

Universal PED Mount for Kiosk

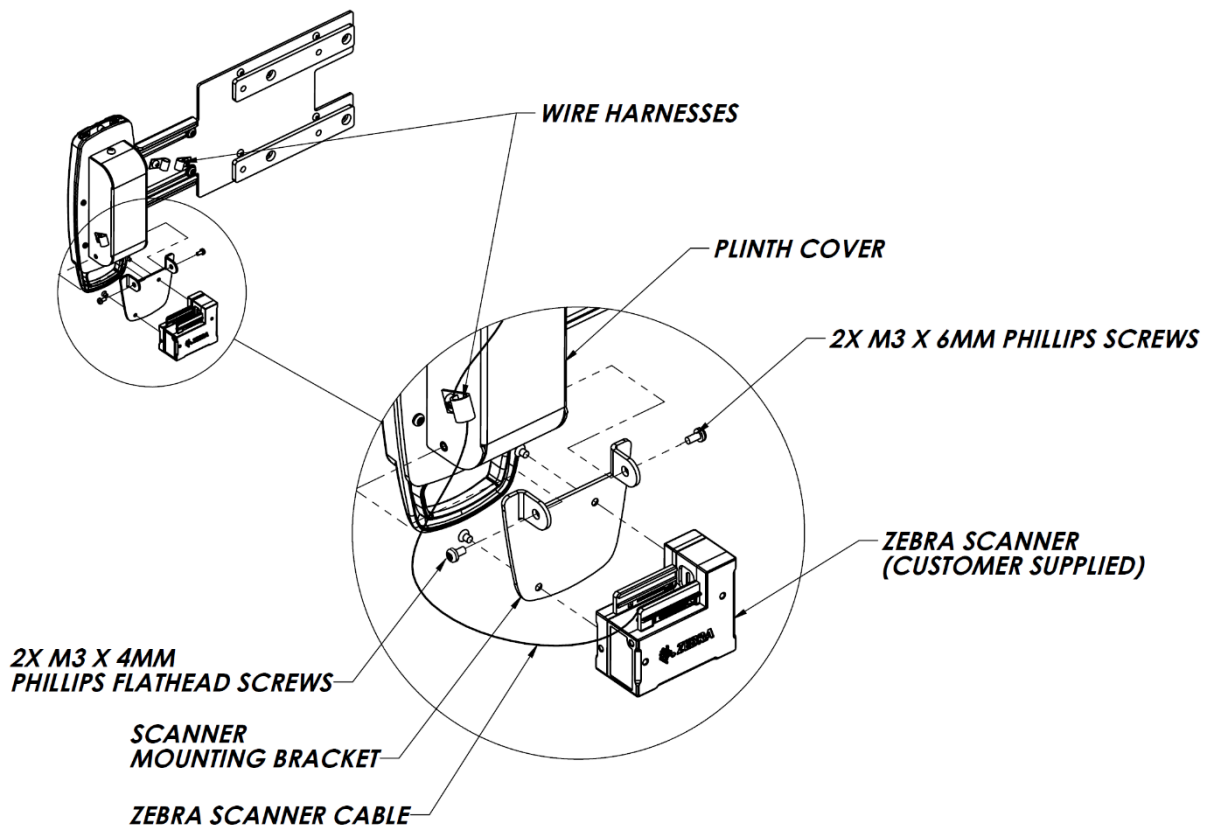
Quick Assembly Guide

Installation on Oracle MICROS Express Station 4 Series and Kiosk 110



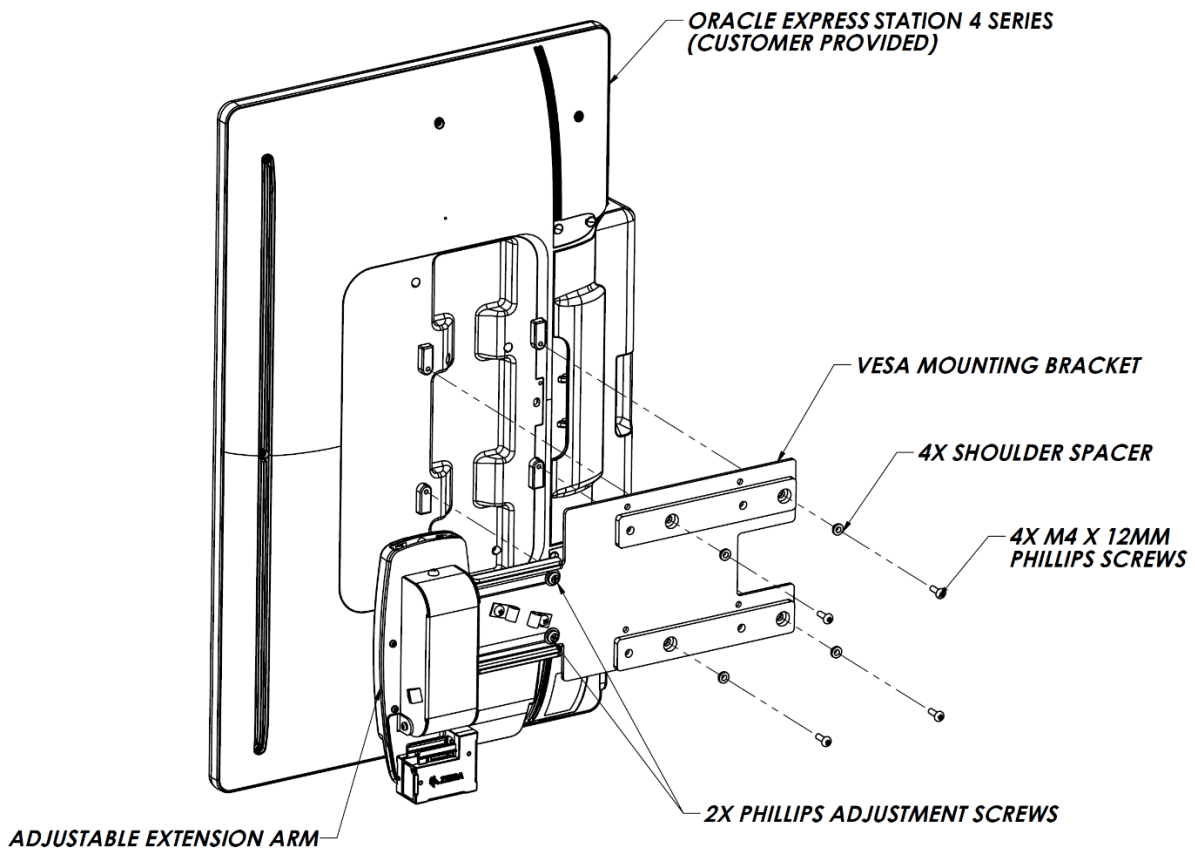
If your installation does not include the optional Zebra scanner, skip steps 1-3.

1. Attach Zebra scanner to scanner mounting bracket and secure using 2x M3 x 4mm Phillips flathead screws.
2. Attach scanner mounting bracket to plinth cover and secure using 2x M3 x 6mm Phillips screws.
3. Route Zebra scanner cable through preinstalled wire harness.



Attaching the optional Zebra scanner to the Universal PED Mount

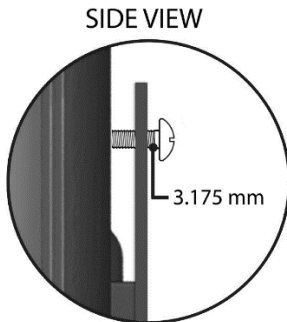
4. Secure VESA mounting bracket to Oracle MICROS Express Station 4 Series using 4x M4 x 12mm Phillips screws and 4x shoulder spacers.
5. Position adjustable extension arm to desired length by loosening 2x Phillips adjustment screws. Tighten when in position.
6. To complete PED installation to the Universal PED Mount, follow adapter plate instructions.
7. Follow instructions included with PED payment mount for kiosk (purchased separately).



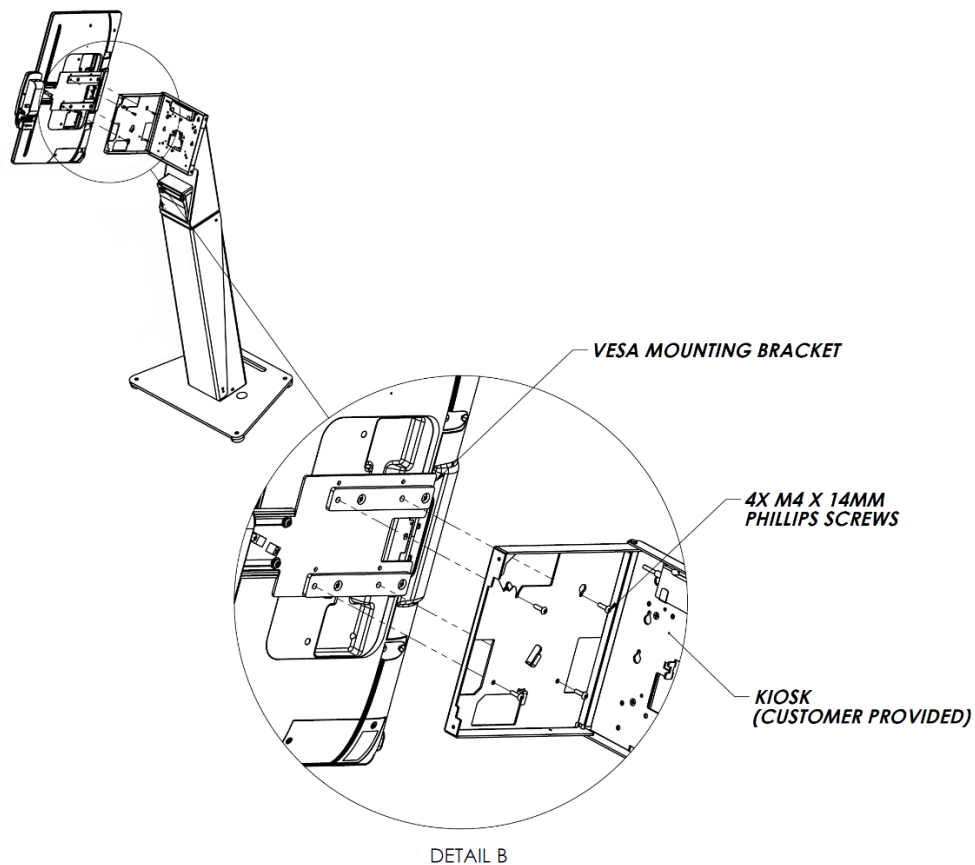
Attaching the Universal PED Mount to the Oracle MICROS Express Station 4 Series

Install the Express Station 4 Series and Universal PED Mount assembly on the Kiosk 110

1. Route all required cables through opening in Kiosk 110 display bracket.
2. Partially install screws in top two holes of VESA mounting bracket, leaving a gap of approximately 3.175mm.

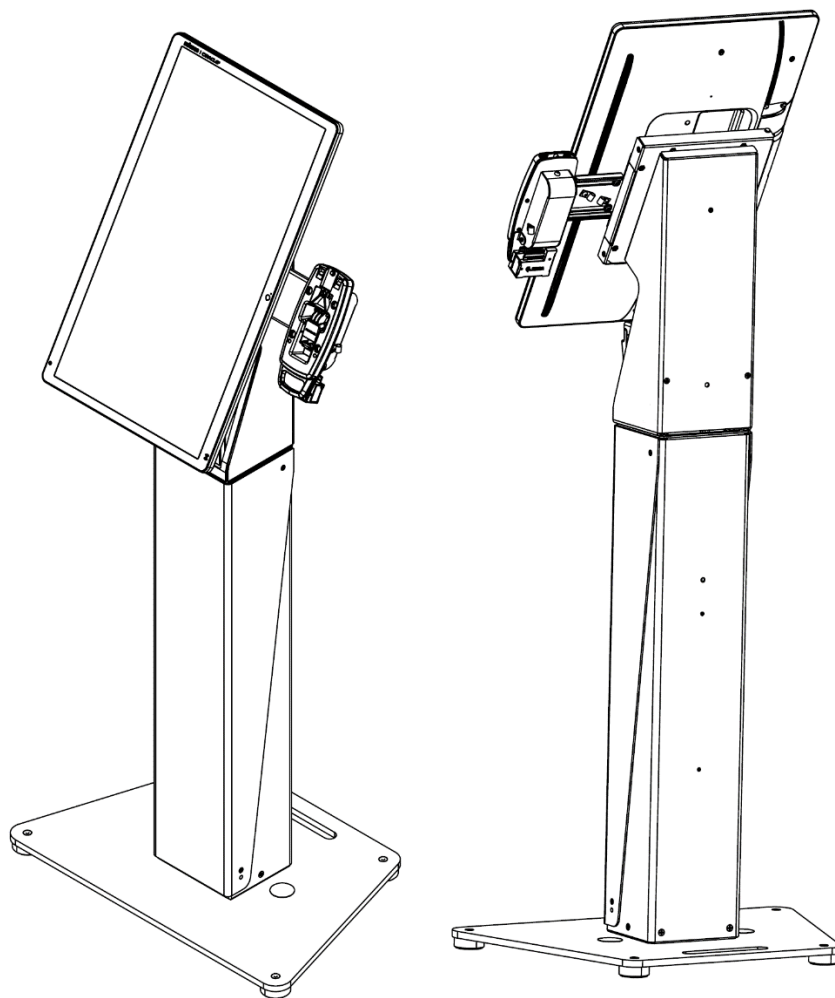


3. Open the Kiosk 110 display bracket. Align the two partially-installed screws on the Universal PED Mount assembly with the top two screw holes on the Kiosk 110 display bracket, and then allow the Universal PED Mount assembly to slide into the bracket slots.
4. Install the remaining two screws in the display bracket, and then tighten all screws.



Installing the Express Station 4 Series and Universal PED Mount assembly on the Kiosk 110

5. Connect required Express Station cables, and then close the display bracket.



Oracle MICROS Express Station 4 Series with Universal PED Mount installed on the Oracle MICROS Kiosk 110

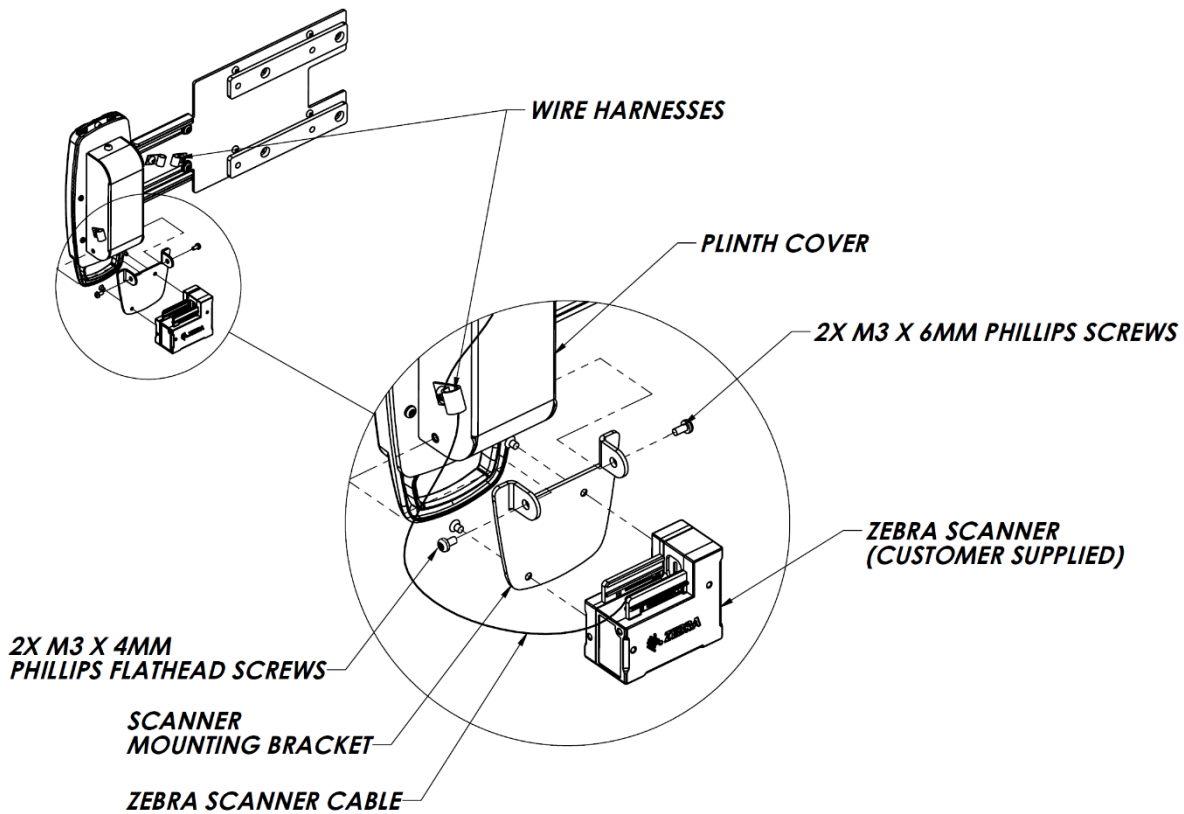
Installation on Oracle MICROS Workstation 6 Series and Kiosk 110



Note

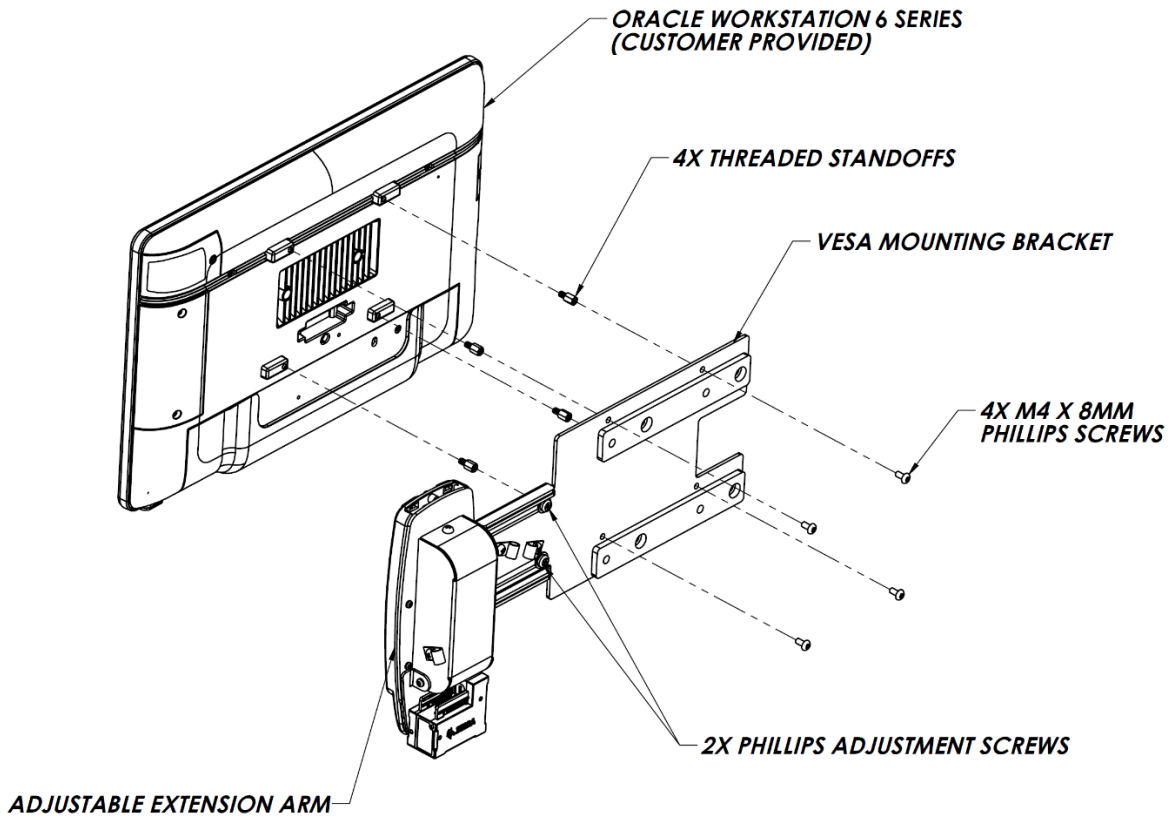
If your installation does not include the optional Zebra scanner, skip steps 1-3.

1. Attach Zebra scanner to scanner mounting bracket and secure using 2x M3 x 4mm Phillips flathead screws.
2. Attach scanner mounting bracket to plinth cover and secure using 2x M3 x 6mm Phillips screws.
3. Route Zebra scanner cable through preinstalled wire harness.



Attaching the optional Zebra scanner to the Universal PED Mount

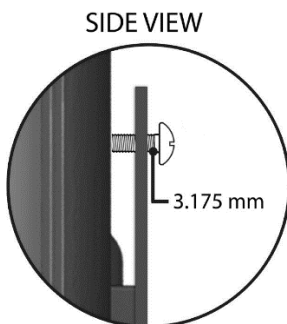
4. Secure VESA mounting bracket to Oracle MICROS Workstation 6 Series using 4x M4 x 12mm Phillips screws and 4x shoulder spacers.
5. Position adjustable extension arm to desired length by loosening 2x Phillips adjustment screws. Tighten when in position.
6. To complete PED installation to the Universal PED Mount, follow adapter plate instructions.



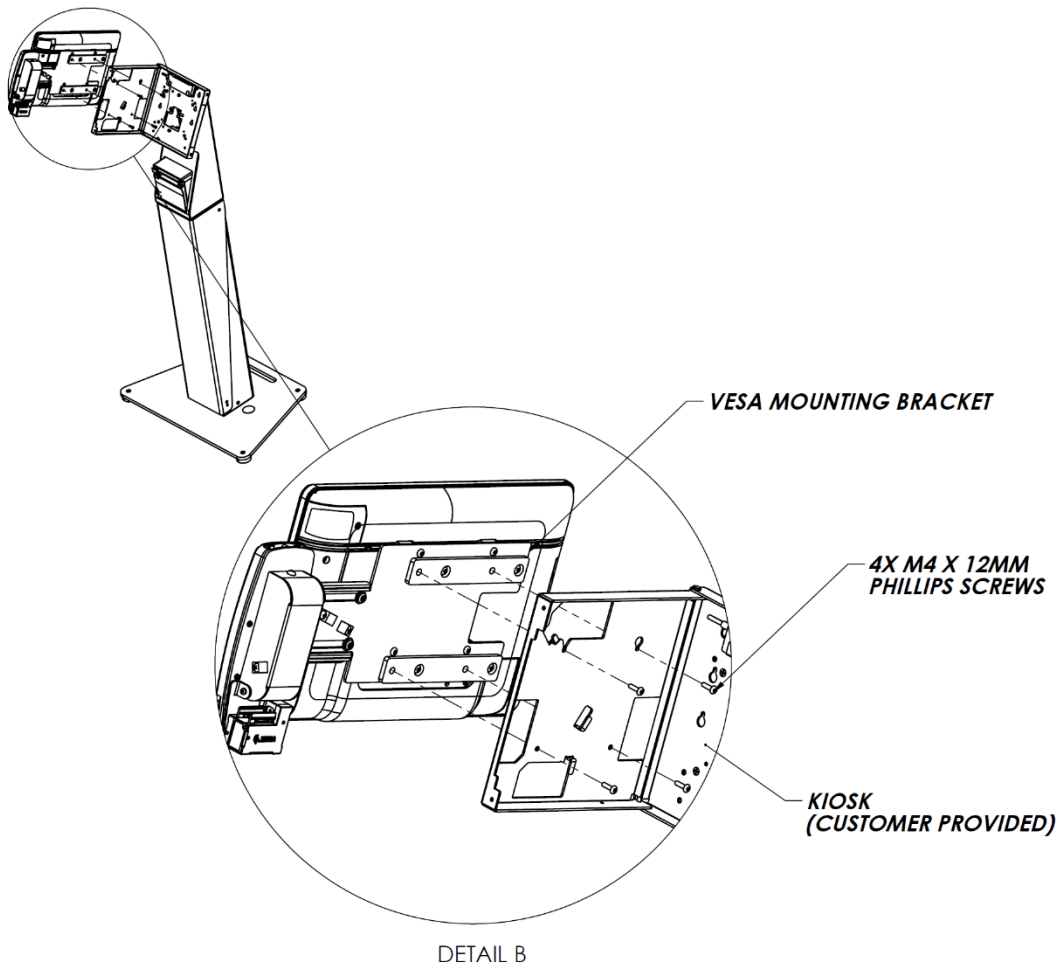
Attaching the Universal PED Mount to the Oracle MICROS Workstation 6 Series

Install the Workstation 6 Series and Universal PED Mount assembly on the Kiosk 110

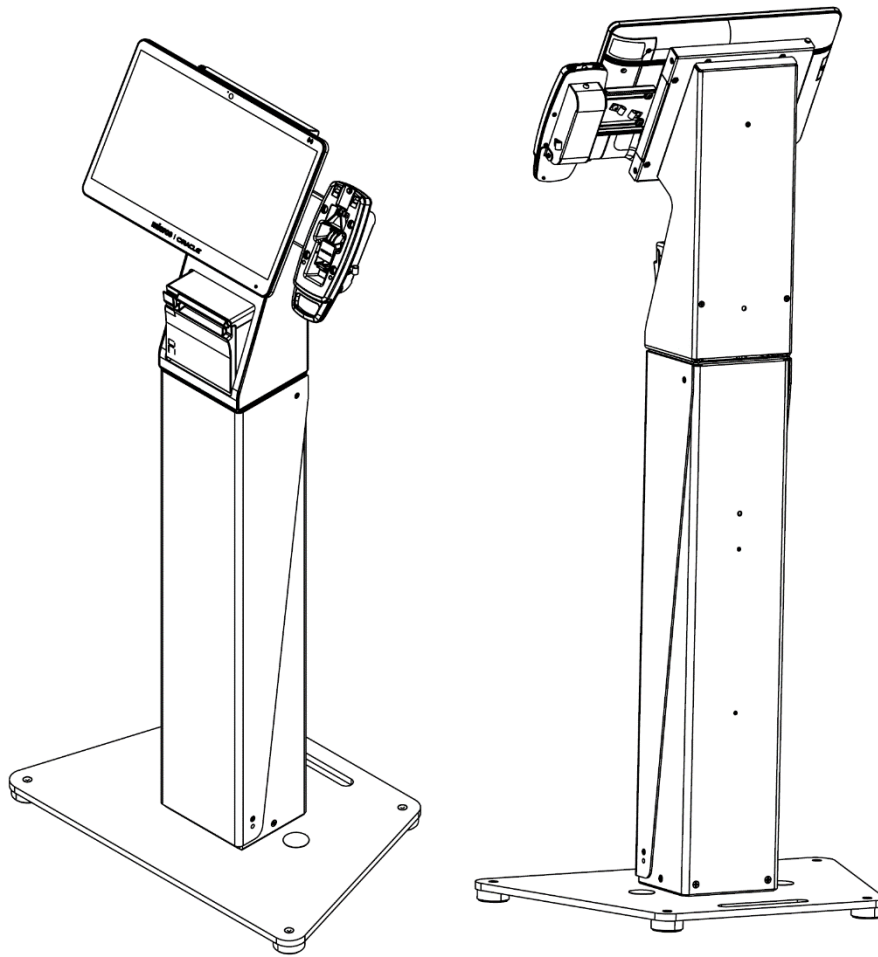
1. Route all required cables through opening in Kiosk 110 display bracket.
2. Partially install screws in top two holes of VESA mounting bracket, leaving a gap of approximately 3.175mm.



3. Open the Kiosk 110 display bracket. Align the two partially-installed screws on the Universal PED Mount assembly with the top two screw holes on the Kiosk 110 display bracket, and then allow the Universal PED Mount assembly to slide into the bracket slots.
4. Install the remaining two screws in the display bracket, and then tighten all screws.
5. Connect required workstation cables, and then close the display bracket.



Installing the Workstation 6 Series and Universal PED Mount assembly on the Kiosk 110



Oracle MICROS Workstation 6 Series with Universal PED Mount installed on the Oracle MICROS Kiosk 110

Oracle Legal Notices

Copyright Notice

Copyright © 2022 Oracle and/or its affiliates.

License Restrictions Warranty/Consequential Damages Disclaimer

This software and related documentation are provided under a license agreement containing restrictions on use and disclosure and are protected by intellectual property laws. Except as expressly permitted in your license agreement or allowed by law, you may not use, copy, reproduce, translate, broadcast, modify, license, transmit, distribute, exhibit, perform, publish, or display any part, in any form, or by any means. Reverse engineering, disassembly, or decompilation of this software, unless required by law for interoperability, is prohibited.

Warranty Disclaimer

The information contained herein is subject to change without notice and is not warranted to be error-free. If you find any errors, please report them to us in writing.

Restricted Rights Notice

If this is software or related documentation that is delivered to the U.S. Government or anyone licensing it on behalf of the U.S. Government, then the following notice is applicable:

U.S. GOVERNMENT END USERS: Oracle programs (including any operating system, integrated software, any programs embedded, installed or activated on delivered hardware, and modifications of such programs) and Oracle computer documentation or other Oracle data delivered to or accessed by U.S. Government end users are "commercial computer software" or "commercial computer software documentation" pursuant to the applicable Federal Acquisition Regulation and agency-specific supplemental regulations. As such, the use, reproduction, duplication, release, display, disclosure, modification, preparation of derivative works, and/or adaptation of i) Oracle programs (including any operating system, integrated software, any programs embedded, installed or activated on delivered hardware, and modifications of such programs), ii) Oracle computer documentation and/or iii) other Oracle data, is subject to the rights and limitations specified in the license contained in the applicable contract. The terms governing the U.S. Government's use of Oracle cloud services are defined by the applicable contract for such services. No other rights are granted to the U.S. Government.

Hazardous Applications Notice

This software or hardware is developed for general use in a variety of information management applications. It is not developed or intended for use in any inherently dangerous applications, including applications that may create a risk of personal injury. If you use this software or hardware in dangerous applications, then you shall be responsible to take all appropriate fail-safe, backup, redundancy, and other measures to ensure its safe use. Oracle Corporation and its affiliates disclaim any liability for any damages caused by use of this software or hardware in dangerous applications.

Trademark Notice

Oracle, Java, and MySQL are registered trademarks of Oracle and/or its affiliates. Other names may be trademarks of their respective owners.

Intel and Intel Inside are trademarks or registered trademarks of Intel Corporation. All SPARC trademarks are used under license and are trademarks or registered trademarks of SPARC International, Inc. AMD, Epyc, and the AMD logo are trademarks or registered trademarks of Advanced Micro Devices. UNIX is a registered trademark of The Open Group.

Third-Party Content, Products, and Services Disclaimer

This software or hardware and documentation may provide access to or information about content, products, and services from third parties. Oracle Corporation and its affiliates are not responsible for and expressly disclaim all warranties of any kind with respect to third-party content, products, and services unless otherwise set forth in an applicable agreement between you and Oracle. Oracle Corporation and its affiliates will not be responsible for any loss, costs, or damages incurred due to your access to or use of third-party content, products, or services, except as set forth in an applicable agreement between you and Oracle.

Documentation Accessibility

For information about Oracle's commitment to accessibility, visit the Oracle Accessibility Program website at <http://www.oracle.com/pls/topic/lookup?ctx=acc&id=docacc>.

Access to Oracle Support

Oracle customers that have purchased support have access to electronic support through My Oracle Support. For information, visit <http://www.oracle.com/pls/topic/lookup?ctx=acc&id=info> or visit <http://www.oracle.com/pls/topic/lookup?ctx=acc&id=trs> if you are hearing impaired.

ORACLE