

Oracle® Communications Unified Inventory Management Concepts



Release 7.5
F46668-01
December 2021



Oracle Communications Unified Inventory Management Concepts, Release 7.5

F46668-01

Copyright © 2009, 2021, Oracle and/or its affiliates.

This software and related documentation are provided under a license agreement containing restrictions on use and disclosure and are protected by intellectual property laws. Except as expressly permitted in your license agreement or allowed by law, you may not use, copy, reproduce, translate, broadcast, modify, license, transmit, distribute, exhibit, perform, publish, or display any part, in any form, or by any means. Reverse engineering, disassembly, or decompilation of this software, unless required by law for interoperability, is prohibited.

The information contained herein is subject to change without notice and is not warranted to be error-free. If you find any errors, please report them to us in writing.

If this is software or related documentation that is delivered to the U.S. Government or anyone licensing it on behalf of the U.S. Government, then the following notice is applicable:

U.S. GOVERNMENT END USERS: Oracle programs (including any operating system, integrated software, any programs embedded, installed or activated on delivered hardware, and modifications of such programs) and Oracle computer documentation or other Oracle data delivered to or accessed by U.S. Government end users are "commercial computer software" or "commercial computer software documentation" pursuant to the applicable Federal Acquisition Regulation and agency-specific supplemental regulations. As such, the use, reproduction, duplication, release, display, disclosure, modification, preparation of derivative works, and/or adaptation of i) Oracle programs (including any operating system, integrated software, any programs embedded, installed or activated on delivered hardware, and modifications of such programs), ii) Oracle computer documentation and/or iii) other Oracle data, is subject to the rights and limitations specified in the license contained in the applicable contract. The terms governing the U.S. Government's use of Oracle cloud services are defined by the applicable contract for such services. No other rights are granted to the U.S. Government.

This software or hardware is developed for general use in a variety of information management applications. It is not developed or intended for use in any inherently dangerous applications, including applications that may create a risk of personal injury. If you use this software or hardware in dangerous applications, then you shall be responsible to take all appropriate fail-safe, backup, redundancy, and other measures to ensure its safe use. Oracle Corporation and its affiliates disclaim any liability for any damages caused by use of this software or hardware in dangerous applications.

Oracle, Java, and MySQL are registered trademarks of Oracle and/or its affiliates. Other names may be trademarks of their respective owners.

Intel and Intel Inside are trademarks or registered trademarks of Intel Corporation. All SPARC trademarks are used under license and are trademarks or registered trademarks of SPARC International, Inc. AMD, Epyc, and the AMD logo are trademarks or registered trademarks of Advanced Micro Devices. UNIX is a registered trademark of The Open Group.

This software or hardware and documentation may provide access to or information about content, products, and services from third parties. Oracle Corporation and its affiliates are not responsible for and expressly disclaim all warranties of any kind with respect to third-party content, products, and services unless otherwise set forth in an applicable agreement between you and Oracle. Oracle Corporation and its affiliates will not be responsible for any loss, costs, or damages incurred due to your access to or use of third-party content, products, or services, except as set forth in an applicable agreement between you and Oracle.

Contents

Preface

Audience	xiv
Documentation Accessibility	xiv
Diversity and Inclusion	xv

1 About Unified Inventory Management

Introducing UIM	1-1
UIM and Service Fulfillment	1-2
UIM and Network Functions Virtualization Orchestration	1-3
UIM System Architecture	1-3
Core Platform	1-4
Functional Modules	1-5
About Entities and Entity Types	1-6
About the UIM Information Model	1-6
Understanding Products and Services	1-7
Understanding Resources	1-8
Understanding Common Business Entities	1-9
Understanding Common Patterns	1-9
Understanding UIM Definitions	1-10
About Specifications, Data Elements, and Characteristics	1-10
About Rulesets	1-12
About Cartridges	1-12

2 UIM User Interface Overview

Opening the UIM User Interface	2-1
Changing Password on First Login	2-1
The UIM Main Window	2-1
Navigation Section	2-2
Pages	2-3
Working with Tables	2-4
Menus	2-4

Using the UIM Help	2-5
--------------------	-----

3 Design Studio Overview

About Design Studio	3-1
About Projects and Cartridges	3-1
Understanding the Design Studio Workbench	3-2
About Views	3-2
About Editors	3-4
Designing Entity Specifications	3-4
Understanding Specification Relationships	3-4
Extending Specifications with Rulesets	3-9
Working with Characteristics	3-9
Characteristic Labels	3-9
Design Studio Specification Example	3-10
Deploying Cartridges into UIM	3-13

4 Life Cycles and Statuses

Resource Life Cycle and Statuses	4-1
Resource Inventory Statuses	4-1
Inventory Statuses for Resources Outside Business Interactions and Work Orders	4-2
Inventory Statuses for Resources in Business Interactions and Work Orders	4-3
Inventory Statuses for Pipes and Connectivities in Business Interactions and Work Orders	4-6
Resource Assignment Statuses	4-9
Telephone Number Assignment Life Cycle and Statuses	4-12
Resource Reference Statuses	4-16
Service Life Cycles and Statuses	4-19
Configuration Life Cycles and Statuses	4-22
Status Examples	4-25
Business Interaction and Engineering Work Order Life Cycles and Statuses	4-27
Project and Activity Life Cycles and Statuses	4-29
Activity Life Cycle and Status	4-30
Activity Item Life Cycle and Statuses	4-31
Change Item Life Cycle and Statuses	4-31
About Impact Items	4-33

5 Core Functionality

Searching	5-1
Searching for Pending Resources	5-3

Searching by Using Web Services	5-3
Configurations	5-4
Understanding Configuration Specifications	5-5
Configuration Example	5-5
Maintaining Configurations in UIM	5-6
About Multiple Pending Configurations	5-6
Adding and Removing Resources	5-7
Inserting a Configuration Version Between Two Others	5-8
Changing the Start Date of a Configuration Version	5-9
Completing a Configuration	5-10
Canceling a Configuration	5-11
Disconnecting a Service with Multiple Pending Configurations	5-12
Capacity	5-13
Defining and Measuring Capacity	5-13
Configuring Measurement Type	5-14
Configuring Units of Measure	5-14
Configuring Capacity Type	5-15
Configuring Capacity	5-15
Configuring Capacity Provided	5-16
Configuring Capacity Required	5-17
Consumption	5-17
Assignment	5-18
About Shared Consumption of Entities	5-19
About Assigning Pending Resources	5-20
Understanding Entity References	5-23
Resource Reservations	5-24
Conditions	5-25
Involvements	5-25
Creating Involvements in UIM	5-26
Topology	5-27
About Topology Nodes	5-27
About Topology Edges	5-28
Topology Example	5-28
Entity Identification	5-31

6 Planning

Business Interactions	6-1
Business Interaction-Enabled Entities	6-2
Understanding the Business Interaction Life Cycle	6-3
Understanding Business Interaction Contexts	6-5

Understanding Activity Contexts	6-6
Understanding Business Interactions with External Systems	6-7
Configuring Business Interaction Specifications	6-7
Working with Business Interactions in UIM	6-8
Deleting Entities in Business Interactions	6-9
About Canvas Diagram in Business Interaction	6-9
Engineering Work Orders	6-10
Creating Engineering Work Orders	6-12
Deleting Engineering Work Orders	6-13
Projects	6-13
Using Projects for Network Maintenance	6-13
Using Projects for Managing Business Interactions and Engineering Work Orders	6-14

7 Managing Workflow

Workflow Overview	7-1
Workflow-Related Specifications in Design Studio and Entities in UIM	7-2
Designing Workflows	7-2
About Activities and Checklists	7-4
Working with Activities in the Activity Summary Page	7-4
Managing Activities	7-5
Assigning Activities	7-5
Updating Workflows	7-5
Adding Activities	7-5
Modifying Dependencies	7-6
Completing and Reopening Activities	7-8
Monitoring Progress	7-8
Associating Resources with Activities	7-9
About Assigned Activities	7-10
Monitoring Activities by Workgroup	7-11
About Email Notification	7-11
Generating a Bill of Material	7-12
Exporting a Bill of Materials to XML	7-13
Workflow Example	7-14
Background	7-14
Planning the Workflow	7-15
Managing the Workflow	7-17
Working On Assigned Activities	7-18
Completing the Engineering Work Orders and the Project	7-18

8 Resource Entity Management

Inventory Groups	8-1
About Inventory Group Types and Resource Pools	8-2
Creating Inventory Groups in UIM	8-2
About Inventory Group Hierarchies	8-2
Network Address Domains	8-2

9 Services

About Services	9-1
Creating a Service and a Service Configuration in UIM	9-1
Service Topology	9-2
About Network-Oriented Services	9-2
High-Level Steps for Creating a Network-Oriented Service	9-3
Automated Validations and Configurations During Network Service Creation	9-5
About Products	9-6

10 Geographic Location

Places	10-1
Geographic Coordinates	10-2
Understanding Location-Type Place Entities	10-2
Location Hierarchy	10-2
Understanding Address-Type Place Entities	10-3
Configuring Address Selections	10-3
Understanding Address Ranges	10-3
Understanding Site-Type Place Entities	10-4
Place Configurations	10-4
Associating Places with Other Entities	10-4
Property Locations	10-5
About Property Addresses	10-5
About Validating Addresses	10-6
About Geographic Coordinates in Property Locations	10-6
About Service Locations	10-7
About Network Locations	10-8
About Network Entities	10-8

11 Equipment and Devices

Understanding Equipment Modeling	11-1
Understanding Logical Devices	11-3

About Logical Device Hierarchies	11-3
Understanding Device Interfaces and Sub-Interfaces	11-4
Associating Rate Codes to Device Interfaces	11-5
About Interface-Bound Cross-Connects	11-6
Cloning and Duplicating Logical Devices	11-6
About Flow Interfaces	11-7
Logical Device Configurations	11-8
Understanding Logical Device Accounts	11-8
About Logical Device Account Configurations	11-8
About Associating Logical Device Accounts with Logical Devices	11-9
Understanding Physical Resources	11-9
Configuring Equipment Specifications	11-10
Understanding the Visualization Tab	11-10
Configuring Equipment Holder Specifications	11-11
Configuring Card Specifications	11-11
Configuring a Shelf Specification	11-12
Configuring a Rack Specification	11-13
Adding Ports and Connectors	11-13
Configuring Physical Port Specifications	11-14
Configuring Physical Connector Specifications	11-14
Manually Configuring Equipment in UIM	11-14
Configuring Physical Device Specifications	11-14
Associating Physical Devices to Logical Devices	11-15
Associating Devices and Equipment with Network Locations	11-16
Associating Logical Devices with Network Locations and Network Entity Locations	11-16
Associating Equipment and Physical Device Entities with Network Locations	11-18
Understanding Network Location Code Propagation	11-18

12 Networks

Understanding Networks	12-1
About Network Technologies	12-2
About Network Types	12-2
About Packet Virtual Networks	12-2
About Service Networks	12-3
About Network Topologies	12-4
SONET and SDH Network Attributes	12-4
Selecting the Ring Type	12-5
Selecting the Protection Type	12-5
Understanding Network Nodes	12-5
Understanding Network Edges	12-7

Limiting the Types of Entities Represented by a Network Edge	12-7
Building Networks in UIM	12-7
Map View	12-9

13 Connectivity Overview

About Connectivity	13-1
About Connectivity Locations	13-3
About Connectivity Technologies	13-3
About Rate Codes	13-4
About Rate Code Compatibility	13-5
About Connectivity Functions	13-5
About Connectivity Identifiers	13-5
Location-Based Connectivity Identifiers	13-6
Service-Based Connectivity Identifiers	13-7
Custom Connectivity Identifiers	13-7
About Termination	13-7
About Connectivity Enablement	13-9
Working with Connectivity Entities in UIM	13-9
Designing Connectivity	13-11
About Connectivity Design Visualizations	13-11
About Design Versions	13-12
About Connectivity Gaps	13-12
Assigning Transport	13-13
About Interconnections	13-15
About Cross-Connects	13-15
About Physical Jumpers	13-16

14 Channelized Connectivity

About Channelized Connectivity	14-1
About Channel Identifiers	14-2
E-Carrier, J-Carrier, and T-Carrier Channel Identifiers	14-2
SONET Channel Identifiers	14-2
SDH Channel Identifiers	14-4
WDM Channel Identifiers	14-4
Terminating Channels	14-4
Device Interfaces and Channel Termination	14-5
About the UIM Signal Architecture	14-10
E-Carrier Signal Architecture	14-10
SONET Signal Architecture	14-11

Wavelength Division Multiplexing Signal Architecture	14-12
Optical Transport Network Signal Architecture	14-13
OTN Example	14-14
Configuring Connectivity Capacity	14-15
Terminating and Enabling a Channelized Connectivity	14-16
About Virtual Connectivity	14-17
Virtual Termination	14-18
Maintaining Channelized Connectivity and Network Resources	14-19
Project Activities Page Overview	14-20
About Change Items and Impact Items	14-20
About Connectivity Design Versions and Grooming and Rehomng	14-22
About Grooming	14-22
Grooming Scenario: Inter-Facility	14-23
Grooming Scenario: Intra-Facility Grooming for Ethernet Over SDH	14-24
Grooming Scenario: 2:2 Inter-Facility	14-27
About the Grooming User Interface	14-28
About Rehomng	14-28
About the Rehomng User Interface	14-31
Inserting and Removing Nodes in Networks	14-32
Node Insertion User Interface Overview	14-35
Node Removal User Interface Overview	14-37

15 Packet Connectivity

About Packet Connectivity	15-1
About Flow Identifiers	15-1
Assigning Flow Identifiers to Connectivities and Connectivity Segments	15-2
Q-in-Q Stacking	15-3
VLAN ID Translation	15-3
Performance Parameters	15-4
Enabling Packet Connectivity	15-4
Enabling Packet Connectivity with Channelized Connectivity	15-4
Enabling Packet Connectivity with Packet Connectivity	15-5
Packet-Over-Packet Termination Rules	15-5
Packet Enablement Scenarios	15-6
Ethernet Packet Connectivity Enabled by Ethernet Packet Connectivity	15-6
UNI Connectivity Enabled by T-Carrier Channels	15-10
INNI Connectivity Enabled by SDH Channels	15-11
SDH Network Infrastructure	15-12
Creating and Designing the INNI Connectivity	15-13

16 Service Connectivity

About Service Connectivity	16-1
Service Connectivity Examples	16-1
Service Configuration-Controlled Service Connectivities	16-3
Service Connectivity in Multipoint Services	16-4
Service Connectivities in Point-to-Point Services	16-5

17 Pipes

When to Use Pipes	17-1
Understanding Pipes	17-2
Understanding Pipe Relationships	17-3
Provides Relationships	17-3
Enables Relationships	17-4
Provides and Enables Relationships in Combination	17-4
About Multiple Enablement	17-5
Trail Pipes and Connection Pipes	17-7
Understanding Pipe Configurations	17-9
Understanding Pipe Directionality	17-10
About Connectivity Gaps in Pipe Enablement	17-11
Understanding Capacity and Signal Structure	17-11
Understanding Packet Capacity	17-12
Understanding Signal Structures	17-12
Simple and Complex Signal Structures	17-13
Modeling Connectivity in Design Studio and UIM	17-17
Defining Pipe Specifications	17-17
Creating Pipe Entities in UIM	17-18
Understanding Pipe Models	17-19
Cable/Pair Model	17-19
Packet Facility Model	17-19
TDM Facility Model	17-20
Designing and Implementing Pipe Configurations	17-20
Defining Pipe Configuration Specifications	17-21
Implementing Pipe Configurations in UIM	17-22
Configuring and Implementing Pipe Termination	17-23
Configuring and Implementing Child Pipes for the Cable/Pair Model	17-24
About Pipe Termination and Rate Codes	17-25
Configuring Pipe Capacity	17-25
Configuring Capacity for Packet Facility Pipes	17-25
Configuring Capacity with Signal Structures	17-26
Changing the Capacity of Existing Pipes	17-29

Enabling Pipes	17-30
Enabling Pipes Manually	17-30
Enabling Pipes Automatically with Path Analysis	17-30
About Path Analysis Criteria	17-32
About Path Analysis Results	17-34
Understanding Path Analysis Modes	17-34
Viewing Enablement Information	17-34
Viewing a Pipe Enablement Visualization	17-35
About Grooming and Rehomeing Pipes	17-36

18 IP Address Management

Understanding IP Address Management	18-1
About Partitioning IP Address Space	18-3
About Joining IP Subnets	18-4
About Managing IP Addresses	18-4
About Creating IP Networks	18-5
Specifying a Network Name	18-6
Specifying an IP Address	18-6
Specifying an IP Domain	18-6
Specifying a Network Owner	18-6
About IPv6 Address Types	18-6
About Creating IP Addresses	18-7

19 Roles

About Roles	19-1
About Role Types	19-2
Auto-Creating Roles in UIM	19-2
About Role Specifications and Entity Types	19-2
Adding Characteristics to a Role Specification	19-2
About Network Targets	19-3

20 Telephone Numbers

About Assigning Telephone Numbers to Services	20-1
Managing Geographies and Specialized Numbers	20-1
About Telephone Number Formats	20-2
Managing Telephone Number Blocks	20-3
Telephone Number Aging	20-4
Organizing Telephone Numbers	20-4
Telephone Number Portability	20-5

Reserving and Redeeming Telephone Numbers	20-5
Telephone Number Reporting	20-6

21 Custom Resources

About Custom Network Addresses	21-1
Custom Objects	21-1

22 Parties

About Parties	22-1
---------------	------

23 Media Streams

About Media Streams	23-1
---------------------	------

Glossary

Preface

This guide explains how to use Oracle Communications Unified Inventory Management (UIM) to manage your telecommunications inventory. Because you use Design Studio to define the structure used to model your inventory, this guide includes information about using inventory-related features in that application.

This guide provides a conceptual understanding of UIM. For detailed steps on how to perform specific tasks see the Design Studio Help and the UIM Help.

Audience

There are multiple audiences for this guide. Some users can be responsible for doing tasks that involve using both the Design Studio and UIM applications. The audience should be knowledgeable about their company's business processes, the resources they need to model, and any products or services they offer.

- **Equipment engineers:** They are responsible for creating equipment specifications and modeling equipment in UIM.
- **Network design engineers:** They are responsible for creating capacity, connections, and network specifications, and using those inventory specifications to build out connections and networks.
- **Service designers:** They are responsible for creating service specifications and building out services.
- **Customer service representatives:** They are responsible for entering or tracking workflow.
- **Developers:** They are responsible for extending the application.

Documentation Accessibility

For information about Oracle's commitment to accessibility, visit the Oracle Accessibility Program website at <http://www.oracle.com/pls/topic/lookup?ctx=acc&id=docacc>.

Access to Oracle Support

Oracle customers that have purchased support have access to electronic support through My Oracle Support. For information, visit <http://www.oracle.com/pls/topic/lookup?ctx=acc&id=info> or visit <http://www.oracle.com/pls/topic/lookup?ctx=acc&id=trs> if you are hearing impaired.

Diversity and Inclusion

Oracle is fully committed to diversity and inclusion. Oracle respects and values having a diverse workforce that increases thought leadership and innovation. As part of our initiative to build a more inclusive culture that positively impacts our employees, customers, and partners, we are working to remove insensitive terms from our products and documentation. We are also mindful of the necessity to maintain compatibility with our customers' existing technologies and the need to ensure continuity of service as Oracle's offerings and industry standards evolve. Because of these technical constraints, our effort to remove insensitive terms is ongoing and will take time and external cooperation.

1

About Unified Inventory Management

This chapter introduces Oracle Communications Unified Inventory Management (UIM) and provides an overview of its capabilities. The chapter also describes the UIM system architecture and the information model.

Introducing UIM

UIM is a standards-based telecommunications inventory management application that enables you to model and manage customers, services, and resources. UIM supports complex business relationships and provides full life-cycle management of services and resources.

UIM provides you with a real-time, unified view of customer, service, and resource inventory, enabling you to develop and introduce new services more quickly and more cost effectively.

UIM is modular and flexible, so it can replace existing inventory systems or work cooperatively with them. UIM allows access to its service and network asset data through cooperation with a carrier's other systems.

Through integration with other Oracle Communications applications and third-party systems, UIM plays a vital role in service fulfillment. See "[UIM and Service Fulfillment](#)" for more information.

UIM's inventory management capabilities include:

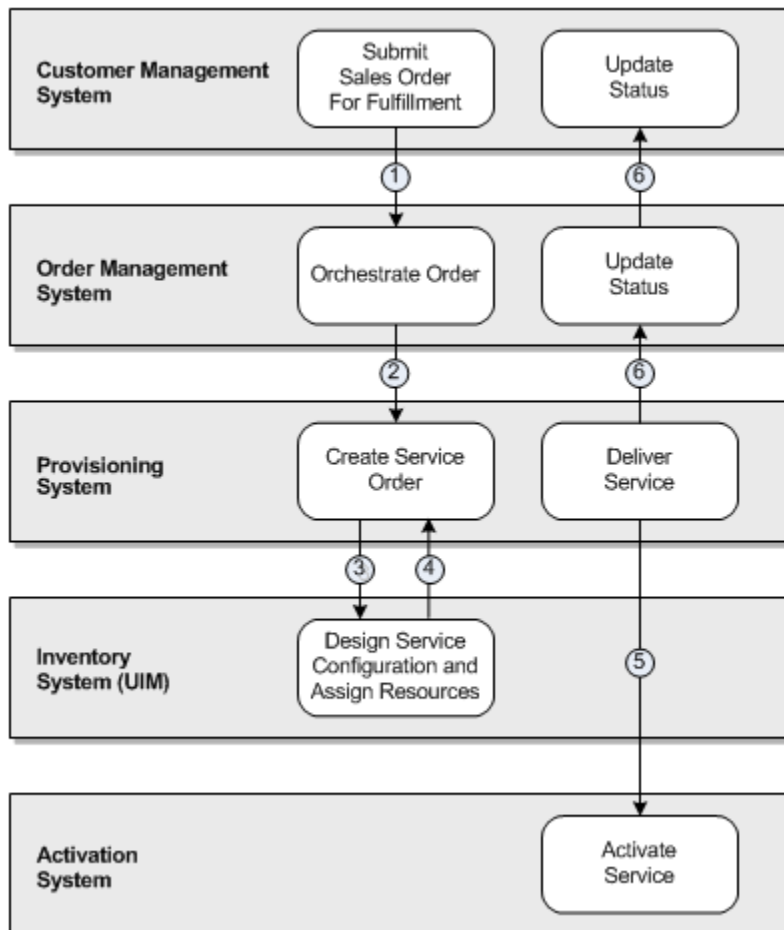
- **Managing physical and logical resources.** You can model and manage hardware resources such as racks, shelves, cards, ports, and connectors. UIM also enables you to model and manage logical resources such as network addresses, media streams, and telephone numbers.
- **Managing connectivity.** Connectivity is the ability to transfer information to and from devices and locations. In UIM, you model connectivity by representing physical and logical resources, the connections between those resources, the capacity of the resources, and the locations of the resources.
- **Managing networks and topology.** You can use UIM to model networks logically and to associate resources to network nodes. You can specify the capacity of networks by associating them with your connectivity model. Topology features enable you to design and manage networks graphically and by using maps.
- **Managing services.** UIM provides support for services and service fulfillment. You can configure services with resources and update those configurations over time.
- **Managing life cycles.** UIM manages the life cycles of resources and services as they are planned, placed in service, and retired. Different kinds of entities have different life cycles corresponding to how they are used in the inventory.
- **Managing business processes.** UIM supports your business processes by providing features for planning and resource management. For example, you can use business interactions to plan activities such as service fulfillment or equipment buildouts.

UIM and Service Fulfillment

Service fulfillment is the process of provisioning services ordered by customers. UIM plays a vital role in this process by defining the configuration of services and assigning resources to them. UIM works cooperatively with other Oracle Communications applications and with third-party systems.

Figure 1-1 shows the provisioning flow of a typical service order involving UIM and other external applications.

Figure 1-1 Provisioning Flow for a Typical Service Order



1. A customer relationship management system, such as Siebel CRM, captures order information and submits a sales order to an order management system, such as Oracle Communications Order and Service Management (OSM).
2. The order management system creates an orchestration plan to determine how the order is to be provisioned.

The orchestration plan determines which downstream systems, including provisioning, inventory, and activation systems, are affected by the order. The order management system sends the appropriate data to these systems. Downstream systems receive only the sales order data that affects them. For

example, the order management system sends only the line items that require provisioning to a provisioning system.

3. A provisioning system transforms product actions into service actions and sends service fulfillment data to UIM by using web services.
4. Using the input from the provisioning system, UIM creates a service and designs the service configuration with the resource assignments and other information necessary to activate the service. UIM returns the service configuration information to the provisioning system.
5. The provisioning system uses the information returned from UIM to calculate and execute a delivery plan, then interacts with an activation system to submit an activation order.
6. As services are provisioned, the provisioning system sends status updates upstream to the CRM system. The provisioning system also updates UIM via web services so that the life-cycle statuses of the appropriate business interactions, work orders, services, service configurations, and resources can be updated.

UIM and Network Functions Virtualization Orchestration

UIM includes an optional Network Functions Virtualization (NFV) Orchestration capability for run-time orchestration of NFV environments, including virtual, physical, and hybrid networks. NFV Orchestration takes advantage of UIM's inventory and workflow capabilities. NFV Orchestration functionality shares the Oracle Communications Information Model (OCIM) used by UIM.

NFV Orchestration is extensible and allows integration with third-party Virtual Network Function (VNF) managers, Virtualized Infrastructure Managers (VIMs), software-defined networking (SDN) controllers, and monitoring engines.

See *UIM NFV Orchestration Implementation Guide* for information about this capability.

UIM System Architecture

UIM is a modular application. You can purchase and install only the modules that you need. For example, if you are providing a VoIP solution, you can install a different set of modules than someone providing a VPN service.

UIM comprises two main groups of components:

- **Core Platform.** The core platform provides basic capabilities such as APIs and data storage. It also provides functionality used throughout the application, such as life-cycle management and capacity management. The core platform is required and is supplied with the purchase of any functional module.
- **Functional Modules.** Functional modules provide the capability to manage different kinds of inventory, such as devices or telephone numbers. You can purchase only the modules required by your business.

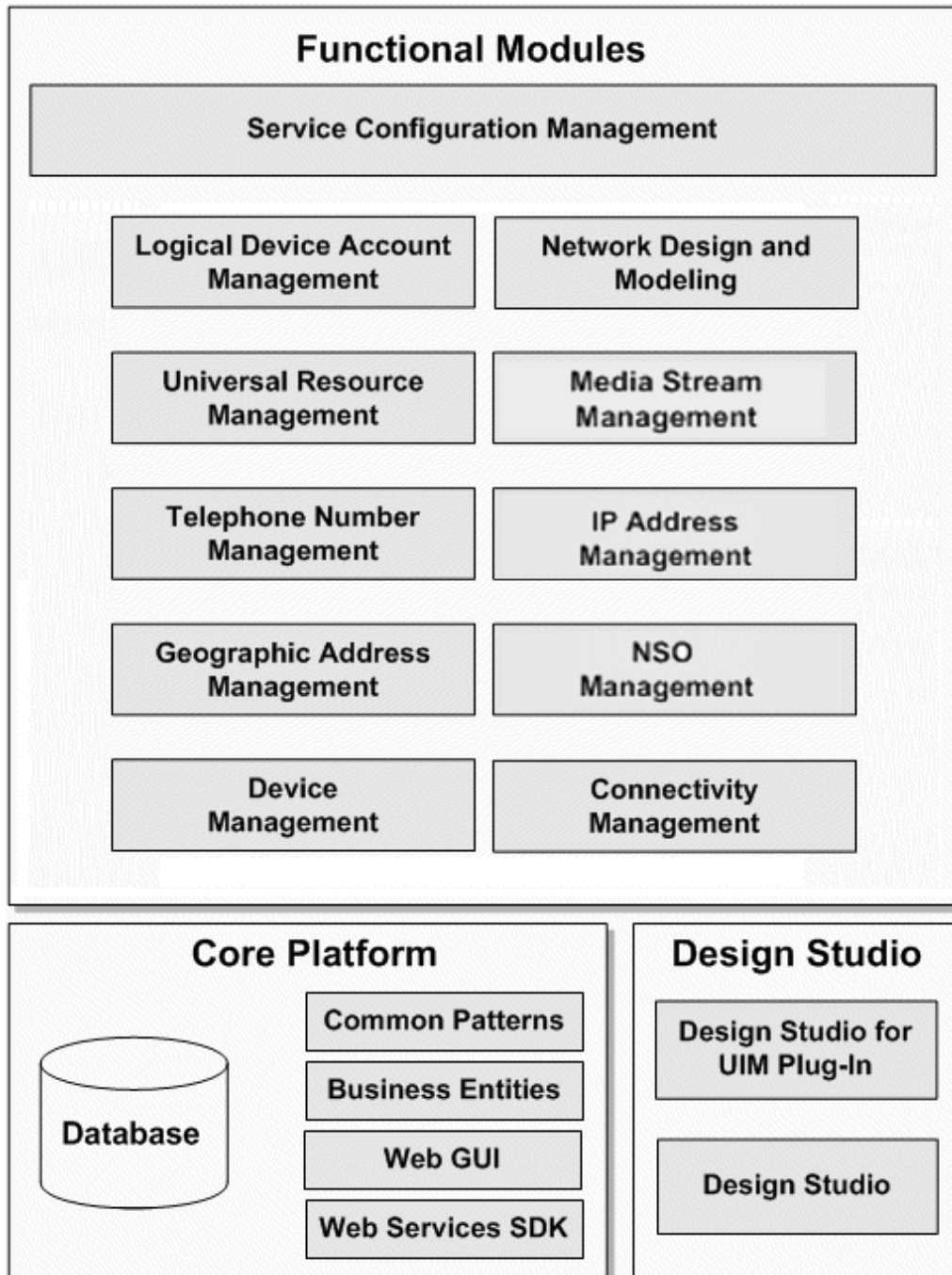
Oracle Communications Design Studio is not part of UIM, but it plays a vital role in designing content for the application. A Design Studio for UIM plug-in provides application-specific capabilities. See "[Design Studio Overview](#)" for more information about Design Studio.

[Figure 1-2](#) illustrates these components and their contents. The components are discussed in more detail in the sections that follow.

UIM is hosted by Oracle WebLogic Server. WebLogic Server supports several different application configurations, including single server, clustered servers, and Oracle RAC (Real

Application Cluster). See *UIM Installation Guide* and *UIM System Administrator's Guide* for more information.

Figure 1-2 UIM System Architecture



Core Platform

The core platform is the architectural framework of UIM. It is required and is supplied with the purchase of any functional module. The core platform provides:

- Data storage. The core platform manages the storage of both model data and entity data in the Oracle DBMS. See *UIM Installation Guide* and *UIM System Administrator's Guide* for more information.
- Web-based user interface. Users access the application through a web-based interface. The UIM interface can be extended with custom pages, fields, and code. See "[UIM User Interface Overview](#)" and the UIM Help for information about using UIM through the graphical interface. See *UIM Developer's Guide* for information about extending the interface.
- Web services. External systems can interact with UIM by using web services that provide access to UIM APIs. For example, an order management system can pass order data into UIM by using web services. A selection of web services is available by default, but you can write custom code to create new ones. See *UIM Web Services Developer's Guide* for more information.
- Common patterns that enable core functionality. See "[Understanding Common Patterns](#)" for more information.
- Common business entities. These entities enable you to manage resources and services and to define relationships among them. See "[Understanding Common Business Entities](#)" for more information.

Functional Modules

UIM functional modules manage the end-to-end life cycle of services, logical resources, and physical resources. You can purchase only the modules that your business requires.

Each module supplies content to address a specific need. For example, the Device Management functional module includes support for creating and working with devices and equipment in your inventory. Both physical and logical resources are included.



Note:

Common business entities, such as business interactions, inventory groups, parties, roles, conditions, and reservations, are supplied by the core platform rather than functional modules.

[Table 1-1](#) lists the functional modules and the entities that they support. See "[About Entities and Entity Types](#)" for more information about entities.

Table 1-1 UIM Functional Modules

Functional Module	Entity Types
Service Configuration Management	Service, Service Configuration, Product
Connectivity Management	Connectivity, Pipe, Pipe Termination Point, Pipe Configuration
Device Management	Physical Port, Physical Connector, Physical Device, Equipment, Equipment Holder Logical Device, Logical Device Configuration, Device Interface, Topology Node, Topology Edge
Geographic Address Management	Place (including Location, Site, Address, and Address Range), Place Configuration

Table 1-1 (Cont.) UIM Functional Modules

Functional Module	Entity Types
IP Address Management	IP Networks, IP Subnets, IP Addresses
Media Stream Management	Media Stream
Telephone Number Management	Telephone Number
Universal Resource Management	Custom Object, Custom Involvement, Flow Identifier
Logical Device Account Management	Logical Device Account
Network Design and Modeling	Network, Network Node, Network Edge, Network Configuration, Custom Network Addresses
NSO Management	Enables the lifecycle management of Network Services and Virtual Network Functions (VNFs) running on a virtualized network infrastructure. Includes the ability to allocate resources to those Network Services and VNFs.

About Entities and Entity Types

Understanding entities is fundamental to understanding how you use UIM. UIM entities represent logical and physical items that are inventoried, such as networks, logical devices, telephone numbers, and services. They also represent items that are used for categorizing, grouping, or managing other entities. Examples of these kinds of entities include reservations, business interactions, and inventory groups.

UIM includes a number of different *entity types* that correspond to the various categories of items in your inventory and how you manage them. For example, there is a Network entity type, a Logical Device entity type, a Service entity type, and so on.

An individual entity is an occurrence or instance of an entity type, such as a specific network, logical device, or service.

Entities are usually based on specifications that define their basic structure. There are different specification types corresponding to the entity types. See "[About Specifications, Data Elements, and Characteristics](#)" for more information.

See "[About the UIM Information Model](#)" for more information about the different kinds of entities available in UIM.

About the UIM Information Model

This section explains the fundamentals of the information model that UIM uses to represent your inventory and business practices. The UIM information model is an extension of the Oracle Communications Information Model. The Oracle Communications Information Model is based on industry standards, such as the Shared Information/Data (SID) model and OSS through Java (OSS/J) developed by the Telemanagement Forum. Oracle is an active participant in the development and evolution of these standards.

Adherence to industry standards makes it possible for UIM to model inventories and business practices without regard to the specifics of the telecommunications environment, its services, or its resources. The use of industry standards also promotes more efficient software development, deployment, and integration.

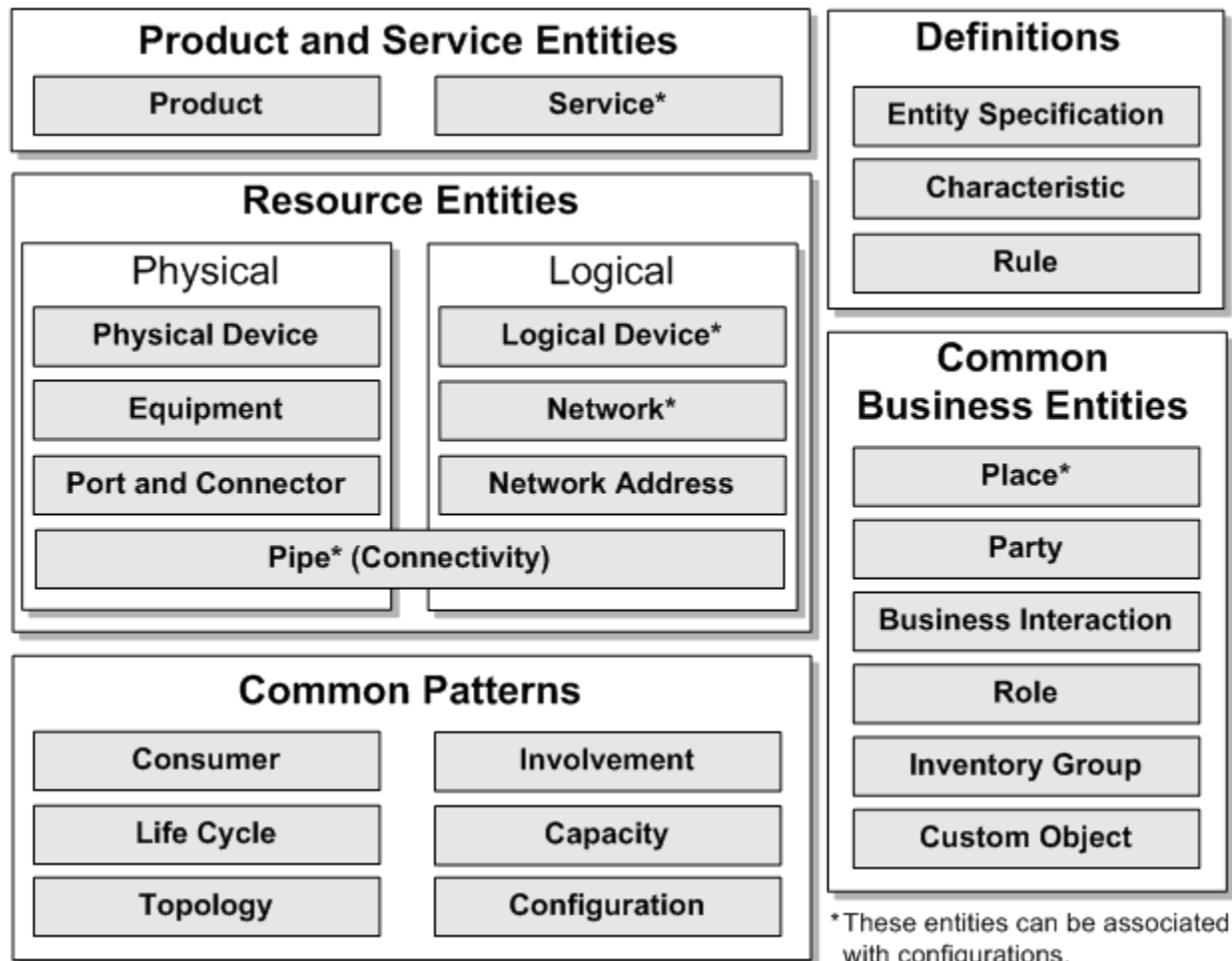
For more information about the Telemangement Forum and its standards, see their website:

<http://www.tmforum.org>

For specific, technical details, about the Oracle Communications Information Model and the UIM information model, see *Oracle Communications Information Model Reference* and *UIM Information Model Reference*.

Figure 1-3 provides a simplified view of the Information Model and what it contains. Some elements are omitted for clarity. See the following sections for information about each of the categories in the model.

Figure 1-3 UIM Information Model



Understanding Products and Services

Products are entities that represent the items that your business sells. For example, you might sell wireless phones or online movies.

Because UIM is primarily concerned with inventory, it emphasizes services. Product entities are included in UIM for backward compatibility with customized solutions that require mapping services to corresponding products. The UIM navigation section does not include a **Product** link unless the user is authorized to access the Product Search page. Access is

turned off by default. See *UIM System Administrator's Guide* for information about authorizing user access.

Service entities represent the ways that products are delivered to your customers. For example, if you sell a wireless telephony product, the customer receives a wireless service that you provision.

See "[Services](#)" for more information.

Understanding Resources

Resources are entities that enable the delivery of services. Broadly speaking, they are the entities that constitute your inventory. They can be physical objects, such as network cards or fiber-optic cables. They can also be logical resources, such as service trails or network addresses.

You often assign resources to service configurations to specify how a service is realized in your network. For example, if you configure a VoIP service for a customer, you need to assign resources such as an IP phone, a telephone number, an IP address, a voice mail account, and a VoIP user account.

[Table 1-2](#) lists the UIM resource entity types and provides links to the sections where they are discussed in greater detail.

Table 1-2 UIM Resource Entities

Entity Type	For More Information
Connectivity	About Connectivity
Custom Network Address	About Custom Network Addresses
Custom Object	Custom Objects
Device Interface	Understanding Device Interfaces and Sub-Interfaces
Equipment	Understanding Equipment Modeling
Equipment Holder	Configuring Equipment Holder Specifications
Flow Identifier	About Flow Identifiers
IPv6 IPv4	IP Address Management
Logical Device and Logical Device Configuration	Understanding Logical Devices
Logical Device Account	Understanding Logical Device Accounts
Media Stream	About Media Streams
Network and Network Configuration	Understanding Networks
Network Edge	Understanding Network Nodes
Network Node	Understanding Network Edges
Physical Connector	Adding Ports and Connectors
Physical Device	Understanding Physical Resources
Physical Port	Adding Ports and Connectors
Pipe and Pipe Configuration	Understanding Pipes

Table 1-2 (Cont.) UIM Resource Entities

Entity Type	For More Information
Pipe Termination Point	Configuring and Implementing Pipe Termination
Signal Termination Point	Understanding Signal Structures
Telephone Number	Telephone Numbers

Understanding Common Business Entities

Common business entities do not represent items in your inventory. Rather, they represent relationships between or aspects of those items. They are, nevertheless, entities that have specifications that you define in Design Studio.

[Table 1-3](#) lists the UIM common business entities and provides links to the sections where they are discussed in greater detail.

Table 1-3 UIM Common Business Entity Types

Entity Type	For More Information
Business Interaction	Business Interactions Engineering Work Orders
Custom Object	Custom Objects
Inventory Group	Inventory Groups
Network Domain	Network Address Domains
Party	About Parties
Place, Place Configuration	Places
Property Location	Property Locations
Role	About Roles

Understanding Common Patterns

Core functionality that applies throughout UIM is enabled by common patterns. In some cases, entities are associated with these patterns. For example, there are several entities that you use to define and manage capacity.

These are the UIM common patterns:

- Capacity management. You can track bandwidth consumption and requirements in your network. See "[Capacity](#)" for more information.
- Consumption, including the ability to consume, assign, and refer to resources. You can also reserve resources to ensure that they are available when needed and apply conditions that limit access to them. See "[Consumption](#)" for more information.
- Topology. UIM manages the geographical and logical topology of your network. The application provides graphical tools and maps for visualizing and managing the topology. See "[Topology](#)" for more information.

- Life-cycle management. UIM entities transition through life cycles that indicate their status in the inventory. Some transitions are manual; others occur automatically. See "[Life Cycles and Statuses](#)" for more information.
- Configuration. Some entities can be associated with configurations, making it possible to maintain versionable collections of information about how the entity is designed and realized. See "[Configurations](#)" for more information.
- Involvement. You can define custom involvements to associate entities that are not associated in other ways. See "[Involvements](#)" for more information.

Understanding UIM Definitions

In Design Studio, you define artifacts that you use to model and manage your inventory. Design Studio artifacts include specifications, data elements, characteristics, and rulesets, among others.

About Specifications, Data Elements, and Characteristics

A specification is a blueprint that determines the information that you store about a particular group of entities within an entity type. For example, you can define Logical Device specifications for Cisco 2811 routers and Juniper M7i routers.

Data elements in specifications define the items of information you store about entities. All specifications for a particular entity type share a default set of data elements, but each individual specification can include custom data elements appropriate to that group of entities. These custom data elements are called characteristics. For example, all Logical Device specifications include a default set of data elements, but each particular Logical Device specification can include unique characteristics.

Characteristics can be shared by any number of specifications. For example, if you define a Postal Code characteristic, you can reuse it in any number of Address specifications (or any other specifications where it might be appropriate). Characteristics can even be shared with other Oracle Communications applications to ensure data uniformity.

You define specifications and characteristics in Design Studio. After you have defined specifications and characteristics in Design Studio, you deploy them into UIM, where you use them to create entities. You can also view specifications and characteristics in UIM in read-only mode.



Note:

A default data element from one specification can be reused in a specification that does not include it by default. In this case, the data element is tagged as a characteristic and becomes visible in UIM. Default data elements are visible only as part of specifications in UIM.

In UIM, you create entities based on the specifications defined in Design Studio. For example, if you have a Cisco 2811 specification, you can create an entity based on the specification for each router of that model in your inventory. Each entity includes unique information, such as name, ID, serial number, location, configuration details, and so on.

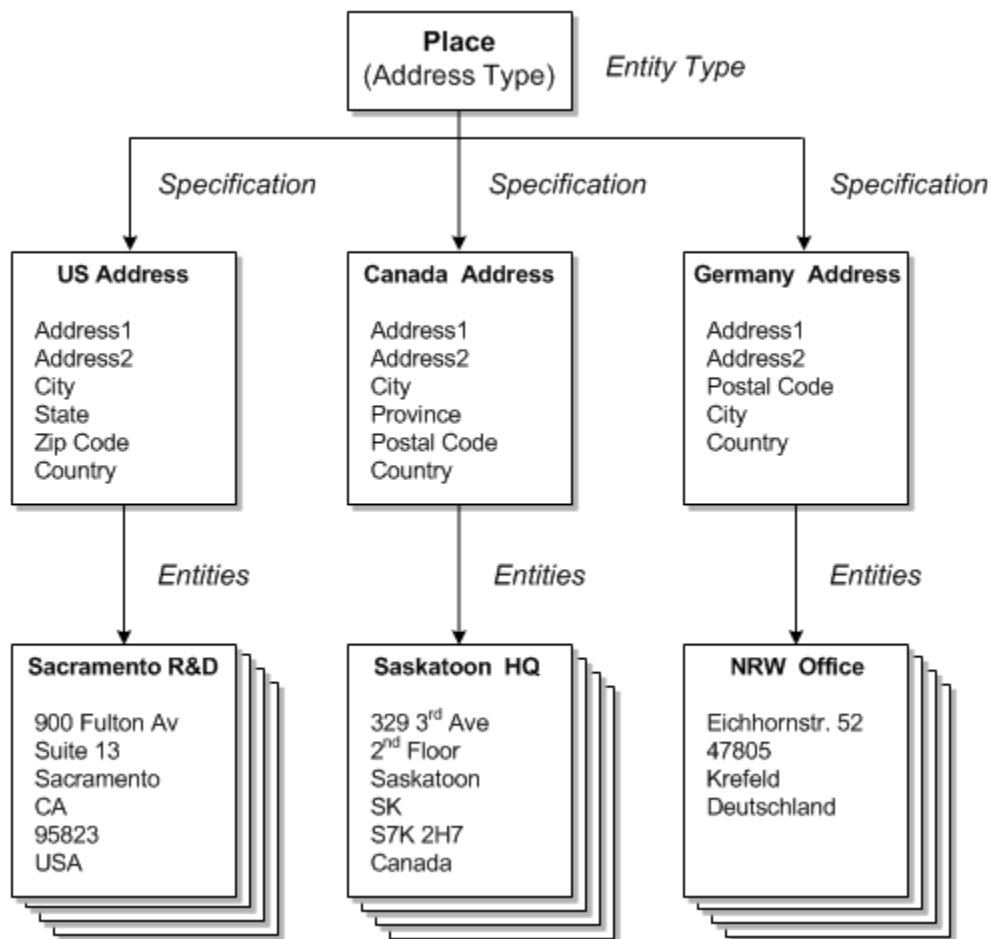
 **Note:**

You can create entities of some types without using specifications. Using specifications is more common, however, and is also a good business practice because it ensures uniformity among entities.

Figure 1-4 shows a simple example of the relationship between the entity type, specifications based on the type, and entities created from the specifications.

In this example, the entity type is Place. There are several subtypes of Place entities, including Address, as in this case. Three different specifications have been defined for three different countries. Each specification is somewhat different, reflecting different postal conventions. But several characteristics (Address1, Address2, City, and so on) are shared among all three. Multiple entities have been created from each specification for places in the three countries.

Figure 1-4 Specifications and Entities



About Rulesets

You use rulesets to modify or extend UIM functionality dynamically. Rulesets define one or more business rules that are executed at a particular point, such as when a page opens or an action is taken. For example, you can use rulesets to validate that entities have been configured correctly or to format data appropriately for your business. You could also write a ruleset to automatically configure a service upon creation. You can define rulesets that apply globally or that are unique to a particular specification. See *UIM Developer's Guide* for more information.

UIM includes default rulesets that you can modify, but you can also define your own. You use Design Studio to define rulesets and to associate them with the extension points that determine when they are executed. See "[Design Studio Overview](#)" and *UIM Developer's Guide* for more information about rulesets and Design Studio.

About Cartridges

You can extend UIM functionality dynamically without rebuilding the application. You do so by deploying *cartridges* into the application. A cartridge is a collection of entity specifications, characteristics, rulesets, and code that is defined in an Oracle Communications Design Studio project. The Design Studio project is compiled into a deployable JAR file known as a cartridge. Cartridges can be bundled together into cartridge packs that can be deployed in a single operation.

When you deploy a cartridge into UIM, the data it contains becomes available in the application. For example, if you deploy a cartridge that includes several different types of logical device specifications, those specifications become available for creating logical device entities in UIM.

You can also create your own custom cartridges in Design Studio. For example, you can create custom specifications and rulesets that are specific to your business and technology, and then deploy them to UIM.

Oracle also supplies various kinds of cartridges that extend UIM:

- **Base cartridges:** Base cartridges provide fundamental capabilities and features required by other cartridges. For example, there is a base cartridge that defines measurements such as bandwidth.
- **Required cartridges:** Some cartridges are required to be open in the Design Studio workplace when you develop content for UIM.
- **Samples:** Oracle provides various kinds of sample cartridges and cartridge packs. You use these samples as a starting point for your own development, testing, and experimentation.

Some Oracle sample cartridge packs provide extensive support for particular technology domains. For example, the Carrier Ethernet cartridge (OracleComms_UIM_CarrierEthernet) provides specifications and rulesets that enable you to model Carrier Ethernet services. Other samples address channelized connectivity, DSL, GSM, and Cable TV.

The names of all Oracle-supplied cartridges begin with *ora_uim* or *OracleComms*.

Many cartridges, including those supplied by Oracle, have accompanying ZIP archive files containing the Design Studio project data used to compile the cartridge. You can

import the ZIP files into Design Studio to open the corresponding project for review or extension.

See *UIM Cartridge Guide* for information about obtaining and using sample cartridges and cartridge packs.

2

UIM User Interface Overview

This chapter provides an overview of the Oracle Communications Unified Inventory Management (UIM) user interface. For complete information about the user interface and the tasks you can complete with it, see the UIM Help.

Opening the UIM User Interface

To open the UIM user interface, you need to obtain the following from a system administrator:

- User ID
- Password
- The UIM URL, including the server and port

Your user ID will be associated with access permissions that determine which parts of the application you can see and which actions you can take. All of the pages and actions described in this guide may not be available to you.

To open UIM:

1. In a supported browser, go to the URL supplied by the system administrator. The URL is similar to the following:

`https://ServerName:Port/inventory`

2. Enter your user ID and password.

The UIM main window appears.

Changing Password on First Login

As a new user, after your first login, you can change or reset the password provided by the administrator. Use the **Change Password** option under **Administration** section to change your password.



Note:

You can change your password any time (not only during the first login). However, Oracle recommends you to change the password after your first login.

The UIM Main Window

When you open UIM, you see the main window. The main window has a navigation section on the left that you use for navigation. Entity pages appear on the area to the right when you click links in the navigation section. The main window also includes menus and a toolbar.

After a successful login, the initial landing page display has an area to the right that is populated with additional functional links to navigate to various areas of the application.

The following figure shows the main UIM window with a Logical Device Summary page displayed.

Figure 2-1 UIM Main Window

Navigation Section

The left side of the main window is called the navigation section. It displays a list of links that enable you to find entities and other information in UIM. These links are divided into the following groups:

- The **Tasks** group is divided into two sub-groups:
 - The **My Tasks** sub-group contains links that enable you to view information about activities assigned to you or to your work group.
 - The **Tasks** sub-group contains links that enable you to search for projects, engineering work orders, and business interactions.
- The **NFV Orchestration** group, if installed, contains links to support the orchestration functionality. See *UIM NFV Orchestration Implementation Guide* for information on this topic.
- The **Service** group contains links to service entities.
- The **Inventory** group is divided into two sub-groups:
 - The **Resources** sub-group contains links that enable you to search for resource entities, such as connectivities, logical devices, telephone numbers, IP addresses, networks, and more.
 - The **Infrastructure** sub-group contains links to property locations, custom objects, inventory groups, parties, and places.
- The **Administration** group contains for administrative functions such as rebuilding topology and executing rule sets. It also contains links that enable you to search for rulesets, sequence specifications, characteristics, and entity specifications.

To make more room in the main window, you can adjust the size of the navigation section sliding its border with the main window.

Pages

When you click on a link in the navigation section, the right side of the main window is displays a page. In most cases, the pages that you open directly from the navigation section enable you to search for entities. In other cases, clicking a link opens a page for completing a task, such as importing inventory.

[Figure 2-2](#) shows the Logical Device page, which you open by clicking the **Logical Device** link in the Resources group. You use this page to search for logical devices. You enter search criteria in the Search section in the upper part of the page and see the results in the Search Results section in the lower part. See the UIM Help for more information about searching.

Figure 2-2 Logical Device Page

The screenshot shows the 'Logical Device' page. At the top left, there is a search section with a 'Saved Search' dropdown set to 'Logical Device Search'. Below this are several search criteria, each with a 'Starts With' dropdown and an input field:

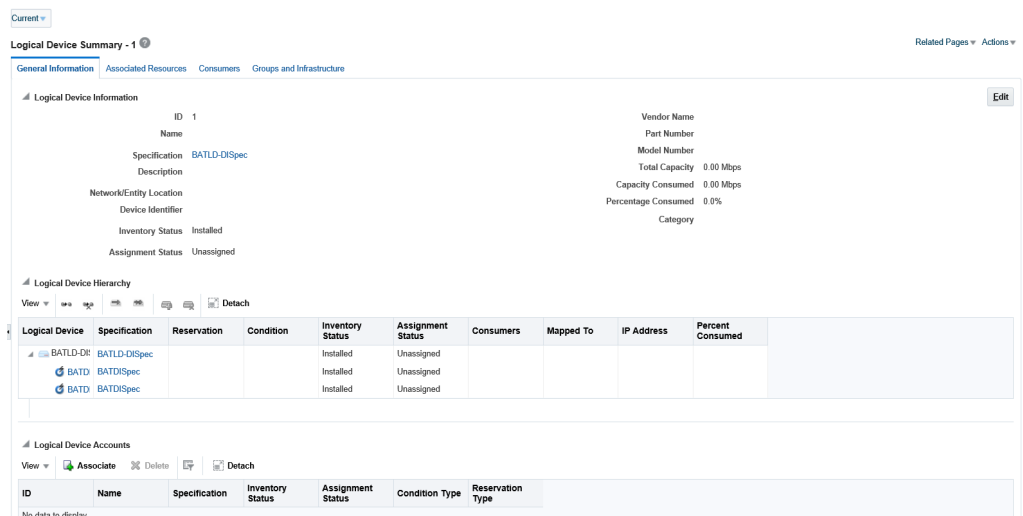
- ID
- Network/Entity Location
- Service Location
- Device Identifier
- Role Type
- Inventory Status
- Specification
- Vendor Name
- Assignment Status
- Name
- Role

Below the search criteria is a 'Place' section with a horizontal scrollbar. To the right of the scrollbar are buttons for 'Search', 'Reset', 'Save...', and 'Add Fields'.

The 'Search Results' section is below the 'Place' section. It includes an 'Actions' dropdown, a 'View' dropdown, and a row of action buttons: Create, Clone, Duplicate, Create Range, Edit, Delete, Export, and Detach. Below these buttons is a table with the following columns: ID, Name, Specification, Network/Entity Location, Device Identifier, Inventory Status, and Assignment Status. The table currently displays 'No data to display.' and has a horizontal scrollbar. At the bottom right of the table, it says 'Total Results: 0'.

Other kinds of pages appear as you work with entities in UIM. For example, if you search for a particular logical device and then open it, you see its Summary page. [Figure 2-3](#) shows a Logical Device Summary page.

Figure 2-3 Logical Device Summary Page



Additional pages enable you to perform other tasks. For example, you use the Logical Device Information page to edit the identifying information about logical devices.

Pages are often divided into sections that contain specific kinds of information. For example, in the Logical Device Summary page shown in [Figure 2-3](#), there are Logical Device Information, Logical Device Hierarchy, and Parent Logical Device sections, among others.

You can save space in a page by collapsing a section. Click the triangle icon in the upper left corner of the section's title bar to collapse it. Click the icon again to expand the section.

Working with Tables

Much of the information shown in pages is displayed in tables. These tables all have the same basic functionality, although not all features are available in all tables.

You can choose which columns are displayed and the order in which they appear. You can also filter and sort table contents so that only the most relevant information is displayed. When there are more rows of data than can be displayed in a section, you can scroll the table to see the additional rows.

See the UIM Help for detailed instructions about working with tables.

Menus

The toolbar above the navigation section and pages includes several different menus

- **Recent Items.** Lists the 10 most recently used pages.
- **Favorites.** Displays pages that you have designated as favorites. See the UIM Help for complete instructions.
- **Help.** Select from three different commands:
 - **Link to Page.** Displays the URL of the current UIM page. You can copy the URL.

- **Help Portal.** Opens the UIM Help.
UIM includes a Help system that you can access while using the application. See "[Using the UIM Help](#)" for more information.
- **About.** Displays the release number of the application and its copyright statement.

Using the UIM Help

UIM includes a Help system that you use to get step-by-step instructions. You can find the information you need by searching or by navigating through the table of contents.

This section includes information about opening the Help system and finding information. See the Help system contents for detailed information about all of its features.

To open Help:

- From the **Help** menu, select **Help Portal**.

The Help Portal window appears.

To open Help for the current page:

- Click the question-mark icon in the title bar of a page.

The Help Portal window appears, displaying a reference topic for the current page.

To browse for information:

1. In the navigation area on the left of the Help Portal window, click **Contents**.
An expanding table of contents appears in the navigation area.
2. Do one of the following:
 - Click a heading in the table of contents to display the introductory topic about the corresponding section in the reading area.
 - Click the triangle next to a heading to expand it to show subheadings and topics.

To search for information:

1. In the navigation area on the left of the Help Portal window, click **Search**.
A search area appears in the navigation area.
2. Enter a word or phrase to search for.
3. Select search options:
 - To search for an entire phrase, select **All words**.
 - To search for any of the words you entered, select **Any words**.
 - To include Boolean expressions such as AND or OR, select **Boolean expression**.
 - To match the capitalization of your search terms, select **Case Sensitive**.
4. Click **Search**.

Results are displayed below the search area. The total number matches appears above the list of matching topics, which are ordered by the number of matches they contain.

3

Design Studio Overview

This chapter provides introductory information about how Oracle Communications Design Studio is used with Oracle Communications Unified Inventory Management (UIM).

Design Studio is a separately licensed product that you install independently of UIM. For detailed information on how to install Design Studio, see *Design Studio Installation Guide*.

About Design Studio

Design Studio is an Eclipse-based development environment that supports several Oracle Communications applications in addition to UIM. For UIM development, you must install the Design Studio Platform, Design Studio Domain Modeling, and Design Studio for Inventory plug-ins.

You use Design Studio to define artifacts such as specifications and rulesets that you later deploy into UIM. You can define the following kinds of artifacts in Design Studio:

- Entity specifications
- Data elements tagged as characteristics
- Units of measure and measurement types
- Capacity provided, capacity required, and capacity type specifications
- Entity identification specifications
- Rulesets
- Extension points and enabled extension points
- Ruleset extension points and global ruleset extension points
- Sequence specifications

See the Design Studio Help for detailed information about how you work with each of these types of artifacts.

About Projects and Cartridges

In Design Studio, you create projects to contain the artifacts that you define. Each project corresponds to a collection of files and folders where data is stored. When a project is complete, you use Design Studio to build a cartridge that you deploy into UIM.

See the Design Studio Help for information about deploying cartridges interactively from Design Studio. See the *Design Studio Developer's Guide* for information about automating cartridge deployment using the Design Studio Cartridge Management Tool (CMT). See the *UIM Cartridge Guide* for more information about the Cartridge Deployer Tool (CDT).

 **Note:**

You must install two required projects in Design Studio before you can create UIM projects and deploy them as cartridges. The following two projects must be open in your workspace:

- **ora_uim_model** is a read-only project that represents the UIM model. It supports the ability to define specifications and characteristics and is also used to validate which entity types can be assigned or referenced by configuration items.
- **ora_uim_mds** is a read-only project that represents the fields that can be displayed in UIM entities. This project makes it possible to define the layout of fields in entities.

See *UIM Installation Guide* and Design Studio Help for more information about importing these projects.

You can also use Design Studio to open, view, and deploy content supplied by Oracle. For example, you can open the cartridges in an Oracle sample cartridge pack, add cartridges required for your business, and then deploy the cartridges into UIM.

See *UIM Cartridge Guide* for information about upgrading and extending cartridges.

Understanding the Design Studio Workbench

The Design Studio Workbench is the environment you use to develop and maintain specifications, rulesets, and other artifacts. The contents of the Workbench depend on the perspective that is currently displayed.

Perspectives are arrangements of content optimized for particular purposes. Design Studio includes several predefined perspectives. The two most commonly used perspectives are:

- The Studio Design perspective, which provides tools for designing and maintaining specifications and other artifacts.
- The Studio Environment perspective, which includes views for working with and deploying cartridges.

When you start Design Studio the first time, the Workbench displays a default perspective. After that, Design Studio starts up in the last perspective used.

About Views

The tools in the Workbench are smaller, window-like areas called views. Each perspective has a different set of views and each view is designed for a particular purpose.

For example, the Studio Design perspective includes the following views:

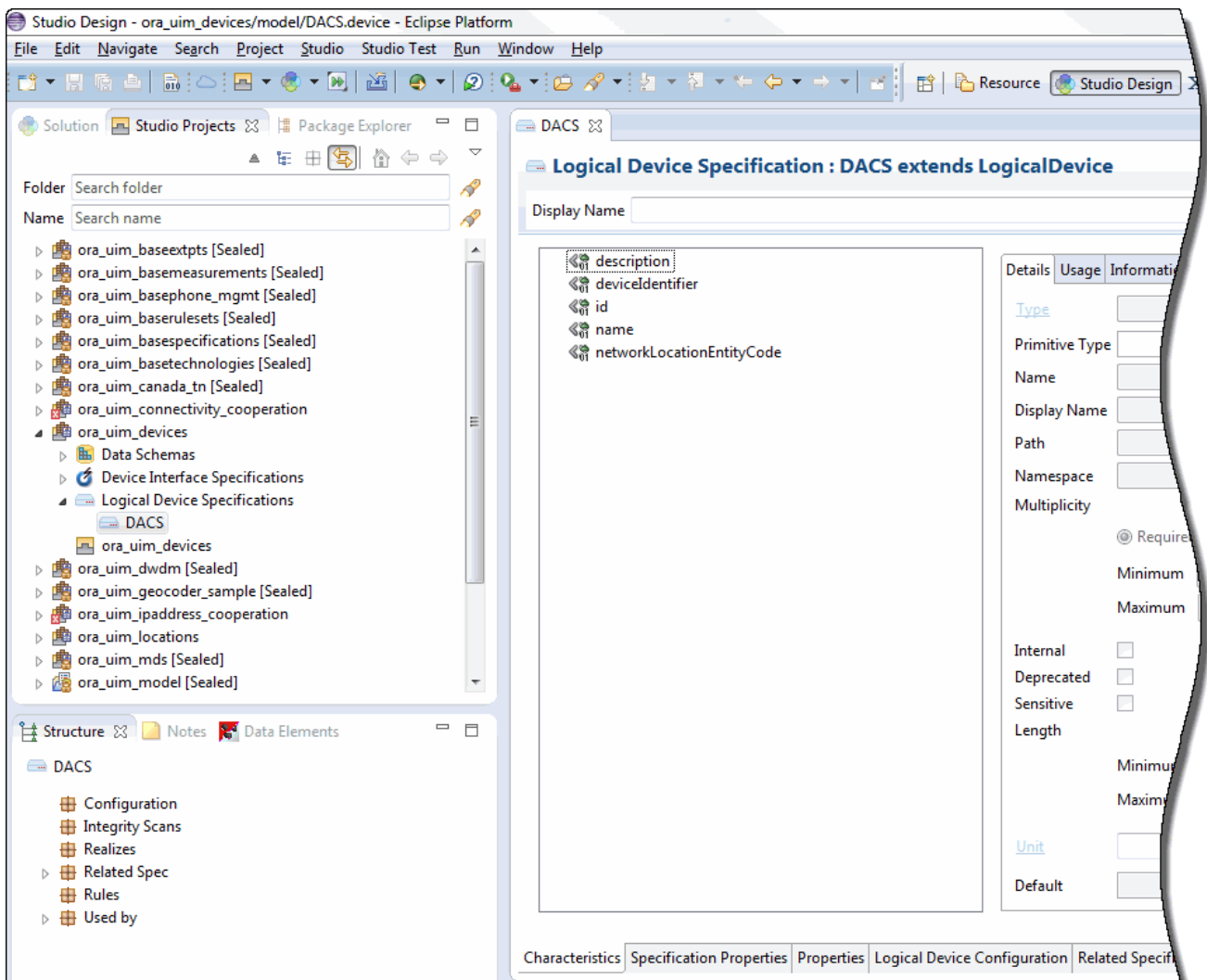
- **Projects:** This view shows the project contents grouped alphabetically by specification type.
- **Relation:** This view shows parent and child relationships for the selected specification.

- **Relation Graph:** This view shows a graphical view of a specification's relationships.
- **Data Element:** This view shows all the entities in the project that include data elements.
- **Problems:** This view displays information about problems in the cartridge, such as build errors.

The Studio Design perspective also includes editors, windows in which you do the actual work of designing and modifying specifications and other artifacts. When you make a selection in the Studio Projects view or Dictionary view, an editor for the selected artifact opens. See "[About Editors](#)" for more information about editors.

[Figure 3-1](#) displays the Workbench with the Studio Design perspective. In this window, the Studio Projects, Package Explorer, and Solution views are open with the Studio Projects view activated. A Logical Device specification is selected in the Studio Projects view, making the corresponding Logical Device Specification editor active.

Figure 3-1 Studio Design Perspective



See "Workbench User Guide" in Eclipse Help for additional information about views and editors.

About Editors

Editors are the tools you use to design specifications and other artifacts in Design Studio. Each editor is tailored for a particular type of artifact. Editors are opened based on selections you make in views. Although multiple editors can be open simultaneously, only one is active at a time.

Editors are divided into tabs arranged across the bottom. Some tabs appear in most editors, but others pertain only to a few.

The editors for the various types of entity specifications vary based on the nature of the entity, but many contain the following tabs:

- **Specification Properties:** Defines basic information about the specification, such as whether the IDs of entities defined by the specification are generated automatically or manually. See "[Entity Identification](#)" for more information about IDs.
- **Characteristics:** Defines characteristics associated with the specification. Using characteristics enables you to store information in addition to the default data elements for the entity. For example, you can add characteristics to store vendor-specific information about Equipment entities. See "[Characteristic Labels](#)" for more information.
- **Related Specifications:** Enables you to define relationships between specifications. See "[Understanding Specification Relationships](#)" for more information about relating specifications.
- **Configuration Spec Usage:** Enables you to indicate that an entity based on this specification can be consumed or referenced in the configuration specifications listed in the tab.
- **Rules:** Associates entity specifications with rulesets that customize UIM behavior. For detailed information and procedures about using extension points and rulesets, see *UIM Developer's Guide*.
- **Layouts:** Defines how entities based on the specification appear in UIM.
- **Media:** Defines media files (such as JPG or GIF files) that can be associated with a specification for display in UIM.

There are additional tabs used with some specifications. In this guide, those tabs are explained when they are used with a particular specification type.

Designing Entity Specifications

Much of the work you do in Design Studio will likely be designing entity specifications. The entity specifications you design in Design Studio are blueprints for the entities you create in UIM to model your inventory.

Understanding Specification Relationships

One of the most important parts of designing a specification is defining relationships to other specifications. For example, if you design a Logical Device specification, you can build in a relationship to a Device Interface specification that ensures that a particular number of interfaces are created automatically when you create a logical device in UIM.

 **Note:**

Design Studio enables you to define relationships from any specification to any other specification, but only a limited number of these relationships are recognized by default in UIM. The nature and results of recognized relationships vary depending on the specifications involved. See [Table 3-1](#) for more information.

Related specifications frequently result in provides and constrains relationships among entities in UIM. For example, when you relate a Logical Device specification to a Device Interface specification, you establish a provides relationship in UIM between Logical Device entities based on the specification and Device Interface entities based on the related specification. If you design a Logical Device specification for an ATM switch and relate it to an OC-12 Device Interface specification, when you create an ATM switch entity in UIM, OC-12 device interface entities are created automatically. The number of device interfaces created depends on a minimum value that you set for the relationship in the Logical Device specification. A maximum value for the relationship limits the number of child entities that can be added.

You can customize UIM by using extension points and rulesets so that the relationships not recognized by default in UIM are meaningful. For example, you can add rulesets that automatically create child entities based on a related specification when an entity is created based on a parent specification. See *UIM Developer's Guide* for more information.

A constrains relationship results from relating a Network Node specification to a Logical Device specification. This relationship limits the types of entities that a network node can represent in UIM. For example, if you design a Network Node specification that includes a relationship to a DSLAM Logical Device specification, you can associate network node entities based on the specification only to entities based on the DSLAM specification.

You establish most relationships in Design Studio from a specification editor's **Related Specs** tab. Certain types of relationships are handled on different tabs, however. For entities that can have configurations, for example, you define entity-to-configuration relationships on the **Configurations** tab.

[Table 3-1](#) shows the specification relationships in Design Studio that are supported by default in UIM.

Table 3-1 Specification Relationships

Specification	Related Specifications	Usage	Minimum and Maximum
Device Interface	Device Interface	UIM creates the sub-interfaces provided by a new device interface entity based on these relationships.	The minimum value on the relationship determines the number of device interface entities that UIM creates and is the minimum number that must be maintained on the device. The maximum value constrains the number of device interface entities that can be subsequently created.

Table 3-1 (Cont.) Specification Relationships

Specification	Related Specifications	Usage	Minimum and Maximum
Equipment	Equipment Holder Physical Port Physical Connector	UIM creates the equipment holders, physical ports, and physical connectors provided by a new equipment entity based on these relationships.	The minimum value determines the number of equipment holder, physical port, and physical connector entities that UIM creates and it constrains the user from deleting the physical ports and physical connectors after the equipment is created. The maximum value is not used for equipment holder because the number of holders is set by the specification and cannot be changed after an entity has been created. The maximum value is used for ports and connectors and constrains the number of ports and connectors entities that can be subsequently created.
Inventory Group	Inventory Group	UIM constrains the types of inventory groups that can be related as parent and child inventory groups.	Not applicable.
Custom Network Address Custom Object Equipment Logical Device Logical Device Account Party Physical Device Pipe Pipe Termination Point Product Service Telephone Number	Inventory Group	UIM constrains the entity to participate only in inventory groups created from the related inventory group specifications.	Not applicable.
Logical Device	Device Interface	UIM creates the device interfaces provided by a new logical device entity based on these relationships.	The minimum value on the relationship determines the number of device interface entities that UIM creates and is the minimum number that must be maintained on the logical device. The maximum value constrains the number of device interfaces that can be subsequently created.
Logical Device	Logical Device Configuration	UIM constrains the type of logical device configuration that can be created for a logical device.	Not applicable.

Table 3-1 (Cont.) Specification Relationships

Specification	Related Specifications	Usage	Minimum and Maximum
Network	Network Node Network Edge	UIM constrains the types of network nodes and network edges that can be included in a network.	Not applicable.
Network	Network Configurations	UIM constrains the type of network configuration that can be created for a network.	Not applicable.
Network Edge	Pipe Custom Object	UIM constrains the types of pipes and custom objects that can be represented by a network edge.	Not applicable.
Network Node	Custom Network Address Custom Object Device Interface Equipment Logical Device Network Physical Device Physical Port	UIM constrains the types of entities that can be represented by a network node. Party and Place associations to Network Node are not currently constrained by specification relationships.	Not applicable.
Physical Device	Physical Port Physical Connector	UIM creates the physical ports and connectors provided by a new physical device entity based on these relationships.	The minimum value on the relationship determines the number of port or connector entities that UIM creates and is the minimum number that must be maintained on the device. The maximum value constrains the number of port and connector entities that can be subsequently created.
Pipe	Pipe Pipe Termination Point	UIM creates child pipes (cable pairs) or pipe termination points provided by a new pipe entity based on this relationship. See <i>UIM Information Model Reference</i> for more detailed information about relating pipe specifications to pipe termination point specifications.	The minimum value on the relationship determines the number of child pipe entities that UIM automatically creates and is the minimum number that must be maintained on the pipe. The maximum value constrains the number of child pipe entities that can be subsequently created. Two pipe termination points are created for all pipe entities; however, if a pipe termination point specification is associated with a pipe, the pipe creates a pipe termination point using the related pipe termination point specification.

Table 3-1 (Cont.) Specification Relationships

Specification	Related Specifications	Usage	Minimum and Maximum
Pipe	Capacity Provided	UIM creates a capacity provided for the pipe based on this relationship when there is not a signal termination point specification related to the pipe. If a signal termination point specification is associated with the pipe specification, the capacity provided is created based on the capacity provided specification on the signal termination point specifications.	Not applicable.
Pipe	Capacity Required	UIM creates a capacity required for the pipe based on this relationship.	Not applicable.
Pipe	Signal Termination Point	UIM creates a signal structure for the pipe based on this relationship.	Not applicable.
Pipe	Pipe Configurations	UIM constrains the type of pipe configuration that can be created for a pipe.	Not applicable.
Place	Place Configurations	UIM constrains the type of place configuration that can be created for a geographic site.	Not applicable.
Product	Product Service	UIM constrains the types of products and services than can be added to a product in the product hierarchy.	UIM validates the minimum and maximum values in the relationship against the minimum and maximum child products and services in the product hierarchy.
Service	Service Configurations	UIM constrains the type of service configuration that can be created for a service	Not applicable.
Signal Termination Point	Capacity Provided	UIM creates a capacity provided for the signal structure based on this relationship.	Not applicable.
Signal Termination Point	Signal Termination Point	UIM creates child signal termination points in a signal structure based on this relationship.	The minimum value dictates the number of provided connection termination points to be created when the parent trail termination point or connection termination point is created. The maximum value is not used. UIM does not support creating or deleting connection termination points after the signal structure has been created.

Extending Specifications with Rulesets

You can use rulesets, extension points, and ruleset extension points to customize how UIM performs actions related to entities based on a specification.

- An extension point defines when the customized behavior takes place, such as immediately after an entity based on the specification takes place or when the **Validate** command is selected from the **Actions** menu.
- A ruleset defines what happens at the extension point. For example, you can write code that automatically creates additional entities or that validates that the entity is configured properly.
- A ruleset extension point brings together a ruleset and an extension point into a unit that you add to the **Rules** tab of an entity specification.

For detailed information and procedures about extending specifications, see *UIM Developer's Guide*.

Working with Characteristics

Characteristics provide a means of storing specific items of information about an entity that are not present by default. For example, if you define a specification for a particular type of equipment, you can add characteristics that describe vendor-specific features of the equipment. When you create entities in UIM based on a specification that includes characteristics, those characteristics appear automatically in the entities.

From the point of view of Design Studio, characteristics are data elements. You tag these data elements as characteristics, which makes them available for use in entity specifications. See the Design Studio Help for more information about data elements.

In Design Studio, characteristics are displayed on the **Characteristics** tab of specification editors and are also included in the list of data elements visible in the Data Schema editor.

In UIM, characteristics appear as fields in which users enter or select information. Users can expand UIM search parameters to include characteristics in addition to default data elements.

There are four types of characteristics, each of which has specific options that define or limit the information stored in the characteristic:

- Text fields store alphanumeric characters. You can define what types of characters can be stored, their format, default values, valid values, and other properties of the field.
- Check boxes determine whether a characteristic is true or false for the entity.
- Calendar fields enable users to enter or select dates. The properties you specify for the characteristic define a range of valid dates and a default date.
- List fields display a range of values to select from. In Design Studio, you can define and sort the possible values for the list in several different ways. See the Design Studio Help for more information.

Characteristic Labels

Characteristics must have unique names, but they can share the labels displayed for them in UIM.

For example, you might want all addresses to include a **Postal Code** field. Because of differences among national standards for postal codes, however, you may need to develop specifications for several different countries. A US postal code characteristic might be numeric with a maximum of nine digits, and a Canadian postal code characteristic might be alphanumeric with a maximum of six characters. You can define a unique characteristic for each country's postal code but have them both display as **Postal Code** in UIM.

Design Studio Specification Example

This section outlines the definition of an entity specification. In this example, a Logical Device specification is defined for an ATM switch that can provide OC-3 and OC-12 device interfaces. For step-by-step instructions for the tasks in the example, see the Design Studio Help.

You begin by selecting the type of specification you want to define, in this case, a Logical Device specification.

In the Logical Device specification editor that opens, you use the **Specification Properties** tab to enter basic identifying information, including the display name and validity dates.

Figure 3-2 shows the **Specification Properties** tab. In this case, default values are being used for most options.

Figure 3-2 Entering Basic Identifying Information

The screenshot displays the 'Logical Device Specification : 8540 ATM Switch' window. The 'Display Name' field is set to '8540 ATM Swtich'. The 'Start Date' and 'End Date' are both set to 'Thursday, March 15, 2012'. There are three unchecked checkboxes: 'Can be assigned to multiple entities', 'Can assign entities that allow multiple assignments', and 'Enter Id Manually'. Below these is the 'Entity Identification Specification' field, which is empty, with a 'Select...' button to its right. A large 'Description' text area is at the bottom. The bottom of the window shows a tabbed interface with 'Characteristics', 'Specification Pro...', 'Properties', 'Logical Device Co...', 'Related Specifica...', 'Configuration Spe...', 'Rules', 'Layouts', 'Media', and a '»1' button.

Logical Device specification editors include a tab in which you can enter a vendor, model, or part number that pertains to the logical device you are modeling.

Figure 3-3 shows the **Properties** tab for a Logical Device specification. Not all specification types have a **Properties** tab, and property data elements vary by entity type.

Figure 3-3 Setting Logical Device Properties

The screenshot shows a window titled "Logical Device Specification : 8540 ATM Switch". It contains several input fields for device properties:

- Display Name: 8540 ATM Swtich
- Vendor: Cisco
- Model Number: 8540
- Part Number: (empty)

At the bottom, there is a tabbed interface with the following tabs: Characteristics, Specification Pro..., Properties, Logical Device Co..., Related Specifica..., Configuration Spe..., Rules, Layouts, Media, and a scroll indicator "»1".

You can add characteristics to an entity specification to store data not supplied by default by the specification type. You can either select from already existing characteristics or them in the process of adding them.

Figure 3-4 shows two characteristics added to the **Characteristics** tab of a Logical Device specification. Information about the selected characteristic is displayed in the editor on the right of the tab.

Figure 3-4 Adding Characteristics

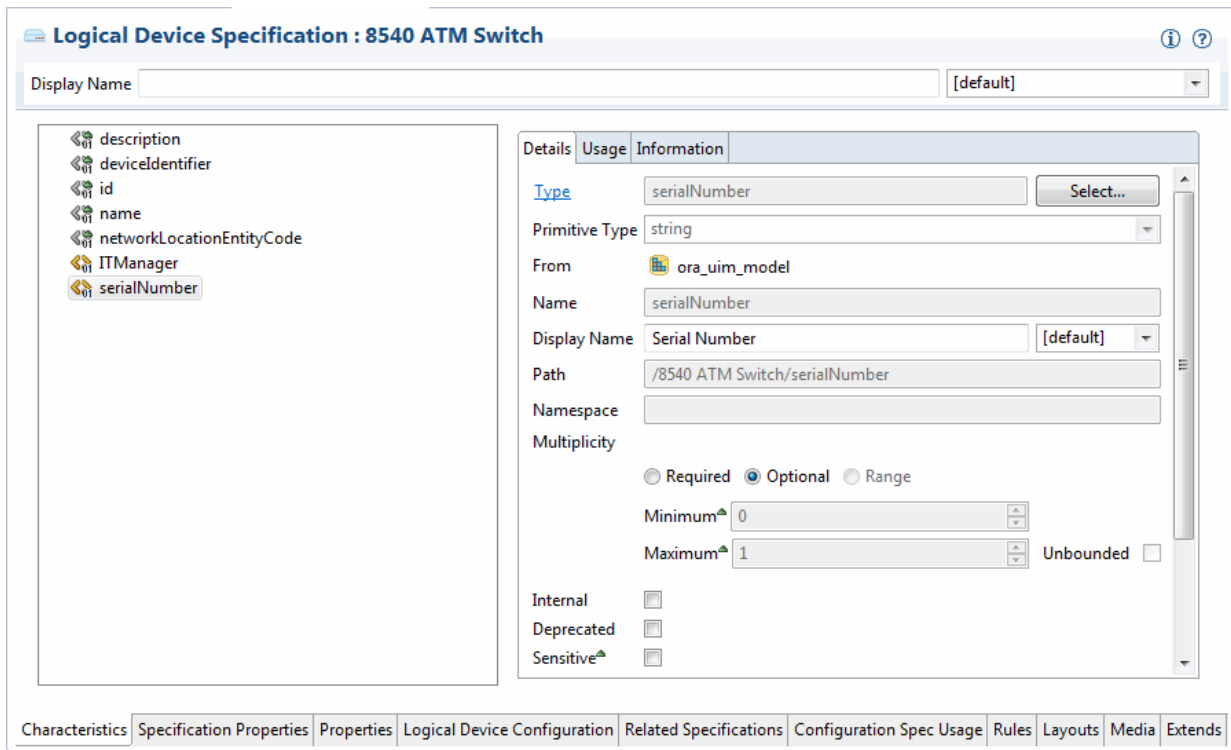
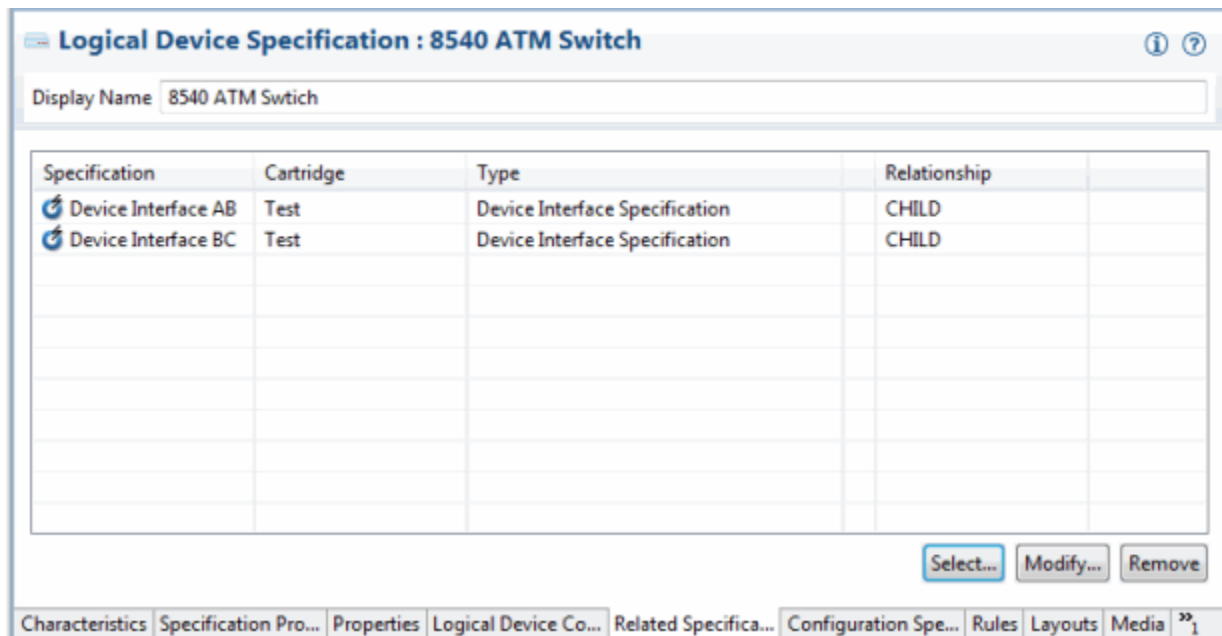


Figure 3-5 illustrates relationships between the Logical Device specification and two Device Interface specifications.

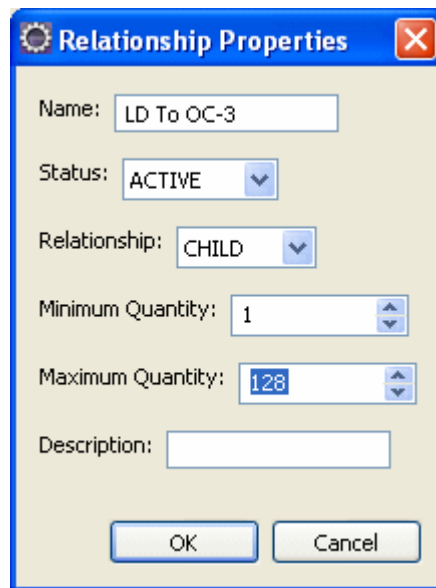
Figure 3-5 Relating Specifications



In UIM, these relationships mean that when a logical device is created based on this specification, device interfaces are created automatically based on the minimum values defined in the specification. Users can add OC-3 and OC-12 device interfaces up to the maximum values established in the specification.

Figure 3-6 shows the relationship properties of the OC-3 device interface. The value 1 in the Minimum Quantity field indicates that one OC-3 will be created automatically when a logical device entity is created based on this specification. The value 128 in the Maximum Quantity field indicates that users can create an additional 127 interfaces for a total of 128.

Figure 3-6 Setting Relationship Properties



The screenshot shows a dialog box titled "Relationship Properties". It contains the following fields and controls:

- Name:** A text box containing "LD To OC-3".
- Status:** A dropdown menu with "ACTIVE" selected.
- Relationship:** A dropdown menu with "CHILD" selected.
- Minimum Quantity:** A spinner box with the value "1".
- Maximum Quantity:** A spinner box with the value "128".
- Description:** An empty text box.
- Buttons:** "OK" and "Cancel" buttons at the bottom.

Deploying Cartridges into UIM

After you have created a UIM project that includes specifications, rulesets, and other artifacts, you deploy it into UIM. You can deploy cartridges and cartridge packs into UIM using the following methods:

- From Design Studio. You can deploy cartridges and cartridge packs interactively from Design Studio to test environments. Design Studio enables you to manage cartridges in the test environment consistently, manage common test environment connection parameters across the design team, and compare cartridge version and build numbers in the development environment with those of the cartridges deployed in the test environment. See the Design Studio Help for more information.
- By using the Design Studio Cartridge Management Tool (CMT). The CMT enables you to automate cartridge deployment. You can use the CMT to deploy cartridges into both test and production UIM environments. You can also use it to deploy cartridges into cluster environments. See the *Design Studio Developer's Guide* for more information about the CMT.
- By using the UIM Cartridge Deployer Tool (CDT). The UIM CDT is a GUI-based tool that enables you to deploy to UIM run-time environments. The Oracle Universal Installer installs the CDT as part of the UIM installation process. You can use the CDT to deploy

cartridges into both test and production UIM environments. You can also use it to deploy cartridges into cluster environments. See the *UIM Cartridge Guide* for more information.

4

Life Cycles and Statuses

This chapter describes the life cycles and statuses of entities in Oracle Communications Unified Inventory Management (UIM). Many entities share the same life cycles, but others use specialized versions. You can extend life cycles and statuses and associate life cycles with other types of entities. See *UIM Developer's Guide* for more information.

Different types of entities have different life cycles. Some entities of the same type have specialized life cycles in some situations. See the following sections for more information about the life cycles of the different entity types:

- [Resource Life Cycle and Statuses](#)
- [Service Life Cycles and Statuses](#)
- [Configuration Life Cycles and Statuses](#)
- [Business Interaction and Engineering Work Order Life Cycles and Statuses](#)
- [Project and Activity Life Cycles and Statuses](#)

Resource Life Cycle and Statuses

Just like real-life inventory resources, resource entities in UIM are managed over their entire life cycle (past, present, and future). Resource entities have three separate life cycles and sets of statuses:

- Inventory statuses indicate the resource's place in its life cycle, such as Installed or Unavailable. These statuses vary depending on whether the entity is included in a business interaction or engineering work order. See "[Resource Inventory Statuses](#)" for more information.
- Assignment statuses indicate the availability of the resource for consumption. See "[Resource Assignment Statuses](#)" for more information.
- Reference statuses indicate whether a resource has been referenced in a configuration. See "[Resource Reference Statuses](#)" for more information.

Resource Inventory Statuses

Most resource entities share a common inventory life cycle. The life cycle is different for resources in business interaction contexts and resources outside business interaction contexts.

The following entity types follow this common life cycle:

- Custom network addresses
- Custom objects
- Device interfaces
- Equipment
- Equipment holders

- IP subnets
- IP addresses
- Logical devices
- Logical device accounts
- Media streams
- Networks
- Network edges
- Network nodes
- Physical connectors
- Physical devices
- Physical ports
- Pipe termination points

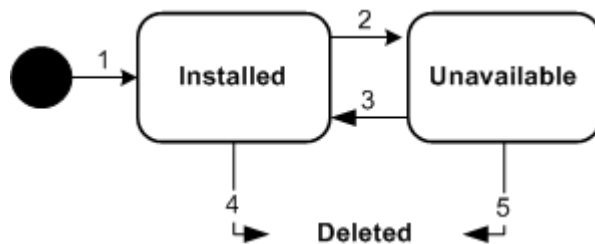
The following resource entities have specialized life cycles:

- Connectivities (in business interaction and engineering work order contexts). See ["Inventory Statuses for Pipes and Connectivities in Business Interactions and Work Orders"](#).
- Pipes (in business interaction and engineering work order contexts). See ["Inventory Statuses for Pipes and Connectivities in Business Interactions and Work Orders"](#).

Inventory Statuses for Resources Outside Business Interactions and Work Orders

[Figure 4-1](#) shows the resource inventory life cycle when the resource is not included in a business interaction or work order. See ["Inventory Statuses for Resources in Business Interactions and Work Orders"](#) for the inventory life cycle of resources in the context of a business interaction or work order.

Figure 4-1 Resource Inventory Life Cycle



[Table 4-1](#) describes the actions associated with each number in [Figure 4-1](#) and the resulting status changes.

Table 4-1 Resource Status Flow Outside a Business Interaction or Work Order Context

Label Number	Description	Status
1	Create a resource.	Installed
2	Deactivate a resource.	Unavailable
3	Activate a resource.	Installed
4	Delete an installed resource.	N/A
5	Delete an unavailable resource.	N/A

Table 4-2 provides a definition and business context for each resource status.

Table 4-2 Resource Status Definitions Outside a Business Interaction or Work Order Context

Inventory Status	Definition	Business Context
Installed	The resource is created.	An installed resource is available to support services and other resources.
Unavailable	The resource has been deactivated.	The resource is deactivated and unavailable to support services or other resources.
Disconnected	(Connectivity and Pipe entities only.) The resource has been disconnected.	The resource has been disconnected. All resources assigned to the entity have been released (unassigned).

Inventory Statuses for Resources in Business Interactions and Work Orders

The life cycle of resources in business interactions and work orders is shown in [Figure 4-2](#).

Pipes and connectivities have a specialized life cycle. See "[Inventory Statuses for Pipes and Connectivities in Business Interactions and Work Orders](#)".

Figure 4-2 Resource Inventory Life Cycle in a Business Interaction or Work Order Context

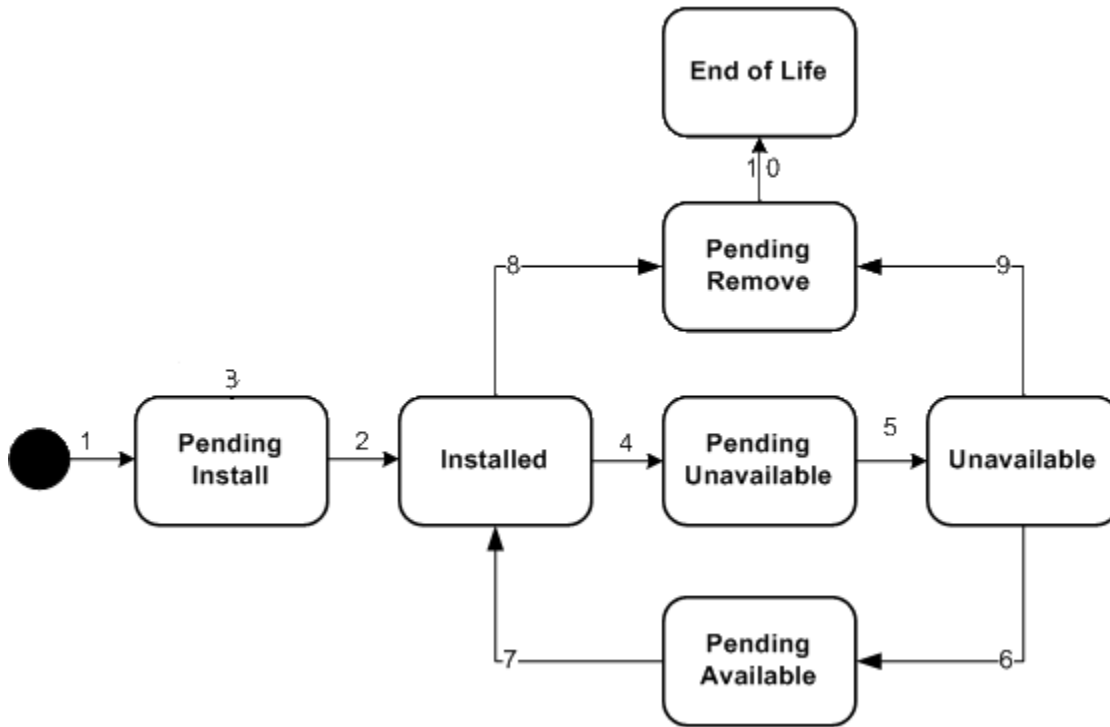


Table 4-3 describes the actions associated with each number in Figure 4-2 and the resulting status changes.

Table 4-3 Resource Status Flow in a Business Interaction or Work Order Context

Label Number	Description	Status
1	Create a resource in a business interaction.	Pending Install
2	Complete business interaction to create a resource.	Installed
3	Cancel business interaction to create a resource.	Pending Install
4	Deactivate a resource in a business interaction.	Pending Unavailable
5	Complete business interaction to deactivate a resource.	Unavailable
6	Activate a resource in a business interaction.	Pending Available
7	Complete business interaction to activate a resource.	Installed
8	Delete an installed resource in a business interaction.	Pending Remove

Table 4-3 (Cont.) Resource Status Flow in a Business Interaction or Work Order Context

Label Number	Description	Status
9	Delete an unavailable resource in a business interaction.	Pending Remove
10	Complete business interaction to delete a resource.	End of Life

Table 4-4 provides a definition and business context for each resource status.

Table 4-4 Resource Status Definitions for Business Interaction and Engineering work order Contexts

Inventory Status	Definition	Business Context
Pending Install	The resource is created in a business interaction or work order that is not yet completed.	A resource created in a business interaction or work order can be acted on as an installed resource while the user is working in that context. The resource can be assigned outside the business interaction under certain circumstances. See "About Assigning Pending Resources" .
Installed	The resource is created in a business interaction or work order that has been completed.	An installed resource is available to support services or other resources.
Pending Available	The resource has been activated in a business interaction that is pending completion.	The resource can be assigned outside the business interaction under certain circumstances. See "About Assigning Pending Resources" . When the business interaction is completed, the resource transitions to Installed status.
Pending Unavailable	The resource has been deactivated in a business interaction or work order that is not completed.	The resource is deactivated and not available. When the business interaction or work order is completed, the resource becomes unavailable in current inventory.
Unavailable	The resource has been deactivated in a business interaction or work order that has been completed.	The resource is deactivated and unavailable to support services or other resources.
Pending Remove	The resource has been deleted in a business interaction or work order that has not been completed.	The resource is not available. When the business interaction or work order is completed, the resource status changes to End of Life and the resource is not available.

Table 4-4 (Cont.) Resource Status Definitions for Business Interaction and Engineering work order Contexts

Inventory Status	Definition	Business Context
End of Life	The resource has been deleted in a business interaction or work order that has been completed. This status also applies to a resource that was created in a business interaction or work order that was canceled.	The resource is effectively deleted and is no longer visible or available.

Inventory Statuses for Pipes and Connectivities in Business Interactions and Work Orders

Pipes and Connectivities that are included in business interactions and work orders have a different life cycle from that of other resources, as illustrated in [Figure 4-3](#). Rather than Pending Remove and End of Life statuses, pipes and connectivities have Pending Disconnect and Disconnected.

You can disconnect a pipe or connectivity in a Business Interaction context if it is in Installed state or in Unavailable state.

Disconnection is not allowed when a pipe or connectivity:

- Has riders
- Is associated to a service
- Has a design version in an In Progress status

Figure 4-3 Pipe and Connectivity Inventory Life Cycle in a Business Interaction or Work Order Context

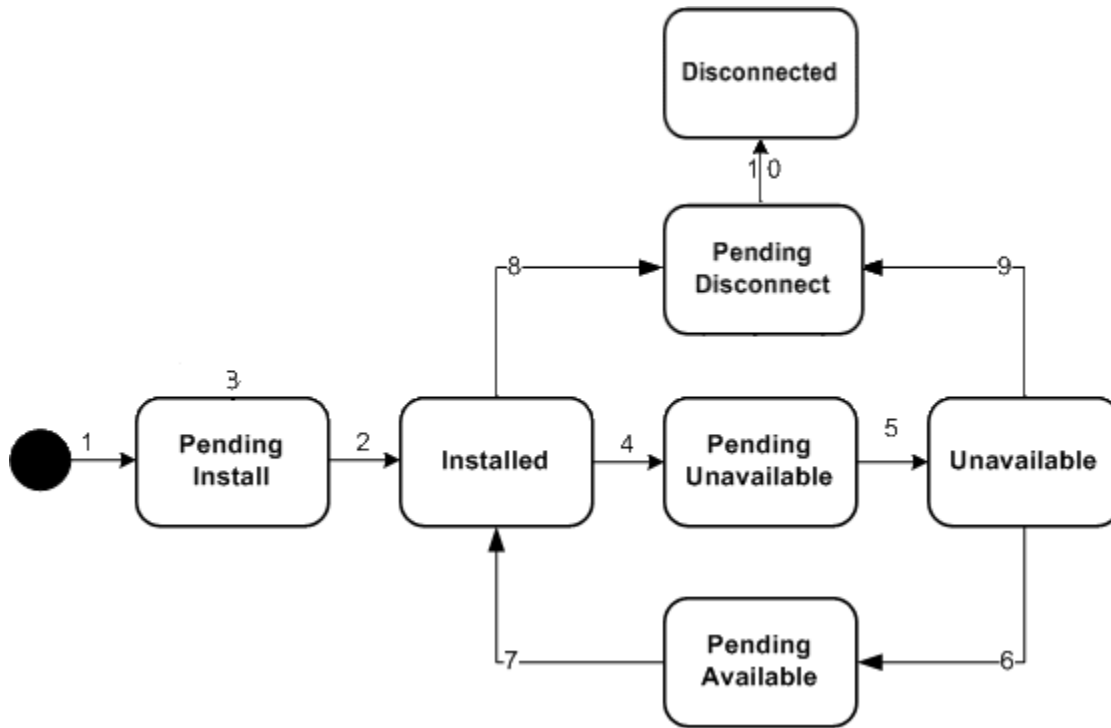


Table 4-5 describes the actions associated with each number in Figure 4-3 and the resulting status changes.

Table 4-5 Pipe or Connectivity Status Flow in a Business Interaction or Work Order Context

Label Number	Description	Status
1	Create a pipe or connectivity in a business interaction.	Pending Install
2	Complete business interaction to create a pipe or connectivity.	Installed
3	Cancel business interaction to create a pipe or connectivity.	Pending Install
4	Deactivate a pipe or connectivity in a business interaction.	Pending Unavailable
5	Complete business interaction to deactivate a pipe or connectivity.	Unavailable
6	Activate a pipe or connectivity in a business interaction.	Pending Available
7	Complete business interaction to activate a pipe or connectivity.	Installed

Table 4-5 (Cont.) Pipe or Connectivity Status Flow in a Business Interaction or Work Order Context

Label Number	Description	Status
8	Disconnect an installed pipe or connectivity in a business interaction.	<p>Pending Disconnect</p> <p>For connectivities and versioned pipes with design versions in Completed status, a new version is created by copying the existing version and setting resource assignments to Pending Unassign.</p> <p>If the connectivity or versioned pipe design version is in an In Progress status, disconnection is not allowed.</p>
9	Disconnect an unavailable pipe or connectivity in a business interaction.	<p>Pending Disconnect</p> <p>For connectivities and versioned pipes with design versions in Completed status, a new version is created by copying the existing version and setting resource assignments to Pending Unassign.</p> <p>If the connectivity or versioned pipe design version is in an In Progress status, disconnection is not allowed.</p>
10	Complete business interaction to disconnect a pipe or connectivity.	Disconnected

Table 4-6 provides a definition and business context for each pipe or connectivity status.

Table 4-6 Pipe Or Connectivity Status Definitions for Business Interaction and Engineering work order Contexts

Inventory Status	Definition	Business Context
Pending Install	The pipe or connectivity is created in a business interaction or work order that is not yet completed.	<p>A pipe or connectivity created in a business interaction or work order can be acted on as an installed pipe or connectivity while the user is working in that context.</p> <p>Outside the business interaction or work order context, the pipe or connectivity is available under certain circumstances. See "About Assigning Pending Resources".</p>
Installed	The pipe or connectivity is created in a business interaction or work order that has been completed.	An installed pipe or connectivity is available to support services or other resources.

Table 4-6 (Cont.) Pipe Or Connectivity Status Definitions for Business Interaction and Engineering work order Contexts

Inventory Status	Definition	Business Context
Pending Unavailable	The pipe or connectivity has been deactivated in a business interaction or work order that is not completed.	The pipe or connectivity is installed and available to support services or other resources outside the business interaction or work order context. In that context, however, the pipe or connectivity is deactivated and not available. When the business interaction or work order is completed, the pipe or connectivity becomes unavailable in current inventory.
Unavailable	The pipe or connectivity has been deactivated in a business interaction or work order that has been completed.	The pipe or connectivity is deactivated and unavailable to support services or other resources.
Pending Disconnect	The pipe or connectivity has been disconnected in a business interaction or work order that has not been completed.	The pipe or connectivity is no longer visible or available.
Disconnected	The resource has been disconnected in a business interaction or work order that has been completed. This status also applies to a pipe or connectivity that was created in a business interaction or work order that was canceled.	The pipe or connectivity is no longer visible or available.

Resource Assignment Statuses

The resource assignment status indicates the stage in the life cycle of a specific assignment of a resource to another entity. You can set up resources to be assigned to multiple entities or set up an entity to allow multiple assignments. The resource assignment status shown in [Figure 4-4](#) shows the status for each specific assignment. Summary pages in UIM display only one resource assignment status even though there can be multiple assignments. If any one of the resource assignments has the status of assigned, the Summary page will show the resource as assigned.

The configuration can be any of the following: service, place (geographic site), logical device, network, pipe, or pipe termination point. The life cycle depicts whether the resource is consumed by a service, pending consumption by a service, reserved for a service, pending disconnect, disconnected, and so on. [Figure 4-4](#) shows the resource assignment statuses that represent the resource assignment life cycle.

Figure 4-4 Resource Assignment Life Cycle

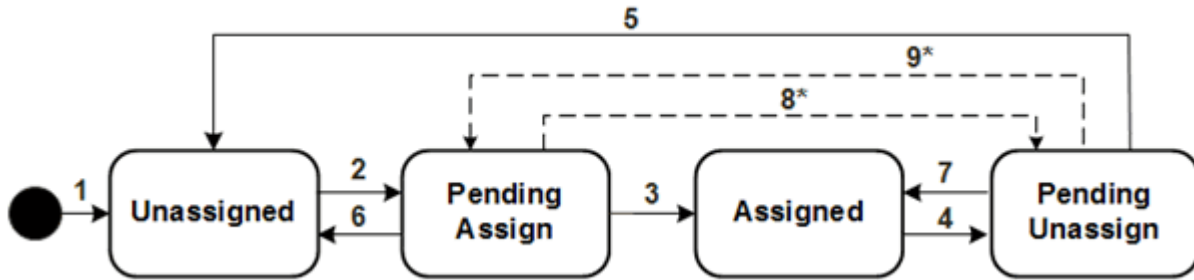


Table 4-7 describes the actions associated with each number in Figure 4-4 and the resulting status changes.

Table 4-7 Resource Assignment Status Flow

Label Number	Description	Status
1	Create resource.	Unassigned
2	Assign resource to configuration item.	Pending Assign
3	Complete configuration to assign resource.	Assigned
4	Unassign resource from a configuration item.	Pending Assign This status shows as Assigned when looking at the resource, but shows Pending Unassign if the resource is in the context of its configuration.
5	Complete configuration to unassign resource.	Unassigned
6	Remove a pending assignment for a resource on an in-progress, designed, or issued configuration or cancel a configuration with a pending assigned resource.	Unassigned
7	Restore resource assignment to pending unassign. This happens when you remove the pending unassignment of the resource, you cancel a pending disconnect configuration, or you complete a pending cancel configuration.	Assigned

Table 4-7 (Cont.) Resource Assignment Status Flow

Label Number	Description	Status
8*	<p>Unassign a pending assignment of a resource.</p> <p>This transition happens when all the following conditions are met:</p> <ul style="list-style-type: none"> • The resource is in a pending status in the current configuration. • The current configuration is in progress. • The resource also belongs to a configuration item in an earlier configuration for the same service. • The earlier configuration is also in progress. 	Pending Unassign
9*	<p>Undo an unassign of a resource for a configuration item that is in Pending Unassign status.</p> <p>This transition happens when all the following conditions are met:</p> <ul style="list-style-type: none"> • The resource is in a pending status in the current configuration. • The current configuration is in progress. • The resource also belongs to a configuration item in an earlier configuration for the same service. • The earlier configuration is also in progress. 	Pending Assign



Note:

The label numbers with asterisks indicate that the transition is allowed only when the multiple pending configuration functionality is enabled. See the "[About Multiple Pending Configurations](#)" for information on multiple pending configuration functionality.

Table 4-8 provides a definition and business context for each resource assignment status.

Table 4-8 Resource Assignment Definitions

Resource Assignment Status	Definition	Business Context
Unassigned	Resource is not assigned to a configuration and is available for assignment.	The resource is installed but not assigned to a configuration. When a configuration item is assigned, the resource or entity assignment status changes to Pending Assign.

Table 4-8 (Cont.) Resource Assignment Definitions

Resource Assignment Status	Definition	Business Context
Pending Assign	Resource is assigned to a configuration, but the configuration is not completed.	<p>A resource is assigned to an entity, but the configuration is not completed.</p> <p>Typically, when the configuration is completed, the assignment status is updated to Assigned. If the request is canceled, the pending assignment changes to Unassigned.</p> <p>If the multiple pending configuration functionality is enabled, then the status may be changed to Pending Unassign if the resource is pending for a configuration item in an earlier configuration that is also in progress.</p>
Assigned	Resource is assigned to a configuration and the configuration is completed.	<p>The assignment status of the resource that is assigned to a working configuration. When the configuration is requested to be disconnected, the configuration's resources have a status of Pending Unassign.</p>
Pending Unassign	Either the resource is assigned to a service that is in a pending disconnect status, or the resource is unassigned from its configuration and the configuration is pending completion.	<p>A service is planned for disconnection. As a result, all of its resource assignments are unassigned from the configuration.</p> <p>For telephone numbers, if an aging period is required, the status is updated to Disconnected. If an aging period is not required, the status is changed back to Unassigned.</p> <p>If the multiple pending configuration functionality is enabled, then the status may be changed to Pending Assign if the resource is pending for a configuration item in an earlier configuration that is also in progress.</p> <p>The resource can be assigned under certain circumstances. See "About Assigning Pending Resources".</p>

Telephone Number Assignment Life Cycle and Statuses

Telephone numbers have a default assignment life cycle that is similar to that of other resources, with the addition of an aging process and two statuses. This life cycle, including the aging process applies to telephone numbers that are not ported in or out. UIM uses the TN Type characteristic to identify numbers as ported in or out. Telephone numbers without a TN Type and those assigned the Owned or Toll Free TN Type follow the default life cycle. Telephone numbers with the Ported In or Ported Out TN Type follow the modified life cycle described in "[Modified Assignment Life Cycle for Ported In and Ported Out Telephone Numbers](#)".

Figure 4-5 illustrates the default telephone number assignment life cycle.

Figure 4-5 Telephone Number Assignment Life Cycle

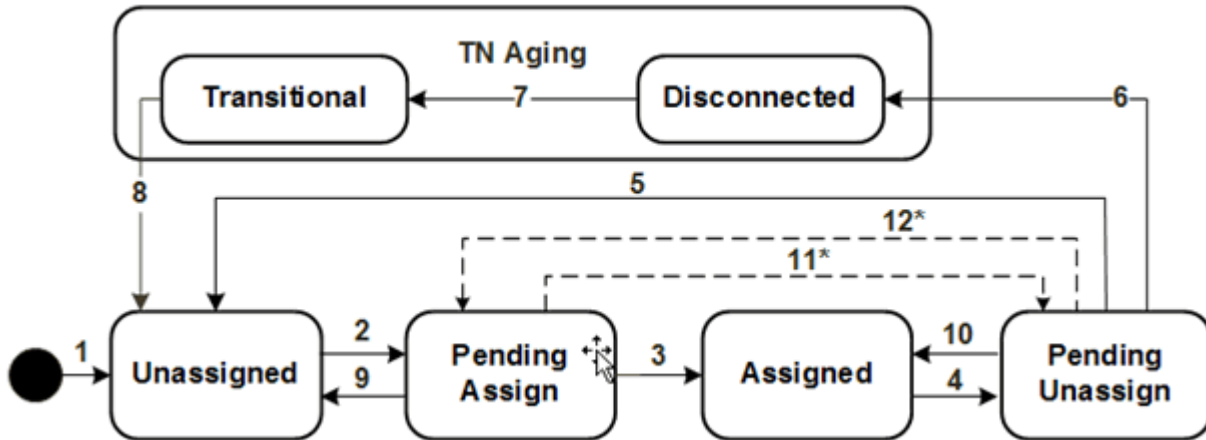


Table 4-9 describes the actions associated with each number in Figure 4-5 and the resulting status changes.

Table 4-9 Telephone Number Assignment Status Flow

Label Number	Description	Status
1	Create telephone number.	Unassigned
2	Assign telephone number to configuration item.	Pending Assign
3	Complete configuration to assign telephone number.	Assigned
4	Unassign telephone number from a configuration item.	This status shows as Assigned when looking at the resource, but shows Pending Unassign if the resource is in the context of its configuration
5	Complete configuration to unassign telephone number.	Unassigned
6	Complete configuration to unassign telephone number.	Disconnected
7	Pass intercept period for a telephone number.	Transitional
8	Pass transition period for a telephone number.	Unassigned
9	Remove a pending assignment for a telephone number on an in-progress, designed, or issued configuration or cancel a configuration with a pending assigned resource.	Unassigned

Table 4-9 (Cont.) Telephone Number Assignment Status Flow

Label Number	Description	Status
10	Restore telephone number assignment to Pending Unassign. This happens when you remove the pending unassignment of the resource, you cancel a pending disconnect configuration, or you complete a pending cancel configuration.	Assigned
11*	Remove a pending assignment of a telephone number. This is allowed when multiple pending configuration functionality is enabled. This transition happens when all the following conditions are met: <ul style="list-style-type: none"> • The telephone number is in a pending status in the current configuration. • The current configuration is in progress. • The telephone number also belongs to a configuration item in an earlier configuration for the same service. • The earlier configuration is also in progress. 	Pending Unassign
12*	Undo an unassign of a telephone number for a configuration item that is in Pending Unassign status. This is allowed when multiple pending configuration functionality is enabled. This transition happens when all the following conditions are met: <ul style="list-style-type: none"> • The telephone number is in a pending status in the current configuration. • The current configuration is in progress. • The telephone number also belongs to a configuration item in an earlier configuration for the same service. • The earlier configuration is also in progress. 	Pending Assign

 **Note:**

The label numbers with asterisks indicate that the transition is allowed only when the multiple pending configuration functionality is enabled. See the ["About Multiple Pending Configurations"](#) for information on multiple pending configuration functionality.

[Table 4-10](#) lists the telephone assignment statuses. Telephone numbers have the same inventory status as other resources shown in [Table 4-2](#).

Table 4-10 Telephone Number Assignment Statuses

Assignment Status	Definition	Business Context
Unassigned	The telephone number is available.	TN recall processing, readiness, and maintenance
Pending Assign	The telephone number is assigned to a configuration that has not been completed.	TN assignment
Assigned	The telephone number is assigned to a completed configuration.	Configuration version and configuration
Pending Unassign	The telephone number has been unassigned from a configuration that has not been completed.	TN assignment
Disconnected	The telephone number has been unassigned from a configuration and is being aged.	Configuration version and configuration
Transitional	The telephone number has been disconnected and cannot be reassigned for a period.	TN recall processing
Ported	The telephone number has been ported out to another provider.	Not applicable

Modified Assignment Life Cycle for Ported In and Ported Out Telephone Numbers

The assignment life cycle is modified somewhat for telephone number that are ported in or ported out. These numbers are identified by the Ported In or Ported Out TN Type.

 **Note:**

The number portability features described in this section are available only if the Base Phone Management cartridge is installed. See "[Telephone Number Portability](#)" and *UIM Cartridge Guide* for more information.

Ported out numbers have their assignment status set to Ported and their inventory status set to Unavailable.

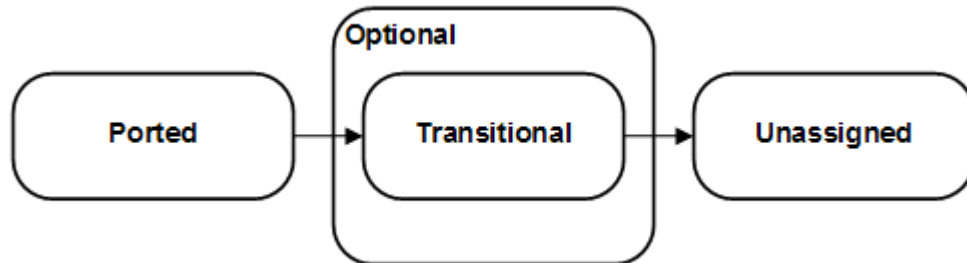
There are two ways a ported out telephone number can return to the control of the original service provider:

- A *snapback* occurs when the customer gives up the number and it returns via the regulatory process defined for its geography.
- A *winback* occurs when the customer and the telephone number return to the original service provider.

The UIM life cycle is similar for snapbacks and winbacks. For both, UIM changes the TN Type back to Owned, the assignment status to Unassigned and the inventory status to Installed. For snapbacks, you can optionally introduce the Transitional assignment status with a property setting in the **consumer.properties** file. [Figure 4-6](#) illustrates the optional portion

of the telephone number assignment life cycle for snapbacks. See *UIM System Administrator's Guide* for more information.

Figure 4-6 Optional Transitional Status for Ported Telephone Numbers and Snapback



For winbacks, UIM includes an optional characteristic that identifies numbers as winbacks. Some service providers prefer to track winbacks separately.

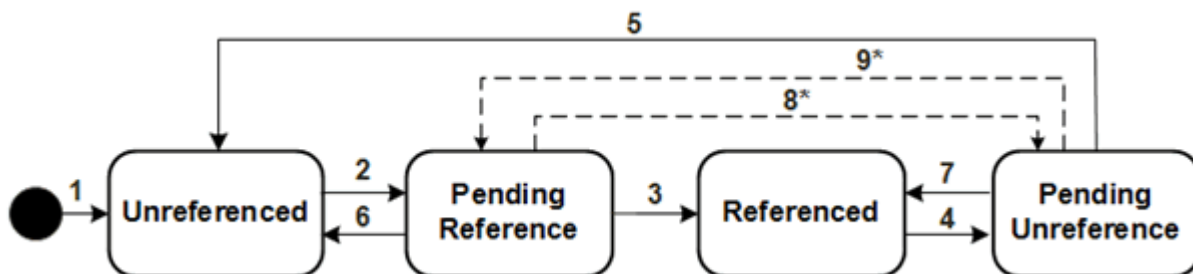
For ported-in telephone numbers UIM sets the assignment status to Unassigned and the inventory status to Unavailable.

Resource Reference Statuses

Resources can be referenced in configurations. A reference is similar to an assignment, but does not consume the resource. See "[Understanding Entity References](#)" for more information.

[Figure 4-7](#) illustrates the resource reference life cycle.

Figure 4-7 Resource Reference Life Cycle



[Table 4-11](#) describes the actions associated with each number in [Figure 4-7](#) and the resulting status changes.

Table 4-11 Resource Reference Status Flow

Label Number	Description	Status
1	Create resource.	Unreferenced
2	Reference resource in a configuration item.	Pending Reference
3	Complete configuration to reference the resource.	Referenced
4	Unreference resource in a configuration item.	Pending Unreference The resource is referenced from outside the configuration, but Pending Unreference in the context of the configuration.
5	Complete configuration to unreference the resource.	Unreferenced
6	Remove a pending reference for a resource on an in-progress, designed, or issued configuration or cancel a configuration with a pending reference resource.	Unreferenced
7	Restore resource reference. This occurs when you remove the pending unreference of the resource, you cancel a pending disconnect configuration, or you complete a pending cancel configuration.	Referenced
8*	Remove a pending reference of a resource. This transition happens when all the following conditions are met: <ul style="list-style-type: none"> • The resource is in a pending status in the current configuration. • The current configuration is in progress. • The resource also belongs to a configuration item in an earlier configuration for the same service. • The earlier configuration is also in progress. 	Pending Unreference
9*	Undo the removal of a resource reference for a configuration item that is in Pending Unreference status. This transition happens when all the following conditions are met: <ul style="list-style-type: none"> • The resource is in a pending status in the current configuration. • The current configuration is in progress. • The resource also belongs to a configuration item in an earlier configuration for the same service. • The earlier configuration is also in progress. 	Pending Reference



Note:

The label numbers with asterisks indicate that the transition is allowed only when the multiple pending configuration functionality is enabled. See the "[About Multiple Pending Configurations](#)" for information on multiple pending configuration functionality.

Table 4-12 provides a definition and business context for each resource reference status.

Table 4-12 Resource Reference Definitions

Resource Reference Status	Definition	Business Context
Unreference	The resource is not referenced or has be unreferenced in a configuration that has been completed.	The resource is installed but not referenced in a configuration. When a configuration item is referenced, the resource or entity status changes to Pending Reference.
Pending Reference	The entity is referenced on a configuration that has not yet been completed.	A resource is referenced, but the configuration is not completed. Typically, when the configuration is completed, the reference status is updated to Referenced. If the request is canceled, the pending reference changes to Unreferenced. If the multiple pending configuration functionality is enabled, then the status may be changed to Pending Unreference if the resource is pending for a configuration item in an earlier configuration that is also in progress.
Referenced	The entity is referenced on a configuration that has been completed.	The resource is referenced in an in-service configuration. When the configuration is requested to be disconnected, the configuration's references transition to Pending Unreference.

Table 4-12 (Cont.) Resource Reference Definitions

Resource Reference Status	Definition	Business Context
Pending Unreference	The resource is unreferenced in a configuration that has not yet been completed.	Typically, when a configuration is planned for disconnection, its resource references transition to Pending Unreference. When the disconnection is complete, the references transition to Unreferenced. If the multiple pending configuration functionality is enabled, then the status may be changed to Pending Reference if the resource is pending for a configuration item in an earlier configuration that is also in progress.

Service Life Cycles and Statuses

Service entities are life-cycle managed. As a service transitions through its life-cycle stages, different service statuses are assigned to the service. The default life cycle and service transition statuses are delivered with the application; however, you can modify the wording and extend the life cycles. See *UIM Developer's Guide* for more information on extending service life cycles.

Figure 4-8 shows the default service life cycle and status assigned to a service at each stage of its life cycle.

Figure 4-8 Service Life Cycle

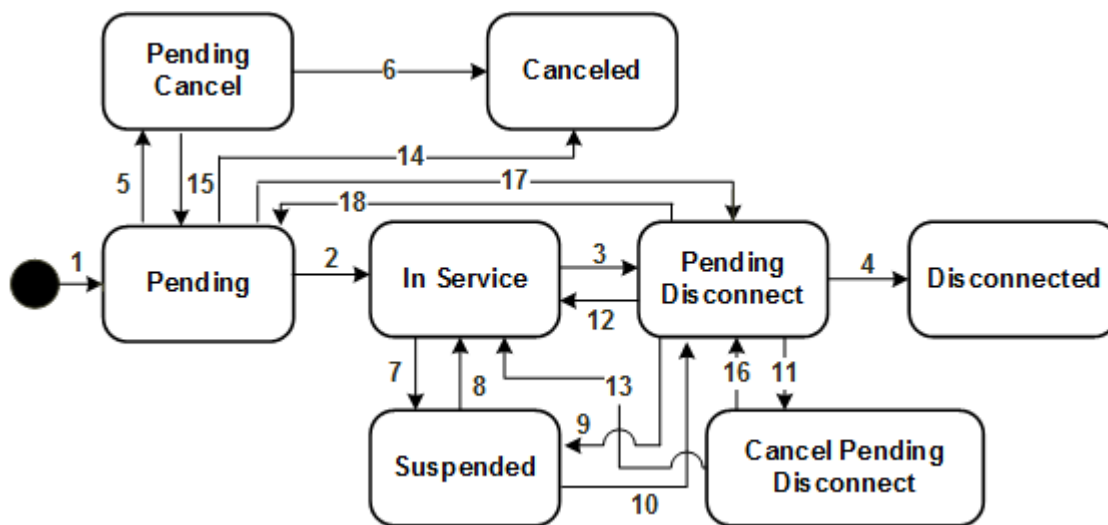


Table 4-13 describes the actions associated with each number in Figure 4-8 and the resulting status changes.

Table 4-13 Service Status Flow

Label Number	Description	Status
1	Create service.	Pending
2	Complete the first configuration or complete service with no configuration.	In Service
3	Disconnect service.	Pending Disconnect
4	Complete configuration to disconnect service.	Disconnected
5	Service is canceled after configuration is issued.	Pending Cancel
6	Complete pending cancel.	Canceled
7	Suspend a service that is in In Service status.	Suspended
8	Resume suspended service.	In Service
9	Suspend a service that is in Pending Disconnect status.	Suspended
10	Disconnect a suspended service that was in In Service status before it was suspended. OR Resume a suspended service that was in Pending Disconnect status before it was suspended.	Pending Disconnect
11	Cancel the disconnect of the service when the configuration has been issued.	Cancel Pending Disconnect
12	Cancel the pending disconnect when the configuration has not yet been issued.	In Service
13	Complete the cancel pending disconnect.	In Service
14	Service is canceled with no configuration or with one configuration version that has not yet been issued.	Canceled
15	Cancel a pending cancel service.	Pending
16	Cancel the cancel pending disconnect.	Pending Disconnect
17	Disconnect a service and the service has pending configurations.	Pending Disconnect
18	Cancel the service order that contains the service in Pending Disconnect status.	Pending

Table 4-14 provides a definition and business context for each service status.

Table 4-14 Service Status Definitions

Service Status	Definition	Business Context
Pending	The service has been requested and the design for that service is being developed.	After the design is completed and the service is activated, the service status changes to In Service. If service is canceled and there is no configuration, or the configuration has not yet been issued, the status goes to Canceled. If service is canceled and configuration is issued, service goes to Pending Cancel.
In Service	The service has been provisioned and is in use.	When a request is made to disconnect the service, the service status changes to Pending Disconnect. If the service is suspended, the service status is Suspended.
Pending Disconnect	A request was made to disconnect the service.	After the request to disconnect the service is completed, the status changes to Disconnected. If the request to disconnect the service is canceled and the configuration has not been issued, the service status changes to In Service. If the request to disconnect the service is canceled and the configuration has been issued, the status changes to Cancel Pending Disconnect.
Disconnected	A service that was functional is now disconnected.	When a service has this status, a new service must be created to re-establish the service.
Suspended	A service has been suspended, but all resource assignments are still active.	A service that is temporarily nonfunctional has a status of Suspended. The resource assignments are still maintained with a resource assignment status of Assigned. The status will change to one of these statuses depending on the action taken: <ul style="list-style-type: none"> • Pending Disconnect: If the service must be disconnected. • In Service: If the suspension was resolved.
Pending Cancel	A request has been made to cancel a service.	When the request to cancel the service is completed, the status is changed to Canceled and that service cannot be revived without a new service order.

Table 4-14 (Cont.) Service Status Definitions

Service Status	Definition	Business Context
Canceled	A request for a service is canceled and there is no configuration or the configuration has not yet been issued.	When a request for a new service is canceled, a new service must be requested to re-establish the service.
Cancel Pending Disconnect	A disconnect of a service is canceled and the configuration has been issued.	When a cancel pending disconnect request is completed, the service goes to In Service. When a cancel pending disconnect request is canceled, the service goes to Pending Disconnect.

Table 4-15 shows valid combinations of statuses that occur for services and their assigned resources.

Table 4-15 Service and Resource Assignment Status Combinations

Service Status	Resource Assignment Statuses
Pending	Pending Assign
In Service	Pending Assign Assigned Pending Unassign
Pending Disconnect	Pending Unassign
Disconnected	Disconnected Unassigned
Suspended	Assigned Pending Unassign Pending Assign
Canceled	<i>To previous status</i>
Pending Cancel	Pending Assign
Cancel Pending Disconnect	Pending Unassign

Configuration Life Cycles and Statuses

Figure 4-9 shows the configuration statuses used for services, logical devices, logical device accounts, pipes, places, and networks. Figure 4-9 also shows the design status assigned to each configuration at each stage of its life cycle.



Note:

Connectivity entities do not have configurations, but they have design versions that follow the same life cycle.

Figure 4-9 Configuration Life Cycle

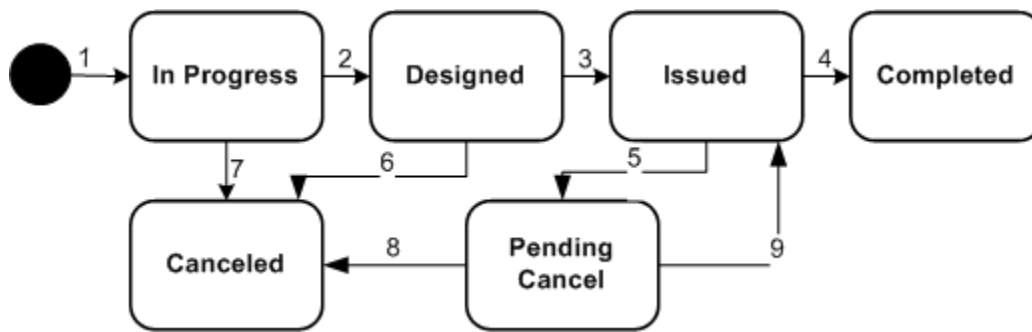


Table 4-16 describes the actions associated with each number in Figure 4-9 and the resulting status changes.

Table 4-16 Configuration Status Flow

Label Number	Description	Status
1	Create configuration.	In Progress
2	Approve configuration.	Designed
3	Issue configuration.	Issued
4	Complete configuration.	Completed
5	Cancel issued configuration.	Pending Cancel
6	Cancel designed configuration.	Canceled
7	Cancel in progress configuration	Canceled
8	Complete a pending cancel configuration.	Canceled
9	Cancel a pending cancel configuration.	Issued

Table 4-17 presents a definition and business context for each configuration status.

Table 4-17 Configuration Status Definitions

Configuration Status	Definition	Business Context
In Progress	The configuration for the requested service has been started.	This is set automatically when the configuration is created. The configuration status changes to Designed when the service configuration has been fully developed. The configuration status is set to Canceled when an order that initiated the configuration is canceled. If multiple pending configuration functionality is enabled, then more than one configuration for a service can be in progress.

Table 4-17 (Cont.) Configuration Status Definitions

Configuration Status	Definition	Business Context
Designed	The configuration has been fully developed and is complete.	Transitions from the In Progress status when the design has been approved for the configuration. The configuration status changes to Issued when sent to the field or upon activation. The status changes to Canceled when the order that initiated the design is canceled.
Issued	The configuration for the requested service has been sent to the field for the physical work and the network element work to be done.	After the configuration is sent to the field and the work is completed, the configuration status changes to Completed. If the issued configuration is incorrect or the service is canceled, the status changes to Pending Canceled to allow for reversal of field work.
Completed	The configuration for the requested service has been implemented.	After the configuration has been implemented, the configuration status changes to Completed and the service transitions from Pending to In Service when the first version is completed. Completed is an ending state for the service configuration status life cycle.
Pending Cancel	A request for the service is canceled after the configuration is issued or a request to cancel a configuration is made after the configuration has been issued.	If a Pending Cancel for a service configuration is canceled, the configuration status goes back to Issued. If a Pending Cancel for a service configuration is completed, the configuration status goes to Canceled.
Canceled	A request for the service or the service configuration has been canceled and any field work that needed to be reversed is completed.	After the configuration and field work for a canceled configuration has been completed, the service configuration status for that service changes to Canceled. Canceled is an ending state for the service configuration status life cycle.

Table 4-18 lists the combinations of statuses that are possible for services and their associated service configurations.

Table 4-18 Service and Configuration Status Combinations

Service Status	Configuration Statuses
Pending	In Progress Designed Issued

Table 4-18 (Cont.) Service and Configuration Status Combinations

Service Status	Configuration Statuses
In Service	In Progress Designed Issued Completed Pending Cancel Canceled
Pending Cancel	Pending Cancel
Pending Disconnect	In Progress Designed Issued Completed Canceled
Disconnected	Completed Canceled
Suspended	In Progress (change requests only that were performed before suspend) Designed (change requests only that were performed before suspend) Issued Completed Pending Cancel (change requests only that were performed before suspend) Canceled
Cancel Pending Disconnect	Pending Cancel Canceled Completed
Canceled	Canceled

Status Examples

Figure 4-10 shows the resource assignment statuses as a service is created and goes through its life cycle.

Figure 4-10 Creating Service and Resource Assignments

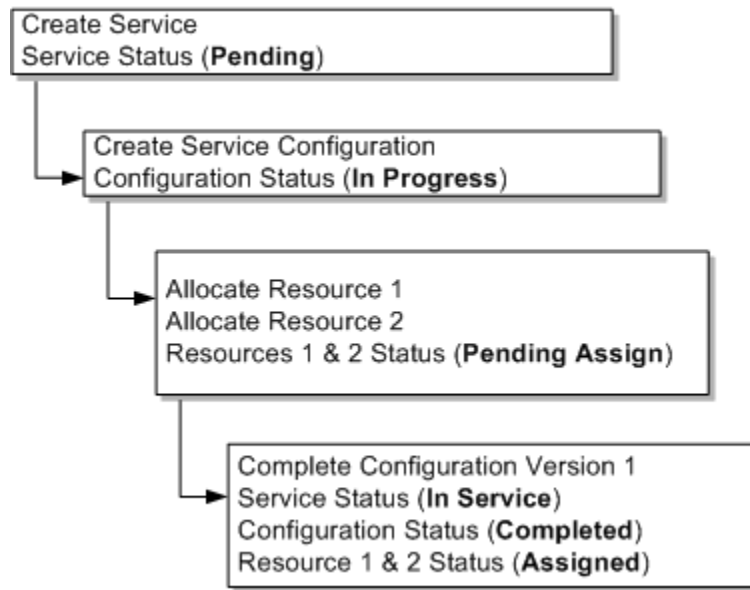
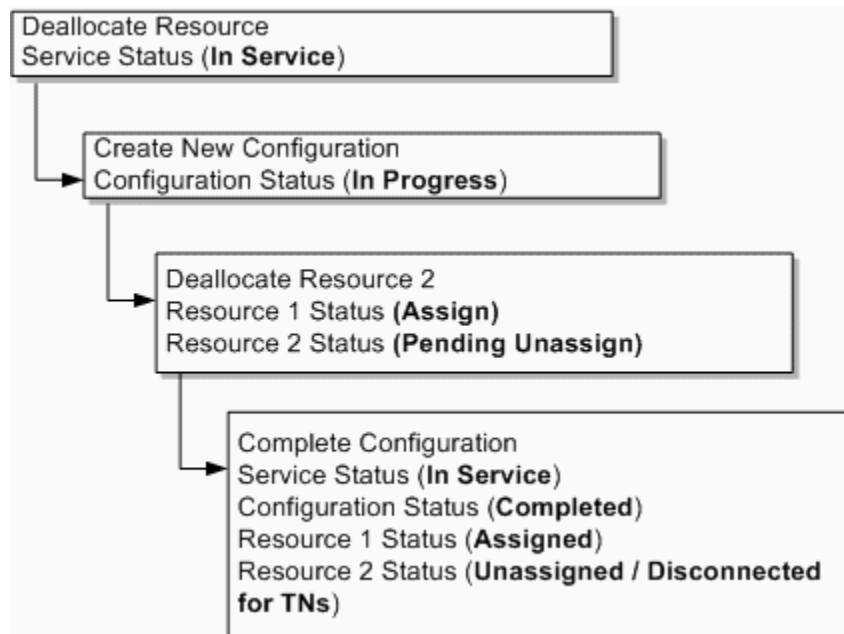


Figure 4-11 shows the resource assignment statuses as a resource is unassigned from a service.

Figure 4-11 Unassigning a Resource



For examples of resource status values for multiple pending configurations, see "[About Multiple Pending Configurations](#)" in *Core Functionality*.

Business Interaction and Engineering Work Order Life Cycles and Statuses

Business interactions and engineering work orders allow you to plan resource changes that you want to put in service at a later date.

Figure 4-12 shows the life cycle for business interactions and engineering work orders. See Figure 4-2 to view the resource life cycles in context of a business interaction.

Figure 4-12 Business Interaction Life Cycle

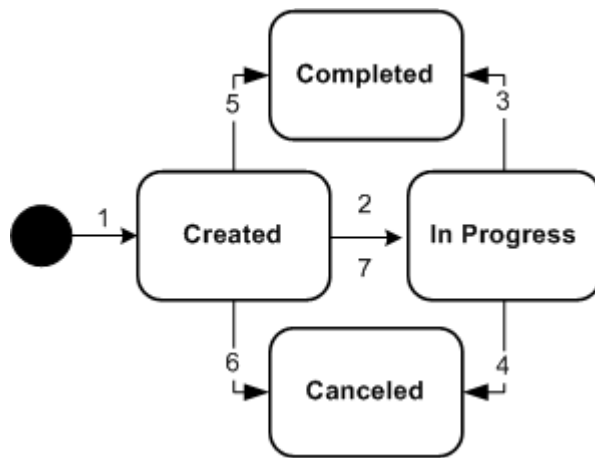


Table 4-19 describes the actions associated with each number in Figure 4-12 and the resulting changes.

Table 4-19 Business Interaction and Engineering Work order Status Flow

Label Number	Description	Status
1	Create business interaction or work order.	Created
2	Add items.	In Progress
3	Complete business interaction or work order.	Completed
4	Cancel in progress business interaction or work order.	Canceled
5	Complete the created business interaction or work order.	Completed
6	Cancel the created business interaction or work order.	Canceled
7	Transfer items from one business interaction or work order to another business interaction or work order.	In Progress

Table 4-20 presents a definition and business context for each business interaction or work order status.

Table 4-20 Business Interaction and Engineering Work order Status Definitions

Business Interaction Status	Definition	Business Context
Created	The business interaction or work order is created for a new project.	A business interaction or work order is created, but no work has been started. A business interaction or work order can be completed or canceled from this status.
In Progress	Work has begun on the business interaction or work order.	The business interaction or work order transitions from Created when the user adds items or when a user transfers items from another business interaction or work order. From this status, a user can complete the business interaction or work order or choose to cancel it.
Canceled	The user cancels the business interaction or work order.	A business interaction or work order can be canceled when it is in Created or In Progress status.
Completed	Work on all items is complete and the work can now be viewed in current inventory.	The changes in a business interaction or work order become effective when you complete it.

[Table 4-21](#) lists valid combinations of business interaction/work order and resource inventory statuses.

Table 4-21 Business Interaction Statuses and Resource Inventory Status Combinations

Business Interaction or Work Order Status	Resource Inventory Statuses
Created	Not applicable because adding items to the business interaction or work order changes the status to In Progress.
In Progress	Pending Install Pending Remove Pending Unavailable
Completed	End of Life Installed Unavailable
Canceled	Installed Unavailable The resource assignments revert back to the previous state when the business interaction or work order is canceled.

Project and Activity Life Cycles and Statuses

Project entities and the activities that they include have life cycles different from other UIM entities.

Figure 4-13 Project Inventory Life Cycle



Table 4-22 describes the actions associated with each number in Figure 4-13 and the resulting changes.

Table 4-22 Project Status Flow

Label Number	Description	Status
1	Create project.	Created
2	Add activities.	In Progress
3	Manually complete project.	Completed

Table 4-23 presents a definition and business context for each project status.

Table 4-23 Project Status Definitions

Project Status	Definition	Business Context
Created	A new project has been created.	A project has been created, but no activities have been submitted.
In Progress	UIM has begun processing activities in the project.	The projects transitions automatically to In Progress from Created the first time an activity is submitted. The project does not transition to In Progress when an activity is added to it. The project remains in In Progress status until it is completed.
Completed	All activities in the project are completed or canceled and the user has completed the project.	The transition to Completed status is a manual action that is possible only when all activities in the project are completed or canceled.

Activity Life Cycle and Status

Activities are groups of operations that you configure and manage as part of projects. They have life cycles and statuses independent of the projects to which they belong.

Figure 4-14 Activity Life Cycle

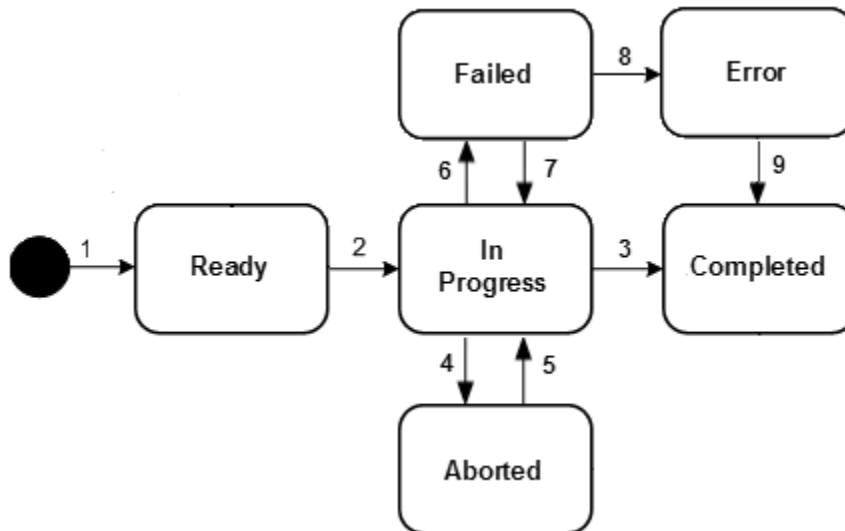


Table 4-24 describes the actions associated with each number in Figure 4-14 and the resulting changes.

Table 4-24 Activity Status Flow

Label Number	Description	Status
1	Add activity to project.	Ready
2	Submit the activity for processing.	In Progress
3	All items in the activity are submitted and processed successfully.	Completed
4	An in-progress activity is canceled prior to completion.	Aborted
5	A canceled activity is resubmitted.	In Progress
6	One or more items in an activity fails during processing.	Failed
7	A failed activity is resubmitted.	In Progress
8	Rollback of items in a failed activity does not succeed.	Error
9	The activity is completed.	Completed

Table 4-25 presents a definition and business context for each activity status.

Table 4-25 Activity Status Definitions

Activity Status	Definition	Business Context
Ready	A new activity has been added to a project.	An activity has been added to a project, but has not been submitted for processing.
In Progress	The activity has been submitted to UIM for processing.	The activity transitions automatically to In Progress status when you submit it for processing.
Completed	All items in the activity have been processed successfully.	The activity transitions automatically to Completed status when all items have been completed successfully.
Aborted	The activity has been canceled before completion.	Canceled activities can be resubmitted as-is or after modification.
Failed	One or more items has failed to complete successfully.	Failed activities can be resubmitted as-is or after modification.
Error	One or more transactions could not be rolled back when the activity failed. This can occur when entities are changed after the activity is configured but before it is processed.	It may be necessary to complete manual actions to resolve issues caused by the error.

Activity Item Life Cycle and Statuses

Activity items are individual tasks that must be done to complete an activity. There are two types of activity items:

- Change items identify entities to be added, changed, or removed when the activity is processed.
- Impact items identify entities that are added, changed, or removed as a result of completing change items. Impact items are the indirect results of activities.

Change Item Life Cycle and Statuses

[Figure 4-15](#) illustrates the status flow of change items.

Figure 4-15 Change Item Status Flow

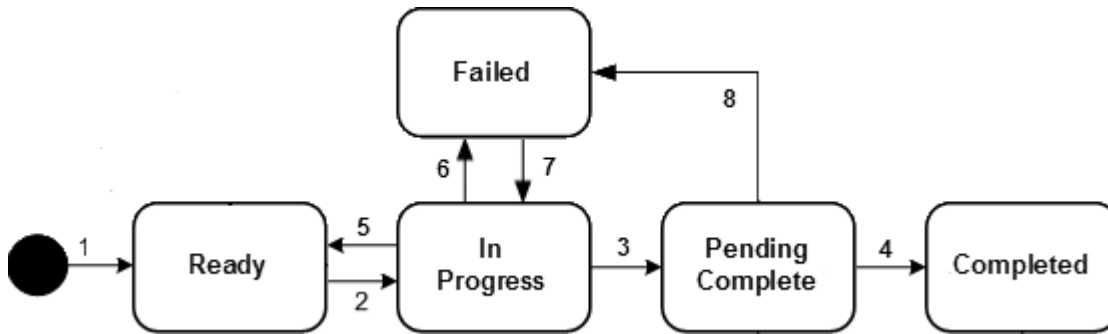


Table 4-26 describes the actions associated with each number in Figure 4-15 and the resulting changes.

Table 4-26 Change Item Status Flow

Label Number	Description	Status
1	The change item is added as part of activity configuration.	Ready
2	UIM submits the change item for processing.	In Progress
3	The change item has been processed without any errors	Pending Complete
4	After all change items in the activity are processed successfully, UIM completes them.	Complete
5	The parent activity is canceled prior to completion.	Ready
6	The change item fails during processing (The parent activity fails as a result.)	Failed
7	The failed parent activity is resubmitted.	In Progress
8	The parent activity fails before all change items are completed.	Failed

Table 4-27 presents a definition and business context for each change item status.

Table 4-27 Change Item Status Definitions

Change Item Status	Definition	Business Context
Ready	A new activity has been added to a project.	An activity has been added to a project, but has not been submitted for processing.
In Progress	The change item has been submitted to UIM for processing.	The change item transitions automatically to In Progress status when UIM begins to process it.

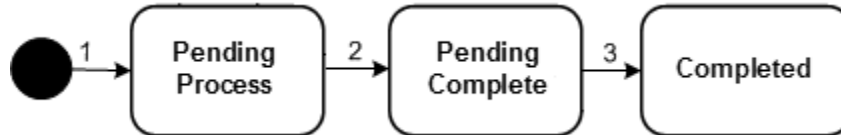
Table 4-27 (Cont.) Change Item Status Definitions

Change Item Status	Definition	Business Context
Pending Complete	The change item has been processed but other change items are still being processed.	The change item transitions to this status automatically after processing.
Completed	This change item and other items in the activity have been processed successfully.	The change item transitions automatically to this status when all items in the activity have been processed successfully.
Failed	The change item has failed to complete successfully.	Change items transition to this status automatically when they failed to be processed successfully.

About Impact Items

Impact items are created as an indirect result of change items. They have a separate life cycle. [Figure 4-16](#) illustrates the status flow of impact items.

Figure 4-16 Impact Item Status Flow



[Table 4-28](#) describes the actions associated with each number in [Figure 4-16](#) and the resulting changes.

Table 4-28 Impact Item Status Flow

Label Number	Description	Status
1	The impact item is created by UIM during the processing of an activity.	Pending Process
2	The impact item has been processed successfully, but other items in the activity are still being processed.	Pending Complete
3	The impact item and other items in the activity have been processed successfully.	Completed

[Table 4-29](#) presents a definition and business context for each impact item status.

Table 4-29 Impact Item Status Definitions

Impact Item Status	Definition	Business Context
Pending Process	The impact item has been created but not yet processed.	UIM creates impact items in this status when required during the processing of an activity.
Pending Complete	The impact item has been processed successfully.	The impact item transitions automatically to this status after it has been processed.
Completed	All activities in the project are completed or canceled and the user has completed the project.	The impact item transitions automatically to this status when all items in the activity have been processed successfully.

5

Core Functionality

This chapter describes Oracle Communications Design Studio and Oracle Communications Unified Inventory Management (UIM) core functionality. This functionality supplies the infrastructure that you use to manage your inventory.

Much of the core functionality is provided by the UIM common patterns and the entities that enable them. Search functionality is provided by the application framework. See "[Core Platform](#)" for more information.

This chapter includes information about the following functionality:

- [Searching](#)
- [Configurations](#)
- [Capacity](#)
- [Consumption](#)
- [Involvements](#)
- [Topology](#)
- [Entity Identification](#)

Lifecycle management is also provided by the core platform, but is covered in a separate chapter. See "[Life Cycles and Statuses](#)" for more information.

Searching

UIM provides a search framework that enables you to find entities based on a wide variety of criteria that depend on the entity type. You can combine criteria for an even more specific search. For example, you could search for all Equipment entities that are based on a particular specification and are in the **Pending Install** inventory status. By default, you can search for the data elements that are common to all entities of the same type. You can also add additional search criteria corresponding to the characteristics that have been defined in specifications of the same type. By adding additional fields to the search criteria, you can also search for entities based on characteristics that have been defined in specifications of a particular entity type.

For example, if one Place specification includes a characteristic called **Elevation** and another includes a characteristic called **Sales Area**, you can include one or both of those characteristics in a search for Place entities.

For some entity types, you can search by relationships. For example, you can search for equipment based on relationships to physical devices, logical devices, and places. You can search for pipes based on relationships to terminating points, networks, and logical devices. You can also search for inventory groups based on relationships to places.

[Figure 5-1](#) shows the Search page for Equipment entities, which enables you to search on standard equipment data elements.

Figure 5-1 Equipment Search Page

The screenshot shows a search interface for equipment. It features a 'Search' section with various filters: ID (Starts With), Specification, Vendor Name (Starts With), Model Number (Starts With), Inventory Status, and Role. To the right, there are additional filters: Name (Starts With), Network Location (Starts With), Equipment Type, Part Number (Starts With), Assignment Status, and Serial Number (Starts With). Below these filters are three expandable sections: 'Physical Device', 'Logical Device', and 'Place'. At the bottom right, there are buttons for 'Search', 'Reset', 'Save...', and 'Add Fields'. A 'Saved Search' dropdown menu is set to 'Equipment Search'.

You can save search criteria that you use frequently. For example, if you often search for Equipment entities of a particular model number and vendor, you can save those criteria for reuse. You can designate a saved search as the default search for an entity type. The default search criteria appear automatically when you open the Search page for that entity type.

You can also expand the Search section to search for equipment based on associations to a physical device, logical device, or place. [Figure 5-2](#) shows the Physical Device section expanded.

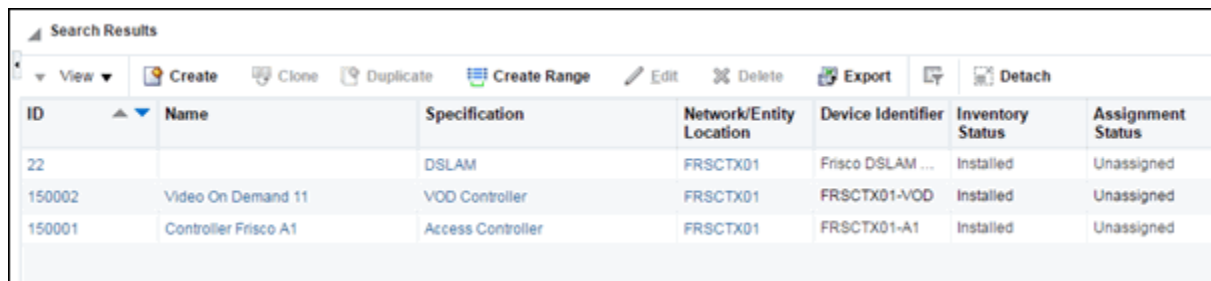
Figure 5-2 Expanded Entity Search

This screenshot shows the search interface with the 'Physical Device' section expanded. The main search filters remain the same as in Figure 5-1. The expanded 'Physical Device' section includes filters for ID (Starts With), Specification, Inventory Status, Role, Physical Address (Starts With), Name (Starts With), Network Location (Starts With), Assignment Status, Status, Serial Number (Starts With), and Physical Location (Starts With). The 'Logical Device' and 'Place' sections are collapsed. The 'Saved Search' dropdown remains set to 'Equipment Search'.

When the results of a search are displayed, you can select entities and perform actions on them. The actions you can take depend on entity type. For a Logical Device

search, for example, you can edit, duplicate, or delete from the Search Results section. [Figure 5-3](#) shows results from a search for Logical Device entities.

Figure 5-3 Search Results Section



ID	Name	Specification	Network/Entity Location	Device Identifier	Inventory Status	Assignment Status
22		DSLAM	FRSCTX01	Frisco DSLAM ...	Installed	Unassigned
150002	Video On Demand 11	VOD Controller	FRSCTX01	FRSCTX01-VOD	Installed	Unassigned
150001	Controller Frisco A1	Access Controller	FRSCTX01	FRSCTX01-A1	Installed	Unassigned

Searching for Pending Resources

Search results for resources in pending Inventory or Assignment statuses include information about the date when the pending status will be resolved. These search results also include information about the source of the pending status (business interactions and engineering work orders for Inventory status; configurations and connectivity design versions for Assignment statuses.) You use this information to determine whether you can assign or reference a resource. See "[About Assigning Pending Resources](#)" for more information.

[Figure 5-4](#) illustrates the display of this information in search results.

Figure 5-4 Lifecycle Information in Search Results

Inventory Status	Assignment Status
Pending Install Due On : 12/21/2015 BI : 2 - EWO DEMo	Unassigned
Pending Remove Due On : 12/21/2015 BI : 4 - BI2	Unassigned
Pending Unavailable Due On : 12/22/2015 BI : 11 - deactivate...	Unassigned
Installed	Unassigned
Installed	Unassigned
Installed	Pending Assign Due On : 12/24/20... Config : Se_20_1

Searching by Using Web Services

You can include searches when you interact with UIM by using web services. Custom web service operations can include calls to the search methods provided by the Finder class. See *UIM Web Services Developer's Guide* for information about creating and deploying custom web services.

Configurations

Some entity types can optionally be associated with configurations. A configuration is a versionable collection of facts about an entity, such as the design details of a service or the hardware resources associated with a logical device.

For entities that have configurations, basic information that is likely to stay the same over time, such as the name and description, are stored as part of the entity itself. Information that can change over time, such as the specific hardware that makes up a logical device or the resources required to fulfill a service, are stored in the entity configuration. For example, a customer might maintain a DSL service for a long period, but the router used for that service could change over time, as could the phone numbers and associated email accounts.

Configurations can be versioned, enabling you to maintain a history of how the entity has evolved over time. You can access previous versions in read-only form.

The following entity types can have configurations:

- Flow interfaces
- Logical devices
- Logical device accounts
- Networks
- Pipes
- Places (of type Site only)
- Services

Connectivity entities do not have configurations, but they do have design versions, which are similar. See "[About Design Versions](#)" for more information.

Configurations include configuration items, which you use to specify the details of the configuration. For example, you use configuration items to specify the resources that enable a service. You can associate resources to configuration items in two ways:

- **Assignment.** When you assign a resource to a configuration item, that resource is consumed. For example, in a consumer VoIP service, you can assign a handset to the service configuration. In most cases, the resource can be consumed only once, so allocation places it in **Assigned** state. See "[Consumption](#)" for more information about consumption.
- **Reference.** When you reference an entity from a configuration, you indicate that the configuration has an interest or dependency in the entity but does not consume it. For example, a cable subscription service requires a cable controller but does not consume it. In this case, a configuration item would reference the controller rather than assigning it. See "[Understanding Entity References](#)" for more information about entity references.

Configuration items can also include characteristics that enable you to capture specific details. To organize configuration items and put them in context, you can arrange them in a hierarchy.

As the configuration of an entity changes, you create successive configuration versions that describe its composition at various times. Only one version can be in service at a time.

Some services can have multiple pending configurations where more than one configuration is in progress at a time. See "[About Multiple Pending Configurations](#)" for information on this functionality.

Understanding Configuration Specifications

Like other entities, configurations are defined by specifications. You define configuration specifications and relate them to entity specifications in Design Studio. Each configuration-enabled entity type has a corresponding configuration type. For example, you can associate a Logical Device Configuration specification only to a Logical Device specification.

You can associate a configuration specification with multiple entity specifications of the same type. You can also associate a single entity specification with multiple configuration specifications. For example, you can associate multiple Logical Device specifications with a single Logical Device Configuration specification and you can associate a single Logical Device specification with multiple Logical Device Configuration specifications.

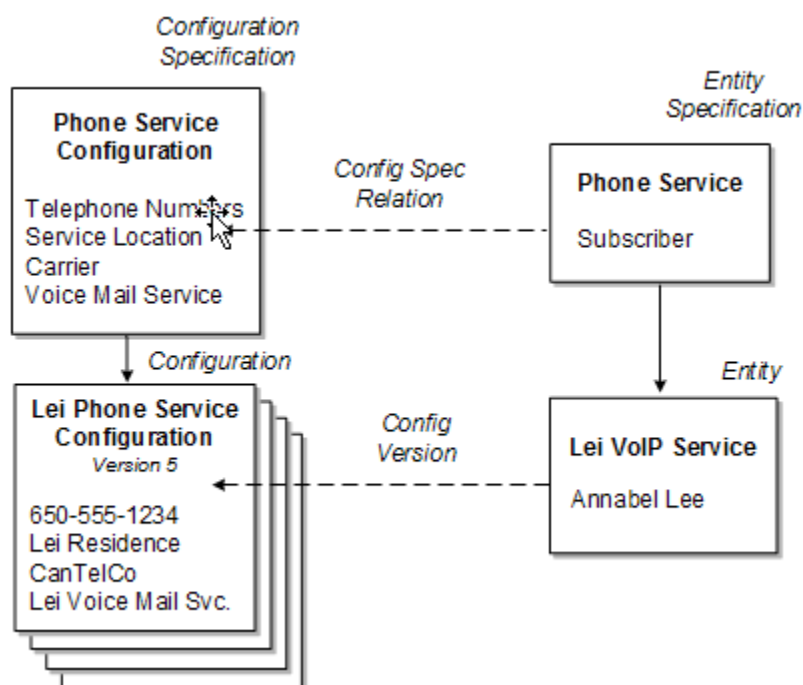
When you define a configuration specification, you define its configuration items. The specification defines how configuration items are organized, whether they are required, the minimum and maximum number of resources that can be assigned or referenced in the item, and any characteristics associated with them. See the Design Studio Help for more information about defining configuration items.

Configuration Example

[Figure 5-5](#) illustrates the relationships among entity specifications, configuration specifications, entities, and configuration versions. A Service specification for a telephony service is associated to a Service Configuration specification. The service itself stores only the subscriber name. The configuration stores the service location, carrier, one or more telephone numbers, and so on.

Initially, a Service entity based on the entity specification is created in UIM. Then successive configuration versions based on the configuration specification store the relevant information as it changes over time.

Figure 5-5 Specifications, Entities, and Configuration Versions



Maintaining Configurations in UIM

When an entity in UIM is associated with a configuration specification, you can create configuration versions for that entity. The configuration versions are based on the configuration specification associated with the entity specification. (If an entity specification is associated with multiple configuration specifications, you select which configuration specification to use.)

Configuration versions have a life cycle so that you can develop a new configuration version while a previous one is still valid. See "[Configuration Life Cycles and Statuses](#)" for more information. When you create a new configuration version, the values of the old one are copied. You modify and add to these values as necessary. When you complete a configuration version, it becomes active, replacing the previous one.

For example, if you are replacing the handset in a VoIP service, you create a new configuration version that includes the new device. When the handset is activated, the new configuration version is complete, replacing the previous version.

About Multiple Pending Configurations

UIM supports multiple pending configurations, which means that more than one configuration may be in progress at a given time. Multiple pending configuration functionality is only available for non-network services. You determine if a service is a network service by the **Network Oriented Service Type** attribute setting on the service entity. For network services, only one configuration can be in progress at a time.

The multiple pending configuration functionality is enabled by the **uim.mpcenabled** system property in the **system-config.properties** file. The default is for the

functionality to be enabled. See *UIM System Administrator's Guide* for information on this property. You can also create multiple pending configurations for a service using the Service Fulfillment Web Service. See *UIM Web Services Developer's Guide* for more information.

You can create an in-progress configuration before or after any existing in-progress configuration when:

- The multiple pending functionality is enabled in the **system-config.properties** file.
- Each configuration version is associated to its own Business Interaction.

The effective date on the Business Interaction determines the start date value for the configuration. You can create configurations before or after a configuration that is in progress, however the start date must always be on or after the current date.

Each pending configuration version must have a different start date; no two pending configuration versions can have the same start date.

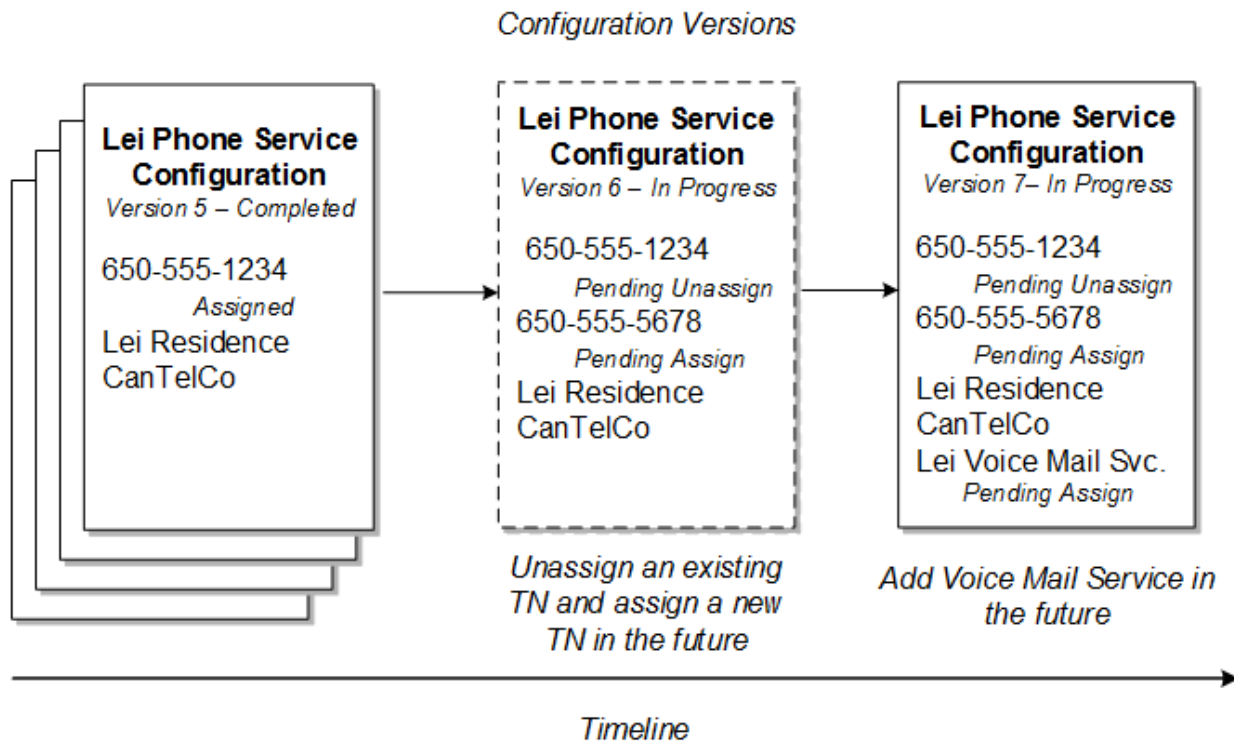
Adding and Removing Resources

With multiple pending configuration functionality, you can add and remove resources across multiple configuration versions that are in progress. Any resource-related changes, such as adding or removing resources, that you make in the current pending configuration version is cascaded into the future-dated pending configuration versions.

For example, from our previous configuration example in [Figure 5-5](#), you can create a new configuration version and add a new telephone number in a future-dated configuration. You can also remove a telephone number in a future-dated configuration which is further in the future than the addition. This results in two configuration versions being in progress.

[Figure 5-6](#) shows how the resource statuses change as changes are made in the future-dated configurations. In this example, version 5 is the latest configuration in Completed status, and you create version 6 with a new telephone number (650-555-5678) added to the Lei Phone Service. In version 6, you also unassign the existing telephone number from the Lei Phone Service. Then, you create another configuration, version 7, with a date later than version 6, and add a voice mail service. The result is two configuration versions that are in progress. For the telephone number configuration items, there is now one Pending Assign telephone number, and one Pending Unassign telephone number.

Figure 5-6 Adding and Removing Resources in Future Configurations



Inserting a Configuration Version Between Two Others

If you create a configuration with a start date in between two in-progress configurations, UIM reorders the configuration versions. Any resource-related changes, such as adding or removing resources, that you make in the newly inserted configuration is cascaded into the future-dated pending configurations.

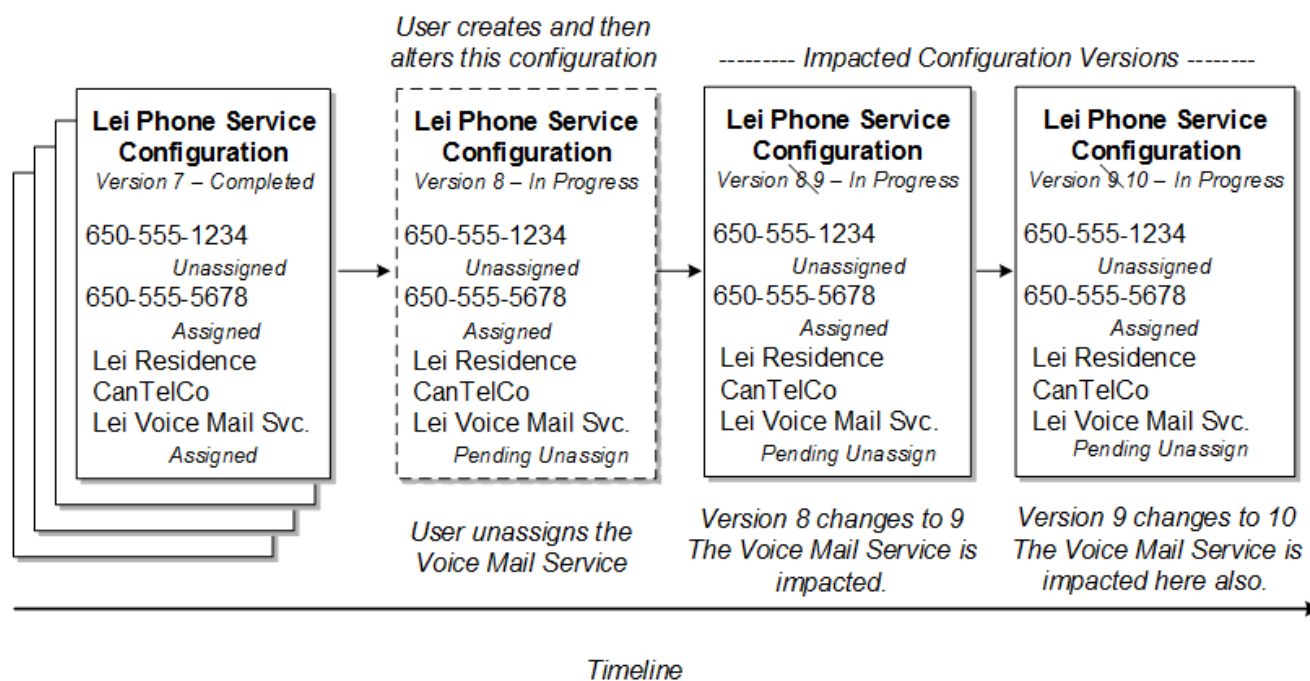
For example, for the Lei Phone Service, if you remove or unassign the voice mail service in a new configuration that is before the start date of version 8, and after version 7, the result is an inserted configuration and a reordering of the later versions.

The later versions are also impacted by having the voice mail service change to a Pending Unassign status for the resource on those configuration items.

Figure 5-7 shows the resulting configuration version changes. The inserted configuration version is shown in the dashed box as the new version 8. The existing version 8 configuration changes to version 9, and similarly, the existing version 9 changes to version 10. The configuration version numbers are in order of their respective start dates.

Each configuration version is associated to a Business Interaction and each Business Interaction effective date determines the configuration version start date.

Figure 5-7 Inserting a Configuration and the Impacted Configuration Versions



Changing the Start Date of a Configuration Version

If you change the effective date on the Business Interaction, it also changes the start date of the associated configuration version. Changing this date can affect the order of the configuration versions.

Note:

You can only change the start date on a configuration version when it is not associated to a Business Interaction. If the configuration version is associated to a Business Interaction, then the date can only be modified on the associated Business Interaction itself.

Changing the Start Date to an Earlier Date

If more than one configuration is in progress, you must consider the following points before changing the start date of a configuration version to an earlier date:

- You cannot move a changed or updated configuration item before a configuration version that created or added the assignment or reference.
- You cannot move a configuration item having a second assignment or reference before a configuration version that has updated the first assignment or reference.
- You can move a configuration item having a pending assignment before a configuration version that has the same resource assignment; however, if you do so, the existing resource assignment will be automatically removed.

 **Note:**

Ensure configuration version start date changes are the same for referencing and de-referencing items as the changes for assignments.

Changing the Start Date to a Later Date

If more than one configuration is in progress, you must consider the following points before changing the start date of a configuration version to a later date:

- You cannot move a changed or updated configuration item if there is any update on the assignment in between two in-progress configuration versions.
- You cannot move a configuration item having a second assignment or reference after a configuration version that has updated this assignment or reference in between two in-progress configurations.
- You cannot move a configuration item that has been changed or updated and that has a pending assignment or pending reference, after a configuration version that has added a second assignment.

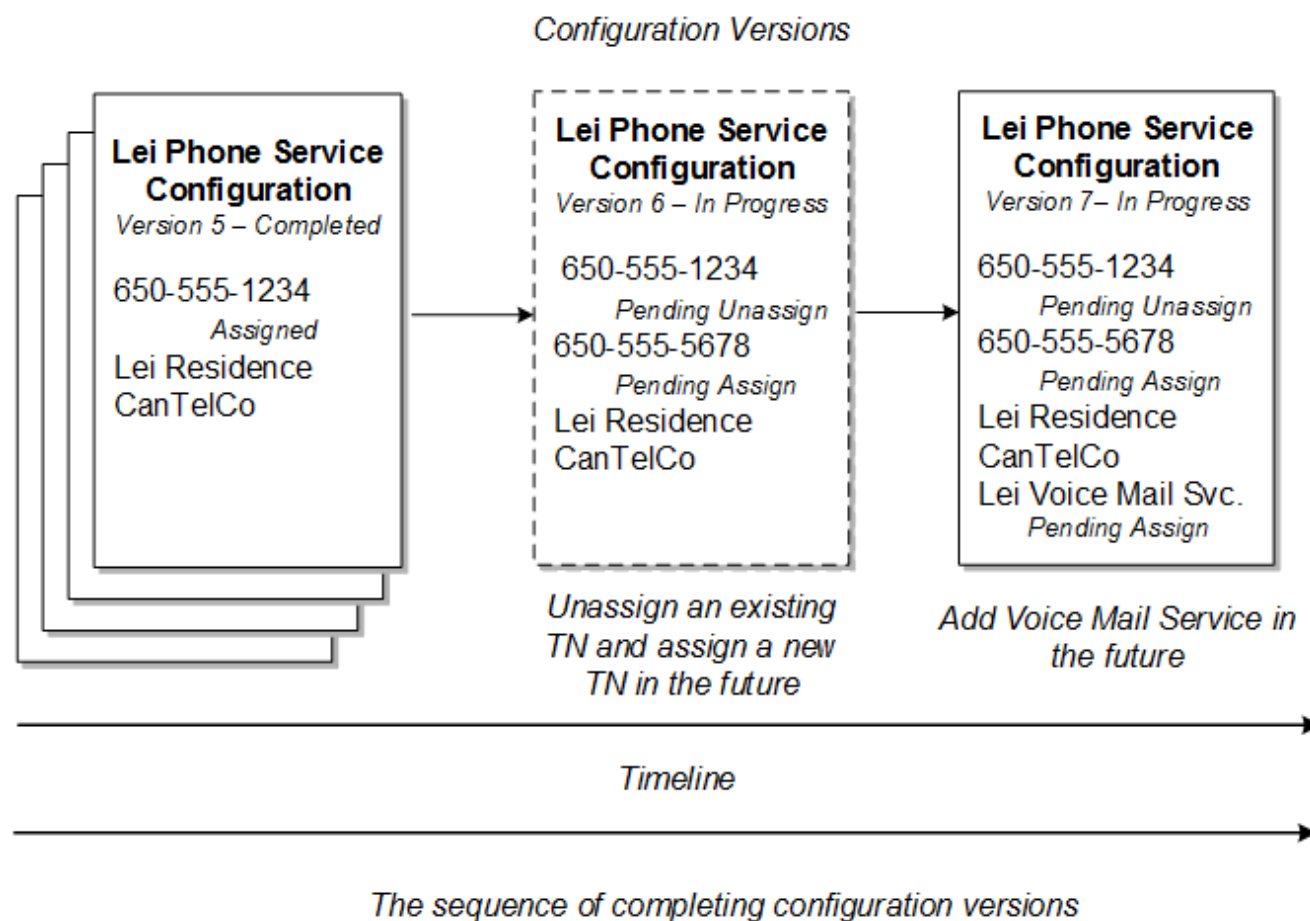
 **Note:**

Ensure configuration version start date changes are the same for referencing and de-referencing items as the changes for assignments.

Completing a Configuration

With multiple pending configuration functionality, you can complete configuration versions that are in progress. If a Service entity contains multiple pending configuration versions, you must first complete the initial version of the pending configuration before completing the immediate succeeding version. For example, if a service configuration contains five configuration versions, you must first complete configuration version 1, and then complete configuration version 2, and so on. For example, in [Figure 5-8](#), you must first complete configuration version 6, and then complete configuration version 7, and so on.

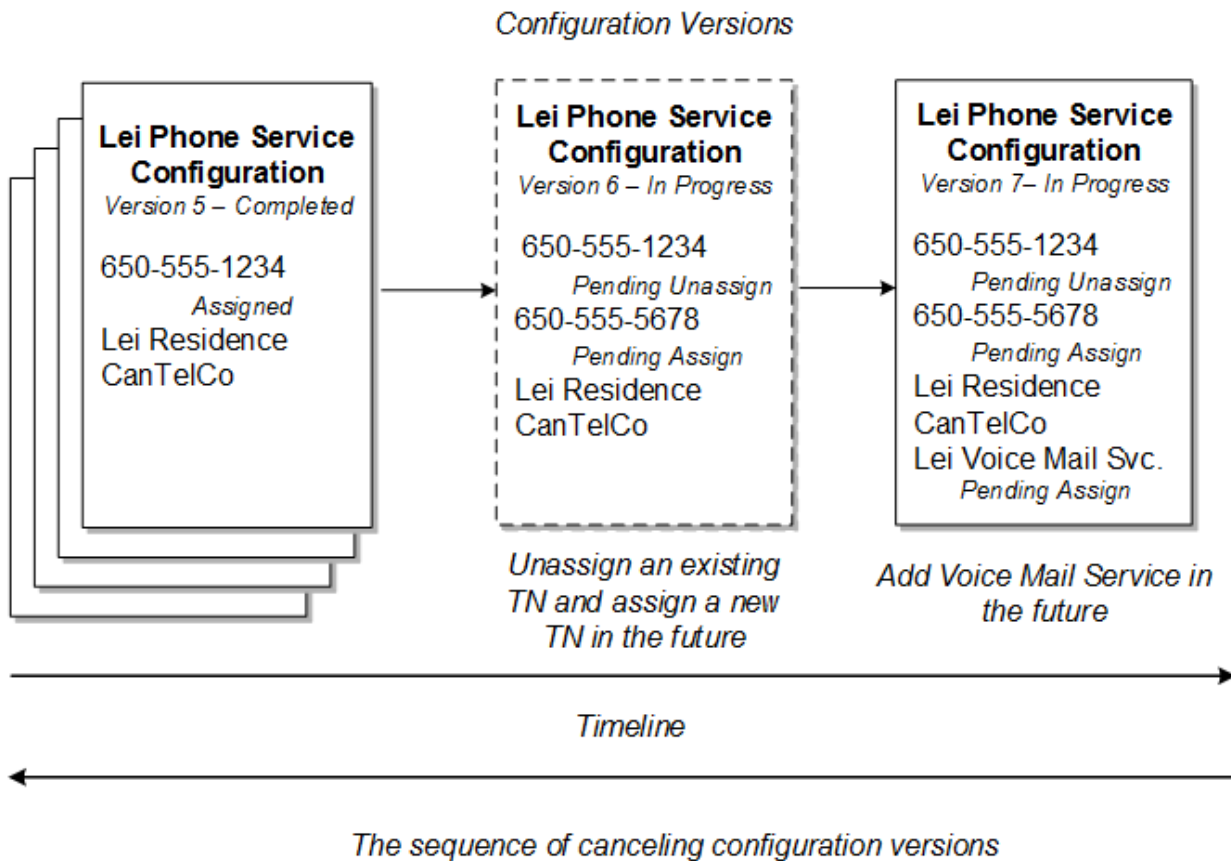
Figure 5-8 Sequence of Completing Configuration Versions



Canceling a Configuration

With multiple pending configuration functionality, you can cancel configuration versions that are in progress. If a Service entity contains multiple pending configuration versions, you must first cancel the latest version of the pending configuration before canceling the immediate preceding version. For example, in [Figure 5-9](#), you must first cancel configuration version 7, and then cancel configuration version 6, and so on.

Figure 5-9 Sequence of Canceling Configuration Versions



Disconnecting a Service with Multiple Pending Configurations

With multiple pending configuration functionality, you can disconnect a service in In Service status having multiple pending configurations, with each pending configuration version associated to a different Business Interaction.

When you disconnect a service in In Service status having multiple pending configurations, a new disconnect configuration version is created after the latest pending configuration version, and the service status transitions from In Service to Pending Disconnect. The default for the start date of the disconnect configuration version is the date of the latest pending configuration version plus one calendar day.

You must create a new business interaction and associate it with the disconnect configuration version to perform actions on the disconnect configuration version. You can create an in-progress configuration version for the service that is in Pending Disconnect status, provided that the effective date of the in-progress configuration version you are creating is less than that of the disconnect configuration version.

If a service having multiple in-progress configuration versions is in Pending status, you can still disconnect the service, in which case the service status transitions from Pending to Pending Disconnect.

Capacity

In UIM, capacity refers to the amount and type of something that entities require or provide. UIM provides a capacity framework that enables you to define, measure, and track the usage of capacity.

UIM pipe and signal termination points entities use the capacity framework to manage bandwidth. Bandwidth specifies the speed and amount of data that can be transferred from one place to another. See "[Pipes](#)" for more information about bandwidth.

You use measurement types, units of measure, and capacity types to define capacity and how it is measured. See "[Defining and Measuring Capacity](#)" for more information. You associate Capacity Provided and Capacity Required specifications with other entity specifications to define how they use capacity. See "[Configuring Capacity](#)" for more information.

[Table 5-1](#) list the entities that work together to manage capacity in your network, along with examples of how they are used for bandwidth.

Table 5-1 Capacity Entities and Specification

Entity	Definition	Bandwidth Example
Measurement Type	Classifies how capacity is measured.	Bit rate
Unit of Measure	Quantifies how capacity is measured.	Bits per Second (bps), Kilobits per Second (kbps), Megabits Per Second (Mbps), Gigabits per Second (Gbps)
Capacity Type	Defines the kind of capacity that an entity provides or consumes.	Bandwidth
Capacity Provided	Defines the capacity an entity offers in terms of a total amount and a consumable percentage. The percentage must equal 100% for channelized pipes but can be less than or greater than 100% for packet-switched pipes.	44.736 Mbps at 100% 44.736 Mbps at 200%
Capacity Required	Defines the capacity an entity consumes in terms of an amount required and a unit of quantity of the required amount.	1.544 Mbps

An additional type of capacity-related entity, the signal termination point, is available for use with pipes. Signal termination points enable you to define channelized signal structures that help define capacity for TDM (time-duplex multiplexing) connectivity. See "[Configuring Pipe Capacity](#)" for more information.

Defining and Measuring Capacity

You define capacity by designing measurement types, units of measure, and capacity types in Design Studio. These artifacts reference each other to form a capacity definition that you can use with other entities.

The Base Measurements cartridge includes predefined artifacts related to bandwidth. The cartridge includes a bit rate measurement type, a set of related units of measure including

bps, kbps, Mbps, Gbps, and a bandwidth capacity type. Along with other base cartridges, the Base Measurements cartridge is delivered in the core UIM package. You can find it in the following location when UIM is installed:

UIM_Home/cartridges/base/

See *UIM Cartridge Guide* for more information.

Configuring Measurement Type

Measurement types classify related groups of units of measure. For example, the measurement type bit rate classifies units of measure such as bits per second (bps), kilobits per second (kbps), and so on. See the Design Studio Help for detailed instructions about creating measurement types.

Configuring Units of Measure

Units of measure define the units used to measure capacity in UIM. A unit of measure is a quantity or increment by which something is divided, counted, or described. For example, kbps is a unit that measures a bit rate. Related units of measure are grouped into measurement types.

When you define a unit of measure in Design Studio, you configure the following data elements:

- **Display Unit Value:** The text that is displayed in menus and lists for this unit of measure.
- **Type of Measurement:** The measurement type to which this unit of measure belongs. You specify this property by selecting or creating a measurement type.
- **Default:** Determines whether this unit of measure appears as the default value for its measurement type in menus and lists. Only one unit of measure can be the default for each measurement type.
- **Conversion Factor:** A multiplier used to convert this unit of measure to another unit of measure. For example, for an Mbps unit of measure, you could enter **1000000** as the conversion factor to bps.

The conversion factor is used internally by the UIM capacity framework so that it can determine how much capacity is available, required, and consumed, even when different units of measure are involved. For example, different pipe entities could express their capacity provided or required in kbps and Mbps. Using conversion factors, the capacity framework can convert their capacities to a common unit of measure (bps) to determine whether requirements can be met.

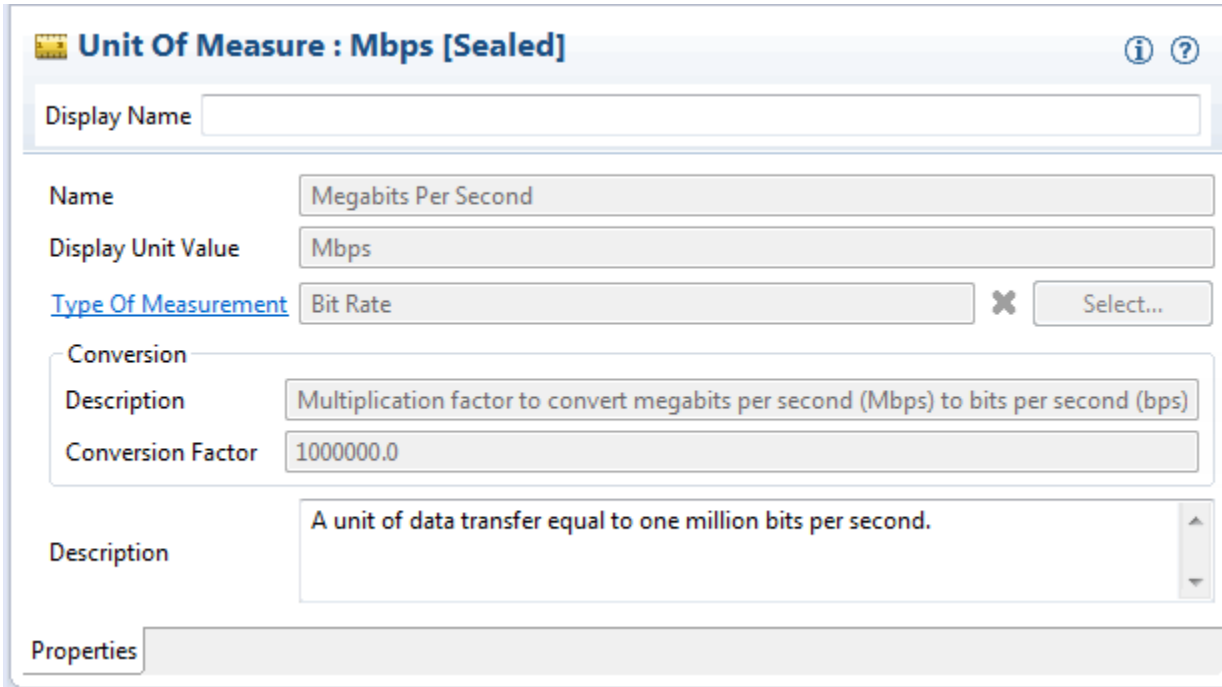
[Table 5-2](#) shows some standard conversions for bit rates.

Table 5-2 Sample Conversion

Unit	Conversion Factor
bps	1
kbps	1000
Mbps	1,000,000

Figure 5-10 shows the **Properties** tab for the Mbps unit of measure with the conversion factor.

Figure 5-10 Unit of Measure



The screenshot shows a configuration window titled "Unit Of Measure : Mbps [Sealed]". It contains the following fields and values:

- Display Name:** (Empty text box)
- Name:** Megabits Per Second
- Display Unit Value:** Mbps
- Type Of Measurement:** Bit Rate (with a "Select..." button)
- Conversion:**
 - Description:** Multiplication factor to convert megabits per second (Mbps) to bits per second (bps)
 - Conversion Factor:** 1000000.0
- Description:** A unit of data transfer equal to one million bits per second.

At the bottom, there is a "Properties" tab.

Configuring Capacity Type

A capacity type defines a kind of capacity that an entity provides or consumes. The bandwidth capacity type is provided in the Base Measurements cartridge. You associate a measurement type to a capacity type to specify how the capacity is measured.

See the Design Studio Help for detailed information about creating and configuring capacity types.

Configuring Capacity

You define Capacity Provided and Capacity Required specifications to define the capacity that entities offer and require. When you associate a Capacity Provided specification with another entity specification, the capacity defined in the Capacity Provided specification is offered by entities that you create in UIM based on that specification. Similarly, when you associate a Capacity Required specification with an entity specification, the capacity defined in the Capacity Required specification becomes an enablement requirement for entities based on the specification.

 **Note:**

You cannot associate Capacity Provided specifications with Pipe entities that are associated with signal structures. These pipes derive their capacity provided from their signal structures. See "[Understanding Capacity and Signal Structure](#)" for more information.

Configuring Capacity Provided

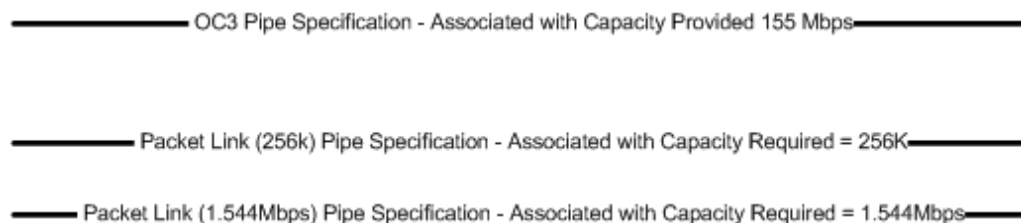
Capacity Provided specifications define the capacity that entities offer. When you configure a Capacity Provided specification, you use the following data elements:

- **Capacity Type:** Determines the type of capacity offered.
- **Total Amount:** The amount of the capacity type that an entity can provide.
- **Unit of Measure:** The units by which the total amount is measured, defined by a unit of measure.
- **Consumable Percentage:** The percentage of the total amount that can be consumed. A consumable percentage over 100% indicates that the capacity can be oversubscribed.

For example, bandwidth is a capacity type that is measured by bit rate. Bit rates are measured in units such as bps or Mbps. Entities such as pipes provide and consume bandwidth at a bit rate that you specify. An OC3 bandwidth pipe can provide 155.52 Mbps, for example, and packet pipes can consume varying rates of that capacity.

[Figure 5-11](#) shows an example of how the entities are set up for packet type pipes that are not channelized.

Figure 5-11 Packet Capacity Example



For example, you can define an OC3 Pipe using the Capacity Provided entity that provides bandwidth of 155.52 Mbps, 100% of which can be consumed. Pipes that can use that capacity are associated with capacity-required entities.

 **Note:**

Pipes and signal termination points are the only entities that can offer capacity by default.

In UIM, when you create an entity based on a specification that includes a relation to a Capacity Provided specification, the provided capacity is automatically associated to the entity. An entity can offer multiple types of capacity, so it can have relationships to multiple capacity-provided entities. An entity specification can be related to only one Capacity Provided specification of a given capacity type, however.

For example, a Pipe specification can be related to only one Capacity Provided specification for the Bandwidth capacity type. If you create another type of capacity that applies to a pipe, the Pipe specification can also be related to one Capacity Provided specification of the new capacity type.

Configuring Capacity Required

A Capacity Required specification defines the capacity that an entity requires. When you configure capacity required, you use the following data elements:

- **Capacity Type:** Determines the type of capacity required.
- **Required Amount:** The amount of the capacity type that an entity requires.
- **Unit of Measure:** The units by which the total amount is measured, defined by selecting a unit of measure.
- **Quantity:** The number of units of the required amount value that an entity requires for a given capacity type. For example, when defining capacity required for a pipe that is enabled by a facility pipe that supports TDM technology at any point in its path, you must set the quantity equal to the number of channels required. Specifying the quantity in this way enables you to use the path analysis functionality provided by UIM to locate facility pipes for service trails. See "[Enabling Pipes Automatically with Path Analysis](#)" for more information.

For non-TDM technologies, the quantity can be set to 1. Path analysis calculates the total bandwidth required and finds available packet facilities in addition to finding available TDM facilities to support the end-to-end enablement of the pipe.

You associate Capacity Required specifications to specifications of entities that require capacity. For example, you can associate a DS1 Capacity Required specification to a DS1 Pipe specification.

In UIM, when you create an entity based on a specification that is related to a Capacity Required specification, the capacity required is automatically created and related to the entity.

An entity can require multiple types of capacity, so its specification can have relationships to multiple Capacity Required specifications; however, an entity specification can be related to only one Capacity Required specification of a given capacity type. For example, a Pipe specification can be related to only one Capacity Required specification for the Bandwidth capacity type.

Consumption

Entities in your inventory are used by other entities in various ways. For example, a handset can be assigned to a VoIP service or a telephone number can be reserved for use by a customer starting next week.

In UIM, the consumption framework is the mechanism by which you manage how entities use each other. There are several forms of consumption, including assignment, reservation, and conditions. See "[Resource Reservations](#)" and "[Conditions](#)" for more information. Entity

reference is similar to assignment, but does not involve actual consumption. See "[Understanding Entity References](#)" for more information.

Assignment

The most common way the entities consume each other is by assignment. When an one entity is assigned to another, the first entity is consumed by the second. For example, consumption occurs when:

- A physical port is assigned to a pipe termination point
- A device interface is assigned to a logical device
- An equipment entity is assigned to a service

In many cases, assignment, and therefore consumption, takes place in entity configurations. For example, an IP address in the form of a Custom Network Address entity can be assigned as a configuration item in a logical device configuration.

[Table 5-3](#) lists the entities that can consume entities and the entities that can be consumed.

Table 5-3 Consumers and Consumable Entities

Consumer Entity	Consumable Entity
Place Note: Only Site-type Place entities can have configurations.	Custom network address Custom object Device interface Place (address, address range, location, site) Logical device Physical device Service
Logical device	Custom network address Custom object Device interface
Network	Custom network address Custom object Logical device
Pipe	Pipe
Pipe termination point	Custom network address Custom object Device interface Equipment Logical device Network Physical connector or port Physical device

Table 5-3 (Cont.) Consumers and Consumable Entities

Consumer Entity	Consumable Entity
Service	Custom network address Custom object Device interface Equipment Equipment holder Place (location or site) Logical device Logical device account Media stream Network Physical connector or port Physical device Pipe Service Telephone number

About Shared Consumption of Entities

Entities can be consumed by one entity or by more than one entity. For example, in a normal POTS service, the service consumes a single telephone number. The service has only one number and the number can be assigned to only one service. But in a party-line telephone environment, the same number is shared between two or more services. Each service has only one number, but the same number is shared among several services.

You configure consumption rules in Design Studio when you define specifications. You can designate that a consumable entity can be consumed by one or more consuming entities. You can also designate that a consuming entity can consume one or more consuming entities.

[Figure 5-12](#) shows an example based on POTS service. A POTS service can consume a telephone number and the telephone number can be consumed by only one POTS service. In this case, the Telephone Number specification is configured so that it cannot be assigned to multiple entities. The Service specification is configured so that it cannot assign entities that allow multiple assignments. This ensures that the telephone number cannot be assigned to multiple services and that the service cannot consume a telephone number that can be assigned to multiple services.

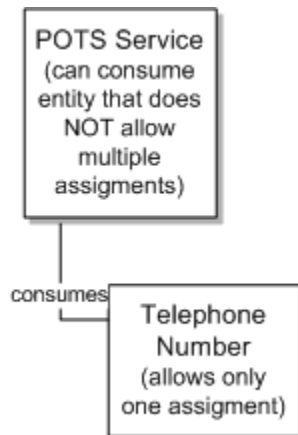
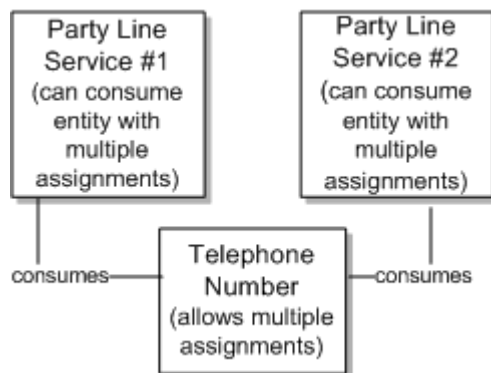
Figure 5-12 POTS Example

Figure 5-13 shows a party line service. A party line service allows customers to share one telephone number, preventing them from making calls at the same time. In this case, the Telephone Number specification is configured to allow assignment to multiple entities. The party line service is configured so that it can consume entities that allow multiple assignments.

Figure 5-13 Party Line Service Example

About Assigning Pending Resources

Resources can be in pending lifecycle statuses that affect the way you consume them. Pending statuses include both Inventory statuses, such as Pending Install and Assignment statuses, such as Pending Unassign. For definitions of life cycle statuses and information about when they occur, see "[Life Cycles and Statuses](#)".

Pending statuses occur in two situations:

- When the resource is created, assigned, or unassigned in a business interaction context. Resources in these scenarios remain in a pending status until you complete the business interaction.
- When the resource is assigned or unassigned as part of a configuration version or connectivity design version. Resources that you assign in a configuration version

or connectivity design version remain in a pending status until you complete the version.

For example, when you create a resource in the context of a business interaction, the resource is in Pending Install status until you complete the business interaction. Similarly, when you assign a resource in the context of a business interaction or in a configuration version that has not been completed, the resource's assignment status is Pending Assign.

UIM enables you to consume resources in pending statuses under certain conditions. You can assign a resource in a pending status as long as its effective date (the date on which the pending status will be resolved) is *before* the effective date of the configuration or other entity to which it is assigned.

You can consume resources in the following statuses:

Table 5-4 Consumable Pending Statuses

Status	Status Type
Pending Install	Inventory
Pending Available	Inventory
Pending Unassign	Assignment

Consumption of pending resources creates dependencies based on effective dates. UIM manages these dependencies by preventing consumption when it is not allowed. If you create a resource in the context of a business interaction, UIM prevents you from assigning that resource to a consumer in another context or in current inventory until the business interaction is complete.

UIM also manages dependencies within business interactions. A business interaction can include both the creation of a resource and its assignment to a consumer. For example, suppose you use an engineering work order to create a logical device that represents a provider-edge router. You want to assign the logical device to a connectivity design version that you are completing in the same engineering work order. The effective dates of the logical device and connectivity design version are the same, but UIM allows the assignment. When completing the engineering work order, UIM ensures that the logical device status changes to Installed before the assignment occurs.

The same dependency management occurs for other statuses. For example, if a resource is unassigned from one consumer and assigned to another in the same business interaction, UIM ensures that the status changes occur in the proper order to allow the assignment.

Consumption of pending resources means that they can have two separate pending statuses. For example, a device interface could be in Pending Unassign status for one business interaction and in Pending Assign status for another business interaction. To avoid circular dependencies, UIM prevents any resource from having more than two pending statuses at the same time.

You search for and assign pending resources the same way you do other resources. Search results for pending resources include information about their statuses and effective dates so you can determine whether you can assign them. See "[Searching for Pending Resources](#)" for more information.

Example of Assigning Pending Install Resources

This example illustrates the assignment of pending resources to a service configuration.

It is November 20th and you are working on setting up a customer access service configuration with a start date of December 15th. The service configuration requires the reference a AAA server logical device and a video server logical device. The configuration also requires the assignment of an Optical Network Terminal (ONT) physical device.

None of these resources are currently available, but a AAA server and video server are being installed as part of an engineering work order with a effective date of December 1st and the ONT is being installed as part of an engineering work order with a effective date of December 4th.

Because the effective date of the service configuration (December 15th) is after those of the resources (December 1st and December 4th), you can assign the resources to the configuration.

Figure 5-14 illustrates this scenario. Note that the Assignment status of the resources is either Pending Assign or Pending Reference. The Resource column shows the Inventory status (Pending Install) of each resource. It also shows the due dates of the resources and information about engineering work orders to which they belong. (Two columns are hidden so the information is visible in the figure.)

Figure 5-14 Consumption of Pending Resource in Service Configuration

Configuration Items			
View ▾	Format ▾	Detach	
Configuration	Assignment/Reference Status	Resource	Actions
Service:Customer Access 3435 - 1 - 1			
ConsumableItems			
PhysicalDevice	Pending Assign	2 - ONT 3036 (Pending Install) (Due On: 12/04/2016 14 - OTN Install)	Unassign
Equipment			Assign
TelephoneNumber			Assign
PhysicalPort			Assign
PhysicalConnector			Assign
DeviceIP			Assign
LogicalDevice	Pending Reference	12 - AAA Server 3036 (Pending Install) (Due On: 12/01/2016 13 - Network Upgrade)	De-Reference
LogicalDeviceServer	Pending Reference	13 - Video Server 3036 (Pending Install) (Due On: 12/01/2016 13 - Network Upgrade)	De-Reference
ConsumerItems			

Columns Hidden 2

The Inventory statuses will change of the resources will changed to Installed on December 1st and December 4th, when you complete the engineering work orders. The Assignment statuses will change to Assigned and Referenced on December 15th, when you complete the service configuration.

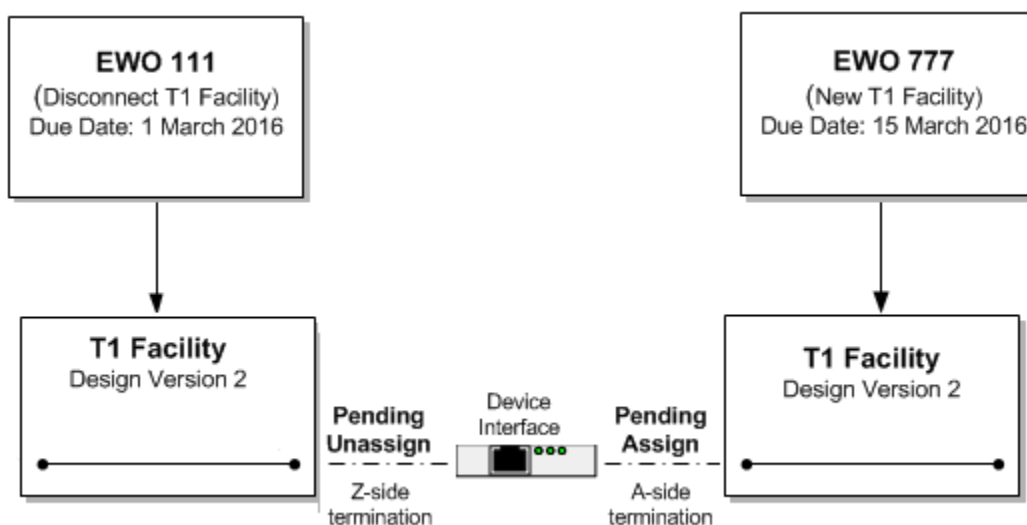
Example of Assigning Pending Unassign Resources

You can search for, assign, and reference Pending Unassign resources in the same way as Pending Install resources. For example, you may need to terminate a connectivity on a device interface on which there are no currently unassigned device interfaces. You can search for and assign a device interface that is in Pending Unassign status, as long as the effective date of the connectivity version is later than the date on which the device interface will transition to Unassigned status.

Figure 5-15 illustrates such a scenario. In this case, you require a device interface to terminate the A side of a new T1 facility that you are creating as part of EWO 777. No currently unassigned device interfaces exist, but your search finds a suitable device interface that is in Pending Unassign status as part of EWO 111. That EWO has a effective date of 1 March 2016, which is before the 15 March 2016 effective date of EWO 777. You can therefore terminate the new T1 connectivity with this device interface.

On 1 March 2016 the device interface will transition automatically from Pending Unassign to Pending Assign status. On 15 March, when you complete EWO 777, the device interface will transition to Assigned status.

Figure 5-15 Assignment of Pending Unassign Resources



Understanding Entity References

You use entity references to represent an interest or dependency between a configuration and an entity. An entity reference is similar to an assignment, except that the referenced entity is not consumed by the configuration.

For example, a mobile GSM service is provisioned on a Home Location Register (HLR) device. The relationship between the GSM service and the HLR device provides important information about how the service is realized on the network, but the device is not consumed by the service. Similarly, a cable TV subscription service requires a cable controller (modeled as a logical device in UIM), but the service does not consume the device.

Because referenced entities are not actually consumed, they are not affected by the Blocked condition. A resource that has a Blocked condition cannot be consumed (assigned), but it can be referenced.

You define an entity reference in Design Studio when you define a configuration item. Just as with defining a configuration item for assigning resources, you can limit the valid options to particular specification types or to entities based particular specifications. See the Design Studio Help and the UIM Help for more information.

Table 5-5 lists the configurations that can include entity references and the types of entities that can be referenced. Pipe configurations are not included in the table because they cannot include entity references.

Table 5-5 Configurations and Referenceable Entities

Configuration	Referenceable Entity
Logical Device	Business Interaction
Network	Custom Network Address
Place (site only)	Custom Object
Service	Device Interface
	Equipment
	Inventory Group
	Logical Device
	Logical Device Account
	Network
	Party
	Physical Connector
	Physical Device
	Place
	Pipe
	Physical Port
	Product
	Service
	Telephone Number

Resource Reservations

In UIM, you can reserve resources to prevent them from being used by other entities or processes. You can reserve resources if they are unassigned, not already reserved, and do not have a condition code that prevents assignments.

You can reserve resources for a particular project, user, or service specification. Reservations can be designated as long-term (30 days by default) or short-term (10 minutes by default). If the reservation is not redeemed by the expiry date, the resource is released back into inventory. See *UIM Developer's Guide* for more information about defining reservation periods.

In UIM, you redeem a reserved resource when you assign the resource to a configuration item using a service, logical device, network, or site configuration. By default, UIM does not validate the redemption to ensure that it matches the reservation. You can optionally associate a ruleset to the reservation to ensure that reservation validation occurs. See *UIM Developer's Guide* for information about the RESERVATION_CHECK_REDEEMER ruleset.

You can reserve resources from an entity's Summary page, or you can use the **Reservation** link in the UIM navigation section to reserve multiple resource items on one reservation.

The following resources can be reserved:

- Custom network addresses

- Custom objects
- Device interfaces
- Equipment
- Equipment holders
- Flow identifiers
- Logical devices
- Logical device accounts
- Media streams
- Networks
- Physical connectors
- Physical devices
- Physical ports
- Services
- Telephone numbers

See the UIM Help for more information about reserving and redeeming resources.

Conditions

Conditions are a way to limit the availability of an entity for a period. A condition therefore behaves as a consumer of the entity, similar to an assignment. [Table 5-6](#) lists the types of conditions.

Table 5-6 Condition Types

Condition Type	Definition
Blocked	This condition is used for resources that cannot be consumed because of some administrative reason. This condition prevents users from making assignments to this resource. Blocked resources cannot be consumed, but they can be referenced. See " Understanding Entity References " for more information about references.
Informational	This condition does not affect the availability of a resource, but it provides additional information about the resource.
Warning	This condition supplies additional information about a resource. A warning condition does not affect the availability of a resource but warns the user that there may be reasons not to use it.

See the UIM Help for more information about applying conditions.

Involvements

Many entities in UIM are involved with each other because of the way the inventory is modeled. For example, a service configuration can include configuration items for one or more places or resources, and a logical device can provide one or more device interfaces. These kinds of relationships are explicitly defined in the UIM model and the application provides tools to manage them.

UIM also enables you to define custom involvements between entities that are not otherwise associated. You can define Custom Involvement specifications in Design Studio to define various kinds of associations in your inventory. For example, you could define Custom Involvement specifications that define involvements between physical connectors and the ports they support.

UIM provides a default specification for a special kind of custom involvement called a preconfiguration. A preconfiguration enables you to set up an association among entities that makes later operations more efficient by linking their consumption. Preconfigured resources share the same life cycle: when one of the resources is reserved or assigned, the other is automatically reserved or assigned with it.

For example, in a DSL scenario with telephone service, you can use an involvement to preconfigure a telephone number, switch port, and cable pair. (In the telecommunications industry, this preconfiguration is sometimes called a *left-in*.) The preconfigured resources are not yet a service, but they facilitate the rapid creation of the service.

The following types of entities can have custom and preconfigured involvements:

- Custom object
- Custom network address
- Device interface
- Equipment
- Equipment holder
- Logical device
- Logical device account
- Physical connector
- Physical device
- Physical port
- Pipe
- Telephone number

Creating Involvements in UIM

In UIM, you can create custom involvements or preconfiguration involvements from an entity's Summary page. See the UIM Help for the instructions to create involvements.

[Figure 5-16](#) shows the **Create Custom Involvement** dialog that you see when you create an Involvement for an entity. In this example, the user has selected to associate a Logical Device to a Place entity and create an involvement. The list displays any Custom Involvement specifications defined in Design Studio and deployed into UIM, along with the **PreconfigureSpec** that is provided as base data with UIM.

Figure 5-16 Adding Involvements in UIM

The screenshot shows a dialog box titled "Create Custom Involvement (1 of 1)". It contains a section for "Custom Involvement Information" with a dropdown menu for "Involvement Specification" currently set to "PreconfigureSpec". Below this are three fields: "From Entity Id", "From Entity Name", and "From Entity Role". To the right of these are three more fields: "To Entity Id" (75001), "To Entity Name" (Frisco Campus), and "To Entity Role". At the top right, there are three buttons: "Save And Close", "Skip", and "Cancel".

Topology

The spatial relationships and connectivity among your inventory entities form the inventory topology. Topology and the features based on it enable you to answer questions such as:

- Is there connectivity between Texas and Germany?
- Is there a DS3 path from Dallas to San Francisco?
- Is there an OC3 path from Chicago to the United Kingdom?

The UIM topology represents the connectivity entities in your inventory as topology nodes and topology edges. Topology nodes represent locations, network nodes, or devices while edges represent pipes or network edges.

UIM provides a graphical representation of topology where you can see your inventory and its relationships at the level of detail that meets your needs. See UIM Help for more information about the topology visualization. UIM also uses topology during automated pipe enablement (path analysis). See "[Enabling Pipes Automatically with Path Analysis](#)" for topology more information.

About Topology Nodes

A topology node represents an entity into which information can be transported or from which information can be transported. A topology node can represent a specific resource, such as a router, or it can represent something more general or geographic, such as a VPN site or a city.

The following UIM entities are included in the topology as nodes:

- Place (location, site, or address)
- Equipment
- Physical device
- Logical device
- Network
- Network node

Because they cannot exist independently in the inventory, the following entity types are not included in topology:

- Equipment holder (slot)
- Physical port
- Device interface

The topology includes the parents of these entities. For example, a device interface is not included in the topology, but the logical device that hosts it is included.

You can customize other entities so that they are included in topology. See *UIM Developer's Guide* for more information.

About Topology Edges

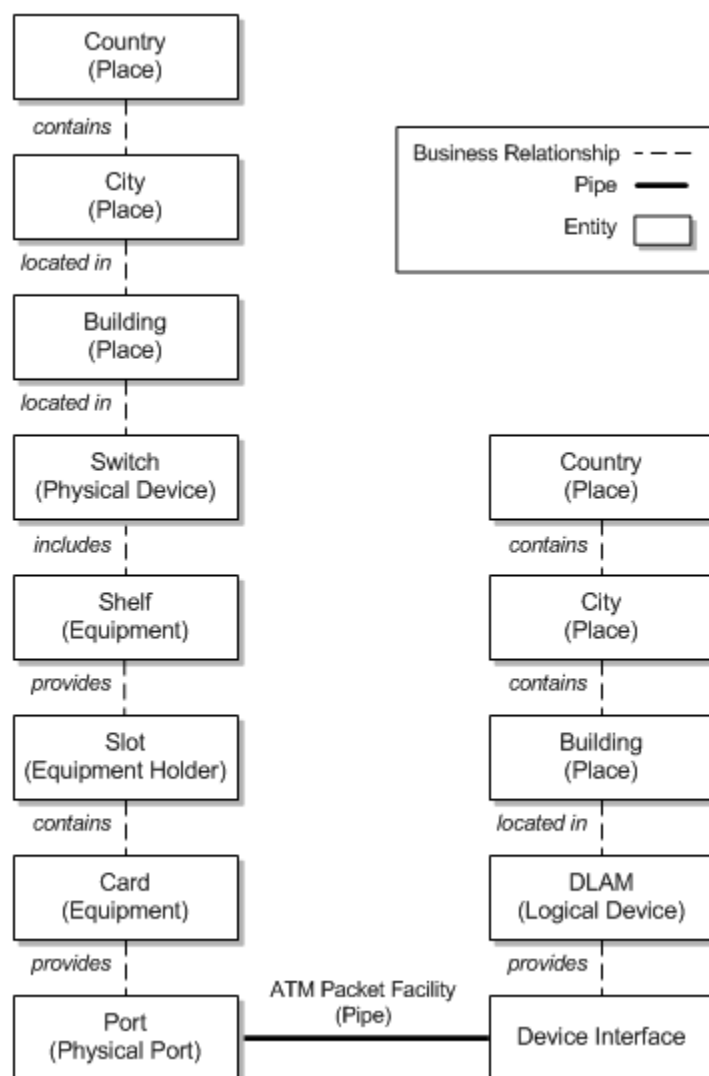
A topology edge represents a relationship between topology nodes. Two types of relationships are represented as edges in the topology:

- **Connectivity.** Two types of connectivity are represented as topology edges.
 - Pipes. For example, a T1 facility pipe that transports information between two devices or locations is represented as an edge in the topology.
 - Connectivity entities, including channelized, packet, and service connectivities, are represented in the topology as edges.
- **Containment.** Topology edges represent two types of containment:
 - Provides relationships between entities. See "[Provides Relationships](#)" for more information.
 - Containment among entities in a hierarchy. The hierarchy can represent:
 - * Physical containment, such as a card contained in a shelf.
 - * Logical containment, such as a virtual router contained in a PE (provider edge) router.
 - * Geographic containment, such as a city contained within a state contained within a country.

Topology Example

[Figure 5-17](#) shows an example of business relationships and connectivity among entities. A Physical Port entity and a Device Interface entity are linked by a pipe. Each of the two entities is part of a hierarchy and has associations with other entities.

Figure 5-17 Business Relationships Example



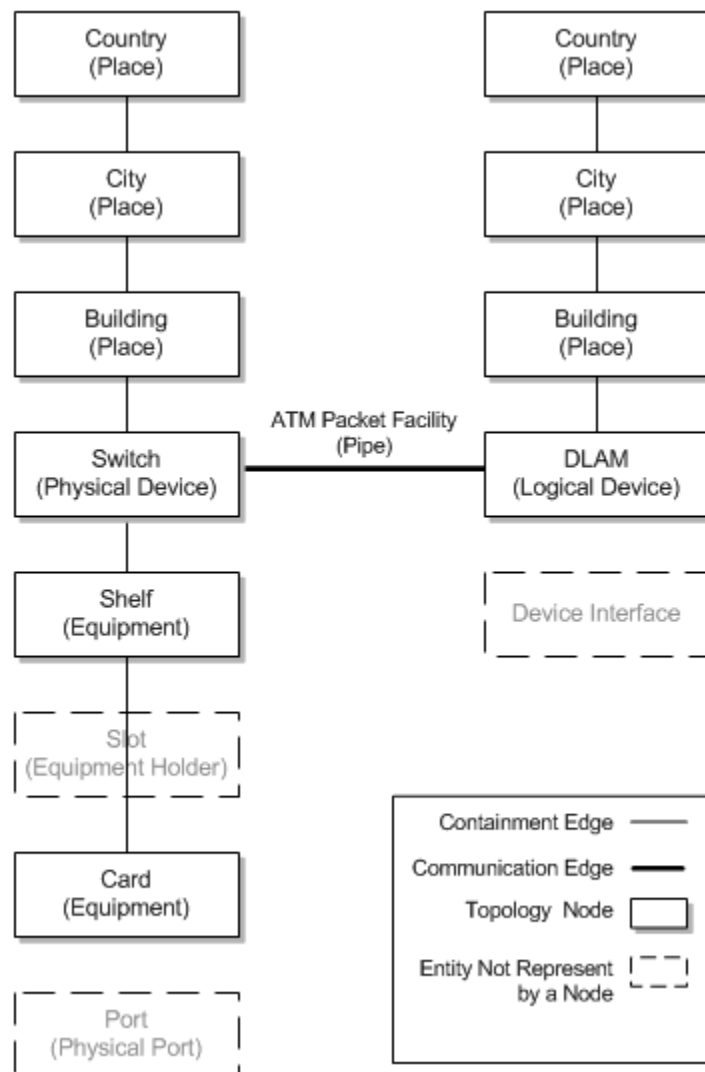
In the UIM topology, pipes are translated into communication topology edges. The topology nodes on which a communication topology edge terminates are determined for each end by going up the hierarchy in the business model starting from the resource the pipe terminates on and proceeding to the highest level physical device or logical device. If the highest level physical device maps to a logical device, the topology edge is terminated on the topology node that represents the logical device. If no physical or logical device exists in the hierarchy, the topology edge terminates on the topology node that represents the highest level equipment entity in the equipment hierarchy.

Containment edges represent the hierarchies. Not all entity types are represented as topology nodes, however. For example, slots (Equipment Holder entities) are not represented as topology nodes. As a result, containment topology edges ignore these entities and they do not appear in the topology. For example, in Figure 5-17, the pipe terminates on a physical port on one end and on a device interface on the other end. Neither of these entities is represented by a topology node, so they will not appear in the topology model.

Figure 5-18 shows the topology model that is generated from the business model in Figure 5-17. A containment edge connects a card and a shelf, ignoring the slot. A

connectivity topology edge representing the pipe runs between topology nodes representing the physical device (switch) on one end and the logical device (DSLAM) on the opposite end. These are the highest level physical device and logical device in the hierarchy from each end of the pipe.

Figure 5-18 Topology of Business Relationships



Connectivity is shown first at the level of the places to which connected entities are associated. In this case, that is at the level of the Place entities that represent the buildings in which the switch and DSLAM are housed. If the switch and DSLAM had been associated with the City locations, connectivity would be shown at that level.

In the first view, a black line between Place entities for buildings represents general connectivity without identifying it specifically. In the second view, the Place nodes are expanded to show the switch and the DSLAM. A green double-line represents the pipe that connects them.

Entity Identification

Most product, service, resource, and common business entities are identified in UIM with IDs that are unique by entity type. For example, you can have an Equipment entity and a Logical Device entity with the same ID, but you cannot have two Equipment entities with the same ID.

Entity IDs are a useful way to distinguish between entities of the same type that are not uniquely named. For example, you could have many different Equipment entities for interface cards with similar or identical names, but their IDs make it possible to identify them uniquely.

By default, entities that require a unique ID are set up to automatically generate IDs as they are created in UIM. The following entity types are configured for automatic ID generation by default.

- Business interaction
- Custom network address
- Custom object
- Device interface
- Equipment holder
- Equipment
- Logical device
- Logical device account
- Media stream
- Network
- Party
- Physical connector
- Physical device
- Physical port
- Pipe
- Place
- Product
- Service

In Design Studio, you can configure entity specifications with custom automatic ID generation that specifies exactly what numbering scheme to use. For example, you could define prefixes to designate various kinds of logical devices. You can also disable automatic ID generation so that IDs must be entered manually when entities are created in UIM. See the Design Studio Help for more information.

In addition, you can use extension points, rulesets, and Sequence specifications to further customize entity IDs. See *UIM Developer's Guide* for more information.

6

Planning

This chapter describes the planning and workflow management features included in Oracle Communications Unified Inventory Management (UIM). You can use any combination of the following features:

- [Business Interactions](#)
- [Engineering Work Orders](#)
- [Projects](#)

Business Interactions

Business interactions make it possible for you to plan UIM actions and then execute those actions at a time of your choosing. Each business interaction can include a variety of actions such as fulfilling services, adding entities, changing entity hierarchies, and so on. The changes resulting from these actions are called business interaction items.

A business interaction can represent an arrangement such as service fulfillment, a capital project, a maintenance request, or any other activity that you want to plan in advance. When you complete a business interaction, all of its items are executed and the results become effective throughout UIM.

You can optionally associate a workflow template with a business interaction. A workflow template defines an ordered, managed set of activities. The workflow must be completed before you can complete the business interaction. See "[Managing Workflow](#)" for more information.

When you make changes to your inventory while using a business interaction, you are working in a *business interaction context*. (Working outside of a business interaction context is called working in *current inventory*.)

After you enter a business interaction context, all additions, changes, or deletions you make become final only when you complete the business interaction. These changes are visible outside the business interaction context, but the statuses of the affected entities are marked as pending. For example, if you add a new logical device in a business interaction, the status of that logical device is shown as Pending Install until you complete the business interaction.

See "[Understanding Business Interaction Contexts](#)", "[Understanding the Business Interaction Life Cycle](#)", and UIM Help for more information.

Under certain circumstances, entities in pending statuses can be assigned in configuration versions and design versions. See "[About Assigning Pending Resources](#)" for more information.

 **Note:**

You do not have to use business interactions to make changes to the inventory. You can also make changes in current inventory. Such changes are immediately effective and visible.

Business interactions can include child business interactions. For example, a service fulfillment business interaction could be organized into multiple separate child interactions so that changes can be implemented in the right order and at the right times. You define child business interactions in the hierarchy of the parent business interaction.

Child business interactions must be complete before parent interactions can be completed. You can choose to complete business interactions individually or to complete an entire business interaction hierarchy, starting from the lowest level.

Business interactions are UIM entities and you work with them in much the same way as you work with other entity types. You define specifications for them in Design Studio and create entities based on those specifications in UIM. See "[Configuring Business Interaction Specifications](#)", "[Working with Business Interactions in UIM](#)", and the UIM Help for more information.

Business interactions can be created and managed by using web services. See "[Understanding Business Interactions with External Systems](#)" for more information.

Business Interaction-Enabled Entities

The following entity types are business-interaction enabled, meaning that actions taken on them can be included as items in business interactions:

- Connectivity (including design versions)
- Custom network address
- Custom object
- Device interface*
- Equipment
- Equipment holder*
- Logical device (including logical device configurations)
- Logical device account (including logical device account configurations)
- Media stream
- Network (including network configurations)
- Network node*
- Network edge*
- Physical connector*
- Physical device
- Physical port*
- Pipe (including pipe configurations)

- Pipe termination point*
- Telephone number

The entities marked with asterisks in the preceding list are not displayed as items in the Business Interaction Summary page in the UIM user interface. These entities cannot stand alone; they are always part of another entity. As a result, the Business Interaction Summary page displays their parent entities.

Entity configurations (and design versions in the case of Connectivity entities) can be included in business interactions. If you set the business interaction context while working in the parent entity, any new configurations you create and any changes you make to existing configurations, are included in the business interaction. You can also set the business interaction context individually from a configuration page (or Design Version tab for channelized connectivity.)

Service configurations can also be included in business interactions, but only when the Service Fulfillment Web Services create the business interactions. See "[Understanding Business Interactions with External Systems](#)" for more information.

Understanding the Business Interaction Life Cycle

Business interactions have a life cycle that begins with their creation and ends with their cancellation or completion. Changing the life cycle status of a business interaction can affect the inventory status of an entity contained in a business interaction item. For example, the status of a logical device added through a business interaction changes from Pending Install to Installed when the business interaction is completed.

The life cycles of resources included in business interactions are different from those of resources outside a business interaction context. See "[Inventory Statuses for Resources in Business Interactions and Work Orders](#)" and "[Inventory Statuses for Pipes and Connectivities in Business Interactions and Work Orders](#)" for more information.

The business interaction statuses are:

- Created
- In Progress
- Canceled
- Completed

See "[Business Interaction and Engineering Work Order Life Cycles and Statuses](#)" for definitions of these status.

You change business interaction statuses with menu commands in the Business Interaction Summary page or with web service operations. See "[Understanding Business Interactions with External Systems](#)" for more information. The one exception is the transition from Created to In Progress status, which occurs automatically when you add, change, or delete items in the context of a newly created business interaction.

[Table 6-1](#) lists the business interaction status transition changes you can make:

Table 6-1 Business Interaction Life Cycle Transitions

Transition	Affect on Business Interaction Status	Affect on Status of Entities Business Interaction Items
Approve Configurations	No change.	<p>This action changes service configurations from In Progress to Designed. Service configurations already in Designed status are not affected.</p> <p>The operation fails if any service configuration in the business interaction is in Issued, Complete, Pending Cancel, or Canceled status.</p>
Cancel	<p>Changes the status from Created or In Progress to Canceled.</p> <p>The transition fails if any child business interactions are in Created or In Progress status or if the business interaction has any completed children.</p>	<p>This action affects service configurations and their parent services, but the exact result depends on the combination of statuses of the services and service configurations. The effect of a business interaction cancellation is the same as the direct cancellation of the service configuration. See "Service Life Cycles and Statuses" for more information.</p> <p>By default, the operation fails if any service configuration in the business interaction is in Completed status. You can configure UIM to allow cancellation in this situation. See <i>UIM System Administrator's Guide</i> for more information.</p>
Cancel Hierarchy	Changes the status of the parent business interaction and all of its children from Created or In Progress to Canceled. Children in Completed or Canceled status are unaffected.	<p>This action affects service configurations and their parent services, but the exact result depends on the combination of statuses of the services and service configurations. The effect of a business interaction cancellation is the same as the direct cancellation of the service configuration. See "Service Life Cycles and Statuses" for more information.</p> <p>By default, the operation fails if any service configuration in the business interaction is in Completed status. You can configure UIM to allow cancellation in this situation. See <i>UIM System Administrator's Guide</i> for more information.</p>
Complete	<p>Changes the status from In Progress to Completed.</p> <p>The transition fails if any child business interaction is in Created or In Progress status.</p>	<p>This action changes the statuses of entities to reflect the actions defined in the business interaction items.</p> <p>This action changes the status of service configurations and their parent services. The general result is to change service configurations from Issued to Completed status, which causes the parent services to change to In Service status.</p> <p>The exact result depends on the combination of statuses of the services and service configurations. The effect of a business interaction completion is the same as the direct completion of the service configuration. See "Service Life Cycles and Statuses" for more information.</p> <p>The transition fails if any service configuration in the business interaction is in In Progress or Designed status.</p>

Table 6-1 (Cont.) Business Interaction Life Cycle Transitions

Transition	Affect on Business Interaction Status	Affect on Status of Entities Business Interaction Items
Complete Hierarchy	Changes the status of the parent business interaction and all of its children from In Progress to Completed.	<p>This action changes the statuses of entities to reflect the actions defined in the items in all business interactions in the hierarchy.</p> <p>This action changes the status of service configurations and their parent services. The general result is to change service configurations from Issued to Completed status, which causes the parent services to change to In Service status.</p> <p>The exact result depends on the combination of statuses of the services and service configurations. The effect of a business interaction completion is the same as the direct completion of the service configuration. See "Service Life Cycles and Statuses" for more information.</p> <p>The transition fails if any service configuration in the business interaction hierarchy is in In Progress or Designed status.</p>
Issue Configurations	No change.	<p>This action changes the status of service configurations from Designed to Issued. Service configurations already in Issued status are not affected.</p> <p>The operation fails if any service configuration in the business interaction is in In Progress status. Service configurations in Completed, Pending Cancel, or Canceled status are skipped.</p>

Understanding Business Interaction Contexts

The content of a business interaction is the set of items that represent actions, such as creating or deleting an entity, that you take while you are in the context of that business interaction. You can work in only one context at a time.

Changes you make while in a business interaction context do not become effective in current inventory until the business interaction is completed. Similarly, changes you make in one business interaction are effective in another business interaction context, even if the other business interaction is a child of the first.

Changes you make in a business interaction context are *visible* in current inventory and other business interactions, however. For example, if you add a logical device in a Business Interaction 111, that logical device is included in search results in current inventory and other business interactions. Search results include its Inventory status (Pending Install) the date by which the device will be installed. You can make pending assignments and references that involve resources in pending statuses. See "[About Assigning Pending Resources](#)" for more information.

It is important to be aware of whether you are working in current inventory or in a business interaction context. In the UIM user interface, the context is displayed in the entity type label in entity pages. If you are working outside of a business interaction context, the context is shown as **Current**. If you are working in a business interaction context, the context indicator

displays the name and ID of the current business interaction. You can switch contexts by selecting from the context indicator.

If you navigate to a Business Interaction Summary page, you are automatically switched to the context of that business interaction. When you navigate to a Summary page for an entity that is not business interaction enabled, you automatically exit your business interaction context and work in current inventory. You switch back to your previous context when you navigate to a business-interaction-enabled entity.

You cannot create entity configurations while working in a business interaction context. This restriction applies to the three business-interaction-enabled entity types that can have configurations: logical device, pipe, and network.

Figure 6-1 shows a Logical Device Account Search page. The context indicator displays the ID and name of the current business interaction, 2-Disconnect Mobile Service. See the UIM Help for more information about how to set and change the business interaction context.

Figure 6-1 Business Interaction Context Indicator

The screenshot shows a web interface for searching Logical Device Accounts. At the top left, a context indicator displays "Business Interaction - 2 - Disconnect Mobile Service". Below this, the page title is "Logical Device Account". The search section includes filters for ID (Starts With), Specification, Assignment Status, Name (Starts With), Inventory Status, and Associated To Logical Device. There are buttons for Search, Reset, Save..., and Add Fields... Below the search filters is a "Search Results" section with a toolbar containing Create, Create Range, Edit, Delete, Export, and Detach. A table with columns ID, Name, Description, Specification, Inventory Status, Assignment Status, and Logical Device is shown, but it contains the message "No data to display."

Understanding Activity Contexts

If you associate a workflow template with a business interaction, the context indicator displays additional information when you are working on a workflow activity. In addition to the business interaction ID and name, the indicator includes the name of the activity you are working on.

For example, if you are working on a business interaction called ChicagoRollout that includes a workflow activity called AcquirePropertyLocation, the context indicator might read 767 - ChicagoRollout - AcquirePropertyLocation.

When a business interaction includes a workflow, you can use the context indicator to switch to any in-progress activity in the workflow. You can also choose to work in the business interaction context but outside an activity context.

See UIM Help for more information about using the context indicator with activities.

Understanding Business Interactions with External Systems

External systems can interface with UIM to complete tasks such as engineering work orders or service orders. These external systems use web services to communicate with UIM. For example, Oracle Communication Order and Service Management (OSM) can use the Service Fulfillment Web Services to send service orders to UIM for fulfillment. See *UIM Web Services Developer's Guide* for more information about web services in general and the Service Fulfillment Web Services in particular.

In UIM, requests from external systems are modeled as business interactions. Depending on the nature of a request, it could result in the creation of parent and child business interactions that represent various aspects of the request. Subsequent requests can modify the original business interaction.

For example, a service order from OSM requires the creation of one or more service entities in UIM. UIM responds to the service order request by creating a business interaction that includes items for the initial service configuration or configurations. (The service configuration versions are included as items in the business interaction, but the parent services are not.) Depending on the structure of the service order, additional child business interactions may be required for additional services involved in the order.

When all the tasks required for service fulfillment in UIM are complete and approved, the service order business interaction is completed, which results in the status of the related service entities being set to In Service.

A subsequent service order could be received from OSM to change or disconnect the service. This request results in a new service order business interaction that includes the service configuration version that includes the work required to change or disconnect the service. This business interaction is separate from the original business interaction under which the service was created.

Business interactions that are created as the result of requests by web services are somewhat different from business interactions created in the UIM user interface:

- Requests from external systems are sent in the form of XML documents. UIM uses the content of the XML documents to create or update business interactions. The documents are stored as attachments to the relevant business interactions for future reference. You can view the XML documents associated with a business interaction in the **Transactions Log** area of the Business Interaction Summary page. See the UIM Help for more information.
- Business interactions managed by web services can include service configurations as items. This capability is not available in business interactions created in the user interface. After a business interaction has been created by a web service operation, however, you can use the user interface to work with the service configurations it includes.
- The parent service of a service configuration in a business interaction does not appear as a business interaction item. The parent service is visible in current inventory. Business interaction status transitions do cause status transitions in parent services, however. See [Table 6-1](#) for more information about these transitions.

Configuring Business Interaction Specifications

Every business interaction entity in UIM must be based on a Business Interaction specification, including those created by web services. In Design Studio, you can define

separate specifications for business interactions that represent different types of activities, such as service orders, infrastructure projects, and so on.

As with other entity specifications, you can add characteristics to describe the business interaction or provide additional details. For example, you could add an Order Type characteristic as a list with appropriate values. See the Design Studio Help and the UIM Help for more information about defining Business Interaction specifications.

A Service Order specification is included in the base cartridges for use as the basis for service fulfillment activities managed by web services. The specification includes an extension point so that you can write a ruleset to automate the actions that are required to create a service order in UIM. See *UIM Cartridge Guide* for more information about this specification.

Working with Business Interactions in UIM

You can create business interactions in the UIM user interface or by using web services. Whether they are created in the user interface or by using web services, you work with business interactions in Business Interaction Summary pages.

There are three major tasks that you perform in Business Interaction Summary pages:

- You define the contents of the business interaction by creating or modifying entities in a Business Interaction Summary page. These changes are included in the business interaction without your having to set the context explicitly.

You can also define the contents of a business interaction by setting the business interaction context while working elsewhere in UIM. The changes you make while in a business interaction context are included in the corresponding business interaction.

- You create child business interactions in the Business Interaction Hierarchy area.
- You change the life cycle status of the business interaction and its items.

If you associate the business interaction with a workflow template, there are additional tasks that you can perform. Business interactions with workflow templates include two additional tabs in their Summary pages, the **Activity Details** tab and the **Gantt Chart** tab. See [Managing Workflow](#) for information about how you use these tabs. You can associate a workflow template with a business interaction when you create it or by editing it after creations. See UIM Help for information about associating workflow templates with business interactions.

[Figure 6-2](#) shows a Business Interaction Summary page for a service fulfillment order that does not include a workflow template. The business interaction contains items for adding two new telephone numbers.

Figure 6-2 Business Interaction with New Items

The screenshot displays the 'Business Interaction Summary - 3 - Service 2144239' page. It features a 'General Information' tab and an 'Edit' button. The 'Business Interaction Information' section includes fields for ID (3), Name (Service 2144239), Specification (Service Order), Effective Date (2/1/2017), Workflow Template, Status (In Progress), and Description. Below this is the 'Business Interaction Items' section, which contains a table of items and an 'Edit' button. The table has columns for Item Type, Specification, ID, Name, and Action. Two items are listed: Telephone Number (usTelephoneNumber) with IDs 9725551212 and 9725551213, both with an 'Add' action. The page also shows 'Business Interaction Hierarchy' and 'Parent Business Interaction' sections.

Item Type	Specification	ID	Name	Action
Telephone Number	usTelephoneNumber	9725551212	972-555-1212	Add
Telephone Number	usTelephoneNumber	9725551213	972-555-1213	Add

Total Results: 2

See the UIM Help for detailed information about working with business interactions in the UIM user interface.

Deleting Entities in Business Interactions

Some special rules apply to entities that you delete from business interactions:

- If the entity was created in the context of that business interaction, the entity is deleted entirely when you delete it from the Business Interaction Items section.
- If an entity was created in current inventory updated in a business interaction, it is listed as Updated in the Business Interact Items section. Deleting it will remove it from the business interaction, but not from inventory.

If you delete an entity from the Items section in a Business Interaction Summary page, entities associated with the deleted entity may also be deleted in. To avoid deleting associated entities, you can:

- Search for the entity while in the business interaction context and delete it from the Search Results section.
- Manually remove the associations before deleting the entity from the Business Interaction Summary page.

About Canvas Diagram in Business Interaction

You can create new entities in Business Interaction using the Canvas Diagram page. You can create a Canvas Diagram by using **Planning Diagram** specification.

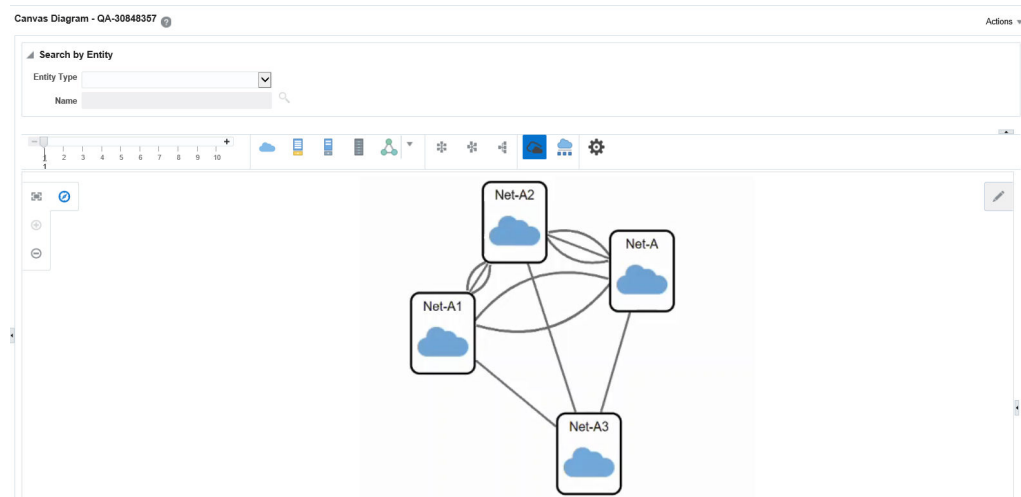
The Canvas Diagram page enables you to perform the following:

- Create a canvas diagram by searching the existing entities or by creating new entities

- Associate entities to the Planning Diagram specification in a business interaction and thus associate them to the business interaction
- Change the layout and view of the canvas diagram
- Add preferences to the canvas diagram

Figure 6-3 shows the Canvas Diagram page of Business Interaction.

Figure 6-3 Canvas Diagram Page of Business Interaction



See UIM Help for more information on Working with Canvas Diagram in Business Interaction.

Engineering Work Orders

Engineering work orders enable you to plan resource infrastructure changes and have all your changes take effect at the same time. For example, you could use an engineering work order to create a GSM Base Station Subsystem (BSS) network. The BSS network could include:

- Network locations to represent Node B cell sites and the RNC (Radio Network Controller).
- Logical devices to represent RNC and Node B hardware.
- Connectivity entities to represent the ABIS connections between the RNC and Node B locations.
- A network entity, network nodes, and network edges that you use to represent the BSS network and its elements.

Engineering work orders are related to and share functionality with business interactions. They are based on a special Business Interaction specification that you must install by deploying the **ora_uim_workorder** base cartridge. See *UIM Installation Guide* for more information about installing base cartridges.

You can optionally associate a workflow template with an engineering work order. A workflow template defines an ordered, managed set of activities. The workflow must

be completed before you can complete the engineering work order. See "[Managing Workflow](#)" for more information.

While only a single Engineering Work Order specification can be used in UIM, you can modify it in Design Studio. See Design Studio Help for more information about extending specifications.

Except as noted in the UIM documentation and Help, you should follow the same procedures when working with engineering work orders that you do when working with business interactions. See "[Business Interactions](#)" and the UIM Help for more information about business interactions.

These are some of the capabilities and features shared by business interactions and engineering work orders:

- Engineering work orders can be included in web services, such as the Service Fulfillment Web Service. See *UIM Web Services Developer's Guide* for information about implementing web services.
- Entities you add or change while working in an engineering work order context remain in Pending Install status until you complete the engineering work order. At that time, the statuses of the entities change to Installed and the entities become available in current inventory. For example, you could create all the BSS network resources in an engineering work order context and make them all available at a prearranged time.
- Engineering work orders can include workflow templates that define the activities that must be completed before you can complete the work order. The workflow template defines the order of the activities, their duration, and dependencies among them. See "[Managing Workflow](#)" for more information.

When an engineering work order includes a workflow template, you can monitor its progress in the **Activity Details** and **Gantt Chart** tabs of the Engineering Work Order Summary page. You can also modify the activities and dependencies in the workflow template.

- Engineering work orders use the same context indicator as business interactions. The context indicator appears at the top of entity Summary and Configuration Summary pages. The phrase "Engineering Work Order" appears in the context indicator to distinguish engineering work orders from business interactions. As with business interactions, the context indicator includes information about any workflow activities in the engineering work order.

Creating Engineering Work Orders

Figure 6-4 Engineering Work Order Summary Page

Engineering Work Order Summary - 75100 - Western Region Buildout

Engineering Work Order Information

ID	75100	Effective Date	10/3/2014
Name	Western Region Buildout	Status	In Progress
Specification	Engineering Work Order	Description	Installation activities related to Western Region buildout.
Type	Installation	Work Order Document	
Standard Operating Procedure		Organization	Field Teams
Desired Due Date	9/17/2014	Assigned To	
Actual Completion Date			
Engineering Drawings			

Engineering Work Order Hierarchy

View ▾ Detach

- Engineering Work Order
 - Engineering Work Order Western Region Buildout
 - Engineering Work Order TNM
 - Engineering Work Order EOW

Parent Engineering Work Order

View ▾ Detach

ID	Name	Specification	Status	Effective Date
No data to display.				

Total Results: 0

Engineering Work Order Items

Items ▾ View ▾ Transfer Items Delete Detach

Item Type	Specification	ID	Name	Action
Logical Device	STM16 ADM	75117	LA889	Add
Logical Device	Cisco3640Router	75116	SJC556	Add
Logical Device	Cisco3640Router	75115	SF119	Add

You use the **Work Order Type** field to categorize engineering work orders. You can search for engineering work orders by type to monitor progress and assess resource needs. By default, the following types are available:

- Commissioning
- Decommissioning
- Field Work
- Network Reconfiguration
- Installation
- Upgrade
- Replacement

You can extend the Engineering Work Order specification in Design Studio to add additional work order types, such as Routine, Preventative, or Emergency. See Design Studio Help for information about extending specifications.

Engineering Work Order Summary pages also include fields where you can enter URLs for related documents, such as drawings, schedules, and procedures. There are three such fields: **Work Order Document**, **Standard Operating Procedure**, and **Engineering Drawing**.

Engineering work orders are assigned to individuals who perform the tasks required to complete them. The assigned person is shown in the **Assigned To** field in an Engineering Work Order Summary page. You can search for engineering work orders based on the **Assigned To** field to produce a simple work list for yourself or another user.

The **Assigned To** field is populated with a list of users who are authorized in WebLogic to access UIM. See *UIM System Administrator's Guide* for more information about WebLogic security.

See UIM Help for more information about the fields in the Engineering Work Order Summary page.

Deleting Engineering Work Orders

You need additional user privileges to delete an Engineering Work Order. You can only request a delete for a cancelled Engineering Work Order. You must also have the user role of **ProjectManager** for the delete to be successful. See *UIM System Administrator's Guide* for information about security and granting this user role.

Projects

In UIM, you use projects for two purposes:

- Planning and organizing network and channelized connectivity maintenance activities, such as grooming and rehomeing. See "[Using Projects for Network Maintenance](#)".
- As a way of grouping related business interactions and engineering work orders so that you can manage them collectively. See "[Using Projects for Managing Business Interactions and Engineering Work Orders](#)".

Unlike most other entities, all Project entities are based on the same specification. You can open the Managed Project specification in Design Studio and modify by adding entity-level characteristics. After you deploy the `ora_uim_basespecifications` base cartridge that contains these changes, all Project entities you create in UIM will include the additional characteristics.



Note:

To avoid confusion, the specification is called Managed Project in Design Studio. Project entities are not the same thing as Design Studio projects.

See the Design Studio Help for information about entity-level characteristics.

Using Projects for Network Maintenance

You use projects to plan and organize network and channelized connectivity maintenance activities, such as grooming and rehomeing. For example, you could create a project that includes all the activities related to a particular network infrastructure change during a specified time period.

Each project can include any number of maintenance activities. A maintenance activity is a group of actions that accomplish a goal of a particular type. For example, an activity might be the deletion of a particular network node. To accomplish this task, the node itself and the logical device it represents must be removed and connectivities must be groomed to reflect the change.

When you create a project, it does not include any maintenance activities. You add them individually on the **Project Activities** tab, specifying one of four types:

- Groom
- Rehome
- Insert Node
- Remove Node

See "[Maintaining Channelized Connectivity and Network Resources](#)" and the UIM Help for information about each activity type.

Using Projects for Managing Business Interactions and Engineering Work Orders

You can include business interactions and engineering work orders in projects so that you can manage them as a group. For example, supporting a new customer could include several engineering work orders related to access sites, equipment installation, and so on. You can include all of these engineering work orders in a project that you manage as a whole.

The Project Details tab includes a Business Interactions section where you add business interactions and engineering work orders. It also includes a Business Interaction Activities section that contains information about all the activities in business interactions and engineering work orders in the project.

See UIM Help for information about adding business interactions and engineering work orders to projects.

7

Managing Workflow

UIM includes features that enable you to manage the work in business interactions and engineering work orders. You can add workflow templates to business interactions and engineering work orders. Workflow templates define an ordered series of activities that must be completed before you can complete the engineering work order or business interaction.

Workflow templates define the order of the activities, the dependencies among them, their duration and their criticality. Activities can include checklists that define steps that must be completed before you can complete the activity.

Two groups of UIM users work with workflows and activities:

- Project managers work with workflows as a whole by monitoring progress, assigning users to activities, tracking the schedule, and so on. Project managers work mainly from the **Activity Details** and **Gantt Chart** tabs of business interactions and engineering work orders that include workflow templates.
- Assigned users work with activities that are assigned to them or to their workgroup from the **My Activities** and **My Group Activities** pages.

Project managers and assigned users can perform some of the same tasks, such as starting, updating, and completing activities. They usually perform these tasks in different pages, however.

Workflow functionality is closely related to business interactions, engineering work orders, and projects. See "[Planning](#)" for information about those entities.

Workflow Overview

UIM capabilities address all phases of workflow management, from design to implementation:

- You design workflows as Process specifications in Design Studio. You use a graphical tool to design workflows that include ordered sets of activities and transitions. The content of activities are determined by Task specifications and Checklist specifications.
- When you deploy Process specifications to UIM, they become available as workflow templates that can be associated with engineering work orders and business interactions.
- In UIM, project managers and others can create business interactions and engineering work orders that include workflow templates. You can optionally group related business interactions and engineering work orders into projects.
- Project managers assign users to workflow activities. They also monitor workflow progress, add activities to workflows, and change activity statuses.
- Users assigned to activities can receive email notifications when their activities are ready to be worked on. Some activities are internal in UIM. For example, a network designer can design resources and create them in UIM. Later, a field engineer can be assigned the activity of physically installing resources or connectivity.
- Assigned users track their work in UIM. The My Activities page in UIM displays a list of assigned activities that are ready to be completed. Assigned users record completed

steps in the checklist. An activity can be completed only when its checklist steps are completed.

- Project managers and network operations personnel use analytical tools in UIM to monitor work, manage issues as they arise, and complete business interactions and engineering work orders when they are finished. When an engineering work order is complete, the resources created are made available to the inventory as a whole.

Workflow-Related Specifications in Design Studio and Entities in UIM

The relationship between workflow-related specifications that you define in Design Studio and entities that you create in UIM is different from that of other specifications and entities.

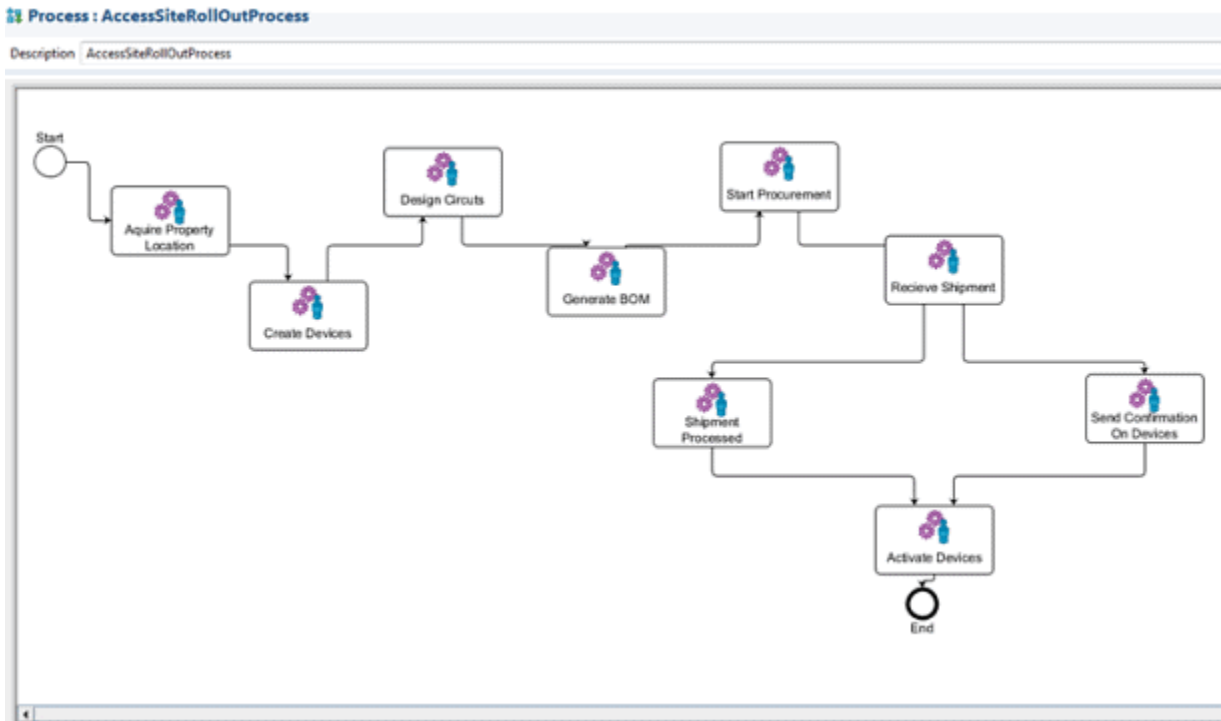
- An Engineering Work Order in Design Studio does not correspond to an Engineering Work Order in UIM. Engineering Work Orders in UIM are all based on the same specification (Engineering Work Order), which is a specially-configured Business Interaction specification.
- In Design Studio, you define Process specifications, which include process flows. When you deploy Process specifications to UIM, they become available as workflow templates to business interactions and engineering work orders.
- In Design Studio, you define Task specifications that you associate with Activities in process flows. In UIM, only activities are visible. Their content is determined by the Task specification with which they are associated in Design Studio.

Designing Workflows

You design workflow templates as Process specifications in Design Studio. Process specifications describe repeatable patterns of work. For example, you could define a Process specification that describes the steps that must be repeated each time you bring a new access site online in your network.

[Figure 7-1](#) illustrates a Process specification for an access site roll out. Note that two activities (Shipment Processed and Send Confirmation On Devices) occur in parallel rather than sequentially. See Design Studio Help for more information about defining Process specifications.

Figure 7-1 Process Flow in Design Studio



When you deploy Process specifications to UIM, they become available as workflow templates to business interactions and engineering work orders. When you associate a workflow template to a business interaction or engineering work order, its activities are listed in the **Activity Details** tab as shown in [Figure 7-2](#).

Figure 7-2 Engineering Work Order Activity Details Tab

Name	Proposed Start Date	Proposed End Date	Actual Start Date	Actual End Date	Status	Duration	Assigned User	Percent Complete
AcquirePropertyLocation	9/25/2015	9/29/2015			Ready	4	inv	0%
Create Devices	9/30/2015	10/3/2015			Pending	3		0%
Design Circuits	10/4/2015	10/11/2015			Pending	7		0%
Generate BOM	10/12/2015	10/13/2015			Pending	1		0%
Start Procurement	10/14/2015	10/19/2015			Pending	5		0%
Get Devices From Wareh	10/20/2015	10/21/2015			Pending	1		0%
Recieve Shipment	10/20/2015	10/21/2015			Pending	1	inv	0%
Install Devices	10/22/2015	10/27/2015			Pending	5		0%
Connect Fiber	10/28/2015	10/31/2015			Pending	3		0%
Provision Connectivity	11/1/2015	11/2/2015			Pending	1		0%
Activate Devices	11/1/2015	11/4/2015			Pending	3		0%

Total Results: 11

You can modify the workflow as necessary based on the business context of the work order. For example, you can add and remove activities, change durations, and change dependencies between activities. When you insert an activity, you can choose from all the activities that have been deployed to UIM in all workflow templates.

About Activities and Checklists

An activity is a unit of work that can be assigned to one person. An activity can be work that is performed in UIM, such as creating inventory items. It can also be a real-world task, such as installing equipment or connecting cables.

In Design Studio, you define activities as Task specifications and include them in Process specifications. You can optionally associate a Task specification with a Checklist specification that defines steps that need to be completed

In UIM, when you associate a workflow template with an engineering work order or business interaction, the template's activities and any associated checklists are included. In the **Activity Details** tab of the Engineering Work Order or Business Interaction Summary page, Activities with associated checklists are marked with a checklist icon.

Activities in workflows have a four-step life cycle:

- Activities begin in Pending status, indicating that they cannot be worked on until activities before them in the workflow are completed.
- An activity transitions to Ready state when all of the activities before it have been completed. This status indicates that work on the activity can begin.
- The activity transitions to In Progress status when the assigned user or project manager starts it.
- When the activity is completed, it transitions to Completed. It cannot be changed unless you reopen it. (Reopening activities require that you have project manager role and privileges.)

The activities in [Figure 7-2](#) are in various statuses. Some of the activities have checklists.

Working with Activities in the Activity Summary Page

Both project managers and assigned users work with activities in the Activity Summary page. Activity Summary pages display complete information about activities, including identifying information, checklists, and associated resources. There are two ways to open Activity Summary pages:

- From the **Activity Details** tab in a Business Interaction or Engineering Work Order page, click the name of an activity.
- From the Activity List section of a My Activities or My Group Activities page, click the name of an activity.

In the Activity Summary page, you can perform a variety of tasks, including:

- Making life cycle changes, such as starting and completing activities.
- Updating the activity progress indicator.
- Associating resources to activities.

- Marking checklist items as complete.
- Adding checklist items.

See UIM Help for instructions about performing these tasks.

Managing Activities

Project managers have three main workflow responsibilities:

- [Assigning Activities](#)
- [Updating Workflows](#)
- [Monitoring Progress](#)

Assigning Activities

You assign activities to the users who will complete them. For example, one activity in a workflow may be to create a set of resources in UIM. You assign that task to a network designer or planner. Another activity may be to install equipment in the field, which you assign to a field engineer.

You assign activities in the **Activity Details** tab of an Engineering Work Order or Business Interaction page. See UIM Help for instructions.

The users from which you can select are determined by the permissions assigned to users in Oracle Enterprise Manager. Task specifications can also restrict which users can be assigned to activities. The specification can include a list of user groups to which assigned users must belong. You set up user groups in WebLogic Server Administration Console. See *UIM System Administrator's Guide* for more information about assigning permissions and defining user groups.

If email notification is set up in UIM, users receive notification when they are assigned an activity and also when the activity is ready to be worked on. See "[About Email Notification](#)" and UIM Developer's Guide for more information.

Updating Workflows

Workflow templates define the list and order of activities in an engineering work order of business interaction. You can modify this workflow by:

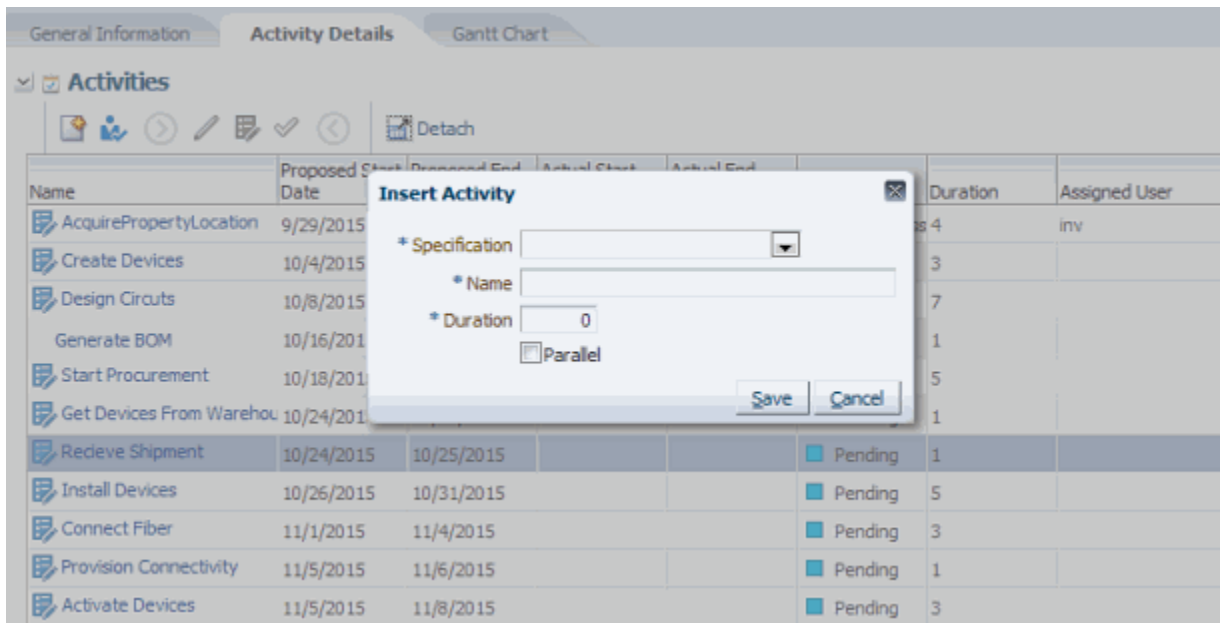
- [Adding Activities](#)
- [Modifying Dependencies](#)
- [Completing and Reopening Activities](#)

Adding Activities

A workflow template describes the normal flow of activities in a workflow. It cannot take real-life variations into account. You can add activities to a workflow to reflect work that was not included in the original template.

When you add an activity, you specify the Task specification, enter a name, specify the duration, and define whether the activity is parallel to (executed at the same time as) the activity that precedes it in the workflow. [Figure 7-3](#) illustrates the process of adding an activity.

Figure 7-3 Inserting an Activity



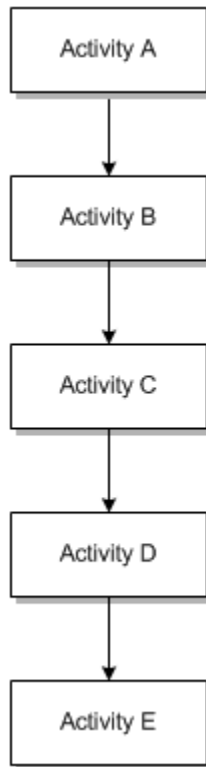
When you add an activity, you can choose from all the Task specifications that have been deployed to UIM for all workflow templates.

Modifying Dependencies

The dependencies in a workflow are based on the order of the activities. Activities later in the workflow are dependent on the completion of activities earlier in the workflow. In cases where two parallel activities exist, the next activity in the flow may be dependent on both.

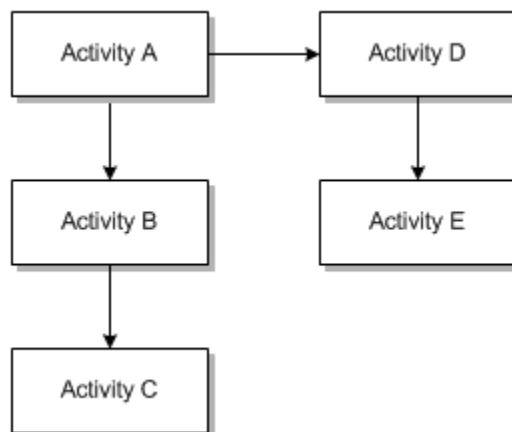
You can use the **Gantt Chart** tab to modify the dependencies among activities in the workflow to meet your specific requirements.

[Figure 7-4](#) shows a simple linear structure.

Figure 7-4 Simple Workflow Dependencies

In some situations, a linear flow might be inefficient. Work on activity D can begin only when activity C is complete. If there is no true dependency between activity C and D, this structure means that the workflow takes longer than necessary.

You can modify the workflow to create multiple branches so different activities can be worked at the same time, as shown in [Figure 7-5](#).

Figure 7-5 Branched Workflow Dependencies

In the revised workflow, activities A – C can be complete independently of activities D – E.

There can be any number of multiple branches as long as there are no loops (circular dependencies). An individual branch does not have to flow all the way to the end of the workflow, but at least one branch must.

When you modify dependencies, the Gantt chart updates automatically to reflect the new structure. See UIM Help for more information about modifying dependencies.

Completing and Reopening Activities

Assigned users usually complete activities after they work on them, but project managers can also complete them from the **Activity Details** tab. Completing an activity changes the status of the next item in the workflow from Pending to Ready.

If an activity includes a checklist, all the items in the checklist must be completed before the activity can be completed.

After an activity has been completed, you can reopen it to make additional changes. (Reopening activities requires that you have a project manager role and privileges.) For example, if the activity covers the installation of a piece of equipment, you may discover after completion that the installation was incorrect. You can reopen the activity while the rework occurs. When you reopen an activity, any in-progress activities dependent on it are reset to Pending state and checklist items are reset to incomplete. Resources associated with the dependent activities are retained, however.

See UIM Help for more information about completing and reopening activities.

Monitoring Progress

You can view the overall progress of a workflow as a Gantt chart. Each activity is shown as a separate line.

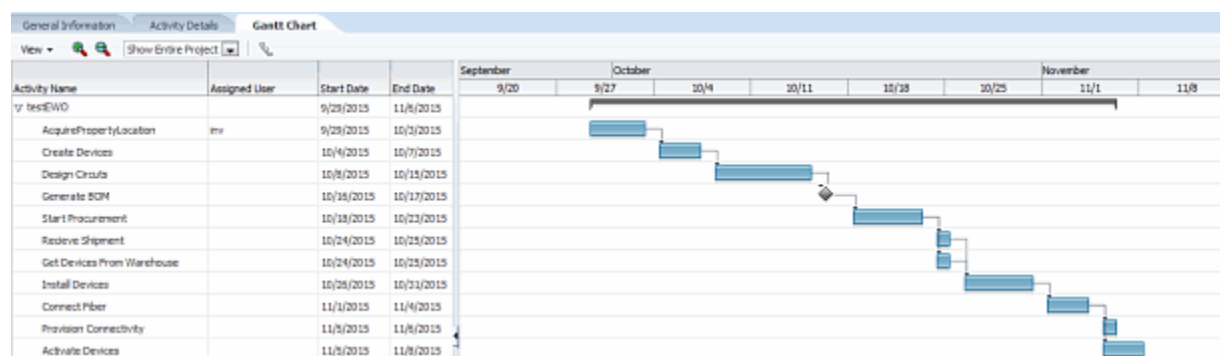
The left portion of the chart lists each activity along with the assigned user, if there is one. The Start Date and End Date columns reflect the status of the activity. For activities in Pending and Ready states, these are the scheduled dates. For activities in the In Progress state, the start date is the actual start date; for activities in Completed state, both dates are actual.

The graphical portion of the chart includes a bar that represents the duration of each activity. Arrows connect bars to indicate dependences. Other properties of the activities are also displayed:

- Completed activities are highlighted.
- Activities that have been identified as critical as shown in red.
- Milestone activities are displayed as diamonds.

[Figure 7-6](#) shows a Gantt chart for a workflow that is included in an engineering work order.

Figure 7-6 Gantt Chart of a Workflow

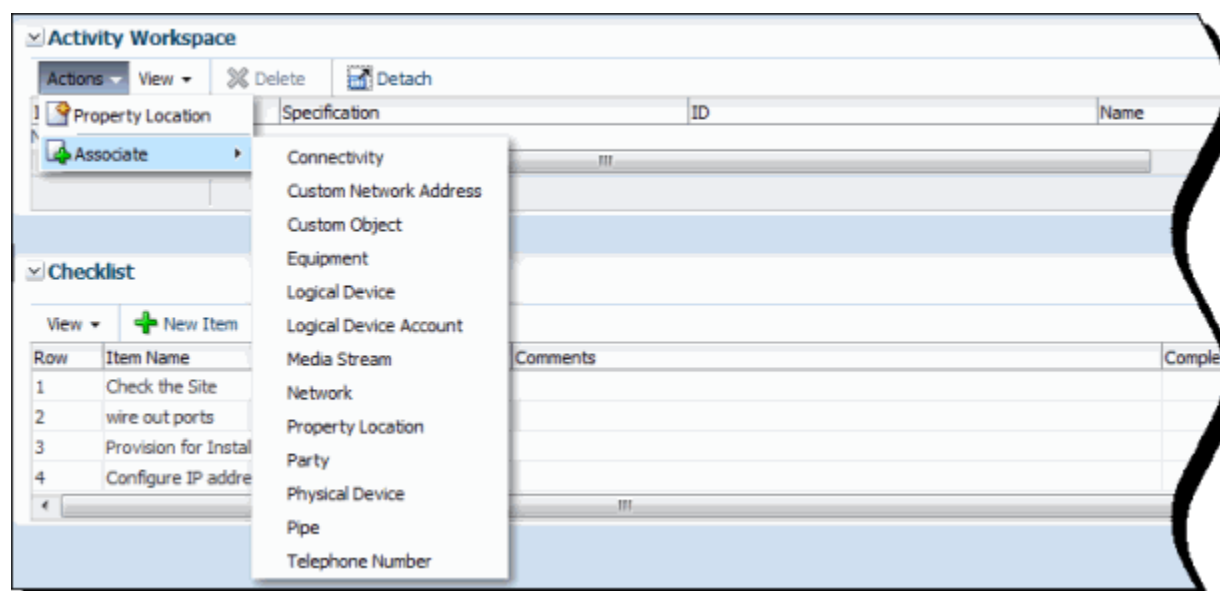


Associating Resources with Activities

You can associate resources with activities in the Activity Workspace area of an Activity Summary page. The resources you associate with activities become items in the business interaction or engineering work order to which the activity's workflow belongs. See "[Business Interactions](#)" for more information about business interaction items.

If the Task specification on which the activity is based includes an association with a resource specification, you can create that resource from the **Actions** menu in the Activity Workspace section of the Activity Summary page. [Figure 7-7](#) shows an Activity Workspace section with the **Actions** menu open. One resource specification (Property Location) has been associated with the Task specification. The other entities you can associate with the activity are visible as part of the **Associate** sub-menu.

Figure 7-7 Activity Summary Page Actions Menu



See UIM Help for more information about associating resources with activities.

About Assigned Activities

After a project manager assigns a user to an activity, only that user (or the project manager) can make changes to it. The assigned user is responsible for performing the actions described by the activity and for recording its progress and completion.

Assigned users may receive email notification when they are assigned an activity and when the activity is ready to be worked on. See "[About Email Notification](#)" for more information.

Assigned users access the Summary pages of their activities either through links in email notifications or from the My Activities page. See "[Working with Activities in the Activity Summary Page](#)" for an overview of the Activity Summary page.

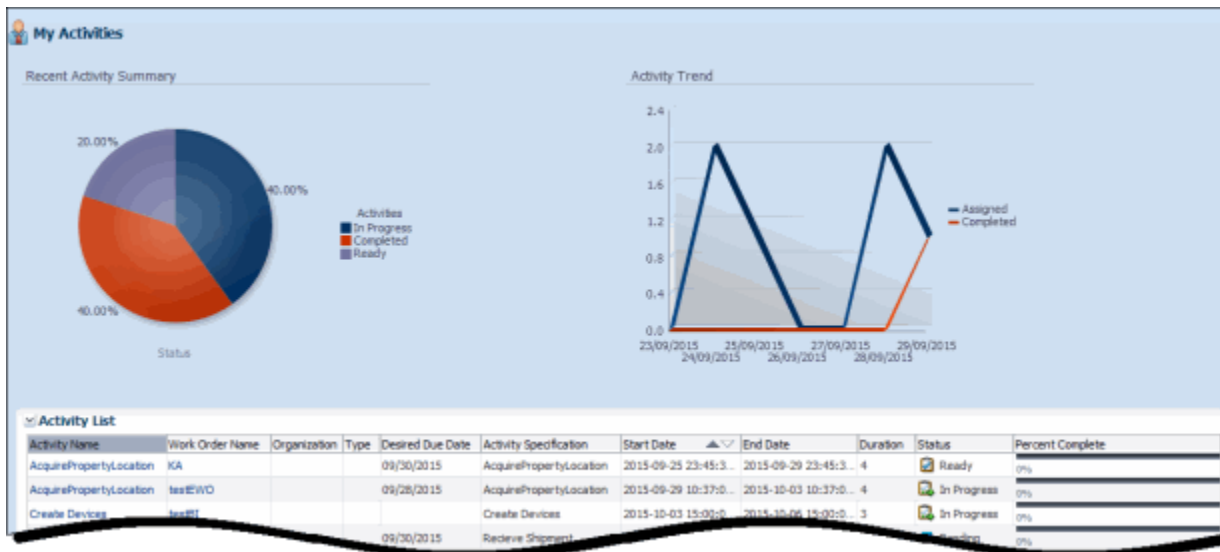
The My Activities page displays a list of all activities assigned to the user who opened the page.

You can manage the activities assigned to you by using the My Activities page. The My Activities page has three sections:

- **Recent Activity Summary.** This section displays a pie chart that shows the distribution of your activities by their statuses (Completed, In Progress, Ready, and Pending). Mousing over a section in the chart displays additional information, including the total duration of the activities in the section.
- **The Activity Trends section** displays a graph that represents the number of activities assigned to you and the number you have completed.
- **The Activity List section** displays a scrolling list of all activities assigned to you, which includes detailed information about each. You can click an activity name in the list to open its Activity Summary page. From the Activity Summary page, you can record your work on the activity and update your status.

Figure 7-8 illustrates the My Activities page.

Figure 7-8 My Activities Page



Some activities are performed within UIM. For example, the activity might be to design a network in UIM. In those cases, the assigned user has access to many pages in UIM. In other cases, the activity might be a physical action performed by a field engineer. In this situation, the field engineer may have access only to the My Activities page and the Activity Summary page in UIM.

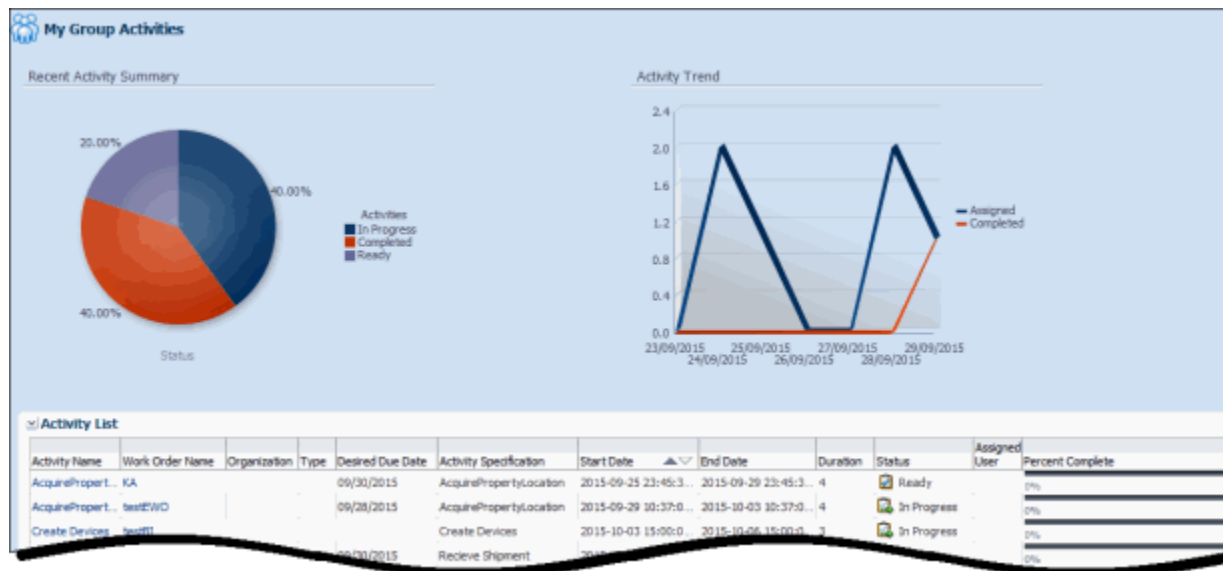
Monitoring Activities by Workgroup

Both project managers and users can monitor the progress of activities of workgroups to which they belong. The My Group Activities page show information about all the activities assigned to the workgroup. The information is similar to that provided in the My Activities page, except that it pertains to all activities assigned to all members of the workgroup. The Activity List section includes an Assigned User column.

You can click an activity name in the Activity List to open its Activity Summary page. If you are the assigned user or the project manager, you record your work on the activity and update its status. If the activity has no assigned user, you can assign it.

Figure 7-9 illustrates the My Group Activities page.

Figure 7-9 My Group Activities



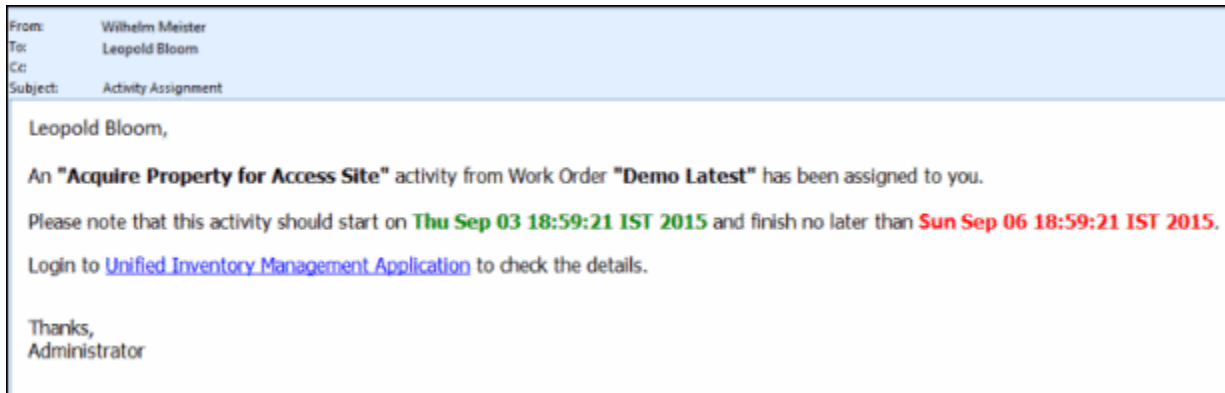
About Email Notification

UIM can be configured to send notification emails to users who have been assigned tasks.

If UIM is configured to send notifications, you receive emails when you are assigned an activity and when the activity transitions to Ready status can be worked on. Additional notifications are possible depending on how UIM is configured. Notifications include a link that takes you directly to the Activity Summary page of the assigned activity.

The exact content of notification emails depends on how UIM is configured, but Figure 7-10 provides an example.

Figure 7-10 Notification Email



Generating a Bill of Material

You can generate a Bill of Materials (BOM) for engineering work orders, business interactions, and projects. The BOM is based on the resource and activity specifications included in the associated workflow template, including any modifications made in UIM. (For projects, the BOM reflects the combined BOMs of the business interactions and engineering work orders in the project.

You can generate four different types of BOM:

- Activity. Lists all activities in the workflow.
- Quote. Lists activities and resources in the workflow whose specifications have been tagged as billable in Design Studio. The BOM also includes the cost of resources and activities based on specifications that include cost reference tags. The cost of resources and activities with no cost reference tag is shown as **0**.
- Resource. Lists all resources associated with activities in the workflow and all resources that are created or updated in the business interaction or engineering work order.
- Engineering. Combines the content of the Activity and Resource types.

Figure 7-11 illustrates a the Bill of Materials Details page in UIM.

Figure 7-11 Bill of Materials in UIM

BOM Item Name	Specification	Entity Type	Start Date	End Date
4-testEWO				
BOM Resources				
105-null	Channelized Facility			
95-null	Channelized Facility			
93-null	Channelized Facility			
9-CCC.LD.STM4	STM4 ADM	Logical Device		
8-BBB.LD.STM4	STM4 ADM	Logical Device		
7-AAA.LD.STM4	STM4 ADM	Logical Device		
BOM Activities				
AcquirePropertyLocation	AcquirePropertyLocation	Activity	9/29/2015	10/3/2015
Create Devices	Create Devices	Activity	10/4/2015	10/7/2015
Design Circuits	Design Circuits	Activity	10/8/2015	10/15/2015
Generate BOM	Generate BOM	Activity	10/16/2015	10/17/2015
Start Procurement	Start Procurement	Activity	10/18/2015	10/23/2015
Recieve Shipment	Recieve Shipment	Activity	10/24/2015	10/25/2015
Get Devices From Warehouse	Get Devices From Warehouse	Activity	10/24/2015	10/25/2015
Install Devices	Install Devices	Activity	10/26/2015	10/31/2015
Connect Fiber	Connect Fiber	Activity	11/1/2015	11/4/2015
Provision Connectivity	Provision Connectivity	Activity	11/5/2015	11/6/2015
Activate Devices	Activate Devices	Activity	11/5/2015	11/8/2015

To be included in a BOM an activity or resource must be based on a specification to which the billable tag has been applied in Design Studio.

Generating the cost data for activities requires development work in addition to the use of tags. In Design Studio, you define custom tags for specific entity types and apply them to the relevant specifications. The tag includes information that is passed to a method that calls an external system to generate the cost data. See Design Studio Help and *UIM Developer's Guide* for more detailed information.

The currency used for costs on BOMs is defined by the **billofmaterial.currency** entry in the system configuration file. The default currency is US dollars. See *UIM System Administrator's Guide* for more information about the system configuration file.

Exporting a Bill of Materials to XML

You can export the BOM generated from an engineering work order into a file in XML format. You can use a parser to generate a version in another format, such as XLS or PDF. The BOM functionality can be extended so that information is included in the XML file that does not appear in UIM. See *UIM Developer's Guide* for more information.

[Figure 7-12](#) illustrates a BOM exported to an XML file.

Figure 7-12 Bill of Materials Exported to XML

```
1 <?xml version="1.0" encoding="UTF-8"?>
2 <BillOfMaterial>
3   <id>16</id>
4   <name>BOM Demo</name>
5   <type>Quote</type>
6   <totalCost>$ 5200.0</totalCost>
7   <BillOfMaterialItem>
8     <sequenceNumber>1</sequenceNumber>
9     <BillOfMaterialResource>
10      <id>3</id>
11      <name>CISCO3820CHIG123</name>
12      <specificationName>Cisco 3850</specificationName>
13      <BillOfMaterialCost>
14        <cost>$ 2000</cost>
15      </BillOfMaterialCost>
16      <entityType>Logical Device</entityType>
17      <billable>true</billable>
18      <propertyAddress></propertyAddress>
19    </BillOfMaterialResource>
20  </BillOfMaterialItem>
21  <BillOfMaterialItem>
22    <sequenceNumber>2</sequenceNumber>
23    <BillOfMaterialResource>
24      <id>1</id>
25      <name>HUAWEI12Chig</name>
26      <specificationName>Huawei iODF310</specificationName>
27      <BillOfMaterialCost>
28        <cost>$ 1000</cost>
29      </BillOfMaterialCost>
30      <entityType>Equipment</entityType>
```

See UIM Help for information about how to export a BOM to XML.

Workflow Example

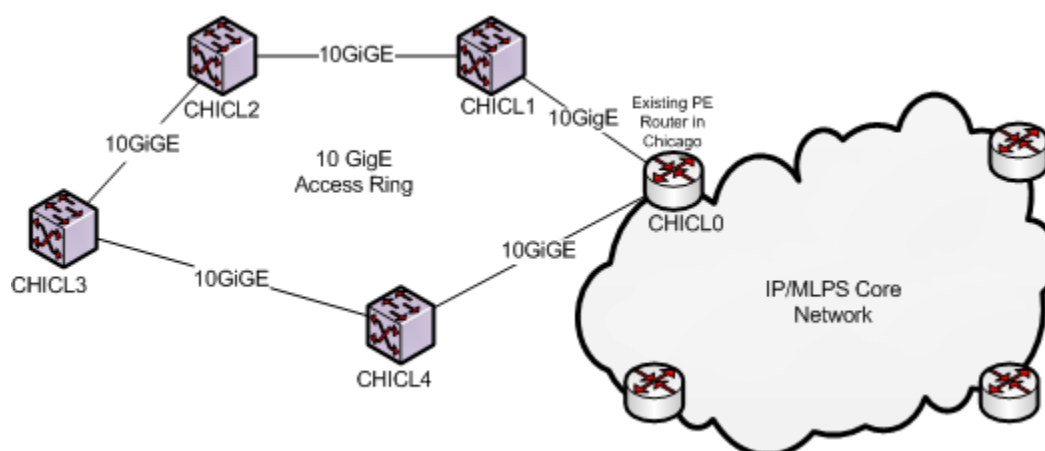
This section provides an example of using UIM's workflow management capabilities to complete an infrastructure project in a service provider network. The example is written from the perspective of the service provider.

Background

This example describes a project to build an Ethernet access ring in Chicago and connect it to an existing IP/MPLS core network. This project could arise for several reasons:

- Greenfield readiness: You want to increase capacity in anticipation of customer need.
- Brownfield readiness: Your current capacity in Chicago is depleting quickly because of customer demand, so you need to increase capacity.
- Fulfillment: You have received a service order for an enterprise-scale E-LAN service in Chicago.

Figure 7-13 illustrates the scenario at a high level.

Figure 7-13 Ethernet Access Ring and Core Network

Planning the Workflow

Because this project is complex, network operations decision-makers and project managers decide to break it into several engineering work orders grouped into a project.

- The project manager creates a Project entity for the Ethernet access ring buildout. The project includes the probable completion date and other milestones.
- After receiving approval for the project, the project manager creates four engineering work orders corresponding to the installation of the four Ethernet switches. The engineering work orders must be completed sequentially because each successive switch and connectivity creation requires the switch created in the previous engineering work order.

Each of the engineering work orders is associated with the Access Site Rollout workflow template. This workflow template has been developed as the result of experience with previous rollouts.

- The project manager creates an engineering work order for the creation of the access network. This engineering work order is associated with the Access Network workflow template.

In this scenario, the project and engineering work orders were created manually in the UIM user interface. They could also be created from another application, such as Network Intelligence, by using web services.

Figure 7-14 illustrates the relationships between the project and its engineering work orders.

Figure 7-14 Projects and Engineering Work Orders

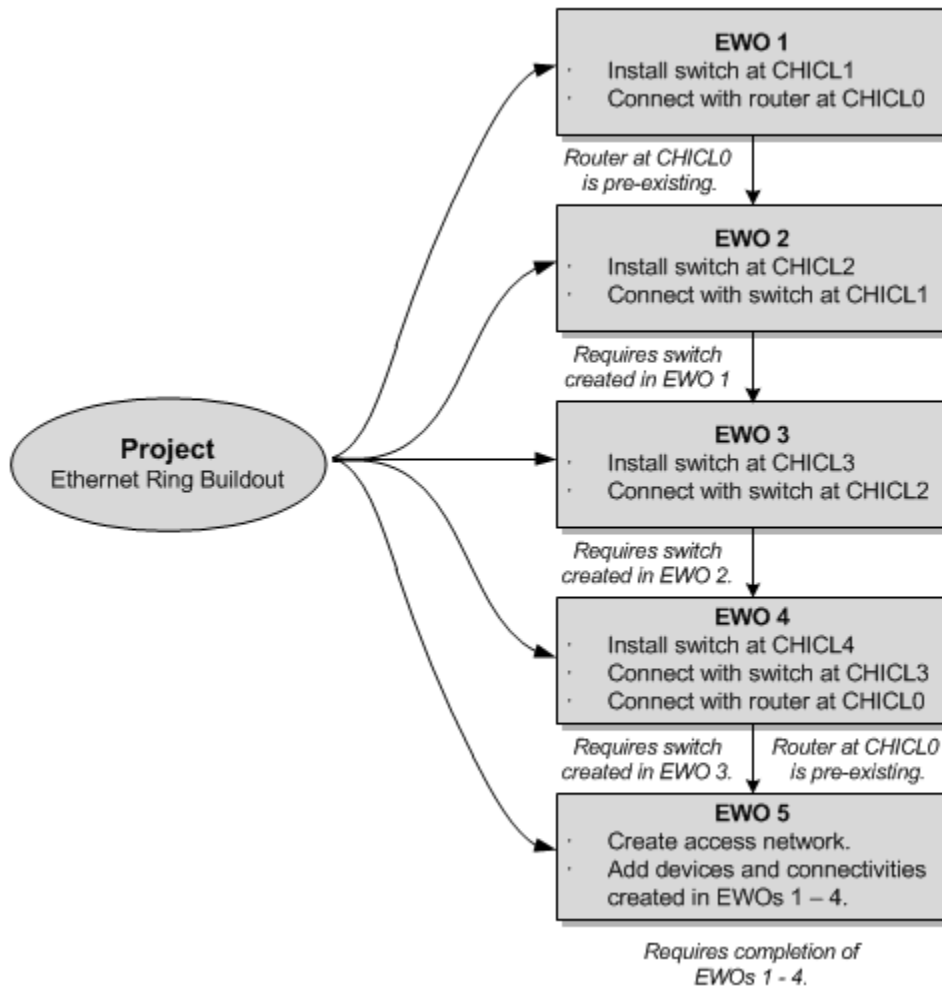
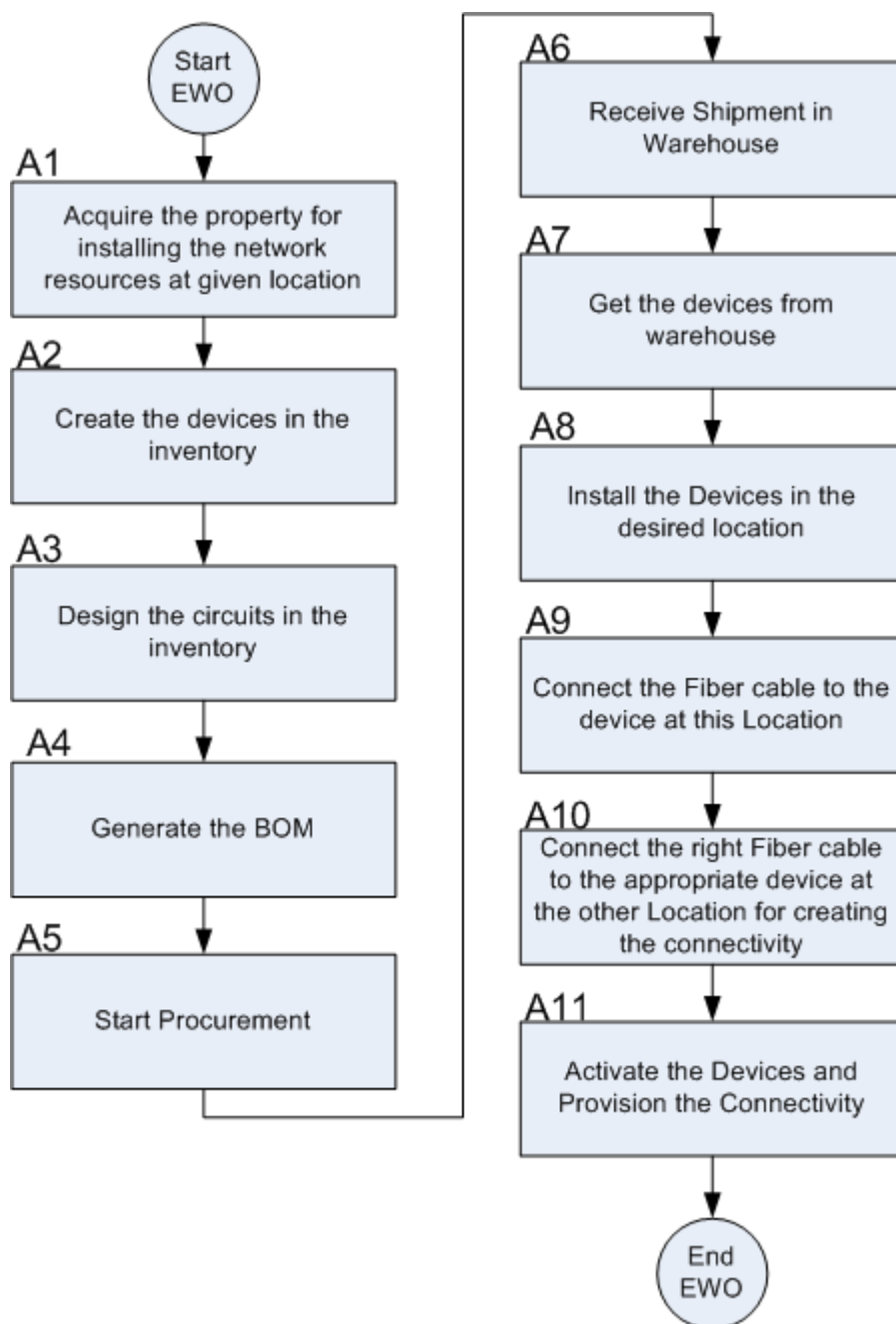


Figure 7-15 illustrates the activities in the Access Site Rollout workflow template that is associated to each of the four engineering work orders for switch installation.

Figure 7-15 Access Site Workflow Template



Managing the Workflow

After the creation and approval of the project and related engineering work orders, the project manager begins to assign users to activities. The activities must be assigned and completed in order. Different users are assigned to activities based on their job function. For example, a facilities manager is assigned activity A1 while field engineers are assigned to activities A7 through A10.

If you have enabled email notifications, assigned users receive notifications when they are assigned activities and when those activities are ready to be worked on (in Ready status). An activity can be in Ready status only when activities on which it is dependent (those that come before it in the workflow) are completed.

The project manager project tracks the progress of the activities and engineering work orders in the project by using the **Activity Details** and **Gantt Chart** tabs in the Engineering Work Order Summary page. [Figure 7-6](#) illustrates a **Gantt Chart** tab.

Working On Assigned Activities

While the business interaction is in progress, assigned users receive email notifications when activities are ready to be worked on. They also monitor their assignments in the My Activities page.

For example, imagine you are the user assigned to step A4 (Generate BOM) in the workflow depicted in [Figure 7-15](#) for the engineering work order EWO1. You previously received an email notification stating that you had been assigned that activity. Your subsequent work might proceed like this:

- You receive an email stating that the activity is ready to be worked on. At the same time, your My Activities page is updated to show the activity in Ready status.
- You open the Activity Summary page for the activity and start it.
- You go to the Summary page of EWO1 and generate a quote BOM. You export it to XML and store the resulting file in a designated location.
- You return to the Activity Summary page and complete the activity. That action sets the status of activity A4 to Completed and the status of activity A5 to Ready.

Completing the Engineering Work Orders and the Project

Each activity in each engineering work order proceeds as described in the previous section. The project manager monitors the progress of the activities and the engineering work orders as outlined in "[Managing the Workflow](#)". As the activities in an engineering work order are finished, the project manager completes it so that work on the next engineering work order can begin. UIM transitions resources included in completed engineering work orders to Installed status.

When all engineering work orders are complete, the project manager sets the project to Completed status.

8

Resource Entity Management

This chapter explains how you use the resource management features in Oracle Communications Unified Inventory Management (UIM). UIM includes several different types of entities that you use to manage resources in various ways:

- [Inventory Groups](#)
- [Network Address Domains](#)

Inventory Groups

You use inventory groups to organize and correlate entities in your inventory. You can define inventory groups to organize entities based on criteria such as:

- Geographic area, such as country, district, community, or location on a machine room floor
- Resource pools
- Serving area
- Billing area
- Service types offered by serving area
- Resources identified for a particular purpose

You can write rulesets to control the behavior of entities in inventory groups. See *UIM Developer's Guide* for information about rulesets and extending the product.

The following entity types can be included in inventory groups:

- Custom Network Addresses
- Custom Object
- Equipment
- Flow Identifier
- IPv4 Address
- IPv4 Subnet
- IPv6 Address
- IPv6 Subnet
- Logical Device
- Logical Device Account
- Party
- Physical Device
- Pipe
- Pipe Termination Point

- Property Location
- Service Specification
- Telephone Number

You are not required to define an Inventory Group specification to create inventory groups in UIM. You can define Inventory Group specifications to include characteristics or to associate specific entities with specific inventory groups in UIM.

About Inventory Group Types and Resource Pools

In Design Studio, you can optionally associate Inventory Group specifications with Inventory Group Type specifications. Inventory group types define specific entities or groups of entities that can or must be included in the inventory group. Inventory groups with inventory group type associations are called resource pools. They are used to manage the assignment of resources in UIM.

For example, you can create a Telephone Number Resource Pool Inventory Group Type specification in Design Studio, define that only Telephone Number entities can be included, and specify that these entities are required. You can then associate the Inventory Group Type specification with appropriate Inventory Group specifications to define telephone number resource pools. In UIM, you add telephone numbers to these resource pools and use them to manage assignments.

Two Inventory Group Type specifications are included in the Base Specifications base cartridge:

- IP Resource Pool
- Flow Identifier Resource Pool

Creating Inventory Groups in UIM

In UIM, you can build inventory groups and add entities to it in two ways: you can create an inventory group and add entities to it, or start with an entity and add it to an inventory group.

About Inventory Group Hierarchies

You can form hierarchies of inventory groups in UIM. For example, you can use inventory groups to manage resources for large serving areas and include child inventory groups in the hierarchy for smaller, included serving areas.

Network Address Domains

Network address domains define a context for the uniqueness of network addresses. For example, in the public domain, an IP address must be unique among all IP addresses on the Internet. In contrast, an address can exist in more than one private routing domains. You can use network address domains to define those private routing domains. When you search for an IP address, you can use the network address domain as a search criterion to ensure that you select from the correct addresses.

In UIM, you can use network address domains with the following entities:

- Flow identifiers

- IPv4 addresses
- IPv6 addresses
- IP subnets
- Telephone numbers

Network address domain entities are based on specifications that you define in Design Studio. Predefined specifications are included in some sample cartridges, such as the Carrier Ethernet cartridge.

See Design Studio Help for information about defining Network Address Domain specifications. See "[IP Address Management](#)" and "[About Flow Identifiers](#)" for information about how you use network address domains in those contexts.

9

Services

This chapter describes how you model services in Oracle Communications Unified Inventory Management (UIM).

About Services

A service represents the way that a product is realized and delivered to a customer. For example, if you sell DSL Gold as a product, it is delivered as a DSL Gold service, enabled by appropriate resources.

You define Service specifications to record basic information about the service. You define Service Configuration specifications to record versionable sets of facts about the service. As these facts evolve over time, you can create new configuration versions. See "[Configurations](#)" for more information.

When you define a Service specification, you determine if the service can be assigned to multiple entities and if it can assign entities that allow multiple assignments. See "[Consumption](#)" for more information about consumption and shared consumption.

Creating a Service and a Service Configuration in UIM

To create a service and service configuration in UIM, do the following:

- Create a service using the Service specification
- Add a service configuration to the service by selecting a Service Configuration specification
- Add configuration items to the service configuration
- Modify or enter any characteristics
- Manually assign or reference resources to configuration items or use the auto configure feature. To use the auto configure feature, you must extend the product. See *UIM Developer's Guide* for information about extending UIM.
- Validate the service configuration and the service. The default validation checks date integrity, but you can extend the product to include customized validations. See *UIM Developer's Guide* for information about extending UIM.
- Approve, issue, and complete the service configuration using the **Actions** menu.

See the UIM Help for the detailed steps to create services, to create service configurations, and to assign resources.

[Figure 9-1](#) shows a Service configuration with several configuration items in UIM.

Figure 9-1 Service Configuration Information in UIM

The screenshot displays the 'Service Configuration' window for 'ws_Service4000 - Version1'. It is divided into two main sections: 'Configuration Items' and 'Business Interactions'.

Configuration Items Table:

	Specifications	Assignment/Reference Status	Resources	Actions
Service:Se_wsServConf_4000-1 - 1 - Se_...				
Characteristics				
CHAR_TEXT_Serv_Conf - This field i...				
ExchangeServer	ExchangeServer_...	Assigned	ExchangeServer #1 - ExchangeServer #1	
Laptop	Laptop_Spec	Assigned	Laptop #1 - Laptop #1	
Modem	Modem_Spec	Assigned	Modem #1 - Modem #1	
Modem_To_Equipment	Cable_Modem_To...	Assigned	323 - Cable_Modem_To_Ec	

Business Interactions Table:

ID	Name	Specification	Status	Effective Date	Other System	
					System Name	Entity Name
No data to display.						

Service Topology

The service topology shows the service resources on a graphical canvas similar to the network topology canvas. You access the service topology from the **Related Pages** menu.

See "[Networks](#)" for more information about the canvas and the UIM Help for more detailed information about using the canvas tools.

You can move entities on the canvas and save views. You can also select an entity and view its summary information. You can also modify the graphics shown for an entity type by adding a graphic file to the entity specification through the **Media** tab in Design Studio.

The service topology displays assigned items that can include equipment, pipes, logical devices, network nodes and edges, places, and physical devices. UIM can be extended to include trails and termination points. See *UIM Developer's Guide* for more information about extending UIM.

About Network-Oriented Services

UIM supports network-oriented services that include multipoint and point-to-point packet connectivity. For example, the Carrier Ethernet sample cartridge includes specifications for E-Line, E-LAN, and E-Tree services. Each of these Service specifications is accompanied by a matching Service Configuration specification.

 **Note:**

Network service configurations have a different life cycle from those of other service configurations. They do not have to be complete before the creation of a new configuration.

Similarly, the Packet and DSL sample cartridges contain specifications for services related to other packet technologies.

A multipoint or rooted multipoint service comprises the following elements, which are included as configuration items in the service configuration:

- A service network. The service network provides a unified view of the service. It includes the devices and connectivities that fulfill the service. See "[About Service Networks](#)" for more information.
- Member services. A separate member service is created for each service location. Each member service includes the service location, network access connectivity, and packet virtual network (PVN). A member service cannot be created without a parent network service.

In Design Studio, specifications for member services are defined as configuration items in the configuration specification associated with the network service specification.

Point-to-point services do not require separate network and member service entities. A single Service entity, such as one created from the E-Line Service specification provided in the Carrier Ethernet sample cartridge, represents the service as a whole. The point-to-point service configuration includes items for:

- Two service locations.
- One or two UNI connectivities. At least one UNI is required. If the second UNI is not specified, the corresponding service location is considered outside the provider network.
- One to many PVNs. At least one PVN is required. A separate PVN can be used for each service location, however.
- A single Service connectivity representing the end-to-end connectivity.

Only the Service connectivity is assigned to the service; the remaining items are referenced.

High-Level Steps for Creating a Network-Oriented Service

You follow a general order of operations when creating and configuring a network-oriented service. There might be minor variations depending on the particular technology and service type you are creating.

Depending on your business practices, all or some of these operations can be completed by web services rather than manual activities in the UIM user interface.

1. Create service locations and network locations.

Service locations represent customer sites where service is delivered. Network locations represent sites where you have installed network equipment. See "[Property Locations](#)" for more information.

2. Create logical devices in the relevant locations.

You use Logical Device entities to model routers, multiplexers, DSLAMs, and other network devices. Sample specifications for packet devices are provided in the Carrier Ethernet and DSL sample cartridges. You can also design your own specifications in Design Studio for specific devices used in your network.

See "[Associating Logical Devices with Network Locations and Network Entity Locations](#)" for more information about locating devices.

3. Create and design connectivity between logical devices.

The type of connectivity you use depends on the technology and network type. For example, a Carrier Ethernet network can include UNI, INNI, and ENNI connectivities. ATM and Frame Relay technologies have their own connectivities.

See "[Packet Connectivity](#)" for more information about packet connectivity. See *UIM Carrier Ethernet Cartridge Guide* for detailed information about using the sample Connectivity specifications provided in that cartridge.

4. Create the PVNs needed for the service. In multipoint services, there may be multiple PVNs. For point-to-point services, there is usually only one.

Different technologies have different PVNs. The Carrier Ethernet sample cartridge includes specifications for EVCs, OVCs, and other networks. See "[About Packet Virtual Networks](#)" for more information.

5. Add flow identifiers to PVNs.

Flow identifiers represent the tags used by different technologies to distinguish packets as they flow through interfaces in the network. Each network technology has its own set of flow identifiers, such as SP-VLAN IDs and CE-VLAN IDs for Carrier Ethernet or DLCIs for Frame Relay. See "[About Flow Identifiers](#)" for more information.

6. Set class of service, quality of service, and bandwidth profile attributes for the PVN as a whole and for individual flow interfaces.

In UIM, these attributes are modeled as Custom Object entities with characteristics that represent the various metrics. Examples of bandwidth profile, class of service and other performance parameter specifications are included in the Packet and Carrier Ethernet cartridges. See "[Performance Parameters](#)" for more information.

7. For multipoint services (such as Ethernet E-LAN or E-Tree):

- Configure a member service for each service location.
- Reference a PVN and an access connectivity for each member service.
- Create a Service connectivity for each member service.
- Create the network service and service configuration.
- Assign the member services to the network service configuration.

8. For point-to-point services (such as Ethernet E-Line):

- Create the service and service configuration.
- Reference the PVN and access connectivities.
- Create a Service connectivity.

9. Issue, approve, and complete all services.

Automated Validations and Configurations During Network Service Creation

UIM partially automates the validation and configuration of network-oriented services. Validation ensures that the Service configuration includes the information required to automatically create a Service connectivity and a Service network. The Service network provides an end-to-end view of the service.

In addition to the actions listed in the following sections, UIM performs validations and automatic life cycle transitions related to deleting, canceling, and disconnecting services. These validations ensure that all related services and configurations are in compatible statuses after an action. For example, if you cancel a network service, UIM validates that all member services are in Disconnected or Canceled status before setting the network service status to Canceled.

Member Service Automated Validations and Configuration

When you assign a Service connectivity to a member service, UIM:

- Validates that the A service location is provided.
- Validates that the access connectivity is provided.
- Validates that the access connectivity is terminated on a device interface.
- Validates that the PVN is provided.
- Validates that the member service is part of a network service.
- Validates that a service network exists on the network service.
- Validates that a Trunk flow interface exists in the PVN on the same logical device as the access connectivity device interface termination or that an Internetwork interface exists in the PVN.

If the validations are successful, UIM automatically:

- Creates and designs the service connectivity.
- Sets the A Location to the service location.
- Sets the Z location to the Z termination of the access connectivity.
- Sets the CIR and MIR (if a bandwidth profile exists in the Service configuration).
- Sets the connectivity function to match the service network function.
- Automatically designs the service connectivity to ride the access connectivity.
- Assigns any flow identifiers assigned in the Service configuration to the service connectivity.
- Automatically associates the service connectivity to the service network in Pending Install status.

When you complete a member service, UIM automatically:

- Sets the member service configuration status to Completed.
- Sets the member service status to In Service.
- Sets the service connectivity configuration status to Completed.

- Sets the service connectivity status to Installed.
- Validates the PVN to ensure that:
 - All service connectivities are in Assigned or Pending Assigned status.
 - All service connectivities are cross-connected to the PVN.
 - All connectivities referenced in the service network are in Completed status.

The service connectivity can now be viewed in the Current context and is listed as Installed in the service network.

Network Service Automated Validation and Configuration

When you create a new network service, UIM automatically:

- Creates a service configuration.

This behavior requires that the **uim.entity.autoCreateDefaultVersion** system configuration parameter be set to **true**. See *UIM System Administrator's Guide* for more information.
- Builds the service network.
- Assigns the service network to the network service.
- Creates a service network configuration.

When you complete a network service, UIM:

- Validates that all member services are in Completed status.

Note that UIM does not automatically complete member services. You must complete each member service individually.
- Changes the service network configuration from In Progress status to Completed.
- Validates the service network. This validation is the same as a manual validation of the network.
- Validates that all member services have a service location.
- Validates that all service locations for the member services are in the service network.
- Validates that all connectivity referenced in the service network is in Completed status.

About Products

Product entities are included in UIM for backward compatibility with customized solutions that require mapping services to corresponding products. The UIM navigation section does not include a **Product** link unless the user is authorized to access the Product Search page. Access is turned off by default. See *UIM System Administrator's Guide* for information about authorizing user access.

You can clone or modify existing Product specifications in Design Studio. See Design Studio Help for more information.

10

Geographic Location

This chapter provides information about the Oracle Communications Unified Inventory Management (UIM) features that enable you to define the geographical aspects of your inventory. There are two ways to model geographic locations in UIM:

- Place entities are hierarchical in nature. They enable you to define locations as parts of geographical hierarchies such as Country - Province - City - Area. See "[Places](#)" for more information.
- Property Location entities are optimized for defining the locations of devices and services in your network. See "[Property Locations](#)" for more information.

You can include property locations in the hierarchies of Place entities. For example, you could create property locations for sites that host equipment and include them in the hierarchies of Place entities that represent geographic areas.

Places

You use Place specifications to define geographic entities that can be located on a map, such as a state, city, street, postal address, campus, or building. Place entities answer the business question of where other inventory entities (such as subscribers, services, equipment, service terminations, and so on) are located.

There are four types of Place specification that describe different geographical entities:

- **Location** defines places based on geographic references.
- **Address** defines ways to locate places based on textual information.
- **Address Range** defines a group of addresses as a range, such as an address defined with a low street number and high street number.
- **Site** defines places that do not have a single, precise location, such as a regional office. They can also be used for places that may change physical locations over time, such as a cell site. Because sites are only loosely defined, they can evolve over time. For example, you might need to plan a VPN without knowing the specific locations of the VPN sites. You can create configurations to keep track of the changes.

UIM includes a related entity type, called Location, that you use specifically to represent locations related to connectivity. See "[Property Locations](#)" for more information.

Note:

Location entities and Location-type Place entities are not equivalent. They are used for different purposes and have different capabilities.

Geographic Coordinates

You can add geocodes to Place entities to identify their placement and to enable geographic visualizations of your network or business. See *UIM System Administrator's Guide* and *UIM Developer's Guide* for more information about setting up geocoding.

You can use one of two coordinate systems:

- The universal geographic coordinate system based on latitude and longitude. You must use decimal degrees to enter latitude and longitude. For example, a Dallas location can be expressed in decimal degrees of 32.93499 and -97.00791.
- The North American V & H (vertical and horizontal) coordinate system. Telecommunication companies use the V & H coordinate system to calculate distances between locations for the purposes of tariffs, call rating, and revenue sharing. For example, a Dallas location can be expressed as 8398, 4037.

Both coordinate systems are available for a place, but you can enter only one or the other in UIM. When you enter the coordinates for one type of coordinate system, the other coordinate system is disabled for that specific place entity.

Understanding Location-Type Place Entities

You use the Location type for places that can be specifically defined by geographic references. Locations can be very specific places, such as a residence, or more general places, such as a city.

Location Hierarchy

To view your network components graphically and drill down the view from a high level to a lower level, you need to create a location hierarchy.

For example, you can set up a structure as address, city, state, and country. For example, the street address of 7460 Warren Parkway could exist in the city of Frisco within the state of Texas within the country of United States. When viewing networks graphically, you can choose to view networks at the country level, drill down to view the state level, and then drill down to the city level.

Setting Up Locations in Design Studio

In Oracle Communications Design Studio, you define a Place specification for each type of place. For example, create a Place specification for address, another for city, another for state, and one for country. Choose the entity type of Location for each of them. In UIM, you can create a location hierarchy.

Creating Place Entities and Hierarchies in UIM

First create your place based on the appropriate location specification. For example, to create the country **Ireland**, use the Country specification defined in Design Studio. See the UIM Help for the steps to create locations. Additionally, you can add your geographic information when creating locations.

In UIM, you create the hierarchies in the Place Hierarchy section of the Place Summary page. For example, if you create several cities, you open the state in which the cities reside and assign the cities to the state.

See the UIM Help for the steps to create a place and associate it to the correct hierarchy.

In UIM, you can also assign roles to places. For example, you can assign the role of Headquarters to a site. You assign roles to place entities in the Roles section of the Place Summary page. Role specifications must be defined in Design Studio to enable their use with Place entities. See "[About Roles](#)" for additional information.

Understanding Address-Type Place Entities

An address is a textual way to describe a location or site. Address types are managed separately from Locations or Site types because a location or site can have more than one address. For example:

- A campus of many buildings has many addresses
- A building with entrances on more than one street can have more than one address

An address can define a standard address format to meet your business requirements and national postal standards. For example, in North America, you could define an address to include the following information:

- Street address
- City name
- State
- Country
- Postal code

These individual pieces of information are called address components. You define them as characteristics and add them to a Place specification with the entity type of Address.

Configuring Address Selections

When you define Address specifications, you can use features that constrain the selections that users see in UIM.

For example, you can constrain that the list of countries available for selection in UIM to only those countries for which entities exist. For example, if only US, UK, and Canada entities exist in the UIM database, only those countries are available for selection. You use the entity link feature in Design Studio to configure an Address specification for this behavior. See the Design Studio Help for more information.

You can also design specifications so that selections are constrained by location hierarchies. For example, when a user selects **Texas** in the **State** field, their choices in the **City** field are limited to cities in that state.

Understanding Address Ranges

You use Address Range to define collections of addresses such as those used in MSAG (Master Street Address Guide) implementations. You define the range by adding address component characteristics to the Address Range specification. You also associate the Address Range specification to the Address specification for which it defines a range.

You can associate an address range to resources or services that serve a range of addresses. Through the use of rulesets, you can use address ranges to validate that new

addresses are within a range. See *UIM Developer's Guide* for more information about rulesets.

Understanding Site-Type Place Entities

A site is a loosely defined place such as a campus, cell site, or VPN site. Unlike a location, a site is not necessarily bound to specific geographic coordinates. Because sites are only loosely defined, they can evolve over time. For example, you might need to plan a VPN without knowing the specific locations of the VPN sites. You can create place configurations to keep track of the changes.

If a site includes multiple specific locations, you can include them in a place hierarchy for the site. For example, if you create a site entity for a campus, you can create locations for its individual buildings and include them in the site's place hierarchy.

Place Configurations

Place configurations provide a versioning capability that enables you to describe how a site is realized and what resources are assigned to a site's configuration items over time. See "[Configurations](#)" for general configuration information.

To track the changes to sites, you define Place Configuration specifications. You can use the **Specifications Options** tab to associate entity specifications. This relationship constrains the types of entities that can be assigned or referenced by the site.

Associating Places with Other Entities

Some entities are place-enabled, meaning you can associate places to those entities. For example, you can associate a location to a piece of equipment. In UIM, you make these associations in the Places section of the Summary page of the entity. In addition, you can specify the role played by the place in its involvement with the entity. See "[Involvements](#)" for more information about involvements.

The following types of entities are place-enabled:

- Custom network address
- Custom object
- Device interface
- Equipment
- Inventory group
- Logical device
- Logical device account
- Network
- Network node
- Party
- Physical device
- Pipe
- Pipe termination point

- Service

Property Locations

Property Location entities define where resources are located and where connectivity is terminated.

Note:

Property Location entities are similar to but not equivalent to Place entities. The two entities have different capabilities. Currently, Property Location entities are used only with connectivity. Place entities are used in all other contexts.

A Property Location entity represents a piece of land with defined legal boundaries. It is the lowest-level element in the hierarchy that identifies a location (country, state/province, city, street address).

When you create a property location, you define it as one or both of the following types:

- **Network location.** A network location is one that hosts devices involved in connectivity. Defining a property location as a network location requires the assignment of a network location code. See "[About Network Locations](#)" for more information.
- **Service location.** A service location is one where a service originates or is delivered. See "[About Service Locations](#)" for more information.

Property Location entities are different than most other entities because they are all based on a single specification. You can supplement the default data elements of Property Location entities by using entity-level characteristics.

A Property Location specification is included in the ora_uim_basetechnologies base cartridge for this purpose. Entity-level characteristics apply to all Property Location entities in UIM. See *UIM Cartridge Guide* for information about ora_uim_basetechnologies and the Design Studio Help for information about entity-level characteristics.

You can also modify the behavior of Property Locations by using global rulesets. See *UIM Developer's Guide* for more information about using rulesets.

About Property Addresses

A property address provides a textual way of describing how to find a property. Property addresses are separate entities, but they exist only as part of a property location. They are created automatically when you create property locations. Property addresses can be related only to property locations.

When you create a property location, a primary property address is required. The address fields (**Street Address**, **Apt/Room/Suite**, **City**, **Sub Area**, **State**, **Postal Code**, and **Country**) are combined to form the default name value for the property location.

You can override the default value and can choose to set the property name to the value of the network location code. For service locations, however, the property name must be unique. If you change the default property name of a service location to a non-unique value, UIM displays an error.

Country and state values are defined as standard ISO abbreviations in the **country.properties** configuration file. You can define a default country value by editing the **system-config.properties** file. See *UIM System Administrator's Guide* for more information about configuration files.

You can validate property addresses using a geocoding system, such as Oracle eLocation. When you validate an address, UIM sets the property address to the value returned by the geocoding system. See "[About Validating Addresses](#)" for more information.

About Validating Addresses

When you create a Property Location and enter its address, you can choose to validate the address. Validating addresses ensures accuracy and limits duplication caused by similar addresses.

When you validate an address, UIM sends the address data to a geocoding system, such as Oracle eLocation. (You can configure UIM to use a different geocoding system. See *UIM System Administrator's Guide* for more information.)

The geocoding system returns one or more possible address from which you can select. You can accept one of the suggested addresses; accept the existing, non-validated address; or choose to neither validate nor accept the address.

- If you select one of the possible addresses, the data from the geocoding system replaces the values in the address fields. In addition, the latitude and longitude are updated (unless you have locked the coordinate values). UIM marks the address as validated and displays a green check mark in the address area.
- If you accept the existing address, the **Accept As-Is** check box is selected, indicating that the address does not require validation or correction.
- If you cancel the validation, the address remains unvalidated and unchanged.

UIM ignores the **Apt/Room/Suite** field in the address during validation and does not change it if you select one of the addresses returned by the geocoder.

About Geographic Coordinates in Property Locations

You can enter geographic coordinates for property locations. Geographic coordinates in Property Location entities are similar to geographic coordinates in Place entities. (See "[Geographic Coordinates](#)" for more information about how coordinates are used in Place entities.) There are two important differences, however:

- In property locations, when you enter a latitude and longitude position or a V & H location, UIM automatically converts it to the other system and populates the corresponding fields. As a result, geographic coordinates are always displayed in both systems.
- When you accept a validated address from a GIS system, the geographic coordinates are populated (or replaced) automatically unless you have locked the geographic coordinate fields. See the UIM Help for information about locking coordinates.

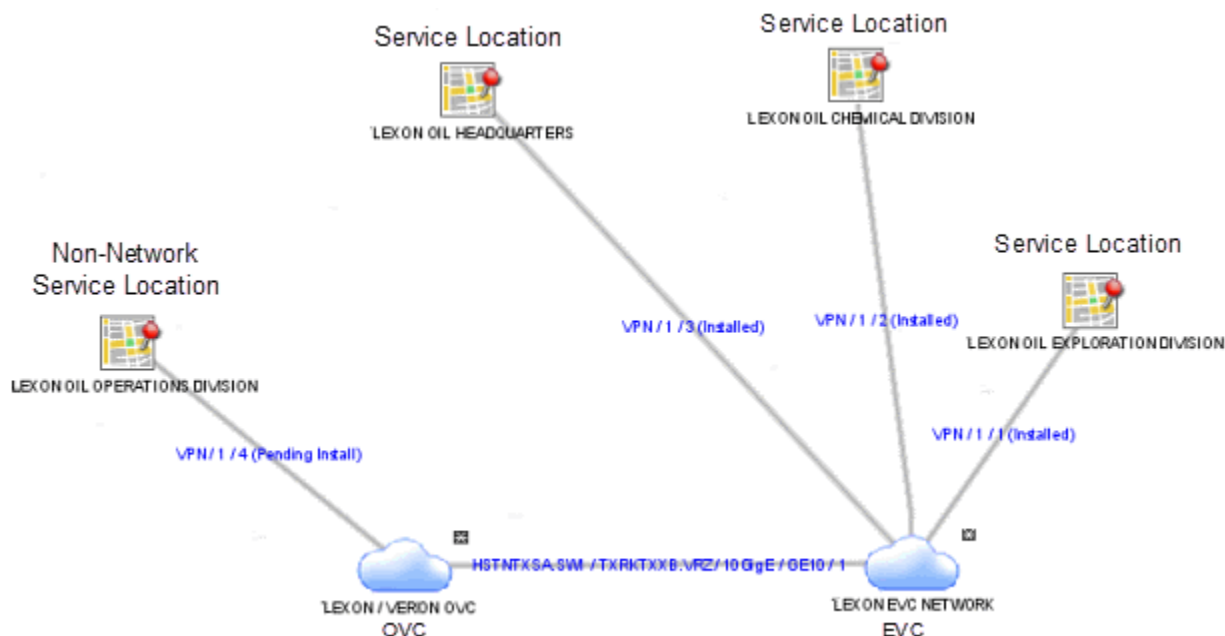
About Service Locations

You can define a property location as a service location. A service location represents the place where a service originates or where the service is delivered. (Service locations are sometimes called customer sites or end-user locations.)

For example, Carrier Ethernet service is delivered to one or more service locations by a service provider. In UIM, you reference service locations as configuration items in the configurations of the services that include them. The collection of service locations in a Carrier Ethernet service constitutes a *service network*. See "[About Service Networks](#)" for more information.

Service locations can be outside the boundaries of a service provider's network. For example, [Figure 10-1](#) illustrates a Carrier Ethernet network in which three service locations are inside the service provider network and one service location is outside it. The three service locations inside the provider network are included in an Ethernet Virtual Connection (EVC) and the other service location is an Operator Virtual Connection (OVC) connected to the EVC by a connectivity. (Both EVCs and OVCs are types of private virtual networks (PVNs).)

Figure 10-1 Carrier Ethernet Network with Service Locations



Because service locations can be outside of the service provider network, they do not require network location codes or network entity codes. In cases where service locations are within your provider network, however, you may want to identify a service location as a network location by assigning it a network location code. In this scenario, the Property Location entity is both a service location and a network location.

By default, property names for service locations are a concatenation of the address details, such as 329 BENBOW ST. APT 29 SACRAMENTO CA 95812 US or 200 LOWER HIGH ST, LONDON, GREATER LONDON SE3 1JX, UK. You can override the default value, but the property name must be unique for service locations because it is used as an identifier.

If the property location is defined as both a network location and a service location, the network location code can override the property name.

About Network Locations

You can define a property location as a network location. Network locations are property locations that host a service provider's inventoried network infrastructure. In UIM, network locations host network devices (logical devices associated with that location). When you define a property location as a network location, you must assign it a network location code.

Network location codes are strings of up to 10 alphanumeric characters, with letters in upper case. Network location codes can be CLLI (Common Language Location Identifier) codes, but UIM does not validate against the CLLI standard.

Oracle recommends an expanded version of the CLLI standard for network location codes. This version includes an additional two characters to represent the country, which is not present in CLLI codes. The Oracle-recommended code format is:

MMMMSSCCPP

where:

- *MMMM* represents the municipality in four characters (the same as CLLI and other standards). For example, Plano is PLAN and Cleveland is CLEV. This value must be unique within the state.
- *SS* represents the state in two characters, as in the ISO standards.
- *CC* represents the country in two characters, as in the ISO standards.
- *PP* represents the property in two characters. This is the same as the CLLI building or site value and must be unique within the municipality.

For example, PLANTXUSXA identifies a property location (XA) in Plano, Texas, in the United States.

You can set minimum and maximum values for your system in the **system-config.xml** file. See *UIM Systems Administrator's Guide* for more information. For example, to support CLLI coding, you can specify minimum and maximum values of 8. For the Oracle-recommended format, you could specify minimum and maximum values of 10.

About Network Entities

Network locations can host logical devices that you identify with network entity codes. Logical devices that are hosted at network locations are called network entities. Network entity codes must be unique within each network location, but can be duplicated in the network as a whole. Each network entity code identifies a single logical device and a logical device can have only one network entity code.

Note:

Physical devices cannot be directly associated with network locations. You can make an indirect association by associating a physical device to a logical device at a network location. See "[Associating Physical Devices to Logical Devices](#)" for more information.

Network entity codes can contain information that identifies the type of entity for which they are used. For example, codes used for digital cross-connect systems could begin with the letter K. The entity codes K01 and K02 could be used to identify two digital cross-connect devices at network location MTVWCAUS99. The same codes could be used to identify two different digital cross-connect devices at PLANTXUSXA77.

By default, network entity codes are three characters long. You can set the default minimum and maximum length in the **system-config.xml** file. See *UIM System Administrator's Guide* for more information about setting default values.

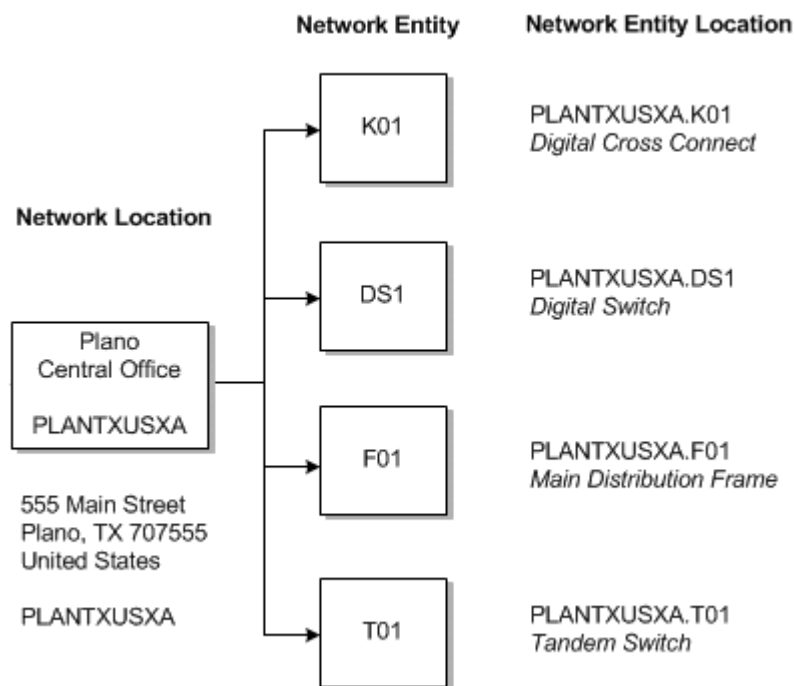


Note:

Network entity codes are optional and are typically not used for devices that do not require activation or management.

Figure 10-2 illustrates the relationship between network locations and network entities.

Figure 10-2 Network Locations and Network Entities



Network entity codes are always displayed with their parent network location codes to form a network entity location code. For example, the network entity locations mentioned previously are displayed as MTVWCAUS99.K01, MTVWCAUS99.K02, and so on. By default, UIM uses a dot as the delimiter between the network location code and the network entity code, but you can suppress the display of the delimiter by changing an entry in the **system-config.xml** file. See *UIM Systems Administrator's Guide* for more information.

You can select a network location or a network entity location in logical device entities to establish the relationship between the device and the location. See "[Associating Logical Devices with Network Locations and Network Entity Locations](#)" for more information.

The endpoints (pipe termination points) of a Connectivity entity can be associated with a network location, such as PLANTXUS or to a network entity location such as PLANTXUS.K01. You can associate a network location or a network entity location to an end point even before the location has been associated to a logical device. See "[About Network Locations](#)" for more information.

If the connectivity end point is associated with a network entity location, the end point can be terminated only on an interface that is part of the logical device at the location. The network entity location code is incorporated into the connectivity identifier of the Connectivity entity. See "[About Termination](#)" for more information.

11

Equipment and Devices

This chapter describes how to define Equipment specifications in Oracle Communications Design Studio and how to use them to model your equipment in Oracle Communications Unified Inventory Management (UIM).

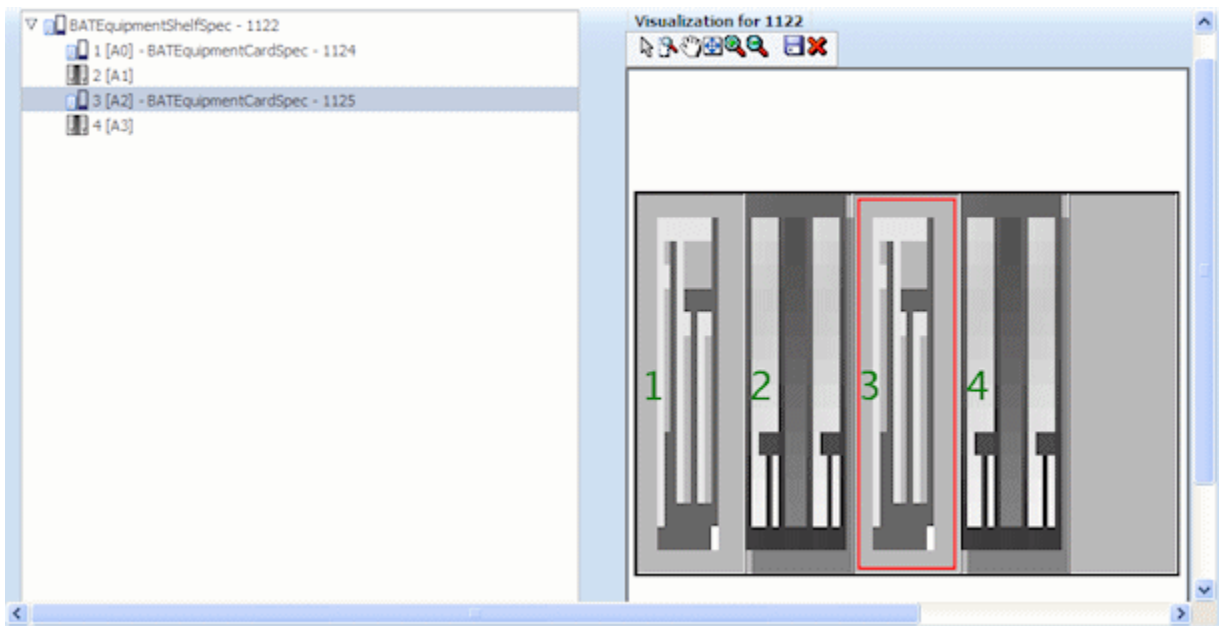
Understanding Equipment Modeling

In UIM, you can represent equipment in several ways. You can inventory all of your physical hardware resources down to the port level for asset-tracking purposes and you can represent your network elements as logical devices for activation purposes.

UIM enables you to capture the physical structure of your equipment visually. In Design Studio, you can create a prepopulated hierarchical view of your equipment that can be used in UIM to quickly create racks of populated equipment, or you can manually build out racks and shelves in UIM.

[Figure 11-1](#) shows a shelf with four slots and two cards in UIM. When a module is selected in the tree view, the module is highlighted in the graphical view.

Figure 11-1 Equipped Shelf in UIM



You can also choose to model your equipment logically. Modeling equipment logically enables you to create addressable network elements that can be managed or used with activation applications.

Figure 11-2 shows the physical and logical representations for a rack of equipment. The physical representation consists of racks, shelves, slots, cards, and ports and can be logically grouped into a physical device.

The logical representation consists of a logical device and logical device interfaces. You can associate a physical device to a logical device and map the physical ports to the logical device interfaces so that you can have addressable network elements while inventorying the physical equipment.

Figure 11-2 Physical and Logical Equipment Representations

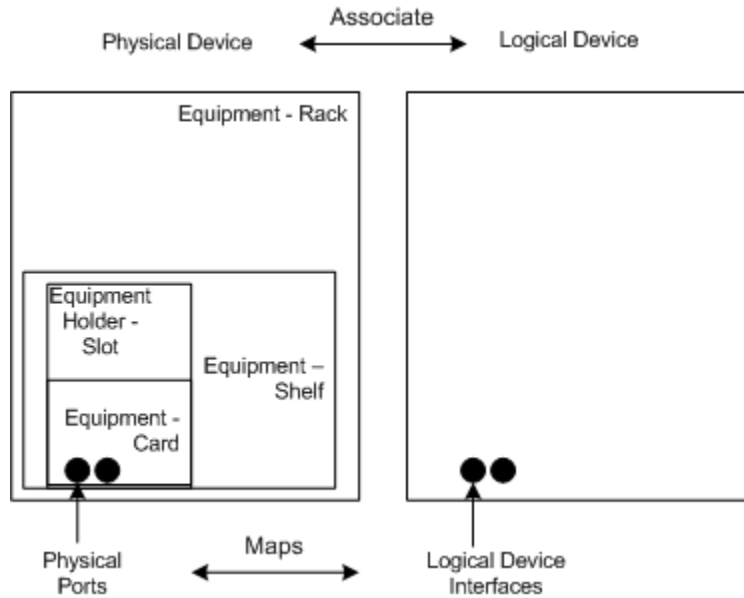


Table 11-1 lists the equipment specifications used in Design Studio. Each of these specifications is described in this chapter.

Table 11-1 Equipment Specification Options

Entity Specifications	Definitions
Logical Device Device Interface Logical Device Account	Groups equipment logically by function and enables you to create addressable network elements.
Physical Device Physical Port Physical Connector	Groups multiple pieces of physical equipment so that ports and connectors can be mapped to device interfaces.
Equipment Equipment Holder Physical Port Physical Connector	Inventories physical equipment, equipment holders, connectors, and ports.

Understanding Logical Devices

A logical device represents a functional view of a set of resources. The logical device itself is not physical, but it can be supported by one or more physical resources that act together logically to perform one or more functions. Logical devices are understood at the network layer. They provide the ability to be discovered and can support service provisioning.

In the telecommunications industry, logical devices are often called network elements, but the terms are not interchangeable. In UIM, a logical device can also be a non-intelligent device that does not qualify as a network element.

Logical devices can be supported by one hardware item like a desktop router or by many pieces of hardware such as:

- Central Office (CO) switches
- Digital Cross-Connect Systems (DCSs)
- Digital Subscriber Line Access Multiplexer (DSLAMs)
- Main Distribution Frames (MDFs)

Logical devices can be associated with logical device accounts. For example, a voice mail server modeled as a logical device can be associated with logical device accounts that represent voice mail accounts. These associations are governed by associations between logical device and logical device account specifications. See "[About Associating Logical Device Accounts with Logical Devices](#)" for more information.

About Logical Device Hierarchies

Logical devices frequently include hierarchies of other logical devices and device interfaces. For example, a logical device entity that represents a router might include child logical device entities that represent virtual routers.

When you define a Logical Device specification, you can include specification relationships that you identify as Parent or Child. These specification relationships govern which logical devices you can add to logical device hierarchies:

- If one or more specification relationships exist between logical device specifications, then only those relationships are valid for entities based on those specifications. No other logical devices can be included in that hierarchy. For example, if Logical Device Specification A has a Parent relationship with Logical Device Specification B, then the hierarchy of entities based on Logical Device Specification A can include only logical devices based on Logical Device Specification B.
- If a logical device does not include any specification relations, its hierarchy can include any logical device that is not itself constrained by specification relationships.

 **Note:**

In previous versions of UIM, specification relationships did not limit which logical devices could be included in a logical device hierarchy.

If you upgrade from a previous version to UIM 7.3 or later, existing specifications that include specification relationships govern hierarchies created after the upgrade. Existing hierarchies will not be affected unless you modify them. If you modify an existing hierarchy after upgrading, the changes are governed by the relationships defined in the affected specifications.

Understanding Device Interfaces and Sub-Interfaces

Logical devices can provide device interfaces. A device interface represents an access point into the device. These device interfaces may be for connectivity, power, timing, or any other means of access into or out of the device.

Some device interfaces correspond to physical ports while others are virtual. The virtual device interfaces are used for transmission (connectivity) purposes and are referred to as sub-interfaces. Device interfaces cannot exist on their own, but they are provided directly or indirectly by logical devices.

A device interface that represents a physical interface or port that can host a physical connection is called a *media interface*. A media interface must be the root interface in its device interface hierarchy.

You associate Device Interface specifications with Logical Device specifications and specify the minimum and maximum number of device interfaces that can be added to a logical device entity created based on a Logical Device specification.

For example, you can define a Logical Device specification that supports a minimum of 64 Local Area Network (LAN) ports. You can create these ports as device interfaces and specify the minimum quantity as 64. When a logical device based on this specification is created in UIM, 64 LAN ports are automatically created.

Similarly, you configure Device Interface specifications to determine which sub-interfaces they can include along with minimum and maximum quantities.

To create a logical device with device interfaces, perform the following high-level tasks:

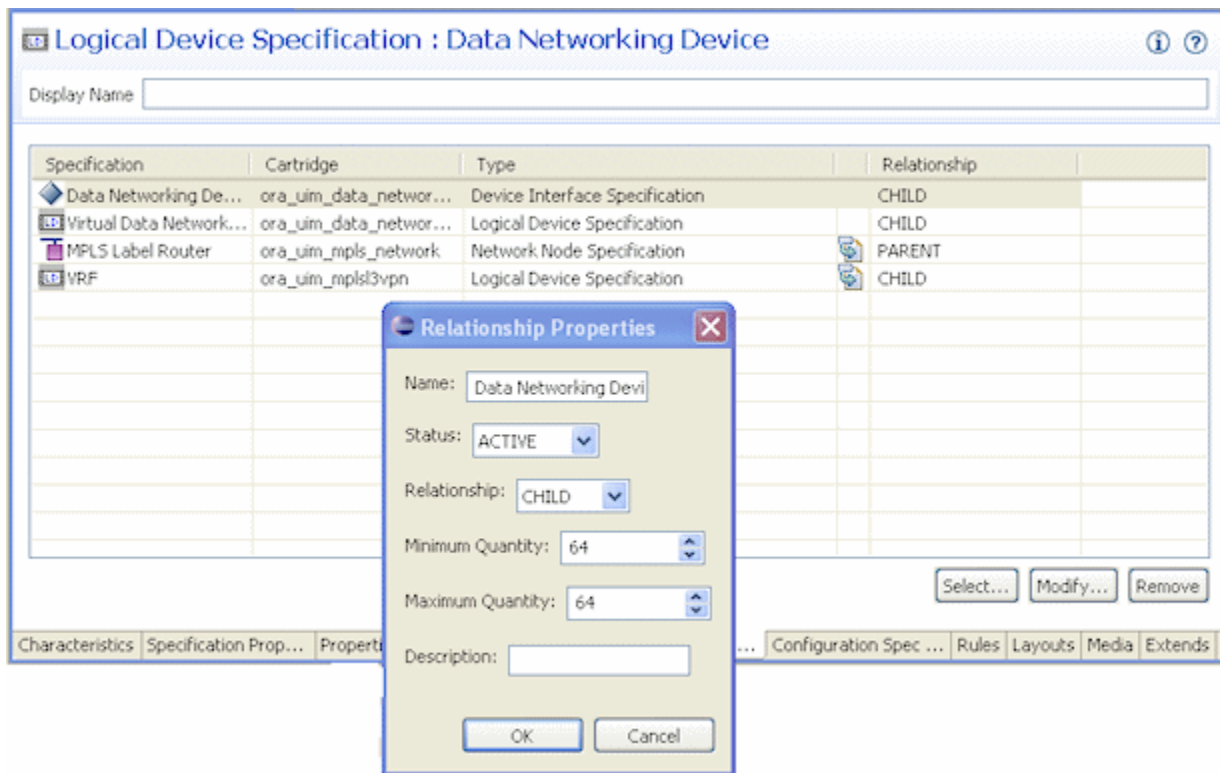
1. Define a Logical Device specification for a device.
2. Define Device Interface specifications for the ports or other connectivity into the device.
3. On the **Related Specifications** tab for the Logical Device specification, relate the Device Interface specification.
4. Modify the properties of the related specification to add a minimum and maximum number of device interfaces to be created in UIM.

If the minimum quantity is not zero, the device interface is required; the minimum number of device interfaces are added automatically when you create a logical device or logical device interface. UIM prevents you from adding more than the specified maximum number of device interfaces, and you cannot remove device interfaces if it violates the minimum number required.

See the Design Studio Help for the steps to define specifications, associate related specifications, and modify relationship properties.

Figure 11-3 shows an example of a Logical Device specification for a Data Networking Device. On the **Related Specifications** tab, a Device Interface specification is selected. The relationship properties are set to a minimum of 64 and a maximum of 64.

Figure 11-3 DSLAM Logical Device Specification in Design Studio



In UIM, when an entity is created based on the Data Networking Device specification, 64 device interfaces will be created based on the associated Device Interface specification. Because the maximum is set to 64, no additional device interfaces can be added to the logical device.

Associating Rate Codes to Device Interfaces

You can associate rate codes to device interfaces to define their bit rate and technology. The rate code associated to a device interface determines which connectivities can be terminated on the interface. See "[About Termination](#)" for more information. (Device interfaces with rate codes can also terminate Pipe entities. See "[Configuring and Implementing Pipe Termination](#)" for more information.)

For example, an OC1 rate code designates a 51.840 Mb/s SONET signal, while a DS3 rate code identifies a 44.736 Mb/s T-Carrier signal. See "[About Rate Codes](#)" for more information. Device interfaces with those rate codes can terminate only channelized connectivities with matching rate codes.

You associate rate codes with device interface specifications in Design Studio. When you create a device interface based on a specification with a rate code association, the rate code is automatically related to the interface.

The `ora_uim_basetechnologies` cartridge includes definitions of the supported rate codes. You must define this cartridge as a dependent cartridge for a project in Design Studio before you associate rate codes to device interface specifications. If you do not define the cartridge dependency, rate codes will not be available for selection when you define Device Interface specifications in Design Studio.

See *UIM Cartridge Guide* for more information about the base cartridge and see the Design Studio Help for more information about associating rate codes to device interface specifications.

About Interface-Bound Cross-Connects

Cross-connects are connectivity entities that participate in the continuity of end-to-end trail connectivity by interconnecting device interfaces within a logical device.

There are two kinds of cross-connects: interface-bound and trail-bound. Interface-bound cross-connects are bound to the life of the interfaces it connects and are created as part of their parent logical devices. See "[About Interconnections](#)" for more information.

For example, an interface-bound cross-connect could represent a D4 channel bank's multiplexing function, consisting of fixed internal connectivity from the 24 DS0 drop-side interfaces to the 24 DS0 line-side sub-interfaces provided by a high-speed DS1 line interface. (Line-side and drop-side refer to the high-speed and low-speed sides of a device.)

You create interface-bound cross-connects for device interfaces by selecting pairs of device interfaces in a logical device hierarchy. The device interfaces must have the same rate code. See the UIM Help for more information.

Cloning and Duplicating Logical Devices

You can clone and duplicate logical devices:

- Duplicating the logical device copies only the entity itself. The duplicated entity is the same as the original except for the entity identifier.
- Cloning the device copies the entity and (by default) all of its child logical devices, associated physical devices, and associated Equipment entities. By default, a cloned logical device is an exact copy of the original, aside from the entity identifier. You can customize the content of the clone.

By default, the following associations and mappings are copied when you clone a logical device:

- Device interface hierarchy
- Mapped physical devices
- Equipment associations with physical devices
- Mappings between device interfaces provided by the logical device and ports and connectors provided by physical devices and equipment
- Cross-connects between device interfaces

You can customize the clone in the following ways:

- Specifying names of logical device, physical device, and equipment created as part of the cloning operation
- Assigning the cloned device to a different property location
- Excluding specific items in the logical device hierarchy
- Excluding specific physical device mappings and equipment associations

You can begin a logical device cloning operation from physical device search results. In this situation, the logical device associated to the physical device is cloned. If you want to copy only the physical device, you can use the existing Duplicate feature. Equipment entities associated to the physical device are not copied in this scenario, however.

See the UIM Help for more information about duplicating and cloning logical devices.

About Flow Interfaces

A flow interface is a point in a network through which traffic flows. You use flow interfaces to partition media interfaces (device interfaces at the top of their hierarchies) into virtual channels based on bit rate. Flow interfaces are similar to sub-device interfaces, but can have configurations that capture their attributes.

You use flow interfaces to terminate packet connectivity. They specify the termination type of the connectivities terminated on their parent device interfaces. There are four termination types defined by flow interface specifications:

- Access. Indicates that the purpose of an interface is to terminate connectivity that provides access to a service provider network, such as Ethernet UNI connectivity.
- Internetwork. Indicates that the purpose of an interface is to terminate connectivity that interconnects two service provider networks, such as Ethernet I-NNI connectivity.
- Trunk. Indicates that the purpose of an interface is to terminate connectivity that connects equipment and devices in the same network.
- Unknown. Indicates that the purpose of the interface is unknown.

Flow interface configurations can include references to flow identifiers (such as VLAN IDs) that trace the path of services through the device interfaces and connectivities in multipoint and point-to-point service arrangements. See "[About Flow Identifiers](#)" for more information. They can also include references to performance parameters such as bandwidth profiles and class of service. These performance parameters are modeled in UIM with Custom Object entities. See "[Performance Parameters](#)" for more information.

A flow interface configuration is created automatically when you create a flow interface. As with other entities and entity configurations, you specify the flow interface configuration specification in the flow interface specification. Unlike other entities, however, flow interface specifications can be associated with only one configuration specification.

You cannot create flow interfaces directly from the logical device or device interface hierarchy in a Summary page. Rather, you create them in the packet virtual networks that include them. See UIM Help for more information about creating flow interfaces.

Logical Device Configurations

A logical device configuration contains information about how the device is realized in terms of resources that are assigned to it. Logical device configuration items can assign or reference resources such as:

- Custom network addresses
- Custom objects
- Device interfaces

Typically, logical device configurations consume device interfaces that are on a different logical device. Logical devices can consume a network address that can change over time. For example, this could be a route distinguisher address type.

See "[Configurations](#)" for more information about configuration specifications.

Understanding Logical Device Accounts

Logical device accounts are a special type of network address that are hosted or managed by a logical device. You can associate logical device accounts to logical devices. For example, email account IDs are considered unique to an email domain, typically managed by a logical domain device. For a mobile wireless service, you can create a logical device account for a subscriber on the Home Location Register (HLR) and Voice Messaging System (VMS). Accounts for accessing content on online music or IPTV servers could also be modeled this way. For a service provider, a logical device account could be a management account, such as a login name for configuring a logical device.

Other examples of logical device accounts include:

- Instant messaging (IM) accounts
- RADIUS AAA accounts
- Voice mail (VM) accounts
- Element management accounts

You use Logical Device Account specifications to define these accounts in your inventory. The information captured in a Logical Device Account specification depends on the account that you are modeling. For example, you might need to add characteristics for subscriber information such as a login name, mailbox, or accounting record.

About Logical Device Account Configurations

Logical Device Account entities can have configurations. You can use logical device account configurations to maintain a history of subscriber details. For example, subscriber details for a GSM customer can be stored in a logical device account related to a Home Subscriber Server (HSS). As the subscriber details evolve over time, you can use configurations to maintain a history for auditing and validation.

Only telephone numbers and custom network addresses can be assigned to configuration items in Logical Device Account configurations. You can include references to all reference-enabled entities, however.

See "[Configurations](#)" for more information about how you use configurations.

About Associating Logical Device Accounts with Logical Devices

You can create associations between logical devices and logical device accounts. For example, you can create an association between a voice mail account (a logical device account) and a voice mail server (a logical device).

When you define Logical Device specifications, you can include Parent specification relationships to Logical Device Account specifications. Similarly, when you define Logical Device Account specifications, you can include Child specification relationships to Logical Device specifications. See Design Studio Help for more information about creating specification relationships.

In UIM, these specification relationships govern which logical devices and logical device accounts you can associate with each other.

- If one or more specification relationships exist between logical device and logical device account specifications, then only associations based on those relationships are valid. For example, if Logical Device Specification Y has a Parent relationship with Logical Device Account Specification Z, then you can make associations only between entities that are based on these specifications. You cannot make associations between the logical devices based on Logical Device Specification Y and logical device accounts based on any specification other than Logical Device Account Specification Z.
- If a Logical Device or Logical Device Account specification has no specification relationships, you can create associations freely.

Note:

In releases previous to UIM 7.3, specification relationships did not limit which logical devices and logical device accounts could be associated with each other.

If you upgrade from a previous version to UIM 7.3 or later, existing specifications that include specification relationships govern associations created after the upgrade. Existing associations will not be affected unless you modify them.

Understanding Physical Resources

Your inventory is likely to include physical hardware items such as routers, DSLAMs, interface cards, and so on. To enable you to manage these resources in your inventory, UIM includes several different types of physical resource specifications:

- **Physical Devices:** A physical device is a collection of hardware resources that have a common function in the network. It is the physical equivalent to a logical device. This is required to map physical equipment to logical devices.
- **Equipment:** Equipment refers to physical units of equipment such as racks, shelves, circuit cards, field-replaceable units (FRUs), or handheld phones.
- **Equipment Holders:** Equipment holders are slots or mounting positions that contain cards.
- **Physical Ports:** Physical ports are the places where communication begins or ends on a physical device or equipment.

- **Physical Connectors:** Physical connectors connect hardware units for signal or power transmission.

You configure these specifications and the entities based on them to reflect the physical resource composition of your inventory.

Configuring Equipment Specifications

Equipment specifications represent physical items of hardware such as racks, shelves, and cards. Shelves can provide slots (modeled with the Equipment Holder specification) that hold cards or modules. Equipment specifications can also model self-contained, independent devices such as routers or desktop modules.

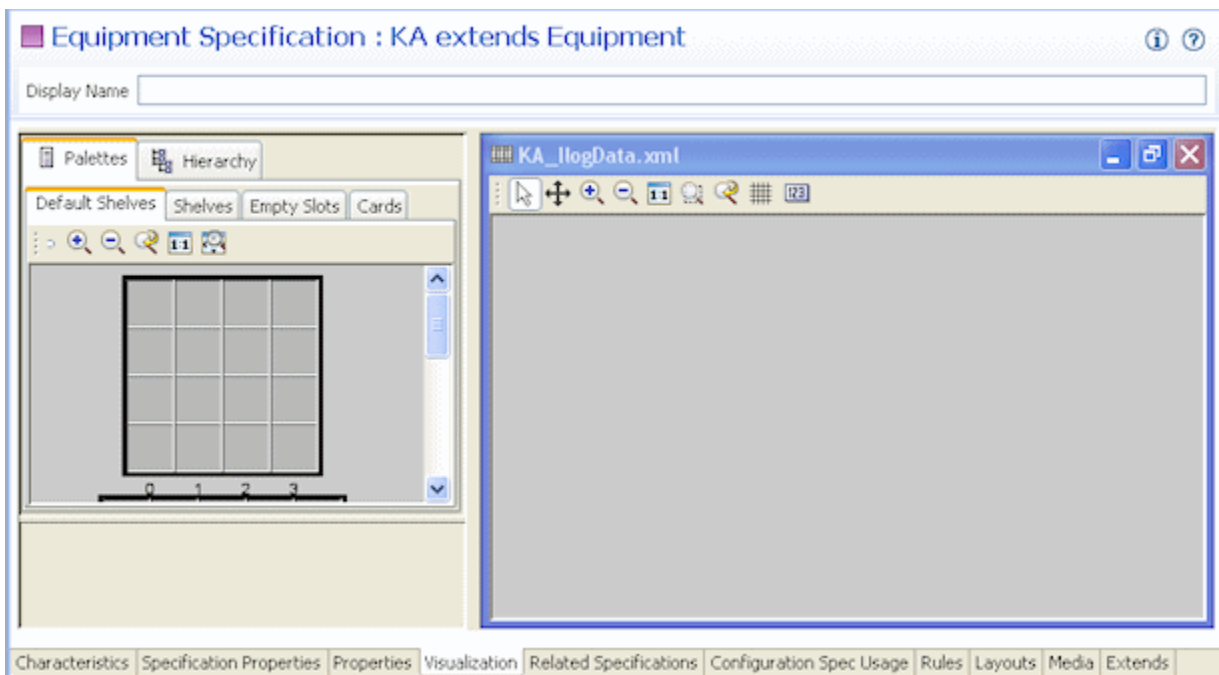
You can model your equipment visually in Design Studio so that it is automatically built out in UIM or you can define the individual Equipment specifications and manually build out your equipment in UIM. This section describes how to build out your equipment specifications in Design Studio so that equipment is automatically built in UIM.

Understanding the Visualization Tab

The equipment category you choose for the equipment specification determines what appears in the **Visualization** tab. You can select **card**, **shelf**, **rack**, or leave the equipment category blank.

Figure 11-4 shows the **Visualization** tab for a shelf specification.

Figure 11-4 Visualization Tab



The **Visualization** tab includes several areas that you work in:

- The **Palettes** tab contains templates that you use to define the basic structure of the equipment. You drag items from the **Palettes** tab to the canvas. The **Palettes** tab contains subtabs that are based on whether the Equipment specification is defined as a card, a rack, or a shelf.
- The canvas is the area where you configure the equipment by dragging items from the **Palettes** tab.
- The **Hierarchy** tab displays the equipment configuration in tree-view form. It reflects the content of the canvas and is updated when you add new items. When you select an item in the canvas, the corresponding item in the tree view is highlighted. When you select an item in the tree view, the corresponding item in the canvas is highlighted.

Typically the easiest way to build your equipment is to start at the equipment holder and work your way up to cards, shelves, and racks. Model your equipment holders first, then your cards. Create shelves using the existing cards and finally add racks using existing shelves of equipment holders and cards.

You can choose to model the ports and connectors at any time because they are not done through visualization tabs. See "[Adding Ports and Connectors](#)" for more information.

Configuring Equipment Holder Specifications

An Equipment Holder specification defines a slot into which cards can be installed. The holder itself does no processing. Equipment holders are provided by equipment and can contain other equipment. For example, a shelf provides an equipment holder. A LAN card can be installed into the equipment holder.

You can limit the cards that slot can contain by creating a parent-to-child relationship between its Equipment Holder specification and one or more Card specifications. In UIM, slots based on the Equipment Holder specification can contain only cards with which it has a child relationship.



Note:

In some cases, an Equipment Holder specification can be a child of a Card specification rather than the reverse. In this situation, UIM does not limit the cards that slots based on the Equipment Holder specification can contain.

Configuring Card Specifications

When you configure a card specification, you assign a template that determines the card's orientation. You can choose a vertical or horizontal orientation. You also determine how many holders the card requires. This number determines how many contiguous slots are required when you add the card to a shelf.



Note:

You must configure a card specification in the **Visualization** tab before it can be added to shelves.

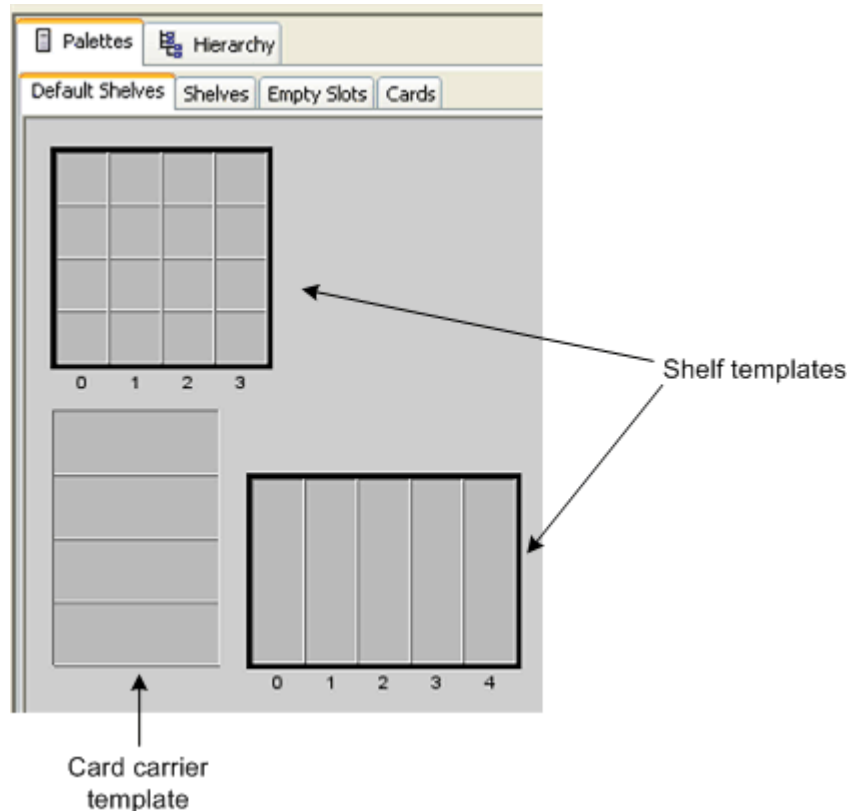
Configuring a Shelf Specification

When you configure a shelf specification, you define the shelf arrangement by choosing a template or by using an existing shelf. You then add card specifications or empty slot specifications to the shelf.

There are two default templates: shelf and card carrier. The shelf template creates a shelf. You can change the number of rows and columns. The card carrier template can be placed on a shelf template to visually change the layout of the shelf when cards need to be grouped in ways that cannot be changed by changing the rows and columns.

Figure 11-5 shows the two shelf templates and the card carrier template.

Figure 11-5 Shelf Templates



When you have completed the shelf and card carrier visualization, you can add card specifications and Equipment Holder specifications. When you add a card specification to the shelf, you specify the slot it will occupy and the Equipment Holder specification. If the card specification requires more than one holder, the shelf must have enough contiguous slots beginning with the selected slot.

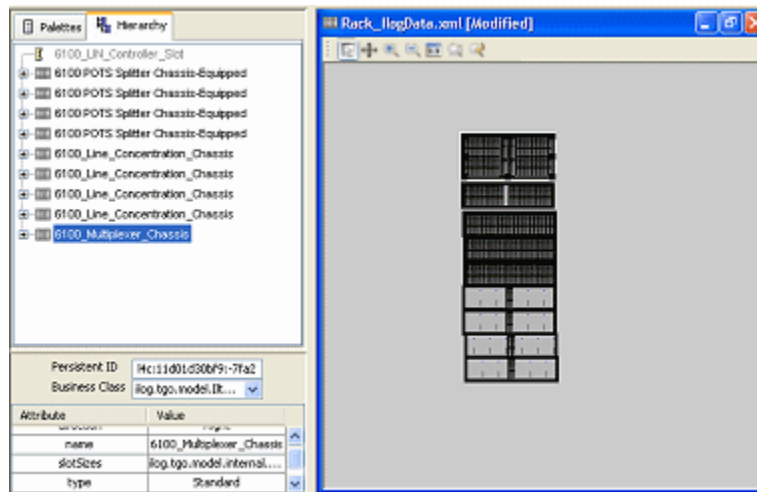
In UIM, when you create a new shelf entity, it is prepopulated with the cards defined in its specification. You can see the equipment in the Equipment visualization. See the UIM Help for more information about the Equipment visualization.

Configuring a Rack Specification

A rack includes one or more shelves. You can include any of the shelves that have already been defined in the workspace.

Figure 11-6 shows an Equipment specification for a rack. The **Palettes** tab lists all available Equipment specifications for shelves, and the **Hierarchy** tab shows the racks visualized in the canvas. In this case, various shelves were dragged from the **Palettes** tab to the canvas to create a shelf visualization.

Figure 11-6 Rack in Design Studio



Adding Ports and Connectors

In Design Studio, you can configure an Equipment specification so that entities based on it automatically include physical ports and physical connectors. You must define Physical Port specifications and Physical Connector specifications in Design Studio and then relate them to an Equipment specification on the **Related Specifications** tab. Physical connectors and physical ports cannot exist on their own, but they are provided by equipment or physical devices.

Note:

Ports and connectors are not shown on the visual canvas in Design Studio or UIM.

For example, you can associate a Physical Port specification for a LAN port to an Equipment specification for a LAN interface card. Because equipment typically has a fixed number of ports and connectors, the minimum and maximum quantity would be the same. The minimum quantity of ports or physical connectors is automatically added to the equipment when an equipment entity is created based on the Equipment specification related to Physical Port or Physical Connector specifications.

In UIM, you can add physical connectors and physical ports to equipment and physical devices. You can also remove connectors and ports. You maintain these associations for

equipment using the tree view. You maintain them on physical devices using the Physical Device Summary page.

In the Physical Device Hierarchy section of a Physical Device Summary page, you can see information about the assignment status, conditions, and consumer of a physical port. You can follow a link to go to the Summary page of the consuming entity. For example, if the port is assigned to a configuration item in a Service configuration, the parent service is shown as a link in the tree view. See the UIM Help for more information.

Configuring Physical Port Specifications

A Physical Port specification defines a point of entry for communication. A physical port is where communication begins or ends on a physical device or unit of equipment. Unlike a physical connector, a physical port performs basic processing, such as reading transmission data.

Physical ports are provided by physical devices or equipment such as chassis or cards. For example, a LAN port could be provided by a LAN interface card.

The following are examples of physical ports that can be defined with Physical Port specifications:

- T1/E1 port
- LAN port
- Switch port
- DSLAM port

Configuring Physical Connector Specifications

You use Physical Connector specifications to model hardware that physically links or connects hardware units for the transmission of signals or power. Unlike physical ports, physical connectors have no built-in intelligence; they simply conduct a signal. Examples include:

- RJ-45 network connector
- MDF terminal block connector
- DB-36 connector

Manually Configuring Equipment in UIM

If you do not build out racks or equipment in Design Studio, you can build your equipment out manually in UIM. You can also add multiple equipment entities at a time in UIM by using the **Equipment Range** link. See the UIM Help for more information about adding equipment.

In UIM, you can create new equipment and use the tree view to add child equipment. For example, you can create a new shelf and add cards to the shelf.

Configuring Physical Device Specifications

Physical devices are aggregations of physical resources that can include other physical devices and equipment. For example, a physical device can represent a

DSLAM that includes one or more multiplexers and splitters. Physical devices can be related hierarchically.

In UIM, you can associate a physical device to a corresponding logical device. When that association is complete, you can map the ports and connectors provided by the physical device or by the equipment associated with the physical device to the device interfaces in a logical device.

In Design Studio, you can include Physical Port and Physical Connector specifications in the **Related Specifications** tab of a Physical Device specification. Making these associations means that ports and connectors are included automatically in UIM when physical devices are created. See "[Adding Ports and Connectors](#)" for more information. In most cases, however, physical ports and connectors are configured with equipment and not with physical devices.

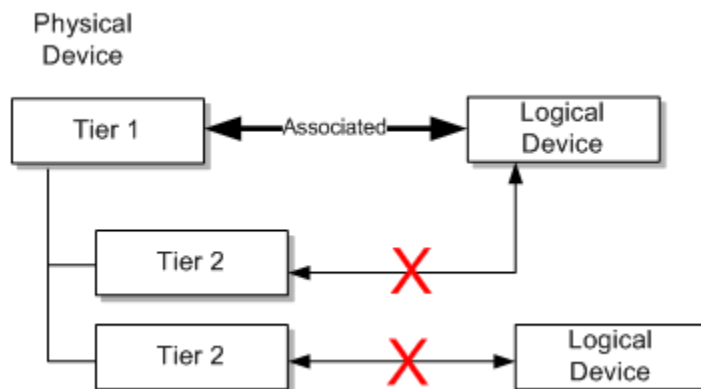
Associating Physical Devices to Logical Devices

A physical device can be associated to one logical device, but a logical device can be associated to one or more physical devices. When a physical device is associated to a logical device, you can map the device interfaces to the physical connectors or ports on the physical device or to the physical ports and connectors of equipment related to the physical device. You can also map the ports and connectors of equipment that is down the hierarchy of the equipment associated to the physical device.

Only top-level device interfaces can be mapped. A device interface can be mapped to multiple ports and connector, but ports and connectors can be mapped to only one device interface. Device sub-interfaces cannot be mapped.

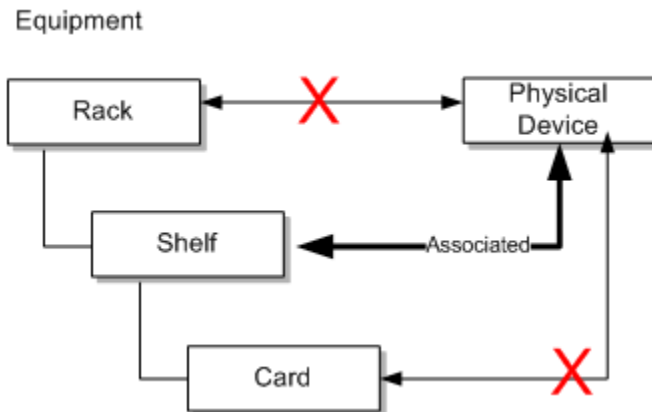
You can associate logical and physical devices at only one tier in the hierarchy. See [Figure 11-7](#) for an example of associations. In this example, a tier 1 physical device is associated to a logical device; therefore, the tier 2 physical devices are not available for association to logical devices.

Figure 11-7 Physical Device Associations



You can associate equipment within a physical device at only one tier within the hierarchy. See [Figure 11-8](#) for an example. In this example, a shelf (tier 2) in a rack is associated with a physical device; therefore, associations cannot be made at the rack (tier 1) or card (tier 3) level.

Figure 11-8 Equipment Associations



You can map device interfaces to ports or connectors provided by equipment or physical devices either automatically or manually. See the UIM Help for information about mapping device interfaces to ports and connectors.

Associating Devices and Equipment with Network Locations

You can define the locations of logical devices, physical devices, and Equipment entities by associating them with network locations. A network location is a Property Location entity that has been assigned a network location code. See "[Property Locations](#)" for more information.

Network locations are used in modeling channelized connectivity only. The network location associated to a logical device, physical device, or Equipment entity identifies the property location where the entity is physically located.

Note:

Property Location entities are similar to but not the same as Place entities. You can associate a logical device to Place entities to define other kinds of location-oriented relationships, such as the place where the device is managed.

You can associate the network locations directly to the entities. The associations can also be made automatically as the result of propagation downward through hierarchies. See "[Understanding Network Location Code Propagation](#)" for more information.

Associating Logical Devices with Network Locations and Network Entity Locations

A logical device that is located at a property location is known as a network device and it can terminate channelized connectivity. See "[About Termination](#)" for more information.

Unlike physical devices or Equipment entities, you can associate logical devices with network locations or network entity codes. Network entity codes are used to identify devices that can enable services at a network location. A network location can be associated with more than one logical device, but a network entity code can be associated with only a single logical device.

Typically, network entity codes are applied to logical devices that are managed by a network management system (NMS) and that require some configuration to enable services.

A network entity code is always displayed in combination with the network location code of its related network location and is referred to as a network entity location. See "[About Network Locations](#)" for more information.

When network entity codes have been defined for a network location, you see them in the list you use to associate a network location to a logical device. For example, if network location PLANTXUSXA includes a single network entity code (K01) and network location PLANTXUSXB includes two network entity codes (K01 and K02), you see the following choices when you select a network location for a logical device.

```
PLANTXUSXA
PLANTXUSXA.K01
PLANTXUSXB
PLANTXUSXB.K01
PLANTXUSXB.K02
```

The list excludes network entity location codes that have already been associated to logical devices.

 **Note:**

Network entity codes are optional and are typically not used for devices that do not require activation or management.

When you select a network location, UIM sets a default device identifier that depends on the network location you select:

- If you select a network entity location code, such as PLANTXUSXB.K01, the device identifier is set to that value.
- If you select only a network location code, such as PLANTXUSXB, the device identifier is set to the network location followed by a sequential number in parentheses. This pattern enables all devices located at the network location without a network entity code to default to a unique device identifier. For example, the first default device identifier for PLANTXUSXB is PLANTXUSXB (1).

In either case, you can change the device identifier supplied by UIM with one that corresponds to your business practices. The identifier must be unique across all logical devices.

See the UIM Help for more information about selecting network locations and setting device identifiers.

Associating Equipment and Physical Device Entities with Network Locations

You can define the location of an Equipment entity or physical device by associating it with a network location (a Property Location entity that has been assigned a network location code). There are three ways in which these entities can be associated with network locations:

- By associating a Physical Device or Equipment entity with a logical device that has a network or network entity code or with a logical device in the hierarchy of a parent logical device with such a code.
- By specifying a network location code when you create the entity. A Network Location field now appears in the Create page for Equipment and Physical Device entities.
- By editing a Equipment or Physical Device entity to include a network code. A Network Location field appears in the Information page that you see when you edit entities of these types.

Understanding Network Location Code Propagation

Network location codes are propagated downward through physical device and equipment hierarchies. The highest-level entity that has a network location code is the location parent for the hierarchy.



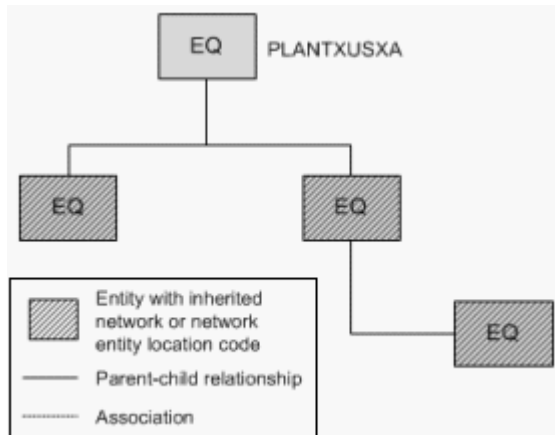
Note:

Equipment and Physical Device entities cannot be assigned network entity codes. Network entity codes are valid only for logical devices.

Because equipment hierarchies can include only other Equipment entities, the propagation of network location codes is straightforward. All Equipment entities below the location parent are assigned the network location code assigned to the parent. You cannot change these codes for the child entities unless you also change the code for the parent.

[Figure 11-9](#) illustrates a small Equipment hierarchy. All the entities have the network code PLANTXUSXA.

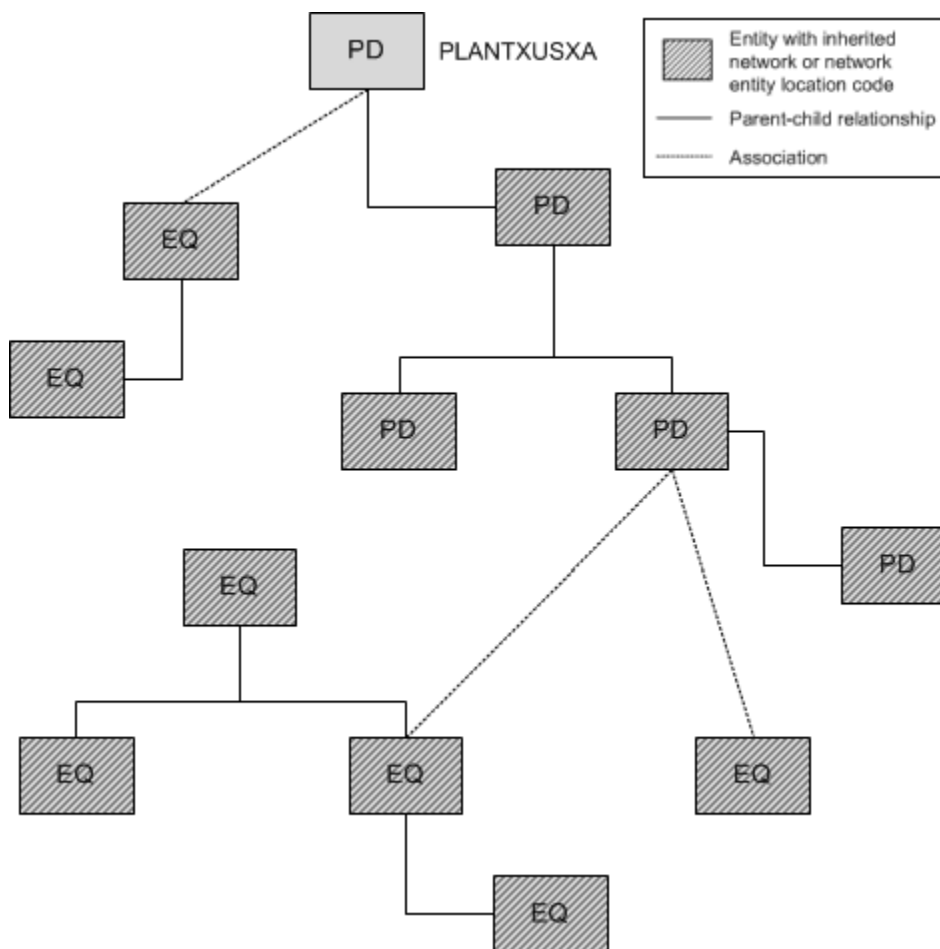
Figure 11-9 Network Location Code for Equipment Hierarchy



Physical device hierarchies can include other physical devices. In addition, physical devices can be associated with Equipment entities. In this kind of hierarchy, all physical devices in the hierarchy and all Equipment entities associated with physical devices in the hierarchy are automatically assigned the network location code of the parent physical device. You cannot change the automatically assigned network location codes.

[Figure 11-10](#) illustrates a physical device hierarchy in which physical devices are associated with Equipment entities. All of the entities in this hierarchy are assigned the PLANTXUSXA network code of the parent physical device.

Figure 11-10 Network Location Code Physical Device Hierarchy

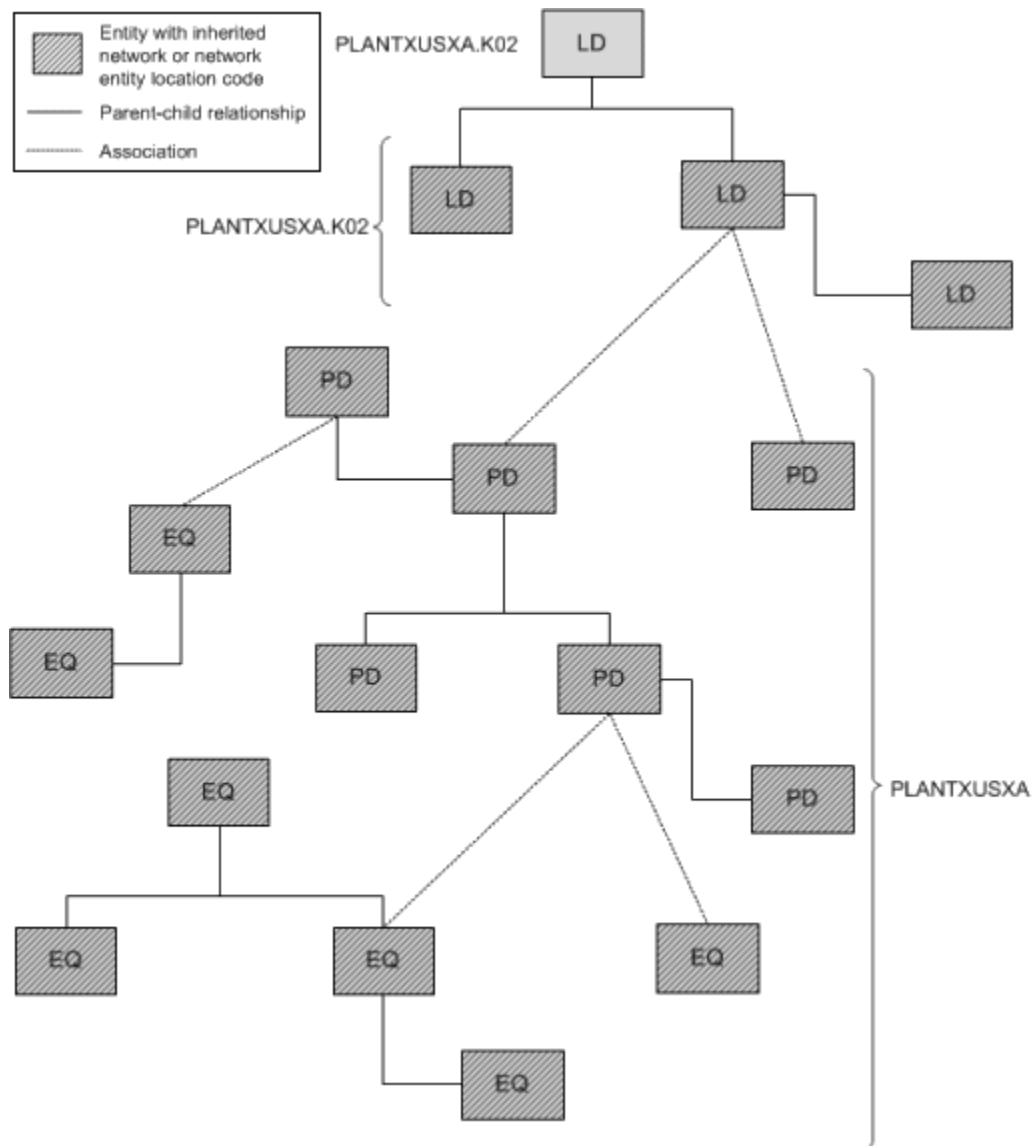


Logical device hierarchies can be complex because logical devices can be associated with physical devices, which in turn can be associated with Equipment entities. In addition, logical devices can have network location codes or network entity location codes.

In a logical device hierarchy, child logical devices inherit the network location code or network entity location code of the parent logical device. Physical devices and Equipment entities inherit only the network location code.

In the hierarchy shown in [Figure 11-11](#), the logical devices have inherited the parent logical device's network entity location code (PLANTXUSXA.K02). Physical devices associated with logical devices in the hierarchy inherit only the network location code (PLANTXUSXA). You cannot change any of the automatically assigned network location or network entity location codes.

Figure 11-11 Network and Network Entity Location Codes for Logical Device Hierarchy



Network location associations to Equipment and Physical Device entities cannot be made if the association currently or potentially conflicts with a network location association. The conflict does not necessarily have to be direct: it can result from associations related to hierarchies in which the entity participates.

For example, you cannot directly assign a network location code to an Equipment entity that is associated to a physical device that has inherited a network location from a parent physical device. In this situation, the Equipment entity already has a network location code that it inherits from the associated physical device.

Similarly, you cannot remove or change an inherited network location or network entity location code without either removing the entity in question from its hierarchy or association. Alternatively, you can change or remove the network location or network entity location code from the location parent entity. Removing or changing that code removes or changes it in all entities that have inherited it.

12

Networks

This chapter describes how networks are modeled and implemented in Oracle Communications Unified Inventory Management (UIM). It describes the entities you use to model networks and how you build a network in UIM by using the network visualization.

See the UIM and Design Studio Help for detailed instructions about working with the specifications and entities discussed in this chapter.

Understanding Networks

In UIM, a network is a collection of entities that has a common meaning or purpose. You use a Network entity to represent the entity as a whole.

You associate other entities to the Network entity to define the contents of the network. Entities in a network can be physical or logical resources (such as equipment or logical devices) or they can be non-resources (such as parties or places). A network can also include other networks.

Network entities can have configurations. Some network types are always created with configurations. See "[About Packet Virtual Networks](#)" and "[About Service Networks](#)" for information about networks that require configurations.

You do many of the tasks related to networks in the UIM network visualization. For example, you add network nodes and edges in the visualization.

- Network nodes represent specific points in the network that you can associate with other entities such as places, property locations, equipment, and so on.
- Network edges represent reachability or connectivity between nodes in the network. You can associate network edges with Connectivity entities and Pipe entities that represent connections between entities represented as nodes.

There are several ways to approach building a network in UIM. The following general pattern is a starting place:

1. (Optional) Define Network specifications in Design Studio. Specifications are not required, but you can use them to add characteristics or rules based on your business requirements. Several Network specifications are available in UIM reference cartridges, such as the Carrier Ethernet sample cartridge.
2. Create a network entity in UIM.
3. Create network nodes in UIM. You create network nodes in the network visualization.
4. Associate network nodes to entities such as logical devices or equipment in UIM.
5. Associate network nodes to places, property locations, and service locations to specify their geographic location. If these locations include longitude and latitude, the nodes can appear in the UIM map view.
6. Create network edges that connect network nodes in UIM.
7. Associate connectivities and pipes to network edges in UIM.

You can accomplish many of these tasks in one operation from the Network Topology view. See "[Building Networks in UIM](#)" for more information.

About Network Technologies

When you create a Network entity, you must specify its technology or specify that the network technology is undefined. The technology cannot be changed after the network entity has been created, unless you set the technology to **Undefined**.

When you specify the technology during the creation of a Network entity, UIM filters the list of specifications you can select from. For example, if you set the **Technology** data element to **Ethernet**, you can select only a specification that is valid for the Ethernet technology.

Technologies are supplied as part of the Base Technologies cartridge. See *UIM Cartridge Guide* for more information.

About Network Types

There are three types of networks in UIM. You specify the type when you define a Network specification in Design Studio. The network type and the network technology are interdependent.

- An *infrastructure network* is a resource-based network such as SDH, ATM, Ethernet, or MPLS.
- A *packet virtual network (PVN)* is collection of the interfaces and connectivities that support a packet-based connectivity service. Multipoint Ethernet virtual circuits (EVCs) are examples of PVNs. See "[About Packet Virtual Networks](#)" for more information.
- A *service network* consolidates service locations, network access connectivity, and supporting virtual networks to provide a unified view of a connection-oriented service. See "[About Service Networks](#)" for more information.

The network type is not displayed on Network entities in UIM, but can be inferred from the specification on which the entity is based. For example, the Ethernet EVC Network specification, provided in the Carrier Ethernet sample cartridge, defines a PVN network. Similarly, the Ethernet Transport Network specification in the same sample cartridge defines an infrastructure network.

The network type determines the functionality that is available in the network visualization. For example, the Design Steps feature is available only for PVNs and service networks.

About Packet Virtual Networks

PVNs represent the elements in a service provider's network that fulfill a connection-oriented service based on packet technologies such as Ethernet, ATM, Frame Relay, and MPLS.

A PVN typically includes nodes that represent flow interfaces and edges that represent packet network connectivity and cross-connects. See "[About Flow Interfaces](#)" for more information about flow interfaces.

Note:

PVNs are not required to have any edges. They can exist as a set of nodes that represent flow interfaces with no edge connectivity modeled.

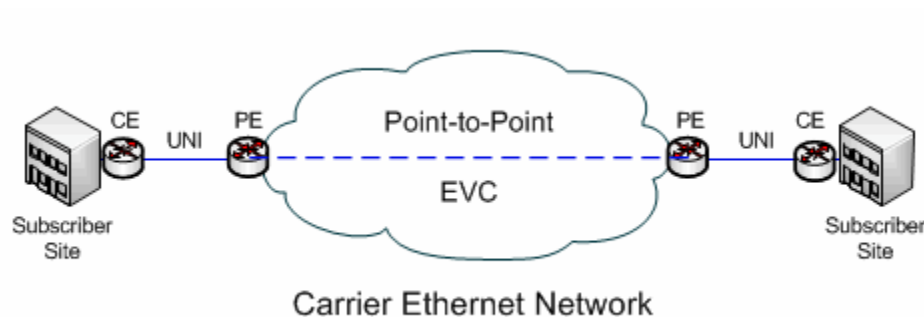
PVNs can be referenced by multiple services and are always created with configurations.

Valid topologies for a Packet Virtual Network are:

- Point to Point
- Multipoint to Multipoint
- Rooted Multipoint

Figure 12-1 illustrates a simple Carrier Ethernet scenario that includes a point-to-point EVC. Data travels from a customer site through a UNIs to an EVC managed by the service provider or carrier. The data then flows through the EVC to another UNI and on to the other customer site.

Figure 12-1 Point-to-point EVC



An EVC Network specification is included in the Carrier Ethernet sample cartridge.

About Service Networks

Service networks are virtual networks that provide an end-to-end view of a connection-oriented service, such as a multipoint Ethernet service. Unlike other networks, you create service networks from the service configuration of the parent service.

For example, if you have a Carrier Ethernet service, its service network is based on the resources that enable the service.

A service network can include nodes that represent:

- Packet virtual networks that support the service
- Service locations
- Parties that represent service providers who own external networks that support the service

A service network can include edges that represent:

- Service connectivity
- Network access connectivity that links packet virtual networks

A Service Network is always created with a configuration.

The Carrier Ethernet cartridge includes a specification for an Ethernet service network. This service network comprises the service locations and the packet virtual networks that are involved in delivering the service. The service network is included as a configuration item in the Service configuration.

See the *UIM Carrier Ethernet Cartridge Guide* for more information about using Service networks.

About Network Topologies

When you create or maintain a network entity in UIM, you can specify a topology to describe how the network's nodes are arranged in relation to each other. For example, you can define the network topology as **Mesh**, which means that all the nodes in the network are connected to each other directly or indirectly. Alternatively, you can define the topology as **Ring**, meaning that the network is a loop in which signals travel in a predictable pattern from node to node.

This setting is descriptive by default, but you can customize UIM by adding validations or other rules associated with the selection.

See UIM Help for a complete list of all the topologies from which you can choose.

SONET and SDH Network Attributes

Networks that are based on the SONET and SDH technologies have several attributes not shared by other networks. These attributes are included by default in the base SONET and SDH specifications which are included in the `ora_uim_base_specifications` cartridge. (See *UIM Cartridge Guide* for more information about base cartridges.)

- **Enforce Same Channel Assignment.** This check box determines how UIM provisions connectivity for pipes that are associated with the network. If the check box is selected, a trail signal that is enabled by pipes that are associated with edges in the network must travel on the same channel or time slot in all segments. For example, a DS3 trail enabled across an STS-3 ring topology would be assigned to the same channel in each pipe that makes up the ring.
- **Ring Type.** If you select **Ring** as the network topology, you can use this data element to specify the specific architecture of the network, such as simple ring, single-home subtended, and so on. See "[Selecting the Ring Type](#)" for more information.
- **Protection Type.** This data element defines how the network implements protection paths to ensure signal reliability and quality. Protection schemes include UPSR, SNCP, and so on. See "[Selecting the Protection Type](#)" for more information.

Selecting the Ring Type

You can select from several different ring types if you set the network topology to **Ring**. You use set the type to describe the ring's relationship (if any) to other rings in your inventory.

For example, you can designate that a ring is either single-homed or dual-homed subtended. Subtended rings are ones that are dependent on a core network. A single-homed subtended ring shares only a single node with the core network and is therefore a complete loop in itself. A dual-homed subtended ring, however, is not a complete loop because it shares two nodes with the core network.

Subtended rings are used to extend ring networks to support lower-level services. For example, an OC48 or STM1 core network supports services based on STS1 (51.840 Mbps), DS3 (44.736 Mbps), VC3/TUG3 (51.840), or E3 (34.368 Mbps). It may not support services based on DS1 (1.544 Mbps) or E1 (2.048 Mbps). Subtended rings act as network multiplexers to make it possible to support these lower level services.

Another type of interconnected ring type is a virtual ring. A virtual ring is made up of segments from other rings. The virtual ring takes its capacity from these segments. For example, an STS1 (51.840 Mbps) virtual ring could be enabled by an OC-48 (2.4832 Gbps) core ring and multiple OC3 (155.52 Mbps) subtended rings interconnected with it. The virtual ring would be enabled by the signal structures of the rings.

See the UIM Help for a complete list of all the ring types from which you can choose.

Selecting the Protection Type

When you create or maintain a network entity, you can optionally designate its protection type. SONET and SDH networks include a secondary or protection path by which a signal can be delivered if the primary path encounters a problem.

The protection types for SONET and SDH are different, but they fall into a few categories:

- Protection based on dedicated protection paths. This type of protection is called UPSR (for SONET) or SNCP (for SDH).
- For SDH only, the MSP protection type uses dedicated secondary paths, but implements them on a segment-by-segment basis rather than on the whole ring.
- Protection based on the re-routing of traffic around nodes that are experiencing problems. This protection type is called BLSR (in SONET) or MS-SPRing (in SDH).

See the UIM Help for a complete list of all the protection types from which you can choose.

Understanding Network Nodes

A network node is a specific resource or location in a network. In UIM, nodes and the resources that they represent are modeled separately. This approach gives you the flexibility to maintain your inventory as equipment changes. For example, a network node in Dallas might initially represent a particular kind of DSLAM. When the DSLAM is upgraded, the node remains in place but the associated resource can be changed.

Modeling nodes and resources separately also enables you to plan a network without knowing exactly which devices it will include. For example, you may know that a planned network must include nodes in Toronto, Ottawa, and Montreal, but not know which devices

will be used for those nodes. In this case, you can model the network's nodes in advance and associate resources later.

In Design Studio, you can define Network Node specifications. For example, you can define a Network Node specification for nodes in a DSL network. This specification could include characteristics specific to DSL and can limit the node to representing only DSL-related resources.

You can limit the kinds of entities that a network node can represent by relating entity specifications to the Network Node specification. In UIM, these relationships restrict the entity types to which a node can be associated. For example, if the DSL Network Node specification includes relationships to the DSLAM Logical Device specification, UIM allows DSLAM network nodes to be associated only with entities based on the DSLAM Logical Device specification.

If a Network Node specification does not include any relationships to the entity types a network node can represent, UIM allows nodes to be associated with any of the allowable entity types.

Network nodes can be associated with the following entity types:

- Custom network address
- Custom object
- Device interface
- Equipment
- Flow interface
- Logical device
- Network
- Place
- Physical device
- Physical port
- Party
- Property Location (including both network locations and service locations)

A network node can be associated with both a logical device and a place or network location. This situation occurs when you associate the node to a logical device that is located at a place or network location.

In UIM, you use the Topological View page to add network nodes to a network. A network node represents a place when it is associated to a place. If you associate the node that is currently associated to a place to a resource, the node then represents the resource. For example, if you add a node to a DSL network, you can associate that node with a particular logical device, such as a DSLAM.

[Figure 12-2](#) illustrates the icons used in the Network Topology View page for network nodes that represent entities.

Figure 12-2 Network Node Icons

Understanding Network Edges

A network edge represents reachability between two nodes in your network. This can be represented by one or more pipes or connectivities, or it may be in the form of traffic over a network where a static route is not defined.

A Network Edge specification describes the behavior and attributes of the edges that connect nodes in a network. You define different Network Edge specifications for the different kinds of edges in your inventory. For example, you can define a Network Edge specification with appropriate characteristics to represent an edge in a DSL network.

Network edges are modeled separately from pipes or connectivities they represent. As a result, you can create edges when the resource details are not known and to update them over time.

You can associate a network edge to one or more pipes or connectivities. You can also associate a network edge or to one or more custom object entities when the connection cannot be represented by other entities in the default model. Edges can also represent cross-connects between flow interfaces in a packet virtual network. You can also leave the network edge unassociated if the details are unknown or unimportant.

As with network nodes, you use the Topological View page to add network edges between nodes. The edges are visually expressed as lines that connect network nodes. The lines are dotted when the edge is not associated with a resource entity and solid when an association has been made.

Limiting the Types of Entities Represented by a Network Edge

You can associate a network edge to any entity based on a Pipe, Connectivity or Custom Object specification. In Design Studio, you can relate Network Node specifications to Network Edge specifications to limit the possible associations in UIM.

For example, to limit the possible associations for a particular Network Edge specification to entities based on specifications for T1 and T3 pipes, in Design Studio you include those two specifications in the **Related Specifications** list for the node.

If no relationship exists in Design Studio between the Network Edge specification and a resource specification, UIM does not limit the entities a network edge can represent.

Building Networks in UIM

In UIM, you build a network in the network visualization. To create a network in UIM, you perform the following high-level tasks:

- Create a new network.
- Add network nodes to the canvas.
- Associate network nodes with entities (such as logical devices) and places.
- Add network edges between nodes.
- Associate connectivities and pipes with network edges.
- Customize icons for the entities.

 **Note:**

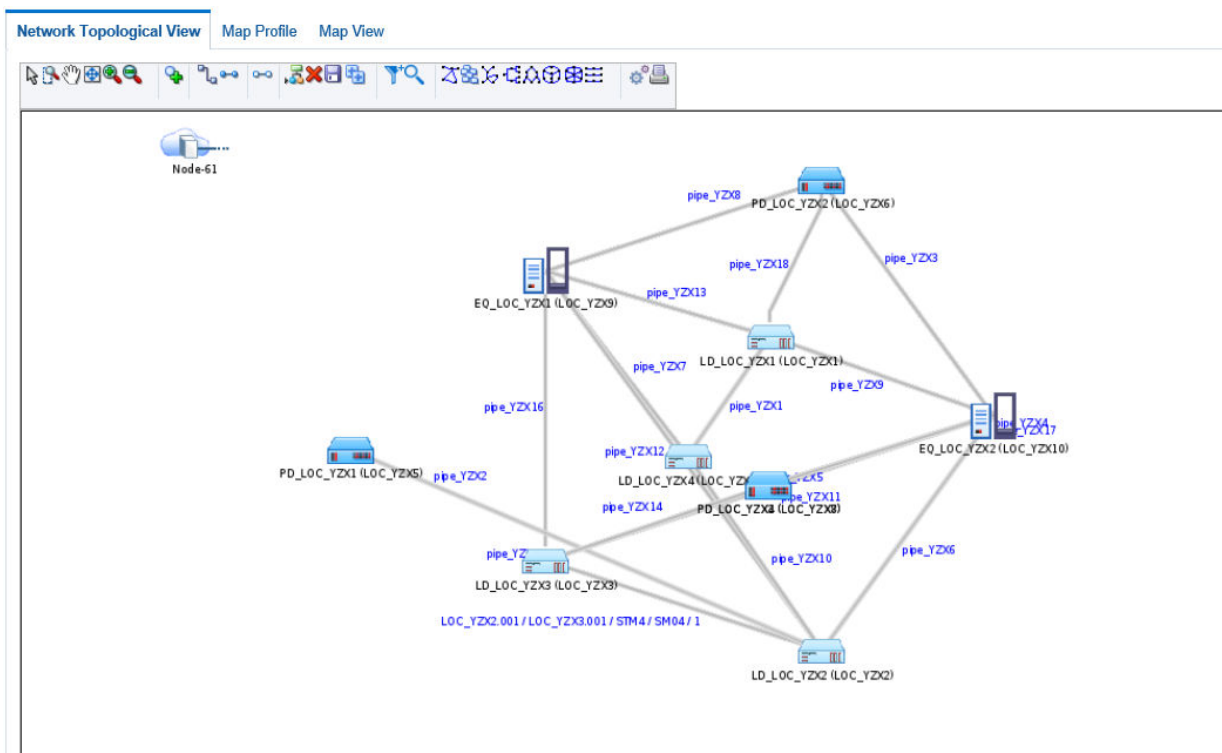
You can also view the customized icons of the entities in Map View.

You can accomplish many of these tasks in one operation from the Network Topology View. You can click the Associate Connectivity button in the toolbar and select all of the connectivities that should be represented as edges in the network. UIM automatically creates edges, associates the correct connectivity to each edge, creates nodes, and associates the correct logical device to each node.

Networks in the Topological View have a drill-down feature that enables you to drill down from one network into a subnetwork and see the network edges that connect network nodes in different network levels.

Figure 12-3 depicts a network in the Topological View page. This network includes network nodes that represent logical devices. One of the devices is selected and its details are displayed in the Details area in the bottom of the page.

Figure 12-3 Topological View



You can save the network visualization as a JPG file that you can view or print. See the UIM Help for detailed information about this feature and other topological view tools.

Map View

You can also view the network geographically in the UIM Map View page. In this view, network nodes and edges are shown on a map based on latitude and longitude. Network nodes appear in the map view only if they are associated with a place or network location that includes a latitude and longitude or associated to a place that is associated with an address that has a latitude and longitude.



Note:

The map view is not supported for packet virtual networks (PVNs).

You must also select a map profile before a network is shown on a map. There are additional implementations required to use map functionality. Refer to *UIM System Administrator's Guide* for additional information on setting up UIM to use with maps. For information about setting up UIM for geocoding, see *UIM Developer's Guide*.

You can create custom map views by using map profiles. Map profiles control what a map displays when it opens for each network. For example, a map can open at the national level for one network and can be zoomed down to the city level for another network. See the UIM Help for information about creating a map profile.

See the UIM Help for detailed information on using the tools on the Map View page.

13

Connectivity Overview

This chapter provides an overview of the connectivity features in Oracle Communications Unified Inventory Management (UIM).



Note:

The word *connectivity* is used in two ways in this guide. It is used in a general sense to mean the ability to transfer information to and from devices and locations. It is also used more specifically to refer to Connectivity entities.

UIM supports several different types of connectivity. This chapter covers features that are common to all types of connectivity.

About Connectivity

In the telecommunications industry, connectivity refers to the ability to transport information to and from devices and locations by using physical or logical media. The inventory of a telecommunications provider includes networks of routers, switches, multiplexers, and other devices located in various places. The devices and locations are connected to each other using various networking technologies, such as Ethernet, Frame Relay, SONET, and so on.

In UIM, Connectivity entities provide built-in support for a variety of technologies and can be customized to suit your business needs. UIM supports three types of Connectivity entities:

- Channelized Connectivity entities support multiplexed technologies such as E-Carrier, T-Carrier, J-Carrier, SDH, SONET, and WDM. See "[Channelized Connectivity](#)".



Note:

In releases previous to UIM 7.3, all Channelized Connectivity entities were based on the same specification. This restriction no longer applies. You can create multiple Channelized Connectivity specifications in Design Studio and deploy them to UIM. In addition, a variety of sample Channelized Connectivity specifications are included in the OracleComms_UIM_Channelized cartridge.

- Packet Connectivity entities support packet-based technologies such as Carrier Ethernet, Frame Relay, and ATM. See "[Packet Connectivity](#)".
- Service Connectivity entities represent the connectivity requirements of a service, such as the locations to be connected and the necessary bandwidth. Unlike other connectivity entities, you create Service connectivities in the context of Service configurations. See "[Service Connectivity](#)".

In addition to Connectivity entities, UIM includes Pipe entities that can be used in scenarios when the more specialized Connectivity entities are not appropriate. Pipe entities are more

generic than Connectivity entities and include fewer features. Pipe entities and Connectivity entities are not mutually exclusive: you can include them both in the same network. For example, pipes can enable channelized connectivity. See "[Pipes](#)" for more information.

Connectivity entities cannot be associated with the following:

- Reservations
- Conditions
- Roles
- Inventory groups
- Place entities. (Channelized connectivity can be associated with property locations. See "[About Connectivity Locations](#)" for more information.)

[Figure 13-1](#) shows the **General Information** tab of a Connectivity Details page for a Connectivity entity. This Connectivity entity represents DS3 channelized connectivity.

The **General Information** tab is used for all types of Connectivity entities. It includes the basic details about the connectivity that were established when the entity was created. See "[Working with Connectivity Entities in UIM](#)" for information about other tabs in the Connectivity Details page.

Figure 13-1 Connectivity Details: General Information Tab



Although each type of Connectivity entity has specialized capabilities, they also share functionality and attributes. See the following sections for information about features common to all Connectivity entities:

- [About Connectivity Locations](#)

- [About Connectivity Technologies](#)
- [About Rate Codes](#)
- [About Connectivity Functions](#)
- [About Connectivity Identifiers](#)
- [About Termination](#)
- [About Connectivity Enablement](#)
- [Working with Connectivity Entities in UIM](#)

Technologies, rate codes, and connectivity functions are defined by specifications in the ora_uim_basetechnologies cartridge. You must deploy this cartridge to UIM before using connectivity features. See *UIM Cartridge Guide* for information about deploying cartridges.

About Connectivity Locations

Connectivity entities have A and Z end points that must be geographically located at a property location. Each end point must be a property location that is one of the following:

- **Network location.** A network location is one that hosts devices involved in connectivity. Defining a property location as a network location requires the assignment of a network location code. See "[About Network Locations](#)".
- **Network entity location.** Network entity locations define a specific logical device (a network entity) at a network location. See "[About Network Entities](#)".
- **Service location.** A service location is one where a service originates or is delivered. Service locations are often outside the service provider network. See "[About Service Locations](#)".

See "[About Network Locations](#)" for more information about network locations and network entity locations.

Most connectivities have both end points on network locations or network entity locations. Certain types of connectivities, such as those that represent connectivity from a customer location to the service provider network, have at least one end point on a service location. For example, the UNI Connectivity specification supplied in the Carrier Ethernet cartridge has one end point on a service location.

The locations you specify determine where the end points can be terminated. For example, if you specify a network location for the A end point, the end point must be terminated on a device interface provided by a network device at that network location. See "[About Termination](#)" for more information. Similarly, if you specify a service location as the A location of a connectivity, the connectivity can be terminated only on an interface provided by a device at that location.

The A and Z network locations can be the same, as in an intra-office transmission facility. In this case, one end is typically located at a network entity location within the network location.

About Connectivity Technologies

When you create a Connectivity entity, you specify its technology it uses. The technology you choose determines which specifications you can select for the entity.

For example, if you select the Ethernet technology and have deployed the OracleComms_UIM_Carrier Ethernet cartridge, you can choose from the three Ethernet

specifications (UNI Connectivity, INNI Connectivity, ENNI Connectivity) and from any custom specifications that have been assigned the Ethernet technology.

The OracleComms_UIM_Packet sample cartridge includes specifications for the ATM and Frame Relay technologies:

- ATM
- Frame Relay

Similarly, when you select a channelized connectivity technology, such as T-Carrier or SONET, you can select from base or other installed specifications that have been assigned that technology. The OracleComms_UIM_Channelized sample cartridge includes specifications that are based on the following technologies:

- SONET
- SDH
- E-Carrier
- T-Carrier
- J-Carrier
- WDM

Selecting the technology of a connectivity also limits the rate codes you can select. For example, if you set the technology to T-Carrier, rate codes are limited to DS0, DS1, and so on. Similarly, selecting a rate code limits the technologies from which you can select. See "[About Rate Codes](#)" for more information.

About Rate Codes

UIM uses rate codes to define the technology and bit-rate capacity that apply to Logical Device, Device Interface, and Connectivity entities.

Each rate code definition includes:

- A name, such as STS1 or VC3
- One or more networking technologies, such as Ethernet, SDH, or SONET
- A bit rate and unit of measure, such as 51.840 Mbps or 48.960 Mbps

Rate codes associated with facility signals can also include a connectivity function, such as T1, that describes how a connectivity is used.

You assign rate codes to Connectivity entities when you create them. The rate codes you select from are limited by the connectivity's technology and specification.

The rate code you select determines other attributes of the connectivity configuration, including the signal structure. For example, if you specify that a connectivity has a DS3 rate code, the connectivity signal architecture specifies that you can channelize the connectivity to either DS2 or DS1.

The rate codes of a connectivity also determines which connectivities can be enabled by or *ride* them. For example, a connectivity entity to be enabled by a channel, its rate code must match or be compatible with the rate code of the channel. See "[About Rate Code Compatibility](#)" for more information.

Pipes can also be enabled by channels provided by channelized connectivity, but compatibility is not based on rate code. Instead, UIM uses the underlying bit-rate

capacity provided by the channel to determine whether enablement is allowed. For example, a channelized connectivity with a DS1 rate code provides DS0 channels. These channels can enable a Pipe service trail that requires 64 Kbps because that capacity matches the 64 Kbps of the DS0 rate code.

You can also apply rate codes to device interfaces. You can terminate a connectivity on a device interface only if the rate codes match. See "[Associating Rate Codes to Device Interfaces](#)" for more information.

About Rate Code Compatibility

When UIM determines whether one connectivity can enable another, it considers rate code compatibility. Compatible rate codes are those whose bit-rate capacities and technologies allow interoperability. For example, the VC12 and E1 rate codes are compatible because a VC12 channel can transport an E1 signal. Similarly, a Ethernet UNI connectivity with a rate code of 1 Gbps can be enabled by 16 STS1 Channels because the rate codes are compatible.



Note:

Packet connectivity cannot enable other packet connectivity, whatever the rate code.

Compatibility is defined in the signal architecture by relationships between Signal Termination Point specifications. See "[About the UIM Signal Architecture](#)" and *UIM Information Model Reference* for more information.

About Connectivity Functions

Connectivity functions identify the purpose or role that a Connectivity entity performs. For example, the T1 connectivity function identifies a connectivity as a T-Carrier transmission facility operating at a DS1 rate code. Similarly, the GE100 connectivity function identifies an Ethernet facility operating at the 100GigE rate (100 Gbps).

Connectivity functions are included in connectivity identifiers. See "[About Connectivity Identifiers](#)" for more information. Connectivity functions are applicable only to Connectivity entities that represent facilities.

You determine a facility's function when you assign its rate code. Similarly, if you select a connectivity function when defining a connectivity, UIM sets the applicable rate code and technology.

No default behavior is associated with connectivity functions, but you can use them to extend UIM with rulesets. Supported functions are defined in the `ora_uim_basetechnologies` base cartridge.

About Connectivity Identifiers

UIM connectivities can be identified in three ways, depending on the context:

- A location-based format is used for connectivities that are terminated on network locations. See "[Location-Based Connectivity Identifiers](#)".

- A service-based format is used for connectivities in which one end point is terminated on a service location. See "[Service-Based Connectivity Identifiers](#)".
- A custom format can be used for packet and channelized connectivities to implement an identification scheme that is specific to your business. See "[Custom Connectivity Identifiers](#)".

Location- based and service-based identifiers comprise a number of attributes or elements separated by spaces and forward slashes. The information in the identifier is organized with the most significant information first and the most granular information last.



Note:

Channels in Channelized Connectivity also have identifiers. See "[About Channel Identifiers](#)" for more information.

Location-Based Connectivity Identifiers

You use the location-based connectivity identifiers for entities that are terminated on network locations or network entity locations.



Note:

Service connectivities cannot use location-based connectivity identifiers.

These are the five attributes used to construction a location-based connectivity identifier:

- Network/Entity Location A. The location of the A end point of the connectivity. This value can be a network location code or a network entity location code. See "[About Network Locations](#) " for more information.
- Network/Entity Location Z. The location of the Z end point of the connectivity. This value can be a network location code or a network entity location code. See "[About Network Locations](#) " for more information.
- Rate Code. The rate code of the connectivity. See "[About Rate Codes](#)" for more information.
- Function. The functional role that the connectivity plays. See "[About Connectivity Functions](#)" for more information.
- The serial number for the connectivity. The serial number is unique among connectivities that share the same A Network/Entity, Z Network/Entity, Rate Code, and Technology values. When you create a connectivity, you can either accept the automatically generated serial number or enter one of your own.

Forward slashes separate the fields in the identifier. For example,

PLANTXUSXA.A01 / PLANTXUSXA.K01 / DS1 / T1 / 99

identifies a connectivity with endpoints at the network entities A01 and K01, both at the network location PLANTXUSXA. This connectivity operates at the DS1 rate code and has the T1 connectivity function. It is uniquely identified by the serial number 99.

Channels in channelized connectivities are also identified with the location-based format, with the addition of a unit value. See "[About Channel Identifiers](#)" for more information.

Service-Based Connectivity Identifiers

Connectivities that have at least one end point on a service location use the service-based identifier format. Service connectivities and packet connectivities designed for access, such as UNI connectivities, have service-based identifiers.

Identifiers in this format are constructed of two or three elements:

- **Function.** The function that the connectivity plays, such as VPN, IPTV, or VoIP.
- **Serial Number.** The serial number must be unique for all connectivities that share the same connectivity function.
- **Segment.** A segment uniquely identifies each termination leg of a multipoint connectivity arrangement. This element is absent in point-to-point connectivities.

For example, a service connectivity connecting several locations of a bank could have the service-based connectivity identifier VPN / 001011 / 0001, where VPN is the connectivity function, 001011 is a serial number shared by all the service connectivities in the multipoint service, and 0001 is the segment value that identifies the specific service connectivity.

Custom Connectivity Identifiers

Service providers often have their own naming standards for connectivity. UIM supports these corporate naming standards by allowing custom identification formats.

If you create a connectivity in UIM that is based on a specification that specifies a custom identifier format, UIM passes information about the connectivity to a ruleset that generates the identifier. This information includes:

- A network or service location
- Z network or service location
- Technology
- Rate code
- Function
- Serial number
- Specification

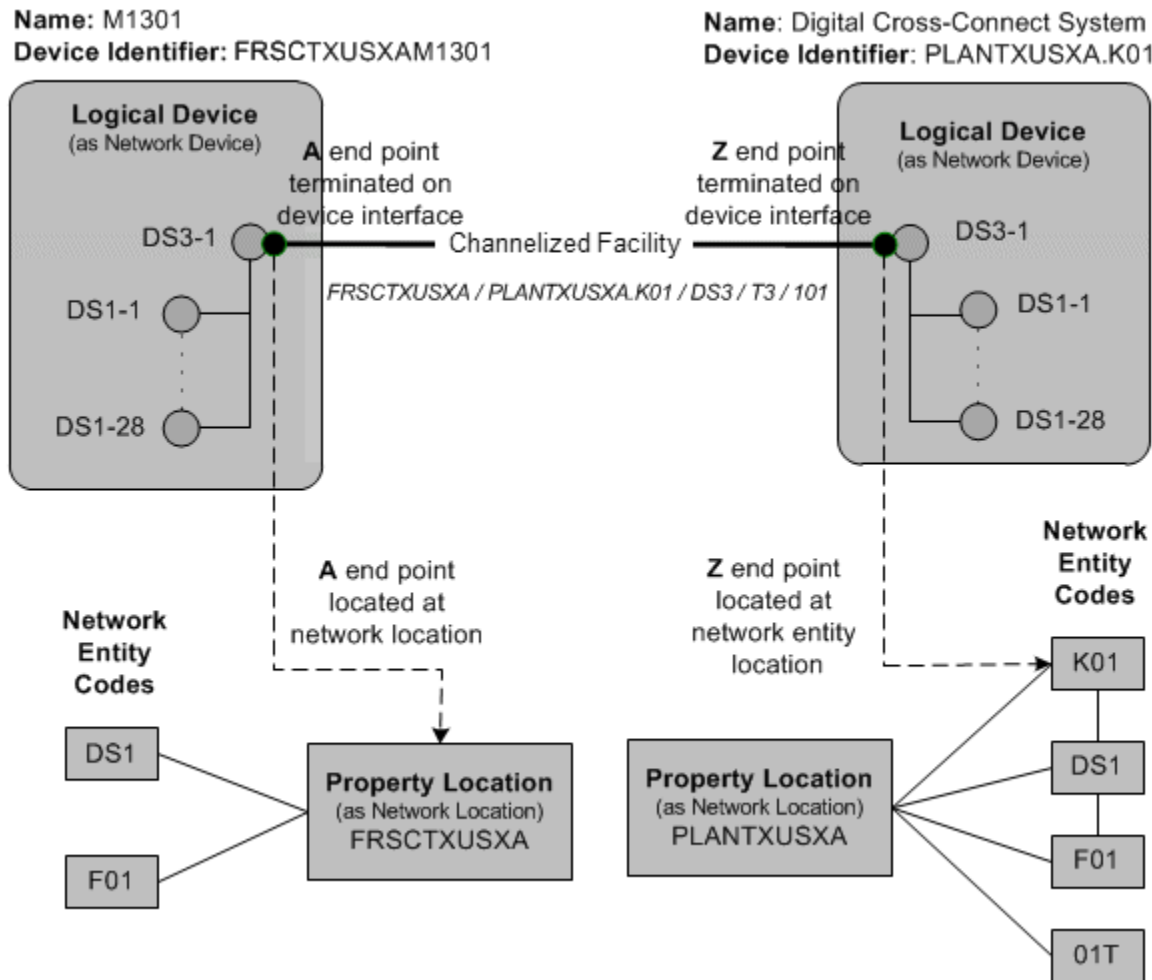
UIM also generates a unique serial number for the connectivity, which can optionally be included in the identifier. UIM validates custom identifiers to ensure that they are unique across all connectivity entities.

About Termination

Channelized connectivity entities must be terminated on media interfaces (logical devices at the top of their device interface hierarchies.). These media interfaces must be provided by logical devices hosted at network locations or service locations.

Most connectivities are terminated on media interfaces at the network locations or network entity locations associated with their end points. For example, Figure 13-2 illustrates a channelized connectivity with its A end point at network location FRSTXUSXA and its Z end point at network entity location PLANTXUSXA.K01. The connectivity is terminated on device interfaces provided by logical devices at those locations.

Figure 13-2 Connectivity Termination with Network and Network Entity Locations



In this case, the A end point is terminated on the FRSTXUSXAM1301 multiplexer, which is not associated with a network entity location code. Because the A end point is located at the FRSTXUSXA network location and not a network entity location, it can terminate on any device at the location, including devices not associated with a network entity location code. The Z end point is located at the PLANTXUSXA.K01 network entity location and therefore must terminate on that device.

The interfaces you can choose to terminate the connectivity depend on whether the end point is at a network location of a network entity location:

- If the end point is located at a network location, the connectivity can be terminated on the interfaces of any device at the location that has a matching rate code.

- If the end point is located at a network entity location, the connectivity can be terminated on any interface of that device that has a matching rate code.

Some connectivities, such as Ethernet UNI connectivities, can have end points at service locations. In this situation, you can choose to terminate the connectivity on any compatible media interface at the service location. If the service location is also a network location, all of the compatible interfaces associated with the network location code are also available for terminating the connectivity.

You terminate a connectivity during the connectivity design process. See "[Designing Connectivity](#)" for more information.

Packet connectivities that are enabled by other packet connectivities have special termination rules. See "[Packet-Over-Packet Termination Rules](#)" for more information.

About Connectivity Enablement

Connectivities are enabled to specify the resources used to realize end-to-end continuity. For example, if you use a Channelized Connectivity entity to represent a DS1 service trail from network location FRCTXUSXA to network location PLANTXUSSL, you enable the connectivity to specify how it is realized.

Similarly, if you use a Packet Connectivity entity to represent INNI connectivity in a Carrier Ethernet solution, you enable it to specify the transport details. For example, the INNI connectivity could be enabled by one or more channels in a channelized connectivity. It can also be enabled by another packet connectivity of higher capacity.

Note:

When you enable a connectivity, you do not necessarily have to supply transport details. In some cases, those details are irrelevant to your inventory. For example, you may not need to specify how a INNI connectivity is enabled because the transport is supplied by a third party whose resources are outside your network. In this case, you include an accepted gap in the connectivity design.

Several different types of resources can be segments in a connectivity path:

- Channels provided by Channelized Connectivity entities
- Packet connectivities
- Pipes with signal structures (if terminated on device interfaces of devices located at network locations)
- Interconnections, including cross-connects and jumpers
- Accepted connectivity gaps (segments where the connectivity is not specified)

You enable a connectivity during the connectivity design process. See "[Designing Connectivity](#)" for more information.

Working with Connectivity Entities in UIM

In UIM, you use the Connectivity Details page to enter and view information about Connectivity entities. Unlike many other UIM pages, the Connectivity Details page is

arranged into several tabs. Each tab is used for a different purpose. The tabs you see depend on the type of Connectivity entity.

These are the tabs that can be displayed in the Connectivity Details page:

- You use the **General Information** tab to view and edit basic information about Connectivity entities. You also use the tab to open the other tabs for editing.
- You use the **Connectivity Design** tab in the Connectivity Details page to enable and terminate connectivity. The **Connectivity Design** tab has two subtabs:
 - The **Design** subtab includes a table that includes rows for each segment in the connectivity path. The rows display icons and information about the segments. For example, the connectivity identifier and status are displayed for each connectivity, channel, or pipe that is assigned to a segment.
 - The **Schematic** subtab of the **Connectivity Design** tab displays a graphical representation of the connectivity enablement and termination design created in the **Design** subtab. The **Design Versions** control in the upper-right corner of the **Schematic** subtab enables you to switch between current and previous versions of the connectivity design.
- You use the **Capacity** tab in the Connectivity Details page to configure the capacity of a channelized connectivity by determining its signal structure. The **Capacity** tab displays a hierarchy of nodes and levels. A control section in the upper level enables you to change how the nodes and levels are displayed.
- You use the **Channels** tab in the Connectivity Details page of a channelized connectivity to view the channel hierarchy.
- You use the **Riders** tab in the Connectivity Details page for packet connectivity entities to view the pipes and connectivities that are enabled by (or *ride*) this connectivity.

The following list shows which tabs are displayed for each connectivity type:

Channelized Connectivity

- General Information Tab
- Connectivity Design Tab
- Channels Tab
- Capacity Tab
- Associated Resources Tab

Packet Connectivity

- General Information Tab
- Connectivity Design Tab
- Riders Tab
- Associated Resources Tab

Service Connectivity

- General Information Tab
- Connectivity Design Tab

- Associated Resources Tab

Designing Connectivity

In UIM, you use the **Connectivity Design** tab in the Connectivity Details page to enable and terminate connectivities. [Figure 13-3](#) shows the **Connectivity Design** tab.

Figure 13-3 Connectivity Design Tab

Seg #	Gp	FRSTXQA - A Location	Network	Segment	Z Location - PLANTXUSSL
1		FRSTXQA FRSTXQA:			
2		FRSTXQA FRSTXQA:	Gap		PLANTXUSSL :PLANTXUSSL
3					PLANTXUSSL :PLANTXUSSL
					Z Location - PLANTXUSSL

About Connectivity Design Visualizations

You can see a read-only visualization of a connectivity design in the **Schematic** subtab of the **Connectivity Design** tab. The visualization includes schematic views of the trail in the lower part of the canvas and the enabling connectivities in the upper part. You can choose to display the current design version or a previous design version.

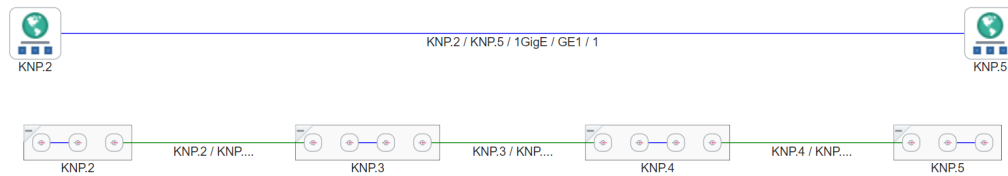
When a trail is enabled by more than one path, such as in a SONET/SDH network, you can select an alternate path from the Paths dropdown.

The visualization includes the following:

- **Connectivities.** Connectivities and channels are shown as thick lines labeled with their connectivity identifiers.
- **Connectivity gaps.** If gaps exist in the design, they are shown as dotted lines.
- **Devices and network locations.** Icons represent A and Z network locations as well as devices or network locations on which connectivities are terminated. You can expand the icons to view more detailed termination information. For example, you can expand a device to see the device interfaces on which connectivities are terminated and any interconnections between those interfaces.
- **Interconnections.** Jumpers and cross-connects are shown as thick lines. Icons indicate whether a line represents a jumper or cross-connect.

See the UIM Help for more information about the icons and about using the connectivity design visualization.

[Figure 13-4](#) shows a connectivity design visualization that includes logical devices, connectivities, a gap, and jumpers.

Figure 13-4 Connectivity Design Visualization

About Design Versions

Connectivity entities are versioned. The first design version is created automatically when you create a connectivity. You create subsequent versions manually. Only one version can be active at a time; you cannot create a new design version until the current one is completed or canceled.

You work with design versions in the **Connectivity Design** tab of the Connectivity Details page. See the UIM Help for more information.

About Connectivity Gaps

A connectivity gap exists when the details are unknown for a segment of connectivity. When you design a connectivity, UIM creates Connectivity Gap entities to represent these segments.

An *unresolved* gap occurs when the gap has no business validity. For example, unresolved gaps naturally occur when you have not yet completed a connectivity design. All connectivity designs begin with an unresolved gap between the A and Z end points.

Connectivity designs cannot be completed if there are unresolved gaps. You can resolve gaps in the following ways:

- By accepting the gap. You can mark a gap as acceptable when knowledge of the connectivity details are not necessary for your business. For example, an acceptable gap may exist for the “last mile” of connectivity when one service provider hands off to another or when transport passes through a third-party network. When you mark such a gap as acceptable, it can be included as part of a completed design. See the UIM Help for information about how to accept gaps.
- By assigning transport to a gap. For example, if a gap exists between two network locations, you can assign a pipe (if it is terminated on device interfaces of devices located at network locations) or a channel from a channelized connectivity. You can assign transport manually or use gap analysis to find transport automatically.
- By using interconnections. Interconnections bridge connectivity between device interfaces. See "[About Interconnections](#)" for more information.

Figure 13-5 shows a simple, completed connectivity design. In this case, a DS1 trail is enabled by a channel from a DS3 facility and two cross-connects. The cross-connects bridge the gaps between device interfaces on a logical devices at the ALLNTXQA network location.

Figure 13-5 Completed Connectivity Design

Seg #	Gp	Network	Segment
1	ALLNXXQA.H22 ALLNXXQA.H22:1012-1		
2	ALLNXXQA ALLNXXQA:1012-1		Cross Connect
3	ALLNXXQA ALLNXXQA:1012-29-7	ALLNXXQA.H22 / FRSCXXQA.H22 / DS3 / T3 /	FRSCXXQA 1012-29-7:FRSCXXQA
4	FRSCXXQA FRSCXXQA:1013-29-7		Cross Connect
5			FRSCXXQA 1013-1:FRSCXXQA.H22 Z Location - FRSCXXQA.H22

Resolving one gap sometimes causes another to be created. For example, if you resolve a gap by assigning a channel that terminates on a device at a network location, a new gap may be created if the next segment is terminated on a different device at the same network location.

Gaps on the ends of the connectivity can be resolved only when the ends are terminated on device interfaces. For example, in [Figure 13-5](#), the A end point is terminated on device interface 1012-1 and the Z end point is terminated at device interface 1013-1.

Assigning Transport

When you assign transport to a segment of a connectivity design, you specify the details of how the signal is carried from one location to another. For example, if you are designing a DS1 service trail, you can specify that the signal be carried on (or *ride*) a channel provided by a Channelized Connectivity entity that represents a T3 facility. Similarly, when you are designing an 100 Mbps Ethernet INNI connectivity, you can specify that it be enabled by channels from an SDH facility or by capacity provided by a 1 Gbps Ethernet connectivity.

Note:

Channelized connectivity can enable packet connectivity, but packet connectivity cannot enable channelized connectivity.

You can also use Pipe entities as transport. For pipes to be used to enable channelized connectivity, however, the pipes must be terminated on device interfaces of devices that are located at network locations. That means that the devices have to have been assigned network location codes or network entity codes.

You can assign transport manually or by using gap or path analysis.

When you assign transport manually, you search for a pipe, channel, or connectivity using the standard entity-specific Search pages. For example, you can search for all channelized connectivity entities that have a particular rate code and an end point at a specific network location. UIM returns all the entities that meet your criteria and you then select a channel from among those provided by those entities.

Gap analysis enables you to automatically find packet connectivity and channelized connectivity channels by specifying starting and ending criteria. You can optionally include other criteria, such as an intermediate location and specific device identifiers.

Figure 13-6 shows the Gap Analysis section with a network entity code specified for the starting location and a network location code for the ending location.

Figure 13-6 Gap Analysis Criteria

The screenshot shows the 'Gap Analysis' configuration window. It is divided into three columns: 'Source', 'Intermediate', and 'Target'. Each column has a 'Type' dropdown menu set to 'Logical Device'. Below these are input fields for 'Network/Entity Location' and 'Device Identifier'. There are checkboxes for 'Include Jumpers in Paths' and 'Contiguous Channels'. A 'Connectivities Supported By' dropdown is also present. At the bottom, there is a 'Custom Tuning' slider ranging from 0 to 100. 'Analyze' and 'Reset' buttons are located in the bottom right corner.

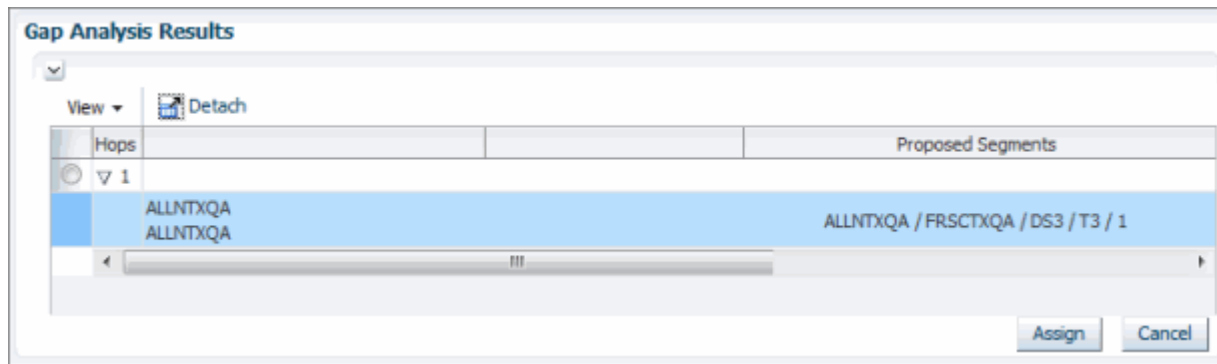
Path analysis is similar to gap analysis except that it finds pipes rather than connectivities. Path analysis in this context is almost identical to gap analysis when used to enable pipes. Figure 13-7 shows the Path Analysis section with the starting point and ending points specifying logical device IDs. See "Enabling Pipes Automatically with Path Analysis" and the UIM Help for more information.

Figure 13-7 Path Analysis Criteria

The screenshot shows the 'Path Analysis' configuration window. The title bar reads 'Path Analysis- ALLNTXQA / ALLNTXQA / DS1 / T1 / 1'. The 'Path Analysis Search' section is expanded. It has three columns: 'Source', 'Intermediate', and 'Target'. Each column has a 'Type' dropdown set to 'Logical Device'. The 'Source' and 'Target' columns have 'ID' input fields containing '1012' and '1188' respectively, with search icons. Below these are 'Name' and 'Rate Code' fields. The 'Rate Code' is set to 'DS1' in both source and target. There are fields for 'Bit Rate' (1.544), 'UOM' (Mbps), and 'Quantity' (1). There are checkboxes for 'Enforce Direction', 'Include Partial Paths', and 'Include Network Nodes and Edges'. A 'Custom Tuning' slider is at the bottom, and 'Analyze' and 'Reset' buttons are in the bottom right.

Both gap analysis and path analysis return lists of matching pipes or connectivities from which you can select. The results are organized by the number of hops, with the lowest number listed first. Figure 13-8 shows the results of a gap analysis. In this case, only a single connectivity met the criteria.

Figure 13-8 Gap Analysis Results



See UIM Help for instructions about using the features in the **Connectivity Design** tab to assign transport.

About Interconnections

Interconnections participate in the continuity of an end-to-end trail by forming bridges between interfaces on which connectivities are terminated.

There are two types of interconnections: cross-connects and physical jumpers.

About Cross-Connects

A cross-connect represents a software, electrical, or wireless connection between two device interfaces within a logical device. Cross-connects are logical; they do not represent physical objects. Cross-connects can enable both Pipe and Connectivity entities.

Cross-connects can be interface-bound or trail-bound.

- An interface-bound cross-connect is bound to the life of the interface it connects. If either interface is removed, the cross-connect is also removed. For example, you could create interface-bound cross-connects between the line and drop interfaces of an M13 multiplexer logical device. You create interface-bound cross-connects manually in Device Interface pages. See "[About Interface-Bound Cross-Connects](#)" for more information.
- A trail-bound cross-connect is bound to the life of the trail it enables. If the trail is removed, the cross-connect is removed. Trail-bound cross-connects are automatically created during connectivity design when segments are joined at a common logical device and when an interface-bound cross-connect does not already exist. You can also create cross-connects manually when you design a connectivity. For example a trail-bound cross-connect could be used when a DS1 Interface is interconnected to another DS1 interface to enable a trail that passes through a 3/1/0 DACS.

You cannot change a trail-bound cross-connect into an interface-bound cross-connect or change an interface-bound cross-connect into a trail-bound cross-connect.

Duplicate cross-connects are not allowed. For example, if there is already an interface-bound cross-connect between two device interfaces in a multiplexer, a trail-bound cross-connect cannot be added between those same interfaces. If you use gap analysis to find connectivity in such a situation, UIM automatically includes the existing cross-connect.

If you assign a channel or pipe with an end point that terminates on a device interface in a device, and then assign another channel or pipe with an end point that terminates on another interface in the same device, UIM automatically creates a trail-bound cross-connect between the two interfaces.

Interconnections do not have rate codes because their purpose is to bridge different interface signals. But rate codes are relevant when determining whether a cross-connect can be created. Cross-connects are not allowed when only one interface has a rate code or when the interface rate codes are incompatible. See "[About Rate Code Compatibility](#)" for more information.

About Physical Jumpers

A jumper represents a physical connection between device interfaces (in Logical Device entities) or ports (in Physical Device and Equipment entities). The device interfaces or ports can be on the same device or between devices at the same network location.

For example, a jumper could represent a twisted-pair connection between DSX jack panels or in an MDF (main distribution frame). A jumper could also represent an optical connection between fiber distribution panels.

Physical jumpers participate in the end-to-end continuity of a trail design. For example, when you design a connectivity, a jumper can represent a segment in the enablement of a facility. Similarly, a jumper can represent one segment in the enablement of a trail pipe.

Only one physical jumper is allowed per device interface or port. If a jumper already exists on an interface or port, you cannot add a new one without deleting the existing one. You can add a physical jumper to a device interface that already has a cross-connect, however.

Physical jumpers between device interfaces must be between media interfaces (device interfaces that represent a physical interface or port that can host a physical connection). A device interface is a media interface when it is the root interface in its device interface hierarchy.

Rate codes are not required for device interfaces interconnected by a physical jumper. If both interfaces have rate codes, they must match or be compatible. This same rule applies to device interfaces mapped to physical ports interconnected by a physical jumper.

There are two types of physical jumpers:

- Trail-bound jumpers are created by UIM during pipe and connectivity enablement. For example, if there are two pipes representing twisted-pair cables that are terminated on different ports of the same physical device, UIM creates a physical jumper when you use the two pipes to enable a trail pipe. These jumpers exist only in the context of the trails they enable. If a trail is removed, the jumper is removed.
- Hardwired jumpers are created manually from the Physical Jumper page. You can open the Physical Jumper page from Logical Device, Physical Device, and Equipment Summary pages. Jumpers created in this way are tied to the life cycle of the entities they connect. (They are similar in this respect to interface-bound cross-connects.)

See UIM Help for information about creating jumpers manually.

See UIM Help for information about creating jumpers manually.

Channelized Connectivity

This chapter explains how to use Oracle Communications Unified Inventory Management (UIM) to implement channelized connectivity. Channelized connectivity is one of several types of connectivity supported by UIM. See "[Connectivity Overview](#)" for an introduction.

About Channelized Connectivity

Several different telecommunications technologies break larger-bandwidth signals into multiple smaller-bandwidth signals or channels that can be used independently. This process is called multiplexing.

You use Channelized Connectivity entities to represent channelized connectivity in UIM. Channelized Connectivity entities are based on Connectivity specifications in which the **Connectivity Classification** is set to **Multiplexed**. UIM provides specialized features that support various multiplexing technologies, including:

- SONET (Synchronous Optical Network)
- SDH (Synchronous Digital Hierarchy)
- WDM (Wavelength Division Multiplexing)
- T-Carrier (TDM carrier)
- E-Carrier (European TDM carrier)
- J-Carrier (Japanese TDM carrier)

Each of these technologies defines a hierarchy of possible channel arrangements that provide varying bandwidth capacities.

UIM cartridges supply several Channelized Connectivity specifications that you can use or modify. The OracleComms_UIM_Channelized cartridge includes specifications for PDH, SDH, SONET, TDM, and WDM connectivities. You can also create your own Channelized Connectivity specifications.

Note:

In releases previous to UIM 7.3, all channelized connectivity entities were based on the same specification, TDM Facility. As part of the migration to UIM 7.3 or later, all entities based on TDM Facility are converted to use the Channelized Facility specification that is supplied in the ora_uim_base_specifications cartridge. In addition, you can use Design Studio to create additional Channelized Connectivity specifications. See *UIM Cartridge Guide* for more information about base cartridges. See Design Studio Help for information about creating specifications.

About Channel Identifiers

Channelized Connectivity entities use the location-based connectivity identifier format. (See "[Location-Based Connectivity Identifiers](#)" for more information.) Individual channels also use this format, with the addition of unit values for the channels. Unit values are based on the address of the channel in the signal structure of its parent facility.

Different technologies determine the addresses in different ways depending on their multiplexing schemes. See the following sections and *UIM Information Model Reference* for additional information about the signal architectures of the various technologies and about channel addresses.

E-Carrier, J-Carrier, and T-Carrier Channel Identifiers

E-Carrier, J-Carrier, and T-Carrier facilities can be channelized to only one level, so channels are numbered sequentially. For example, in a T-Carrier DS1 facility, DS0 channels are addressed sequentially starting at 1 and ending at 24. The 24th DS0 channel in a DS1 facility could have the identifier

```
PLANTXUSXA.A01 / PLANTXUSXA.K01 / DS1 / T1 / 99 / 24
```

as an example.

SONET Channel Identifiers

The SONET signal/channel addressing format combines the indexes of each STS-*n*, VT Group, and VT-*n* starting from the first signal level to which the SONET facility was configured. Signal level index numbers are separated by a dash.

[Figure 14-1](#) displays the possible index values for each level in the SONET signal architecture.

Figure 14-1 SONET Signal Level Index Values

Facility	Signal Level								
	STS-3072	STS-768	STS-192	STS-48	STS-12	STS-3	STS-1	VTG	VT1.5
OC-3072	1	0-4	0-4	0-4	0-4	0-4	0-3	0-7	0-4
		1-4	0-4	0-4	0-4	0-4	0-3	0-7	0-4
			1-16	0-4	0-4	0-4	0-3	0-7	0-4
				1-64	0-4	0-4	0-3	0-7	0-4
					1-256	0-4	0-3	0-7	0-4
						1-1024	0-3	0-7	0-4
							1-3072	0-7	0-4
								1-86016	
OC-768	1	0-4	0-4	0-4	0-4	0-3	0-7	0-4	
		1-4	0-4	0-4	0-4	0-3	0-7	0-4	
			1-16	0-4	0-4	0-3	0-7	0-4	
				1-64	0-4	0-3	0-7	0-4	
					1-256	0-3	0-7	0-4	
						1-768	0-7	0-4	
							1-21504		
OC-192	1	0-4	0-4	0-4	0-3	0-7	0-4		
		1-4	0-4	0-4	0-3	0-7	0-4		
			1-16	0-4	0-3	0-7	0-4		
				1-64	0-3	0-7	0-4		
					1-192	0-7	0-4		
						1-5376			
OC-48	1	0-4	0-4	0-3	0-7	0-4			
		1-4	0-4	0-3	0-7	0-4			
			1-16	0-3	0-7	0-4			
				1-48	0-7	0-4			
						1-1344			
OC-12	1	0-4	0-3	0-7	0-4				
		1-4	0-3	0-7	0-4				
			1-12	0-7	0-4				
						1-336			
OC-3/STS3	1	0-3	0-7	0-4					
		1-3	0-7	0-4					
				1-84					
OC-1/STS1	1	0-7	0-4						
			1-28						

For example:

- **15-2-3-6-4** is a VT-1.5 channel in an OC-192 facility (STS-12: **15**, STS-3: **2**, STS-1: **3**, VT Group: **6**, VT-1.5: **4**)
- **12-0-0-0** is an STS-3 channel in an OC-45 facility (STS-3: **12**, STS-1: **0**, VT Group: **0**, VT-1.5: **0**)
- **1-0-0-0** is an STS-3 channel in an OC-3 facility (STS-3: **1**, STS-1: **0**, VT Group: **0**, VT-1.5: **0**)

SDH Channel Identifiers

SDH channel identifiers are in the following format:

J-K-L-M

where:

J is the AUG-1 index (from **1** to **1024**)

K is the TUG-3 index (from **1** to **3**)

L is the TUG-2 index (from **1** to **7**)

M is the TU-*n* index (from **1** to **4**)

Each index is always included in the address and is set to **0** if not applicable.

For example:

3-0-0-0 is the address for a VC-4 channel in the third AUG-1 on an STM-4 facility, channelized above the TUG and TU signals.

13-2-1-4 is the address for a VC-11 channel on an STM-16 facility: the thirteenth AUG-1, the second TUG-3, the first TUG-2, the fourth VC-11 on the TUG-2.

WDM Channel Identifiers

WDM facilities channelize to only one level, so a 1.*n* signal/channel addressing scheme is used. For example, in a WDM OM40 facility that is channelized to 5 OM8 channels, the channel identifiers are **1** through **5**.

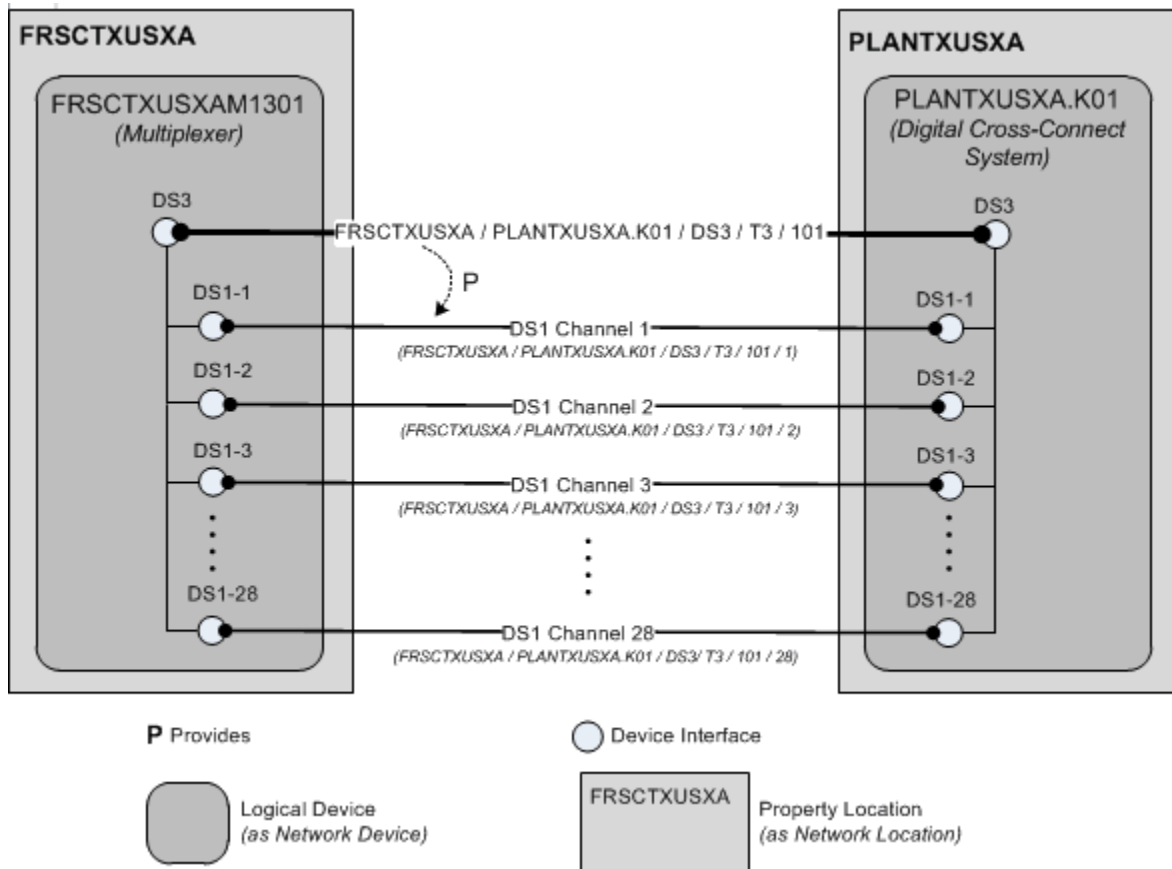
Terminating Channels

Like other UIM connectivities, channelized connectivity must be terminated. See "[About Termination](#)" for an overview. In addition, the multiplexed channels provided by channelized connectivity must also be terminated.

When you terminate a parent connectivity on a device interface, its channels are automatically terminated on sub-interfaces of that interface if it provides enough sub-interfaces to terminate all the channels. (Sub-interfaces are created automatically only if the Device Interface specifications for the sub-interfaces are related to the parent Device Interface specifications with a minimum and maximum value equal to the number of sub-interfaces at that level.)

[Figure 14-2](#) shows the FRSCCTXUSXA / PLANTXUSXA.K01 / DS3 / T3 / 101 connectivity and its channels. The DS1 channels are provided by the connectivity. The channels terminate on the sub-interfaces of the interfaces on which the connectivity terminates. The sub-interfaces are created automatically by UIM (if the device interface specification includes sub-interfaces).

Figure 14-2 Channel Termination



Device Interfaces and Channel Termination

As shown in [Figure 14-2](#), UIM can automatically terminate channels on sub-interfaces of the device interfaces on which a facility is terminated. But for this functionality to work properly, the logical device and device interface hierarchy must be structured to match the channel hierarchy of the facility. The logical devices must include interfaces and sub-interfaces for all the channels that a connectivity can provide, even if you do not plan to use all of the channels.

For T-Carrier and similar technologies, the basic relationship between the device interface hierarchy and the channel hierarchy is very direct. [Figure 14-3](#) illustrates the signal hierarchy for the T-Carrier technology.

Figure 14-3 T-Carrier Signal Hierarchy

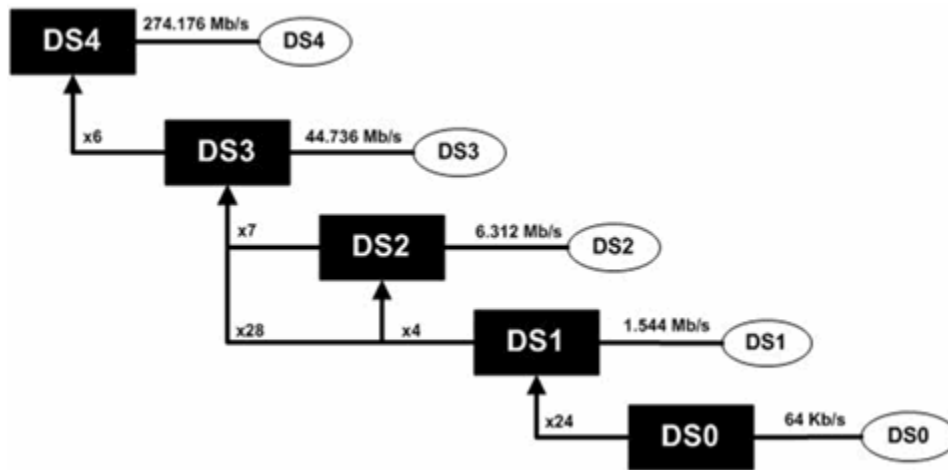
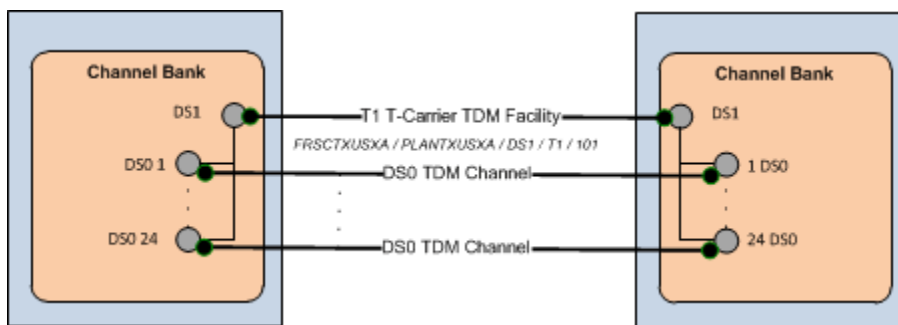


Figure 14-4 illustrates the hierarchy of channels that a connectivity requires to represent a T1 facility. The DS1 device interfaces on which the facility is terminated must include 24 DS0 sub-interfaces on which to terminate the channels.

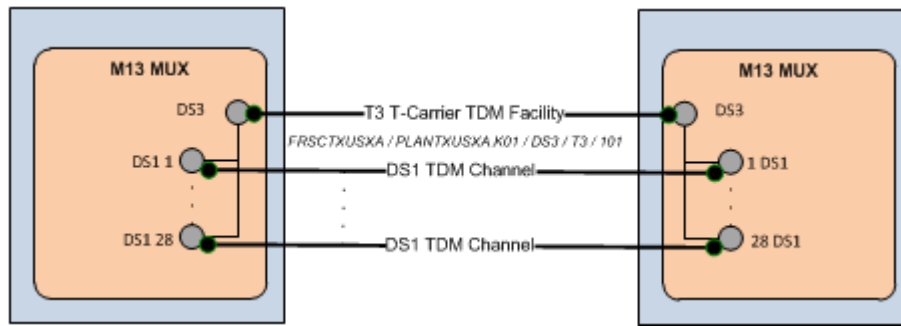
Figure 14-4 DS1 Channel and Device Interface Hierarchy



A T3 scenario is slightly more complicated because a T3 can be multiplexed in two ways. The signal can be multiplexed in two stages into 7 DS2 signals each of which is multiplexed to 4 DS1 signals. Alternatively, the signal can be multiplexed directly to 28 DS1 signals, bypassing the intermediate DS2 signals.

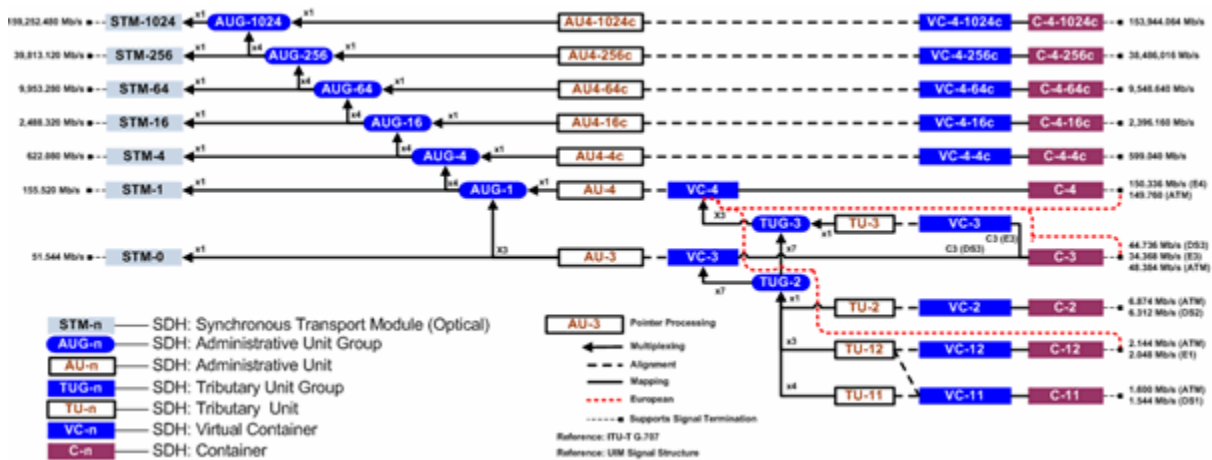
In practice, DS2 is an internal multiplexing function and DS2 signals are not exposed externally. As a result, it is not necessary to include DS2 sub-interfaces when you design a device interface hierarchy for a T3 facility.

Figure 14-5 DS3 Channel and Device Interface Hierarchy



SONET and SDH have more complex signal hierarchies. For example, SDH includes STM-*n*, AUG-*n*, AU-*n*, TUG-*n*, TU-*n*, VC-*n* and C-*n* signals. All of these are included in the UIM signal architecture. Figure 14-6 illustrates the SDH signal hierarchy.

Figure 14-6 SDH Signal Hierarchy

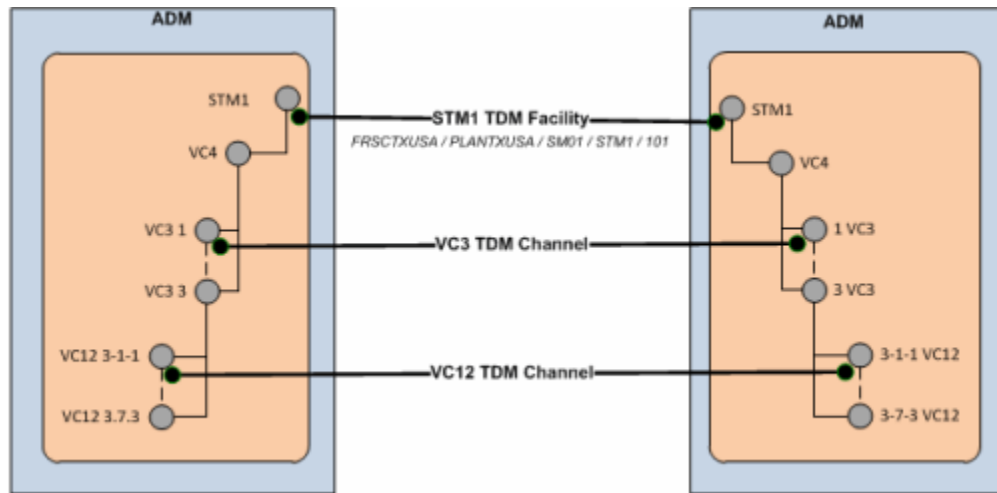


When you set up a hierarchy of device interfaces to support an SDH facility, however, you need to include only the interfaces on which channels are actually terminated. These interfaces include VC4, VC3, VC12, and so on. These are the interfaces that are interconnected to other interfaces when an enabling connectivity is passed through a logical device. Figure 14-7 illustrates the channel and device interface hierarchy for an STM1 facility.

Note:

For visual clarity, some elements of the hierarchy have been omitted.

Figure 14-7 STM1 Channel and Device Interface Hierarchy



In a more complex STM16 scenario, you may need to design the device interface hierarchy to include possible channel signal levels such as VC4-16c and VC-4-4c, even if you do not expect to use them. (If you *definitely* do not plan to use the VC4-x levels you can omit those interfaces.) Figure 14-8 illustrates the channel and device interface hierarchy for an STM16 facility. This example includes VC4 and VC3 channels that are terminated on their respective interfaces.

Relative to the full SDH signal hierarchy, the channel and device interface hierarchy is relatively flat because processing and multiplexing signals are not present as interfaces.

 **Note:**

For visual clarity, some elements of the hierarchy have been omitted.

Figure 14-8 STM16 Channel and Device Interface Hierarchy

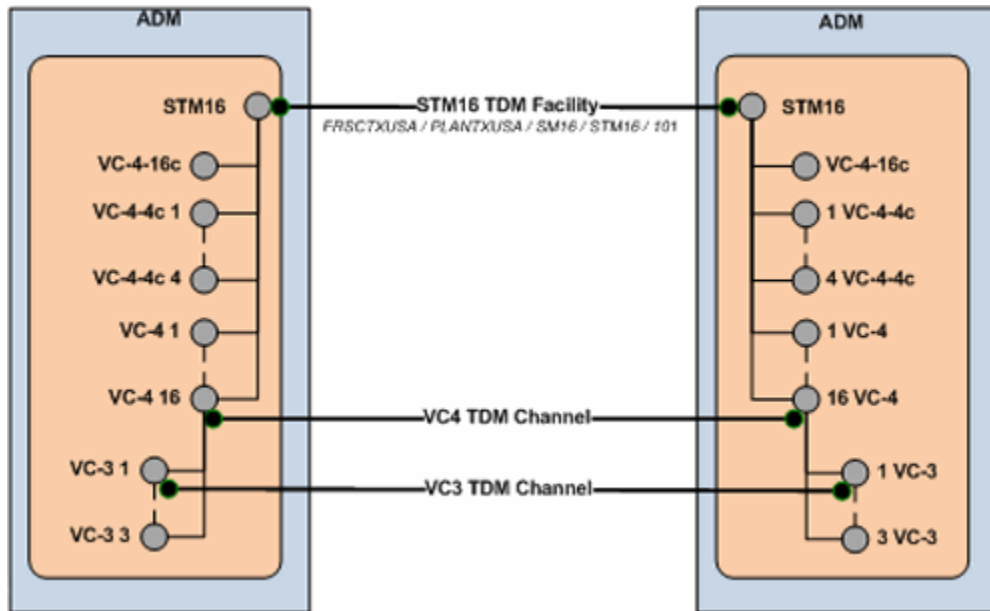


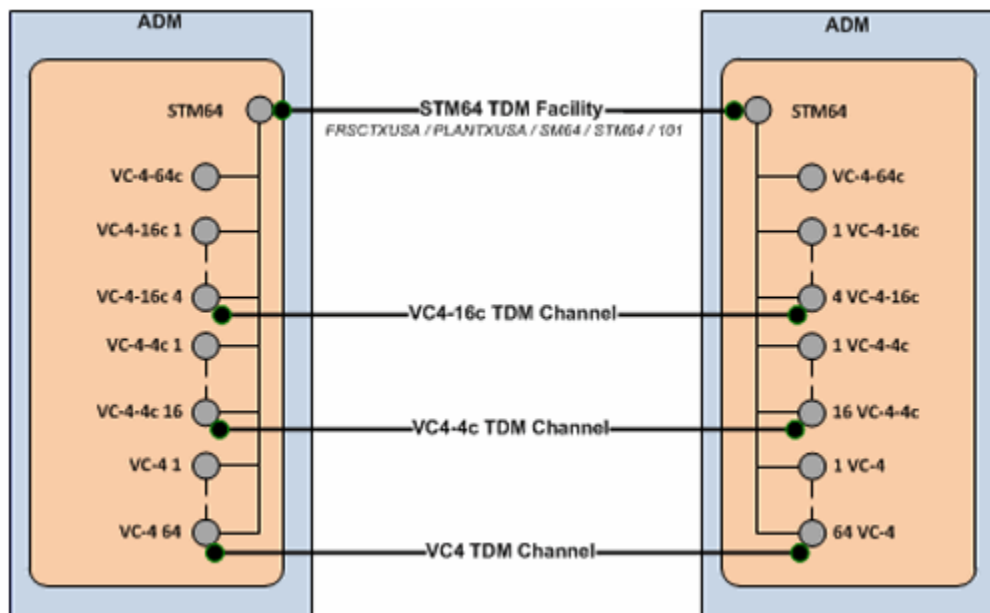
Figure 14-9 illustrates an even more complex STM64 example with VC4-16c, VC-4-4c and VC4 channels terminated on their respective interfaces.



Note:

For visual clarity, some elements of the hierarchy have been omitted.

Figure 14-9 STM64 Channel and Device Interface Hierarchy



About the UIM Signal Architecture

In both Pipe entities and Connectivity Entity entities, a signal structure defines the multiplexing hierarchy that allows a signal to be broken into lower-data-rate channels. A signal structure is defined through a hierarchy of signal specifications that defines the multiplexing hierarchy of pipe or channelized connectivity. See "[Understanding Signal Structures](#)" for more information about signal structures.

For Connectivity entity entities, signal structures are defined by a set of Oracle-provided specifications known as the UIM signal architecture. The signal architecture determines the multiplexing options when you configure channels for a channelized connectivity.

The rate code associated to a channelized connectivity determines the Connectivity Signal Termination Point specification for the facility (root) signal in the signal hierarchy. Connectivity Signal Termination Point specifications and Processing Signal specifications are hierarchically related in the UIM signal architecture to define the multiplexing options for the facility signal. You configure the channels of the channelized connectivity based on the multiplexing options defined by the signal architecture. Based on your configuration choices, UIM creates a signal structure that includes entities representing the signals. The signal hierarchy is displayed in the **Channels** tab for the channelized connectivity.

The signal architecture also defines compatible signal relationships that enable channelized connectivity to be transported on the channels of SONET and SDH facilities. The rate code of the transported connectivity can differ from the rate code of its assigned channel as long as the channel's signal is compatible with the signal of the connectivity that rides the channel. For example, in SONET, the VT-1.5 SPE channel signal, which has a VT1.5 rate code, is compatible with a DS1 signal. That means that a channelized connectivity with a DS1 rate code can ride a VT-1.5 channel on a SONET facility, such as an OC-3 facility.

The signal architecture is supplied in the ora_uim_basetechnologies cartridge. You can view the contents of this cartridge in Design Studio, but you cannot change it or add specifications. See the Design Studio for UIM Help for more information.

See "[E-Carrier Signal Architecture](#)" and "[SONET Signal Architecture](#)" for two examples. See *UIM Information Model Reference* for detailed information about the specifications, entities, and relationships involved in the signal architecture.

E-Carrier Signal Architecture

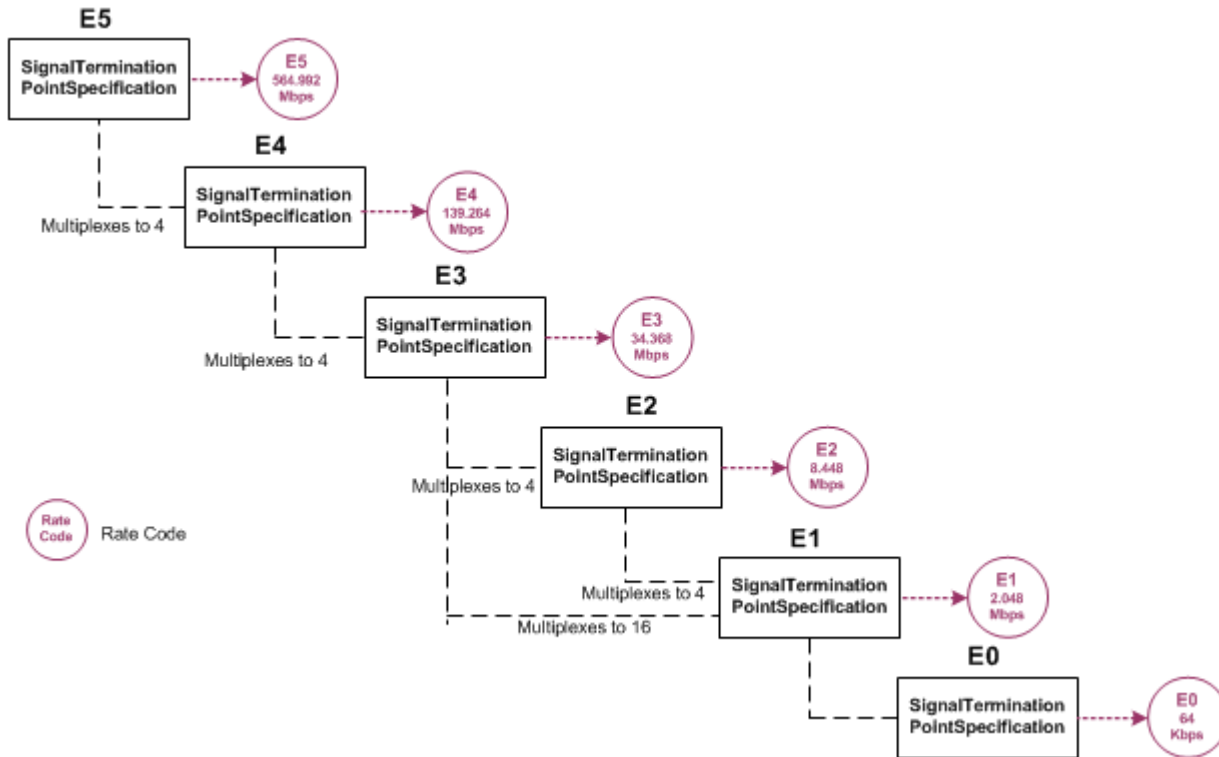
The E-Carrier signal architecture includes six Signal Termination Point specifications (E5 through E0). Each of these specifications is associated to a rate code that identifies the technology and bit rate for the signal.

With the exception of the E3 signal, each E-Carrier signal can be channelized only to the signal below it in the hierarchy. For example, an E4 transmission facility can only have four E3 channels.

An E3 signal can be multiplexed in two ways: it can multiplex to either four E2 signals or sixteen E1 signals. The signal multiplexes directly from the E3 to the E1 signal without including E2 signals.

Figure 14-10 illustrates the hierarchy of specifications that comprise the E-Carrier signal architecture.

Figure 14-10 E-Carrier Signal Architecture



When you associate a rate code to a Connectivity entity, you determine the signal that applies to the facility represented by the entity and also determine its multiplexing options. For example, if you create a Connectivity entity with the E4 rate code, the facility can be multiplexed only to E3 channels.

SONET Signal Architecture

SONET is a multiplexing technology that enables a carrier signal to transport lower-rate traffic from a variety of sources within one transmission frame.

The signal architecture for SONET includes optical carrier Signal Termination Point specifications that define facility signals such as OC-1 and OC-3. The signal architecture also includes corresponding rate codes that you can associate to Channelized Connectivity entities to define their facility signals and signal structures. Channel signals are defined by STS-*n* SPE (synchronous payload envelope) and VT-*n* SPE specifications.

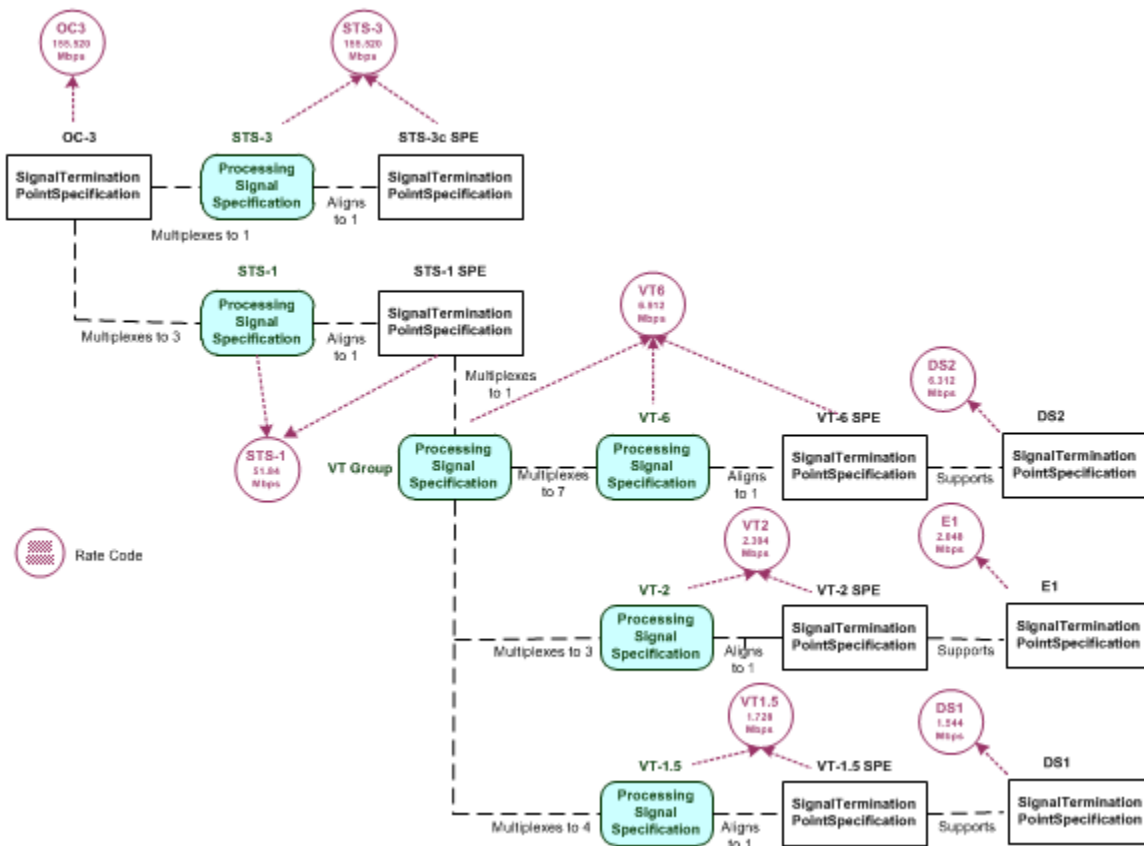
The SONET technology uses processing signals to multiplex and align other signals. The signal architecture includes three Processing Signal specifications:

- Synchronous Transport Signals (STS-*n*)
- Virtual Tributary Group (VT Group)
- Virtual Tributary (VT-*n*)

STS-3 and STS-1 signals can serve as both facility signals and processing signals. They are facility signals when used directly on a channelized connectivity. They are processing signals when they multiplex from an OC-*n* or another STS-*n* signal. The signal architecture includes specifications for these signals as both Signal Termination Point and Processing Signal specifications.

Figure 14-11 shows the UIM entities and relationships that comprise an OC-3 signal structure. This is the signal structure that is associated to a channelized connectivity when you assign it the OC-3 rate code. See *UIM Information Model Reference* for more information.

Figure 14-11 OC-3 Signal Structure



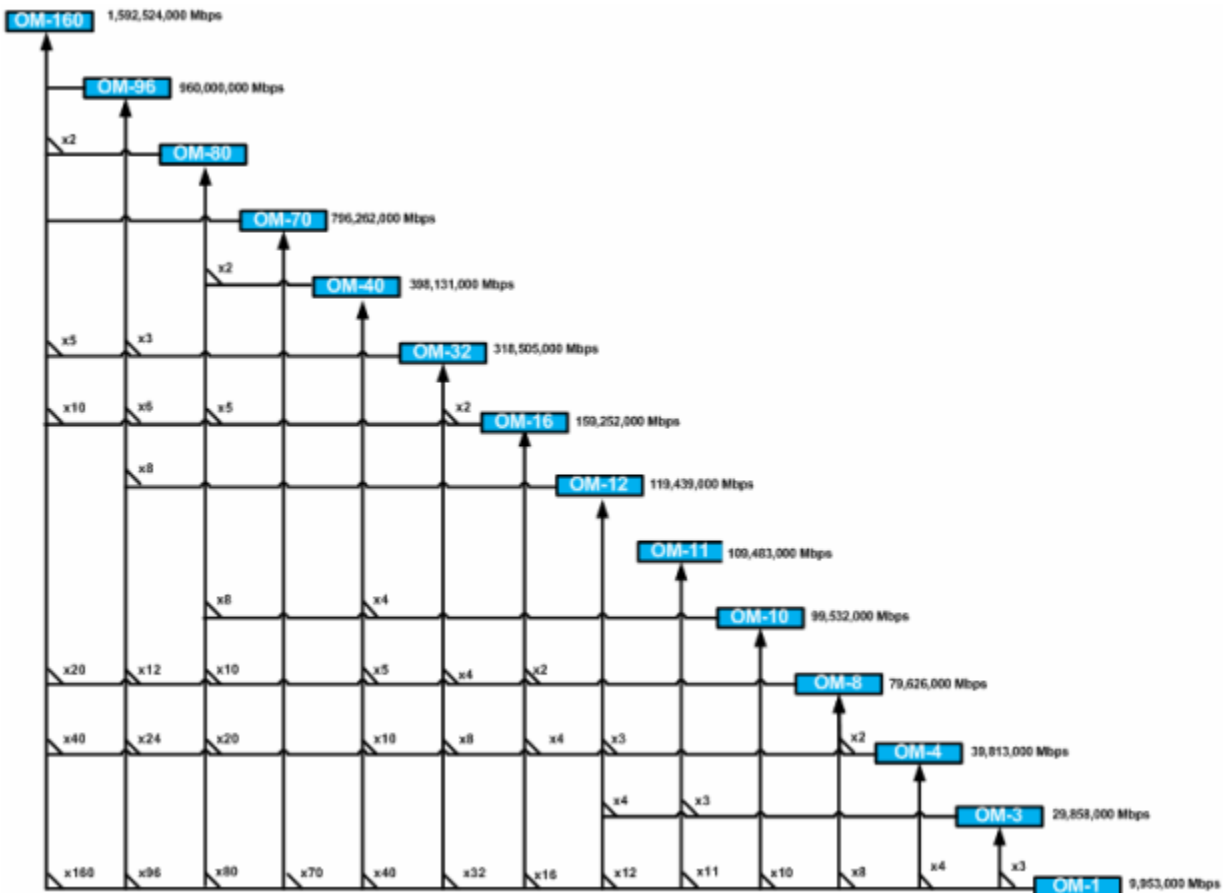
Wavelength Division Multiplexing Signal Architecture

Wavelength Division Multiplexing (WDM) is an optical technology used to increase bandwidth over existing fiber optic backbones. WDM works by combining and transmitting multiple signals simultaneously at different wavelengths on the same fiber. WDM-based networks can transmit data in SONET, SDH, or Ethernet, and can handle the latest bit rate speeds.

UIM supports WDM as channelized connectivity, including the ability to carry SONET, SDH, and Ethernet in WDM channels. The `ora_uim_basetechnologies` cartridge defines the signal hierarchy and rate codes supported by WDM. It also defines compatibility between WDM rate codes and other rate codes.

You can create WDM channelized connectivities with rate codes from OM160 through OM4. The signal architecture defined by the WDM cartridge determines how connectivities can be channelized. Figure 14-12 illustrates the WDM signal architecture. For example, the illustration shows that an OM-32 connectivity can be channelized as 2 OM-16 channels, 4 OM-8 channels, 8 OM-4 channels, or 32 OM-1 channels.

Figure 14-12 WDM Signal Architecture



You can use WDM channels to enable other connectivities. For example, you can enable an OC192 SONET facility with an OM1 (10 Gbps) channel or a 100 Gbps Ethernet pipe with an OM10 channel.



Note:

Only a TDM facility with a transmission signal type of Optical can be enabled with a WDM channel.

Optical Transport Network Signal Architecture

Optical transport network (OTN) is a series of standards created to combine the benefits of SONET/SDH with the bandwidth-expanding capabilities of Wave Division Multiplexing

(WDM). This combination makes it possible to build more network functionality into optical networks. OTN is able to carry many types of data, including 100 GigE signals.

OTN includes two sets of information structures: Optical Transport Unit (OTU) and Optical Data Unit (ODU). OTUs are channelized into ODUs. Figure 14-13 illustrates the OTN signal structure.

Figure 14-13 OTN Signal Architecture

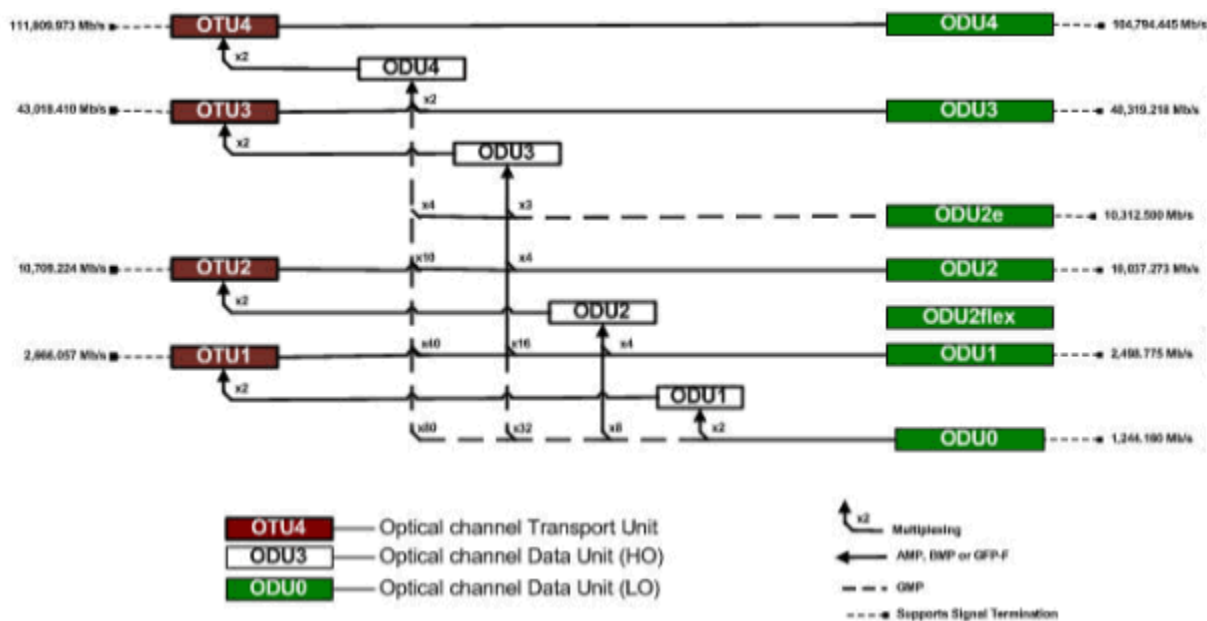


Table 14-1 lists the signals supported by ODU channels.

Table 14-1 ODU Channel Signal Support

ODU Channel	Supported Signals
ODU0	1GigE, STM-1, STM-4, OC-3, OC-12, FC1G
ODU1	1GigE, STM-1, STM-4, STM-16, OC-3, OC-12, OC-48, FC2G
ODU2	10GigE, STM-64, OC-192
ODU2e	10GigE, FC10G
ODU3	40GigE, STM-256, OC-768 40GigE
ODU3e2	ODU2e
ODU4	100GigE

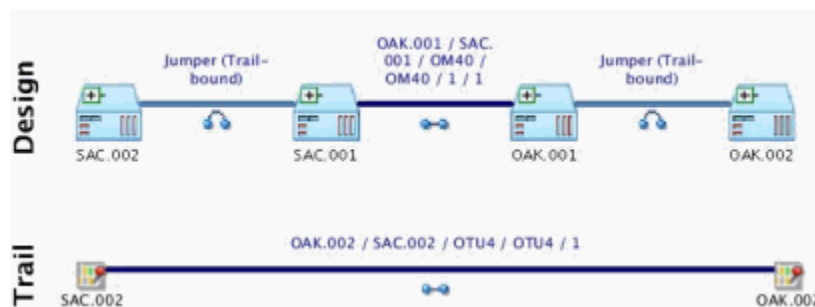
OTN Example

This example illustrates the use of an OTN to enable a 1GigE Ethernet connectivity. The Ethernet connectivity is enabled by an ODU1 channel in an OTU4 facility. The OTN connectivity is itself enabled by an OM10 channel from an OM40 WDM facility. Figure 14-14 and Figure 14-15 show the schematic view of the Connectivity Design tabs of the Ethernet and WDM connectivities.

Figure 14-14 Schematic View of 1GigE Connectivity Enabled by OTN Connectivity



Figure 14-15 Schematic View of OTU4 Connectivity Enabled by WDM Connectivity



Configuring Connectivity Capacity

The signal structure of a channelized connectivity is determined by the rate code you assign it. In cases where there are no options about channelization, the first level of channels is created automatically. For example, if you create an E4 connectivity, four E3 channels are created automatically.

For rate codes that include multiple possible signal structures and for channels below the first level in all signal structures, you must configure the capacity of the Channelized Connectivity entity. For example, if you create a DS3 connectivity, you must choose whether to configure the signal structure to include DS2 channels or to skip that level and include DS1 channels directly below the DS3.

You view and configure the signal structure of a Channelized Connectivity entity in the **Capacity** tab of the Connectivity Details page. Figure 14-16 shows the **Capacity** tab of a DS3 connectivity that has been multiplexed to 28 DS1 channels. (Only eight of the channels are visible in the illustration.)

Unlike changes you make in the **Connectivity Design** tab, you must explicitly save your changes in the **Capacity** tab. The signal structure is created only when you save.

See the UIM Help for more information about how to use the **Capacity** tab.

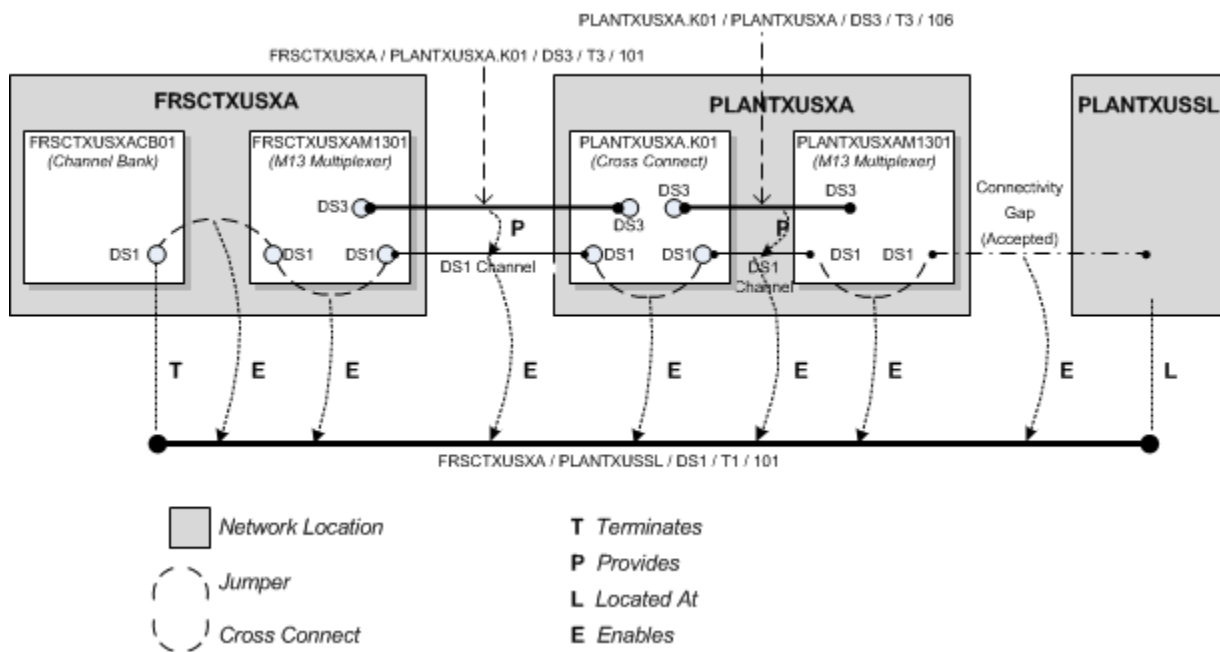
Figure 14-16 DS3 Connectivity in Capacity Tab



Terminating and Enabling a Channelized Connectivity

Figure 14-17 illustrates a channelized connectivity that is enabled by several different kinds of resources.

Figure 14-17 Enabled Channelized Connectivity



In this example, the FRSCXUSXA / PLANTXUSSL / DS1 / T1 / 101 facility is terminated on a device interface in a channel bank located at the network location

FRSCTXUSXA. Seven segments are required to complete the end-to-end connectivity path:

1. A jumper interconnects a DS1 interface on the FRSCTXUSXACB001 channel bank to a DS1 interface on the drop side of the FRSCTXUSXAM1301 multiplexer. The jumper is trail-bound because it was created as part of the connectivity design.
2. A cross-connect interconnects the DS1 interface on the FRSCTXUSXAM1301 multiplexer to a DS1 interface provided by a DS3 interface on the line side of the same device. This cross-connect is interface-bound because it is considered to be manufactured into the device.
3. A DS1 channel provided by a DS3 channelized connectivity runs from the FRSCTXUSXAM1301 multiplexer to a DS1 interface (DS1-3) provided by a DS3 interface on the PLANTXUSXA.K01 digital cross-connect system. The PLANTXUSSL network location in this example identifies a service location where the DS1 facility is terminated on a customer-owned device.
4. A trail-bound cross-connect interconnects the DS1-3 interface to the DS1-14 interface provided by another DS3 interface on the opposite side of the PLANTXUSXA.K01 device.
5. A DS1 channel provided by the PLANTXUSXA.K01 / PLANTXUSXA / DS3 / T3 / 106 facility connects the digital cross-connect to a DS1 interface provided by a D3 interface on the drop side of the PLANTXUSXAM1301 multiplexer.
6. An interface-bound cross-connect connects the drop-side interface to a line-side interface on the PLANTXUSXAM1301 multiplexer.
7. An accepted connectivity gap runs from the PLANTXUSXAM1301 multiplexer to PLANTXUSSL. This segment is treated as an accepted connectivity gap because the customer-owned device and cable pairs running to it from the PLANTXUSXA location are not inventoried.

About Virtual Connectivity

UIM supports virtual connectivity and termination. You can create Channelized Connectivity entities with VC4, VC3, VC2, VC11, and VC12 rate codes.

A connectivity is considered virtual when it terminates on the sub-interfaces of the device interface on which its parent facility is terminated rather than on its own device interface.

For example, a VC4 facility is used to abstract out the optical physical transport of traffic between two points in an SDH network. A VC4 facility effectively delivers a 155 Mb connectivity. This connectivity can be configured to carry lower-order traffic within lower-order containers (C4, C3s, and C12s) to deliver E4, E3, and E1 services.

VC4 connectivities are used extensively in SDH networks to provide logical connectivity. A large part of SDH capacity planning is determining VC4 network location-to-location routes and monitoring the utilization levels of those routes. High utilization levels of the 63 lower-order (VC12) channels within VC4s is the main driver for deciding that a new VC4 path is required.

You can configure VC4 and VC3 connectivities to provide capacity at other levels. VC2, VC11 and VC12 connectivities have single-channel structures defined by the UIM signal architecture.

You can use gap analysis for VC n connectivities.

Note:

You cannot use a single channel of a facility to enable a connectivity when all three share the same rate code. For example, a VC4 channel provided by a VC4 facility cannot be used to enable another VC4 connectivity.

Virtual Termination

UIM supports the virtual termination of connectivities on device interfaces that already have channel terminations. Connectivities can be virtually terminated on the same device interfaces that already terminate its enabling channels. A connectivity that has a single default channel with the same rate code as its parent can be terminated on the same device interface that its parent is terminated on.

For example, virtual termination can be used when a DS1 facility rides a DS1 channel from a DS3 facility. (See Figure 14-18.) The DS1 facility is virtually terminated on the same DS1 interfaces used to terminate its enabling DS1 channel. A DS0 channel provided by the DS1 facility is automatically terminated on a sub-interface. The DS0 channel termination is required to create a cross-connect that is part of the enablement of a DS0 service trail.

Figure 14-18 Virtual Termination on a DS1 Facility

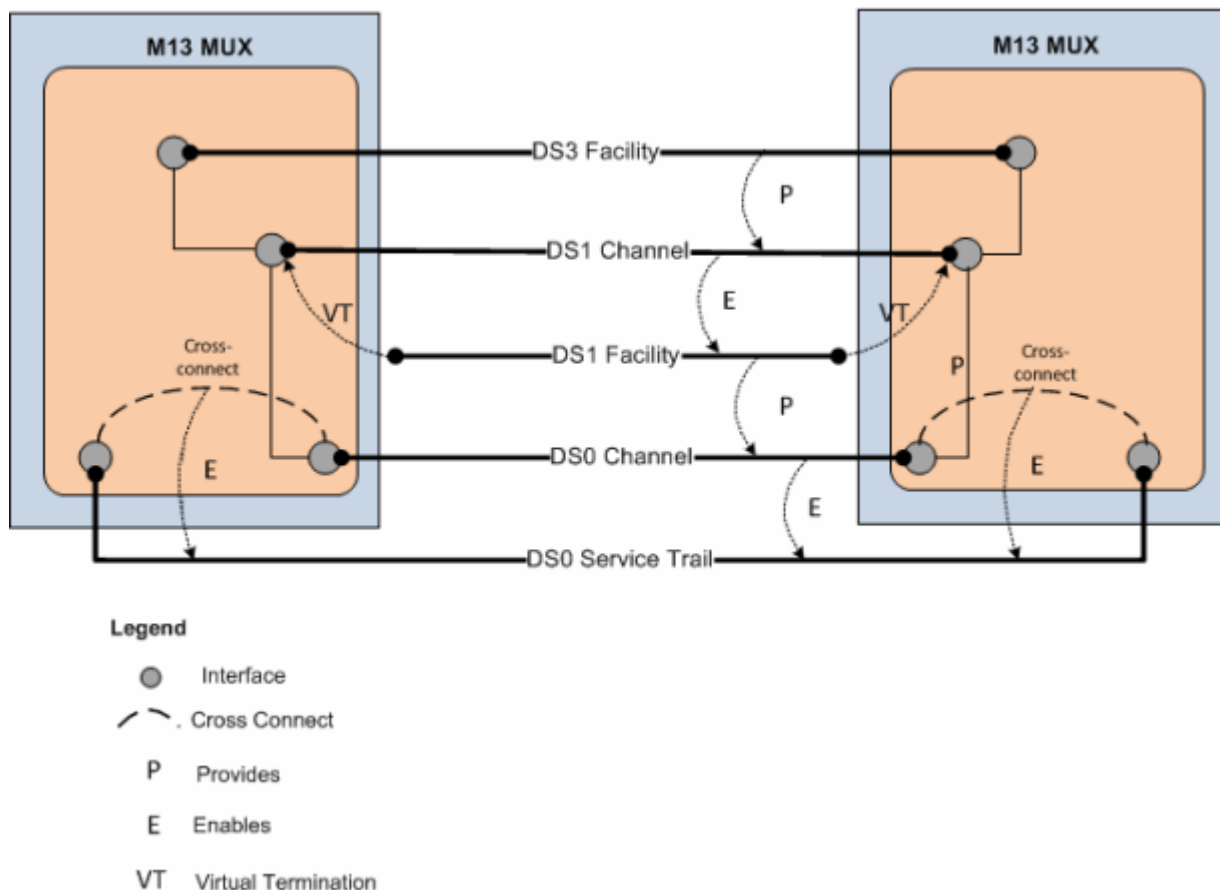
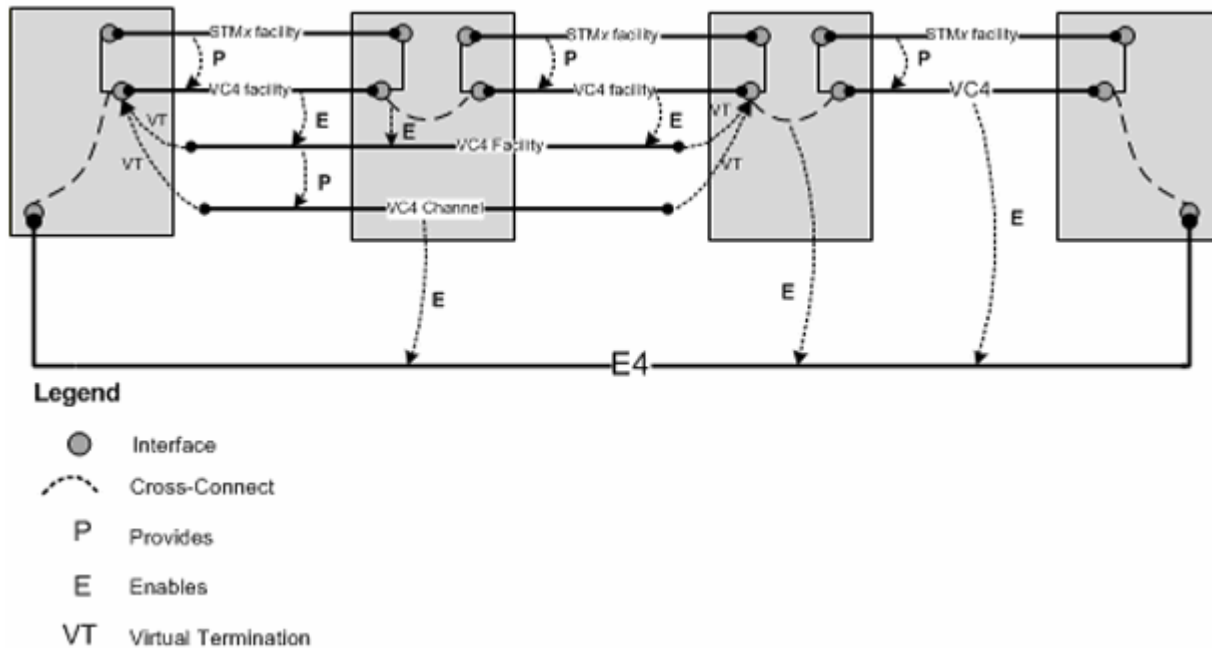


Figure 14-19 provides a simplified view of a STMx facility providing VC4 channels that enable a VC4 facility. The VC4 facility is virtually terminated on the same sub-interfaces that already terminate the enabling VC4 channels.

The VC4 facility is configured to have a single VC4 channel that enables an E4. Because this single channel has the same rate code as its parent facility, it is virtually terminated on the same sub-interfaces.

Figure 14-19 Virtual Termination on a VC4 Channel



Maintaining Channelized Connectivity and Network Resources

UIM provides features for optimizing network resource utilization by maintaining channelized connectivity and reconfiguring network topology:

- You can groom a connectivity to change the riders that consume its channels. For example, in an OC3 facility, you can move a DS1 rider from one VT 1.5 channel to another within the facility or to a VT 1.5 channel in another facility.
- You can rehome a channelized connectivity to change its termination. For example, you can move the termination of a DS3 facility from one device interface to another. The source and target device interfaces can be on the same device or on different devices, either at the same location or at different locations. Termination changes can result in changes to channel assignments, so a grooming activity can be required as the result of rehoming. See "[About Rehoming](#)" for more information.
- In a network, you can insert a new node that represents a logical device into the middle of an edge that represents a channelized connectivity. UIM automatically creates new connectivities, manages the termination changes, and manages channel reassignments. See "[Inserting and Removing Nodes in Networks](#)" for more information.
- In a network, you can remove a node that represents a logical device on which two connectivities are terminated. UIM changes terminations and reassigns riders to a

connectivity that replaces the two that were previously terminated on the removed device. See "[Inserting and Removing Nodes in Networks](#)" for more information.

You plan and manage these maintenance activities as parts of *projects*. For example, you can define a project for all the grooming and rehome activities related to a particular network infrastructure change. When you submit an activity in a project, UIM processes it in the background and returns the results. See "[Projects](#)" for more information.

 **Caution:**

While an activity is being processed, you should avoid making changes to entities that might be modified by the activity. Changes could result in processing failure.

Project Activities Page Overview

You work on network maintenance activities in the **Project Activities** tab. The **Project Activities** tab includes a list in which you add and manage maintenance activities. When you select a maintenance activity in this list, you see a specialized area for that type of activity. For example, when you select a rehome activity, you see a section in which you select a source logical device and a section in which you select the target logical device. After you have made these selections, you select a connectivity to rehome to the target.

After you have configured an activity, the **Project Activities** tab displays the specific actions that must be completed for the activity. Each change item includes an entity and the action that must be completed.

When you have finished configuring an activity, you can submit it for processing. You can submit activities one at a time or in groups. UIM processes activities in the background and reports its progress in the Percent Complete column in the **Activities** tab. When you submit multiple activities, UIM processes them sequentially.

The interval at which UIM refreshes the Percent Complete columns in the Activities tab and Change items tab is configurable. The default interval is 15 seconds. See *UIM System Administration* for information about setting the interval.

The Project Details page has a **Project Activities** tab that contains several activities in various statuses. A Rehome activity is selected, so Source and Target appear. The **Change Items** tab lists the connectivities affected by the rehome and the actions that will be completed. The **Impact Items** tab is populated as the change items are processed.

About Change Items and Impact Items

When you configure an activity, UIM determines which entities must be changed as a direct result of the activity and what actions must be completed. The combination of an entity and an action is called a *change item*. The change items for an activity are displayed in the **Change Items** tab of the Project Details page when the activity is selected.

When you submit an activity, UIM processes its change items sequentially. During processing, UIM creates impact items, which are combinations of entities and actions

that must be completed to make it possible to complete change items. Because impact items are not known until processing begins, they are displayed only after the activity is submitted. Impact items are displayed in the **Impact Items** tab as they are created.

Figure 14-20 shows the **Change Items** and **Impact Items** tabs for a grooming activity that reassigned a T1 facility from one channel of a T3 facility to another channel in the same facility. A connectivity gap results from this change, as shown in the **Impact Items** tab. The Parent Change Item column refers to the change item that generated the impact item.

In this case, UIM was able to resolve the gap successfully. If UIM could not resolve the gap, the action would be shown in In Progress status and you would need to resolve the gap manually.

Figure 14-20 Change Items and Impact Items Tabs

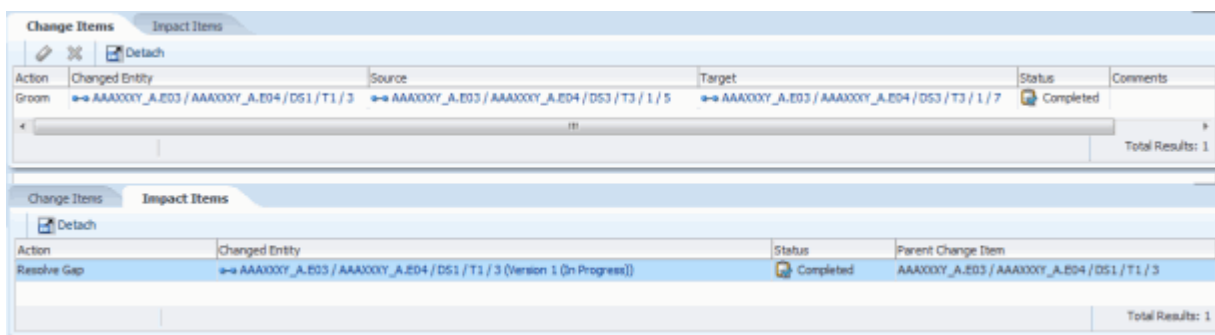


Table 14-2 lists all of the actions that can be taken on entities as part of change items and impact items.

Table 14-2 Activity Item Actions

Activity Item Action	Description
Groom	Re-route traffic riding a connectivity.
Rehome	Change a connectivity design at an endpoint.
Insert Node	Insert a node that represents a logical device into a network
Remove Node	Remove a node that represents a logical device from a network.
Insert Device	Insert a logical device into a connectivity design.
Remove Device	Remove a logical device from a connectivity design.
Replace Edge	Replace one network edge with another network edge.
Resolve Gap	Fill a gap in a connectivity design by adding a channel assignment, cross connect, or jumper.
View Design	Viewing the connectivity design related to an Activity Item.
Terminate	Define the end point of the connectivity. For example, a connectivity can be terminated on a device interface.
Untermiante	Remove the end point of the connectivity, such as the device interface on which the connectivity is terminated.

About Connectivity Design Versions and Grooming and Rehoming

When you groom or rehome a connectivity, a new connectivity design version is created in some cases:

- If the connectivity design is completed before grooming or rehoming and there is no in-progress version, a new in-progress version is created. The changes required by the grooming or rehoming activity occur in this version. If no unresolved gaps result from the activity, the version is completed automatically. If unresolved gaps remain after the grooming or rehoming, the new version remains in In Progress status.
- If the connectivity has an in-progress design version before grooming or rehoming, that version is used for the changes. This version is not completed automatically as part of the grooming or rehoming activity.

See "[About Design Versions](#)" for more information.

About Grooming

When you groom a connectivity, you change the assignments of its channels. For example, when you groom an OC3 facility, you can move a DS1 rider from one VT 1.5 channel to another within the same facility or to a VT 1.5 channel in another facility.

These design changes involve unassigning riders from one or more channel segments along with related gaps, jumpers, and cross-connects. Riders are then reassigned to new channels. Grooming does not involve changing connectivity termination (rehoming) except in the case of virtual termination.

Grooming often occurs because of network changes that make new routes available or make old routes inefficient. For example, if new devices are added to a network, an existing route may now have an unacceptable number of hops. Planning and management processes can discover these situations and recommend more efficient routing to be implemented by grooming.

Grooming is *intra-facility* when the new channel assignments are in the same bearer facility as the old channel assignments or *inter-facility* when the new channel assignments are in a different bearer facility from the old channel assignments.

Grooming can move a rider from one bearer to two bearers. For example, if you add device C between existing devices A and B, two new segments are created (A-C and C-B). You can groom a connectivity that was riding channels in the original A-B segment to ride channels in the newly created segments instead. (UIM can automatically perform this grooming activity when you insert new network nodes. See "[Inserting and Removing Nodes in Networks](#)" for more information.)

Grooming a virtual path connectivity can cause changes to virtual termination if the changes include the first or last segment in the design.

Before you groom a connectivity, you must ensure that the connectivities are properly designed and terminated and that the target connectivity has enough capacity to accommodate all riders that are reassigned to it.

Grooming Scenario: Inter-Facility

This scenario illustrates an inter-facility grooming activity in which two connectivities are re-assigned from channels in one facility to channels in another facility.

Figure 14-21 illustrates the scenario before grooming takes place. Two T1 connectivities (FRSCTXXA / PLANTXXA / DS1 / T1 / 101 and FRSCTXXA / PLANTXXA / DS1 / T1 / 102) are riding channels provided by the ALLNNTXXA / FRSCXXA / DS3 / T3 / 101 facility. To free capacity, the T3 facility is groomed to reassign the T1 connectivities to channels provided by a different facility (ALLNNTXXA / FRSCXXA / DS3 / T3 / 102). Note that the T1 facilities are enabled in part by cross-connects from the FRSCTXXAM01 MUX to channel banks at the same location.

Figure 14-21 Intra-Facility Grooming: Before

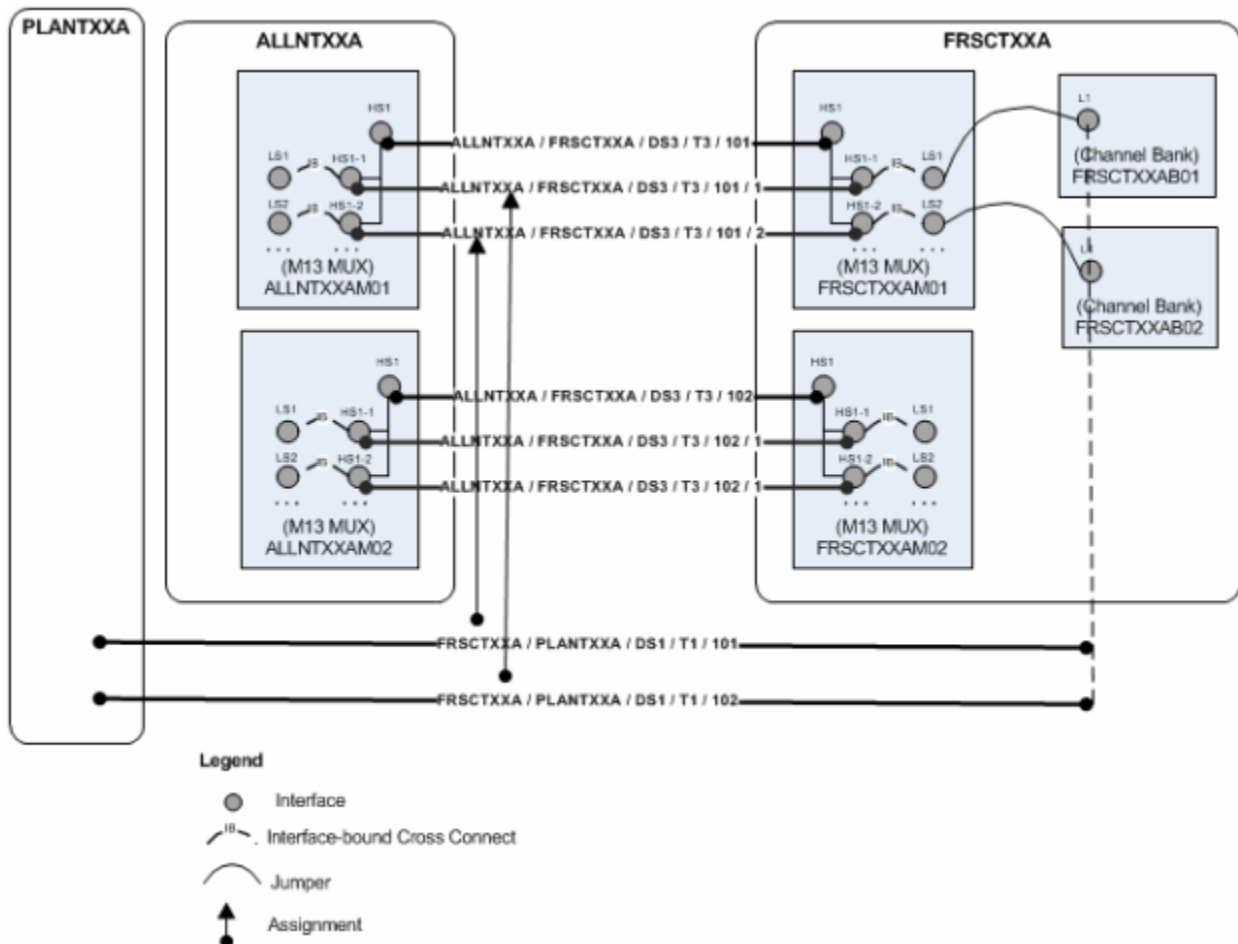
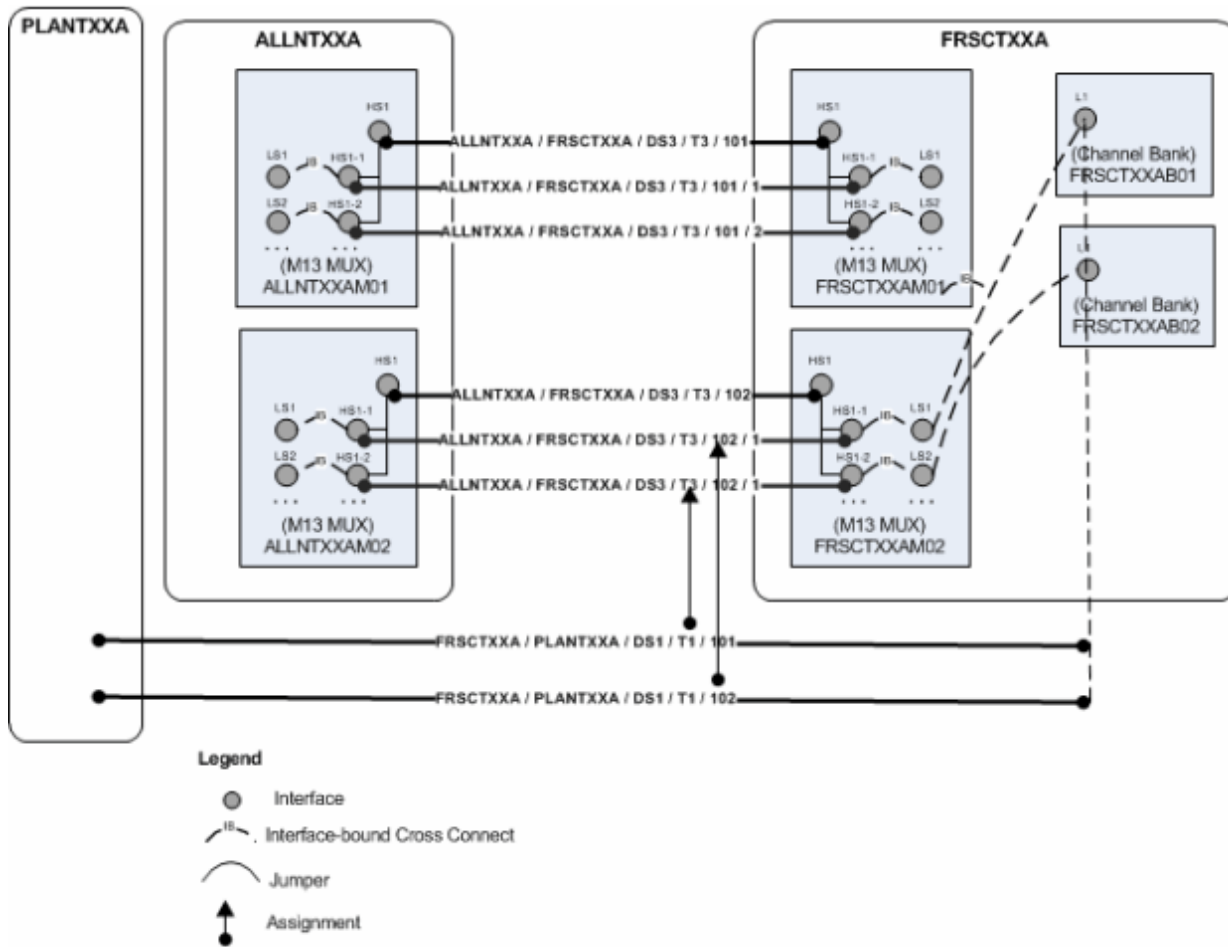


Figure 14-22 illustrates the results of the grooming activity. The channel reassignments have occurred. The new channels are terminated on a different MUX, so UIM has added cross-connects to join the interfaces on the MUX to the channel banks on which the T1s are terminated.

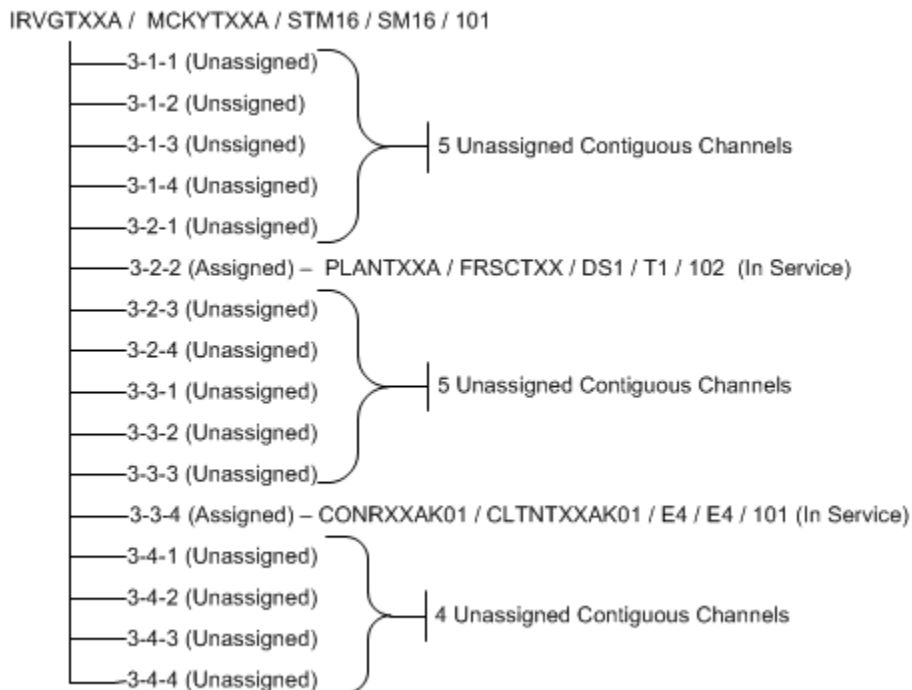
Figure 14-22 Inter-Facility Grooming: After



Grooming Scenario: Intra-Facility Grooming for Ethernet Over SDH

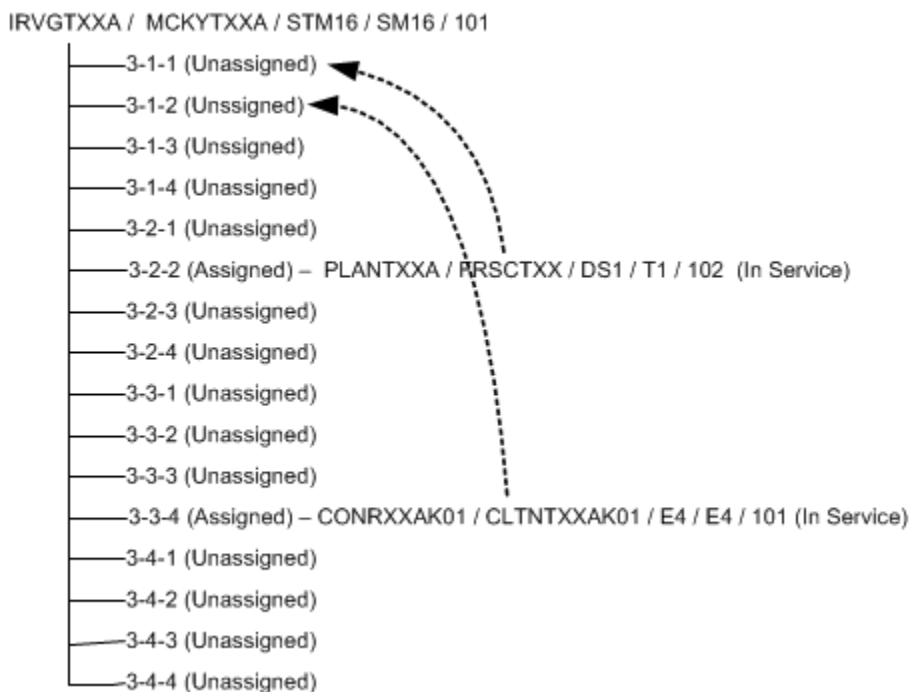
In this scenario, a new 1 Gbps Ethernet connection will be enabled by an existing SDH STM16 facility (represented in UIM as a channelized connectivity). This arrangement requires the use of 7 VC4 channels, each providing a bandwidth of 155.520 Mbps. To deliver the bandwidth, the channels must be concatenated virtually. This virtual concatenation scenario requires that the channels be contiguous in the SDH facility. The available capacity in the STM16 facility is more than the required 1 Gbps, but 7 contiguous VC4 channels are not available because of fragmentation. Figure 14-23 illustrates an STM16 facility in which two channels (6 and 12) are currently assigned. There are 14 unassigned channels, but only 5 contiguous channels are available.

Figure 14-23 Intra-Facility Grooming: Before



To free the required number of contiguous channels, the STM16 facility must be groomed. The channel assignments of the two E4 connectivities must be moved to make 7 contiguous channels available. The required changes are illustrated in [Figure 14-24](#).

Figure 14-24 Intra-Facility Grooming: Required Changes



With these changes, a large contiguous block of channels becomes available, making it possible to assign them to the Ethernet pipe. [Figure 14-25](#) illustrates these assignments.

Figure 14-25 Intra-Facility Grooming: After



To reassign the two connectivities to different channels within the STM16, UIM must also reassign any cross-connects, jumpers, or gaps in the connectivity design.

Grooming Scenario: 2:2 Inter-Facility

You can groom multiple facilities simultaneously to reassign trails that are enabled by them. For example, a single service trail could be enabled by two separate connectivities along with cross-connects between interfaces that terminate them.

Figure 14-26 illustrates such a scenario. The FRSTXXA/PLANTXXA/DS1/T1/1 connectivity is a service trail that is enabled by channels provided by the ALLNTXXA/FRSTXXA/DS3/T3/1 and ALLNTXXA/PLANTXXA/DS3/T3/1 facilities. The existing multiplexers that terminate these facilities could be reaching their capacity, so you may need to groom the facilities to reassign their riders to channels on other facilities.

Figure 14-26 2:2 Inter-Facility Grooming: Before

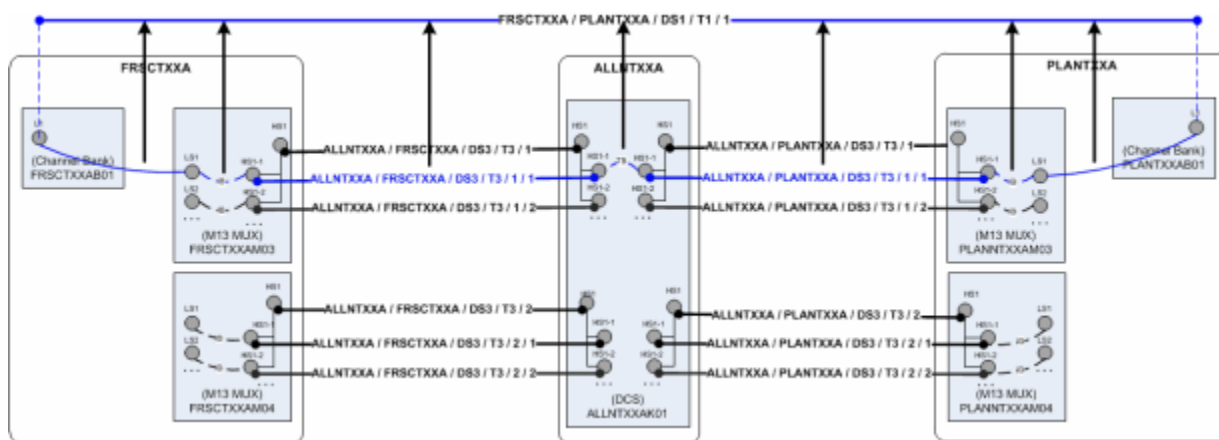
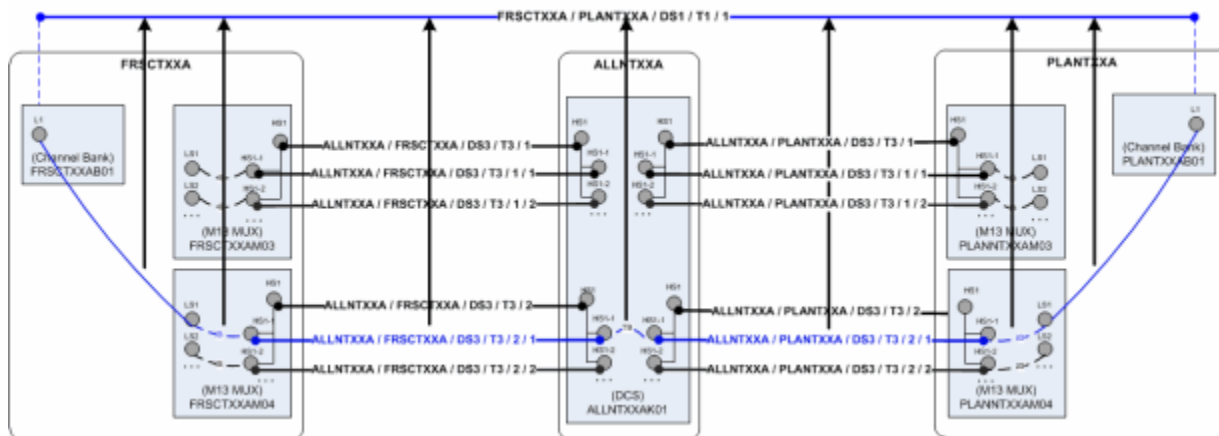


Figure 14-27 illustrates the situation after grooming has taken place. FRSTXXA/PLANTXXA/DS1/T1/1 is now enabled by channels on other multiplexers at the same network locations and by interface-bound cross-connects between interfaces. UIM has automatically created a trail-bound interface between interfaces on the ALLNTXXK01 DCS. (The trail-bound cross-connect used to enable the trail previously has been removed.)

Figure 14-27 2:2 Inter-Facility Grooming: After



To perform 2:2 (or *n:n*) grooming in UIM, you can select multiple facilities when you configure a grooming activity. See "[About the Grooming User Interface](#)" and the UIM Help for more information.

About the Grooming User Interface

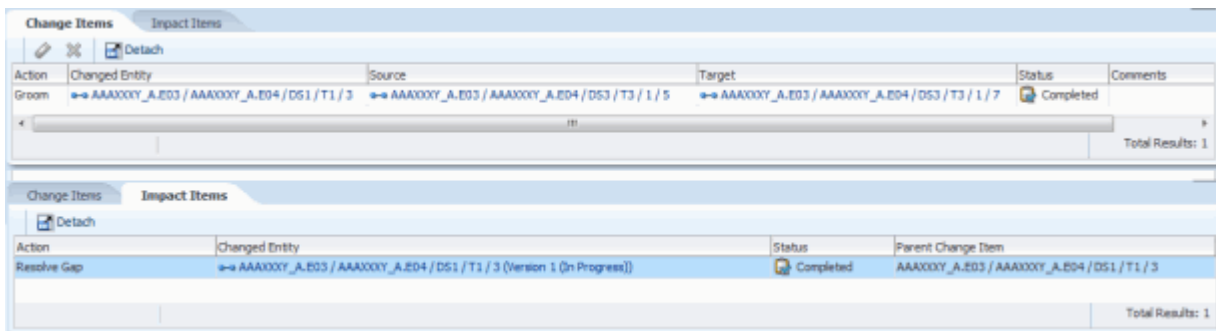
You plan and manage grooming in the **Activities** tab of the Project Summary page. When you create or select a grooming activity, you see the Groom section. The Groom section allows you to select the source (the connectivity you are grooming) and the target (the connectivity to which you want to reassign channel riders).

After selecting the source and target connectivities, you use the Groom Connectivities Source and Target tree views to configure the grooming activity. You drill down through the source connectivity's channel hierarchy to select the channels whose riders will be reassigned. You then drill down through the channel hierarchy of the target connectivity to select the new enabling channels. You can select multiple channels to reassign in the same activity. Based on your selections, UIM populates the Proposed Changes table with a list of the entities that will be changed to complete the grooming activity.

When you have finished configuring the grooming activity, click **Add to Groom**. The **Change Items** tab in the Project Details page is populated with a list of entities that will change and the actions that will be taken on them. These change items correspond to the changes displayed in the Proposed Changes section in the Groom Connectivities dialog box.

[Figure 14-28](#) shows the **Change Items** and **Impact Items** tabs for a grooming activity that reassigned a T1 facility from one channel of a T3 facility to another channel in the same facility. A connectivity gap results from this change, as shown in the **Impact Items** tab. In this case, UIM was able to resolve the gap successfully. If UIM could not resolve the gap, the action would be shown in In Progress status and you would need to resolve the gap manually.

Figure 14-28 Change Items and Impact Items Tabs



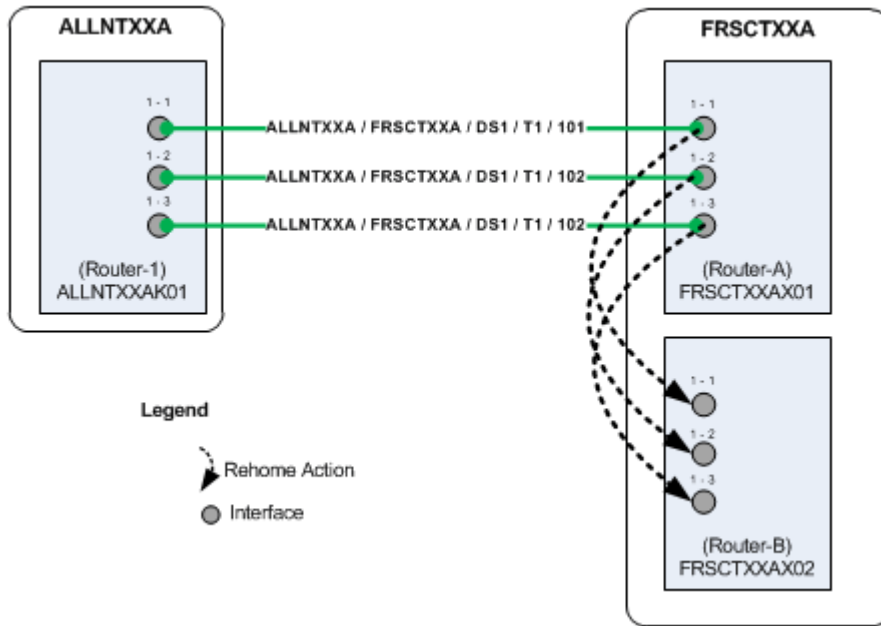
See "[Projects](#)" and the UIM Help for more information about managing projects and activities.

About Rehomng

When you rehome a connectivity, you change one of its terminations. Rehomng may be required for load balancing or because of the removal or replacement of devices

and interfaces. [Figure 14-29](#) illustrates a simple scenario in which three T1 facilities are rehomed from interfaces on one router to interfaces on another router.

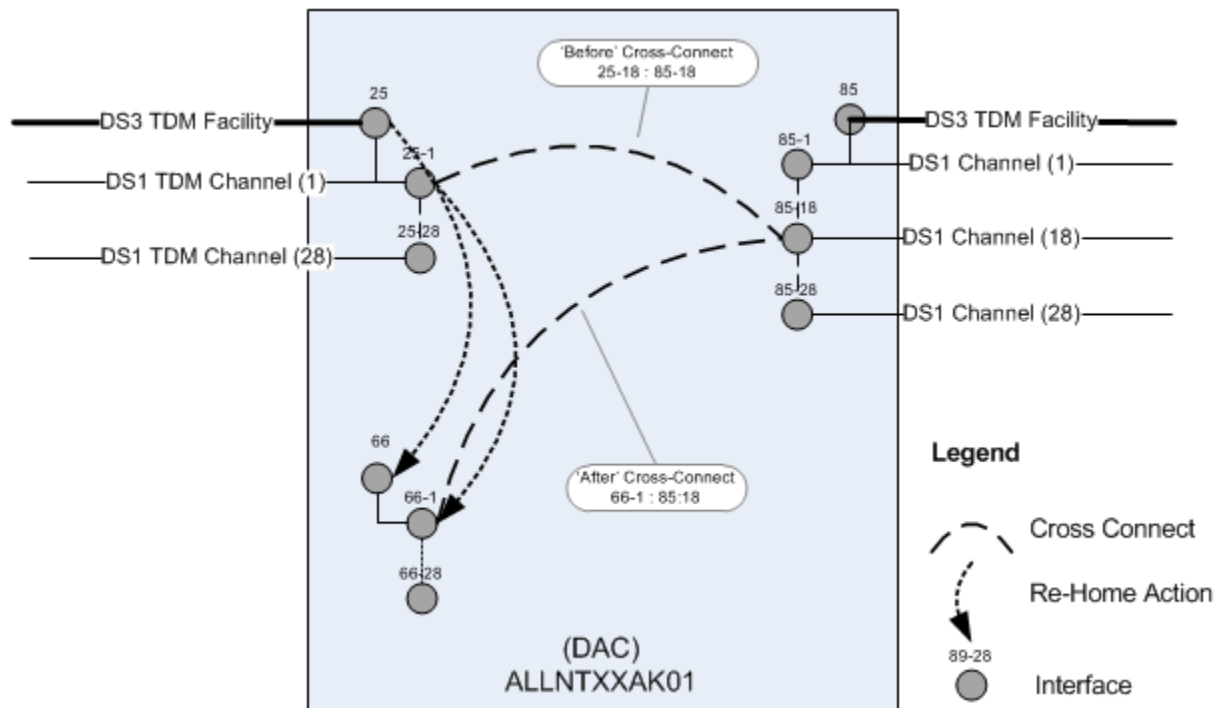
Figure 14-29 Simple Rehoming Scenario



Rehoming a facility requires changes to the termination of the facility itself and to any channels it provides. Channels are re-terminated on sub-device interfaces provided by the new device interface on which the facility is terminated.

[Figure 14-30](#) illustrates how rehoming a DS3 facility from one interface to another requires rehoming of its channels to sub-interfaces and therefore the creation of new cross-connects. For visual clarity, the illustration shows the impact on only one channel, but all 28 DS1 channels require rehoming and new cross-connects.

Figure 14-30 Rehoming Impact on Cross-Connects



Pipes and connectivities riding channels provided by the rehomed connectivity require design changes to reflect new interface and cross-connect assignments. To ensure date integrity in these situations, rehoming must occur recursively throughout the channel hierarchy of the channelized connectivity.

For example, when you rehome a DS3 facility, there are direct impacts to DS1 riders enabled by channels provided by the facility. If these riders are virtually terminated to the same DS1 sub-interfaces used by facility's DS1 channels, the DS1 riders must be rehomed to the new DS1 sub-interfaces. If the DS1 riders themselves provide channels that enable DS0 riders, the DS0 riders must also be rehomed.

Rehoming can result in channel assignment changes that require a grooming activity. Figure 14-31 illustrates such a scenario. A DS3 facility (NETLOCXX / NETLOCYY / DS3 / T3 / 333) rides a channel provided by NETLOCAA / NETLOCBB / STM16 / SM16 / 101. The Z end point of this SM16 facility is being rehomed to a device in NETLOCGG. The DS3 facility must be reassigned to a different channel as a result of the rehoming.

Because connectivity identifiers include A and Z network/entity location codes, they can change when connectivities are rehomed. In Figure 14-31, the connectivity NETLOCAA / NETLOCBB / STM16 / SM16 / 101 changes to NETLOCAA / NETLOCGG / STM16 / SM16 / 101. See "About Connectivity Identifiers" for more information about how connectivity identifiers are constructed.

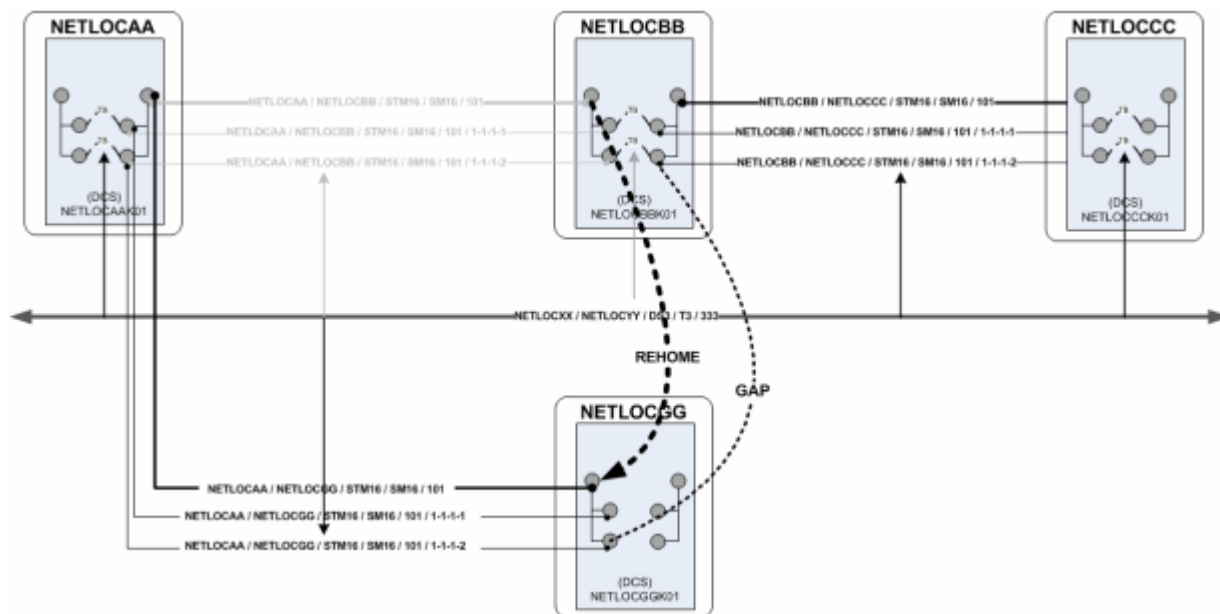
The serial number of a connectivity can also change as a result of rehoming. Connectivity serial numbers must be unique within the context of the A and Z location pairs, so rehoming can result in a conflict with an existing serial number.

The gray channels in Figure 14-31 indicate the assignments that are removed as the result of rehoming. The channel reassignment from the NETLOCAA / NETLOCBB /

STM16 / SM16 / 101 / 1-1-1-1 channel to NETLOCAA / NETLOCGG / STM16 / SM16 / 101 / 1-1-1-1 occurs automatically because rehomeing a parent facility also rehome its channels.

The DS3 rider has a gap, however, between the device interfaces on NETLOCGG and the drop side on NETLOCBB. You must resolve this gap separately from the rehomeing activity.

Figure 14-31 Rehoming with Resulting Gap



About the Rehoming User Interface

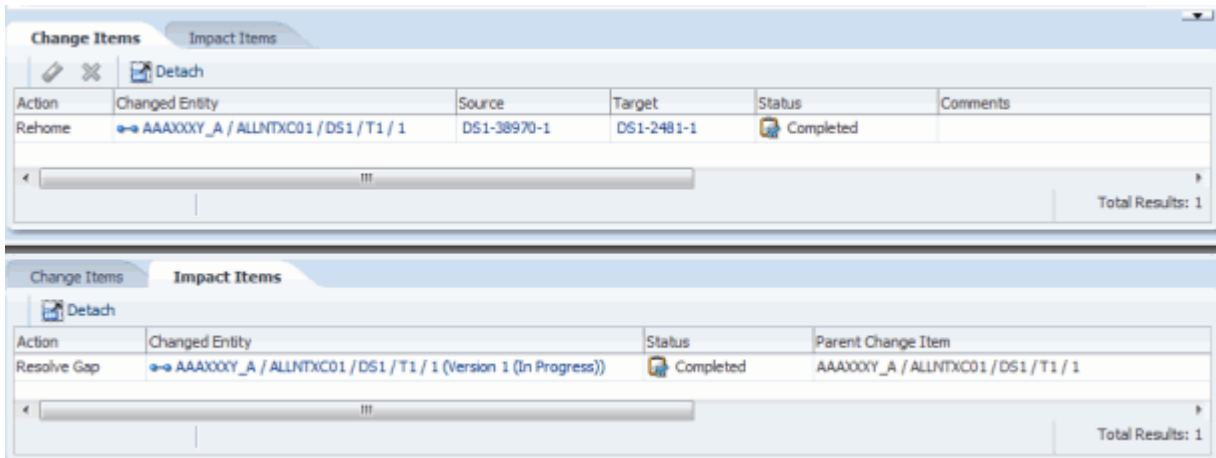
You plan and manage rehomeing in the Rehome section that becomes available when you create or select a rehomeing activity. The Rehome section includes device tree views in which you select the source device (the device that provides the interface on which the connectivity is currently terminated) and the target device (the device that provides the interface that you want to terminate the connectivity).

After selecting the source and target devices, you use the Rehome Connectivities tree views to configure the activity. You drill down through the source device's hierarchy to select specific the device interface on which the connectivity is terminated. You then drill down through the hierarchy of the target device to select the new device interface. You can select multiple pairs of interfaces in the same activity. Based on your selections, UIM populates the Proposed Changes table with a list of the entities that will be changed to complete the rehomeing activity.

When you have finished configuring the activity, click **Add to Rehome**. The **Change Items** tab in the Project Details page is populated with a list of actions that corresponds to the proposed entity changes from the dialog box.

Figure 14-32 shows the **Change Items** and **Impact Items** tabs for a rehomeing activity in which the end point of a T1 facility is moved from one device interface to another. A connectivity gap results from this change, as shown in the **Impact Items** tab. In this case, UIM was able to resolve the gap successfully. If UIM could not resolve the gap, the action would be shown in In Progress status and you would need to resolve the gap manually.

Figure 14-32 Rehoming Change Items and Impact Items Tabs



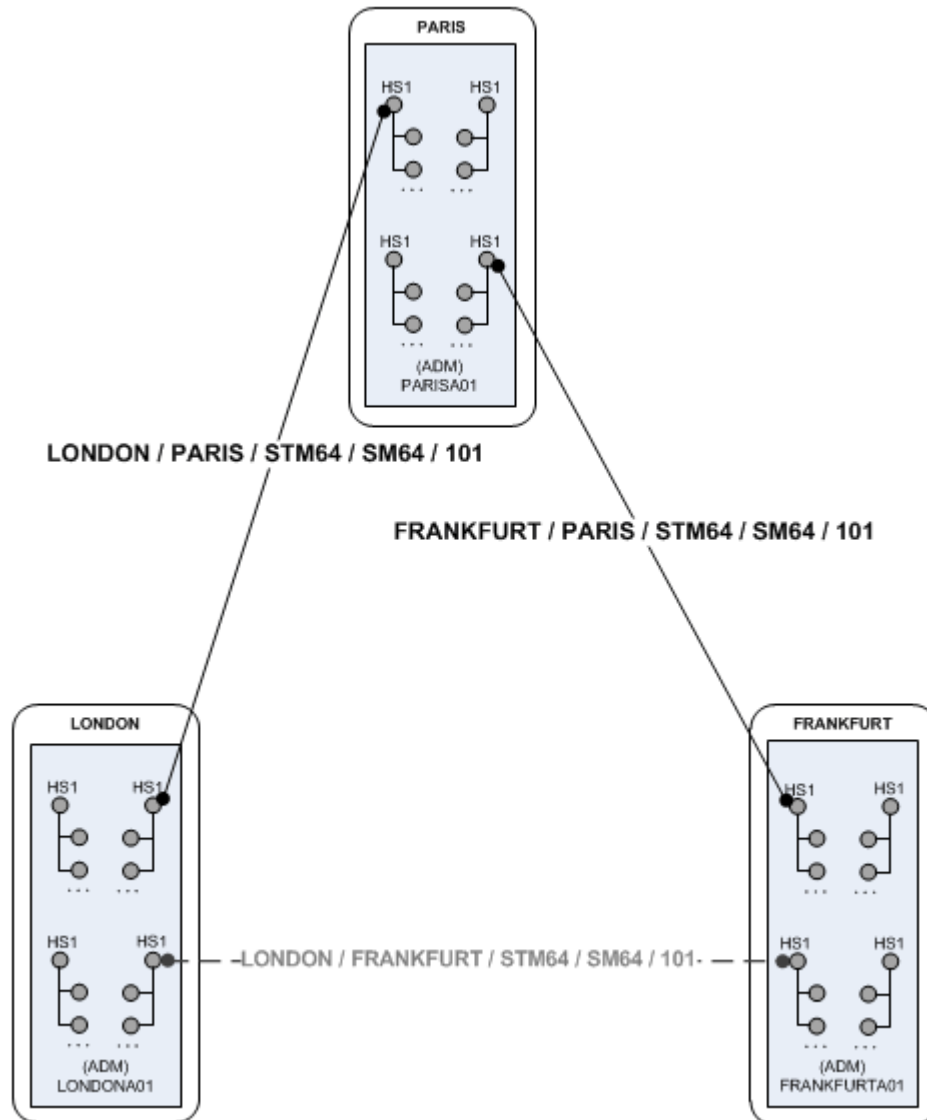
See "[Projects](#)" and the UIM Help for more information about managing projects and activities.

Inserting and Removing Nodes in Networks

UIM enables you to insert and remove network nodes that represent logical devices. UIM manages the required actions, such as channel reassignments and creating connectivities.

When you insert a node in this way, UIM creates two new connectivities to replace the existing connectivity. You select a logical device that the inserted node represents and specify the device interface on which two new connectivities will be terminated. [Figure 14-33](#) illustrates a simple network scenario in which a new add-drop multiplexer in Paris is inserted between two existing multiplexers in London and Frankfurt. The previous London-to-Frankfurt STM16 connectivity is replaced by two new STM16 connectivities: one from London to Paris and another from Paris to Frankfurt.

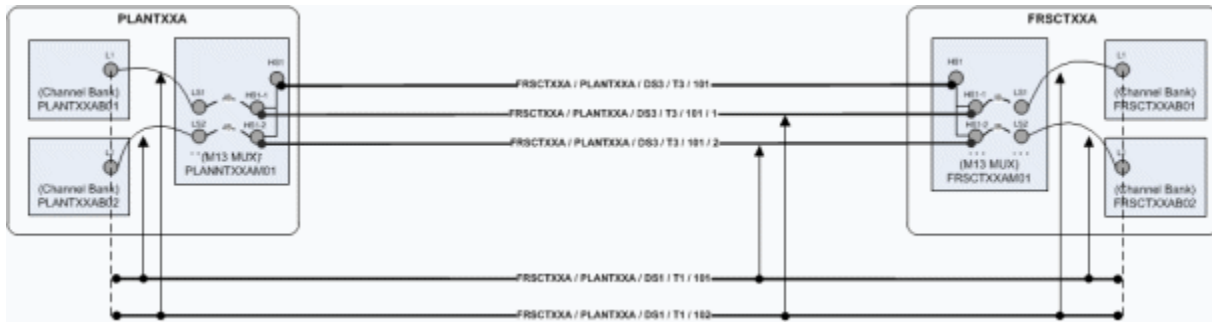
Figure 14-33 Simple Node Insertion Scenario



UIM automatically manages the channel reassignments and termination changes. For example, when you insert a node and replace a connectivity that has riders, the riders must be groomed to new channel assignments. UIM manages this grooming automatically.

[Figure 14-34](#) and [Figure 14-35](#) illustrate this scenario. In this example, the middle portion of a T1 facility's path rides a channel provided by the FRSC TXAA / PLANTXAA DS3 facility. The T1 rider has jumpers and cross-connects at its endpoints.

Figure 14-34 Network Node Insertion: Before



A new device and location are inserted between the PLANTXXA and FRSTXXA locations, resulting in the creation of two new T3 facilities to replace the previous T3.

The T1 rider must now be groomed to reflect the network changes. Its terminations on the channel banks are unchanged, but all of the jumpers, cross-connects, and channel assignments must be updated as shown in [Figure 14-35](#).

Figure 14-35 Network Node Insertion: After



Connectivities that are assigned to the groomed T1 are unaffected because its terminations are unchanged. For example, if a DS0 service trail is riding a channel provided by the T1, its connectivity design requires no modification. It is still assigned to the same channel, although the parent facility of that channel has been groomed.

Removing a network is the reverse of inserting one. For example, suppose that you want to remove the node that represents logical device ALLNTXXAK01 in [Figure 14-35](#). In this scenario, the two connectivities (and their channels) terminated on the devices must be unterminated and then replaced by a new connectivity that connects PLANTXXAM01 and FRSTXXAM01. UIM handles the required termination changes and channel reassignments. Riders that were enabled by the existing connectivities are reassigned to the replacement.

You can insert a node into an edge:

- When the edge represents only one connectivity.
- The connectivity is represented by only one edge.
- The connectivity is terminated by logical devices on both ends.

You can remove a node:

- When the node has exactly two edges.
- When all of the cross-connects in the device that the node represents are between the source connectivities represented by the source edges.

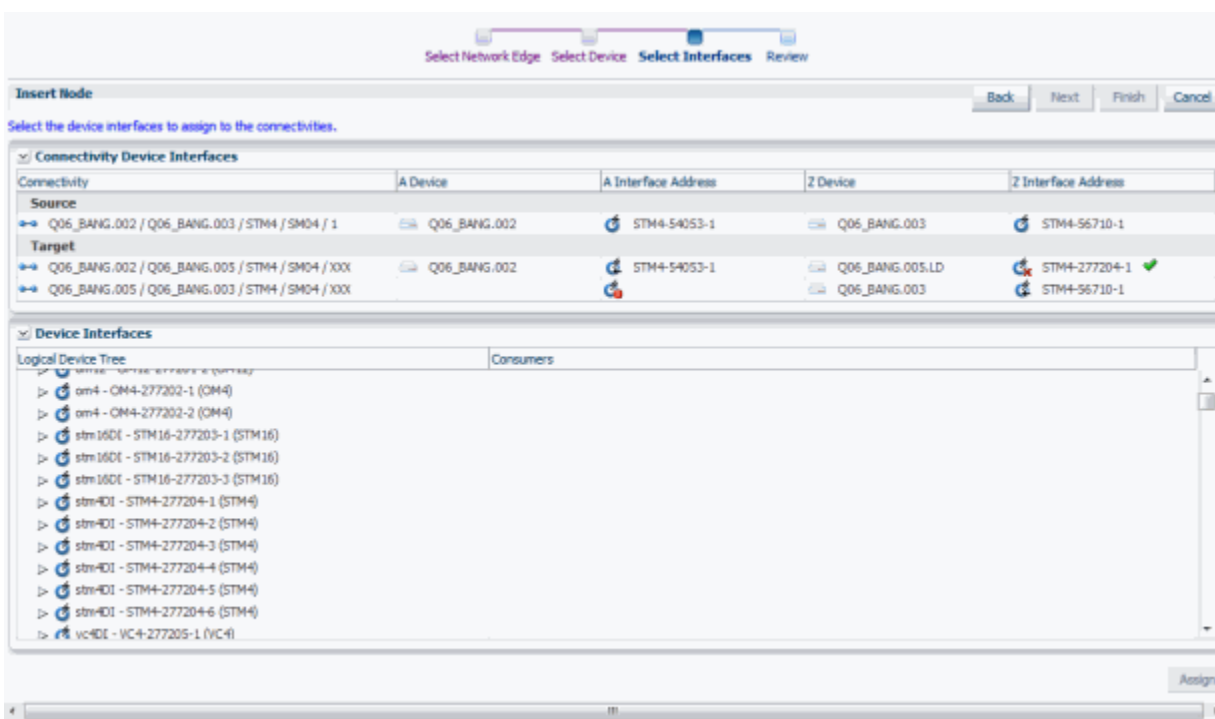
Node Insertion User Interface Overview

You manage node insertion in the **Insert Node** section that becomes available when you create or select an insert node activity. The section includes a network visualization in which you select the network that contains the affected nodes and edges.

You configure the activity in the Insert Node dialog box. This dialog box includes a wizard interface in which you:

- Select the network edge into which you want to insert the node. The edge into which you insert the node must be a facility and not a rider.
- Select the logical device you want the inserted node to represent. The device must have two free device interfaces that are compatible with the rate code of the existing connectivity represented by the edge.
- Select the device interfaces on which to terminate the two connectivities that will be created. The dialog box shows the existing connectivity (the source) and the new connectivities (the targets) in a table similar to the **Connectivity Design** tab used to enable and terminate channelized connectivity. You specify the device interfaces on which to terminate the Z end point of the first new connectivity and the A end point of the second. [Figure 14-36](#) shows the Select Interfaces area of the dialog box. In this case, one device interface has been selected, as indicated by the green check mark. One device interface has yet to be selected, as indicated by the red icon.

Figure 14-36 Select Interfaces Area of the Insert Node Dialog Box



- Review proposed changes. The Review area of the dialog box provides a list of the selections you have made, as shown in Figure 14-37. You can use the **Back** button to navigate to previous areas if necessary.

Figure 14-37 Review Area of the Insert Node Dialog Box

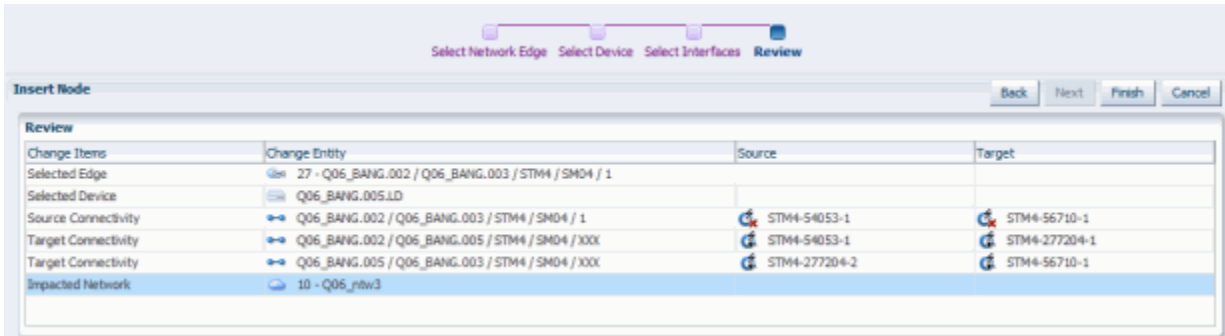
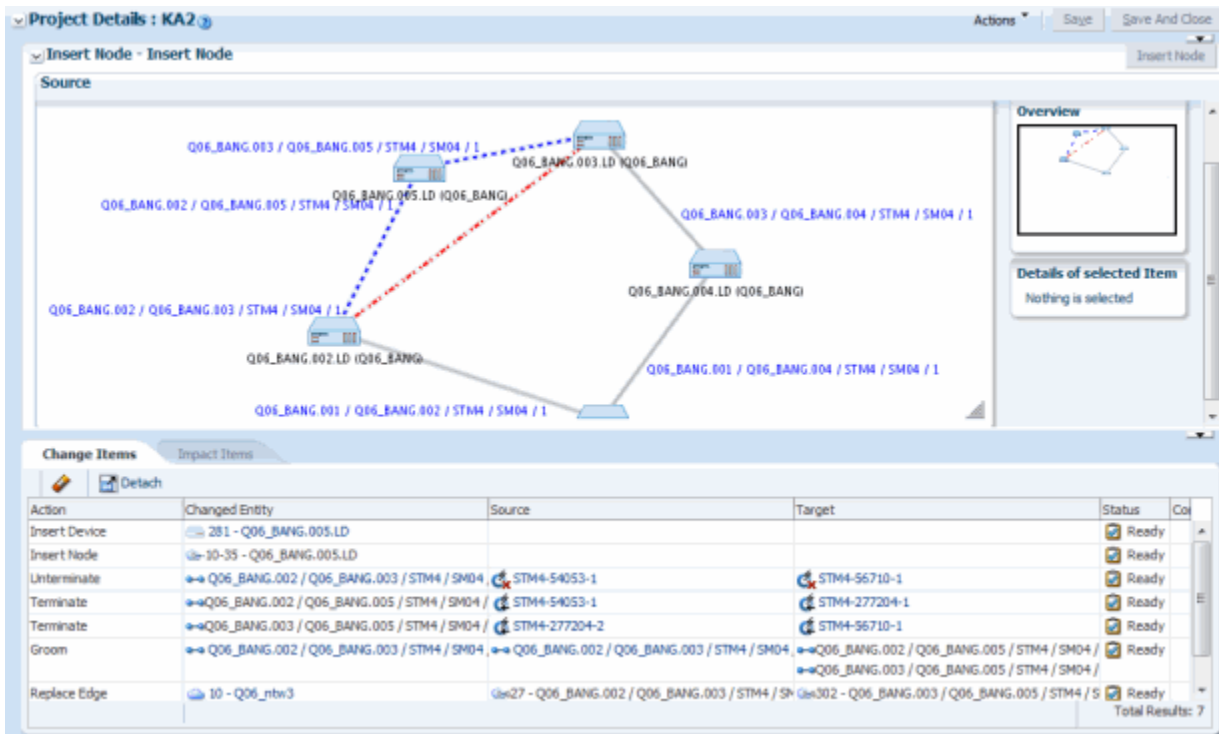


Figure 14-38 shows the Insert Node section after the activity has been configured. A new node representing the Q06_BANG.005.LD logical device will be inserted between the existing Q06_BANG.002.LD and Q06_BANG.003.LD nodes. The red dotted line represents the edge that will be replaced while the blue dotted line represents the two new edges. The **Change Items** tab shows the entities that will be changed as a result of the activity. Because the activity has not yet been submitted, the **Impact Items** tab has not been populated.

Figure 14-38 UIM Insert Node User Interface - After Activity Configuration



After the activity has been processed, UIM saves the activity configuration details, change items, and impact items so that you can refer to them in the future. For example, you can view the network visualizations to see where the node was inserted.

Node Removal User Interface Overview

You manage node removal in the Remove Node section that becomes available when you create or select a remove node activity. The section includes a network visualization in which you select the network that contains the affected nodes and edges.

You configure the activity in the Remove Node dialog box. This dialog box includes a wizard interface in which you:

- Select the network node that you want to remove.
- Review proposed changes. You can use the **Back** button to navigate to previous areas if necessary.

When you have finished configuring the activity in the Remove Node dialog box, the network visualization in the Source area in the Remove Node section shows the planned changes with edges to be removed colored red. The **Change Items** tab is populated with a list of actions that corresponds to the proposed entity changes from the dialog box.

UIM saves the activity configuration details, change items, and impact items so that you can refer to them in the future. For example, you can view the network visualizations to see where the node was removed.

Packet Connectivity

This chapter explains how you use packet connectivity features in Oracle Communications Unified Inventory Management (UIM). You can groom or rehome a packet connectivity that acts as a rider or bearer. The procedure of grooming and rehomeing a packet connectivity is similar to that of a channelized connectivity. See "[About Grooming](#)" and "[About Rehomeing](#)" for more information on grooming and rehomeing.

Packet connectivity is one of several types of connectivity supported by UIM. See "[Connectivity Overview](#)" for information about features shared by all Connectivity entities.

UIM packet connectivity support includes Packet Connectivity entities and other entities that work together to model an entire service.

About Packet Connectivity

In packet-based connectivity, data is transmitted in blocks called packets or cells. Because capacity for these technologies is defined by volume or bandwidth rather than by channels or time-slots, packet connectivity is sometimes called bandwidth connectivity. Several technologies are based on packet connectivity, including Ethernet, Frame Relay, Asynchronous Transfer Mode (ATM), and Multiprotocol Label Switching (MPLS).

In UIM, you use Packet Connectivity entities to represent this type of connectivity. Packet Connectivity entities are based on Connectivity specifications in which the **Connectivity Classification** is set to **Packet**.

UIM supports all of these technologies and provides extensive support for Carrier Ethernet in the OracleComms_UIM_CarrierEthernet cartridge. Support for other packet technologies is provided in the OracleComms_UIM_Packet cartridge. See *UIM Carrier Ethernet Cartridge Guide* and *UIM Cartridge Guide* for more information about the content of these cartridges.

Packet connectivity can coexist with channelized connectivity and pipes. For example, a packet facility can be enabled by one or more channels of a T-Carrier channelized connectivity. Similarly, a packet connectivity can enable or be enabled by a pipe.

UIM cartridges supply a number of Packet Connectivity specifications that you can use or modify. For example, the Carrier Ethernet sample cartridge includes specifications for ENNI, INNI, and UNI connectivities. The Packet sample cartridge includes specifications for ATM, Frame Relay, and other connectivities. You can also create your own packet connectivities in Design Studio. See Design Studio Help for more information.

About Flow Identifiers

Packet connectivity technologies use IDs or tags to differentiate network traffic and make it visible to only the appropriate devices. By isolating network traffic in this way, the same physical or infrastructure network can support multiple virtual networks. For example, the Carrier Ethernet technology uses VLAN IDs for this purpose. ATM uses VPI and VCI, while Frame Relay uses DLCI.

In UIM, you use Flow Identifier entities to represent these various types of identifiers. Flow identifiers are specification-based entities that can be customized to fit your business and technological requirements.

The Carrier Ethernet and Packet cartridges include Flow Identifier specifications. The Carrier Ethernet cartridge includes CE-VLAN, Custom-Tag, P-Tag, SP-VLAN, and W-Tag specifications. The Packet sample cartridge includes VCI, VPI, and DLCI specifications. You can use these specifications as they are or copy and modify them for your requirements. You can also create your own Flow Identifier specifications in Design Studio.

Flow identifiers can be marked as managed or unmanaged in their specifications:

- Managed flow identifiers are grouped into network address domains and resource pools from which they can be selected and assigned to packet virtual networks (PVNs) and service networks. For example, the SP-VLAN flow identifier in the Carrier Ethernet cartridge is managed. See "[Network Address Domains](#)" and "[About Inventory Group Types and Resource Pools](#)" for more information.
- Unmanaged flow identifiers are received on a service order and referenced with a service location on the service. They are provided by customers and therefore not managed by service providers. For example, the CE-VLAN flow identifier in the Carrier Ethernet cartridge is unmanaged.

In UIM, you can assign flow identifiers to packet virtual network configurations and service network configurations. When you assign a flow identifier to a network, UIM automatically assigns the flow identifier to all the flow interfaces in the network. You can assign flow identifiers to networks either in the Network Topology view or in the network configuration.

You can manually unassign and assign flow identifiers for individual flow interfaces. For example, you may want to implement VLAN ID translation. See "[VLAN ID Translation](#)" for more information.

Assigning Flow Identifiers to Connectivities and Connectivity Segments

You can assign flow identifiers to connectivities while you are designing them. There are two options:

- You can assign a flow identifier to the connectivity and have that flow identifier referenced on both the A and Z flow interfaces terminating the connectivity.
- You can assign a flow identifier to the connectivity and have that flow identifier referenced by either the A or Z flow interface.

You can also assign flow identifiers to the individual segments of a connectivity design. The flow identifier is assigned to the parent connectivity, and is automatically referenced on the flow interface configuration of the flow interfaces on each end of the connectivity segment. The flow identifier is then displayed on the connectivity design.

See UIM Help for more information about assigning flow identifiers to connectivities.

Q-in-Q Stacking

UIM flow identifiers support Q-in-Q stacking. Q-in-Q stacking enables VLAN IDs to be encapsulated (*stacked*) within each other. Stacking allows traffic from different service providers with the same VLAN ID to travel safely through a network.

For example, suppose Customer A's CE-VLAN and Customer B's CE-VLAN use the VLAN ID 10. When the traffic enters the service provider network, Customer A's traffic can be stacked on the service provider's SP-VLAN ID 50 and Customer B's traffic can be stacked on the service provider's SP-VLAN ID 100. This stacking enables the two customer's traffic to be separated within the network even though their original VLAN IDs are the same.

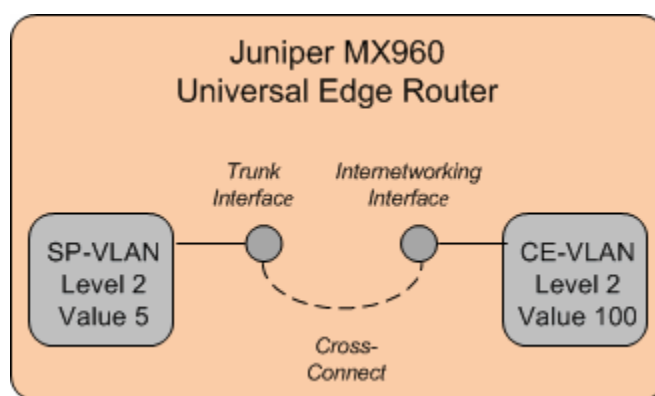
In UIM, you implement Q-in-Q stacking by defining stacking levels in Flow Identifier specifications. For example, the Carrier Ethernet sample cartridge includes a CE-VLAN Flow Identifier specification with a stacking level of 0 and an SP-VLAN Flow Identifier specification with a stacking level of 1. That means that flow identifiers based on the CE-VLAN specification can be stacked within flow identifiers based on the SP-VLAN specification. To implement Q-in-Q stacking with these specifications, you include a CE-VLAN flow identifier in the Service configuration and add the SP-VLAN flow identifier to the PVN.

See Design Studio Help for more information about designing Flow Identifier specifications.

VLAN ID Translation

In Carrier Ethernet networks, VLAN ID translation is sometimes required. VLAN ID translation involves changing the ID of incoming packets at a switch. For example, [Figure 15-1](#) illustrates a situation in which an interface on a switch carries traffic from one direction with VLAN ID 5 and another interface on the same switch carries traffic from the other direction with VLAN ID 100. The switch receives traffic on one interface, translates the ID, and then sends the traffic out on the other interface.

Figure 15-1 VLAN ID Translation



To model VLAN ID translation in UIM, you manually assign flow identifiers to flow interfaces, thereby overriding the flow identifier assignment from the PVN. You assign the flow identifier from the Network Topology view of the PVN in which the flow interface appears.

For example, in the example in [Figure 15-1](#), you can model the switch as a logical device. The logical device has two flow interfaces with a cross-connect between them. To translate

the VLAN ID, you assign an SP-VLAN flow identifier with stacking level 2 and an ID of 5 to one interface and a P-Tag flow identifier with stacking level 100 and an ID of 100 to the other.

A flow interface can have multiple flow identifiers. For example, an Ethernet flow interface could have a CE-VLAN flow identifier that identifies traffic coming from a customer's service location. The same flow interface can have an SP-VLAN flow identifier that identifies a PVN, such as an EVC.

Performance Parameters

Services based on packet connectivity often include requirements for class of service (CoS) and quality of service (QoS). These requirements guarantee specific levels of performance to the subscriber. For example, when a subscriber contracts with a service provider for Carrier Ethernet service, the service provider guarantees bandwidth and excess bandwidth levels based on performance parameters.

In UIM, these performance parameters are modeled as Custom Object entities with characteristics that represent the various metrics.

For example, the Carrier Ethernet cartridge includes a number of Custom Object specifications that model the CoS and QoS attributes defined by the Metro Ethernet Forum (MEF). Specifications for other entities, such as service and network configurations, include references to the CoS and QoS Custom Object specifications that apply to them.

Similarly, the Packet Cartridge includes specifications for ATM and Frame Relay QoS and traffic parameters.

You can also define your own Custom Object specifications for QoS and CoS requirements not supplied in the cartridges.

See "[Custom Objects](#)" for more information about Custom Object entities and *UIM Carrier Ethernet Cartridge Guide* for more information about how they are used in Carrier Ethernet services.

Enabling Packet Connectivity

Like other connectivities, you enable and terminate a packet connectivity as part of the design process. Packet connectivity can be enabled by channelized connectivity, packet connectivity, and pipes in any combination.

See "[Designing Connectivity](#)" for more information about the connectivity design process, including using gap analysis.

Enabling Packet Connectivity with Channelized Connectivity

Enablement by channelized connectivity includes support for virtual concatenation (VCAT), a system in which a subset of channels in a channelized facility are grouped to enable packet connectivity.

Without VCAT, bandwidth is wasted because a full facility is used to support "non-telephony" bit rates. For example, Carrier Ethernet includes a 10 Mbps bit rate. Without VCAT, a full E3 facility (34.468 Mbps) or DS3 facility (44.736 Mbps) is required to enable the Carrier Ethernet connectivity.

With VCAT, that 10 Mbps connectivity can be enabled by two of the four E2 channels in an E3 facility or seven of the 28 DS1 channels in a DS3 facility. The unused channels can be used for other purposes.

The UIM signal architecture determines which channels can be virtually concatenated to support which packet connectivities. The valid VCAT combinations are reflected in the **Connectivities Supported By** list in the Gap Analysis page.

When you select a channel arrangement in the **Connectivities Supported By** list and select the **Contiguous Channels**, gap analysis includes those criteria in its search.

Enabling Packet Connectivity with Packet Connectivity

You can enable a packet connectivity with one or more packet connectivities. (This capability is called “packet-over-packet.”) For each segment of the path, the rate code of the enabling connectivity must be greater than or equal to than the rate code of the enabled connectivity. For example, an Ethernet connectivity with a 10GigE rate code can be enabled by a connectivity with a 40GigE rate code but not by one with a 1GigE rate code.

Some special termination rules apply in packet-over-packet enablement scenarios. See ["Packet-Over-Packet Termination Rules"](#) for more information.

Packet-Over-Packet Termination Rules

Packet connectivities enabled by other packet connectivities must be terminated on flow interfaces. This rule is true throughout all levels of enablement. For example, your inventory could include a 40GigE connectivity enabling a 10GigE which enables a 1GigE connectivity. In this situation, 10GigE and 1GigE connectivities must be terminated on flow interfaces. Assuming it is not enabled by another packet connectivity, the 40GigE connectivity can be terminated on either a flow interface or directly on a media interface.

For packet connectivities not enabled by other packet connectivity, you can terminate directly on a media interface only if its rate code exactly matches the rate code of the connectivity. If the rate codes, do not match, you see an error message.

If the rate code of the media interface exceeds that of the connectivity, UIM creates a child flow interface that matches the capacity of the connectivity. It then terminates the connectivity on that flow interface. The remaining capacity of the parent media interface remains available for consumption. You must select the **Terminate at Flow Interface** menu option for flow interfaces to be created by UIM. Otherwise, you see an error message stating that the device interface rate code does not support the connectivity.

In the **Connectivity Design** tab, you select how you want to terminate a connectivity. If you select **Terminate at Media Interface**, you can select a media interface. If you select **Terminate at Flow Interface**, you select a media interface and UIM automatically creates a flow interface for you.

In most cases, flow interfaces that UIM creates are deleted when they are unassigned or when a connectivity design that includes them is cancelled. There are some exceptions to this rule. For example, if you cancel the second version of a connectivity design, only flow interfaces created in the second version are deleted. Flow interfaces included in the first version remain. Similarly, if in a connectivity design you unassign or delete segments that include flow interfaces, those flow interfaces are restored if you cancel the design.

Packet Enablement Scenarios

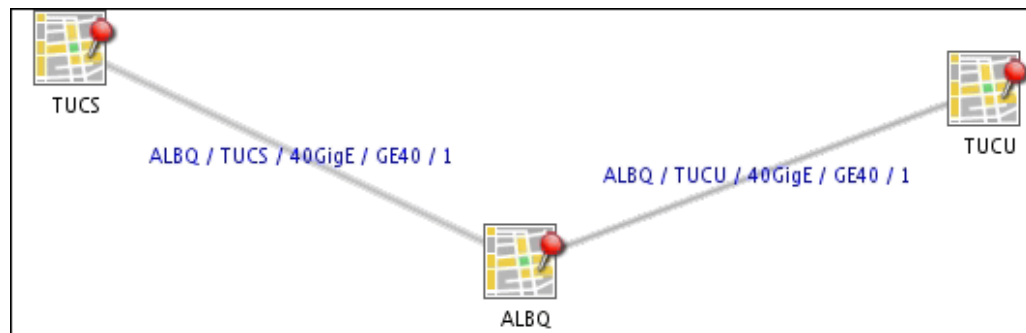
The following sections provides three examples of terminating and enabling a packet connectivity. Two of the scenarios include VCAT.

- [Ethernet Packet Connectivity Enabled by Ethernet Packet Connectivity](#)
- [UNI Connectivity Enabled by T-Carrier Channels](#)
- [INNI Connectivity Enabled by SDH Channels](#)

Ethernet Packet Connectivity Enabled by Ethernet Packet Connectivity

In this scenario, you want to create a 1 Gbps Ethernet connectivity between Tucson, AZ to Tucumcari, NM. As shown in [Figure 15-2](#), your network already includes locations in all three cities.

Figure 15-2 Transport Network



40 Gbps connectivity exists between Tucson and Albuquerque and Albuquerque and Tucumcari, represented in UIM as ALBQ/TUCS/40GigE/GE40/1 and ALBQ/TUCU/40GigE/GE40/1. These two connectivities are terminated on media interfaces of logical devices located at the three network locations shown in [Figure 15-2](#).

You will enable the new 1 Gbps connectivity with capacity from the two 40 Gbps connectivities.

You start by creating the 1 Gbps Ethernet connectivity, specifying Tucson as the A location and Tucumcari as the Z location. The connectivity will have a name similar to TUCS / TUCU / 1GigE / GE1 / 1.

When the TUCS / TUCU / 1GigE / GE1 / 1 connectivity has been created, open its **Connectivity Design** tab to terminate and enable it:

1. On the A side of TUCS / TUCU / 1GigE / GE1 / 1, click the **Terminate** icon, then select **Terminate at Flow Interface**. When the Device Search screen appears, select a media interface on the device that terminates the ALBQ/TUCS/40GigE/GE40/1 connectivity, then click **Assign**.

UIM creates a 1 Gbps flow interface under the media interface and assigns it to the TUCS / TUCU / 1GigE / GE1 / 1 connectivity.

2. Repeat step 1 for the Z side, selecting the mediate interface that terminates ALBQ/TUCU/40GigE/GE40/1

The connectivity is now terminated. You now must resolve the gap.

The screenshot shows the Oracle UIM Connectivity Design interface. The top navigation bar includes 'Current', 'Connectivity Details: TUCS / TUCU / 1GigE / GE1 / 1', and 'Version: 1 In Progress'. The 'Connectivity Design' tab is active, showing a path with three segments. Segment 1 connects 'TUCS - A Location' to 'TUCS LD TUCS1: 40GigE-1-1/1'. Segment 2 is a 'Gap' between 'TUCS LD TUCS1: 40GigE-1-1/1' and '40GigE-3-1/1 :LD TUCU1'. Segment 3 connects '40GigE-3-1/1 :LD TUCU1' to 'TUCU'. A 'Gap' icon is visible between segments 2 and 3.

Seg #	Gp	TUCS - A Location	Segment	Z Location - TUCU
1		TUCS LD TUCS1: 40GigE-1-1/1		
2		TUCS LD TUCS1: 40GigE-1-1/1	Gap	40GigE-3-1/1 :LD TUCU1
3				40GigE-3-1/1 :LD TUCU1

- At the Gap icon, select **Assign Connectivity to Resolve this Gap**, search for the ALBQ/TUCS/40GigE/GE40/1 connectivity, and click **Assign**.

UIM does the following:

- Creates a flow interface under the 40GigE media interface so that the cross connect can be created.
- Creates a trail bound cross-connect to the 40GigE media interface of the 40GigE connectivity.
- Adds the 1GigE connectivity as a rider of the ALBQ/TUCS/40GigE/GE40/1 connectivity and consumes the relevant capacity.

A new gap appears, this time for the segment between ALBQ and TUCU.

- At the newly created Gap icon, repeat step 3, searching for the ALBQ/TUCU/40GigE/GE40/1 connectivity.

UIM does the following:

- Creates two flow interfaces: one under the 40GigE media interface on the Z side of the ALBQ/TUCS/40GigE/GE40/1 connectivity and another under the 40GigE media interface on the A side of the ALBQ/TUCU/40GigE/GE40/1 connectivity.
- Creates a cross connect between the two new flow interfaces.
- Creates flow interface under the 40GigE media interface on the Z side of the ALBQ/TUCU/40GigE/GE40/1 connectivity.
- Creates a trail-bound cross-connect from the 40GigE media interface on the Z side of ALBQ/TUCU/40GigE/GE40/1 connectivity to the 1GigE Flow Interface terminating the TUCS / TUCU / 1GigE / GE1 / 1 connectivity.

Connectivity Details : TUCS / TUCU / 1GigE / GE1 / 1

Version: 1 In Progress

General Information Connectivity Design Riders

Connectivity Design: Version: 1 (In Progress)
Associated To Business Interaction

Design Schematic

Path 1

View

Seg #	Gp	TUCS - A Location	Segment	Z Location - TUCU
1		TUCS LD TUCS1: 40GigE-1-2/1		
2		TUCS LD TUCS1: 40GigE-1-2/1	Cross Connect (Trail-bound)	TUCS 40GigE-1-1/1 :LD TUCS1
3		TUCS LD TUCS1: 40GigE-1-1	ALBQ / TUCS / 40GigE / GE40 / 1	ALBQ 40GigE-2-1 :LD ALBQ1
4		ALBQ LD ALBQ1: 40GigE-2-1/1	Cross Connect (Trail-bound)	ALBQ 40GigE-2-2/1 :LD ALBQ1
5		ALBQ LD ALBQ1: 40GigE-2-2	ALBQ / TUCU / 40GigE / GE40 / 1	TUCU 40GigE-3-1 :LD TUCU1
6		TUCU LD TUCU1: 40GigE-3-1/1	Cross Connect (Trail-bound)	TUCU 40GigE-3-2/1 :LD TUCU1
7				TUCU 40GigE-3-2/1 :LD TUCU1
Seg #	Gp	TUCS - A Location	Segment	Z Location - TUCU

You can partially automate this process by using Gap Analysis to replace steps 3 and 4. Specify Tucson and Tucumcari as the source and target. See "[Assigning Transport](#)" and UIM Help for more information.

5. Assign a flow identifier to UCS / TUCU / 1GigE / GE1 / 1.

In this example, you assign a flow identifier to the connectivity you are designing and apply it to both flow interfaces. You could also choose to assign a flow identifier to the connectivity and apply it to only one flow interface. In addition, you could choose to assign flow identifiers to the connectivity segments in the design. See "[Assigning Flow Identifiers to Connectivities and Connectivity Segments](#)" for more information.

a. In the tool bar, click the **Assign Flow Identifier to Both Ends** icon.

The Flow Identifier Search page appears.

b. Search for and select a flow identifier.

The selected flow identifier is assigned to the connectivity and referenced by the flow interfaces that terminate it.

Figure 15-3 illustrates the completed design.

Figure 15-3 1 Gbps Ethernet Connectivity Enablement

Connectivity Details : TUCS / TUCU / 1GigE / GE1 / 1

Version: 1 In Progress

General Information Connectivity Design Riders

Connectivity Design: Version: 1 (In Progress)
Associated To Business Interaction

Design Schematic

Path 1

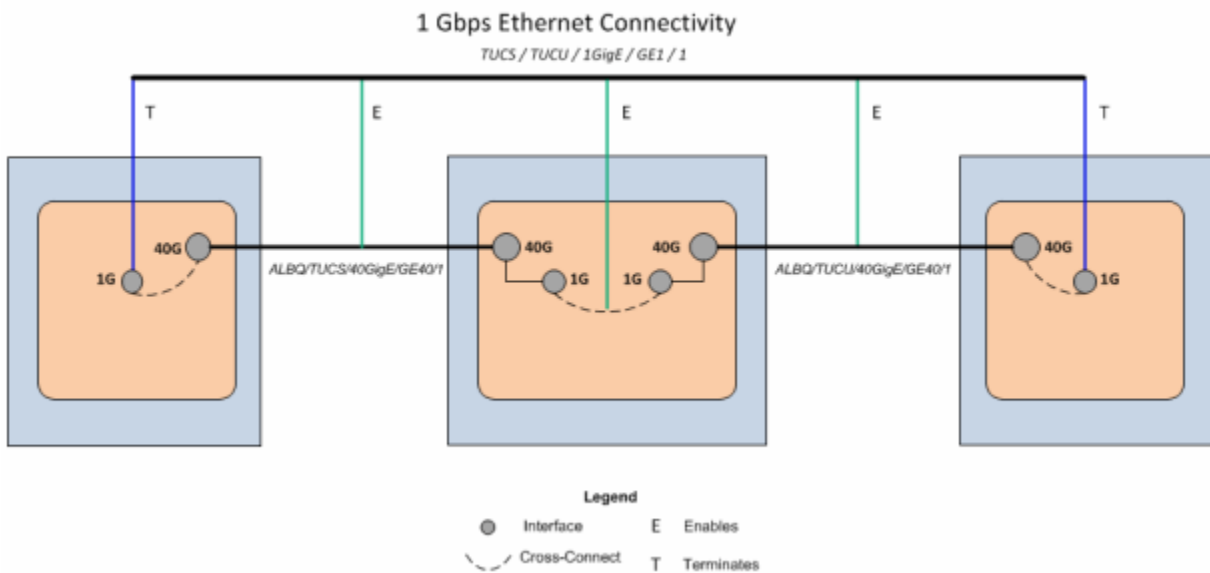
View [Icons] Export Print Detach

Seg #	Gp	TUCS - A Location	Segment	Z Location - TUCU
1		TUCS LD TUCS1: 40GigE-1-2/1 SP-VLAN : SW-SW112		
2		TUCS LD TUCS1: 40GigE-1-2/1	Cross Connect (Trail-bound)	TUCS 40GigE-1-1/1 :LD TUCS1
3		TUCS LD TUCS1: 40GigE-1-1	ALBQ / TUCS / 40GigE / GE40 / 1	ALBQ 40GigE-2-1 :LD ALBQ1
4		ALBQ LD ALBQ1: 40GigE-2-1/1	Cross Connect (Trail-bound)	ALBQ 40GigE-2-2/1 :LD ALBQ1
5		ALBQ LD ALBQ1: 40GigE-2-2	ALBQ / TUCU / 40GigE / GE40 / 1	TUCU 40GigE-3-1 :LD TUCU1
6		TUCU LD TUCU1: 40GigE-3-1/1	Cross Connect (Trail-bound)	TUCU 40GigE-3-2/1 :LD TUCU1
7				TUCU 40GigE-3-2/1 :LD TUCU1 SP-VLAN : SW-SW112

Seg # Gp TUCS - A Location Segment Z Location - TUCU

Figure 15-4 illustrates the enablement scenario schematically.

Figure 15-4 1 Gbps Ethernet Connectivity Enablement (Schematic View)



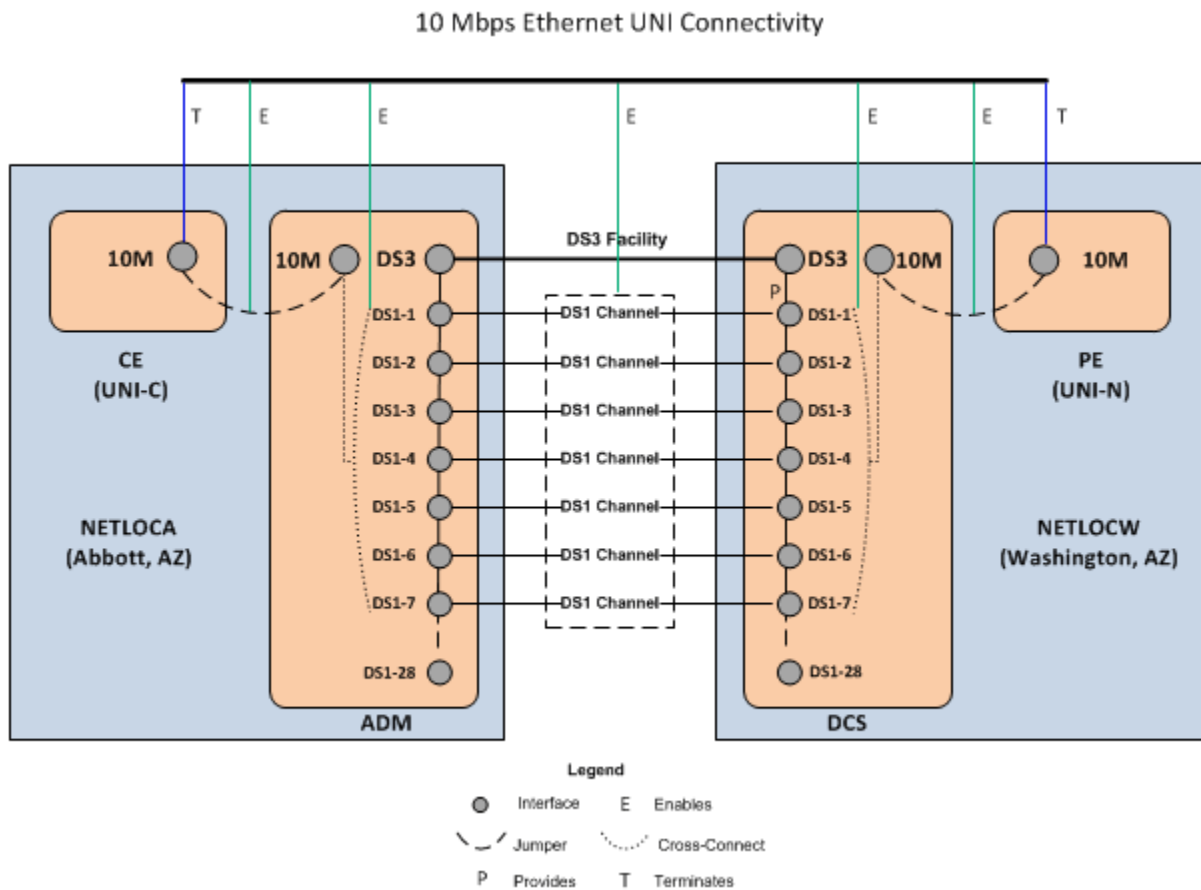
UNI Connectivity Enabled by T-Carrier Channels

This section provides an example of Ethernet UNI connectivity enabled by virtually concatenated channels in a T-Carrier facility. The example assumes that you are a Carrier Ethernet service provider implementing a solution over your own network infrastructure. No other service providers are involved and you have installed CPE at the customer site.

The service location on the A side of the UNI connectivity is in Abbot, AZ. Because you have installed network equipment at this site, you can model it as both a service location and a network location (NETLOCA). The PE router on the Z side of the connectivity is at your network location in Washington, AZ (NETLOCW).

Transport is provided by seven channels from a DS3 facility that connects the two network locations. The channels use VCAT to combine their bandwidth. A jumper connects a 10 Mbps interface on the CE device to a 10 Mbps interface on the add-drop multiplexer (ADM) that also provides interfaces for the DS3 facility and its channels. A similar arrangement of cross-connects and a jumper connect the DCS and PE on the other end of the connectivity. Figure 15-5 illustrates this enablement scenario.

Figure 15-5 Ethernet UNI Connectivity Enabled by DS1 Channels



Assuming that the DS3 facility already exists, has had its capacity configured, and has seven contiguous, unassigned channels, do the following to create and design the UNI connectivity:

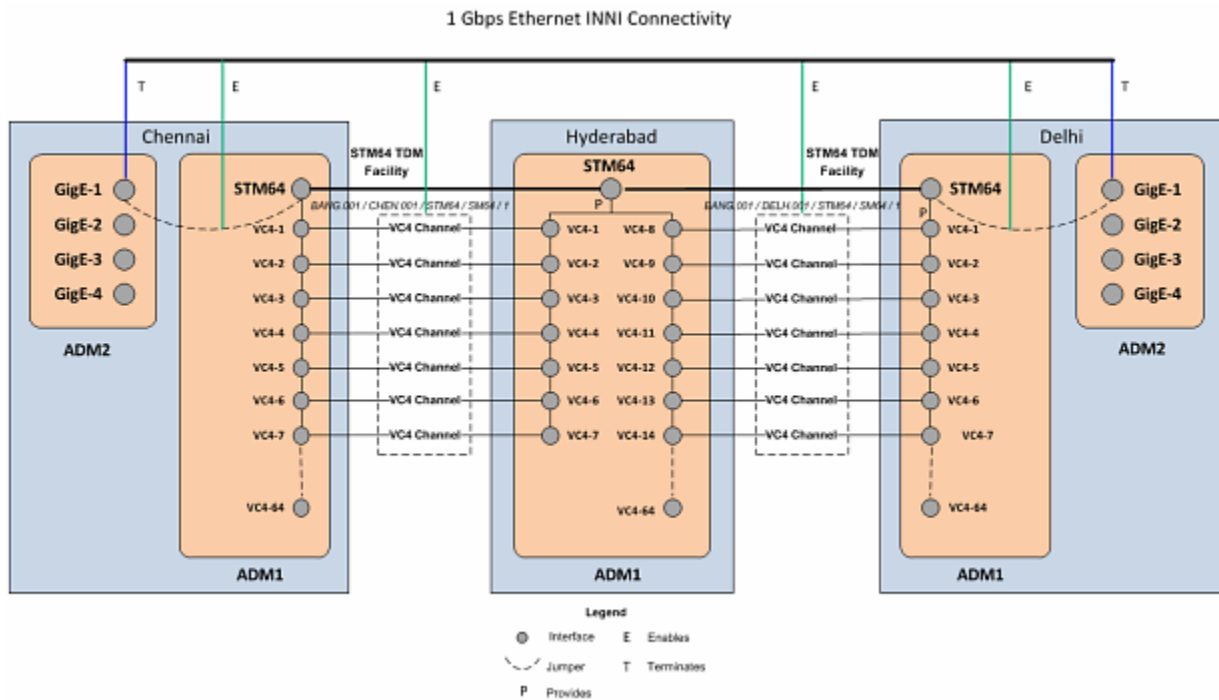
1. Create two logical devices based on the Packet Network Device specification to represent the CPE and the PE.
 - Locate the CPE device at the service location in Abbott, AZ.
 - Locate the PE device at the NETLOCW network location.
 - Create one or more device interfaces with a **10M** (10 Mbps) rate code on each device.
2. Create a connectivity based on the UNI Connectivity specification.
 - Specify the A side of the connectivity as the combined network and service location in Abbott, AZ.
 - Specify the Z side of the connectivity as NETLOCW.
 - Set the rate code to **10M** (10 Mbps).
3. In the Connectivity Design tab of the new connectivity, terminate the connectivity on 10M device interfaces on the CPE and PE devices.
4. Select the central segment of the path and perform a gap analysis. (See UIM Help and "[Assigning Transport](#)" for more information about gap analysis.)
 - Specify NETLOCA and NETLOCW as the **Source** and **Target** locations.
 - In the Connectivities Supported By area, select **(7) DS1** and **Contiguous Channels**.
UIM returns a path that includes seven channels in the preexisting DS3 facility. (Other paths may also be returned depending on the resources in your network.)
5. Assign the path that includes the DS3 facility to the segment.
6. Resolve the remaining gaps by creating jumpers on the A and Z sides of the connectivity.
7. Complete the connectivity design.

INNI Connectivity Enabled by SDH Channels

This section provides an example of the creation and design of a 1 Gbps Ethernet INNI connectivity that is enabled by seven virtually concatenated VC4 channels provided by an STM64 channelized connectivity. The example assumes that you are an Ethernet service provider and that no other service providers are involved in the solution.

An Ethernet INNI connectivity between Chennai and Delhi is enabled by two segments of an SDH ring network that also connects Bangalore and Hyderabad. [Figure 15-6](#) illustrates the enablement scenario.

Figure 15-6 Gigabit Ethernet Enabled by VC4 Channels



SDH Network Infrastructure

In this example, an existing SDH ring network connects offices in Bangalore, Hyderabad, Delhi, and Chennai. These customer sites are represent in UIM by four property locations:

- BANG
- HYDB
- DELH
- CHEN

There are add-drop multiplexers (ADMs) at each location, represented in UIM by Logical Device entities with the following network entity codes:

- HYDB.001.ADMLD
- BANG.001.ADMLD
- DELH.001.ADMLD
- CHEN.001.ADMLD

Each ADM includes a device interface hierarchy that includes two STM64 interfaces, each with 64 VC4 sub-interfaces.

Connectivity in the ring network is represented by 4 STM64 Channelized Connectivity entities:

- BANG.001 / CHEN.001 / STM64 / SM64 / 1
- CHEN.001 / HYDB.001 / STM64 / SM64 / 1

- HYDB.001 / DELH.001 / STM64 / SM64 / 1
- BANG.001 / DELH.001 / STM64 / SM64 / 1

The connectivities are terminated on the STM64 interfaces at the property locations. The capacity of each connectivity is configured to 64 VC4 channels, corresponding to the 64 VC4 sub-interfaces on each media interface.

Creating and Designing the INNI Connectivity

To represent ADMs for the INNI connectivity, create two Logical Device entities based on the Packet Network Device specification located at the existing property locations for Chennai and Delhi. Name these logical devices DELH.002.ADMLD and CHEN.002.ADMLD. On each logical device, add 4 GigE device interfaces.

Create a Connectivity entity with the following attributes:

- **Technology:** Ethernet
- **Specification:** Ethernet INNI Connectivity
- **A Network Location:** CHEN.002
- **Z Network Location:** DELH.002
- **Rate Code:** GigE
- **Function:** GE1
- **Duplex Mode:** Full Duplex
- **MTU Size:** 1522
- **Physical Medium:** 10BASE-T

In the Connectivity Design tab for the Ethernet INNI connectivity, complete the design as follows:

1. Terminate the A side of the connectivity on a GigE interface of the CHEN.002.ADMLD logical device.
2. Terminate the Z side of the connectivity on a GigE interface of the DELH.002.ADMLD logical device.
3. Use gap analysis with the following details and update the channels:
 - Source:** CHEN.001
 - Target:** DELH.001
 - Connectivities Supported By:** 7VC4
 - Contiguous Channels:** TrueGap analysis finds the STM64 connectivities from CHEN.001 to BANG.001 and from BANG.001 to DELH.001 and assigns seven VC4 channels to the INNI connectivity.
4. Resolve the remaining gaps by creating jumpers on the A and Z sides of the connectivity.
5. Complete the connectivity design.

Service Connectivity

This chapter explains how you use the service connectivity features in Oracle Communications Unified Inventory Management (UIM). You can groom or rehome a service connectivity that acts as a rider. The procedure of grooming and rehoming a service connectivity is similar to that of a channelized connectivity. See "[About Grooming](#)" and "[About Rehoming](#)" for more information on grooming and rehoming.

About Service Connectivity

Service connectivity expresses the requirements of a service in terms of transmission bit rates and the locations to be connected. This type of connectivity is sometimes called a *service trail*.

Because a service connectivity represents required bandwidth rather than available bandwidth, it cannot have riders. A service connectivity consumes other types of connectivity and resources, but cannot be consumed itself. You can enable service connectivities with channelized connectivity, packet connectivity, or both. The bit rate of a service connectivity cannot exceed that of its enabling connectivity. See UIM Help for more information about enabling connectivities.

Service connectivities are not defined by a technology, so when you create a Service Connectivity specification in Design Studio, the technology is automatically set to Undefined.

Service Connectivity specifications include an attribute (**Service Connectivity Controlled**) that determines how you create and use service connectivities based on the specification:

- If **Service Connectivity Controlled** is not enabled, you create and configure the service connectivity normally. Although it is created outside the context of service configurations, you can include the service connectivity in service configurations. See "[Service Connectivity Examples](#)" for an example. See UIM Help for information about creating connectivities, including service connectivities.
- If **Service Connectivity Controlled** is enabled, you can create the service connectivity only as part of a service configuration. This type of service connectivity is used in packet-based service arrangements, such as Carrier Ethernet. See "[Service Configuration-Controlled Service Connectivities](#)" for more information.

Service Connectivity Examples

You can use service connectivities to represent services such as VoIP that are enabled by other connectivity. For example, [Figure 16-1](#) illustrates a VoIP service that is enabled by an OC192 connectivity in one segment and a 10 Gbps Ethernet connectivity in another segment.

Figure 16-1 VoIP Service Connectivity

Path 1			
Seg #	Gp	Segment	Z Location - N05_CHEN.BRAS
1	N05_DELHI.MDF N05_DELHI.MDF: 100M-7-1/1		
2	N05_DELHI.MDF N05_DELHI.MDF: 100M-7-1/1	Cross Connect (Trail-bound)	N05_DELHI.MDF OC192-4-1/1 :N05_DELHI.MDF
3	N05_DELHI.MDF N05_DELHI.MDF: OC192-4-1	N05_DELHI.DSLAM / N05_DELHI.MDF / OC192 / OC192	N05_DELHI.DSLAM OC192-12-1 :N05_DELHI.DSLAM
4	N05_DELHI.DSLAM N05_DELHI.DSLAM: OC192-12-1/1	Cross Connect (Trail-bound)	N05_DELHI.DSLAM 10GigE-11-1/1/1 :N05_DELHI.DSLAM
5	N05_DELHI.DSLAM N05_DELHI.DSLAM: 10GigE-11-1/1	N05_CHEN.BRAS / N05_DELHI.DSLAM / 10GigE / GE10 /	N05_CHEN.BRAS 10GigE-35-1/1 :N05_CHEN.BRAS
6	N05_CHEN.BRAS N05_CHEN.BRAS: 10GigE-35-1/1/1	Cross Connect (Trail-bound)	N05_CHEN.BRAS 100M-39-1/1 :N05_CHEN.BRAS
7			N05_CHEN.BRAS 100M-39-1/1 :N05_CHEN.BRAS
Seg #	Gp	Segment	Z Location - N05_CHEN.BRAS

You can also use service connectivities to represent circuits that are designed internally by a provider and are not initially part of a service. They can be included subsequently in customer service designs. These connectivities are sometimes called Official Use or Company Use circuits.

For example, a service connectivity could be used to represent an X2 link connecting cell towers in an LTE backhaul scenario. Figure 16-2 illustrates an X2 link enabled by other connectivities of various different technologies.

Figure 16-2 Service Connectivity for LTE Backhaul

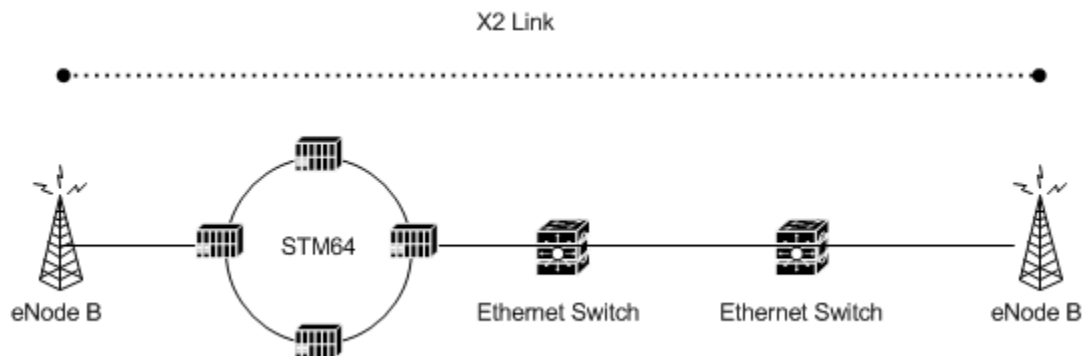


Figure 16-3 illustrates the **Connectivity Design** tab of this service connectivity. The service connectivity is enabled by five Ethernet connectivities, one of which is enabled by the STM64 ring.

Figure 16-3 X2 Link Enablement

View	✕	✎	📄	📄	📄	Export	Print	Detach
Seg #	Gp	PRIMERO - A Location	Segment	Z Location - SEGUNDO				
1		PRIMERO eNodeB-1: 1GigE-75179-4/1						
2		PRIMERO eNodeB-1: 1GigE-75179-4/1	Cross Connect (Trail-bound)	PRIMERO 1GigE-75179-1/1 :eNodeB-1				
3		PRIMERO eNodeB-1: 1GigE-75179-1	ABLE / PRIMERO / 1GigE / GE1 / 1	ABLE 1GigE-75203-1 :Switch - Able				
4		ABLE Switch - Able: 1GigE-75203-1	Jumper (Trail-bound)	ABLE 1GigE-75157-3 :ABLE (1)				
5		ABLE ABLE (1): 1GigE-75157-3/1	ABLE / CHARLIE / 1GigE / GE1 / 4	CHARLIE 1GigE-75167-3/1 :CHARLIE (1)				
6		CHARLIE CHARLIE (1): 1GigE-75167-3	Jumper (Trail-bound)	CHARLIE 1GigE-75209-1 :Switch - Charlie				
7		CHARLIE Switch - Charlie: 1GigE-75209-1/1	CHARLIE / MEDIO / 1GigE / GE1 / 1	MEDIO 1GigE-75197-1/1 :Switch - Medio				
8		MEDIO Switch - Medio: 1GigE-75197-1/1/1	Cross Connect (Trail-bound)	MEDIO 1GigE-75197-2/1/1 :Switch - Medio				
9		MEDIO Switch - Medio: 1GigE-75197-2/1	MEDIO / MIDWAY / 1GigE / GE1 / 1	MIDWAY 1GigE-75191-2/1 :Switch-Midway				
10		MIDWAY Switch-Midway: 1GigE-75191-2/1/1	Cross Connect (Trail-bound)	MIDWAY 10GigE-75190-2/1/1 :Switch-Midway				
11		MIDWAY Switch-Midway: 10GigE-75190-2/1	MIDWAY / SEGUNDO / 10GigE / GE10 / 1	SEGUNDO 10GigE-75184-1/1 :eNodeB-9				
12		SEGUNDO eNodeB-9: 10GigE-75184-1/1/1	Cross Connect (Trail-bound)	SEGUNDO 1GigE-75185-1/1 :eNodeB-9				
13				SEGUNDO 1GigE-75185-1/1 :eNodeB-9				

Service Configuration-Controlled Service Connectivities

Unlike other connectivity entities, you do not create service configuration-controlled connectivities directly. Instead, you create them in the process of configuring the services to which they are assigned. For example, when you design an Ethernet Access service as part of a Carrier Ethernet E-LAN service, you create a service connectivity. You assign the service connectivity as a configuration item in the Ethernet Access service configuration.

The life cycle of a service connectivity is bound to that of the Service configuration to which it is assigned. When the service connectivity is first created, it can be viewed only from within the Service configuration. It is in Pending Install status and cannot be searched for in UIM.

When the Service configuration is completed, the service connectivity is transitioned to the Current context. It is then visible in the search results.

Similarly when you disconnect a service, the parent service configuration transitions to Pending Disconnect status. This transition propagates to the service connectivity and it is also transitioned to Pending Disconnect. Completing the disconnect of the service completes the disconnect of the service connectivity.

You use service configuration-controlled service connectivities in two contexts:

- Connecting service locations to the provider network in multipoint services. For example, in a Carrier Ethernet E-LAN service, there are separate Ethernet Access services for each service location. A service connectivity is assigned to the Ethernet Access service configuration.

- Representing end-to-end service connectivity in point-to-point services. For example, in a Carrier Ethernet E-Line service, a service connectivity is assigned to the service configuration.

Service connectivity designs are created automatically based on the configuration of their parent service. The **Connectivity Design** tab for service connectivities is read-only.

This type of service connectivity always has at least one end point at a service location. The other end point can be at another service location or at a network location. When assigned to Ethernet Access services, one end point is at a service location and the other is at a network location. When assigned to a point-to-point service such as an E-Line service, both end points are at service locations.

Service Connectivity in Multipoint Services

In a multipoint Carrier Ethernet network, service connectivities are network segments that connect service locations to a service provider network. For each service location, there is an Ethernet Access Service with a corresponding service connectivity. The service connectivity is enabled by the UNI connectivity that connects the CE device at the service location to the PE device at the provider network.

For example, [Figure 16-4](#) illustrates the configuration of an E-LAN service. The service has three customer sites in Boston, Chicago, and New York. The Boston location's service connectivity is VPN / 4 / 1, which is enabled by the 4 FANEUILLE MARKET BOSTON US/BOSMA3PRA UNI connectivity. [Figure 16-5](#) illustrates the Connectivity Design tab of the service of VPN / 4 / 1.

Figure 16-4 E-LAN Service with Ethernet Access Service and Service Connectivity

Configuration	Resource Specification	Assignment/Reference Status	Resource	Actions
Service:BOA 400 E-Lan - 1 - 1 - BOA 400 E-Lan				
Service Network	Ethernet Service Netw...	Pending Assign	75011 - BOA 400 E-Lan	Unassign
Tags				
ServiceNetwork:BOA 400 E-Lan - 1 - 1				
Site List				
Customer Site				
Ethernet Access Service	Ethernet Access Service	Pending Assign	75016 - BOA-400-E-Lan-4 Faneuille Market Boston	Unassign
Service:BOA-400-E-Lan-4 Faneuille Market Boston				
Service Location	Property Location	Pending Reference	4 FANEUILLE MARKET BOSTON US	De-Reference
UNI				
UNI Connectivity	UNI Connectivity	Pending Reference	4 FANEUILLE MARKET BOSTON US / BOSMA3PRA / 1	De-Reference
CPE	Packet Network Device	Pending Reference	150007 - BOSMA-4F5BOA.CPE.001	De-Reference
Flow Identifier List				
Service Connectivity	Service Connectivity	Pending Assign	VPN / 4 / 1	Unassign
Packet Virtual Network	Ethernet EVC Network	Pending Reference	75010 - BOA 400 E-Lan EVC	De-Reference
Customer Site				
Ethernet Access Service	Ethernet Access Service	Pending Assign	75017 - BOA 400 E-Lan 18 Broadway New York	Unassign
Customer Site				
Ethernet Access Service	Ethernet Access Service	Pending Assign	75018 - BOA 400 E-Lan 5 Michigan Ave Chicago	Unassign

Figure 16-5 Service Connectivity Design Tab

Seg #	Gp	A Location	Network	Segment	Z Location
1		4 FANEUILLE MARKET BOSTON US			
2		4 FANEUILLE MARKET BOSTON US BOSMA4F3BOA.CPE.001: 10GigE-150017-1 - GigE/01	75011 - BOA-400 E-Lan	4 FANEUILLE MARKET BOSTON US / BOSMA3PRA / 10GigE / GE1 / 2	BOSMA3PRA SL03/GigE/01/2 - BOSMA3PRA.AR.048
3		BOSMA3PRA BOSMA3PRA.AR.048: SL03/GigE/01/2	75010 - BOA-400 E-Lan	Cross Connect (Interface-bound)	BOSMA3PRA 10GigE/SL02/10Gb/01/1/3 - BOSMA3PRA.AR.048
4					BOSMA3PRA

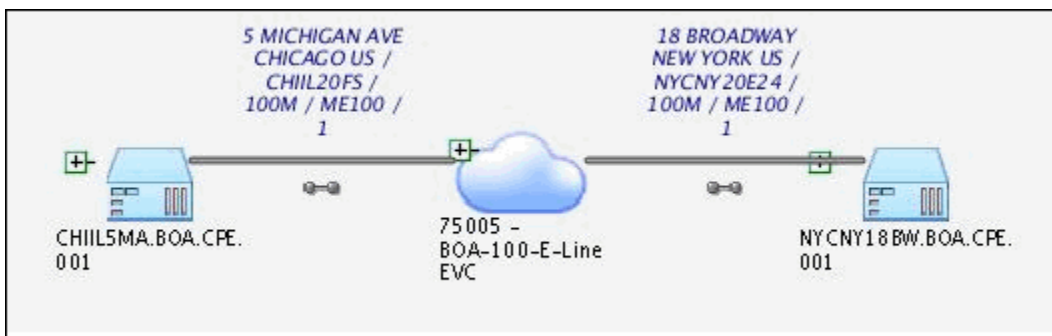
Service Connectivities in Point-to-Point Services

In a point-to-point service, such as an Ethernet E-Line service, the service connectivity spans the whole service from the A service location to the Z service location. Figure 16-6 and Figure 16-7 illustrate a service connectivity in the context of an E-Line service.

Figure 16-6 E-Line Service with Service Connectivity

Service:BOA-100-E-Line - 1 - 1 - BOA-100-E-L				
▼ Locations				
▶ A Service Location	Property Location	Pending Reference	5 MICHIGAN AVE CHICAGO US	De-Reference
▶ Z Service Location	Property Location	Pending Reference	18 BROADWAY NEW YORK US	De-Reference
Service Connectivity	Service Connectivity	Pending Assign	DIA / 100 / 1	Unassign
▼ Packet Virtual Network List				
▶ Packet Virtual Network	Ethernet EVC Network	Pending Reference	75005 - BOA-100-E-Line EVC	De-Reference
▶ PacketVirtualNetwork:BOA-100-E-Li				

Figure 16-7 E-Line Service with Service Connectivity - Schematic View



The service connectivity is enabled by UNI connectivities on the service location ends and network transport inside the service provider networks. Figure 16-8 illustrates the design of the service connectivity shown in the previous figures.

A gap enables the service connectivity within the provider network because the service connectivity reflects only the UNI connectivities up to their PVN trunk interfaces. The gap is automatically labeled **Gap – Network Transport**.

Figure 16-8 E-Line Service Connectivity Design

Seg #	Qp	A Location	Network	Z Location	Segment
1		5 MICHIGAN AVE CHICAGO US			
2		5 MICHIGAN AVE CHICAGO US CHIL5MA.BOA.CPE.001: 100M-150012-1 - 100M		CHIL20FS 100M(SL05,PassE)/01/30/1 -CHIL20FS.AR.045	5 MICHIGAN AVE CHICAGO US / CHIL20FS / 100M / ME100 / 1
3		CHIL20FS CHIL20FS.AR.045: 100M(SL05,PassE)/01/10/1	75025 - BOA-300-E-Line E	CHIL20FS SL03(GigE)/01/2 -CHIL20FS.AR.045	Cross Connect (Interface-bound)
4		CHIL20FS CHIL20FS.AR.045: SL03(GigE)/01/2		NYONY20E24 100M(SL05,PassE)/01/1/1 -NYONY20E24.AR.030	Gap - Network Transport
5		NYONY20E24 NYONY20E24.AR.030: SL03(GigE)/01/1	75025 - BOA-300-E-Line E	NYONY20E24 100M(SL05,PassE)/01/1/1 -NYONY20E24.AR.030	Cross Connect (Interface-bound)
6		NYONY20E24 NYONY20E24.AR.030: 100M(SL05,PassE)/01/1/1		18 BROADWAY NEW YORK US 100M-150014-1 - 100M(PassE)/01/1 -NYONY18BW.BOA.CPE.001	18 BROADWAY NEW YORK US / NYONY20E24 / 100M / ME100 / 1
7				18 BROADWAY NEW YORK US	

17

Pipes

This chapter describes how you can use Pipe entities in Oracle Communications Unified Inventory Management (UIM) to represent connectivity in your inventory.



Note:

This chapter includes examples of implementing channelized and packet connectivity by using Pipe entities. These examples are still valid technically, but Oracle recommends using Connectivity entities for these technologies. Connectivity entities offer more functionality and efficiency than pipes. See "[When to Use Pipes](#)" for more information.

When to Use Pipes

You can use Pipe entities, Connectivity entities, or both to represent connectivity in your inventory.

Most common telecommunications connectivity scenarios can be implemented by using Connectivity entities, which are extensions of Pipe entities. Connectivity entities include more built-in functionality than pipes.

Pipe entities are designed for maximum flexibility, so you must define all of their attributes. Connectivity entities, on the other hand, take advantage of pre-defined rate codes, technologies, functions, and other attributes.

See the following chapters for information about Connectivity entities:

- [Connectivity Overview](#)
- [Channelized Connectivity](#)
- [Packet Connectivity](#)
- [Service Connectivity](#)

You can still implement solutions by using pipes directly, however. For example, pipes might be applicable in situations such as:

- Existing UIM implementations. If you previously modeled connectivity using pipes, you can continue to use those entities. Pipe and Connectivity entities can coexist in the same inventory. Pipes can enable Connectivity entities and Connectivity entities can enable pipes.
- Physical connections, such as cable pairs and local loops.
- Other forms of connectivity not implemented by other entities.

Understanding Pipes

Pipes are the base entities for representing connectivity in UIM. You can use pipes to represent both physical connectivity and logical connectivity. For example, you can use a pipe to represent the logical connectivity of a 64 Kbps PVC (Permanent Virtual Circuit) service trail. You can also use a pipe to represent the physical connectivity of a 100-pair cable.

Pipes can have bandwidth, a type of capacity that specifies the speed and amount of data that can be transported over the pipe. In the case of digital signals, capacity is defined by the speed of the signal. See "[Understanding Capacity and Signal Structure](#)" for more information.

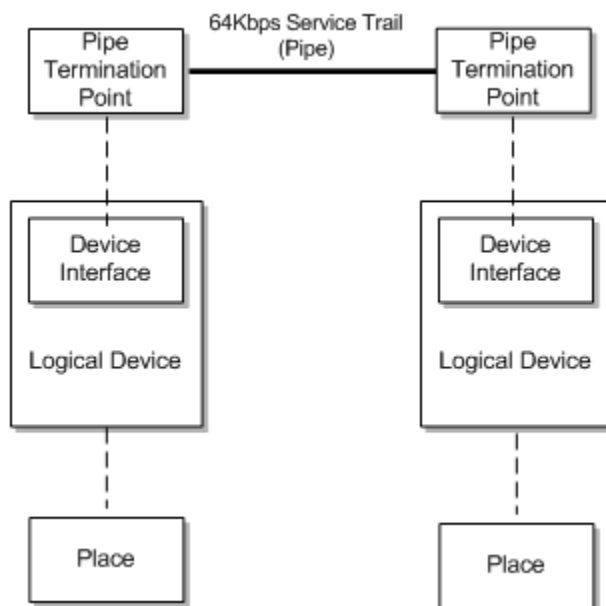
Every pipe has two termination points that represent its two ends. Signals travel over pipes from one termination point to the other. The termination points are created automatically when you create a pipe in UIM.

Termination points can be associated to various kinds of entities, such as device interfaces and ports. This kind of association is called termination. A pipe and its termination points are terminated on the entities to which the pipe termination points are associated.

For example, you can terminate a pipe and its termination points on device interfaces that are provided by logical devices. The logical devices can have place associations to give the termination a geographic context. The place association ensures that the pipe and its associated devices are included in the UIM topology. See "[Topology](#)" for more information.

[Figure 17-1](#) shows resource and place terminations for a 64 Kbps service trail pipe's termination points.

Figure 17-1 Termination Point Resource Terminations



See ["Defining Pipe Specifications"](#) for more information about designing Pipe specifications and creating Pipe entities.

Understanding Pipe Relationships

You use relationships between pipes to define how connectivity is structured in your inventory. Two important types of pipe relationships are *provides* and *enables*.

Provides Relationships

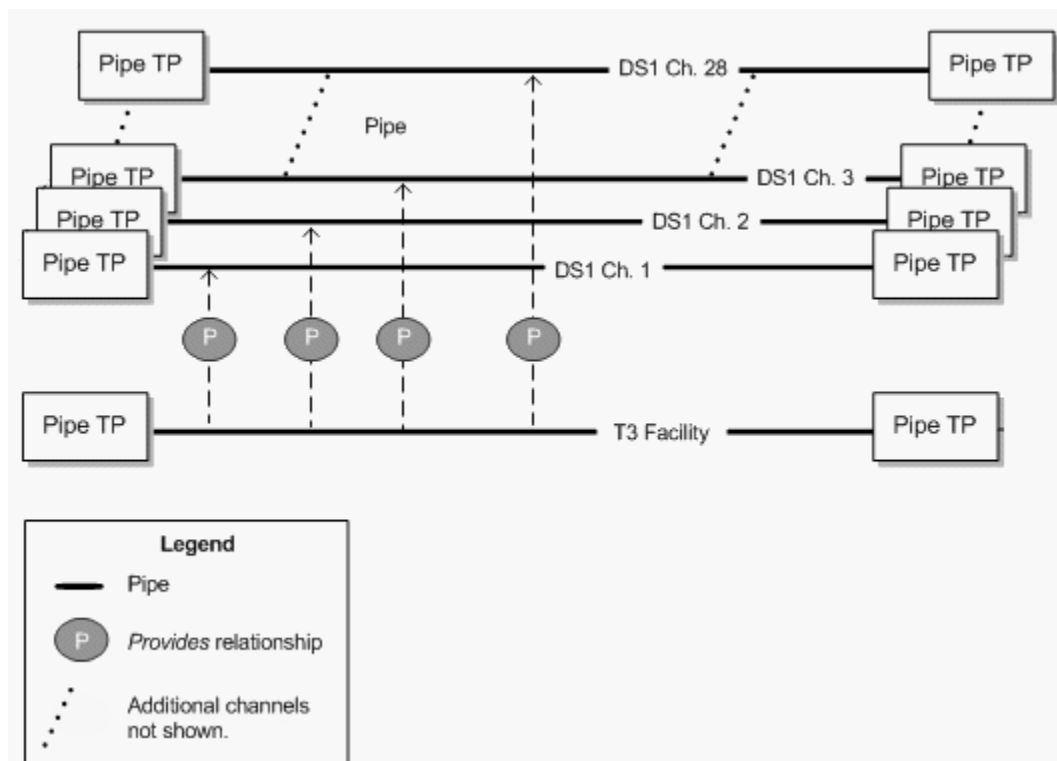
A provides relationship exists when one entity supplies one or more other entities that cannot exist on their own. You create provides relationships by associating a signal structure with a pipe or by building parent-child hierarchies of pipes.

For example, a TDM facility pipe provides channel pipes through signal structures. In this case, UIM automatically builds hierarchies of child pipes based on the signal structure. See ["Understanding Capacity and Signal Structure"](#) for more information about signal structures.

Similarly, a cable pipe provides cable-pair pipes. The child pipes can be defined by the parent pipe's specification. They can also be added manually in UIM. See ["Configuring and Implementing Child Pipes for the Cable/Pair Model"](#) for information about provides relationships in cable and cable-pair pipes.

[Figure 17-2](#) shows a provides relationship between a T3 facility and the 28 DS1 channels that it provides.

Figure 17-2 Pipe Provides Relationship



Enables Relationships

A pipe enables another pipe when it supports the transport of data by the other pipe. In its simplest form, enablement refers to the association of a physical resource, such as a cable pair to a customer service, such as POTS. For example, when you enable a local loop by associating it with a cable pair, you are specifying the physical resource that realizes the connectivity of the customer service.

Similarly, channels provided by a facility can enable a service trail. For example, a 100 Mbps service trail represents the connectivity of some service provided to a customer. You can enable the service trail by associating it with two STS1 channels.

When a pipe enables another pipe, it can provide capacity to the enabled pipe. For example, the STS1 channels mentioned in the previous paragraph supply their capacity, defined in the signal structure of their parent OC3 facility pipe, to the service trail they enable. See "[Understanding Capacity and Signal Structure](#)" for more information.

Pipes can also be enabled by two separate connectivity paths. For example, multiple paths can exist in SONET/SDH. See "[About Multiple Enablement](#)" for more information.

Enables relationships also exist between the pipe termination points of enabling and enabled pipes. In the simplest case, where a single pipe enables another pipe, the termination points of the enabling pipe enable the termination points of the enabled pipe. Pipes can also be enabled by a series of connected pipes that form a connectivity path. The beginning and ending termination points of the connectivity path are therefore not on the same pipe. In this case, the beginning termination point is on the first pipe in the connectivity path and the ending termination point is on the last pipe.

You can enable pipes either manually or automatically by using path analysis. See "[Enabling Pipes](#)" for more information.

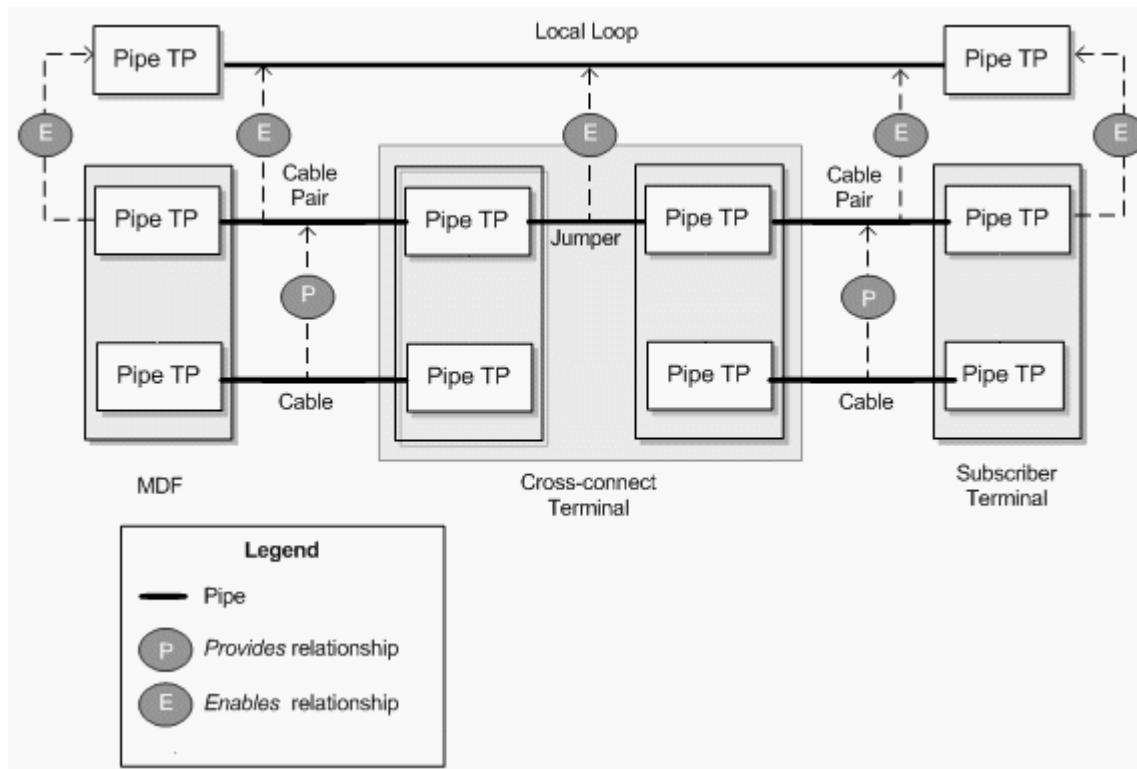
Provides and Enables Relationships in Combination

[Figure 17-3](#) illustrates how the different types of relationships work together. This example shows the enablement of a local loop by cable pairs. The cable pairs are provided by cables. The local loop trail pipe is enabled by the following pipes that form a continuous connectivity path:

- A feeder cable pair that connects an MDF to a cross-connect terminal.
- A cross-connect in the cross-connect terminal. UIM creates cross-connects when two pipes that enable the same trail pipe are terminated on the same physical device, equipment, or logical device. See "[About Connectivity Gaps in Pipe Enablement](#)" for more information.
- A distribution cable pair that connects the cross-connect terminal to the subscriber terminal.

The termination points of the parent cable are mapped to the termination points of the cable pairs they provide. The originating termination point of the first cable pair enables the originating termination point of the local loop, while the end termination point of the second cable pair enables the end termination point of the local loop.

Figure 17-3 Pipe Relationships in a Local Loop Enablement



About Multiple Enablement

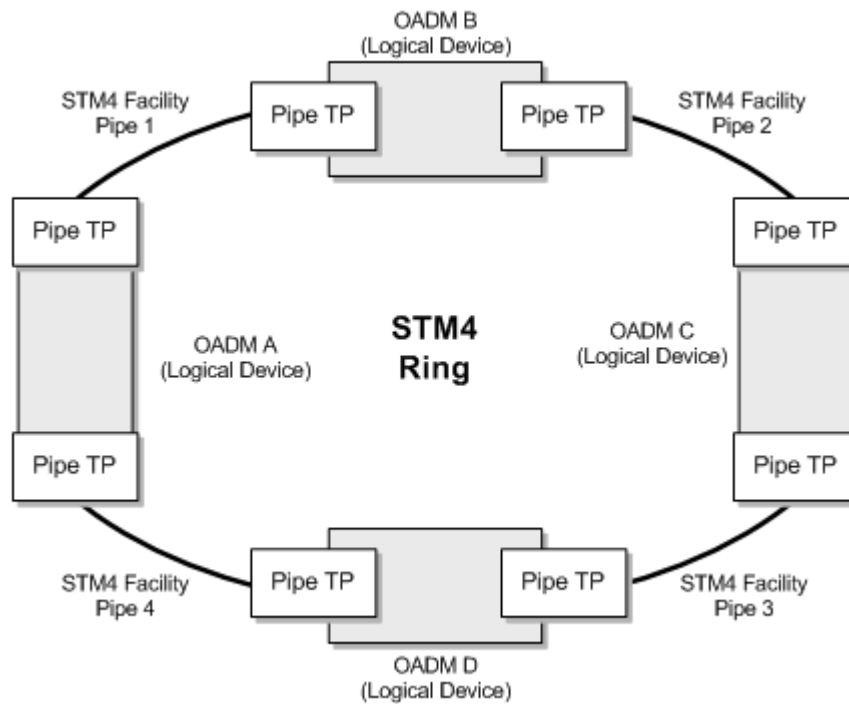
The previous examples describe the enablement of pipes by a single connectivity path. It is also possible for a pipe to be enabled by two separate connectivity paths. This capability is required in ring-based network topologies, such as SONET/SDH, which include both a primary and a secondary path.

Note:

This section describes how you can use Pipe entities to represent an SDH network. Because SDH is a TDM technology, you can also use Channelized Connectivity entities and their specialized functionality for this purpose. See "[Channelized Connectivity](#)" for more information.

For example, consider a single-ring SDH network with four optical add-drop multiplexers (OADMs). The four OADMs are modeled as logical devices with device interfaces on which four STM4 facility pipes are terminated. [Figure 17-4](#) illustrates such a ring.

Figure 17-4 STM4 Ring



To enable an E1 service trail from OADM A to OADM C with both a primary path and a secondary path, you can use two connectivity paths:

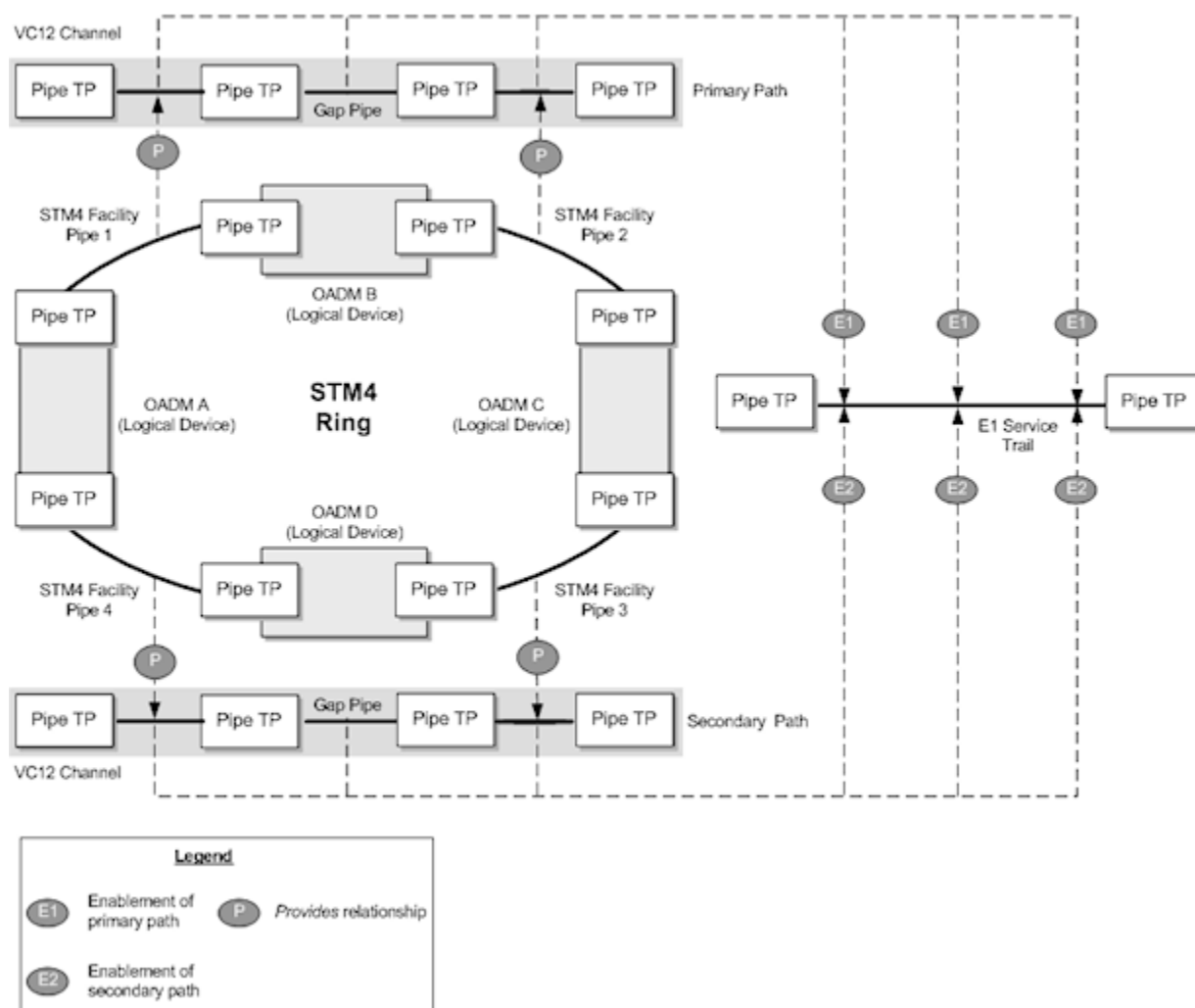
- From OADM A through OADM B to OADM C
- From OADM A through OADM D to OADM C

This connectivity is supplied by VC12 channels provided by the STM4 facility pipes and by gap pipes as shown in [Figure 17-5](#).

 **Note:**

For visual clarity, maps and enables relationships between pipe termination points are not shown in [Figure 17-5](#).

Figure 17-5 Multiple Enablement of an E1 Service Trail



Multiple enablement is also available in more complex ring topologies such as single-homed and dual-homed subtended rings. See "[About Network Topologies](#)" and the Design Studio Help for more information.

Multiple enablement can be done manually or automatically by using path analysis. See "[Enabling Pipes](#)" for more information.

Trail Pipes and Connection Pipes

Pipes are classified into *connections* and *trails* depending on how they function in the inventory:

- Connection pipes are used to directly enable trail pipes. A connection pipe cannot stand on its own. It is always provided by a trail pipe. For example, a DS1 channel cannot exist on its own; it must be provided by a T3 facility. Similarly, cable pairs are always provided by cables.
- Trail pipes can be enabled by other pipes. It can exist on its own and can be enabled by either connection pipes or by other trail pipes. For example, an ATM DS1 trail pipe can be

enabled by a DS1 channel connection pipe. A 56 Kbps PVC service trail can be enabled by an ATM DS1 trail pipe. Trail pipes can also provide connection pipes, such as cable pairs or DS1 channels.

Trail pipes can enable other trail pipes, but not all trail pipes do so. For example, a *service trail* is a logical representation of connectivity offered to a customer between two points. A service trail does not enable anything and must be enabled by a service provider's *facilities*.

A facility pipe is a kind of trail pipe that represents physical or logical connectivity owned by a service provider. Facilities can enable service trails or other facilities. For example, TDM facility pipes provide channels (connection pipes) that enable other trail pipes. In this situation, the facility pipe indirectly enables other pipes through its channel pipes.

Other facility pipes enable other pipes directly. For example, an ATM packet facility directly enables other trail pipes by providing capacity in the form of variable bandwidth.

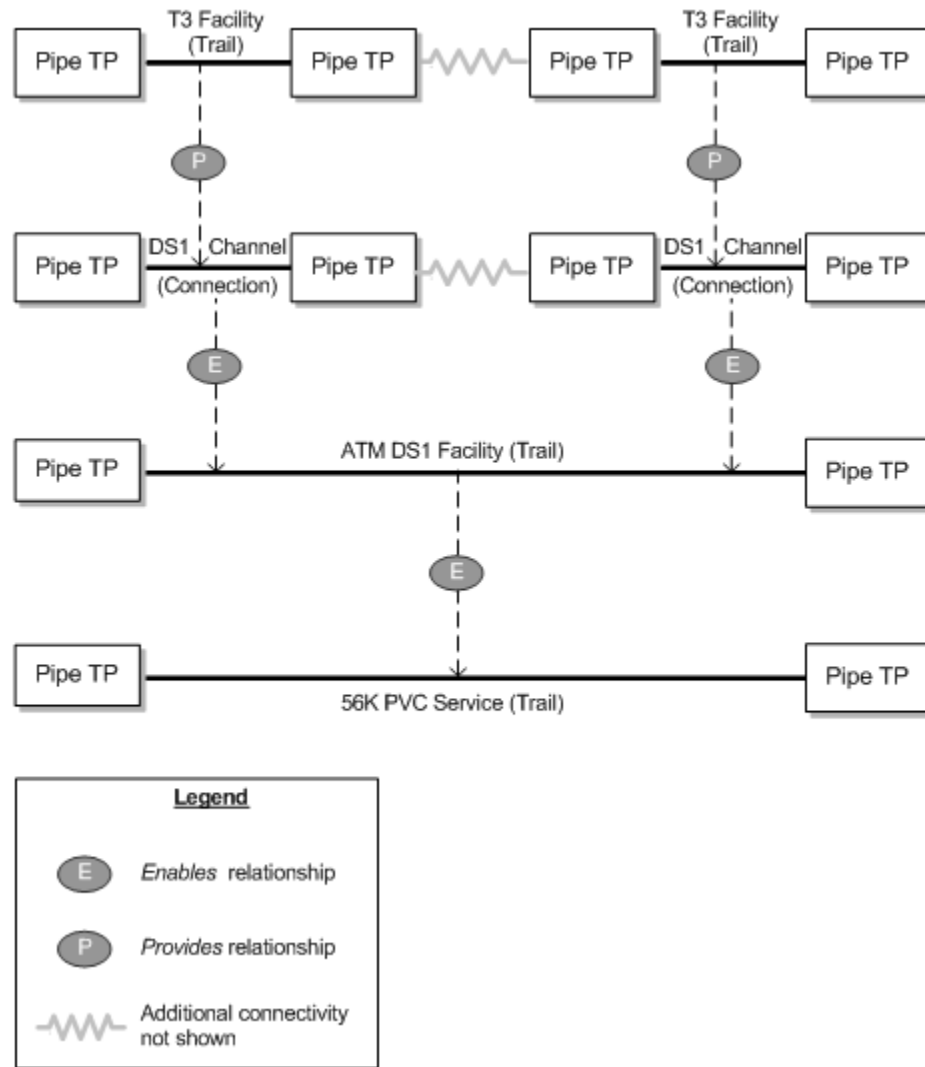
[Figure 17-6](#) illustrates the kinds of relationships that can exist among trail and connection pipes. Two T3 facilities (trail pipes), along with additional connectivity not shown, provide DS1 channels (connection pipes). These channels, with additional connectivity between them, form a connectivity path that enables an ATM DS1 facility (trail pipe). The ATM DS1 facility in turn enables another trail pipe, a 56 Kbps PVC service trail.



Note:

For visual clarity, [Figure 17-7](#) does not show relationships among pipe termination points.

Figure 17-6 Trail and Connection Pipes



Understanding Pipe Configurations

Pipe configurations enable you to specify pipe enablements and termination point resource assignments that change over time. For example, a service trail could be enabled by a particular connectivity path when it is first created. As the network evolves, new enablement possibilities may emerge. By versioning the service trail pipe configurations, you can update the enablement and specify when the change becomes effective. Pipe configurations can include multiple enablements, as in SONET or SDH. See "[About Multiple Enablement](#)" for more information.

Pipe configurations are similar to other entity configurations in concept, but they have some special features:

- They are available only for pipes that have specifically been designated as versionable.
- Pipe configuration specifications are limited to specification options related to transport and termination point resource assignment.

- When you define a pipe configuration specification, you can specify that only entities based on a particular Pipe specification can be used for enablement. Path analysis returns only pipes based on the designated specifications when it finds connectivity paths.
- You can specify a particular type of device or equipment that must be included as an intermediate node in the connectivity path that enables the pipe. For example, when you enable a DSL service trail pipe from a subscriber terminal to a local exchange or CO switch, path analysis would normally find the most direct path between the end points, bypassing the DSLAM. You can specify that a DSLAM entity must be included as an intermediate node. In this case, path analysis searches for paths that run from the subscriber terminal to a DSLAM and from the DSLAM to the switch.

See "[Designing and Implementing Pipe Configurations](#)" for information about designing and implementing pipe configurations. See "[Enabling Pipes](#)" for information about enablement, including path analysis.

Understanding Pipe Directionality

Some pipes have directionality, which defines the direction that signals or routes flow through a pipe. This might be necessary, for example, if the pipes enabling a service trail pipe share termination points in a way that causes ambiguity about the connectivity path. By setting the directionality of the service trail, you can resolve the ambiguity.

There are two independent directionality settings:

- **Signal directionality** refers to the direction that signals flow on the pipe. Most pipes are bi-directional, meaning that signals flow in both directions. Other pipes are uni-directional, meaning that signals flow in one direction only. Examples of uni-directional pipes are alarm and control operation connections.
- **Routing directionality** restricts or enables functions such as path analysis. For example, you can define a pipe as uni-directional for routing purposes to restrict the route of a connection from an originating point to a specific terminating point while avoiding certain path segments.

For example, you use routing directionality to ensure proper routing to and from the DSLAM in a DSL enablement. DSLAMs normally have two sides, a cable/subscriber side and a switch/office side. Pipes connect the two DSLAM sides to the MDF, where connections are made between the cable/subscriber pipe and the cable pair or local loop and between the switch/office pipe and the POTS switch. Routing directionality ensures that these MDF connections are made properly. The routing direction for the cable/subscriber-side pipes is from the MDF to the DSLAM. The routing direction for the switch/office-side pipes is from the DSLAM to the MDF.

You set the directionality of a pipe by specifying which termination point is the source (starting point) and which is the sink (ending point). Signals and routes flow from source to sink. Path analysis uses this direction information with the source of the query serving as the subscriber terminal device and the target as the switch device.

See the UIM Help for more information about setting pipe directionality.

About Connectivity Gaps in Pipe Enablement

A connectivity gap occurs in the design of a pipe trail when there is not sufficient information or continuity to complete a path.

UIM can automatically resolve these gaps during enablement in certain situations. Cross-connects are created when the two enabling pipes are terminated on device interfaces within the same logical device and at least one terminates on a sub-device interface. In other situations, UIM cannot resolve the gap and it remains part of the enablement.

UIM can automatically resolve these gaps during enablement in certain situations:

- A trail-bound cross-connect is created when the two enabling pipes are terminated on device interfaces within the same logical device and at least one terminates on a sub-device interface.
- A trail-bound jumper is created when the two enabling pipes are terminated on ports provided by a single Physical Device or Equipment entity or by two Physical Device or Equipment entities at the same property location.

In other situations, UIM cannot resolve the gap and it remains part of the enablement. See "[About Interconnections](#)" for more information about cross-connects and jumpers.

Connectivity gaps also exist for channelized connectivity, but are used in somewhat different ways. See "[About Connectivity Gaps](#)" for more information.

Understanding Capacity and Signal Structure

In UIM, capacity refers to the amount and type of resource that entities require or provide. You define the nature of the capacity, how it is measured, and how it is used. See "[Capacity](#)" for more information about capacity.

Note:

Pipes and signal termination points are the only UIM entities that can use the capacity framework by default.

In the specific case of connectivity, capacity is bandwidth consumed or provided by pipes. When a pipe enables another pipe, its bandwidth can be consumed by the enabled pipe. Pipes can offer capacity in the following ways:

- As a unit. For example, a cable pair's capacity can only be consumed as a whole by the pipe it enables. In this case, you do not explicitly define the pipe's capacity because it cannot be consumed in fractions or smaller units.
- In fractions of capacity. For example, an ATM DS3 facility pipe provides a total capacity of 44.736 Mbps. This capacity can be consumed in variable amounts by pipes enabled by the facility. For example, a PVC service trail could use 64 Kbps of the DS3 pipe's bandwidth. See "[Understanding Packet Capacity](#)" for more information.
- In increments, in the form of channels with unit capacity. TDM divides bandwidth into channels that can be consumed in whole or in part by other pipes. For example, a T3 facility pipe can provide a total of 44.736 Mbps divided into 28 D1 channel pipes of 1.544 Mbps unit capacity. You provide channelized capacity by associating a signal structure

with the pipe. See "[Understanding Signal Structures](#)" for more information about signal structures.

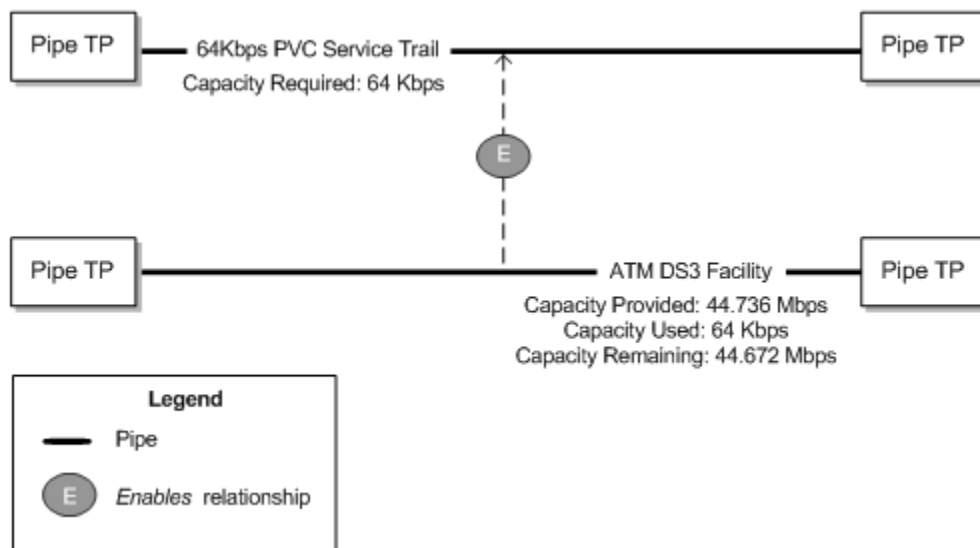
These ways of providing and consuming capacity correspond to the three pipe models supported by UIM. See "[Understanding Pipe Models](#)" for more information.

Understanding Packet Capacity

For pipes based on packet connectivity, you define capacity by defining the pipe's capacity required (the amount of bandwidth it needs for its own enablement) and capacity provided (the amount of bandwidth it makes available to pipes that it enables). Some pipes have both capacity required and capacity provided because they can enable other pipes and also be enabled by other pipes. Other pipes, such as service trail pipes, have only capacity required because they are not used to enable other pipes.

[Figure 17-7](#) shows an example of packet capacity usage. It depicts an ATM DS3 facility pipe enabling a 64 Kbps service trail. The DS3 pipe requires and provides 44.736 Mbps. The service trail consumes 64 Kbps, leaving the DS3 facility pipe with 44.672 Mbps of capacity that can enable other pipes. (For simplicity, the enablement of the ATM DS3 pipe is not shown.)

Figure 17-7 Packet Capacity Example



See "[Configuring Capacity for Packet Facility Pipes](#)" for information about designing and implementing capacity for packet pipes.

Understanding Signal Structures

Signal structures support connectivity by defining the capacity and channel hierarchy of TDM facility pipes. Signal structures can support North American (for example, T1 or OC12) and European (for example, E1 or STM4) digital signal rates. You should be familiar with the basics of these kinds of digital signal technologies before reading this section.

 **Note:**

Channelized Connectivity entities use a different system for defining signal structures. See "[About the UIM Signal Architecture](#)" for more information.

When you associate a signal structure to a Pipe specification, the capacity defined in the signal structure becomes available to pipes based on that specification and to the pipes they provide. The hierarchy of the signal structure determines the way this capacity can be distributed. For example, if you create a T3 signal structure comprising 28 DS1 channels, you can assign it to a T3 facility Pipe specification. That makes the 44.736 Mbps of capacity available to the facility pipe, to be distributed in 28 DS1 channels of 1.544 Mbps each.

You can configure signal structures so that channels can enable pipes that do not have exactly matching capacities. For example, in SDH, a VC3 channel signal of 51.840 Mbps can support a VC3 facility at 51.840 Mbps facility or an E3 facility at 34.368 Mbps. The entire channel is consumed, even if the enabled pipe uses less than the full capacity. Any remaining capacity is unavailable. See "[Configuring Capacity with Signal Structures](#)" and the Design Studio Help for more information.

Simple and Complex Signal Structures

Signal structures can be divided into simple and complex categories:

- A simple signal structure has only two levels: a TTP (Trail Termination Point) and one level of CTPs (Connection Termination Points).
- A complex signal structure has more than two levels: a TTP and two or more levels of CTPs. Each layer in the structure defines how its parent signal breaks down to a lower rate.

The distinction between simple and complex signal structures is important because it governs how channel pipes associated with signal structures are created in UIM.

- When you create a pipe associated with a simple signal structure, all of the channels provided by the pipe are created automatically by UIM, even if they are not currently needed to provide capacity to pipes. Automatic creation of channel pipes is possible because there is no ambiguity about how these channels can be used. They can only be used individually.

For example, if a DS3 signal structure is mapped to a facility pipe, the 28 DS1 channel pipes provided by the facility are created automatically when you create a DS3 facility pipe. There is no ambiguity about how the DS3 will be channelized, so the channels can be created automatically.

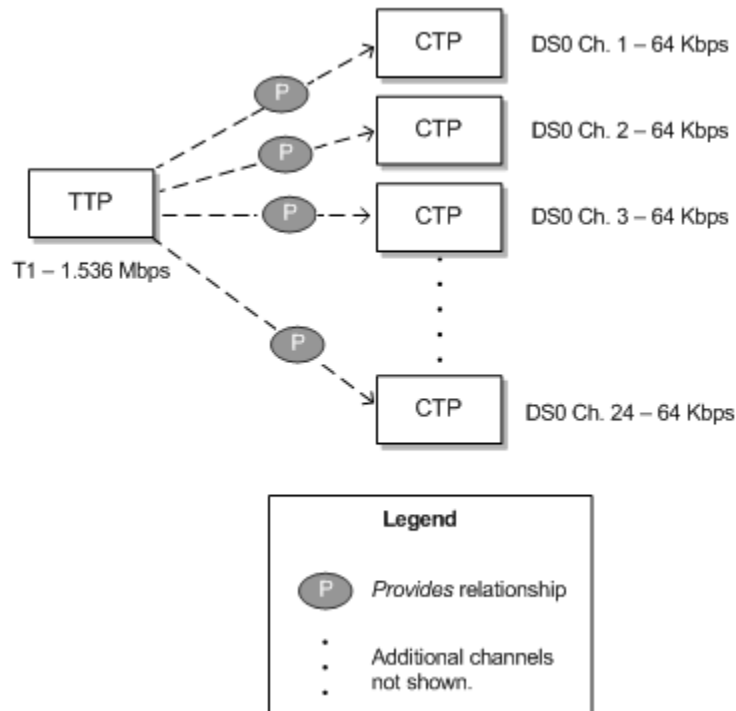
- In complex signal structures, the system cannot know in advance how channels will be used. A higher-level CTP may be mapped as a whole to a pipe, thus making its lower-level CTPs unavailable. Alternatively, low-level CTPs may be mapped individually, thus making its parent CTP unavailable as whole units. Because of this potential ambiguity, UIM creates channels for pipes with complex signal structures only when the channels are required.

See "[Configuring Capacity with Signal Structures](#)" for more information about working with signal structures in UIM.

Simple Signal Structures

Simple signal structures have a hierarchy with only two levels: the TTP and one level of CTPs. For example, a T1 signal structure comprises a TTP with a total capacity of 1.536 Mbps and 28 CTPs representing 64 Kbps DS0 channels. [Figure 17-8](#) illustrates such a signal structure. Other examples include T3 with 28 DS1 channels and E1 with 30 DS0 voice channels.

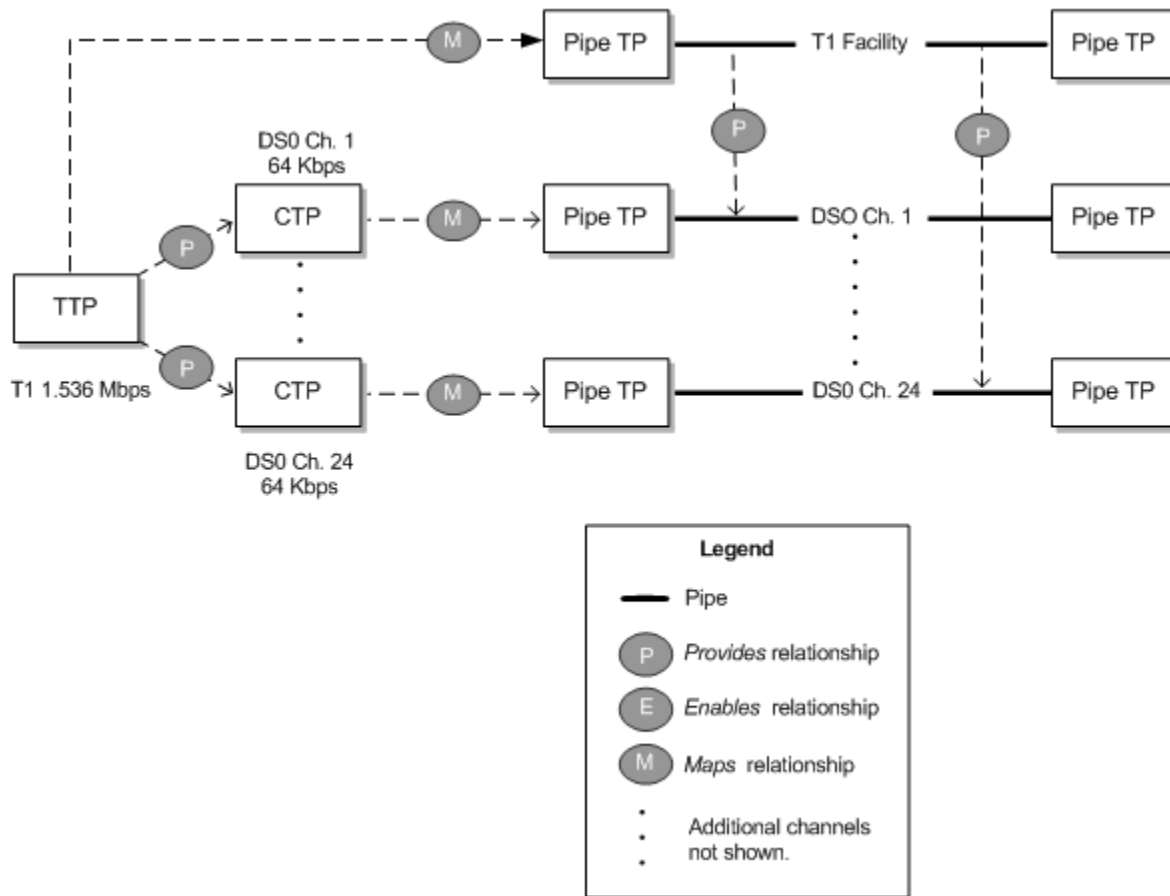
Figure 17-8 Simple Signal Structure



To supply capacity, the TTP is mapped to the termination points of a pipe. The individual channels defined by the signal structure can then be used to supply capacity to pipes provided by the one associated with the TTP. See "[Configuring and Implementing Pipe Termination](#)" for information about mapping signal structures to pipe termination points.

[Figure 17-9](#) illustrates a simple signal structure mapped to pipes. Each of the 24 DS0 channels defined in the signal structure is mapped to a DS0 channel provided by the T1 facility to which the signal structure as a whole is mapped.

Figure 17-9 Simple Signal Structure Mapped to Pipes



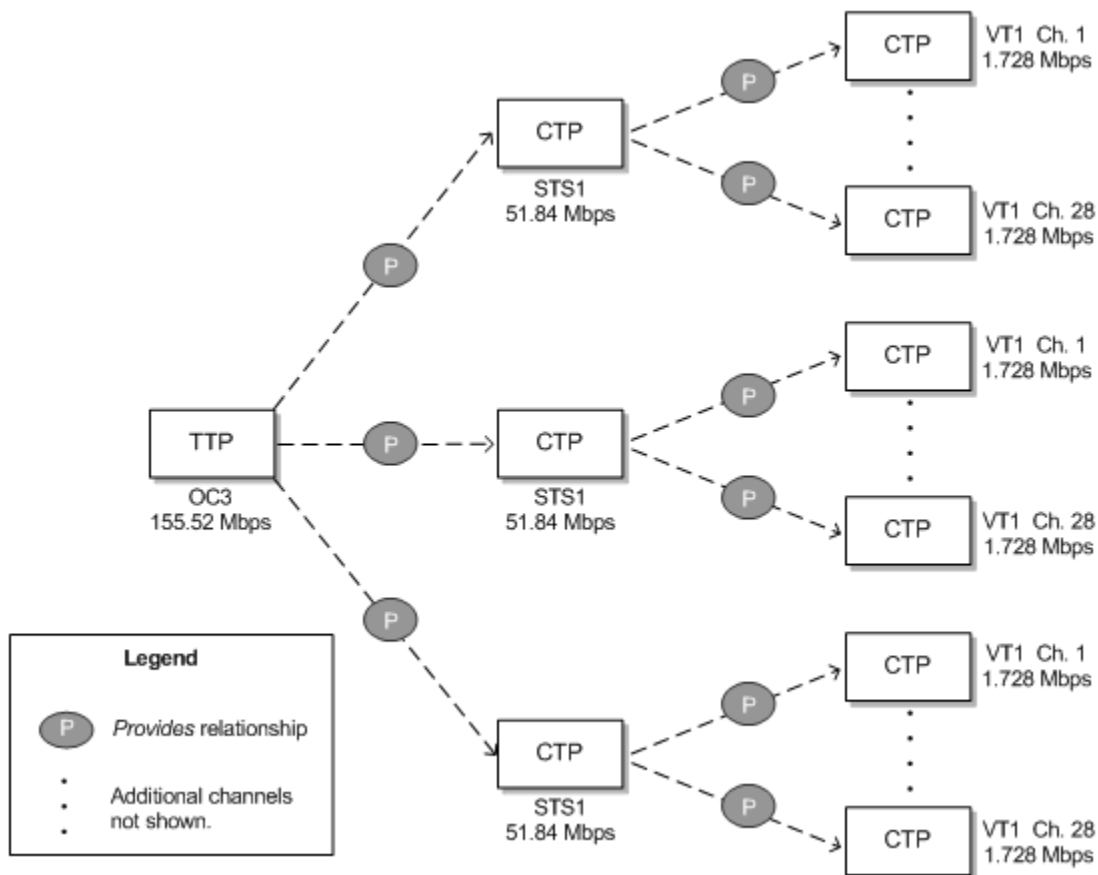
In UIM, if you create a T1 facility pipe entity with this signal structure, all of its DS0 channels will automatically be created at the same time. See "[Defining Pipe Specifications](#)" for information about creating pipes.

Complex Signal Structures

Complex signal structures are those that contain more than two levels. Examples include OC3, OC12, OC48, and STM1 structures. [Figure 17-10](#) illustrates an OC3 signal structure.

The TTP represents the entire signal structure with 155.52 Mbps capacity. The OC3 is decomposed into two levels of channels. The first level comprises three STS1 channels, each with 51.84 Mbps. Each of the STS1 channels is further subdivided into 28 VT1 channels with 1.728 Mbps each. (The total of all of the VT1 channels' capacity is slightly less than the total C3 capacity of 155.52 Mbps because of some loss to overhead.)

Figure 17-10 OC3 Signal Structure



In UIM, the hierarchy of CTPs in the signal structure dictates some rules about how the structure's capacity can be used:

- After a channel pipe has been used to enable another pipe, higher-level channels in the structure no longer have their full capacity available. In other words, the parent channel cannot be used as a whole unit. For example, if you use one or more VT1 channels from an STS1 channel in an OC3 signal structure to enable a service trail, the STS1 channel as a whole is no longer available. Its remaining unused VT1 channels are available, however.
- Child channels below a parent channel that is being used to enable a pipe are not available because their cumulative capacity has been used by the parent. For example, if you use an entire STS1 channel in an OC3 signal structure to enable a facility pipe, the individual VT1 channels in the STS1 are no longer available.

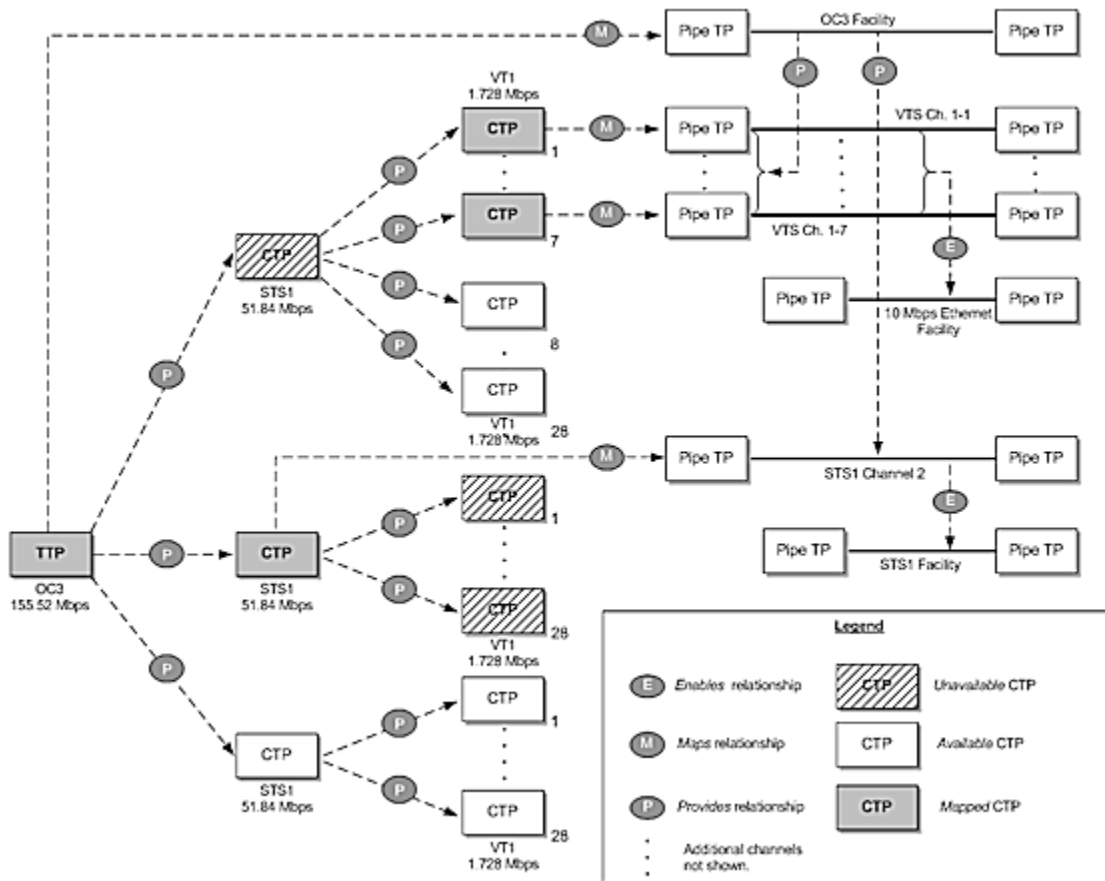
Figure 17-11 illustrates the OC3 signal structure from Figure 17-10 mapped to an OC3 facility pipe.

- The TTP of the signal structure is mapped to the OC3 facility pipe itself.
- The CTPs for the first seven VT1 channels in the first STS1 channel are mapped to seven VTS channels provided by the OC3 facility. These seven VTS channels are then used to enable an 18 Mbps Ethernet facility pipe.

Because some VT1 channels in this STS1 have been used, the STS1 as a whole is now unavailable. Its remaining VT1s can be used, however.

- The CTP for the second STS1 channel in the signal structure is mapped to an STS1 channel provided by the OC3 facility. This channel in turn enables an STS1 facility pipe. Because the STS1 channel in the signal structure is used as a whole, none of its VT1 channels is available for use.

Figure 17-11 Complex Signal Structure Mapped to an OC3 Facility



Modeling Connectivity in Design Studio and UIM

You define specifications for connectivity entities in Design Studio and create entities based on those specifications in UIM. The following sections provide high-level information about designing and implementing connectivity entities. See the Design Studio Help and the UIM Help for detailed information about using the applications.

Defining Pipe Specifications

You define specifications for pipes in Design Studio. When you create a Pipe specification, you define several aspects of pipes based on the specification:

- Pipe configurations and versioning. Configurations enable you to create versions of the pipe in which enablement and resource termination change over time. Pipe configurations and versioning are optional. See "[Designing and Implementing Pipe Configurations](#)" for more information.

- Child pipes that can be provided by the pipe you are defining, such as cable-pair pipes provided by a cable. To define child pipes, you associate the specification of the child pipe to the parent pipe and specify minimum and maximum quantities. See "[Configuring and Implementing Child Pipes for the Cable/Pair Model](#)" for more information.
- Pipe Termination Point specifications to apply to the pipe's termination points. Specifications for pipe termination points are optional. You use them only to associate characteristics or rulesets with them. You associate Pipe Termination Point specifications to Pipe specifications because their termination points are created automatically when the pipe is created. See "[Configuring and Implementing Pipe Termination](#)" for more information.
- Characteristics that are appropriate for the specification. For example, to record technical details about a pipe, you can add one or more characteristics for that information. See the Design Studio Help for information about adding characteristics to specifications.
- The pipe's capacity. You can define a pipe's capacity in one of two ways:
 - For non-TDM (packet) pipes, by associating Capacity Provided and Capacity Required specifications to the Pipe specifications. See "[Configuring Pipe Capacity](#)" for more information.
 - For TDM pipes, associating a Signal Termination Point specification and signal structure with the Pipe specification. See "[Configuring Capacity with Signal Structures](#)" for more information.
- The optical fiber pipes and channels. You can create optical fiber pipes and their corresponding channels for Coarse Wavelength Division Multiplexing (CWDM) and Dense Wavelength Division Multiplexing (DWDM). See UIM Help for more information on CWDM and DWDM pipes and channels.

 **Note:**

The UIM package includes **ora_uim_basewdm** cartridge, which you can deploy to access the optical fiber specifications for CWDM and DWDM.

- You use the Fixed Grid option to channelize the frequency of DWDM into fixed size channels using the offset and channel spacing. Whereas, the Flex Grid option creates variable size channels based on the Starting Frequency, Flex Grid Channel Spacing and Number of Channels that you select while creating the Fiber Channels using Provides.

Different types of pipes include different combinations of these features; no single pipe includes all of the feature. There are three basic pipe models: cable/pair, packet facility, and TDM facility. Each model has a distinctive combination of features. See "[Understanding Pipe Models](#)" for more information.

See the Design Studio Help for more information about designing Pipe specifications.

Creating Pipe Entities in UIM

In UIM, when you create a Pipe entity based on a specification, the entity reflects the configuration choices you made in Design Studio. For example, if the Pipe specification includes child pipes, the minimum number will be created.

In UIM, you can associate a pipe entity with parties, roles, and other entities. For example, you can use role and party associations to record that a pipe is leased from another company, managed by a particular department, and used to support a specific customer. You can associate the following entity types with pipes:

- Places
- Roles
- Involvements
- Business interactions
- Reservations
- Inventory groups
- Conditions

See the UIM Help for more information.

Understanding Pipe Models

UIM supports three different pipe models. The models are defined by how a pipe provides child pipes and by the way its capacity is structured. Path analysis and other processes are designed to support these models.



Note:

Connectivity models other than those described in this section are not supported by path analysis.

Cable/Pair Model

In this model, a parent pipe represents a copper or fiber cable. This cable pipe provides child pipes that represent twisted pairs or fiber strands. Cable pipes are configured in the following way:

- Minimum and maximum quantities for the child pipes are typically identical. As a result, all of them are created automatically when the parent pipe is created in UIM.
- No capacity is provided or required. Because cables and cable pairs can be used only as whole units, no explicit definition of capacity is necessary.
- No signal structure is present.

The cable and cable-pair pipes shown in [Figure 17-3](#), would be configured according to this model.

Packet Facility Model

This model supports Layer 2 links, such as ATM, Frame Relay, and Ethernet. Pipes based on this model provide capacity in bulk to pipes that they enable. An enabled pipe can consume the entire capacity or some smaller quantity depending on its requirements. The facility pipe can enable any number of pipes as long as its maximum capacity and usage percentage are not exceeded.

Packet facility pipes are configured in the following way:

- No signal structure is defined.
- The capacity required is the capacity that the pipe needs from another pipe for enablement.
- The capacity provided is the total capacity provided by the facility pipe.
- No child pipes are defined.

[Figure 17-7](#), illustrates a packet enablement scenario. The facility pipe would be configured according to this model.

TDM Facility Model

This model supports channelized technologies, such as TDM/PDH and SONET/SDH.



Note:

While you can use this pipe-based model to represent channelized connectivity, specialized capabilities are available when you use Channelized Connectivity entities. See "[Channelized Connectivity](#)" for more information.

In this model, facility pipes provide channels that enable service trails. A signal structure is associated to the facility pipe to define its capacity and channelization.

TDM facility pipes are configured in the following way:

- The capacity required is the capacity that is required when enabled by another pipe.
- The pipe includes a signal structure that defines the pipe's capacity provided and how its signal is channelized.
- The capacity provided is not defined directly in the Pipe specification: it is inherited from the signal structure.
- No child pipes are defined. Child pipes are unnecessary because the signal structure defines the channelization of the pipe's signal. Channels are created either automatically or as needed in UIM depending on how the signal structure is organized.

The following figures illustrate various scenarios that involve pipes based on the TDM facility model.

- [Figure 17-7](#)
- [Figure 17-9](#)
- [Figure 17-11](#)

Designing and Implementing Pipe Configurations

Pipe configurations allow for versioning in pipe designs. You can use pipe configurations to record changes to a pipe's terminations and enablement over time. See "[Configurations](#)" for more information about entity configurations; see "[Understanding Pipe Configurations](#)" for more information about pipe configurations.

Defining Pipe Configuration Specifications

You define Pipe Configuration specifications and associate them to Pipe specifications in Design Studio. When you create an entity based on the Pipe specification in UIM, you specify that it is versioned to make possible the creation of pipe configuration versions. See ["Implementing Pipe Configurations in UIM"](#) for more information.

When you design a Pipe Configuration specification, you can add the following configuration items:

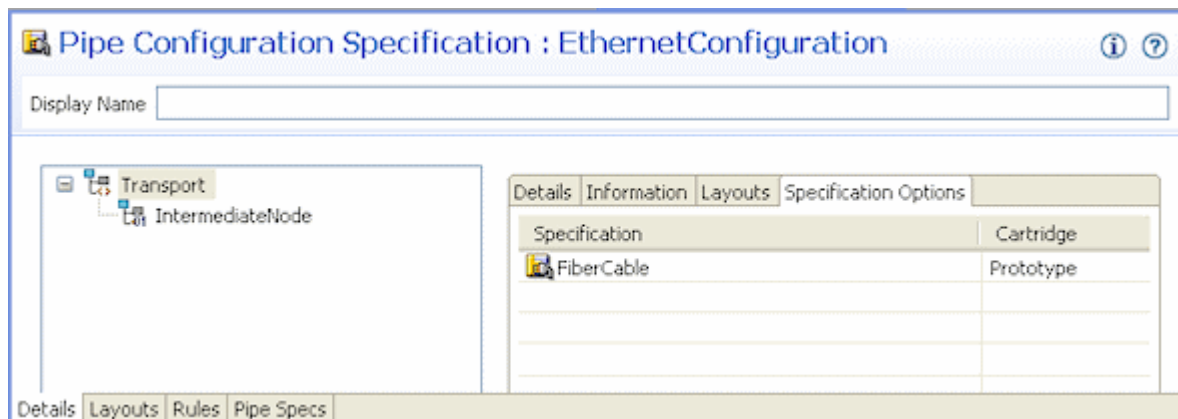
- **Termination.** Limits the types of resources on which the pipe can be terminated. You can choose different resources for originating and terminating termination.
- **Transport.** Limits the types of pipes that can enable the pipe.
- **Intermediate Node.** Specifies a device or piece of equipment that must be in the connectivity path that enables the pipe. If you specify an intermediate node, that node must be included in enablements whether they are done manually or automatically.

You can constrain the resources that can be used for the **Termination**, **Transport**, and **Intermediate Node** configuration items by specifying entity specifications as specification options. The resources available for termination, transport, and intermediate nodes are limited to entities based on the selected specifications. If you do not add a configuration item or do not select an entity specification for a configuration item, any entity of the supported types (such as pipes for the **Transport** configuration item) is allowed.

The specification options in a configuration specification are enforced when you configure enablement or resource assignment. They also apply during automatic enablement using path analysis.

[Figure 17-12](#) shows a Pipe Configuration specification for an Ethernet service trail pipe. A **Transport** configuration item has been added, with a specification option that defines that only entities based on the FiberCable specification can enable the pipe. An **Intermediate Node** configuration item has also been included.

Figure 17-12 Pipe Configuration Specification



Implementing Pipe Configurations in UIM

When you create a pipe in UIM based on a specification that is associated with a Pipe Configuration specification, you can choose to version the pipe. (You can also configure a pipe to be versioned after you create it, as long as no resources have been assigned to it.)

When you add a pipe configuration, the resource assignments you make to terminate the pipe and the pipes you select to enable it (either manually or through path analysis) are captured as part of the configuration. The configuration becomes effective when it is transitioned into Completed state. See "[Life Cycles and Statuses](#)", for more information about life cycles and statuses.

For versioned pipes, you perform manual enablement or automatic enablement (path analysis) from the Summary page of the pipe configuration. Each version of the pipe configuration design can have a different enablement; a redesign with different enablement is often the reason for creating a new version.

After a configuration version has been completed or canceled, you cannot change its enablement. You must create a new configuration version for the updated enablement. You use the Pipe Configuration Enablement section in the Pipe Configuration page to specify the pipes that enable the parent pipe of the configuration.

See "[Enabling Pipes](#)" and the UIM Help for more information about enablement.

[Figure 17-13](#) shows the Summary page for a pipe configuration. You use the Pipe Configuration Enablement section of the page for manual enablement.

Figure 17-13 Pipe Configuration

Pipe Configuration-23 - Version1 Related Pages ▾ Actions ▾

Pipe-Configuration Information Edit

Version 1	Status In Progress
ID Pi_23_1	Start Date 9/29/2011
Name Pi_23_1	End Date
Specification TM Pipe Configuration Spec	Pipe
Previous Configuration	

Primary Path Enablement Alternate Primary Paths

25 Originating Termination Point: Change/Clear 26 Terminating Termination Point: Change/Clear

Actions ▾ View ▾ Associate Detach

Segment Sequence	Parent			Child		
	TP	Pipe	TP	TP	Pipe	TP
No data to display.						
Total Results: 0						

Configuring and Implementing Pipe Termination

You can associate Pipe Termination Point specifications to Pipe specifications when you design a pipe in Design Studio. Pipe Termination Point specifications are necessary only to add characteristics to capture specific information about the termination point, to associate rulesets to the termination points, or to limit the types of resources with which the termination points can be associated. If you do not associate a Pipe Termination Point specification with the Pipe specification, the pipe's termination points are created without specification in UIM.

See the Design Studio Help for more information about creating Pipe Termination Point specifications and associating them with Pipe specifications.

In UIM, you associate pipe termination points to entities in the inventory to describe where the pipe terminates. You can associate the following kinds of resources to pipe termination points:

- Connector
- Device interface
- Equipment
- Logical device
- Network
- Physical Device
- Port

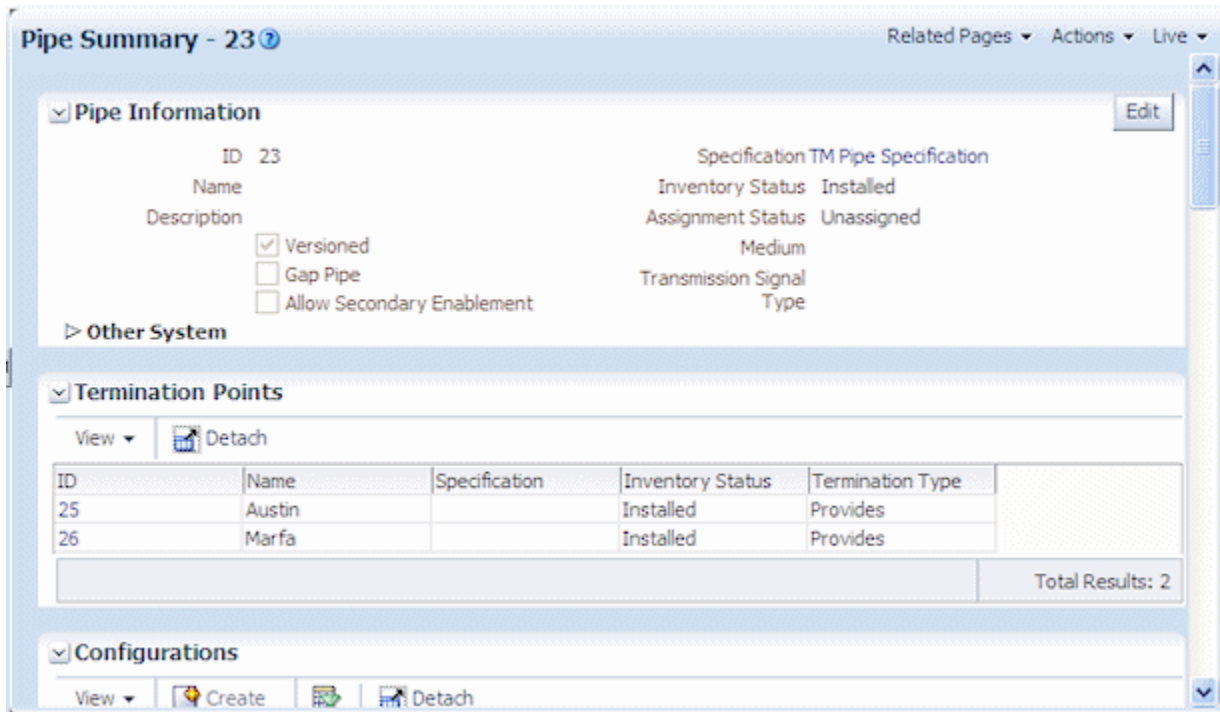
If the pipe termination points were created with a specification, it may limit the type of resources on which the pipe can terminate. For, example, a Pipe Termination specification may limit pipe termination to entities based on a particular Device Interface specification.

The resources that a pipe terminates on are assigned to the pipe and are not available to be consumed by other services, sites, or resources unless its specification indicates that it can be assigned to multiple entities. See "[Consumption](#)" for more information about shared consumption.

When pipe termination points are terminated on entities that have place associations, UIM includes the pipe in the inventory topology. See "[Topology](#)" for more information.

[Figure 17-14](#) shows information about the termination points in a UIM Pipe Summary page. The termination points were created without specification.

Figure 17-14 Pipe Termination Points in UIM



See the UIM Help for more information about managing pipe termination in UIM.

Configuring and Implementing Child Pipes for the Cable/Pair Model

When you design a cable pipe based on the Cable/Pair model in Design Studio, you specify which Pipe specification should be used for its child pipes. You also specify the minimum and maximum number of child pipes.

For example, if you are designing a specification for a 25-pair copper cable, you include the specification for the cable-pair pipes that the cable provides. You specify a minimum number of cable pairs that will be created automatically when you create an entity based on the cable specification in UIM. You also specify the maximum number of cable pairs that the cable can provide. In most cases, you set the minimum and maximum to the same value to ensure that all the cable pairs are created when the parent pipe is created.

See the Design Studio Help for information about designing parent and child Pipe specifications.

After you create a parent pipe and its minimum number of child pipes in UIM, you can add additional child pipes if the maximum number has not been reached. After additional child pipes have been added, you can delete them until the minimum is reached.

You can view a parent pipe's hierarchy of child pipes in the Pipe Hierarchy section of a Pipe Summary page. Each child pipe is shown along with the identity, inventory status, and assignment status of pipes it enables.

See the UIM Help for more information about managing child pipes in UIM.

About Pipe Termination and Rate Codes

Although rate codes apply primarily to channelized connectivity, they are also relevant when you terminate pipe connectivity. (See "[About Rate Codes](#)" for information about rate codes in general.)

When you terminate a pipe that has bit rate capacity on a device interface that has a rate code, UIM validates the pipe's capacity against the device interface's rate code. (UIM validates against the pipe's capacity required first. If no capacity required value exists, UIM validates against the capacity provided.) If the pipe's capacity matches the bit rate of the device interface's rate code, UIM allows the termination.

You can define a capacity variance that specifies how much the capacity can vary from the rate code and still be validated successfully. The variance is a percentage that you specify with the **connectivity.capacityVariant** parameter in the **system-config.properties** file. See *UIM System Administrator's Guide* for more information about setting configuration parameters.

Setting a capacity variance is particularly useful when you have upgraded from a previous version of UIM. In this situation, you may have existing pipe capacity defined with bit rates that do not exactly match the rate code bit rates due to rounding.

Configuring Pipe Capacity

Pipes provide and require capacity in the form of bandwidth. You can define pipe capacity for Pipe specifications in Design Studio in two different ways:

- By associating Capacity Provided and Capacity Required specifications to Pipe specifications. You use this method of defining capacity for pipes based on the packet facility model. (See "[Packet Facility Model](#)" for more information.) For example, you use Capacity Provided and Capacity Required specifications for pipes that represent packet-switched Layer 2 connectivity, such as Frame Relay and Ethernet. See "[Configuring Capacity for Packet Facility Pipes](#)" for more information.
- By associating signal structures to Pipe specifications. The signal structures define how the signal is channelized and include a reference to a Capacity Provided specification. You use signal structures for pipes based on the TDM Facility model. (See "[TDM Facility Model](#)" for more information.) For example, you use signal structures to define capacity for an OC3 pipe that includes STS1 and VT1 channels. See "[Configuring Capacity with Signal Structures](#)" for more information.

You do not define capacity for pipes based on the Cable/Pair model. Cable pairs offer themselves as a whole for enablements. Their capacity can be consumed only as a unit, so there is no need to specify the amount. See "[Cable/Pair Model](#)" for more information about pipes based on this model.

Configuring Capacity for Packet Facility Pipes

Capacity for packet-based connectivity is defined using the standard UIM capacity capabilities. See "[Capacity](#)" for more information.

When you define a specification for a packet-based pipe in Design Studio, you associate it with Capacity Provided and Capacity Required specifications that define the pipe's capacity. A pipe can enable other pipes up to the maximum capacity and consumable percentage defined by the Capacity Provided specification with which it is associated. To be enabled, a

pipe requires the capacity defined in the Capacity Required specification with which it is associated.

Defining Capacity Required specifications is similar, but no consumable percentage is involved. See the Design Studio Help for more information.

In UIM, when you create an entity based on a specification that includes a relation to a Capacity Provided or Capacity Required entity specification, the relevant capacity is automatically associated to the entity. UIM automatically keeps track of capacity usage. You are prevented from making enablements that exceed a pipe's maximum capacity provided.

Configuring Capacity with Signal Structures

You use signal structures to define capacity for pipes based on the TDM model. (Channelized Connectivity entities define their signal structures by using the UIM signal architecture. See "[About the UIM Signal Architecture](#)" for more information.)

The signal structure defines how a pipe's signal is channelized. The signal structure includes an association to a Capacity Provided specification, meaning that no such association is required for the pipe itself.

To define signal structures and associate them with Pipe specifications, you create hierarchies of Signal Termination Point specifications in Design Studio. The parent-child relationships among the Signal Termination Point specifications determine the organization of the signal structure.

The hierarchy includes one parent specification to represent the top signal structure as a whole, along with one or more layers of child specifications. This organization of Signal Termination Point specifications corresponds to the hierarchy of TTPs and CTPs. See "[Understanding Signal Structures](#)" for more information.

For example, if you are creating a signal structure comprising a T3 parent signal termination point and 28 T1 child termination points, you must create a T3 Signal Termination Point specification and a T1 Signal Termination Point specification.

When you design a child Signal Termination Point specification, you define the capacity unit amount, unit of measure, and number of child signals. (See "[Defining and Measuring Capacity](#)" for more information about units of measure.) In a T3 scenario, there is only one layer of child signals, so the number of child signals is set to zero for the child Signal Termination Point specification. If there were more layers to the signal structure, you would specify the number of child signals below this one in the hierarchy.

You define the total bandwidth for the signal structure by relating a Capacity Provided specification to the highest-level Signal Termination Point specification in the structure. You also enter the number of child signals in the first layer of the structure and select the Signal Termination Point specification for that layer. For example, for the T3 structure mentioned previously, you would specify 28 child signals and select the T1 Signal Termination Point specification.

When you define a Signal Termination Point specification, you can include compatible capacities and units of measure supported by the signal structure. Using this feature, you can specify that a signal structure can support not only signals of exactly matching capacity but also signals of lesser capacity. For example, you can specify that a SONET STS1 channel with a bit rate of 51.840 Mbps can support an STS transmission facility of 51.840 Mbps capacity or a DS3 facility at a rate of 44.736

Mbps. See the Design Studio Help for more information about configuring Signal Termination Point specifications for compatible signals.

You can associate a Signal Termination Point specification with a Pipe specification in Design Studio. When a pipe entity is created in UIM based on a specification with such an association, the signal structure is created automatically at the same time. The channels defined in the signal structure are created immediately for simple signal structures (those with only one layer of child signals) and as needed for enablement in complex signal structures.

See the Design Studio Help for more information about how you design Signal Termination Point specifications.

In UIM, you can manually associate a signal structure with a pipe that does not already have one. When you make the association, the channels are created under the same rules used for signal structures associated by the specification.

See the UIM Help for more information about associating signal structures with pipes.

Viewing Signal Structure Information in UIM

There are several ways in UIM to view information about a pipe's signal structure:

- [Figure 17-15](#) shows how the Pipe Hierarchy section of the Pipe Summary page displays the channel hierarchy defined by the signal structure. Each channel is shown along with the identity, inventory status, and assignment status of pipes it enables.

Figure 17-15 Pipe Hierarchy Section

	Condition	Inventory Status	Assignment Status	Consumers
▼ BATTDMFPipeSpec - 102		Installed	Unassigned	
1 - DS1 Channel - 102-1 - (1.544 Mbps)		Installed	Unassigned	
2 - DS1 Channel - 102-2 - (1.544 Mbps)		Installed	Unassigned	
3 - DS1 Channel - 102-3 - (1.544 Mbps)		Installed	Unassigned	
4 - DS1 Channel - 102-4 - (1.544 Mbps)		Installed	Unassigned	
5 - DS1 Channel - 102-5 - (1.544 Mbps)		Installed	Unassigned	
6 - DS1 Channel - 102-6 - (1.544 Mbps)		Installed	Unassigned	
7 - DS1 Channel - 102-7 - (1.544 Mbps)		Installed	Unassigned	
8 - DS1 Channel - 102-8 - (1.544 Mbps)		Installed	Unassigned	
9 - DS1 Channel - 102-9 - (1.544 Mbps)		Installed	Unassigned	
10 - DS1 Channel - 102-10 - (1.544 Mbps)		Installed	Unassigned	
11 - DS1 Channel - 102-11 - (1.544 Mbps)		Installed	Unassigned	

- [Figure 17-16](#) shows how the Pipe Provides page lists all the child pipes that have been created based on the signal structure.

Figure 17-16 Pipe Provides Page

Pipe Provides - 102

▼ Pipe Provides

View Create Delete Detach

ID	Name	Specification	Medium	Transmission Signal Type	Inventory Status	Assignment Status
102-1		DS1 Channel			Installed	Unassigned
102-2		DS1 Channel			Installed	Unassigned
102-3		DS1 Channel			Installed	Unassigned
102-4		DS1 Channel			Installed	Unassigned
102-5		DS1 Channel			Installed	Unassigned
102-6		DS1 Channel			Installed	Unassigned
102-7		DS1 Channel			Installed	Unassigned
102-8		DS1 Channel			Installed	Unassigned
102-9		DS1 Channel			Installed	Unassigned
102-10		DS1 Channel			Installed	Unassigned
102-11		DS1 Channel			Installed	Unassigned
102-12		DS1 Channel			Installed	Unassigned
102-13		DS1 Channel			Installed	Unassigned
102-14		DS1 Channel			Installed	Unassigned

- Figure 17-17 shows how the Signal Structure page displays all the channels defined by the signal structure, even if they have not yet been created in inventory.

Figure 17-17 Signal Structure Page

	Specification
1 (43.232Mbps)	T3 Signal Structure
1-1 (1.544Mbps)	DS1 Signal
1-2 (1.544Mbps)	DS1 Signal
1-3 (1.544Mbps)	DS1 Signal
1-4 (1.544Mbps)	DS1 Signal
1-5 (1.544Mbps)	DS1 Signal
1-6 (1.544Mbps)	DS1 Signal
1-7 (1.544Mbps)	DS1 Signal
1-8 (1.544Mbps)	DS1 Signal
1-9 (1.544Mbps)	DS1 Signal
1-10 (1.544Mbps)	DS1 Signal
1-11 (1.544Mbps)	DS1 Signal
1-12 (1.544Mbps)	DS1 Signal
1-13 (1.544Mbps)	DS1 Signal
1-14 (1.544Mbps)	DS1 Signal
1-15 (1.544Mbps)	DS1 Signal
1-16 (1.544Mbps)	DS1 Signal
1-17 (1.544Mbps)	DS1 Signal
1-18 (1.544Mbps)	DS1 Signal
1-19 (1.544Mbps)	DS1 Signal
1-20 (1.544Mbps)	DS1 Signal
1-21 (1.544Mbps)	DS1 Signal
1-22 (1.544Mbps)	DS1 Signal

See the UIM Help for more information about viewing signal structure information for pipes.

Changing the Capacity of Existing Pipes

You can change the capacity provided or capacity required after you create a pipe in UIM. It is unusual to make such a change, but it may be necessary under some circumstances. For example, you may need to change the capacity of fractional T1 or E1 pipes with capacities of 256, 384, 512 and 768 Kbps.

The following rules apply to changing the capacity provided amount.

- You cannot change the capacity provided information if the pipe has a signal structure because the signal structure defines capacity provided.
- If a pipe is not enabling any other pipes (has no capacity consumed), you can increase or decrease the total capacity provided.
- If a pipe is enabling another pipe (has some capacity consumed), you cannot decrease its capacity provided; you can only increase it.

The total capacity provided amount factors in the consumable percent value. For example, if you have a pipe that provides 10 Mbps with 100% consumable, you could not change its capacity provided to 10 Mbps with 75% consumable if the pipe is enabling another pipe.

There are no rules about changing the capacity required amount. You can increase the capacity required after a pipe has been enabled by another pipe, even if you increase it to more than the capacity available on the enabling pipe. Changing the capacity required on a pipe that is already enabled by another pipe does not change the amount of capacity consumed on the enabling pipe.

See the UIM Help for more information about changing capacity in UIM.

Enabling Pipes

You enable a pipe to define how its connectivity is implemented. For example, a POTS service trail represents the connectivity from a voice switch in a central office to the subscriber terminal. This service trail is enabled by several different pipes, including cable pairs between the MDF to a cross-connect terminal and from the cross-connect terminal to the subscriber terminal. See "[Enables Relationships](#)" for conceptual information about pipe enablement.

In UIM, you can enable pipes in two ways:

- You can manually configure the enablement, which involves specifying the pipes that comprise the connectivity path. UIM automatically creates cross-connects to bridge gaps between pipes. See "[Enabling Pipes Manually](#)" for more information.
- You can have UIM automatically configure the enablement using path analysis. Path analysis calculates a least-number-of-hops path between two points that you specify. See "[Enabling Pipes Automatically with Path Analysis](#)" for more information.

Enabling Pipes Manually

When you manually enable a pipe, you select the pipes that comprise the enabling connectivity path. For example, in a POTS scenario, you select cable pairs that connect the MDF to a cross-connect terminal block and the terminal block to the subscriber terminal.

When you manually configure enablement, UIM automatically creates cross-connects or connectivity gaps to ensure that there is a continuous path from the originating termination point to the terminating termination point. A connectivity gap or cross-connect is required when the enabling pipes you specify do not share a common termination point. See "[About Connectivity Gaps in Pipe Enablement](#)" for more information.

In the POTS scenario mentioned above, for example, UIM automatically creates a cross-connect to represent the jumper on the cross-connect terminal block that connects the two cable pairs.

The way you manually enable pipes varies slightly depending on whether the pipe is versioned or not. See the UIM Help for more information about enabling pipes manually.

Enabling Pipes Automatically with Path Analysis

Path analysis is an automated process in UIM that helps you locate and assign pipes for enablement. You specify the starting point (the source), the ending point (the target), and a variety of optional criteria, including capacity requirements. Path

analysis evaluates possible paths based on the criteria you provide and returns paths from which you can select.

For example, to enable a DS1 service trail from Dallas to Orlando, you can use path analysis to find the available paths between those points.

Path analysis uses the inventory topology to find paths. The paths it locates are those that are defined by the UIM topology framework. See "[Topology](#)" for more information.

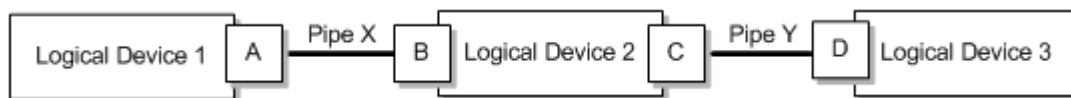
You can specify any entity that is included in the UIM topology as a source or target for path analysis. By default, the following entity types are included in the topology:

- Equipment
- Logical devices
- Networks
- Network nodes
- Physical devices
- Places (site and location only)
- Property locations

Path analysis identifies paths by finding pipe termination points that are associated with the source and target you specify. For example, if you specify a logical device as the source, path analysis looks for pipes with termination points that are associated with that logical device. Similarly, if you specify a Place entity such as Santa Clara or Austin as the target, path analysis looks for pipes with termination points on entities associated with that place.

To find a path, path analysis must be able to find pipes whose termination points are associated with devices in common. For example, suppose that Pipe X is terminated on Device Interface A of Logical Device 1 and Device Interface B of Logical Device 2 and that Pipe Y is terminated on Device Interface C of Logical Device 2 and Device Interface D of Logical Device 3. (See [Figure 17-18](#).) In this case, path analysis can find a path between Logical Device 1 and Logical Device 3.

Figure 17-18 Path Example



The following list includes some points about the way path analysis that you should keep in mind when you enable a pipe automatically:

- Because path analysis uses connectivity as it is defined by topology, it cannot find paths on pipes that are terminated directly on places. It is possible to terminate a pipe in this way, but the topology framework does not create a topology edge for such an arrangement.

To terminate a pipe on a place and use the pipe for enablement, you must create a dummy device on which to terminate the pipe. You can then associate that device with the desired place. This technique is especially useful when you want to represent connectivity or traffic flow to a place, but do not know or care about the details. For example, you may want to include connectivity to a third-party network about which you

have little information. In this situation, you can create a dummy device at the desired place.

- Path analysis can find paths between network nodes by looking for edges that connect them. Paths between network nodes cannot be used to actually enable pipes, however. They represent logical rather than actual connectivity.
- If you are searching for paths between entities that have a hierarchical structure, such as logical devices, physical devices, or equipment, you should use the highest-level entities for the source and target. For example, to find a path starting from a port, you should consider the hierarchy in which it is included. In this case, the port is assigned to a card, which is in turn assigned to a shelf. You should use the shelf (an Equipment entity) as the starting point for path analysis.
- Path analysis is designed to work with the three supported pipe models: cable/pair, packet facility, and TDM facility. See "[Understanding Pipe Models](#)" for more information.

About Path Analysis Criteria

When you perform path analysis, you specify criteria in the Path Analysis Search page to find paths. These criteria determine how path analysis goes about finding connectivity paths.

The following list provides introductory information about the criteria you can enter. See the UIM Help for detailed information about the criteria and for step-by-step instructions about running a path analysis.

- The only required criteria for a path analysis are the source and target types and IDs. You can enter IDs directly or search for them.
- You can specify an intermediate node that must be included in the path.
For example, if you need a pipe to connect a subscriber terminal and a switch, path analysis can specify that the path must include a DSLAM by adding it as an intermediate node.
- You can specify the capacity required from the enabling pipe by entering a bit rate and unit of measure. For example, if you are enabling a pipe that requires 1.544 Mbps of capacity, you can specify a bit rate of 1.544 and Mbps as the unit of measure. If the pipe to be enabled is already associated with a Capacity Required specification, the bit rate and unit of measure are automatically selected.
- In cases where fractional capacity is required, you can include a quantity along with the bit rate and unit of measure. For example, to enable a 256 Kbps service trail, you can enter a quantity of 4 and enter a bit rate of 64 Kbps to enable the service trail over four 64-Kbps channels.
- You can specify that path analysis take pipe directionality into account. By default, path analysis treats pipes as bi-directional, but you can override that in cases where directionality is important. See "[Understanding Pipe Directionality](#)" for more information.
- You can choose to include partial paths in the path analysis results. Partial paths are those that are not currently continuous from source to target. By default, only continuous paths between source and target are returned.
- You can choose to include network nodes and edges in the path analysis. Network nodes and edges provide no connectivity, so they cannot be used for enablement.

Including network nodes and edges can help in identifying the best routes, however.

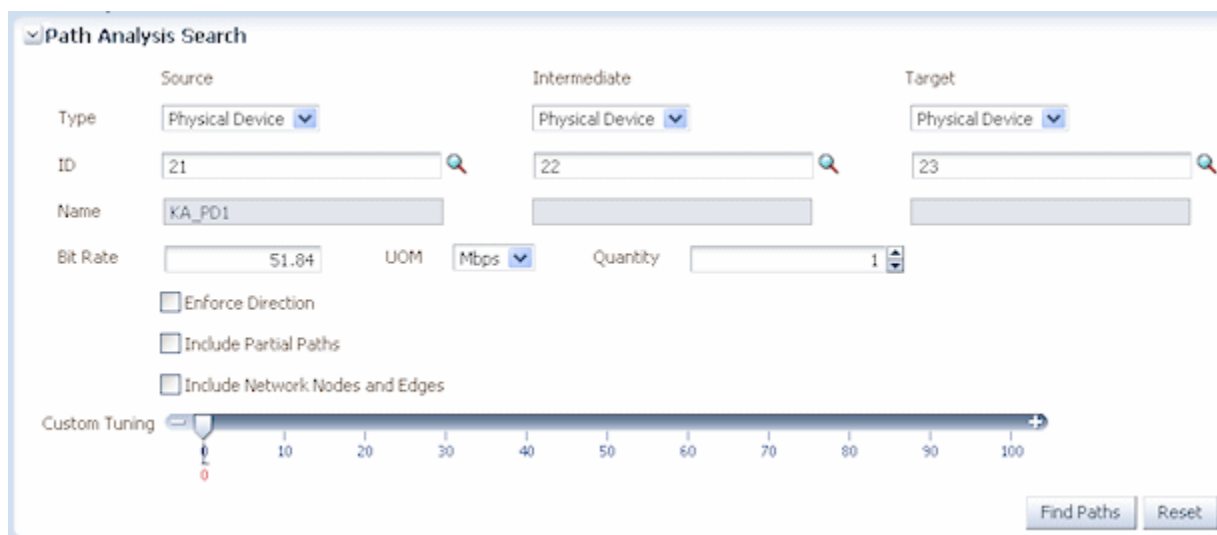
 **Note:**

You must use this option if you specified a network or network node as the source or target.

- You can tune path analysis to control the number of paths returned. The default is to search for the most direct paths, but you can choose to include more paths. Processing time increases as you include more paths.
- You can choose to include secondary paths in the path analysis if a pipe is configured for multiple enablement. Selecting this option means that path analysis results will include primary paths and the ability to select matching secondary paths. See "[About Multiple Enablement](#)" for more information.

Figure 17-19 shows a Path Analysis Search page with criteria entered.

Figure 17-19 Path Analysis in UIM



In addition to the criteria that you enter, the path analysis can also include filtering criteria defined in rulesets associated with the specification of the pipe you are enabling. For example, results may be limited to include only pipes that are based on a particular specification or that include certain text in their names. A sample cartridge is supplied with UIM to provide examples of this capability. See *UIM Developer's Guide* for information about customizing path analysis.

Path analysis results are also limited if the pipe that you are enabling has a Pipe configuration in which a Pipe specification is assigned to the **Transport** configuration item. In this case, path analysis results include only pipes based on that specification. See "[Defining Pipe Configuration Specifications](#)" for more information.

About Path Analysis Results

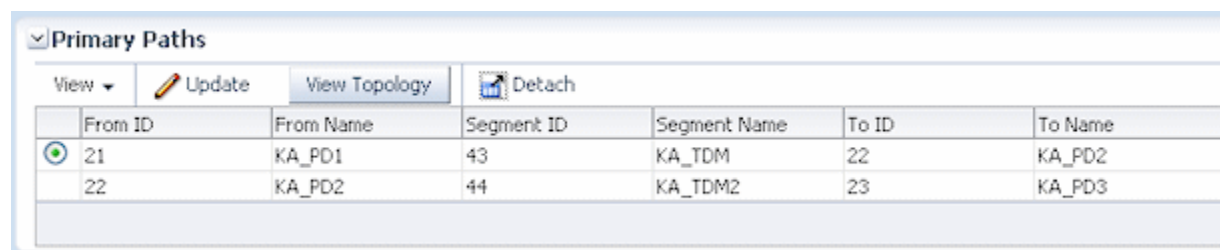
The results of a path analysis are displayed in the Available Paths page. Each path found between the source and target is shown as a group of rows, with each row representing a segment of the path. The ID in the **From ID** column of the first row of the path represents the source you entered, and the ID in the **To ID** column of the last row in the path represents the target.

If the pipe you are enabling is configured for multiple enablement and you want to include secondary paths, the results include both primary paths and the ability to select secondary paths. The primary and secondary paths are displayed in separate tables.

You can open a visualization of the path in the network topology. See the UIM Help for instructions about using UIM topology features.

Figure 17-20 shows search results for the criteria entered in Figure 17-19. In this case, only one path was found. If there were additional paths that met the criteria, they would be listed in rows below the first path.

Figure 17-20 Path Analysis Results



The screenshot shows a table titled "Primary Paths" with a "View" dropdown, "Update" button, "View Topology" button, and "Detach" button. The table has six columns: From ID, From Name, Segment ID, Segment Name, To ID, and To Name. The first row is selected with a green circle and contains the following data: From ID: 21, From Name: KA_PD1, Segment ID: 43, Segment Name: KA_TDM, To ID: 22, To Name: KA_PD2. The second row contains: From ID: 22, From Name: KA_PD2, Segment ID: 44, Segment Name: KA_TDM2, To ID: 23, To Name: KA_PD3.

From ID	From Name	Segment ID	Segment Name	To ID	To Name
21	KA_PD1	43	KA_TDM	22	KA_PD2
22	KA_PD2	44	KA_TDM2	23	KA_PD3

Understanding Path Analysis Modes

Path analysis can operate in two different modes. The way you run a path analysis is the same in both modes, but the mode affects which paths are returned and the amount of processing required.

- In Complex mode (the default), path analysis considers all possible paths between the source and target, which means evaluating a large number of permutations. You can use rulesets to limit the amount of data to be processed. This mode of path analysis is suitable for complex networks with many possible connections.
- In Simple Linear mode, path analysis works by iteratively analyzing paths working from the end points toward a common node. This mode of analysis is suited to paths that are inherently linear and have 10 or fewer hops. For example, Simple Linear analysis is suitable for POTS scenarios. The Simple Linear algorithm is less processor-intensive than the Complex algorithm.

The analysis mode can be set for UIM as a whole or for specific Pipe specifications. See *UIM Developer's Guide* for more information.

Viewing Enablement Information

After you have enabled a pipe, you can view enablement information in two ways:

- The Pipe Enabled By page lists enabling pipes, including automatically created cross-connects and connectivity gaps. (The Pipe Configuration page shows the information for versioned pipes.)

The list includes columns for the sort order, parent pipe information, child pipe information, and assignment status. The parent and child pipe and termination point information enables you to see information about all pipes involved in the enablement, including their parents.

- The Enabled By Visualization page displays the enablement visually. See "[Viewing a Pipe Enablement Visualization](#)" for more information.

Viewing a Pipe Enablement Visualization

The enablement visualization of a pipe or pipe configuration shows schematic views of the trail pipe in the upper part of the canvas and the enabling pipes in the lower part. When a pipe is enabled by more than one connectivity path, such as in a SONET/SDH network, both paths are displayed.

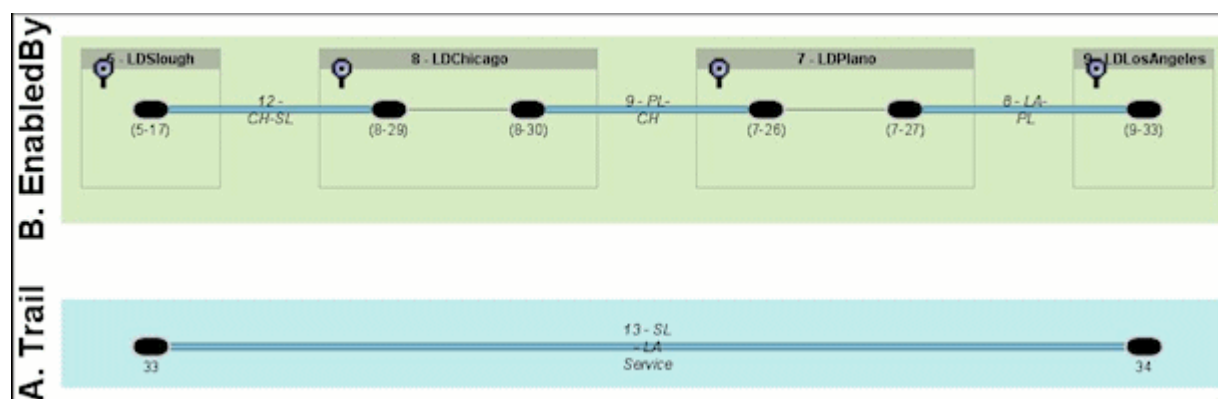
The visualization includes the following:

- Pipes.** Pipes are labeled with their IDs and names and the names of their parent pipes (if any). For example, if the second channel pipe of Facility Pipe LS_BW_A is included in the enablement, it would be labeled **LS_BW_A (LS_BW_A-2)** in the schematic view.
- Connectivity Gaps and Cross-Connects.** If connectivity gaps or cross-connects were created during the enablement, they are shown as thin lines connecting the thicker lines that represent other pipes.
- Pipe termination points.** If the termination points are not terminated on a resource, they are labeled with their IDs. If they are terminated on a resource, they are labeled with the ID and name of the resource or its parent. For example, if a termination point is terminated on a device interface, the visualization displays the name and ID of the logical device that holds the interface. Boxes representing parent resources surround the termination points. If two termination points are terminated on the same parent resource, they are displayed in the same box.

You can expand termination points in the visualization to view their resource terminations. You can expand individual termination points or all termination points simultaneously.

Figure 17-21 shows a simple enablement in which a service trail is enabled by a connectivity path comprising three pipes that are terminated on logical devices in four locations. Cross-connects have been added on the logical devices that have two pipe termination points.

Figure 17-21 Pipe Enablement



About Grooming and Rehoming Pipes

You can groom or rehome a pipe that acts as a physical connectivity. The procedure of grooming and rehoming a pipe is similar to that of a channelized connectivity. See ["About Grooming"](#) and ["About Rehoming"](#) for more information on grooming and rehoming.

The following grooming scenarios are supported in pipes:

- Intra-facility grooming (1:1) that is performed within a single facility pipe.

The following scenarios are supported in intra-facility grooming:

- First segment grooming
- Middle segment grooming
- Last segment grooming

- Inter-facility grooming that is performed between different facility pipes.

The following scenarios are supported in inter-facility grooming:

- 1:1 (Grooming first, middle, and last segments)
- 1:2
- 2:1
- 2:2
- m:n

The following rehome scenarios are supported in pipes:

- Intra-device intra-location rehome: When the rehome is performed within the same device and same location. For example, rehome within a device between locations A and Z and all locations between them.
- Inter-device intra-location rehome: When the rehome is performed by shifting to different devices that are in the same location. For example, rehome by shifting to different devices between locations A and Z and all locations between them.

Note:

The inter-device intra-location rehome is supported only on logical device, physical device, and equipment entities.

IP Address Management

This chapter explains how you use the IP address management features in Oracle Communications Unified Inventory Management (UIM) to allocate, classify, and track IPv4 and IPv6 addresses.

Understanding IP Address Management

UIM includes entities that represent the three principal components of IP network infrastructure:

- **IP Networks.** An IP network is the foundation of IP infrastructure. All IP address management takes place within an IP network, which you can partition into subnets that can contain multiple IP address ranges.

You can create and manage IP networks using UIM. In UIM, IP network entities represent blocks of IP address spaces in your inventory. When you create an IPv4 or a IPv6 network, a default subnet with the same Classless Inter-Domain Routing (CIDR) number as the network is automatically created. See "[About Creating IP Networks](#)" for more information about creating IP networks.

- **IP Subnets.** An IP subnet is a range of IP addresses within an IP network. When you create an IP network, UIM creates a single subnet that spans the entire address space. This subnet is known as the *natural subnet*.

Subnets cannot be created or deleted directly in UIM. You can edit them, but subnet address space can be modified only through joins and partitions. See "[About Partitioning IP Address Space](#)" for more information about partitioning and joining subnets.

- **IP Addresses.** An IP address is a numerical label assigned to a device, such as a computer or printer, participating in a network that uses the Internet Protocol for communication. IP addresses are created within IP subnets. Like subnets, IP addresses are consumable resources with managed life cycles.

See "[About Creating IP Addresses](#)" for more information about creating IP addresses.

You can use UIM to manage the inventory of IPv4 and IPv6 addresses by:

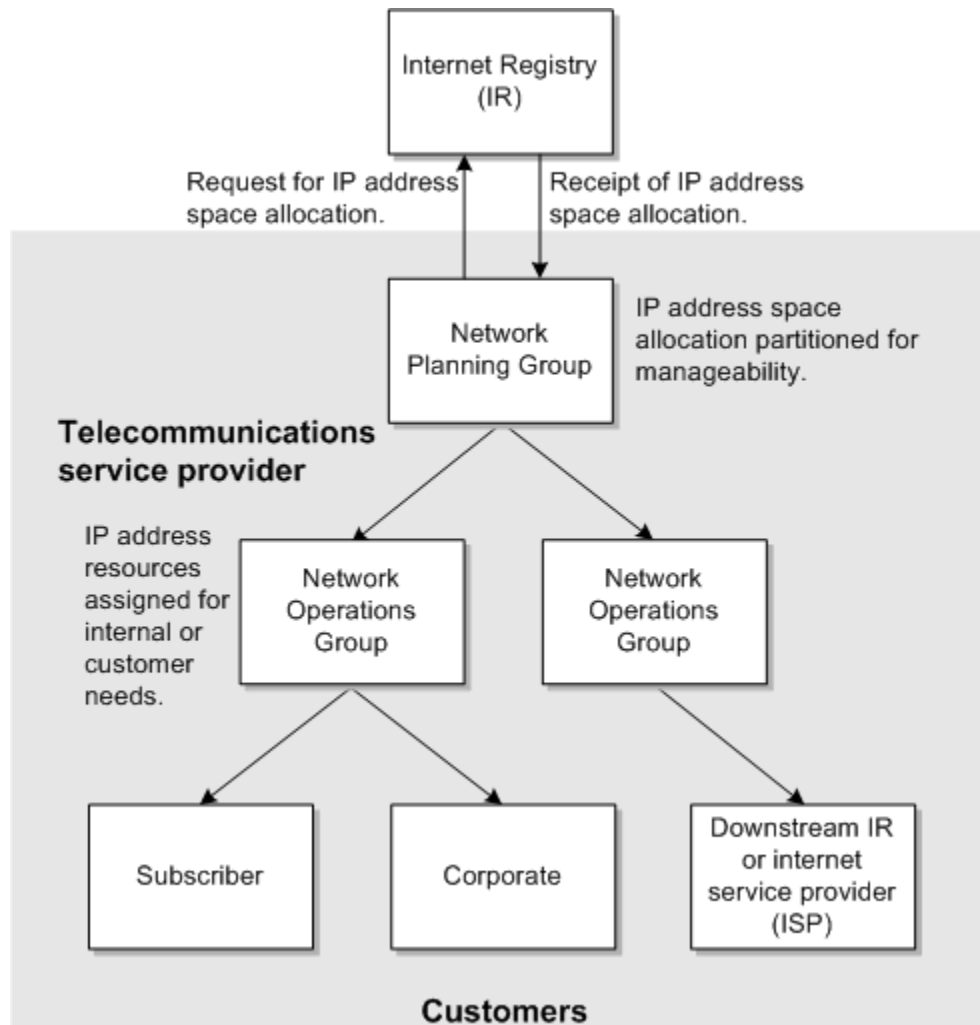
- Receiving and managing an IP address allocation from an Internet registry (IR).
- Creating IP networks and subnets to manage IP addresses, enhance routing efficiencies, and improve utilization. See "[About Creating IP Networks](#)" for more information.
- Allocating IP addresses to subscribers or corporate customers. See "[About Managing IP Addresses](#)" for more information.
- Allocating IP addresses to services. See "[About Managing IP Addresses](#)" for more information.

Figure 18-1 illustrates a simple scenario for using UIM to manage IP address resources. The telecommunications service provider requests an allocation of public IP address space from an IR. The address space is partitioned for ease of use and then allocated to customers or assigned to services. (In this scenario, the service provider requires public address space so

that addresses can be routed externally. Private address space does not require allocation from an IR.)

In [Figure 18-1](#), the tasks managed by UIM, such as partitioning IP address space and allocating IP address resources to customers, are represented by the shaded area of the graphic. The unshaded portion represents an initial business process performed by the network planning group of a telecommunications service provider.

Figure 18-1 UIM IP Address Management Overview



 **Note:**

See the UIM Help for detailed instructions about working with the features and entities discussed in this chapter.

About Partitioning IP Address Space

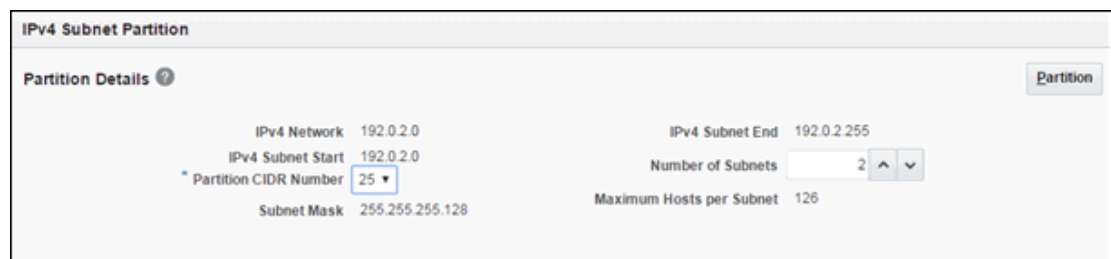
You can partition the address space provided by the IR into subnets to better manage IP addresses. You can partition the subnet to accommodate your addressing scheme. Each partition corresponds to a subnet, and you can further partition those subnets into several smaller subnets. A network using CIDR treats the entire address space as a partitionable pool of addresses.

You can partition a subnet by specifying the number of subnets you require for a given CIDR. For example, if you are working with a subnet with a /24 CIDR (such as 192.0.2.0) and you require eight /30 subnets, UIM partitions the eight /30 subnets and automatically calculates and creates additional subnets and their CIDR numbers from the remaining address space. In this case, the output looks like the following:

- 192.0.2.0 /30
- 192.0.2.4 /30
- 192.0.2.8 /30
- 192.0.2.12 /30
- 192.0.2.16 /30
- 192.0.2.20 /30
- 192.0.2.24 /30
- 192.0.2.28 /30
- 192.0.2.32 /27
- 192.0.2.64 /26
- 192.0.2.128 /25

When using UIM to partition an IPv4 or IPv6 network, you must specify a CIDR prefix length number. [Figure 18-2](#) shows the Partition Details section of the IPv4 Subnet Partition page. You specify the CIDR prefix length in the **Partition CIDR Number** field and optionally select the minimum number of subnets you require from the partition. The number of subnets created defaults to the maximum number possible given the specified prefix length.

Figure 18-2 Partitioning An IPv4 Subnet



The screenshot shows the 'IPv4 Subnet Partition' interface. The 'Partition Details' section includes the following fields:

IPv4 Network	192.0.2.0	IPv4 Subnet End	192.0.2.255
IPv4 Subnet Start	192.0.2.0	Number of Subnets	2
Partition CIDR Number	25	Maximum Hosts per Subnet	126
Subnet Mask	255.255.255.128		

Subnets that are already assigned or reserved cannot be partitioned. Subnets that contain assigned or reserved resources (such as host addresses) cannot be partitioned.

Because IPv4 hosts are not generally permitted on subnet and loopback network boundaries (/31 and /32 are exceptions), partitioning is not permitted where any resulting subnet would have hosts address on these boundaries. Also, address ranges cannot span subnets. When

partitioning a subnet, if a host address is on a potential subnet boundary, or an address range spans a potential subnet partition, the option for that partition is not displayed.

See the UIM Help for more information about partitioning subnets.

About Joining IP Subnets

You can join (or aggregate) an IP subnet with other contiguous subnets within the same network. Joining the subnets combines the IP addresses they contain. To join subnets, they must be contiguous and in an unassigned state.

Figure 18-3 shows the IPv4 Subnets search results section with the **Join** action.

Figure 18-3 Joining IP Subnets

IPv4 Address	Prefix Length	Name	IP Address Domain	Utilization (%)	Owned By
198.51.100.1	32		Global IP Address [0.0		
198.51.100.2	32		Global IP Address [0.0		
198.52.100.1	32		Global IP Address [0.0		

Rows Selected: 1 | Total Results: 3

The following types of subnets cannot be joined:

- Subnets in different networks
- Subnets assigned to or reserved for different customers
- Subnets with assigned or reserved host addresses within their ranges

See the UIM Help for more information about joining subnets.

About Managing IP Addresses

You use UIM to assign IP addresses required for an infrastructure change or extension, such as adding new equipment or enhancing a specific service offering. For example, when using UIM to extend your core network with new capacity and new routing equipment, you need to assign IP addresses for management (loopbacks) and for interfaces. When assigning addresses, you need to consider the existing address plan, impacts on routing, the need for public or private addressing, existing traffic filtering rules, and so on.

IP subnets are inventory resources whose life cycles begin when you activate them. When you activate an IP subnet, its inventory status changes to Installed. When you deactivate an IP subnet, all IP addresses within the IP subnet are also deactivated. IP subnets also have an assignment status that indicates progress in their assignment life cycle. See "[Resource Life Cycle and Statuses](#)" and for more information about life cycles.

Figure 18-4 shows the inventory status and assignment status of an IPv4 subnet.

Figure 18-4 IP Subnet Statuses

IPv4 Address	Inventory Status	Assignment Status
▶ 192.0.2.0/24	Installed	Assigned

You view resource assignments in the **Consumers** tab. [Figure 18-5](#) shows the ID of the SONET network to which the subnet is assigned, the assignment type, and the date on which the subnet was assigned.

Figure 18-5 IP Subnet Consumers Tab

Assignment	Assignment Type	Start Date	End Date
1 - SONET Network L01	Network	11/18/2016	

You also use the **Consumers** tab to view and edit reservations. Reservations are used to restrict the IP subnet from being assigned to other entities or processes for a period of time. If a subnet or portion of a subnet is already reserved, you must delete the existing reservation before making a new one.

See the UIM Help for more information about reserving and redeeming resources.

The **Consumers** tab also enables you to view and edit conditions. Conditions limit the availability of an IP subnet for a particular reason and period of time. You add conditions to an IP address resource in the same manner you add conditions to other resources. Unlike other resources, however, you must delete conditions from IP addresses from the **Consumers** tab.

See the UIM Help for more information about adding, editing, and deleting conditions for IP addresses.

About Creating IP Networks

This following sections provide information about the details you specify when you create an IP network.

Specifying a Network Name

You need to specify a name for the IP network. UIM automatically creates an IP subnet, but does not propagate the name entered for the IP network. After you create the network, you can edit the IP subnet to provide a name.

Specifying an IP Address

You specify the starting IP address for the network in standard form for:

- IPv4 addresses must be entered standard dot decimal format, for example 192.0.2.1
- IPv6 addresses can be entered in either compressed or extended format. For example, you can enter either of the following equivalent addresses:
 - 2001:0db8:0000:0000:0000:ff00:0042:8329
 - 2001:db8::ff00:42:8329

Specifying an IP Domain

The list of IP address domains from which to choose are the Network Address Domain entities that you define prior to creating the IP network. Network address domains define a context for the uniqueness of network addresses.

For example, in the public domain, an IP address must be unique among all IP addresses on the Internet. In contrast, the same private IP address can exist in one or more private routing domains. You use network address domains to define those private routing domains.

When you search for an IP address, you can use the network address domain as a search criterion to ensure that you select from the correct addresses. For IPv6 only, the type of network address domain you select must correspond with the IPv6 address type you select.

For more information on creating and managing network address domains, see "[Network Address Domains](#)".

Specifying a Network Owner

You can optionally associate an owner with the network to represent the person or organization who is responsible for it. You select an owner from the Party entities that you have defined prior to creating the IP network.

In UIM, Party entities represent the people and organizations that interact with your inventory. For more information, see "[About Parties](#)".

About IPv6 Address Types

UIM supports the following IPv6 address types:

- Global Unicast

The Global Unicast Address is the equivalent of a public IP address in IPv4. It is an IP address that is routed across the whole Internet. The address prefix of a global IPv6 address is 2000::/3.

- Unique Local Unicast

The Unique Local Unicast address type is equivalent to an IPv4 private address and cannot be used in the Global IP Address Domain. It can be used in private networks and networks with no routers.

About Creating IP Addresses

You can use UIM to create IP addresses within:

- An existing non-partitioned subnet
- A new network

You can create a single address, or specify a range by specifying a starting address and ending address. Specify or select an IP address domain from the list of Network Address Domain entities that you have defined prior to creating the IP network.

You can choose to name, or describe, the IP address. You can optionally associate a manager to the IP address to represent a person or organization with responsibility for the IP address. You select a manager from the Party entities that you have defined prior to creating the IP network.

You can specify a manager only when the parent network has an owner. See "[Specifying a Network Owner](#)".

You have the option of specifying a MAC address for the IP address. A MAC address is a hexadecimal number that uniquely identifies hardware. MAC addresses can be of the following types:

- Ethernet
- ATM
- Bluetooth
- Fiber Channel
- MAC Type 80211, which refers to the IEEE 802.11 standard

When creating an IP address, much of the IP address configuration information is based on the selected subnet and its network. If you create the IP address from the IP Address search result page, this information is not visible during creation; you can see it only after you have created the address. If you create the IP address from a network or subnet search result page, information from the parent subnet and network is visible during creation.

19

Roles

This chapter explains how to use Role entities in Oracle Communications Unified Inventory Management (UIM).

About Roles

You use roles to define the parts played by entities in an inventory. For example:

- A Party entity could have the role of subscriber or employee
- A Place entity could have the role of warehouse or data center
- A Logical Device entity could have the role of customer edge (CE) or provider edge (PE)
- A Logical Device or Party entity could have a network target role

An entity can play multiple roles simultaneously and its roles can change over time. For example, an entity based on a Party specification called Organization could be both a supplier and a customer, either at the same time or at different times.

Similarly, a role can apply to multiple entities and multiple entity types. For example, the role of customer could be assigned to both individual and organization entities.

An entity's role might be relevant to its involvements with other entities. In many cases, you can specify roles played by entities in their relationships with each other. This includes relationships to places, parties, and custom involvements where relationships are created between entities associated with roles. See "[Involvements](#)" for more information about involvements.

The following entity types can be associated with roles and are therefore role-enabled:

- Custom object
- Device interface
- Logical device
- Equipment
- Network
- Network node
- Network edge
- Party
- Physical device
- Physical port
- Pipe
- Place

Role-enabled entities include a Role section in their **Summary** pages. This section includes a list of the roles assigned to the entity, included the role type.

About Role Types

When you define a Role specification, you can optionally select one of the following role types:

- **Technology:** This role defines the technology that an entity operates under or supports. For example, devices and connections that support a Frame Relay WAN could be assigned a Frame Relay role.
- **Function:** This role defines the function that an entity plays. For example, a router can function as a CE device or a PE device.
- **Topology:** This role defines the topology type for an entity. For example, you might want to associate a network entity with a topology role.
- **Target.** This role identifies the entity as a target for activation systems. See "[About Network Targets](#)" for more information.

In UIM, the role type is displayed in the Roles section of an entity's Summary page.

Auto-Creating Roles in UIM

When you design a specification for a role-enabled entity in Design Studio, you can specify that a Target role be automatically created for the entity in UIM.

For example, you could define a Logical Device specification for a voice mail server that includes a relationship to a Role specification named Voice Mail Activation Target of type Target. If you select the **Auto Generate** check box when you create the relationship, UIM will automatically create and assign the Voice Mail Activation Target role when you create a voice mail server based on the specification you designed.

See Design Studio Help for more information about creating specification relationships.

About Role Specifications and Entity Types

When you define a Role specification in Design Studio, you specify the entity types that can be assigned to that role. In UIM, only the selected entity types can add that role.

For example, you can define a Role specification called Subscriber and select the entity type as Party. In UIM, only Party entities can be assigned the Subscriber role.

Adding Characteristics to a Role Specification

You can add characteristics to a Role specification. Using characteristics with Role specifications enables you to record additional information about the entity as it applies to the role. Because each Role specification has its own characteristics, different information can be stored for each of an entity's roles.

For example, if you define a Business role and make it available to the party entity, you could add a characteristic to record the Dun and Bradstreet Number, Data Universal Numbering System, (D-U-N-S) of each company. In UIM, when you add the business role to an entity based on a Party specification, you would enter the company's D-U-N-S.

For a prospect role, you could define and add a characteristic called Primary Language to ensure that the party receives information in the appropriate language.

About Network Targets

A network target is a resource on which services or other resources must be activated. For example, in a GSM network, a voice mail service must be activated on a voice mail server. In this scenario, the voice mail server is the target for the voice mail account.

In UIM, you use the **Target** role type to identify Logical Device or Party entities as network targets. This capability enables UIM to pass information about network targets to activation systems.

When you assign a Target role to a Logical Device or Party entity, it becomes a target for other entities associated with it in various ways.

Logical devices are network targets for:

- Logical device accounts associated with them.
- Logical devices in their hierarchies (unless those logical devices are themselves network targets).
- Device interfaces in their hierarchies.
- Any entities with which they have custom involvements based on the Manages (Oracle Provided) base specification.

Parties can be network targets for:

- Any entities associated with them.
- Any entities with which they have custom involvements based on the Manages (Oracle Provided) base specification.

You can see information about network targets in two places in UIM. The information displayed always reflects the current network target; no history is maintained.

- In Logical Device and Party Summary pages. The Roles section includes a list of all roles assigned to the entity. The Type column in the list displays **Target** for network target roles.
- In the Configuration Items section of Configuration pages. When a configuration includes a resource that has a network target, the Network Target column displays the ID of the target. For example, if a service configuration includes a configuration item for a voice mail account (a Logical Device Account entity), the Configuration Items hierarchy displays the ID of the voice mail server (Logical Device entity) associated with the account.

Telephone Numbers

This chapter describes how you can use Oracle Communications Unified Inventory Management (UIM) to create and manage telephone numbers in accordance with your business practices and with regulatory requirements.

About Assigning Telephone Numbers to Services

In UIM, you assign telephone numbers as configuration items in service configurations. Each time you make an assignment or unassignment, UIM creates a configuration version. See "[Configurations](#)" and UIM Help for more information about configurations.

Many regulatory jurisdictions require that you preserve a telephone number's assignment history for a prescribed number of years. Because UIM stores service configuration versions, you can maintain a history of telephone number assignments.

For example, when the number 214-555-5001 is assigned to a service for Mary Good on January 21, 2012, and unassigned on February 18, 2014, UIM stores both versions of the service configuration. If the number is assigned to Jim Smith on June 1, 2015, UIM stores that assignment as part of the service configuration.

By default, you cannot delete telephone numbers that were previously assigned to a service, even if the numbers are currently unassigned. You can change this default setting in the **consumer.properties** configuration file if necessary. See *UIM System Administrator's Guide* for information about changing this setting.

Managing Geographies and Specialized Numbers

Because telephone number formats and requirements vary significantly from country to country to location, you can use specifications to define telephone numbers for different geographies.

UIM includes base cartridges that define numbers for five countries:

- United States (ora_uim_us_tn)
- Canada (ora_uim_canada_tn)
- Norway (ora_uim_norway_tn)
- United Kingdom (ora_uim_uk_tn)
- Saudi Arabia (ora_uim_saudi_arabia_tn)

Each cartridge includes a specification for individual telephone numbers and for telephone number blocks. The cartridges also include rulesets for formatting telephone numbers and telephone number blocks. See "[Managing Telephone Number Blocks](#)" and "[About Telephone Number Formats](#)" for more information.

For each country, the Telephone Number specification includes characteristics for:

- The telephone number type. Valid values include **Toll Free**, **Ported In**, **Ported Out**, and **Owned**. The type can be left undefined.

- The service provider that provides the telephone service.
- The international dialing code, such as **47** for Norway and **1** for the US.

You can use these specifications as-is or modify them as necessary. You can also design specifications and rulesets in Design Studio for other geographies. You can also design specifications for special-purpose numbers, such as Centrex numbers.

See the *UIM Cartridge Guide* for information about the base cartridges. See Design Studio Help for information about designing specifications.

About Telephone Number Formats

Different geographies have different rules about the length of telephone numbers and how they are displayed. In UIM, you associate rulesets to Telephone Number specification to define formatting rules.

In UIM, the unformatted number is stored in the ID field of the Telephone Number entity and the formatted number is stored in the Phone Number field. For example, a US phone number might have the ID 6505553434 and be formatted as 650-555-3434.

Rulesets determine both the length of the number and how it is displayed. A base ruleset (TELEPHONE_NUMBER_FORMATTING) applies to specifications that do not have a custom ruleset. You can modify this ruleset to change the default behavior. By default, this ruleset defines telephone numbers as having 10 digits in XXX-XXX-XXXX format (North American standard).

You can also modify the TELEPHONE_NUMBER_FORMATTING ruleset to include formats that apply to particular specifications. For example, if you define a Telephone Number specification called NANPA for North American numbers, you can add code to the ruleset to define the number length as 11 digits, formatted as +X (XXX) XXX-XXXX.

Another way to define number formatting for individual specifications is to create separate rulesets for each specification. Each of the country-specific Telephone Number specifications provided in the UIM base cartridges has two accompanying rulesets: one that governs telephone number formatting and one that covers telephone number block formatting. For example, the specification for Saudi Arabian telephone numbers is associated with the following two rulesets:

- TELEPHONE_NUMBER_FORMATTING_SATN
- TELEPHONE_NUMBER_BLOCK_FORMATTING_SATN

All of the number formatting rulesets work the same way. You specify an edit mask using appropriate formatting and hash symbols (#) as placeholders for numbers. For example, ###-###-#### represents the standard North American format. +1 ###-###-#### represents that format with the US international calling code included.

Two aspects of telephone number formatting are governed by system configuration files:

- The formatting of telephone numbers when neither the base ruleset nor a custom ruleset is associated with a Telephone Number specification. You specify the default edit mask (using the same syntax described above for rulesets) in the **number.properties** file.
- Whether zeroes are allowed at the beginning of telephone numbers. By default, leading zeroes are stripped during validation, but you can change the setting to

allow them. Some countries, such as South Africa, use leading zeroes as an integral part of telephone numbers. You set this option in the **system-config.properties** file.

See *UIM System Administrator's Guide* for information about modifying these configuration files.

Managing Telephone Number Blocks

Telephone numbers are often created and managed as blocks or groups. For example, service providers frequently:

- Receive telephone number blocks from regulatory agency
- Distribute telephone number blocks to other providers
- Release telephone number blocks for assignment purposes
- Assign telephone number blocks to geographic areas

In UIM, you define telephone number blocks using telephone number specifications, and associate them with rulesets that define the block number formatting.

UIM provides base specifications for telephone number blocks and formatting rulesets for five supported countries mentioned in the previous section. The number format is defined along the same lines as the corresponding individual number specification, with some number of digits missing at the end. The number of missing digits defines the size of the block.

For example, suppose that the standard telephone number format is 10 digits formatted as XX-YYYY-ZZZZ. You could define a telephone number block specification and ruleset that specifies the format as XX-YYYY. This format implies a block size of 10,000, corresponding to the telephone number XX-YYYY-0000 through XX-YYYY-9999.

In UIM, Telephone Number entities based on a telephone number block specification such as this, do not represent the individual numbers that can be assigned to services. Rather, they represents a group of numbers that you manage as a whole. For example, you can add a condition to a block and then perform business logic based on that condition.

The UIM base telephone number block specifications also include characteristics that enable you to manage blocks more efficiently. [Table 20-1](#) lists these characteristics.

Table 20-1 Block-Related Characteristics

Specification	Description
Block Availability	Indicates whether a particular telephone number block is available for assignment
Block Availability Date	Identifies the date after which a particular telephone number block will be available for assignment
Block Indicator	Identifies a telephone number block

You can design business logic based on the values of these fields. For example, you could create a ruleset associated with a telephone number block specification (**Block Indicator** is checked) that creates individual telephone number entities when the **Block Availability** date is reached. So when block 66 665 becomes available, a ruleset triggers the creation of telephone numbers 66 665-0000 to 66 665-9999.

When you create or use Telephone Number block specifications, you should consider the following questions:

- Are blocks of telephone numbers designated for specific services?
- Are blocks designated for specific geographic locations?
- Do you have wholesale arrangements with other providers for telephone number blocks?
- Are there specific regulatory requirements around block management?

Telephone Number Aging

Telephone numbers are subject to an aging process. Numbers previously assigned to one service cannot be assigned to another service for a period of time. The rules for aging are defined by regulators and vary from country to country. For example, in the United States, numbers that were assigned to a business or governmental agency are required to age for at least 360 days. Numbers assigned to individuals are generally aged for 90 days.

The UIM life cycle for telephone numbers includes an aging process that defines status in addition to the standard resource statuses. Numbers that move into Disconnected status are moved by the aging process into Transitional status, where they remain until they can be reassigned. See "[Telephone Number Assignment Life Cycle and Statuses](#)" for more information.

You use configuration files to specify various aspects of the aging process:

- The interval at which the timer process checks the assignment status of telephone numbers in Disconnected or Transitional status. The default value is 600 seconds. You can modify this value in the **timers.properties** configuration file.
- The number of days a telephone number stays in Disconnected status before moving to Transitional status. The default value is 30 days. You can modify this value in the **consumer.properties** configuration file.
- The number of days a telephone number stays in Transitional status before moving to Unassigned status (and therefore exiting the aging process). The default value is 30 days. You can modify this value in the **consumer.properties** configuration file.

See *UIM System Administrator's Guide* for more information on the configuration property files.

Organizing Telephone Numbers

In UIM, you use inventory groups to organize telephone numbers. You can create any number of inventory groups to organize numbers in any way that makes sense for your business. Numbers can be grouped by geographic locations such as cities, counties, or zip codes; by Service specifications, such as Mobile Service or Consumer VoIP service; or by logical device, such as voice server or a Class 5 switch.

A common way to organize numbers is by service area. You can create an inventory group for each service area. You associate a place, such as a postal code, with each inventory group to define its geographic location. You then include telephone numbers and telephone number blocks as items in the inventory groups.

You can define rulesets that find numbers for assignment by comparing the postal code on an incoming service request with postal codes associated with inventory

groups. For example, if a service request comes from the UK postal code E19 C4U, a ruleset can find the appropriate inventory group and select a number from its items.

See "[Inventory Groups](#)" and UIM Help for more information about inventory groups.

Telephone Number Portability

UIM includes features that enable you to manage telephone number portability, including porting in and porting out. You must deploy the Base Phone Management cartridge to use these features. See the *UIM Cartridge Guide* for information about this base cartridge and about deploying cartridges in general.

The Base Phone Management cartridge includes a set of characteristics related to number portability. [Table 20-2](#) lists and describes these characteristics.

Table 20-2 Phone Management Characteristics

Specification	Description
TN Country Code	Identifies the originating country of a mobile telephone number
TN Type	Indicates the type of telephone number: toll free, owned, ported in, or ported out
Winback	Identifies that a mobile telephone number has been provisioned as a Winback

The TN Type value help to define how a telephone number is handled by UIM:

- **Owned:** Telephone numbers owned by a service provider.
- **Ported in:** Telephone numbers owned by a different service provider but used by a customer after subscribing to the current service provider.
- **Ported out:** Telephone numbers owned by the original service provider but used by a customer after subscribing to a different service provider.
- **Toll free:** Telephone numbers for which the service provider, instead of the customer, pays for the usage charges.

The type assigned to a telephone number can affect its life cycle. For example, when a telephone number is ported out, its TN Type value is changed from **Owned** to **Ported Out**, its resource assignment status is set to Ported, and its inventory status is set to Unavailable. When the customer gives up the ported-out number, its TN Type is returned to Owned, its assignment status is set to Unassigned, and its inventory status remains Unavailable. The telephone number becomes available again after it is activated. See "[Telephone Number Assignment Life Cycle and Statuses](#)" for more information.

A number of entries in the **consumer.properties** configuration file control various aspects of the telephone number portability and aging process, including which characteristic UIM uses to trigger number portability logic. See the *UIM System Administrator's Guide* for a list of these entries.

Reserving and Redeeming Telephone Numbers

Telephone number management often involves the use of reservations. Telephone numbers are usually provided to subscribers when they order service. Numbers are reserved at this time, even though the service has not yet been created.

Using reservations prevents duplication of telephone number assignments. Because multiple customer service representatives (CSRs) can launch number requests at the same time, it is necessary to reserve numbers to lock them from multiple queries and multiple selections for different subscribers.

For example, if a CSR launches a query for a telephone number for Suzy Quentin, the query could return 214-555-1234. To protect it from another CSR query, the number is placed on a short-term reservation. This reservation is redeemed when the service for Suzy Quentin is created.

You use the standard UIM reservation framework for this purpose. Reservations can be short-term or long-term. You define the time periods for short- and long-term reservations based on your business practices.

UIM monitors reservations to determine if their terms have expired. When reservations expire, telephone numbers become available for further assignment. UIM can be configured to require that a tag be supplied to identify the appropriate customer or sales order before a telephone number reservation can be redeemed.

See "[Resource Reservations](#)" and UIM Help for more information about reservations.

Telephone Number Reporting

Reports are an important tool in managing telephone numbers. UIM uses Business Intelligence Publisher (BI Publisher) as its standard reporting tool. UIM includes a number of sample reports related to telephone number management:

- Utilization report by 1K block
- Utilization report by 10K block
- Utilization report for 1K/10K block by category
- Utilization report by category for toll-free numbers

You can modify the sample reports and create new ones to display the information you need. See *UIM System Administrator's Guide* for more information.

21

Custom Resources

This chapter describes how to use custom network addresses and custom objects in Oracle Communications Unified Inventory Management (UIM). These entities enable you to model different kinds of resources without having to write custom code.

About Custom Network Addresses

A network address is a name, label, or number identifying a location in storage or a device in a system or network. Several kinds of network addresses are modeled by default in UIM: telephone numbers, logical device accounts, and IP addresses.

You can create Custom Network Address entities in UIM to model network addresses that are not included by default in UIM. For example, you may need to include Custom Network Address entities for Autonomous System Numbers (ASNs) or VPN IDs.

Custom network addresses are externally-enabled. As a result, UIM allows another application to own the entity; UIM creates a reference to the external application. For more information on the federation topic, see *UIM Developer's Guide*.

Custom Objects

You can build your own custom objects in UIM to represent entities that do not fit into any of the predefined categories. Using custom objects enables you to create solutions for specific business requirements. For example, you can create a custom object to define a protocol or policy such as quality of service standards or static routes. Custom objects are used to model quality of service requirements and bandwidth profiles in the Carrier Ethernet and Packet sample cartridges.

You can define characteristics to describe a custom object, you can create involvements with other entities, you can create consumption concepts such as assignments, you can include it in a business interaction, and you can create behaviors using rulesets and extension points.

You can create a custom object with or without a specification. To further describe the object with characteristics, you must define a Custom Object specification in Design Studio. Creating custom objects in UIM enables you to extend the inventory model without having to create a custom schema or redeploy UIM. All the standard features are available for custom objects. UIM manages the life cycle of custom objects the same way it manages other entities.

Custom objects are externally-enabled. As a result, UIM allows another application to own the entity; UIM creates a reference to the external application. For more information on the federation topic, see *UIM Developer's Guide*.

22

Parties

This chapter explains how to use Party entities in Oracle Communications Unified Inventory Management (UIM).

About Parties

You define Party specifications to model the people or organizations that interact with your inventory. Party specifications answer the business question of who is involved in your inventory. For example, you could define a Party specification called Individual to represent people such as contacts, employees, subscribers, or decision makers. You could also define a Party specification called Business to represent organizations such as vendors, resellers, service providers, or customers.

Parties often play specific roles in your inventory. Sometimes the role is implicit in the definition of a Party specification. For example, if you define a Party specification called Employee, you may not need to make its role any more explicit.

In other cases, you can assign roles that are defined by Role specifications. In UIM, you can assign one or more roles to an entity based on a Party specification. For example, you could create an entity based on the Individual specification and assign it the role of Contact or Subscriber. See "[Roles](#)" for more information about assigning roles to parties.

You can associate parties to entities and specify the role played by the party in the involvement. See "[Involvements](#)" for more information about involvements.

Entities that can be related to parties include:

- Custom Network Address
- Custom Object
- IP Networks
- Network Node
- Pipe Termination Point
- Product
- Service

23

Media Streams

This chapter describes how to use media streams in Oracle Communications Unified Inventory Management (UIM).

About Media Streams

You use Media Stream specifications to model content such as audio and video media delivered over cable, satellite, radio, or streaming IP. When you define Media Stream specifications, you can add characteristics to supplement the default data elements. For example, you can add an AudioOnly characteristic to define whether a media stream has only audio content. You can also associate behaviors with media streams by using rulesets and extension points. See Design Studio Help for more information about designing Media Stream specifications.

In UIM, you use Media Stream entities to represent media content and to manage its delivery. For example, you can use Media Stream entities to represent provisionable or subscription video services such as tiered services and a la carte packages.

You can reserve media streams, assign conditions to them, and include them in business interactions. UIM manages media stream life cycles the same way it manages other resource entities.

The Cable TV sample cartridge pack includes specifications and rules for managing cable television services enabled by media stream entities. See *UIM Cable TV Cartridge Guide* for more information.

Glossary

activity

An operation or group of operations of a particular type ([grooming](#), [rehoming](#), insert node, or remove node) that is managed as part of a [project](#). You configure each activity individually using tools that are specific to its type.

address

A type of [place](#) entity that defines a location or site using textual information. You define specifications for Address entities to conform to business and national postal requirements. For example, in North America, an Address entity could include characteristics for street address, city, state or province, country, and postal code.

See also [address range](#) , [location](#), [site](#).

address range

A type of [place](#) entity that defines a group of addresses expressed as a range between values, such as a low street number and high street number. You can associate an address range to resources or services that serve multiple addresses.

See also [address](#) , [location](#), [site](#).

artifact

A general term for something you can define in [Design Studio](#), such as a [specification](#), [characteristic](#), or [ruleset](#).

bearer

See [facility](#).

business interaction

A [common business entity](#) that represents an arrangement such as service fulfillment, a capital project, or other activity that you want to plan in advance. Business interactions make it possible for you to plan UIM actions and then execute those actions at a time of your choosing.

capacity

In UIM, capacity refers to the amount and type of something that entities require or provide. By default, bandwidth is the only capacity supported, but you can extend UIM to define various types of capacity and how they are measured.

cartridge

A collection of entities and data defined in Design Studio and packaged in an archive file for deployment to a run-time server. In Design Studio, you build cartridges in cartridge projects. You can create your own custom cartridges to extend Oracle Communications applications. Additionally, you can obtain customized cartridges from Oracle that support integration with other common applications and support specific technology domains.

See also [Design Studio](#).

channelized connectivity

A type of [connectivity](#) entity that represents channelized (multiplexed) connectivity. TDM and WDM facilities are represented by Channelized Connectivity entities. Based on the [rate code](#) associated with the channelized connectivity, the UIM signal architecture determines how the connectivity can be multiplexed down to lower-rate channels. Channelized connectivity is one of three Connectivity entity types supported by UIM.

See also [packet connectivity](#) and [service connectivity](#).

characteristic

A [data element](#) that can be added to entity specifications to supplement default data elements. For example, a Physical Device specification may have a characteristic for the device serial number. In Design Studio, you define characteristics by defining new data elements and tagging those elements as characteristics. In UIM, characteristics are displayed as fields, such as text fields, lists, and check boxes.

common business entity

A UIM entity that describes a business process or a relationship among entities. Unlike a [resource](#), a common business entity does not represent an item in your inventory. Examples of common business entities include business interactions and inventory groups.

configuration

A hierarchically organized collection of facts about a parent entity. Configurations can be versioned so that these facts can be managed as they evolve over time. Configurations are defined by specifications.

Service, Place, Network, Pipe, and Logical Device entities can have configurations. For example, a Service entity can have a configuration that stores facts, such as resource consumption, that describe how the service is realized.

See also [configuration item](#).

configuration item

An element of an entity [configuration](#) that specifies a particular fact, such as resource assignment or reference. Configuration items can also include characteristics that enable you to capture details. To organize configuration items and put them in context, you can arrange them in a hierarchy.

connectivity

- In a general sense, the ability to transfer information to and from devices and locations.
- A UIM entity type that represents connectivity. Connectivity entities are similar to and derived from pipes, but have different data elements and behaviors. UIM supports three types of connectivity entities: [channelized connectivity](#), [packet connectivity](#), and [service connectivity](#).

connectivity function

A designation that describes the purpose or role that a [connectivity](#) performs.

connectivity gap

A segment in an end-to-end trail for which connectivity details are unknown.

A connectivity gap can be *acceptable* in cases where a third party provides transport, the details of which are unimportant, or when the trail passes through a network where ingress and egress are known, but transport details are unknown. An *unacceptable* connectivity gap is one that has no business validity, such as when the design of a trail is incomplete.

constrains relationship

A type of entity relationship in which one entity is limited by another. For example, a constrains relationship results from associating a Network Node specification to a Logical Device specification. This relationship limits the types of entities that a network node can represent in UIM.

core platform

The UIM component that provides the architectural framework and common services, such as APIs and data storage. It also supplies functionality, such as search, that is used

throughout the application. The core platform is required and is supplied with the purchase of any [Functional Module](#).

cross-connect

A logical interconnection between two device interfaces that provides continuity in an end-to-end connectivity trail. Cross-connects can be interface-bound or trail-bound.

custom involvement

A UIM entity that defines a connection or dependency between other entities. You can assign roles to the entities participating in the custom involvement.

custom network address

A network address is a name, label, or number that identifies a location in storage or a device in a network. UIM includes entity types for telephone numbers, logical device accounts, and IP addresses. You model other types of network addresses, such as Autonomous System Numbers (ASNs) or VPN IDs as custom network addresses.

custom object

A UIM entity that represents an inventory item that does not fall into any of the predefined entity types. Using custom objects enables you to model such items without having to modify the data model.

Data Dictionary

A logical collection of [data element](#) and data types in a [Design Studio](#) workspace that enables you to leverage common definitions across an entire Oracle Communications solution. The Data Dictionary enables you to share data defined for order templates, atomic actions, and service specifications between OSM, ASAP, and UIM.

data element

A structured or simple type data definition created in [Design Studio](#). When modeling data for a project, you create data elements that you can reuse throughout your model. There are two types of data elements: simple data elements and structured data elements. Data elements can be included in a [specification](#).

See also [characteristic](#).

Design Studio

The Oracle Communications service creation environment. Modelers and developers use Design Studio to define specifications, rulesets, and other artifacts that define how inventory is modeled in UIM. Design Studio is a separate application from UIM and is

used by other Oracle Communications applications. See *UIM Concepts* and Design Studio Help for more information.

device interface

A UIM entity that represents where communications begins or ends on a logical device. You can map physical connectors to device interfaces to ensure that you have addressable network elements in your inventory of physical equipment. Device interfaces are UIM entities, but they cannot exist outside the context of a logical device.

enables relationship

A relationship between entities in which a resource such as a pipe realizes or supports a service or other resource. For example, a cable pair can enable the local loop for a POTS service. You can define pipe enablement manually or automatically by using [path analysis](#).

engineering work order

A specialized kind of [business interaction](#) used to manage resource changes that involve channelized connectivity and logical devices.

entity

A UIM database object that represents an item or relationship in your inventory. Entities can represent physical or logical resources, such as equipment and telephone numbers. They can also represent business processes or organizational tools such as business interactions or resource reservations. Most entities are based on specifications that are defined in Design Studio.

See also [entity reference](#), [specification](#).

entity reference

A relationship that reflects a connection or interest between a [configuration](#) and an [entity](#). An entity reference is similar to an assignment or allocation relationship except that the referenced entity is not consumed.

entity type

A group of entities based on technology or function. Entity types include Logical Device, Service, Network, Telephone Number, and so on. Entities of the same type share many features, such as search criteria and page layout.

Specifications are based on entity type. When you define a specification, you start with the entity type and then embellish it with additional data.

See also [entity](#), [specification](#).

equipment

A UIM entity that represents a physical unit such as a rack, shelf, circuit card, field-replaceable unit (FRU), or handheld phone. Equipment entities are one of several kinds of entities used to model hardware in UIM.

See also [equipment holder](#), [physical device](#), [physical port](#), [physical connector](#).

equipment holder

A UIM entity that represents a slot or mounting position that can contain cards or similar items. Unlike most other entities, equipment holders cannot exist independently. They are provided by Equipment entities and can contain Equipment entities. For example, a shelf is an Equipment entity that provides an equipment holder that in turn can contain a LAN card, another Equipment entity.

See also [equipment](#), [physical connector](#), [physical port](#).

extension point

An artifact that you define in Design Studio that specifies a place where a ruleset is executed in UIM. A standard extension point is limited to a particular specification. You associate an extension point with a [ruleset](#) in a [ruleset extension point](#).

See also [global extension point](#).

facility

A connectivity (pipe or channelized connectivity) that provides bandwidth capacity to other connectivities. Facilities are sometimes called bearers.

flow identifier

A UIM entity that represents identifiers such as VLAN IDs or Tags for Ethernet, VPIA and VCI for ATM, DLCI for Frame Relay, and VPLS IDs for MPLS. Used with flow interfaces to track traffic flow through networks.

flow interface

A point in a network through which traffic flows. Flow interfaces are used with flow identifiers such as VLAN IDs to allow for stacking and translation. A flow interface always has a device interface parent.

Functional Module

A separately licensed UIM component that manages the end-to-end life cycle of entities in a specific area, such as connectivity, geographic addresses, and network modeling. You can purchase only the modules required for your business.

See also [core platform](#).

global extension point

An [extension point](#) that can be applied to any specification. In contrast, a standard extension point applies only to a particular specification.

grooming

The process of re-routing traffic or capacity from one route to another route between two end points. Grooming is usually done to optimize traffic or in response to network infrastructure changes. In UIM, you perform grooming as an [activity](#) in a [project](#).

hierarchical relationship

See [parent-child relationship](#).

infrastructure network

A resource form of [network](#) that is typically backbone in nature. Examples include Ethernet, MPLS, SDH, SONET, ATM, and Frame Relay.

interface-bound

Refers to an interconnection (physical jumper or cross-connect) whose existence is dependent on the lifecycle of a device interface to which it is assigned.

See also [trail-bound](#).

inventory group

A UIM [common business entity](#) that enables you to organize and correlate entities in your inventory. For example, you can use inventory groups to group telephone numbers based on the locations to which they are assigned. You can use rulesets to define behaviors associated with the entities in an inventory group.

location

A type of [place](#) entity that models a spot or area that can be defined by geographic coordinates. A location can be a specific place such as a residence or office. A location can also represent a geopolitical area such as a city, state, or country.

See also [address](#) , [address range](#) , [site](#).

logical device

An entity that represents a collection of physical or logical resources that act together to perform a function in the network. Using Logical Device entities to model your inventory

enables you create addressable network elements that can be managed with activation applications. You can associate physical devices to logical devices.

See also [device interface](#), [physical device](#).

logical device account

An entity that represents accounts that are typically hosted or managed by a [logical device](#). Examples include voice mail accounts, email accounts, and server logins. Logical device accounts are usually associated to logical devices, but can exist independently.

measurement type

A group of related units of measure. For example, the bit rate measurement type includes units of measure such as bits per second (bps), kilobits per second (kbps), and so on.

media interface

A [device interface](#) that represents a physical interface or port that can host a physical connection. A device interface can be a media interface only when it is the root interface in its device interface hierarchy.

navigation section

The section of the left side of the UIM user interface that contains links to entity pages and other features.

network

A UIM entity that represents a collection of other entities that have a common meaning or purpose. The entities in a network can be physical or logical resources, such as equipment or logical devices, or they can be non-resources, such as parties or places. A network can also include another network.

There are three network types: [infrastructure network](#), [service network](#), and [virtual network](#).

See also [network edge](#), [network node](#).

network edge

A UIM entity that represents reachability or connectivity between nodes in a network. You can associate network edges with pipe entities to specify how that connectivity is realized.

See also [network](#), [network node](#).

network entity code

A string that uniquely identifies a network entity (such as a logical device) within a network location. The network entity code is always displayed together with the [network location code](#) of its location. For example, the network entity code K01 is shown as PLANTXXA,K01 if it is owned by location PLANTXXA.

network location

A [property location](#) that has been assigned a [network location code](#).

network location code

An alphanumeric string that uniquely identifies a [property location](#) in a network. When you assign a network location code to a property location, it becomes a [network location](#).

network node

A UIM entity that represents a specific logical spot in a network. You can associate network nodes with other entities, such as logical devices, equipment, places, and parties.

See also [network](#), [network edge](#).

network target

A type of [role](#) that identifies a logical device or party entity as a target for activation systems.

Oracle WebLogic Server

The Oracle application server for deploying enterprise Java EE applications. WebLogic Server hosts UIM.

packet connectivity

A type of [connectivity](#) in which data is transmitted in packets. Packet technologies include Ethernet, Frame Relay, and ATM. Packet is one of the three types of Connectivity entity supported by UIM.

See also [channelized connectivity](#) and [service connectivity](#).

packet virtual network

A collection of the interfaces and connectivities that support a service based on packet technology. A packet virtual network can include [flow interface](#), [device interface](#), [party](#), other packet virtual networks, [packet connectivity](#), and [cross-connect](#). Multipoint EVCs are examples of packet virtual networks.

page

An area of the UIM user interface in which you perform tasks such as searching for entities. Pages can be divided into one or more sections.

parent-child relationship

A relationship in which an entity (the parent) is superior to one or more other entities (the children). Many entity types can participate in hierarchies in which they be a parent, a child, or both.

party

A UIM entity that represents a person or organization that interacts with your inventory.

See also [role](#).

path analysis

A UIM feature for automatic enablement of pipes based on criteria that you enter. Path analysis finds the most efficient routes or paths through connectivity in a network and provides enablement options.

See also [enables relationship](#).

physical connector

A UIM entity that represents an item that connects hardware units for signal or power transmission. Unlike most other entities, physical connectors cannot exist independently. They exist only in the context of a Physical Device or Equipment entity.

See also [equipment](#), [equipment holder](#), [physical port](#), [physical device](#).

physical device

A UIM entity that represents a group of physical hardware items; the physical equivalent of a [logical device](#).

See also [equipment](#).

physical port

A UIM entity that represents where communication begins or ends on a Physical Device or Equipment entity. Unlike most other entities, physical port cannot exist independently. They exist only in the context of a Physical Device or Equipment entity.

See also [equipment](#), [equipment holder](#), [physical connector](#), [physical device](#).

pipe

A UIM entity that represents a connections among devices, equipment, or places in your inventory. Pipes can represent physical connectivity (such as cables, cable pairs,

and jumpers) and logical connectivity (such as service trails, DS1 facilities, and OC3 facilities).

See also [connectivity](#).

pipe termination point

An entity representing one of the two ends of a [pipe](#). Every pipe has two termination points that represent its ends. Signals travel over pipes from one termination point to the other. Termination points are created automatically when you create a pipe in UIM.

Termination points can be associated to various kinds of entities, such as device interfaces, logical devices, equipment, and places.

place

A UIM entity that defines a geographic point, area, or concept. There are four different types of Place entities: [address](#) , [address range](#) , [location](#) , and [site](#).

processing signal

A UIM entity that defines how signals can be multiplexed in some signal technologies, such as SDH and SONET.

product

A conceptual model entity that represents something that your business sells. Because UIM is primarily used for service fulfillment rather than sales, products are often identifiers associated with information from other systems.

A UIM Product entity also exists, but is included only for backward compatibility with previous versions. The Product entity is not visible by default.

project

In UIM, an entity that you use to plan and organize [activity](#), such as [grooming](#) and [rehomeing](#). Projects can include any number of activities, each of which defines operations of particular type. For example, you could create a project that includes all the activities related to a particular network infrastructure change or the activities during a specified time period. This UIM entity is also called a *managed project*.

In [Design Studio](#), an entity that contains artifacts (entities, data, rules, code, and so on) that you use to model and deploy [cartridge](#).

property location

A physical area with defined legal boundaries that enables the identification of the location of assets, customers, and services. A property location must be defined as a [network location](#), a [service location](#), or both.

provides relationship

A relationship in which one entity's existence depends on another entity. For example, a physical port is provided by a physical device because the port could not be created or exist without the physical device.

rate code

An entity that defines a technology-specific transmission rate for a connectivity or device interface to which it is assigned.

For example, the DS-1 rate code identifies a T-Carrier signal that operates at a bit rate of 1.544 Mbps.

rehomeing

Changing a connectivity design at an end point, such as at a device interfaces or port. In UIM, you perform rehomeing as an [activity](#) in a [project](#).

reservation

A feature of the UIM consumption pattern that makes it possible to restrict a resource from being assigned to other entities or processes for a period of time. You redeem a reservation by allocating the reserved resource to service, logical device, network, or site configuration before the reservation expires.

resource

A type of UIM entity that represents an item in your inventory. Resources entities can represent physical objects, such as network cards and fiber-optic cables, or logical resources, such as service trails and network addresses. Resources enable the delivery of services.

In UIM, you often assign resources to service configurations to specify how a service is realized in your network. For example, if you configure a VoIP service for a customer, you need to assign resources such as an IP phone, a telephone number, an IP address, a voice mail account, and a VoIP user account.

See also [common business entity](#).

rider

A connectivity that is enabled by (rides) another channel or connectivity.

See also [facility](#).

role

A UIM [common business entity](#) that identifies what part another entity plays in your inventory. For example, you can associate a Party entity with a role called Customer or Vendor.

See also [role type](#).

role type

Optional categories to which you can assign roles. There are three role types function, technology and topology.

ruleset

Java code modules that execute at particular times in UIM. For example, when you validate a service configuration, a ruleset is used to perform the validation. Some rulesets are included by default, but custom rulesets can extend UIM. See *UIM Concepts* and *UIM Developer's Guide* for detailed information.

See also [extension point](#), [global extension point](#), [ruleset extension point](#).

ruleset extension point

A Design Studio artifact that brings together a [ruleset](#) and an [extension point](#). You associate the ruleset extension point with an entity specification to customize how UIM handles entities based on the specification.

See also [global extension point](#).

section

A portion of the UIM user interface that you can collapse or hide.

Sequence specification

A Design Studio artifact that you use in conjunction with Entity Identification specifications to customize the way that IDs are assigned to entities. The Sequence specification defines the minimum and maximum ID values and how the values are incremented.

service

A UIM entity that represents the way that a product is realized and delivered to a customer. For example, if you sell DSL Gold as a product, it is delivered as a DSL Gold service, enabled by appropriate resources.

service connectivity

A [connectivity](#) that represents the service consumption of infrastructure resources. When modeled with pipes, this type of connectivity is called a [service trail](#). Service connectivity is one of the three types of Connectivity entity types supported in UIM.

See also [channelized connectivity](#) and [packet connectivity](#).

service fulfillment

A business process in which a customer order is accepted and a new service is provisioned to meet it. UIM plays a key role in service fulfillment by managing the services and resources used to design and realize the services.

service location

A [property location](#) that defines a place where a service is delivered or located.

service network

A type of [virtual network](#) that consolidates all [service location](#), network access connectivity, and supporting virtual networks into a single unified view of the service. Although it is tailored for the more complicated multipoint service, it can also display simplified point-to-point service.

service trail

A type of [pipe](#) entity that describes the logical flow of data in a service. You can enable the service trail to specify the resources with which it is realized.

See also [enables relationship](#), [path analysis](#).

SID

Shared Information Data Model (SID), a standard that provides the communications industry with a common vocabulary and set of definitions for next-generation operations support system (NGOSS) architectures.

signal architecture

A set of related signal definitions that form the multiplexing hierarchy for a signal technology. Signal technologies supported in UIM include T-Carrier, E-Carrier, J-Carrier, SONET, and SDH. In the case of SONET and SDH, the signal definitions consist of [signal termination point](#) specifications and [processing signal](#) specifications that are related in a variety of ways.

signal structure

The way that a TDM pipe's signal is channelized. For example, a T3 pipe may have 28 T1 channels. You use signal termination points to define the signals.

signal termination point

A UIM entity used to define capacity for pipes based on the TDM model. You use hierarchies of signal termination points to define signal structures that determine how a pipe's signal is channelized.

site

A type of [place](#) entity that models a loosely defined place such as a campus. Unlike other Place entities, a site is not necessarily bound to specific geographic coordinates. Sites are only loosely defined, so they can be associated with configurations that record facts that change over time.

See also [address](#) , [address range](#) , [location](#).

specification

A blueprint that defines the composition of an [entity](#), including the attributes and relationships between an entity and other objects. There are different types of specifications for different types of entities, such as telephone numbers, networks, customer facing services, and resources. Specifications are defined in Design Studio and deployed into run-time environments, where entities can be created based on them.

telephone number

A UIM entity that represents a telephone number. You can have multiple specifications that corresponds to number formats for different regions.

terminates relationship

A relationship between the end point of a pipe (a [pipe termination point](#)), and an entity that the pipe terminates on, such as a device interface.

topology

The spatial relationships among inventory entities in UIM. Topology supports the graphical representation (visualization) of common business entities as well as advanced features such as path analysis.

See also [topology node](#), [topology edge](#).

topology edge

An entity that represents a relationship between [topology nodes](#). Two types of relationships are represented as edges: connectivity and containment.

topology node

An entity that represents an object into which information can be transported or from which information can be transported. A topology node can represent a specific resource, such as a router, or it can represent something more general or geographic, such as a VPN site or a city. Topology nodes can be connected by [topology edges](#).

trail

The logical, end-to-end path that describes how a signal travels from one point to another. A trail is enabled to describe the resources ([pipe](#) and [connectivity](#) entities) that realize the trail.

trail-bound

Refers to an interconnection (physical jumper or cross-connect) whose existence is dependent on the lifecycle of the trail in which it occurs.

See also [interface-bound](#).

unit of measure

A quantity or increment that defines the units used to measure capacity in UIM. For example, kbps is a unit that measures a bit rate. Related units of measure are grouped into measurement types.

virtual network

A non-backbone [network](#) that relies on the existence of an [infrastructure network](#). A virtual network's nodes and edges can represent items in an infrastructure network or virtual items such as flow interfaces.