

# Oracle® Enterprise Session Border Controller

## ACLI Configuration Guide



Release S-Cz8.2.0

F20168-06

April 2021

The Oracle logo, consisting of a solid red square with the word "ORACLE" in white, uppercase, sans-serif font centered within it.

ORACLE®

Copyright © 2013, 2021, Oracle and/or its affiliates.

This software and related documentation are provided under a license agreement containing restrictions on use and disclosure and are protected by intellectual property laws. Except as expressly permitted in your license agreement or allowed by law, you may not use, copy, reproduce, translate, broadcast, modify, license, transmit, distribute, exhibit, perform, publish, or display any part, in any form, or by any means. Reverse engineering, disassembly, or decompilation of this software, unless required by law for interoperability, is prohibited.

The information contained herein is subject to change without notice and is not warranted to be error-free. If you find any errors, please report them to us in writing.

If this is software or related documentation that is delivered to the U.S. Government or anyone licensing it on behalf of the U.S. Government, then the following notice is applicable:

U.S. GOVERNMENT END USERS: Oracle programs (including any operating system, integrated software, any programs embedded, installed or activated on delivered hardware, and modifications of such programs) and Oracle computer documentation or other Oracle data delivered to or accessed by U.S. Government end users are "commercial computer software" or "commercial computer software documentation" pursuant to the applicable Federal Acquisition Regulation and agency-specific supplemental regulations. As such, the use, reproduction, duplication, release, display, disclosure, modification, preparation of derivative works, and/or adaptation of i) Oracle programs (including any operating system, integrated software, any programs embedded, installed or activated on delivered hardware, and modifications of such programs), ii) Oracle computer documentation and/or iii) other Oracle data, is subject to the rights and limitations specified in the license contained in the applicable contract. The terms governing the U.S. Government's use of Oracle cloud services are defined by the applicable contract for such services. No other rights are granted to the U.S. Government.

This software or hardware is developed for general use in a variety of information management applications. It is not developed or intended for use in any inherently dangerous applications, including applications that may create a risk of personal injury. If you use this software or hardware in dangerous applications, then you shall be responsible to take all appropriate fail-safe, backup, redundancy, and other measures to ensure its safe use. Oracle Corporation and its affiliates disclaim any liability for any damages caused by use of this software or hardware in dangerous applications.

Oracle and Java are registered trademarks of Oracle and/or its affiliates. Other names may be trademarks of their respective owners.

Intel and Intel Inside are trademarks or registered trademarks of Intel Corporation. All SPARC trademarks are used under license and are trademarks or registered trademarks of SPARC International, Inc. AMD, Epyc, and the AMD logo are trademarks or registered trademarks of Advanced Micro Devices. UNIX is a registered trademark of The Open Group.

This software or hardware and documentation may provide access to or information about content, products, and services from third parties. Oracle Corporation and its affiliates are not responsible for and expressly disclaim all warranties of any kind with respect to third-party content, products, and services unless otherwise set forth in an applicable agreement between you and Oracle. Oracle Corporation and its affiliates will not be responsible for any loss, costs, or damages incurred due to your access to or use of third-party content, products, or services, except as set forth in an applicable agreement between you and Oracle.

# Contents

## About This Guide

---

## 1 Getting Started

---

Installation and Start-Up	1-1
Hardware Installation Process	1-1
Connecting to Your Oracle® Enterprise Session Border Controller	1-2
Create a Console Connection	1-2
SSH Remote Connections	1-3
System Boot	1-8
Boot Parameters	1-8
Boot Parameter Definitions	1-9
Boot Flags	1-10
Setting Up System Basics	1-11
New System Prompt	1-11
Set Initial Passwords for Admin and User	1-11
Using the Oracle® Enterprise Session Border Controller Image	1-12
Obtaining a New Image	1-12
Copy an Image to the Oracle® Enterprise Session Border Controller using SFTP	1-13
System Image Filename	1-13
Booting an Image on Your Oracle® Enterprise Session Border Controller	1-14
Boot Parameter Definitions	1-14
Booting from Flash Memory	1-15
Setting Up Product-Type, Features, and Functionality	1-15
Entitlement Provisioning	1-16
System Setup	1-16
Setup Product	1-17
Setup Entitlements	1-17
Editing and Viewing Features	1-18
License Keys and Self-Provisioned Entitlements Compatibility	1-18
Adding and Deleting License Keys	1-19
Add a License Key	1-20
Delete a License Key	1-21

View Installed Features, Entitlements, and Licenses	1-22
Setup Features on an HA Pair	1-24
Installation Wizard	1-27
About the Installation Wizard	1-27
Run Setup	1-28
Enable Basic Mode and or Expert Mode	1-29
Set Up High Availability Mode	1-33
RADIUS Authentication	1-38
PAP Handshake	1-40
PAP Client Request Example	1-40
PAP RADIUS Response	1-40
CHAP Handshake	1-40
CHAP Client Request Example	1-41
CHAP RADIUS Response	1-41
MS-CHAP-v2 Handshake	1-41
MS-CHAP-v2 Client Request Example	1-41
MS-CHAP-v2 RADIUS Response	1-42
Management Protocol Behavior	1-42
RADIUS Authentication Configuration	1-43
Global Authentication Settings	1-43
RADIUS Server Settings	1-44
TACACS+	1-46
TACACS+ Overview	1-46
TACACS+ Administrative Security	1-47
TACACS+ Authentication	1-47
ascii Login	1-47
PAP Login	1-47
CHAP Login	1-47
Authentication Message Exchange	1-48
TACACS+ Authorization	1-48
TACACS+ Authorization Command & Arguments Boundary	1-48
Authorization Message Exchange	1-48
TACACS+ Accounting	1-49
Accounting Message Exchange	1-49
TACACS+ Configuration	1-49
Enable TACACS+ Client Services	1-50
Specify TACACS+ Servers	1-51
Managing TACACS+ Operations	1-53
TACACS+ MIB	1-53
SNMP Trap	1-54
TACACS+ Faults	1-54



ACLI show Command	1-54
TACACS+ Logging	1-55
Customizing Your ACLI Settings	1-55
Disabling the Second Login Prompt	1-55
Disabling the Second Login Prompt Configuration	1-55
Persistent ACLI more Parameter	1-56
Persistent ACLI more Parameter Configuration	1-56
Customized Login Banner	1-56

## 2 System Configuration

---

Configuring The Oracle® Enterprise Session Border Controller as a Virtual Machine (VM)	2-1
CPU Core Configuration	2-2
System Shutdown	2-4
Small Footprint VNF	2-4
General System Information	2-4
System Identification	2-4
Connection Timeouts	2-4
Cluster Member Graceful Shutdown	2-5
Detailed Description of Graceful Shutdowns with Active SIP Calls or Registrations	2-5
High-level Procedure for Graceful OCSBC Shutdown	2-6
Configuring General System Information	2-7
System Identification	2-8
Configuring Connection and Debug Logging Timeouts	2-8
System Configuration	2-9
Configure General System Identification	2-9
Configuring Connection and Debug Logging Timeouts	2-10
Phy-Interfaces	2-10
Before You Configure	2-13
Phy-Interface Configuration	2-13
Interface Utilization: Graceful Call Control, Monitoring, and Fault Management	2-14
Calculation Overview	2-15
Alarms	2-15
Alarm Configuration	2-15
Network Interfaces	2-17
IP Configuration	2-17
VLANs	2-17
Overlapping Networks	2-17
Administrative Applications Over Media Interfaces	2-18
Configurable MTU Size	2-18

Network Interface Configuration	2-19
Special Considerations	2-19
Network Interfaces Configuration	2-19
IP Identification (ID) Field	2-22
IP Identification Field Configuration	2-22
SNMP	2-23
Syslog and Process Logs	2-24
Overview	2-24
Process Log Messages	2-24
Syslog and Process Logs Configuration	2-24
Syslog Configuration	2-25
Configure the Process Log Server	2-26
Host Routes	2-26
Host Routes Example	2-26
Host Route Configuration	2-27
Setting Holidays in Local Policy	2-27
Holidays Configuration	2-27
Opening TCP Ports 3000 and 3001	2-28
Enable System to Connect to SDM	2-28
DNS on the OCSBC	2-29
DNS Configuration	2-30
Retransmission Logic	2-31
DNS Support for IPv6	2-31
DNS Transaction Timeout	2-32
DNS Transaction Timeout Configuration	2-32
DNS Entry Maximum TTL	2-33
DNS Entry Max TTL Configuration per Network Interface	2-33
DNS-SRV Session Agent Recursion Error Handling	2-33
Realms	2-35
Before You Configure	2-35
Configure realm-config	2-35
QoS Measurement	2-38
QoS Marking	2-38
Address Translation Profiles	2-38
Interface and Realm Support of DNS Servers	2-38
DoS ACL Configuration	2-39
Enabling RTP-RTCP UDP Checksum Generation	2-39
Aggregate Session Constraints Per Realm	2-39
Admission Control Configuration	2-39
DNS Re-query over TCP	2-39
DNS Re-query over TCP Config	2-40

Configurable DNS Response Size	2-40
DNS Response Size Configuration	2-41
Disabling Recursive DNS Queries for ENUM	2-41
DNS Server Status via SNMP	2-42
Persistent Protocol Tracing	2-42
About Persistent Protocol Tracing	2-42
About the Logs	2-43
Process Logs	2-43
Communication Logs	2-43
Protocol Trace Logs	2-43
Persistent Protocol Tracing Configuration	2-43
System Access Control	2-44
Adding an ACL for the Management Interface	2-45
Notes on Deleting System ACLs	2-45
System TCP Keepalive Settings	2-46
System TCP Keepalive Configuration	2-46
Configurable TCP Timers	2-48
Configuring TCP Connection Establishment	2-48
Configuring TCP Data Retransmission	2-49
Timer for Idle Connections	2-50
RTP TTL	2-51
RAMdrive Log Cleaner	2-51
Applicable Settings	2-52
Clean-Up Procedure	2-52
Clean-Up Frequency	2-53
RAMdrive Log Cleaner Configuration	2-53
Configurable Alarm Thresholds and Traps	2-55
SNMP Traps	2-56
Alarm Thresholds Configuration	2-57
Alarm Synchronization	2-58
Caveats	2-58
Alarm Synchronization Configuration	2-59
Accounting Configuration	2-59
Stream Control Transfer Protocol Overview	2-60
SCTP Packets	2-60
SCTP Terminology	2-60
SCTP Message Flow	2-61
Congestion Control	2-63
Multi-Streaming	2-63
Delivery Modes	2-64
Multi-Homing	2-64

Multi-Homing and Path Diversity	2-65
Monitoring Failure Detection and Recovery	2-65
Configuring SCTP Support for SIP	2-66
Configuring an SCTP SIP Port	2-66
Configuring the Realm	2-67
Configuring Session Agents	2-68
Setting SCTP Timers and Counters	2-69
Setting the RTO	2-70
Setting the Heartbeat Interval	2-71
Setting the SACK Delay Timer	2-72
Limiting DATA Bursts	2-73
Setting Endpoint Failure Detection	2-73
Setting Path Failure Detection	2-74
Specifying the Delivery Mode	2-75
Example Configurations	2-76
Phy Interface Configuration	2-76
Network Interface Configuration	2-77
SIP Port Configuration	2-77
Realm Configuration	2-78
Session Agent Configuration	2-78
IPv6 Address Configuration	2-79
Access Control	2-80
Host Route	2-80
Local Policy	2-80
Network Interface	2-80
ENUM Server	2-81
Realm Configuration	2-81
Session Agent	2-81
SIP Configuration	2-81
SIP Interface SIP Ports	2-81
Steering Pool	2-82
System Configuration	2-82
TSCF Configuration	2-82
IPv6 Support for Management and Telemetry	2-82
IPv6 Default Gateway	2-83
IPv6 Link Local Addresses	2-83
Network Interfaces and IPv6	2-84
IPv6 Reassembly and Fragmentation Support	2-84
Access Control List Support	2-85
Data Entry	2-85
Homogeneous Realms	2-86

Parent-Child Network Interface Mismatch	2-86
Address Prefix-Network Interface Mismatch	2-86
RADIUS Support for IPv6	2-86
Supporting RADIUS VSAs	2-86
NTP Synchronization	2-87
Setting NTP Synchronization	2-87
Authenticated NTP	2-88
Monitoring NTP from the ACLI	2-89
View Statistics	2-89
View Status	2-90
Telephony Fraud Protection	2-90
Telephony Fraud Protection Target Matching Rules	2-92
Telephony Fraud Protection File Activation	2-94
Telephony Fraud Protection Data Types and Formats	2-95
Configure Telephony Fraud Protection	2-96
Refresh the Telephony Fraud Protection File	2-97
Telephony Fraud Protection ACLI Show Commands	2-97
Telephony Fraud Protection verify-config	2-98
Fraud Protection XML Source File Example	2-99

### 3 Realms and Nested Realms

---

Overview	3-1
About Realms and Network Interfaces	3-1
About the SIP Home Realm	3-1
About Realms and Other Oracle® Enterprise Session Border Controller Functions	3-2
Realms	3-2
Interface and Realm Support of DNS Servers	3-6
Realms	3-7
Interface and Realm Support of DNS Servers	3-11
Nested Realms	3-12
Nested Realms	3-12
Configuring Nested Realms	3-14
Parent and Child Realm Configuration	3-15
Required Signaling Service Parameters	3-15
Aggregate Session Constraints Nested Realms	3-16
Impact to Other Session Constraints and Emergency Calls	3-17
Session Constraints Configuration	3-17
Realm-Based Packet Marking	3-18
About TOS DiffServ	3-18
ToS Byte	3-18

DiffServ Byte	3-19
Packet Marking for Media	3-19
Configuring Packet Marking by Media Type	3-19
Packet Marking Configuration	3-20
Applying a Media Policy to a Realm	3-21
Signaling Packet Marking Configuration	3-21
Configuring a Media Policy for Signaling Packet Marking	3-21
Applying a Media Policy to a Realm	3-23
Using Class Profile for Packet Marking	3-23
Class Profile and Class Policy Configuration	3-23
Applying a Class Policy to a Realm	3-24
SIP-SDP DCSP Marking ToS Bit Manipulation	3-25
ToS Bit Manipulation Configuration	3-26
Steering Pools	3-27
Configuration Overview	3-27
Steering Pool Configuration	3-28
SDP Alternate Connectivity	3-29
SDP Alternate Connectivity Configuration	3-30
Multiple Interface Realms	3-31
Steering Pool Port Allocation	3-34
Network Interface Configuration	3-34
Creating Steering Pools for Multiple Interface Realms	3-35
Media over TCP	3-36
TCP Bearer Conditions	3-36
TCP Port Selection	3-37
SDP Offer Example	3-40
Timers	3-41
TCP Port Configuration	3-41
Transparent BFCP Support over UDP and TCP	3-42
Restricted Media Latching	3-44
About Latching	3-44
Restricted Latching	3-44
Symmetric Latching	3-45
Relationship to Symmetric Latching	3-45
Example 1	3-46
Example 2	3-46
Restricted Latching Configuration	3-46
Media Release Across SIP Network Interfaces	3-47
Media Release Configuration	3-47
Media Release Behind the Same IP Address	3-48
Additional Media Management Options	3-48

Configuring Media Release Behind the Same IP Address	3-49
Bandwidth CAC for Media Release	3-49
Bandwidth CAC Configuration	3-50
Media Release between Endpoints with the Same IP Address	3-50
Media Release Configuration	3-51
Media Release Behind the Same NAT IP Address	3-51
Media Release Configuration	3-52
Codec Reordering	3-52
Preferred Codec Precedence	3-53
Codec Reordering Configuration	3-54
Setting a Preferred Codec for a Realm	3-54
Setting a Preferred Codec for a Session Agent	3-55
Media Profiles Per Realm	3-56
Call Admission Control and Policing	3-56
Media Profile Configuration	3-57
About Wildcarding	3-57
Multiple Media Profiles	3-58
Use Case 1	3-59
Use Case 2	3-59
Multiple Media Profiles Configuration	3-59
SIP Disable Media Inactivity Timer for Calls Placed on Hold	3-60
Media Inactivity Timer Configuration	3-60
Media Manager Configuration for Virtual Machines (VM)	3-61

## 4 SIP Signaling Services

---

About the Oracle® Enterprise Session Border Controller and SIP	4-1
Types of SIP Devices	4-1
Basic Service Models	4-1
About B2BUA	4-2
SIP B2BUA Peering	4-2
B2BUA Hosted IP Services	4-2
SIP B2BUA and L3 L5 NAT	4-3
About SIP Interfaces	4-3
SIP INVITE Message Processing	4-3
Example	4-4
Configuring the Oracle® Enterprise Session Border Controller for SIP Signaling	4-4
Home Realm	4-5
Overview	4-5
SIP NAT Function	4-6
Home Realm's Purpose	4-6

Home Realm Configuration	4-6
SIP Interfaces	4-8
Overview	4-8
About SIP Ports	4-8
Preferred SIP Port	4-8
Proxy Mode	4-9
Redirect Action	4-9
SIP maddr Resolution	4-9
SIP maddr Resolution Configuration	4-11
Trust Mode	4-11
About the Process	4-11
Call Duration Counters	4-12
Configurable Timers and Counters	4-14
Timer to Tear Down Long Duration Calls	4-14
Timer to Tear Down Long Duration Calls Configuration	4-15
SIP Interface Configuration	4-15
Configuring SIP Ports	4-21
Mapping of Diversion Information Between Diversion and History-Info Headers	4-22
Diversion and History-Info Headers Interworking Configuration	4-26
Recurse 305 Only Redirect Action	4-26
Redirect Action Process	4-26
Redirect-Action Set to Proxy	4-27
Redirect-Action Set to Recurse	4-28
Redirect-Action Set to Recurse-305-Only	4-29
Redirect Configuration for SIP Interface	4-30
Embedded Routes in Redirect Responses	4-30
SIP PRACK Interworking	4-32
UAC-Side PRACK Interworking	4-32
UAS-Side PRACK Interworking	4-33
PRACK Interworking Configuration	4-34
Global SIP Timers	4-35
Overview	4-35
Timers Configuration	4-35
SIP Timers Discreet Configuration	4-37
Session Timer Support	4-38
Call Flow Example	4-38
SIP Per-User CAC	4-39
Per User CAC Modes	4-40
Per User CAC Sessions	4-40
Per User CAC Bandwidth	4-40
Notes on HA Nodes	4-41



SIP per User CAC Configuration	4-41
SIP Per-Realm CAC	4-42
SIP per Realm CAC Configuration	4-43
Enabling Realm-Based CAC	4-43
Viewing Realm-Based CAC Data	4-43
SIP Options Tag Handling	4-44
Overview	4-44
Configuration Overview	4-44
SIP Option Tag Handling Configuration	4-45
Replaces Header Support	4-47
New SDP Parameters in INVITE with Replaces	4-48
Early Dialog Replacement	4-48
INVITE with Replaces in Early Dialog Server Side	4-49
Replace Header Configuration	4-49
Debugging	4-50
show sipd status	4-50
show sipd errors	4-50
SIP Options	4-50
Overview	4-51
Global SIP Options	4-51
SIP Interface Options	4-58
SIP Session Agent Options	4-60
SIP Realm Options	4-60
SIP Realm Options Configuration	4-61
Configuring Multiple Options	4-61
Adding an Entry	4-62
SIP Security	4-62
Denial of Service Protection	4-62
Levels of DoS Protection	4-63
Configuration Overview	4-63
SIP Unauthorized Endpoint Call Routing	4-64
SIP Unauthorized Endpoint Call Routing Configuration	4-64
Digest Authentication with SIP	4-65
Challenge-Responses in Requests not in the Dialog	4-66
Configuring Digest Authentication	4-67
Additional Notes	4-68
Digest Authentication and High Availability	4-69
SIP NAT Function	4-69
Overview	4-69
NAT Modes	4-70
Adding a maddr Parameter to a URI	4-71

About Headers	4-71
Replacing Headers	4-72
Mapping FQDNs	4-72
SIP NAT Function Cookies	4-72
userinfo	4-72
host	4-73
URL Parameter	4-74
tel URL	4-74
Configuration Overview	4-75
SIP NAT Interface	4-75
SIP NAT Function Policies	4-76
SIP NAT Function Configuration	4-77
SIP Realm Bridging	4-81
About SIP NAT Bridging	4-82
SIP NAT Bridge Configuration Scenarios	4-83
Many to One Configuration	4-83
One-to-One Configuration	4-83
SIP NAT Bridge Configuration	4-84
Creating a Virtual Home Network	4-84
Many-to-One Configuration	4-85
One-to-One Configuration	4-85
Shared Session Agent	4-86
SIP Hosted NAT Traversal (HNT)	4-86
About SIP HNT	4-86
Using HNT with Existing NAT Device	4-87
Registering Endpoints	4-87
Establishing Media Flows	4-88
Prerequisites	4-88
Keeping the NAT Binding Open	4-88
Working with Multiple Domains	4-90
HNT Configuration Overview	4-91
SIP HNT Single Domain Example	4-91
SIP HNT Multiple Domain Example	4-91
HNT Configuration	4-92
Global SIP Configuration	4-94
Keep-Alive with CR LF 2832	4-96
Keep-alive Configuration	4-98
SIP Registration Local Expiration	4-99
SIP Registration Local Expiration Configuration	4-99
Simultaneous TCP Connection and Registration Cache Deletion	4-101
Registration Cache Deletion Configuration	4-101

SBC Incorrectly Appends Cookie in SIP REGISTER Message	4-101
process-implicit-tel-URI Configuration	4-102
SIP HNT Forced Unregistration	4-102
When to Use Forced Unregistration	4-103
Caution for Using Forced Unregistration	4-103
SIP HNT Forced Unregistration Configuration	4-103
Adaptive HNT	4-104
Overview	4-104
Adaptive HNT Example	4-105
Synchronize A-HNT Successful Timer to Standby	4-105
Adaptive NHT Configuration	4-105
SIP IP Address Hiding and NATing in XML	4-106
Sample SIP NOTIFY with NATed XML	4-107
SIP Server Redundancy	4-108
Overview	4-108
Configuration Overview	4-108
SIP Server Redundancy Configuration	4-109
Administratively Disabling a SIP Registrar	4-110
Considerations for Implicit Service Route Use	4-110
Manual Trigger Configuration	4-111
Manual Trigger Confirmation	4-112
Surrogate Agents and the Oracle® Enterprise Session Border Controller	4-112
Surrogate Agent Refresh on Invalidate	4-113
Invalidate Registrations	4-113
Performance Impact	4-113
Media Inactivity Timer Configuration	4-113
Surrogate Registration	4-114
Registration	4-114
Routing Calls from the IP-PBX	4-115
Configure Surrogate Registration	4-115
Example	4-117
SIP Distributed Media Release	4-118
Overview	4-118
Endpoint Locations	4-118
Location of the Encoded Information	4-119
Example Distributed Media Release	4-119
Overview of SIP DMR Configuration	4-120
SIP DMR Configuration	4-121
Configuring the Realm	4-122
Add-On Conferencing	4-123
Overview	4-123

Caveats	4-123
Add-On Conferencing Scenario	4-123
SIP B2BUA Functionality	4-124
Contact Header Processing	4-124
Target Mapping and Conferences	4-124
Refer-To Header Processing	4-125
Add-on Conferencing Configuration	4-125
SIP REFER Method Call Transfer	4-126
Unsuccessful Transfer Scenarios	4-127
Call Flows	4-127
SIP REFER Method Configuration	4-129
REFER-Initiated Call Transfer	4-130
Supported Scenarios	4-131
Call Flows	4-132
REFER Source Routing	4-134
REFER Source Routing Configuration	4-135
180 & 100 NOTIFY in REFER Call Transfers	4-136
Sample Messages	4-138
180 and 100 NOTIFY Configuration	4-140
SIP REFER Re-Invite for Call Leg SDP Renegotiation	4-140
Scenario	4-140
Alterations to SIP REFER	4-141
Implementation Details	4-141
SIP REFER with Replaces	4-142
SIP REFER with Replaces Configuration	4-143
SIP REFER-to-BYE	4-143
SIP hold-refer-reinvite	4-144
Enable hold-refer-reinvite - ACLI	4-144
SIP Roaming	4-145
Overview	4-145
Process Overview	4-145
Using Private IPv4 Addresses	4-146
Example 1 With a NAT Firewall	4-146
Example 2 Without a NAT Firewall	4-146
SIP Roaming Configuration	4-147
Embedded Header Support	4-148
Embedded Header Support Configuration	4-149
Dialog Transparency	4-150
Overview	4-150
Dialog Transparency Configuration	4-150
Route Header Removal	4-151

Route Header Removal Configuration	4-151
SIP Via Transparency	4-151
SIP Via Transparency Configuration	4-152
Symmetric Latching	4-153
Symmetric Latching Configuration	4-153
Enabling RTCP Latching	4-154
SIP Number Normalization	4-155
Terminology	4-155
Calls from IP Endpoints	4-155
Calls from IP Peer Network	4-156
SIP Number Normalization Configuration	4-156
Realm	4-156
Session Agent	4-157
SIP Port Mapping	4-158
About SIP Port Mapping	4-158
How SIP Port Mapping Works	4-159
SIP Port Mapping Based on IP Address	4-160
About NAT Table ACL Entries	4-160
Using SIP Port Mapping	4-161
Dynamic Configuration	4-162
Registration Statistics	4-162
SIP Port Mapping Configuration	4-163
SIP Port Mapping for TCP and TLS	4-165
SIP Port Mapping Configuration for TCP TLS	4-165
Terminating Trunk Group URI Parameters and Formats	4-166
SIP Configurable Route Recursion	4-168
Example 1	4-169
Example 2	4-170
SIP Route Recursion Configuration	4-170
Configuring a Session Agent for SIP Route Recursion	4-170
Configuring a SIP Interface for SIP Route Recursion	4-171
SIP Event Package Interoperability	4-172
SIP Event Package Interoperability Configuration	4-172
SIP Proxy Subscriptions	4-173
Topology Hiding	4-174
Feature Interaction	4-175
SIP Proxy Subscription Configuration	4-175
SIP REGISTER Forwarding After Call-ID Change	4-176
SIP REGISTER Forwarding Configuration	4-176
SIP Local Response Code Mapping	4-177
SIP Local Response Code Mapping Configuration	4-178

Creating a SIP Response Code Map	4-178
Assigning SIP Response Code Maps to Session Agents	4-179
Assigning SIP Response Code Maps to SIP Interfaces	4-180
Session Agent Ping Message Formatting	4-180
Session Agent Ping Message Formatting Configuration	4-181
SIP PAI Stripping	4-181
SIP PAI Stripping Configuration	4-183
SIP Statuses to Q.850 Reasons	4-184
SIP-SIP Calls	4-185
Configure Reason and Cause Mapping for SIP-SIP Calls	4-185
Adding the Reason Header	4-186
Calls Requiring IWF	4-187
Default Mappings	4-188
SIP Status	4-190
Trunk Group URIs	4-192
Terminology	4-192
Trunk Group URI Parameters	4-193
Originating Trunk Group URI Parameters and Formats	4-193
Terminating Trunk Group URI Parameters and Formats	4-194
Trunk Group Signaling Parameters	4-196
SIP Header and Parameter Manipulation	4-198
Trunk Group Routing	4-198
Trunk Group URIs and SIP Registration Caching	4-198
Trunk Group URI Configuration	4-199
Precedence Used for Trunk Group Configurations	4-199
Configuring SIP Manipulations	4-200
Setting the Trunk Group URI Mode for Routing	4-200
Configuring a Session Agent for Trunk Group URIs	4-201
Configuring a Session Agent Group for Trunk Group URIs	4-202
Setting a Trunk Group Context in a Realm	4-203
Using this Feature with a SIP Interface	4-203
Example 1 Adding Originating Trunk Group Parameters in IPTEL Format	4-204
Example 2 Adding Originating Trunk Group Parameters in Custom Format	4-204
Example 3 Removing IPTEL Trunk Group Names	4-205
Example 4 Removing Custom Trunk Group Names	4-205
Emergency Session Handling	4-206
Emergency Session Handling Configuration Procedures	4-206
Emergency Session Handling Configuration	4-207
Setting Policy Priority	4-207
Fraud Prevention	4-208
Fraud Prevention Configuration	4-208

SIP Early Media Suppression	4-209
Example	4-210
Early Media Suppression Support	4-211
Call Signaling	4-211
Suppression Duration	4-211
About the Early Media Suppression Rule	4-211
Session Agent Rule	4-212
Rule Resolution	4-212
Selective Early Media Suppression	4-212
Configuring the Realm	4-213
Configuring Session Agents	4-214
Configuring Realm Groups	4-215
SDP-Response Early Media Suppression	4-217
SIP-Based Addressing	4-217
SDP-Based Addressing	4-217
Global Realms	4-218
Additional Prefixes	4-218
Using the SDP-Response Early Media Suppression Rule	4-218
Example	4-219
Configuring SDP-Response Early Media Suppression	4-219
Configuring the SIP Interface	4-220
Configuring a Realm	4-221
SIP Duplicate SDP Suppression	4-223
SIP Duplicate SDP Suppression Configuration	4-223
SIP SDP Address Correlation	4-224
SIP SDP Address Correlation Configuration Mismatch Status Code	4-224
SIP SDP Address Correlation Configuration Enforcement Profile	4-225
SIP SDP Address Correlation Configuration Address Checking	4-225
SDP Insertion for (Re)INVITES	4-226
SDP Insertion for SIP INVITES	4-226
SDP Insertion for SIP ReINVITES	4-227
SDP Insertion Configuration	4-228
Configuring SDP Insertion for SIP INVITES	4-228
Configuring SDP Insertion for SIP ReINVITES	4-229
Restricted Media Latching	4-229
About Latching	4-230
Restricted Latching	4-230
Symmetric Latching	4-230
Relationship to Symmetric Latching	4-231
Example 1	4-231
Example 2	4-231

Restricted Latching Configuration	4-232
Enhanced SIP Port Mapping	4-232
Anonymous Requests	4-233
Anonymous SIP Requests Configuration	4-233
SIP Registration Via Proxy	4-233
Considerations for Reg-Via-Key and Port Mapping	4-234
Request Routing	4-234
SIP Registration Via Proxy Configuration	4-234
Dynamic Transport Protocol Change	4-235
Dynamic Transport Protocol Change Configuration	4-235
SIP Privacy Extensions	4-236
Privacy Types Supported	4-236
user	4-237
header	4-237
id	4-237
Examples	4-237
Calls from Untrusted Source to Trusted Target	4-238
Calls from Trusted to Untrusted	4-238
Calls from Trusted to Trusted	4-238
Configuring SIP Privacy Extensions	4-238
Trust Mode	4-238
Disabling the PPI to PAI Change	4-239
SIP Registration Cache Limiting	4-240
About Registration Cache Additions Modifications and Removals	4-241
Registration Cache Alarm Threshold	4-241
Notes on Surrogate Registration	4-242
Monitoring Information	4-242
SIP Registration Cache Limiting Configuration	4-242
SIP Registration Overload Protection	4-243
SIP Registration Overload Protection Configuration	4-244
SIP Request Method Throttling	4-245
About Counters and Statistics	4-246
SIP Request Method Throttling Configuration	4-246
Rate Constraints for SIP Interfaces	4-247
Applying Session and Rate Constraints to a SIP Interface	4-248
Configuring Rate Constraints for Session Agents	4-248
SIP Delayed Media Update	4-250
Delayed Media Update Disabled	4-250
Delayed Media Update Enabled	4-250
SIP Delayed Media Update Configuration	4-251
Expedited Call Leg Release for Preempted Hairpin Calls	4-251



Accounting Considerations	4-252
SIPconnect	4-252
Modifications to Registration Caching Behavior	4-252
Configuring SIP Connect Support	4-253
Required Configuration	4-253
Suggested Additional Configuration	4-254
SIP Connect Configuration	4-254
SIP Registration Event Package Support	4-255
Updating Expiration Values	4-256
Contact Cache Linger Configuration	4-256
SIP Event Package for Registrations	4-257
Applicable Standards	4-257
Call Flow	4-258
Notification Bodies	4-260
SIP Event Package for Registrations Configuration	4-261
SIP Transport Selection	4-261
SIP Transport Selection Configuration	4-261
SIP Method-Transaction Statistic Enhancements	4-262
SIP Method Tracking Enhancements Configuration	4-263
SIP TCP Connection Reuse	4-263
SIP TCP Connection Reuse Configuration	4-264
SIP TCP Keepalive	4-265
SIP TCP Keepalive Configuration for Session Agents	4-265
SIP TCP Keepalive Configuration for SIP Interfaces	4-266
TCP Connection Tools	4-266
TCP and SCTP State Connection Counters	4-267
show sipd tcp connections	4-269
show sipd tcp	4-271
show ip	4-273
show sipd	4-274
Updated Show Commands	4-283
SIP Enforcement Profile and Allowed Methods	4-283
SIP Enforcement Profile Configuration	4-283
Setting Up and Enforcement Profile	4-283
Applying an Enforcement Profile	4-284
Enforcement Profile Configuration with subscribe-event	4-285
Setting Up Subscribe Dialog Limits	4-286
Applying an Enforcement Profile to a Realm	4-287
P-Certificate-Subject-Common-Name to REGISTER Messages	4-287
Configure the P-Certificate-Subject-Common-Name From the ACLI	4-288
Local Policy Session Agent Matching for SIP	4-289

Local Policy Session Agent Matching Configuration	4-292
SCTP Delivery Mode Configuration	4-293
About Wildcarding	4-294
Monitoring	4-294
STUN Server	4-294
About STUN Messaging	4-295
STUN Server Functions on the Oracle® Enterprise Session Border Controller	4-296
RFC 3489 Procedures	4-296
rfc3489bis Procedures	4-297
Monitoring	4-297
STUN Server Configuration	4-298
SIP ISUP Features	4-298
SIP Diversion to SIP-ISUP Interworking	4-299
SIP-ISUP Configuration	4-299
SIP ISUP Profile Configuration	4-300
Apply Your Profiles to a Session Agent	4-300
SIP-ISUP Format Version Interworking	4-301
Details	4-301
SIP-ISUP Format Interworking Configuration	4-301
Apply a SIP ISUP Profile to a Session Agent	4-302
SIP GRUU	4-303
Contact Header URI Replacement	4-303
Record-Route Addition	4-303
GRUU URI Parameter Name	4-304
SIP GRUU Configuration	4-304
SIP Session Timer Feature	4-305
How the Session Timer Feature Works	4-305
SIP Session Timer Configuration	4-307
DTMF Conversion Processing	4-308
SIP-KPML to RFC 2833 Conversion for DTMF Events	4-310
SIP KPML to RFC 2833 Negotiation	4-311
RFC 2833 to SIP KPML Negotiation	4-311
KPML-2833 Interworking on a SIP Interface Configuration	4-311
LMSD SIP Call Progress Tone Interworking	4-311
LMSD Interworking Configuration	4-312
SIP re-INVITE Suppression	4-312
SIP re-INVITE Suppression Configuration	4-313
RFC 4028 Session Timers	4-313
Ingress Call Leg	4-314
Setting 200 OK's Session-Expire value	4-314
Refresher	4-314

Egress Call Leg	4-315
Outbound INVITE Message	4-315
UAS Initial Response	4-316
Session Refreshes	4-316
Oracle® Enterprise Session Border Controller as Refresher	4-316
Oracle® Enterprise Session Border Controller as Refresh Responder	4-317
Timer Expiration	4-318
Interaction with SIP Features	4-318
Examples	4-319
ACLI Configuration	4-323
Verify Config Validation	4-324
show sipd status	4-324

## 5 Signaling

---

H.323 Signaling Services	5-1
Peering Environment for H.323	5-1
Video-Conferencing Support	5-2
Overview	5-3
Signaling Modes of Operation	5-3
Back-to-Back Gateway Signaling	5-3
Back-to-Back Gatekeeper Proxy and Gateway	5-4
Interworking Gatekeeper-Gateway	5-5
Realm Bridging with Static and Dynamic Routing	5-6
Before You Configure	5-7
Global H.323 Settings	5-7
Global H.323 Settings Configuration	5-7
Accessing Global H.323 Parameters	5-7
Global H.323 Settings	5-8
H.323 Interfaces	5-9
H.323 Interfaces Configuration	5-9
Identity and State	5-10
Realm and Interface Associations	5-10
H.323 Signaling Interface Settings	5-10
H. 323 System Resource Allocation	5-11
H.323 Service Modes	5-12
H.323 Service Modes Configuration	5-12
Configuring Gateway Only Settings	5-12
Gatekeeper Proxy Settings	5-13
H.323 Features	5-14
Fast Start Slow Start Translations	5-14

Fast Start to Slow Start Translation	5-14
Slow Start to Fast Start Translation	5-15
Slow Start Fast Start Prerequisites	5-16
Media Profile Configuration	5-16
Fast Start/Slow Start Configurations	5-18
H.235 Encryption	5-20
RFC 2833 DTMF Interworking	5-21
About RFC 2833	5-21
About H.245 UII	5-21
About 2833 to H.245 UII Interworking	5-21
Flow Control Mapping for Interworking Function (IWF) Video	5-21
About DTMF Transfer	5-23
Preferred and Transparent 2833	5-24
Preferred 2883 Support	5-24
Transparent 2833 Support	5-25
Basic RFC 2833 Negotiation Support	5-26
H.323 to H.323 Negotiation	5-26
Signal and Alpha Type Support	5-27
H.323 Endpoints	5-27
Translating H.245 UII to 2833 for H.323 Calls	5-28
H.323 Registration Proxy	5-30
H.235 Authentication Transparency	5-31
Unique CSA Per Registered Gateway	5-31
Virtual Call Signaling Address	5-31
Virtual RAS Address	5-32
RAS Message Proxy	5-32
About Setting Port Ranges	5-32
H.323 Registration Proxy Configuration	5-33
H.323 Registration Caching	5-34
Caveats for Registration Caching	5-35
Configuration Requirements	5-35
H.323 Registration Caching Configuration	5-36
Configuring the Gatekeeper Interface for Registration Caching	5-37
ACLI Registration Caching Configuration Example	5-38
H.245 Stage	5-39
Dynamic H.245 Stage Support	5-40
Dynamic H.245 Stage for Incoming Calls	5-40
Dynamic H.245 Stage for Outgoing Calls	5-41
H.245 Stage Configuration	5-41
H.323 HNT	5-42
Caveats	5-43

H.323 HNT Configuration	5-43
H.323 Party Number-E.164 Support	5-44
Signaling Only Operation	5-44
H.245	5-45
H.225	5-45
Maintenance Proxy Function	5-46
Maintenance Proxy Configuration	5-47
Applying TCP Keepalive to the H.323 Interface	5-47
Automatic Gatekeeper Discovery	5-48
Automatic Gatekeeper Configuration	5-48
H.323 Alternate Routing	5-49
Without Alternate Routing Enabled	5-49
With Alternate Routing Enabled	5-49
H.323 Alternate Routing Configuration	5-50
H.323 LRQ Alternate Routing	5-51
Caveats	5-52
H.323 LRQ RAS Retransmission Configuration	5-53
H.323 LRJ Limit Configuration	5-53
H.323 CAC Release Mechanism	5-54
H.323 CAC Release Configuration	5-55
H.323 Per-Realm CAC	5-55
Caveats	5-56
H.323 Per-Realm CAC Configuration	5-56
H.323 Bearer-Independent Setup	5-57
H.323 BIS Disabled	5-57
H.323 BIS Enabled	5-58
H.323 BIS Global Configuration	5-58
H.323 BIS Specific Configuration	5-58
TOS Marking for H.323 Signaling	5-59
H.323 Codec Fallback	5-59
Codec Fallback Disabled	5-60
Codec Fallback Enabled	5-60
H.323 Codec Fallback Configuration	5-61
H.323 TCS Media Sample Size Preservation	5-62
Media Sample Size Configuration	5-63
H.323-TCS H.245 Support for H.264 and G722.1	5-64
H.323-TCS Generic Video Configuration	5-64
H.323-TCS Generic Audio Configuration	5-65
International Peering with IWF and H.323 Calls	5-66
Default OLC Behavior Changed in Upgrade	5-67
Options	5-68

Global H.323 Options	5-68
H.323 Interface Options	5-69
H.323 Stack Monitoring	5-71
H.323 Stack Monitoring Configuration	5-72
H.323 Automatic Features	5-73
Alias Mapping	5-73
Call Hold and Transfer	5-73
Call Hold and Transfer Basic Call	5-74
Call Hold and Transfer Music on Hold	5-75
Call Hold and Transfer	5-76
Media Release for SS-FS Calls	5-79
Dependencies	5-80
Hold-and-Resume Procedure	5-81
H.323 and IWF Call Forwarding	5-81
Previous Behavior	5-81
New Behavior	5-82
H.323 Sample Call Flow	5-82
H.323 NOTIFY Support	5-83
Caveats	5-83
H.323 H.239 Support for Video+Content	5-83
Multiple Media Streams with the Same Payload	5-84
Support for Generic Capabilities	5-84
Support for H.239 Generic Messages	5-85
Support for Miscellaneous Indication	5-86
SIP-H.323 interworking with Dynamic Payload Types	5-86
Video Conferencing Support for Polycom Terminals	5-90
ACLI Signaling Mode Configuration Examples	5-91
Configuration Fields and Values for B2BGW Signaling	5-91
Back-to-Back Gatekeeper Proxy and Gateway	5-94
Interworking Gatekeeper-Gateway	5-96
Additional Information	5-98
About Payload Types	5-98
Payload Types for Standard Audio and Visual Encodings	5-99
About RAS Message Treatment	5-100

## 6 Application Gateway Services

---

DNS ALG	6-1
Overview	6-1
Configuring DNS ALG Service	6-2
Before You Configure	6-2

DNS ALG Service Name Configuration	6-3
Identity Realm and Interface Addresses	6-3
DNS Server Attributes	6-4
DNS Transaction Timeout	6-6
DNS Transaction Timeout Configuration	6-6
Dynamic ACL for the HTTP-ALG	6-7
Dynamic Access Control List (ACL) Settings for the HTTP Application Layer Gateway (ALG)	6-8
Enable Dynamic Access Control List (ACL) for the HTTP Application Layer Gateway (ALG)	6-8

## 7 IWF Services

---

IWF Services	7-1
Access Network Application	7-1
Networking Peering Application	7-2
SIP and H.323	7-3
SIP H.323 Negotiation H.323 Fast Start	7-3
SIP to Fast Start H.323	7-3
H.323 Fast Start to SIP	7-4
SIP H.323 Negotiation H.323 Slow Start	7-5
H.323 SIP to Slow Start	7-5
H.323 Slow Start to SIP	7-6
Status and Codec Mapping	7-7
IWF Termination from H.323	7-7
IWF Termination During H.323 RAS	7-8
IWF RAS Registration Failure Code Mapping	7-8
IWF Termination from SIP	7-9
Q.850 Cause to H.323 Release Complete Reason	7-10
Codec Mapping	7-11
IWF Service Enhancements	7-11
SIP Redirect—H.323 LRQ Management	7-12
Redirect—LRQ Management Sample 1	7-12
Redirect—LRQ Management Sample 2	7-13
Redirect—LRQ Management Sample 3	7-13
SIP INFO and DTMF UII Management	7-14
Mid-Session Media Change	7-14
Enhanced Support for FAX Calls	7-15
Removing the T.38 Codec from an H.245 TCS	7-15
Early Media	7-15
Display Name Mapping	7-16
IWF Ringback Support	7-16

Sample 1 In-band Ringback without Progress Message	7-17
Sample 2 In-band Ringback with Progress Message	7-18
Sample 3 In-band Ringback without Alerting Message	7-19
Sample 4 Out-of-band Ringback without Progress Message	7-20
Sample Flow 5 Out-of-band Ringback with Progress Message	7-20
H.323 Endpoint-Originated Call Hold and Transfer	7-21
Basic Call	7-22
Hold	7-23
Music On Hold	7-24
Transfer	7-25
Conference	7-26
IWF Call Forwarding	7-27
New Behavior	7-27
H.323 Sample Call Flow	7-28
Media Release for H.323 SS-FS Calls for IWF	7-29
H.323	7-29
Hold-and-Resume Procedure	7-30
Additional IWF Steps	7-31
Dependencies	7-32
Before You Configure	7-32
H.323 Configuration	7-32
SIP Configuration	7-33
The Role of Local Policy	7-33
Local Policy in an IWF Session Initiated with H.323	7-34
Local Policy in an IWF Session Initiated with SIP	7-34
H.323-SIP Source Call Address Passthrough	7-34
Configure IWF	7-35
Topology Hiding for IWF with an Internal Home-Realm	7-36
IWF Topology Hiding Configuration	7-36
DTMF Support	7-37
DTMF Configuration	7-38
Applying the Media Profile	7-39
RFC 2833 DTMF Interworking	7-40
About RFC 2833	7-41
About H.245 UII	7-41
About RFC 2833 to H.245 UII Interworking	7-41
About DTMF Transfer	7-41
Preferred and Transparent 2833	7-42
Preferred 2883 Support	7-42
Transparent 2833 Support	7-43
Payload Type Handling	7-44



Basic RFC 2833 Negotiation Support	7-45
H.323 to H.323 Negotiation	7-45
Signal and Alpha Type Support	7-45
H.323 to SIP Calls	7-46
SIP Endpoints	7-46
H.323 Non-2833 Interworking with SIP	7-46
How H.323 to SIP Calls Work	7-47
SIP INFO—RFC 2833 Conversion	7-48
IPv6 SIP INFO to RFC 2833 Telephone Event Interworking	7-48
RFC 2833 Interworking Configuration	7-48
RFC 2833 Mode for H.323 Stacks	7-48
RFC 2833 Payload for H.323	7-49
Configuring the SIP Interface	7-50
Configuring Session Agents	7-51
Enabling Payload Type Handling	7-52
DTMF Transparency for IWF	7-53
DTMF Transparency Configuration	7-53
RFC 2833 Packet Sequencing	7-54
RFC 2833 Packet Sequencing Configuration	7-54
Enhanced H.245 to 2833 DTMF Interworking	7-55
Enhancements Configuration	7-56
Setting the Minimum Signal Duration	7-57
SIP Tel URI Support	7-57
SIP Interface Configuration	7-58
Graceful DTMF Conversion Call Processing	7-59
IWF Inband Tone Option	7-61
IWF Inband Tone Configuration	7-61
RFC 3326 Support	7-62
Default Mappings	7-63
RFC 3326 Support Configuration	7-68
IWF Privacy Caller Privacy on Unsecure Networks	7-70
About the Presentation Indicator	7-70
H.323 to SIP IWF Call	7-71
Example 1 SETUP Sent from h323d to Remote H.323 Endpoints	7-71
Example 2 INVITE from h323d to sipd	7-72
SIP to H.323	7-72
Example INVITE from SIP End Point to sipd	7-73
IWF Privacy Caller Privacy on Secure Connections	7-74
H.323 to SIP IWF	7-75
Calls with Presentation Allowed	7-75
H.323 to SIP	7-75

Sample SETUP sent from h323d to Remote H323 Endpoints	7-75
SIP to H.323	7-76
Example 1 INVITE from sip EP to sipd	7-76
Example INVITE from sipd to h323d	7-76
IWF Privacy Extensions for Asserted Identity in Untrusted Networks	7-78
IWF Call Originating in H.323	7-78
Sample H.323 Setup from a Remote Endpoint	7-78
Sample SIP INVITE from the SBC to a SIP Endpoint	7-79
Before You Configure	7-80
P-Preferred-Identity Configuration	7-80
IWF Privacy for Business Trunking	7-81
A Call Originating in H.323	7-81
Sample SETUP Message from an H.323 Endpoint	7-82
Sample INVITE from the Oracle® Enterprise Session Border Controller to the SIP Endpoint	7-83
A Call Originating in SIP	7-83
Sample INVITE from a SIP Endpoint to the Oracle® Enterprise Session Border Controller	7-84
Sample SETUP from the Oracle® Enterprise Session Border Controller to the H.323 Endpoint	7-84
allowCPN Configuration	7-85
Trunk Group Documentation	7-86
IWF COLP COLR Support	7-87
SIP to H.323 Calls	7-87
H.323 to SIP Calls	7-88
IWF COLP COLR Configuration	7-88
Options for Calls that Require the IWF	7-89
Global Configuration for H.323	7-89
Individual Configuration for H.323	7-90
Configuring H.323 SA Options	7-91
H.323 SA Options	7-91
Suppress SIP Reliable Response Support for IWF	7-92
suppress100rel Configuration	7-92
IWF Codec Negotiation H.323 Slow Start to SIP	7-93
IWF Codec Negotiation Configuration	7-93
IWF H.245 Signaling Support for G.726	7-94
H.245 and G.726 Configuration	7-94
Media Profile for H.245 and G.726 Configuration	7-94
Media Profile Configuration for Generic Audio Support	7-95
Flow Control Mapping for Interworking Function (IWF) Video	7-96
Customized G.729 Support	7-98
About Dynamic Payload Mapping	7-99

Customized G.729 Configuration	7-99
SIP-H.323 IWF Support for H.264 and H.263+	7-100
H.264 in H.323 (H.241)	7-100
Capabilities	7-101
H.264 Media Packetization	7-102
H.264 in SIP	7-102
H.264 Packetization Mode	7-102
H.264 IWF Conversions	7-103
IWF Unsupported Parameters	7-104
H.263+ in H.323	7-104
H.263+ in SIP	7-105
H.263+ IWF Conversions	7-105
IWF Unsupported Parameters	7-106
SIP-H.323 IWF in Video Conferencing Applications	7-107
International Peering with IWF and H.323 Calls	7-107
International Peering Configuration	7-107
IWF Codec Renegotiation for Audio Sessions	7-108
Codec Request Change from the SIP Side	7-109
Codec Request Change from the H.323 Side	7-109
Exceptional Cases	7-109
IWF Codec Renegotiation Configuration	7-110

## 8 Session Routing and Load Balancing

---

Session Routing and Load Balancing	8-1
Telephony Fraud Protection	8-1
Telephony Fraud Protection Target Matching Rules	8-3
Telephony Fraud Protection File Activation	8-5
Telephony Fraud Protection Data Types and Formats	8-6
Configure Telephony Fraud Protection	8-7
Refresh the Telephony Fraud Protection File	8-8
Telephony Fraud Protection ACLI Show Commands	8-8
Telephony Fraud Protection verify-config	8-9
Routing Overview	8-10
Session Agents Session Groups and Local Policy	8-10
About Session Agents	8-10
SIP Session Agents	8-11
Session Agent Status Based on SIP Response	8-11
SIP Session Agent Continuous Ping	8-13
SIP SA Continuous Ping Configuration	8-14
H.323 Session Agents	8-15

Overlapping H.323 Session Agent IP Address and Port	8-15
Managing Session Agent Traffic	8-16
Session Agent Groups	8-17
Request URI Construction as Forwarded to SAG-member Session Agent	8-19
SIP Session Agent Group Recursion	8-19
About Local Policy	8-20
Routing Calls by Matching Digits	8-20
SIP and H.323 Interworking	8-21
Route Preference	8-21
DTMF-Style URI Routing	8-22
Add a Local Response Map	8-22
SIP Routing	8-23
Limiting Route Selection Options for SIP	8-23
About Loose Routing	8-24
About the Ingress Realm	8-24
About the Egress Realm	8-24
Ping Message Egress Realm Precedence	8-25
Normal Request Egress Realm Precedence	8-25
Session Agent Egress Realm Configuration	8-25
About SIP Redirect	8-26
Proxy Redirect	8-26
Tunnel Redirect	8-26
SIP Method Matching and To Header Use for Local Policies	8-26
SIP Methods for Local Policies	8-26
Routing Using the TO Header	8-28
H.323 Routing	8-29
Egress Stack Selection	8-29
Static Stack Selection	8-29
Policy-Based Stack Selection	8-29
Registration Caching	8-30
Gatekeeper Provided Routes	8-31
Back-to-Back Gateway	8-31
Back-to-Back Gatekeeper and Gateway	8-31
Interworking Gatekeeper Gateway	8-32
Load Balancing	8-32
Configuring Routing	8-33
Configuration Prerequisite	8-34
Configuration Order	8-34
Routing Configuration	8-34
Configuring Session Agents	8-34
Session Agent Group Configuration	8-45

SAG Matching for LRT and ENUM	8-46
Configuring Local Policy	8-47
Local Policy Matching for Parent Realms	8-52
SIP Session Agent DNS-SRV Load Balancing	8-53
Session Agent DNS-SRV Load Balancing Configuration	8-54
Answer to Seizure Ratio-Based Routing	8-54
ASR Constraints Configuration	8-55
Active Directory-based Call Routing	8-57
LDAP in the Oracle® Enterprise Session Border Controller	8-58
LDAP Messages	8-61
LDAP Failure Events	8-62
Oracle® Enterprise Session Border Controller Limitations using LDAP	8-62
Configuring LDAP	8-63
Configuring ldap-config	8-63
Configure ldap-transactions	8-67
Configuring ldap-cfg-attributes	8-68
Configuring policy-attributes	8-71
LDAP Error Messages	8-72
LDAP Show Commands	8-73
ENUM Lookup	8-74
How ENUM Works	8-74
Translating the Telephone Number	8-74
About NAPTR Records	8-75
About the Oracle® Enterprise Session Border Controller ENUM Functionality	8-75
Configurable Lookup Length	8-75
UDP Datagram Support for DNS NAPTR Responses	8-75
Custom ENUM Service Type Support	8-76
ENUM Failover and Query Distribution	8-76
ENUM Query Distribution	8-76
Failover to New enum-config	8-76
ENUM Server Operation States	8-77
Server Availability Monitoring	8-77
ENUM Server IP Address and Port	8-77
Caching ENUM Responses	8-78
Source URI Information in ENUM Requests	8-78
Operation Modes	8-78
Stateless Proxy Mode	8-79
Transaction Stateful Proxy	8-79
Session Stateful Proxy	8-79
B2BUA	8-80
Example ENUM Stateless Proxy	8-80

ENUM Configuration	8-80
Example	8-83
Configuring the Local Policy Attribute	8-84
Local Policy Example	8-84
CNAM Subtype Support for ENUM Queries	8-85
CNAM Unavailable Response	8-86
SIP Profile Inheritance	8-86
CNAM Subtype Support Configuration	8-86
Direct Inward Dial (DID)-Range-Based Local Routing Table (LRT)	8-87
Create a DID-Range-Based LRT File	8-87
Configuring a DID-Range-Based LRT	8-89
Specifying the LRT Location	8-89
Enabling LRT Usage	8-90
Managing LRT using the Show LRT Command	8-90
LRT Entry Matching	8-91
LRT Entry Matching Configuration	8-92
LRT String Lookup	8-92
LRT String Lookup Configuration	8-93
Directed Egress Realm from LRT ENUM	8-93
Directed Egress Realm Configuration	8-94
SIP Embedded Route Header	8-94
SIP Embedded Route Header Configuration	8-95
LRT Lookup Key Creation	8-95
Arbitrary LRT Lookup Key	8-96
Hidden Headers for HMR and LRT lookup	8-96
Compound Key LRT Lookup	8-96
Retargeting LRT ENUM-based Requests	8-96
Re-targeting LRT ENUM-based Requests Configuration	8-97
Recursive ENUM Queries	8-98
Recursive ENUM Queries Configuration	8-98
Multistage Local Policy Routing	8-99
Routing Stages	8-99
Multi-stage Routing Source Realm	8-99
Network Applications	8-100
Multistage Routing Conceptual Example	8-100
Multistage Routing Example 2	8-101
Customizing Lookup Keys	8-105
Multistage Routing Lookup Termination	8-105
Global Local Policy Termination	8-105
Multistage Local Policy Routing Configuration	8-106
Maintenance and Troubleshooting	8-106

Traps	8-107
Routing-based RN and CIC	8-107
Routing-based RN Configuration	8-108
Codec Policies for SIP	8-108
Relationship to Media Profiles	8-110
Manipulation Modes	8-110
In-Realm Codec Manipulation	8-111
Codec Policy Configuration	8-112
Creating a Codec Policy	8-112
Applying a Codec Policy to a Realm	8-113
Applying a Codec Policy to a Session Agent	8-113
In-Realm Codec Manipulations	8-114
QoS Based Routing	8-114
Management	8-115
QoS Constraints Configuration	8-115
Configuring QoS Constraints	8-115
Applying QoS Constraint to a Realm	8-116
Using the Local Route Table (LRT) for Routing	8-117
Local Route Table (LRT) Performance	8-118
Local Routing Configuration	8-118
Configure Local Routing	8-118
Applying the Local Routing Configuration	8-119
Local Route Table Support for H.323 and IWF	8-120
IWF Considerations	8-120
ENUM LRT Responses	8-120

## 9 Number Translation

---

About Number Translation	9-1
Number Translation Implementation	9-1
Number Translation in SIP URIs	9-2
Session Translation in H.323 Messages	9-2
Number Translation Configuration Overview	9-2
Translation Rules	9-3
Translation Rules for Deleting Strings	9-3
Translation Rules for Adding Strings	9-3
Translation Rules for Replacing Strings	9-4
Session Translation	9-4
Applying Session Translations	9-4
Session Agent	9-5
Realm	9-5

Number Translation Configuration	9-5
Translation Rules	9-6
Session Translation	9-6
Number Translation Application	9-7
Other Translations	9-8
SIP NAT Translations	9-8
FQDN Mapping	9-8

## 10 Admission Control and QoS

---

Admission Control and QoS	10-1
About Call Admission Control	10-1
Bandwidth-Based Admission Control	10-1
Multi-Level Bandwidth Policy Nesting	10-2
Session Capacity- and Rate-based Admission Control	10-3
Constraints for Proxy Mode	10-4
CAC Policing and Marking for non-Audio non-Video Media	10-4
Bandwidth CAC Fallback Based on ICMP Failure	10-5
Bandwidth CAC Fallback Based on ICMP Failure Configuration	10-5
Bandwidth CAC for Aggregate Emergency Sessions	10-6
Bandwidth CAC for Aggregate Emergency Sessions Configuration	10-7
Admission Control for Session Agents	10-7
Session Agents Admission Control Configuration	10-7
Realm Bandwidth Configuration	10-10
SIP Admission Control Configuration	10-11
H.323 Admission Control Configuration	10-12
Aggregate Session Constraints for SIP	10-13
Aggregate Session Constraints Configuration	10-13
Applying Session Constraints in a SIP Interfaces	10-16
Configuring CAC Policing and Marking for non-Audio non-Video Media	10-16
Support for the AS Bandwidth Modifier	10-16
Media Profile Configuration	10-17
AS Modifier and Headroom Configuration	10-18
Offerless Bandwidth CAC for SIP	10-19
Offerless Bandwidth CAC for SIP Configuration	10-19
Shared CAC for SIP Forked Calls	10-20
Bandwidth Sharing Scenarios	10-20
Bandwidth Sharing Configuration	10-21
Configuring a SIP Profile	10-21
Applying a SIP Profile	10-22
RADIUS Accounting Support	10-22



Monitoring	10-23
Conditional Bandwidth CAC for Media Release	10-23
About Conditional Bandwidth CAC for Media Release	10-23
Details and Conditions	10-24
INVITEs UPDATEs Initially Received By Oracle® Enterprise Session Border Controller	10-24
INVITEs UPDATEs Received by Second SBC	10-24
Conditional Admission with Per-user CAC	10-25
Conditional Bandwidth CAC Configuration	10-26
SIP Profile Configuration	10-26
Applying a SIP Profile	10-26
Configuring Require Header Option Tag	10-27
About QoS Reporting	10-28
Overview	10-28
QoS Statistics	10-28
Incremental QoS Updates	10-29
RADIUS Support	10-30
Configuring QoS	10-32
QoS Configuration	10-32
Accounting Configuration for QoS	10-32
QoS Accounting Configuration	10-33
Account Configuration	10-34
Account Server	10-36
White Lists for Managing Incoming SIP Headers and Parameters	10-37
White List Learning	10-38
White List Learning Configuration	10-39
Configure White Lists for SIP Header and URI Parameter Management	10-41
The matched.log File	10-44
Rejected Messages Monitoring	10-44
Configuration Exception	10-44
Verify White List Configuration	10-45

## 11 Static Flows

---

Static Flows	11-1
About Static Flows	11-1
IPv6 / IPv4 Translations	11-2
About Network Address Translation ALG	11-2
NAPT	11-3
TFTP	11-3
Configuring Static Flows	11-4
Basic Static Flow Configuration Overview	11-4

Static Flow Configuration	11-5
Example Configuration: Bidirectional Static Flows	11-8

## 12 High Availability Nodes

---

High Availability Nodes	12-1
Establishing Active and Standby Roles	12-1
Health Score	12-2
State Transitions	12-2
State Transition Sequences	12-3
HA Features	12-3
Multiple Rear Interfaces	12-3
Configuration Checkpointing	12-4
Gateway Link Failure Detection and Polling	12-4
Before Configuring a High Availability (HA) Pair	12-5
HA Node Connections	12-6
Virtual MAC Addresses	12-8
Virtual MAC Address Configuration	12-9
Virtual MAC Addresses for VNFs	12-10
HA Node Connections	12-11
HA Node Connection Configuration	12-11
HA Node Parameters	12-13
High Availability on the Acme Packet 1100	12-17
Configure the Acme Packet 1100 for HA	12-18
Configure the Acme Packet 1100 Management Interface for HA	12-18
Configure the Acme Packet 1100 Network Interface for HA	12-19
Configure the Acme Packet 1100 for system redundancy	12-19
Synchronizing Configurations	12-21
Using Configuration Checkpointing	12-21
HA Configuration Checkpointing	12-21
Manually Checking Configuration Synchronization	12-24
Synchronize HA Peers	12-25
Media Interface Link Detection and Gateway Polling	12-26
Media Interface Link Detection and Gateway Polling Configuration	12-26
Media Interface Link Detection and Gateway Polling Configuration 2	12-27
Signaling Checkpointing	12-28
SIP Signaling Checkpointing	12-28
Signaling Checkpointing Configuration	12-29
Media State Checkpointing	12-30
Media State Checkpointing Configuration	12-30
HA Media Interface Keepalive	12-31

Impact to Boot-Up Behavior	12-31
HA Media Interface Keepalive Configuration	12-32
RTC Notes	12-32
HA	12-32
Protocol-Specific Parameters and RTC	12-33
Switchovers	12-33
Automatic Switchovers	12-33
Manual Switchovers	12-34

## 13 Security

---

Security	13-1
Security Overview	13-1
Denial of Service Protection	13-2
Levels of DoS Protection	13-3
About the Process	13-4
Trusted Path	13-5
Address Resolution Protocol Flow	13-5
Untrusted Path	13-5
IP Fragment Packet Flow	13-6
Fragment Packet Loss Prevention	13-6
Static and Dynamic ACL Entry Limits	13-6
Dynamic Deny for HNT	13-7
Host and Media Path Protection Process	13-7
E-SBC Access Control	13-8
Access Control for Hosts	13-8
Media Access Control	13-8
Host Path Traffic Management	13-8
Traffic Promotion	13-9
Malicious Source Blocking	13-9
Blocking Actions	13-9
Protecting Against Session Agent Overloads	13-9
ARP Flood Protection Enhancements	13-9
Dynamic Demotion for NAT Devices	13-10
DDoS Protection from Devices Behind a NAT	13-10
Configuring DoS Security	13-11
Configuration Overview	13-11
Changing the Default Oracle® Enterprise Session Border Controller Behavior	13-11
Example 1 Limiting Access to a Specific Address Prefix Range	13-12
Example 2 Classifying the Packets as Trusted	13-12
Example 3 Installing Only Static ACLs	13-12

Access Control List Configuration	13-12
Host Access Policing	13-16
Configuring ARP Flood Protection	13-17
Access Control for a Realm	13-17
Configuring Overload Protection for Session Agents	13-20
Media Policing	13-21
Policing Methods	13-22
Session Media Flow Policing	13-22
Static Flow Policing	13-22
Configuration Notes	13-22
Session Media Flow Policing	13-22
Static Flow Policing	13-23
Media Policing Configuration for RTP Flows	13-23
Media Policing Configuration for RTCP Flows	13-24
Media Policing Configuration for Static Flows	13-25
RTP Payload Type Mapping	13-26
ITU-T to IANA Codec Mapping	13-26
SDP Anonymization	13-26
SDP Anonymization Configuration	13-27
Unique SDP Session ID	13-27
Unique SDP Session ID Configuration	13-27
TCP Synchronize Attack Prevention	13-28
About SYN	13-28
Server Vulnerability	13-28
Configuring TCP SYN Attack Prevention	13-29
Transport Layer Security	13-29
The E-SBC and TLS	13-29
Supported Encryption	13-30
Suite B and Cipher List Support	13-30
TLS Ciphers	13-31
Minimum Advertised SSL/TLS Version	13-31
Minimum Advertised SSL/TLS Version Configuration	13-31
Signaling Support	13-32
Endpoint Authentication	13-32
Keeping Pinholes Open at the Endpoint	13-32
Key Usage Control	13-33
Key Usage List	13-33
Extended Key Usage List	13-34
4096-bit RSA Key Support	13-34
Reusing a TLS Connection	13-34
TLS Configuration Process	13-34

Certificate Configuration Process	13-34
Configure a TLS Profile	13-42
Host Certificate Retrieval via SNMP	13-44
Host Certificate Retrieval Configuration	13-44
Denial of Service for TLS	13-45
DoS for TLS Configuration	13-46
Securing Communications Between the E-SBC and SDM with TLS	13-49
TLS Session Caching	13-49
TLS Session Caching Configuration	13-50
TLS Endpoint Certificate Data Caching	13-50
Inserting Customized SIP Headers in an Outgoing INVITE	13-51
Validating the Request-URI Based on Certificate Information	13-53
TLS Endpoint Certificate Data Caching Configuration	13-55
Untrusted Connection Timeout for TCP and TLS	13-56
Caveats	13-56
Untrusted Connection Timeout Configuration for TCP and TLS	13-56
Securing Communications Between the E-SBC and SDM with TLS	13-57
Online Certificate Status Protocol	13-57
Caveats	13-58
Online Certificate Status Protocol Configuration	13-58
Unreachable OCSR	13-60
Unreachable OCSR Configuration	13-61
OCSR Status Monitoring	13-61
OCSR Access via FQDN	13-62
OCSR Access Configuration via IP Address	13-63
OCSR Access Configuration via FQDN	13-63
Direct and Delegated Trust Models	13-64
Direct Trust Model Configuration	13-64
Delegated Trust Model Configuration	13-64
Secure Real-Time Protocol (SRTP) for Software	13-67
Protocol Overview	13-67
Operational Modes	13-69
Single-Ended SRTP Termination	13-69
Back-to-Back SRTP Termination	13-70
SRTP Pass-Thru	13-70
ACL Instructions	13-71
SDS Profile Configuration	13-71
Media Security Policy Configuration	13-73
Assign the Media Security Policy to a Realm	13-74
ACL Example Configurations	13-75
Single-Ended SRTP Termination Configuration	13-75

Back-to-Back SRTP Termination Configuration	13-76
SRTP Pass-Thru Configuration	13-78
Security Policy	13-79
SRTP Re-keying	13-81
SRTP Re-keying Configuration	13-82
Modified ALCI Configuration Elements	13-83
ARIA Cipher Support	13-84
Call Flow	13-84
ARIA Support Configuration	13-85
Secure and Non-Secure Flows in the Same Realm	13-85
Mode Settings in the Media Security Policy	13-86
For Incoming Flows	13-86
For Outgoing Flows	13-86
Using Security Associations for RTP and RTCP	13-90
ACLI Instructions and Examples	13-91
Egress Offer Format for SDES Profile Configuration	13-92
Supporting UAs with Different SRTP Capabilities	13-93
Receiving Offer SDP	13-93
Receiving Answer SDP	13-94
ACLI Instructions and Examples	13-94
Refining Interoperability	13-95
Refining Interoperability Configuration	13-95
Multi-system Selective SRTP Pass-through	13-96
Constraints	13-96
Operational Overview	13-97
Call Flows	13-97
Call Setup	13-98
Music on Hold	13-99
Call Transfer	13-100
Early Media	13-101
Multi-system Selective SRTP Pass-through with Media Release	13-101
Multi-system Selective SRTP Pass-through Configuration	13-101
Statistics	13-103
IDS Reporting	13-103
Basic Endpoint Demotion Behavior	13-103
Endpoint Demotion Reporting	13-103
SNMP Reporting	13-104
HDR Reporting	13-104
Endpoint Demotion SNMP Traps	13-104
Trusted to Untrusted Reporting	13-105
SNMP Reporting	13-105

Endpoint Demotion Trusted-to-Untrusted SNMP Trap	13-105
Endpoint Demotion Syslog Message	13-106
Event Log Notification Demotion from Trusted to Untrusted	13-106
Endpoint Demotion Configuration	13-106
Endpoint Demotion due to CAC overage	13-107
CAC Attributes used for Endpoint Demotion	13-107
Authentication Failures used for Endpoint Demotion	13-107
Endpoint Demotion Configuration on CAC Failures	13-108
IDS Phase 2 (Advanced Reporting)	13-108
Rejected SIP Calls	13-108
Rejected Calls Counter	13-109
Syslog Reporting of Rejected Calls	13-110
TCA Reporting of Denied Entries	13-111
Syslog Reporting of Denied Entries	13-112
CPU Load Limiting	13-112
Denied Endpoints	13-113
Maintenance and Troubleshooting	13-113
show sipd acs	13-113

## 14 Transcoding

---

Software-based transcoding	14-1
Software-based transcoding alarms and traps	14-2
Hardware-based Transcoding Resources	14-2
Basic Hardware Configuration for Transcoding	14-3
Transcoding Capacity	14-3
Transcodable Codec Details	14-3
T.38 FAX Support	14-4
Transcoding Processing Overview	14-4
Unoffered Codec Reordering	14-5
Non-transcoded Call	14-5
Transcoded Call	14-5
Post Processing	14-5
Voice Transcoding	14-6
Voice Scenario 1	14-6
Voice Scenario 2	14-9
Voice Scenario 3	14-11
RFC 2833 Transcoding	14-12
RFC 2833 Scenario 1	14-12
RFC 2833 Scenario 2	14-14
FAX Transcoding	14-16

Defining G711FB	14-17
FAX Scenario 1	14-17
FAX Scenario 2	14-18
FAX Scenario 3	14-19
Transrating	14-21
Transrating Scenario 1	14-21
Reactive Transcoding	14-23
Reactive Transcoding Examples	14-25
Reactive Transcoding Mode Configuration	14-27
Transcoding Configuration	14-28
Codec Policy Configuration	14-28
Terms Used in Codec Policies	14-28
Ingress Policy	14-28
Egress Policy	14-29
Post Processing	14-30
allow-codecs	14-30
order-codecs	14-31
Add on Egress	14-31
Packetization Time	14-32
Name a Codec Policy	14-33
Order Codecs	14-33
Allow, Remove, and Add Codecs for Transcoding	14-33
Configure a Codec Policy	14-34
Configure Transrating	14-35
Apply a Codec Policy to a Realm	14-36
Secure DTMF Cancellation	14-36
Enable Secure DTMF Cancellation	14-37
Default Media Profiles	14-38
Preferred Default Payload Type	14-38
Redefining Codec Packetization Time	14-38
mptime Support for Packet Cable	14-38
Media Profile Configuration	14-39
Media Type Subnames	14-39
SDP Parameter Matching	14-40
Using Subnames with Codec Policies	14-40
Subname Syntax With the Wildcard Character	14-40
Wildcard Character in add-codecs-on-egress Limitation	14-41
Configure Media Type and Subname	14-41
Configure a Codec Policy with a Media Type with a Subname	14-42
Updating the b=AS line for Transcoded Calls	14-43
Codec and Conditional Codec Policies for SIP	14-44



Codecs in Relationship to Media Profiles	14-45
Manipulation Modes in Codec Policies	14-45
In-Realm Codec Manipulation	14-47
Conditional Codec Policies	14-47
Conditional Codec Lists	14-48
Conditional Codec Operators	14-49
Codec Policies Instructions and Examples	14-50
Create a Codec Policy	14-50
Apply a Codec Policy to a Realm	14-51
Apply a Codec Policy to a Session Agent	14-51
In-Realm Codec Manipulations	14-52
Pooled Transcoding	14-52
Supported Codecs for Pooled Transcoding	14-54
Hardware and Software Requirements	14-55
Implementation Details	14-55
Scenario 1 INVITE with SDP	14-56
Scenario 2 INVITE without SDP	14-57
Re-INVITES and Updates with SDP	14-58
RFC 2833 Considerations	14-58
Configuration Requirements and Verification	14-59
A-SBC Configuration Requirements	14-59
T-SBC Requirements	14-59
Configuration Verification	14-60
Configure Pooled Transcoding	14-60
Monitor Dialogs Between the A-SBC and the T-SBC	14-61
Per-Method Statistics	14-61
Notes on the DIAMETER Rx Interface	14-62
Accounting and Transcoding	14-62
EVRC Family of Codecs	14-63
EVRC-A Codec for Transcoding	14-63
EVRC0 Supported Options	14-63
EVRC Supported Options	14-64
EVRC1 Supported Options	14-64
Default settings for EVRC encoding	14-64
EVRC Configuration	14-65
EVRC-B Codec for Transcoding	14-65
EVRCB0 Supported Options	14-65
EVRCB Supported Options	14-65
EVRCB1 Supported Options	14-66
Default fixed settings for EVRCB encoding	14-66
EVRCB Configuration	14-66

Opus Codec Transcoding Support	14-66
SILK Codec Transcoding Support	14-68
Comfort Noise Transcoding	14-70
System Behavior Without Comfort Noise Transcoding	14-72
System Behavior With Comfort Noise Transcoding	14-72
T.140 to Baudot Relay	14-76
AMR-NB and AMR-WB Specifications	14-79
AMR AMR-WB Payload Type Mapping	14-80
AMR AMR-WB octet-align Parameter	14-80
AMR AMR-WB mode-set Parameter	14-81
Other AMR AMR-WB Parameters	14-81
Examples and Explanations	14-81
rtpmap Attribute	14-82
fmt Attribute	14-82
Basic Scenarios	14-83
Advanced Scenarios	14-87
ACLI Configuration	14-92
EVS Codec Transcoding Support	14-93
EVS Configuration Detail	14-98
AMR-WB to EVS AMR-WB IO Transparent Call Example	14-100
Asymmetric Dynamic Payload Types Enablement	14-100
Configure Transcoding for Asymmetric Dynamic Payload Types	14-101
Asymmetric Payload Type Support for RFC2833 Interworking	14-102
Simultaneous Payload Type Mapping for Audio and DTMF	14-104
ACLI Configuration	14-104
DTMF Indication over HD Audio Codecs	14-104
RFC2833 and KPML Interworking	14-105
Interworking RFC 2833 and KPML for Hairpin Sessions	14-108
KPML-2833 Interworking on a SIP Interface Configuration	14-112
KPML-2833 Interworking on a Session Agent Configuration	14-112
FAX Detection	14-113
Supporting FAX to UAs that Do Not Support Multiple SDP M-Lines	14-117
Configure reINVITE and Single M Line Behavior for FAX Calls	14-119
Maintenance and Troubleshooting	14-120
show mbc errors	14-120
show xcode api-stats	14-121
show xcode dbginfo	14-122
Active and Period Statistics for EVRC and other Codecs	14-122
show sipd codecs	14-123
Session Based Statistics	14-123
Flow Based Statistics	14-123

Single audio stream example	14-123
Multiple audio stream example	14-124
Transcoded audio stream example	14-124
show xcode load	14-125
show xcode session-all	14-126
show xcode session-byid	14-126
show xcode session-byattr	14-129
show xcode session-byipp	14-129
show xcode xlist	14-129
Logs	14-130
Alarms	14-130
Transcoding Capacity Traps	14-132
SRTP and Transcoding	14-134
Generating RTCP	14-134
RTCP Generation Platform Support	14-135
Configuring RTCP Generation	14-136
Obtaining System Information about RTCP Generation	14-137
Forced RTCP Receiver Report Generation	14-137
Generate an RTCP Receiver Report	14-138
SNMP	14-139
Acme Packet Codec and Transcoding MIB (ap-codec.mib)	14-139
Acme Packet System Management MIB (ap-smgmt.mib)	14-143
Acme Packet 6300 NIU Hotswap Guidelines	14-144
Network Interface Unit Removal/Replacement -- Standalone Node	14-144
NIU Removal/Replacement -- High Availability Deployment	14-145

## 15 DTMF Transfer and Support

---

DTMF Interworking	15-1
DTMF Indication	15-1
RFC 2833 telephone-event	15-1
SIP INFO Messages	15-2
DTMF Transfer Processing Overview	15-2
Capability Negotiation	15-2
SDP Manipulated by Codec Policy	15-3
telephone-event Modification by Codec Policy	15-3
SDP Manipulated by RFC 2833 Mode	15-4
Transparent RFC 2833 Support	15-4
Preferred RFC 2883 Support	15-5
RFC 2833 Payload Type Mapping	15-6
Translation Evaluation	15-6

RFC 2833 Sent by Offerer	15-7
RFC 2833 to RFC 2833	15-7
RFC 2833 to DTMF Audio Tones	15-8
RFC 2833 to SIP INFO	15-8
DTMF Audio Tones Sent by Offerer	15-9
DTMF Audio to DTMF Audio	15-9
DTMF Audio to RFC 2833	15-9
DTMF Audio to SIP	15-10
SIP INFO Sent By Offerer	15-10
SIP INFO to RFC 2833	15-10
SIP INFO to DTMF Audio	15-11
SIP INFO to SIP INFO	15-11
Dual Mode	15-11
P-Dual-Info Header	15-12
Example 1	15-12
Example 2	15-13
Identical Inband with Signaling DTMF Transfer Exception	15-13
Override Preferred RFC 2833	15-14
Override Preferred DTMF Audio	15-14
DTMF Transfer for Spiral Calls	15-15
P-Dual-Info Header	15-15
DTMF Transfer Hardware Processing	15-16
DTMF Transfer Configuration	15-16
RFC 2833 Session Agent Configuration	15-16
ACLI Configuration and Instructions	15-17
SIP Interface	15-17
Session Agent	15-17
Codec Policy	15-18
Translate Non2833 Event Behavior	15-19
P-dual-info Header Appearance	15-19
RFC 2833 Customization	15-20
RTP Timestamp	15-20
RFC 2833 telephone-event duration intervals	15-20
RFC 2833 End Packets	15-21
ACLI Instructions and Examples	15-22

## 16 Personal Profile Manager

---

Introduction	16-1
The ESBC as an ALG for HTTP and HTTPS	16-1
Configuring the PPM Proxy on the E-SBC	16-3

Configure Private Settings	16-4
Configure Public Settings	16-5
PPM XML Mapping to ACLI Parameters	16-6
Example PPM Proxy Configuration	16-6

## 17 Remote Site Survivability

---

Remote Site Survivability	17-1
How it Works	17-1
Normal Behavior Call Process	17-2
Remote Survivable Call Process Behavior	17-3
Entering Survivable Mode	17-3
Exiting Survivable Mode	17-5
Remote Site Survivability with a BroadSoft Server	17-5
Remote Site Survivability Configuration	17-6
Configure Remote Site Survivability	17-6
Configure the Ping Method for a Session Agent	17-7
Show Survivability Command	17-7
Show Command for Survivability Status	17-9
Show Commands for Survivability	17-10
Show Commands for Request Methods	17-10
Historical Data Recording (HDR) for Survivability	17-16
Group survivability-sip-status	17-17
Group Statistics	17-17
Active Subscriptions	17-17
CallID Maps	17-18
Client Trans	17-18
DNS Results	17-18
DNS Sockets	17-19
DNS Trans	17-19
Dialogs	17-19
Load Rate	17-20
Media Pending	17-20
Media Sessions	17-20
ReINVITEs	17-21
Rejections	17-21
Req Drops	17-21
Resp Contexts	17-21
Saved Contexts	17-22
Server Trans	17-22
Sessions	17-22

Session Rate	17-23
Sockets	17-23
Subscriptions	17-23
Subscriptions High	17-23
SubscriptionsPerMax	17-24
Group survivability-sip-invites	17-24
Group Statistics	17-25
INVITE Requests	17-25
Locally Throttled	17-25
Response Codes	17-26
Response Retrans	17-28
Retransmissions	17-28
Transaction Timeouts	17-28
Group survivability-sip-register	17-29
Group Statistics	17-29
Locally Throttled	17-29
REGISTRATION Requests	17-29
Response Retrans	17-30
Retransmissions	17-30
Transaction Timeouts	17-30
Group survivability-sip-errors	17-31
Group Statistics	17-31
Application Errors	17-31
CAC BW Drop	17-31
CAC Session Drop	17-32
Drop Media Errors	17-32
Early Media Exps	17-33
Expired Sessions	17-33
Exp Media Drops	17-33
Invalid Messages	17-34
Invalid Requests	17-34
Invalid Responses	17-34
Media Exp Events	17-34
Media Failure Drops	17-35
Multiple OK Drops	17-35
Multiple OK Terms	17-35
Non-ACK 2xx Drops	17-36
SDP Answer Errors	17-36
SDP Offer Errors	17-36
SNMP Trap for Survivability	17-37
Survivability Alarms and Logging	17-38

## 18 Web Server TLS Configuration

---

Introduction	18-1
Configuring TLS on the Web Server	18-1
Process Overview	18-1
Certificate Configuration Process	18-2
Configure a Certificate Record	18-2
Generate a Certificate Request	18-3
Import a Certificate Using the ACLI	18-4
Import a Certificate Using SFTP	18-5
PKCS #12 Container Import and Export Capability	18-6
Export to a PKCS #12 File	18-7
Import a PKCS #12 File	18-7
Securing Communications Between the E-SBC and SDM with TLS	18-8
Configuring a TLS Profile	18-9
Management Commands for the Web Server	18-10
Show ip connections Command	18-11
Show users Command	18-12
Kill <index> Command	18-13

## 19 Session Plug-In Language

---

Oracle SPL Plug-ins	19-1
SNMPv1v2 Community Configuration	19-1
Supported SPL Engines	19-2
Load and Enable an SPL Plug-in	19-3
Upload an SPL Plug-in	19-3
Add an SPL Plug-in to the Configuration	19-3
Synchronize SPL Plug-in Files Across an HA Pair	19-4
SBC Deployment Behind a NAT Device	19-4
Configure the Session Border Controller (SBC) Behind a Network Address Translation (NAT) Device Option	19-7
Import and Export the E-SBC Configuration	19-8
Import and Export Restrictions	19-9
Configuration CSV Files	19-9
Create a CSV File	19-10
Enter Configuration Data Using a Text File	19-11
Import a CSV Configuration File	19-12
Export an E-SBC Configuration to a CSV File	19-13
Lync Emergency Call SPL Plug-in	19-13

Set Lync Emergency Call Options on Realms, Session Agents, and SIP Interfaces	19-14
Example Playback-on-Refer Configuration	19-15
Inserting SIP Headers into SIPREC Metadata	19-15
Sample Metadata	19-16
Configure SIP Headers for SIPREC Metadata	19-17
Example Configuration	19-18
Example Configuration	19-18
Universal Call Identifier SPL	19-19
UCID-App-ID	19-19
GUCID-Node-ID	19-19
GUID-Node-ID	19-20
convert-to	19-20
Example SPL Options	19-20
Sample Metadata	19-21
Configuring Universal Call Identifier Options	19-21
Example Configuration	19-22
Comfort Noise Generation SPL	19-22
Configure the Comfort Noise Generation SPL	19-24
Example Configuration	19-25
High Availability (HA) Support	19-25
Licensing Information	19-25
Maintenance and Troubleshooting Commands for SPLs	19-26
show SPL	19-26
SPL Signature State	19-27
show running-config spl-config	19-27
show directory code spl	19-27
show spl-options	19-27
SPL File Deletion	19-28
SPL Log Types	19-28
Emergency Location Identification Number (ELIN) Gateway Support	19-28
How the Emergency Location Identification Number (ELIN) SPL Works	19-29
Configure the ELIN Gateway Option	19-29
Avaya Session Manager (SM) Redundancy	19-30
How Avaya Session Manager (SM) Redundancy Works	19-31
Session Manager Mapping	19-32
Map a Session Manager to a Session Border Controller	19-33
Configure Avaya Session Manager (SM) Redundancy	19-33
Avaya Client Failover	19-34
TCP/FIN Generation Configuration	19-36
Avaya Attended-Transfer-Enable SPL	19-36



## 20 Local Media Playback

---

Supported Local Media Playback Capabilities	20-1
Pre-Requisites	20-2
Media Setup and Playback	20-2
Media Spirals	20-3
Media Files	20-3
Supported Playback Scenarios when using SPL	20-3
Playback on 183 Session Progress	20-4
REFER	20-5
Playback Header	20-6
ACLI Configuration and Examples - SPL Method	20-7
Set up the Playback Configuration	20-7
Set Playback Options on Realms, Session Agents, and SIP Interfaces	20-8
Playback Configuration Example	20-9
RTC Support	20-10
Considerations for HA Nodes	20-10
Alarms	20-10
Monitoring	20-11

## 21 How to use the ACLI

---

The ACLI	21-1
Using the ACLI	21-1
Privilege Levels	21-1
Enabling Superuser Mode	21-1
Debug Mode	21-2
System Access	21-2
Local Console Access	21-2
Remote SSH Access	21-3
ACLI Help and Display	21-3
Exiting the ACLI	21-3
Navigation Tips	21-3
Hotkeys	21-3
Command Abbreviation and Completion	21-4
Command Abbreviation	21-4
Tab Completion	21-5
Configuration Element and System Command Menus	21-5
Context-Sensitive Help	21-5

Context-Sensitive Help for System Commands	21-6
Viewing Output With the More Prompt	21-7
Disabling the More Prompt	21-8
Configuring Using the ACLI	21-8
Line-by-Line Commands	21-9
Working with Configuration Elements	21-9
Creating configurations	21-9
Saving configurations with the done command	21-10
Viewing configurations with the show command	21-10
Navigating the configuration tree with the exit command	21-11
Choosing configurations with the select command	21-11
Deleting configurations with the no command	21-12
Deleting an existing configuration element example	21-12
ACLI Configuration Summaries	21-12
Viewing Summaries	21-13
Data Entry	21-14
ACLI Field Formats	21-14
Boolean Format	21-14
Carrier Format	21-14
Date Format	21-14
Date and Time Format	21-14
Day of Week Format	21-14
Enumerated Format	21-15
Hostname (or FQDN) Format	21-15
IP Address Format	21-16
Name Format	21-16
Number Format	21-16
Text Format	21-16
Time of Day Format	21-16
Preset Values	21-16
Default Values	21-16
Error Messages	21-17
Special Entry Types Quotation Marks and Parentheses	21-17
Multiple Values for the Same Field	21-17
Multi-Word Text Values	21-18
An Additional Note on Using Parentheses	21-19
Option Configuration	21-19
Append Example	21-19
Delete Example	21-19

## 22 Appendix RTC Support

---

RTC Support	22-1
-------------	------

## 23 Maintenance and Troubleshooting

---

Software Watchdog and Monitoring Timer	23-1
Software Watchdog Timing	23-1
Software Watchdog Response Actions	23-2
Show the Thread Health Status	23-2
Configure the Software Watchdog	23-3
Advanced Logging	23-4
Configure Advanced Logging - Command Line	23-5
Configuring Advanced Logging	23-7
Disable Advanced Logging - Command Line	23-8
Disable Advanced Logging - Configure Mode	23-8
Clear Advanced Logging Criteria - Command Line	23-9
View Advanced Logging Status - Command Line	23-9
TCP Connection Tools	23-9
Show Commands Related to VNF Deployments	23-10
show datapath-config	23-10
show platform limits	23-11
SNMP MIBs and Traps Related to VNF Deployments	23-12
apUsbcSysDPDKObjects	23-12
apUsbcSysScalingObjects	23-13
Log Files for the VNF	23-13

## A SIP Compatibility Options

---

Ensuring Telephone Event Negotiation within Delayed Media and Conflicting Configurations	A-1
Accommodating m=line Omissions During Call Setup	A-1
Ensuring Compliant SDP Management for P-Early Media Call Flows	A-2

# About This Guide

The *ACLI Configuration Guide* provides information about configuring, administering, and troubleshooting the Oracle® Enterprise Session Border Controller (E-SBC) from the Acme command line.

## Documentation Set

The following list describes the documents included in this documentation set.

ACLI Configuration Guide	Contains conceptual and procedural information for configuring, administering, and troubleshooting the E-SBC.
ACLI Reference Guide	Contains explanations of how to use the ACLI, as an alphabetical listings and descriptions of all ACLI commands and configuration parameters.
Administrative Security Guide	Contains conceptual and procedural information for supporting the Admin Security, Admin Security with ACP, and JITC feature sets on the E-SBC.
Call Traffic Monitoring Guide	Contains conceptual and procedural information for configuration using the tools and protocols required to manage call traffic on the E-SBC.
FIPS Compliance Guide	Contains conceptual and procedural information about FIPS compliance on the E-SBC.
HMR Guide	Contains conceptual and procedural information for header manipulation. Includes rules, use cases, configuration, import, export, and examples.
Installation and Platform Preparation Guide	Contains conceptual and procedural information for system provisioning, software installations, and upgrades.
Release Notes	Contains information about this release, including platform support, new features, caveats, known issues, and limitations.
SBC Family Security Guide	Contains information about security considerations and best practices from a network and application security perspective for the Oracle Communications Session Delivery Product family of products.
Time Division Multiplexing Guide	Contains the concepts and procedures necessary for installing, configuring, and administering Time Division Multiplexing (TDM) on the Acme Packet 1100 and the Acme Packet 3900.

---

Web GUI User Guide	Contains conceptual and procedural information for using the tools and features of the E-SBC Web GUI.
--------------------	---

---

### Related Documentation

The following list describes related documentation for the Oracle® Enterprise Session Border Controller. You can find the listed documents on [docs.oracle.com/en/industries/communications/](https://docs.oracle.com/en/industries/communications/) in the "Session Border Controller Documentation" and "Acme Packet" sections.

---

Document Name	Document Description
Acme Packet 3900 Hardware Installation Guide	Contains information about the components and installation of the Acme Packet 3900.
Acme Packet 4600 Hardware Installation Guide	Contains information about the components and installation of the Acme Packet 4600.
Acme Packet 6100 Hardware Installation Guide	Contains information about the components and installation of the Acme Packet 6100.
Acme Packet 6300 Hardware Installation Guide	Contains information about the components and installation of the Acme Packet 6300.
Acme Packet 6350 Hardware Installation Guide	Contains information about the components and installation of the Acme Packet 6350.
Release Notes	Contains information about the current documentation set release, including new features and management changes.
ACLI Configuration Guide	Contains information about the administration and software configuration of the Service Provider Oracle® Enterprise Session Border Controller.
ACLI Reference Guide	Contains explanations of how to use the ACLI, as an alphabetical listings and descriptions of all ACLI commands and configuration parameters.
Maintenance and Troubleshooting Guide	Contains information about Oracle® Enterprise Session Border Controller logs, performance announcements, system management, inventory management, upgrades, working with configurations, and managing backups and archives.
MIB Reference Guide	Contains information about Management Information Base (MIBs), Oracle Communication's enterprise MIBs, general trap information, including specific details about standard traps and enterprise traps, Simple Network Management Protocol (SNMP) GET query information (including standard and enterprise SNMP GET query names, object identifier names and numbers, and descriptions), examples of scalar and table objects.
Accounting Guide	Contains information about the Oracle® Enterprise Session Border Controller's accounting support, including details about RADIUS and Diameter accounting.
HDR Resource Guide	Contains information about the Oracle® Enterprise Session Border Controller's Historical Data Recording (HDR) feature. This guide includes HDR configuration and system-wide statistical information.
Administrative Security Essentials	Contains information about the Oracle® Enterprise Session Border Controller's support for its Administrative Security license.

---

Document Name	Document Description
SBC Family Security Guide	Contains information about security considerations and best practices from a network and application security perspective for the Oracle® Enterprise Session Border Controller family of products.
Installation and Platform Preparation Guide	Contains information about upgrading system images and any pre-boot system provisioning.
Call Traffic Monitoring Guide	Contains information about traffic monitoring and packet traces as collected on the system. This guide also includes WebGUI configuration used for the SIP Monitor and Trace application.
HMR Resource Guide	Contains information about configuring and using Header Manipulation Rules to manage service traffic.
TSCF SDK Guide	Contains information about the client-side SDK that facilitates the creation of secure tunnels between a client application and the TSCF of the OCSBC.
REST API Guide	Contains information about the supported REST APIs and how to use the REST API interface.

### Revision History

The following table lists changes to this guide.

Date	Description
December 2018	<ul style="list-style-type: none"> <li>Initial release</li> </ul>
January 2019	<ul style="list-style-type: none"> <li>Updates the "Small Footprint VNF" topic with the correct spec for required RAM.</li> <li>Removes the "RCS Services" chapter. RCS services are not supported on the Enterprise SBC in the S-CZ8.2.0 release.</li> </ul>
February 2019	<ul style="list-style-type: none"> <li>Updates "Transcodable Codec Details" topic in Transcoding chapter to avoid platform confusion.</li> <li>Updates "Supported Codecs for Pooled Transcoding" to include the EVS codec.</li> <li>Updates "RTP TTL" for accuracy.</li> <li>Updates "Incremental QoS Updates" to remove inaccurate platform support information.</li> </ul>
March 2019	<ul style="list-style-type: none"> <li>Removes "Codec Royalty Licensing" section in Transcoding chapter.</li> <li>Updates "SIP PRACK Interworking" section for accuracy.</li> </ul>

Date	Description
May 2019	<ul style="list-style-type: none"> <li>• Clarifies explanation of Diversion and History-info headers</li> <li>• Adds add-sdp-baseBehavior option</li> <li>• Adds fix-missing-m-lines option</li> <li>• Adds strip-restored-sdp option</li> <li>• Clarifies interaction of nat-interval parameter with Adaptive HNT</li> <li>• Adds mode 3 to tcp-keepalive-mode parameter</li> <li>• Updates minimum vSBC signaling core requirement to 2</li> </ul>
June 2019	<ul style="list-style-type: none"> <li>• Adds feature interaction list that invalidates reactive transcoding</li> <li>• Adds note indicating NTP is not supported over wancom0 when configured for a VLAN</li> </ul>
July 2019	<ul style="list-style-type: none"> <li>• Updates RTCP Generation Platform Support section</li> </ul>
October 2019	<ul style="list-style-type: none"> <li>• Updates "Software-based transcoding" to remove information about the dtmf-in-audio parameter.</li> </ul>
November 2019	<ul style="list-style-type: none"> <li>• Adds warning not to reboot when using media interface peercheck</li> </ul>
February 2020	<ul style="list-style-type: none"> <li>• Corrects session-agent max-burst-rate description</li> <li>• Updates the "Avaya Client Failover TCP/FIN" topic.</li> <li>• Updates the "Fraud Protection XML Source File Example" topic.</li> </ul>
July 2020	<ul style="list-style-type: none"> <li>• Adds Silk codec to Transcodable Codec table in the Transcoding chapter</li> <li>• Corrects the maximum number of DSPs supported on Acme Packet 63xx platforms</li> <li>• Removes reference to source routing</li> <li>• Removes entitlement sample</li> </ul>
Nov 2020	<ul style="list-style-type: none"> <li>• Updates importing and exporting PKCS#12 certificates.</li> <li>• Adds "Cluster Member Graceful Shutdown" section to the System Configuration chapter.</li> </ul>
March 2021	<ul style="list-style-type: none"> <li>• Clarifies HIP configuration descriptions</li> <li>• Corrects statement on add-codecs effect on codec offer order</li> <li>• Adds explanation of PT check and reuse of that PT, when applicable</li> <li>• Clarifies the reinvite-trying option's functionality</li> <li>• Clarifies RBT media file specifications</li> </ul>

<b>Date</b>	<b>Description</b>
April 2021	<ul style="list-style-type: none"><li data-bbox="876 262 1383 346">• Adds ACL configuration consideration wherein incorrect syntax can result in unintended behavior</li><li data-bbox="876 346 1383 422">• Corrects LRT syntax for DID range-based LRT</li></ul>



# 1

## Getting Started

Prior to configuring your Oracle® Enterprise Session Border Controller for service, we recommend that you review the information and procedures in this chapter.

This chapter offers information that will help you:

- Review hardware installation procedures
- Connect to your Oracle® Enterprise Session Border Controller using a console connection or SSH (secure shell)
- Become familiar with the Oracle® Enterprise Session Border Controller's boot parameters and how to change them if needed
- Set up product-type, features, and functionality
- Load and activate a Oracle® Enterprise Session Border Controller software image
- Choose a configuration mechanism: ACLI, Oracle Communications Session Element Manager or ACP/XML
- Enable RADIUS authentication
- Customize your login banner

## Installation and Start-Up

After you have completed the hardware installation procedures outlined in the the relevant *Hardware Installation Guide*, you are ready to establish a connection to your Oracle® Enterprise Session Border Controller. Then you can load the software image you want to use and establish basic operating parameters.

## Hardware Installation Process

Installing the Oracle® Enterprise Session Border Controller hardware in a rack requires the following process.

1. Unpack the Oracle® Enterprise Session Border Controller hardware.
2. Install the Oracle® Enterprise Session Border Controller hardware into the rack.
3. Install the power supplies.
4. Install the fan modules.
5. Install the physical interface cards.
6. Cable the Oracle® Enterprise Session Border Controller hardware.

 **Note:**

Complete installation procedures fully and note the safety warnings to prevent physical harm to yourself and damage to the Oracle® Enterprise Session Border Controller hardware.

For more information, see the hardware documentation.

## Connecting to Your Oracle® Enterprise Session Border Controller

You can connect to your Oracle® Enterprise Session Border Controller either through a direct console connection, or by creating a remote SSH session. Both of these access methods provide you with the full range of configuration, monitoring, and management options.

 **Note:**

By default, SSH and SFTP connections to your Oracle® Enterprise Session Border Controller are enabled.

### Create a Console Connection

Using a serial connection, you can connect your laptop or PC directly to the Acme Packet hardware. If you use a laptop, you must take appropriate steps to ensure grounding.

One end of the cable plugs into your terminal, and the other end plugs into the RJ-45 Console port on the NIU (or management ports area on the Acme Packet 6300).

To make a console connection to your hardware:

1. Set the connection parameters for your terminal to the default boot settings:
  - Baud rate: 115,200 bits/second
  - Data bits: 8
  - Parity: No
  - Stop bit: 1
  - Flow control: None
2. Connect a serial cable to between your PC and the hardware's console port.
3. Apply power to the hardware.
4. Enter the appropriate password information when prompted to log into User mode of the ACLI.

You can set the amount of time it takes for your console connection to time out by setting the **console-timeout** parameter in the system configuration. If your connection times out, the login sequence appears again and prompts you for your passwords. The default for this field is 0, which means that no time-out is being enforced.

## SSH Remote Connections

For increased security, you can connect to the Oracle® Enterprise Session Border Controller using SSH.

The Oracle® Enterprise Session Border Controller supports five concurrent SSH and SFTP sessions. Only one SSH session may be in configuration mode at a time.

To SSH to your Oracle® Enterprise Session Border Controller, you need to know the IP address of its administrative interface (wancom0/eth0). The wancom0/eth0 IP address of your Oracle® Enterprise Session Border Controller is found by checking the **inet on ethernet** value in the boot parameters or visible from the front panel display.

You can manage incoming SSH connections from the ACLI:

- SSH service is enabled by default.
- To set a time-out due to inactivity, use the **telnet-timeout** parameter in the system configuration. You can set the number of seconds that elapse before the SSH connection is terminated. The default for this field is 0, which means that no time-out is being enforced.
- To view the users who are currently logged into the system, use the ACLI **show users** command. You can see the ID, timestamp, connection source, and privilege level for active connections.
- From Superuser mode in the ACLI, you can terminate the connections of other users in order to free up connections. Use the **kill user** command with the corresponding connection ID.
- If you reboot your Oracle® Enterprise Session Border Controller from a SSH session, you lose IP access and therefore your connection.

There are two ways to use SSH to connect to the Oracle® Enterprise Session Border Controller. Either connect via SSH without specifying users and SSH user passwords, or initiate the SSH connection using custom SSH credentials.

### Accessing the System Via User and Admin Accounts

You may access the Oracle® Enterprise Session Border Controller via SSH connection without specifying users and SSH user passwords.

1. Open your SSH client (with an open source client, etc.).
2. At the prompt in the SSH client, type the **ssh** command, a Space, the IPv4 address of your Oracle® Enterprise Session Border Controller, and then press Enter.

The SSH client prompts you for a password before connecting to the Oracle® Enterprise Session Border Controller. Enter the Oracle® Enterprise Session Border Controller's User mode password. After it is authenticated, an SSH session is initiated and you can continue with tasks in User mode or enable Superuser mode.

### Accessing the System Using Custom SSH Credentials

You may initiated an SSH connection using custom SSH credentials.

1. In the ACLI at the Superuser prompt, type the **ssh-password** and press Enter.

2. Enter the name of the user you are creating.
3. Enter a password for the user when prompted.

 **Note:**

Passwords do not appear on your screen.

```
ORACLE# ssh-password
SSH username [saved]: MJones
Enter new password: 95X-SD
Enter new password again: 95X-SD
```

Once you have configured `ssh-password`, the SSH login accepts the configured username and password, as well as the default SSH/SFTP usernames, **user** and **admin**.

4. Configure your SSH client to connect to your Oracle® Enterprise Session Border Controller's management IPv4 address using the username you just created. For example:

```
ssh -l MJones 10.0.1.57
```

5. Enter the SSH password you configured in the ACLI.

```
MJones@10.0.2.54 password: 95X-SD
```

6. Enter your User password to work in User mode on the Oracle® Enterprise Session Border Controller. Enable Superuser mode and enter your password to work in Superuser mode.

## Import Private SSH Key to Derive New SSH Host Keys

The Oracle® Enterprise Session Border Controller supports importing externally generated SSH keys to replace the internally generated SSH host keys. Because the E-SBC derives the public key from the private key, only the externally generated private key needs to be imported. The E-SBC uses these keys when it functions as an SSH server. The E-SBC supports RSA or DSA key lengths of 1024, 2048, 3072, or 4096 bits.

1. Connect to the E-SBC as the admin user.

```
ssh admin@10.0.0.1
```

2. Run the **ssh-priv-key import host-key** command.
3. Paste the private key into the console in RFC 4716 format, followed immediately with a semicolon.

```
ORACLE# ssh-priv-key import host-key
Import externally generated SSH host key pair
```

IMPORTANT:

Please paste SSH private key in the format defined in RFC 4716.

```

Terminate the key with ";" to exit.
-----BEGIN RSA PRIVATE KEY-----
MIIEpAIBAAKCAQEAXd3bGH0t1LlaLmA35uveUhgRuoxgt1KSSn4ZrBXKuRam4ILO
++16Qn0kYVmCfxKpYhaQ3LcTOeR+/WRV4uVp5RNPw4QRTSUDMjhODt8yxy22rHrW
.
.
.
tbNEZ7oOKBhLmd09WvU1OqBumZmV+TtI8jdEzn1T0ZJZ45mTETjJmWv00VHh94t4
Lye/a8t/dV4+HvBMfCY2SKnDivLJAWWF1Pz6NhSk6qUaNwReytL9CQ==
-----END RSA PRIVATE KEY-----;

```

```

SSH host key imported successfully.
ORACLE#

```

### Note:

Do not insert a new line character before the terminating semicolon.

The E-SBC only supports one set of SSH host keys. Importing a second host key overwrites the previous pair. Use the **ssh-priv-key delete host-key <key-type>** command to overwrite the current host-key with an internally generated host-key.

## Import a Private SSH Key for the E-SBC as an SFTP Client

As an alternative to relying on the SSH keys generated by the Oracle® Enterprise Session Border Controller, customers may import externally generated SSH keys for any configured **public-key** element. Because the E-SBC derives the public key from the private key, only the private key needs to be imported, and any previously generated keys for this **public-key** element will be overwritten. The E-SBC uses these keys when it functions as an SFTP client.

1. Access the **public-key** configuration element.

```

ORACLE# configure terminal
ORACLE(configure)# security
ORACLE(security)# public-key
ORACLE(public-key)#

```

2. Set the parameters for this configuration element.

- **name**—A record name for this public key.
- **type**—The key type. Supported values are *rsa* and *dsa*.
- **size**—The size of the public key in number of bits. Supported values are 512, 1024, 2048 and 3072.

```

ORACLE(public-key)# name acme
ORACLE(public-key)# type rsa
ORACLE(public-key)# size 1024

```

3. Type **done** when finished and return to the top-level element.

```
ORACLE(public-key)# done
public-key
      name                acme
      type                rsa
      size                1024
      last-modified-by    admin@10.0.0.1
      last-modified-date  2017-11-07 14:04:49

ORACLE(public-key)# exit
ORACLE(security)# exit
ORACLE(configure)# exit
ORACLE#
```

4. Save and activate your configuration

 **Note:**

The **verify-config** command reports an error about a missing public key. You may ignore this error.

5. Run **ssh-priv-key import <record-name>** and paste the private key into the console in RFC 4716 format, followed immediately with a semicolon.

Use the value of the **name** parameter for the value of **<record-name>**.

```
ORACLE# ssh-priv-key import acme

IMPORTANT:
    Please paste SSH private key in the format defined in RFC
    4716.
    Terminate the key with ";" to exit.

-----BEGIN RSA PRIVATE KEY-----
MIIEowIBAAKCAQEAx7DC2/A8zrhhHxcLw6CBLGKaVSWc2jJBnBZNayCd+L5gvJl/
eAYXqMwwByoLlCxIcNIYvRd76DNtnpvaGjcHoXjT00JD12ps6yZz02NJz2IznQtP
.
.
.
m8D2P81c22Tw2GBfmRsJdktvA2GM4e4RhWQcyOtcce4Sw2E8HzxCvSM0hv4SArEo
jWzbxmOdHaGIs22F25kp/0N2D12rg1DZn5QaMoNPY+A0nODw0+I+
-----END RSA PRIVATE KEY-----;

SSH private key imported successfully...
WARNING: Configuration changed, run "save-config" command to save it
and run "activate-config" to activate the changes
ORACLE#
```

**Note:**

Do not insert a new line character before the terminating semicolon.

6. Save and activate the configuration.

## Delete an SSH Key

You can delete private keys from the system individually.

1. Use the **ssh-priv-key delete <record-name>** command to delete a previously created or imported SSH key pair. In the example below, the key's record name is 'acme'.

```
ORACLE# ssh-priv-key delete acme
SSH public key deleted successfully...
WARNING: Configuration changed, run "save-config" command to save it
and run "activate-config" to activate the changes
ORACLE#
```

2. Save and activate your configuration.

**Note:**

If you delete this imported key, the E-SBC will generate its own.

## Configure SSH Ciphers

The **ssh-config** configuration element controls which ciphers the Oracle® Enterprise Session Border Controller offers during SSH session negotiation.

Each command takes an argument which is either a single word or a comma-separated list within double quotes. Type ? to see the available algorithms for this release.

1. Access the **ssh-config** configuration element.

```
ORACLE# configure terminal
ORACLE(configure)# security
ORACLE(security)# ssh-config
```

2. **encr-algorithms**—Select the ciphers for SSH encryption.
3. **hmac-algorithms**—Select the HMAC algorithm.
4. **keyex-algorithms**—Select the Diffie-Hellman key exchange algorithm.
5. **hostkey-algorithms**—Select the algorithm for generating host keys.
6. Type **done**.
7. Save and activate the configuration.

## Verify SSH Ciphers

After configuring which ciphers the Oracle® Enterprise Session Border Controller offers during SSH negotiations, verify the settings from an SSH client by starting a new SSH session with verbosity level 2.

1. SSH to the E-SBC with verbosity level 2.

```
ssh -vv user@10.0.0.1
```

2. Confirm the E-SBC offers the selected ciphers.

```
debug2: kex_parse_kexinit:
debug2: kex_parse_kexinit:
debug2: kex_parse_kexinit: first_kex_follows 0
debug2: kex_parse_kexinit: reserved 0
debug2: kex_parse_kexinit: diffie-hellman-group-exchange-sha256
debug2: kex_parse_kexinit: ssh-rsa
debug2: kex_parse_kexinit: AEAD_AES_256_GCM,aes256-ctr
debug2: kex_parse_kexinit: AEAD_AES_256_GCM,aes256-ctr
debug2: kex_parse_kexinit: hmac-sha2-256
debug2: kex_parse_kexinit: hmac-sha2-256
debug2: kex_parse_kexinit: none
debug2: kex_parse_kexinit: none
debug2: kex_parse_kexinit:
debug2: kex_parse_kexinit:
```

## System Boot

When your Oracle® Enterprise Session Border Controller boots, the following information about the tasks and settings for the system appear in your terminal window.

- System boot parameters
- From what location the software image is being loaded: an external device or internal flash memory
- Requisite tasks that the system is starting
- Log information: established levels and where logs are being sent
- Any errors that might occur during the loading process

After the loading process is complete, the ACLI login prompt appears.

## Boot Parameters

Boot parameters specify the information that your device uses at boot time when it prepares to run applications.

This section explains how to view, edit, and implement device's boot parameters, and boot flags. Boot parameters:

- Allow you to set the IP address for the management interface (wancom0).



- Allow you to set a system prompt. The target name parameter also specifies the title name displayed in your web browser and SNMP device name parameters.
- Specify the software image to boot and from where the system boots that image.

 **Note:**

You must configure all three components of an IPv6 address, including address, mask and gateway, in your system's boot parameters for wancom0 addressing. Configure the mask as a forslash (/) after the address followed by the mask in number of bits. The system requires all three components for IPv6 Neighbor Discovery to work properly.

Boot flags are arguments to a specific boot parameter, and allow functional settings, such as the use of DHCP for acquiring a management port address, as well as various diagnostic startup configurations.

Configuring boot parameters has repercussions on your system's physical and network interface configurations. When you configure these interfaces, you can set values that might override the boot parameters.

The bootparam configuration list is shown below.

```
[Acme Boot]: p
Boot File      : /boot/bzImage
IP Address     : 172.44.12.89
VLAN          :
Netmask       : 255.255.0.0
Gateway       : 172.44.0.1
IPv6 Address   : 3fff:ac4:6001:0:208:25ff:fe05:f470/64
IPv6 Gateway  : 3fff:ac4:6001::ac4:6001
Host IP       :
FTP username   :
FTP password  :
Flags         : 0x00000040
Target Name   : ORACLE
Console Device : COM1
Console Baudrate : 115200
Other        :
```

```
[Acme Boot]: ?
?           - print this list
@           - boot (load and go)
p           - print boot params
c           - change boot params
v           - print boot logo with version
r           - reboot
s           - show license information
```

## Boot Parameter Definitions

The system displays all boot parameters when you configure them after a boot interrupt. The system hides some boot parameters from the ACLI so that you do not attempt to configure them. If changed improperly, these parameters can cause the system to stop responding.

The following table defines each of the parameters that the system displays when you perform configuration after a boot interrupt.

Boot Parameter	Description
Boot File	The name and path of the software image you are booting. Include the absolute path for a local boot from the local /boot volume and for a net boot when a path on the FTP server is needed.
IP Address	IP address of wancom0.
VLAN	VLAN of management network over which this address is accessed. Note: VLANs over management interfaces are not supported on the Acme Packet 4600, Acme Packet 3900, and Acme Packet 6xxx.
Netmask	Netmask portion of the wancom0 IP Address.
Gateway	Network gateway that this wancom0 interface uses.
IPv6 address	Version 6 IP address/mask of wancom0. Configure the mask as a forslash (/) after the address followed by the mask in number of bits.
IPv6 Gateway	Version 6 network gateway that this wancom0 interface uses.
Host IP	IP Address of FTP server from which to download and execute a software image.
FTP Username	FTP server username
FTP password	FTP server password
Flags	Codes that signal the system from where to boot. Also signals the system about which file to use in the booting process. This sequence always starts with 0x (these flags are hexadecimal).
Target Name	Name of the Oracle® Enterprise Session Border Controller as it appears in the system prompt. For example, ORACLE> or ORACLE#. You need to know the target name if you are setting up an HA node. This name must be unique among Oracle® Enterprise Session Border Controllers in your network. This name can be 63 characters or less.
Console Device	Serial output device type, dependent on platform. COM1 applies to virtual serial consoles, VGA to virtual video console. VGA is the default on VMware and KVM. COM1 is the default on OVM .
Console Baud Rate	The speed in bits per second which the console port operates at. It operates at 115200 BPS, 8 data bits, no stop bit, parity NONE.
Other	Allows miscellaneous and deployment-specific boot settings.

## Boot Flags

Boot flags enable system boot behavior(s). The user can set a single flag, or add hex digits to set multiple flags.

- 0x00000008 Bootloader ~7 seconds countdown
- 0x00000040 Autoconfigure wancom0 via DHCP enable - VM platforms only

- 0x00000080 Use TFTP protocol (instead of FTP) enable - VM platforms only
- 0x00000100 Bootloader ~1 seconds quick countdown - VM platforms only

The following boot flags should only be used as directed by Oracle support:

- 0x00000001 acme.ko network module security override
- 0x00000002 Kernel debug enable
- 0x00000004 Crashdump disable
- 0x00000010 Debug sshd enable
- 0x00000020 Debug console enable getty
- 0x00001000 Userspace debug enable
- 0x00100000 Uniprocessor enable (SMP disable)
- 0x20000000 Fail-safe boot enable
- 0x40000000 Process startup disable (flatspin mode)

Never enter any other values without the direction of Oracle support. Some diagnostic flags are not intended for normal system operation.

## Setting Up System Basics

Before configuring and deploying the Oracle® Enterprise Session Border Controller, you might want to establish some basic attributes such as a system prompt, new User and Superuser passwords, and NTP synchronization.

### New System Prompt

The CLI system prompt is set in the boot parameters. To change it, access the boot parameters and change the **target name** value to make it meaningful within your network. The target name may be up to 38 characters. A value that identifies the system in some way is often helpful.

### Set Initial Passwords for Admin and User

The Oracle® Enterprise Session Border Controller (E-SBC) requires you to set passwords for the Admin and User accounts the first time you power up a new or factory reset system by way of local access. You cannot access the Admin and User accounts until you set the corresponding passwords. Use either an SSH or console connection when setting passwords. The following procedure is for local access. If you use remote access, for example, RADIUS or TACACS, use your passwords for those services.

Before you begin, plan your passwords to meet the following requirements:

- 8-64 characters
- Include three of the following:
  - Lower case letters
  - Uppercase letters
  - Numerals

– Punctuation

The system leads you through the process for setting the Admin and User passwords, as follows:

1. Power up the SBC.

The system prompts you to set the User account password.

2. At the prompt, type **acme**, and press ENTER.

The system prompts you to enter the password that you want for the User account.

3. Type the User account password, and press ENTER.

4. Type **enable**, and press ENTER.

The system prompts you to set the Admin account password.

5. Type **packet**, and press ENTER.

The system prompts you to enter the password that you want for the Admin account.

6. Type the Admin account password, and press ENTER.

The system logs you in as Admin.

## Using the Oracle® Enterprise Session Border Controller Image

The Oracle® Enterprise Session Border Controller arrives with the most recent, manufacturing-approved run-time image installed on the flash memory. If you want to use this image, you can install the Oracle® Enterprise Session Border Controller as specified in the *Acme Packet Hardware Installation Guide*, establish a connection to the Oracle® Enterprise Session Border Controller, and begin to configure it. On boot up, the system displays information about certain configurations not being present. You can dismiss these displays and begin configuring the Oracle® Enterprise Session Border Controller.

If you want to use an image other than the one installed on the Oracle® Enterprise Session Border Controller when it arrives, you can use the information in this section to obtain and install the image.

### Obtaining a New Image

You can download a software image onto the Oracle® Enterprise Session Border Controller platform from the following sources.

- Obtain an image from the SFTP site and directory where you or your Oracle customer support representative placed the image. For example, this may be a special server that you use expressly for images and backups.
- Obtain an image from your Oracle customer support representative, who will transfer it to your system.

Regardless of the source, use SFTP to copy the image from the source to the Oracle® Enterprise Session Border Controller.

## Copy an Image to the Oracle® Enterprise Session Border Controller using SFTP

The /boot directory on the Oracle® Enterprise Session Border Controller has 32mb available, and operating system files of approximately 9mb each. Oracle recommends storing no more than two images at a time in this location. One of these should be the latest version. The /boot directory is used for the on-board system flash memory. If you do not put the image in this directory, the Oracle® Enterprise Session Border Controller will not find it.

To copy an image on your Oracle® Enterprise Session Border Controller using SFTP:

1. Go to the directory where the image is located.
2. Check the IP address of the Oracle® Enterprise Session Border Controller's management port (wancom0). (You might think of this as a management address since it is used in the management of your Oracle® Enterprise Session Border Controller.)
3. Create the connection to the Oracle® Enterprise Session Border Controller.

There is a wide variety of methods to establish SFTP access to your system. For example, Linux systems allow SFTP operation from a terminal. For a windows system, there are many GUI applications that provide SFTP.

Using your SFTP application, start an SFTP session to the IPv4 address of the Oracle® Enterprise Session Border Controller management port (wancom0). An SFTP username and SFTP password is required to start the session. The username is always user, and the password is the your User mode login password.

4. Set your SFTP application to copy the image to the **/boot** folder using binary transfer mode.
5. Invoke and confirm your SFTP file transfer to the device.
6. Boot the Oracle® Enterprise Session Border Controller using the image you just transferred.

In the ACLI, change any boot configuration parameters that need to be changed. It is especially important to change the filename boot parameter to the filename you used during the SFTP process. Otherwise, your system will not boot properly.

Alternatively, from the console you can reboot to access the boot prompt and then configure boot parameters from there.

7. In the ACLI, execute the **save-config** command in order to save your changes.
8. Reboot the Oracle® Enterprise Session Border Controller.
9. The Oracle® Enterprise Session Border Controller runs through its loading processes and returns you to the ACLI logon prompt.

## System Image Filename

The system image filename is a name you set for the image. This is also the filename the boot parameters uses when booting your system. This filename must match the filename specified in the boot parameters. When you use it in the boot parameters,

it should always start with /boot to signify that the Oracle® Enterprise Session Border Controller is booting from the /boot directory.

If the filename set in the boot parameters does not point to the image you want sent to the Oracle® Enterprise Session Border Controller via SFTP, then you could not only fail to load the appropriate image, but you could also load an image from a different directory or one that is obsolete for your purposes. This results in a boot loop condition that you can fix by stopping the countdown, entering the appropriate filename, and rebooting the Oracle® Enterprise Session Border Controller.

## Booting an Image on Your Oracle® Enterprise Session Border Controller

You can either boot your Oracle® Enterprise Session Border Controller from the system's local storage or from an external device. Both locations can store images from which the system can boot. This section describes both booting methods.

For boot parameters to go into effect, you must reboot your Oracle® Enterprise Session Border Controller. Since a reboot stops all call processing, Oracle recommends performing tasks that call for a reboot during off-peak hours. If your Oracle® Enterprise Session Border Controllers are set up in an HA node, you can perform these tasks on the standby system first.

### Boot Parameter Definitions

The system displays all boot parameters when you configure them after a boot interrupt. The system hides some boot parameters from the ACLI so that you do not attempt to configure them. If changed improperly, these parameters can cause the system to stop responding.

The following table defines each of the parameters that the system displays when you perform configuration after a boot interrupt.

Boot Parameter	Description
Boot File	The name and path of the software image you are booting. Include the absolute path for a local boot from the local /boot volume and for a net boot when a path on the FTP server is needed.
IP Address	IP address of wancom0.
VLAN	VLAN of management network over which this address is accessed. Note: VLANs over management interfaces are not supported on the Acme Packet 4600, Acme Packet 3900, and Acme Packet 6xxx.
Netmask	Netmask portion of the wancom0 IP Address.
Gateway	Network gateway that this wancom0 interface uses.
IPv6 address	Version 6 IP address/mask of wancom0. Configure the mask as a forslash (/) after the address followed by the mask in number of bits.
IPv6 Gateway	Version 6 network gateway that this wancom0 interface uses.
Host IP	IP Address of FTP server from which to download and execute a software image.

Boot Parameter	Description
FTP Username	FTP server username
FTP password	FTP server password
Flags	Codes that signal the system from where to boot. Also signals the system about which file to use in the booting process. This sequence always starts with 0x (these flags are hexadecimal).
Target Name	Name of the Oracle® Enterprise Session Border Controller as it appears in the system prompt. For example, ORACLE> or ORACLE#. You need to know the target name if you are setting up an HA node. This name must be unique among Oracle® Enterprise Session Border Controllers in your network. This name can be 63 characters or less.
Console Device	Serial output device type, dependent on platform. COM1 applies to virtual serial consoles, VGA to virtual video console. VGA is the default on VMware and KVM. COM1 is the default on OVM .
Console Baud Rate	The speed in bits per second which the console port operates at. It operates at 115200 BPS, 8 data bits, no stop bit, parity NONE.
Other	Allows miscellaneous and deployment-specific boot settings.

## Booting from Flash Memory

Once you have installed an image, you can boot your Oracle® Enterprise Session Border Controller from its flash memory. With the exception of testing an image before you install it on the flash memory, this is generally the method you use for booting.

To boot from your Oracle® Enterprise Session Border Controller flash memory:

1. Confirm that the boot parameters are set up correctly, and make any necessary changes.

You can check the boot configuration parameters by accessing the **bootparam** command from the configure terminal menu.

```
ORACLE# configure terminal
ORACLE# bootparam
```

2. Change any boot configuration parameters that you need to change. It is especially important to change the **file name** boot configuration parameter. The file name parameter needs to use the /boot value so that the Oracle® Enterprise Session Border Controller boots from the flash.
3. Reboot your Oracle® Enterprise Session Border Controller.
4. You are returned to the ACLI login prompt. To continue with system operations, enter the required password information.

## Setting Up Product-Type, Features, and Functionality

You enable features and functionality primarily through the [Setup Entitlements](#) task, where you self-provision features and certain session capacities. The Oracle® Enterprise Session Border Controller is seeded with a default feature set when you first follow the [Setup Product](#) task, and is based on software version, the platform on which the software runs, and the product type that you choose.



**Note:**

Refer to the *Self-Provisioned Entitlements and License Keys* section in the *Release Notes* for a list of the methods used to enable features in this release.

### Initial Setup

Prior to system configuration, you must set up the product, self-provision entitlements, and optionally install license keys to activate features as required. If you log onto an unconfigured Oracle® Enterprise Session Border Controller, the system displays a warning message that a valid product type is required.

## Entitlement Provisioning

For license provisioning, Oracle groups components of the Oracle® Enterprise Session Border Controller into the Basic License and the Advanced License.

The Basic License includes the following:

- Application Communication Protocol (ACP )
- H.323
- High Availability (HA)
- Intrusion Detection System (IDS) advanced
- Intrusion Detection System (IDS) reporting
- National Security Emergency Preparedness NSEP/RPH (GETS)
- SIP Session Recording (SIPREC)
- Session Initiation Protocol (SIP)
- Software Secure Real-time Transport Protocol (SRTP)
- Software Transport Layer Security (TLS)

The Advanced License includes the following:

- Accounting
- ENUM Lookup
- IWF
- Load Balancing
- QoS
- Routing

## System Setup

Before you begin configuring the Oracle® Enterprise Session Border Controller, you will set the product type with the **setup product** command, and the features with the **setup entitlements** command.



 **Note:**

Not all of the features are available on all platforms.

## Setup Product

1. Type **setup product** at the ACLI. If this is the first time running the command on this hardware, the product will show as Uninitialized.
2. Type **1 <Enter>** to modify the uninitialized product.
3. Type the number followed by **<Enter>** for the product type you wish to initialize.
4. Type **s <Enter>** to commit your choice as the product type of this platform.
5. Reboot your Oracle® Enterprise Session Border Controller.

```
ORACLE# setup product
```

```
-----  
WARNING:
```

```
Alteration of product alone or in conjunction with entitlement  
changes will not be complete until system reboot
```

```
Last Modified
```

```
-----  
1 : Product          : Uninitialized
```

```
Enter 1 to modify, d' to display, 's' to save, 'q' to exit. [s]: 1
```

```
Product
```

- 1 - Session Border Controller
- 2 - Session Router - Session Stateful
- 3 - Session Router - Transaction Stateful
- 4 - Subscriber-Aware Load Balancer
- 5 - Enterprise Session Border Controller
- 6 - Peering Session Border Controller

```
Enter choice      : 1
```

```
Enter 1 to modify, d' to display, 's' to save, 'q' to exit. [s]: s  
save SUCCESS
```

 **Note:**

When configuring an HA pair, you must provision the same product type and features on each system.

## Setup Entitlements

1. Type **setup entitlements** at the ACLI. Currently provisioned features are printed on the screen.

2. Type the number of the feature you wish to setup followed by pressing the **<Enter>** Key. Some features are set as enabled/disabled (provisionable features), and some features are provisioned with a maximum capacity value (provisionable capacity features). The command will let you provision these values as appropriate.
3. Type **enabled** or **disabled** to set a provisionable feature, or type an integer value for a provisionable capacity feature. Both input types are followed by pressing the **<Enter>** key.
4. Repeat steps 2 and 3 to setup additional entitlements.
5. Type **d** followed by the **<Enter>** key to review the full range of your choices. Note that disabled entitlements display their state as blank.
6. Type **s** followed by the **<Enter>** key to commit your choice as an entitlement for your system. After saving the value succeeds you will be returned to the ACLI.
7. Reboot your Oracle® Enterprise Session Border Controller.

## Editing and Viewing Features

If you are not changing the product type, and you are changing only the features, you can edit the existing feature with the **setup entitlements** command. Executing this command will display existing features before giving you the option to modify their settings.

The **show entitlements** command displays the currently provisioned features and controlled features. You may also use the **setup entitlements** command and type **d** to display the current features. Upon first executing the **setup entitlements** command, all features (excluding controlled features) are displayed on the screen.

## License Keys and Self-Provisioned Entitlements Compatibility

The Oracle® Enterprise Session Border Controller continues to support any license keys originally purchased and installed pre-self-provisioned-entitlements for enabling system features.

The licensing and entitlements processes work with each other, as follows.

- You must use self-provisioning to enable features and session capacity on all platforms.
- Oracle only provides license keys to enable specific features and capacities not available for self-provisioning, such as codecs and regulatory features .
- Upon migrating to self-provisioned entitlements, the system seeds the current range of your installed license keys to the self-provisioned entitlements. The system's functionality remains identical.
- When you upgrade to self-provisioned entitlements and then downgrade the software to an older version that requires license keys, any pre-existing license keys will still function.
- When you upgrade to self-provisioned entitlements and then change the functionality (such as, adding more SIP sessions or removing a feature set), the new functionality will not be present upon downgrade to an older version that requires license keys.

## System Setup with Existing License Keys

When changing the Oracle® Enterprise Session Border Controller licensing technique from the legacy license key method to the self-provisioned method, be aware of the following:

- After running **setup product** and **setup entitlements**, the system will be seeded with the existing license keys' functionalities.
- When the system is seeded with its previous functionality to the provisioned entitlements system, functionality may be changed with the **setup entitlements** command.
- You may notice that there are fewer entitlements than there were with license keys. This is normal.
- After setting up self-provisioned features, the **show features** command will still function to display the previously installed license keys.

## Adding and Deleting License Keys

Certain features may only be enabled with license keys, like royalty-based codecs. The following guidelines apply to these license keys:

- Each license key is bound to a specific Oracle® Enterprise Session Border Controller by serial number.
- Oracle does not allow transferring a license key from one Oracle® Enterprise Session Border Controller to another.
- Multiple license keys can be active on the same Oracle® Enterprise Session Border Controller simultaneously.
- If a feature is covered by more than one license key, the latest expiration date applies.
- You can activate and deactivate license keys in real time.

You can request license keys via the License Codes website at <http://www.oracle.com/us/support/licensecodes/acme-packet/index.html>

### Note:

For a list of features enabled with license keys in your software, see the Feature Entitlements section in your version of the Release Notes.

## License Key Expiration

When a license expires, you are no longer able to use the features associated with it. The Oracle® Enterprise Session Border Controller automatically disables all associated functionality.

To avoid a license unexpectedly expiring and therefore potentially disrupting service, you should track expiration dates and renew licenses well in advance of expiration.

Expired licenses appear in the **show features** command until you delete them, although you cannot use those features. Deleting an expired license requires that you take the same steps as you do for deleting a valid one.

## Add a License Key

Once you have obtained a license key, you can add it to your Oracle® Enterprise Session Border Controller and activate it.

1. Access the **license** configuration element.

```
ORACLE# configure terminal
ORACLE(configure)# system
ORACLE(system)# license
ORACLE(license)#
```

2. Using the **add** command and the license key you received from Oracle, add the license to your Oracle® Enterprise Session Border Controller.

```
ORACLE(license)# add sl25o39pvtqhas4v2r2jcloaen9e01o21b1dmh3
```

 **Note:**

Do not type **done** after you add the license. If you do, the system will return an error.

3. You can check that the license has been added by using the ACLI **show** command within the license configuration.

```
ORACLE(license)# show
License #1: 16000 sessions, SIP, LI,
           Transcode Codec AMR (25 AMR transcoding sessions),
           Transcode Codec EVRC (25 EVRC transcoding sessions),
           Transcode Codec Opus (25 OPUS transcoding sessions),
           Transcode Codec SILK (25 SILK transcoding sessions)
           expires at 06:28:15 Feb 07 2106
           installed at 17:03:53 May 04 2017
ORACLE(license)#
```

 **Note:**

Do not type **done** before exiting the **license** configuration element.

4. Type **exit** until you return to the top-level superuser prompt.

```
ORACLE(license)# exit
ORACLE(system)# exit
ORACLE(configure)# exit
ORACLE#
```

5. Perform a save- and activate- on the configuration.

```
ORACLE# save-config
checking configuration
```

```
-----  
-----  
Results of config verification:  
    0 configuration error  
-----  
-----  
Save-Config received, processing.  
waiting for request to finish  
Request to 'SAVE-CONFIG' has Finished,  
Save complete  
Currently active and saved configurations do not match!  
To sync & activate, run 'activate-config' or 'reboot activate'.  
ORACLE# activate-config  
Activate-Config received, processing.  
waiting for request to finish  
Setting phy on Slot=0, Port=0, MAC=00:08:25:22:81:B0,  
VMAC=00:08:25:22:81:B0  
Setting phy on Slot=0, Port=1, MAC=00:08:25:22:81:B1,  
VMAC=00:08:25:22:81:B1  
Request to 'ACTIVATE-CONFIG' has Finished,  
Activate Complete
```

## Delete a License Key

You can delete a license from your Oracle® Enterprise Session Border Controller, including licenses that have not expired. If you want to delete a license that has not expired, you need to confirm the deletion.

To delete a license from the Oracle® Enterprise Session Border Controller:

1. Access the **license** configuration element.

```
ORACLE# configure terminal  
ORACLE(configure)# system  
ORACLE(system)# license  
ORACLE(license)#
```

2. Type **no** and press Enter. A list of possible licenses to delete appears.

```
ORACLE(license)# no  
feature:  
1: 16000 sessions, SIP, Transcode Codec AMR (25 AMR transcoding  
sessions),  
    Transcode Codec EVRC (25 EVRC transcoding sessions),  
    Transcode Codec Opus (25 OPUS transcoding sessions),  
    Transcode Codec SILK (25 SILK transcoding sessions)  
expires at 06:28:15 Feb 07 2106  
  
selection:  
ORACLE(license)#
```

3. Type the number corresponding to the license you want to delete and press Enter.

```
selection:1
```

- If the license has not expired, you will be asked to confirm the deletion.

```
Delete unexpired license [y/n]?: y
ORACLE(license)#
```

 **Note:**

Do not type **done** before leaving the **license** configuration element.

- Type **exit** until you return to the top-level superuser prompt.

```
ORACLE(license)# exit
ORACLE(system)# exit
ORACLE(configure)# exit
ORACLE#
```

- Perform a **save-** and **activate-** on the configuration.

```
ORACLE# save-config
checking configuration
-----
Results of config verification:
  0 configuration error
-----
Save-Config received, processing.
waiting for request to finish
Request to 'SAVE-CONFIG' has Finished,
Save complete
Currently active and saved configurations do not match!
To sync & activate, run 'activate-config' or 'reboot activate'.
ORACLE# activate-config
Activate-Config received, processing.
waiting for request to finish
Setting phy on Slot=0, Port=0, MAC=00:08:25:22:81:B0,
VMAC=00:08:25:22:81:B0
Setting phy on Slot=0, Port=1, MAC=00:08:25:22:81:B1,
VMAC=00:08:25:22:81:B1
Request to 'ACTIVATE-CONFIG' has Finished,
Activate Complete
```

## View Installed Features, Entitlements, and Licenses

Use the **show entitlements** command to display all self-provisioned entitlements and features enabled with license keys.

```
ORACLE# show entitlements
Provisioned Entitlements:
-----
Session Border Controller Base    : enabled
Session Capacity                  : 16000
```

```
Accounting                : enabled
IPv4 - IPv6 Interworking  :
IWF (SIP-H323)           :
Load Balancing            : enabled
Policy Server             : enabled
Quality of Service        : enabled
Routing                   : enabled
SIPREC Session Recording :
Admin Security            :
IMS-AKA Endpoints         : 0
IPSec Trunking Sessions  : 0
MSRP B2BUA Sessions       : 0
SRTP Sessions             : 0
TSCF Tunnels              : 0
```

#### Keyed (Licensed) Entitlements

```
-----
LI
Transcode Codec AMR (25 AMR transcoding sessions)
Transcode Codec EVRC (25 EVRC transcoding sessions)
Transcode Codec Opus (25 OPUS transcoding sessions)
Transcode Codec SILK (25 SILK transcoding sessions)
```

Use the **show features** to display currently active features on the system. This command shows the union of features enabled with license keys and with the self-provisioning method.

```
ORACLE# show features
Total session capacity: 16000
Enabled features:
16000 sessions, SIP, H323, QOS, ACP, Routing, Load Balancing,
Accounting, High Availability, LI, External BW Mgmt,
External CLF Mgmt, External Policy Services, ENUM, NSEP RPH,
Transcode Codec AMR (25 AMR transcoding sessions),
Transcode Codec EVRC (25 EVRC transcoding sessions), IDS,
IDS Advanced,
Transcode Codec Opus (25 OPUS transcoding sessions),
Transcode Codec SILK (25 SILK transcoding sessions)
```

Use the **licenses' show** command to see all features enabled by license keys.

```
ORACLE(license)# show
License #1: 16000 sessions, SIP, LI,
Transcode Codec AMR (25 AMR transcoding sessions),
Transcode Codec EVRC (25 EVRC transcoding sessions),
Transcode Codec Opus (25 OPUS transcoding sessions),
Transcode Codec SILK (25 SILK transcoding sessions)
expires at 06:28:15 Feb 07 2020
installed at 17:08:15 May 08 2030
```

 **Note:**

Examples in this section are provided for illustration and may not reflect all available features on your system.

## Setup Features on an HA Pair

An HA pair requires that you set up identical features on both systems during the same service window. Peers with mismatched features may exhibit unexpected behavior. You should carefully confirm system synchronization at every step.

This procedure uses the designations system-1 as the original active and system-2 as the original standby.

1. Confirm that system-1 and system-2 are healthy and synchronized. First check system health with the **show health** command on both systems to confirm they are in identical states and healthy.
  - Verify that both systems are in identical health with all processes synchronized with the **show health** command.

 **Note:**

The following examples may not accurately portray your Oracle Communications product and version combination.

```
ORACLE-1# show health
```

```
Media Synchronized           true
SIP Synchronized             true
REC Synchronized             disabled
MGCP Synchronized            disabled
H248 Synchronized            disabled
XSERV Synchronized           disabled
Config Synchronized          true
Collect Synchronized         disabled
RADIUS CDR Synchronized       true
Rotated CDRs Synchronized     true
IPSEC Synchronized           true
Iked Synchronized            disabled
TSCF Synchronized            disabled
Active Peer Address
```

```
Redundancy Protocol Process (v3):
```

```
State                          Active
Health                          100
Lowest Local Address
169.254.1.2:9090
1 peer(s) on 2 socket(s):
```



```
system-2: v3, Standby, health=100, max
silence=1050
last received from 169.254.1.1 on wancom1:0
```

```
ORACLE-2# show health
Media Synchronized           true
SIP Synchronized             true
REC Synchronized             disabled
MGCP Synchronized            disabled
H248 Synchronized            disabled
XSERV Synchronized           disabled
Config Synchronized          true
Collect Synchronized         disabled
RADIUS CDR Synchronized      true
Rotated CDRs Synchronized    true
IPSEC Synchronized           true
Iked Synchronized            disabled
TSCF Synchronized            disabled
Active Peer Address          169.254.2.2
```

```
Redundancy Protocol Process (v3):
```

```
State                          Standby
Health                          100
Lowest Local Address
169.254.1.1:9090
1 peer(s) on 2 socket(s):
system-1: v3, Active, health=100, max silence=1050
last received from 169.254.2.2 on wancom2:0
```

Next, confirm that both the saved and running configurations across both systems are at the same version number. The following example verifies that system-1 and system-2 all share version 5 of their current and running configurations. If the configurations are out of sync, use the **save-config** and **activate-config** commands to fix this.

- Verify that the current configurations are in sync on both system-1 and system-2 with the **display-current-cfg-version** command.

```
ORACLE-1# display-current-cfg-version
Current configuration version is 5
```

```
ORACLE-2# display-current-cfg-version
Current configuration version is 5
```

- Verify that the running configurations are in sync on both system-1 and system-2 with the **display-running-cfg-version** command.

```
ORACLE-1# display-running-cfg-version
Running configuration version is 5
```

```
ORACLE-2# display-running-cfg-version
Running configuration version is 5
```

2. Self-provision features on system-1 with the **setup entitlements** command. This procedure is explained in the [Setup Entitlements](#) task, but DO NOT reboot the system at this point.
3. Save and activate the configuration on system-1.

```
ORACLE-1# save-config
checking configuration
Save-Config received, processing.
waiting for request to finish
Request to 'SAVE-CONFIG' has Finished,
Save complete
Currently active and saved configurations do not match!
To sync & activate, run 'activate-config' or 'reboot activate'.
ORACLE-1# activate-config
Activate-Config received, processing.
waiting for request to finish
Request to 'ACTIVATE-CONFIG' has Finished,
Activate Complete
```

4. Install License-key enabled features on system-1 with the **licenses** configuration element. This procedure is explained in the [Add a license](#) task, but DO NOT reboot the system at this point. Perform a save- and activate- as performed in the previous step.
5. Repeat steps 2 through 4 on system-2.  
At the end of this step, identical features are installed, synchronized, and verified both system-1 and system-2.
6. Confirm once again that system-1 and system-2 are synchronized exactly as you did in step 1.
7. Reboot the standby system-2.

```
ORACLE-2# reboot
```

8. Wait for system-2 to startup and synchronize, then confirm that system-1 and system-2 are fully synchronized as explained in step 1.
9. Trigger a switchover from system-1 so that the standby system transitions to active, and vice-versa.

```
ORACLE-1# notify berpd force
```

10. Wait while system-2 transitions to the active state, then confirm that system-1 and system-2 are fully synchronized as explained in step 1.
11. Reboot the newly-standby system-1.

```
ORACLE-1# reboot
```

12. Wait for system-1 to complete booting, then confirm that system-1 and system-2 are fully synchronized as explained in step 1.  
At this point both systems should be healthy, synchronized, and contain identical feature configurations.

13. If desired, trigger a switchover between the two systems in the HA node so the originally active system (system-1) assumes the active role again.

## Installation Wizard

The Oracle® Enterprise Session Border Controller E-SBC) Wizard provides a wizard for initial system setup. The wizard installs the following elements.

- Management IP address and Gateway IP address
- Web GUI
- High Availability settings
- E-SBC access setting

## About the Installation Wizard

The Installation Wizard allows you to simply and easily install basic system elements, including the Web GUI, by answering a series of questions that elicit basic configuration responses. All questions provide an intelligent default value that can be accepted by the user to enable reliable and consistent system connectivity.

After completing the Installation Wizard, you can perform detailed, Oracle® Enterprise Session Border Controller configuration using the Web GUI.

The Web GUI provides a configuration tab that allows you to configure the Oracle® Enterprise Session Border Controller. This tab provides two methods by which you can configure:

- **Basic Mode** - Drag and drop elements onto a workspace to configure the Oracle® Enterprise Session Border Controller (recommended for most users)
- **Expert Mode** - Configure the Oracle® Enterprise Session Border Controller using a parameter configuration tree. (recommended for complex configurations which are unique).

During the Installation Wizard setup, the Basic Mode is installed automatically. However, you can choose to enable or disable the Expert Mode if required. If you disable the Expert Mode, only Basic Mode is accessible in the Web GUI. If you enable Expert Mode, and you make changes to the configuration, you can switch between Expert Mode and Basic Mode but you must save and activate the configuration before you can switch modes.

After the Installation Wizard is complete, if you decide you want to enable Expert Mode, you must re-run the Installation Wizard from the CLI and select Expert Mode during the installation.

### Note:

If required, you can also setup High Availability (HA) using this Installation Wizard. To setup HA, see [Setting Up High Availability \(HA\) Mode](#). You can setup the Web Server/Web GUI manually, if required, using the procedures provided in Appendix D Manual Web Server Configuration.

## Run Setup

Use the following procedure to run the Installation Wizard to configure the Web Server and setup the Web GUI.

To run the Installation Wizard:

1. In Superuser mode, type **run setup**, and press Enter.

```
ORACLE# run setup
```

### Note:

The Installation Wizard can also be invoked by the `run setup quiet` command that enables a less verbose presentation.

The following displays.

```
=====
-----
Thank you for purchasing the Oracle SBC. The following
short wizard will guide you through the initial set-up.
-----
'? ' = Help; '.' = Clear; 'q' = Exit

CONFIGURATION

WARNING: Proceeding with wizard will result in existing
configuration being erased.
  Erase config and proceed (yes/no) [no]           :
=====
```

You can use:

- '?' key to obtain query-specific help
- '.' key to clear the field of the current setting.
- 'q' key to exit the wizard at any location in the setup process. Initiating the **q** displays the following prompt:

```
Discarding changes and quitting wizard. Are you sure? [y/n]?:
```

Enter **y** to discard any changes and quit the installation wizard. The root prompt displays.

A "Warning" displays stating that using the wizard can overwrite (erase) the existing running configuration. If you want to back out of the setup process and not overwrite the current running configuration, you can enter **q** or enter **No** at the Erase config and proceed prompt. The root prompt displays.

2. Enter **yes** at the prompt to continue the setup process, and press Enter.

```
Erase config and proceed (yes/no) [no]      :yes
```

The following displays.

```
=====
Configuration will be backed up as
bkup_setup_wizard_<MMM>_<DD>_<YY>_<HH>_<MM>_<SSS>.gz
'-' = Previous; '?' = Help; '.' = Clear; 'q' = Exit
GUI ACCESS
If you want to allow GUI to access this SBC, enable this setting
Enable Web GUI (yes/no) [yes]      :
=====
```

You can use:

'-' key to navigate to the previous step in the setup process, if required, and change your response.

3. Enter **yes**, and press Enter. Or enter **no** to disable the Web GUI, and press Enter.

```
Enable Web GUI with HTTP connection. (yes/no) [yes]      :yes
```

The following displays.

```
=====
WEB GUI MODE
Choose which mode to enable for the web GUI
Web GUI Mode
  1 - basic
  2 - expert
Enter choice [1 - basic]      :
=====
```

## Enable Basic Mode and or Expert Mode

1. Enter **1** to enable Basic Mode and Expert Mode or **2** to enable Expert Mode only. Press Enter.

```
Enter choice [1 - basic]      :1
```

### Note:

If you enable both Basic and Expert Modes (selection 1), after logging into the Web GUI, the Basic Mode screen displays by default. You can switch to Expert Mode if you do not make any changes in Basic Mode, using the Switch to Expert button. If you enable Expert Mode only (selection 2), no button displays to switch to Basic Mode.

The following displays.

```
=====
HIGH AVAILABILITY
This SBC may be a standalone or part of a highly available
redundant pair.
  SBC mode
    1 - standalone
    2 - high availability
  Enter choice [1 - standalone]      :
=====
```

2. Enter **1** for a standalone server or enter **2** to configure an HA device. Press Enter and go to Step 4 in [Setting Up High Availability \(HA\) Mode](#) to complete the installation.

 **Note:**

It is highly recommended that you configure high availability (HA) using this Installation Wizard.

```
Enter choice [1 - standalone]      :1
```

The following displays.

```
=====
SBC SETTINGS
Unique target name of this SBC [<SBC name>]      :
=====
```

3. Enter **a unique target name for the NN-ESD (or keep the default in [ ])**, and press Enter.

```
Unique target name of this SBC [<SBC name>]      :
```

The following displays.

```
=====
IP address on management interface [<SBC IP address>] :
=====
```

4. Enter **the IP address to be used for accessing the Web GUI (or keep the default in [ ])**, and press Enter.

```
IP address on management interface [<SBC IP Address>]      :
164.30.85.51
```

The following displays.

```
=====
Subnet mask [<subnet mask>] :
=====
```

5. Enter the subnet mask of the Oracle® Enterprise Session Border Controller (or keep the default in [ ]), and press Enter.

```
Subnet mask [<subnet mask>]      : 255.255.0.0
```

The following displays.

```
=====
Gateway IP address [<Gateway IP address>] :
=====
```

6. Enter the gateway IP address (or keep the default in [ ]), and press Enter.

```
Gateway IP address [<Gateway IP address>]      :164.30.0.1
```

The following displays.

```
=====
-- Summary view -----
GUI ACCESS
  1: Enable Web GUI (yes/no)           : yes
WEB GUI MODE
  2 : Web GUI Mode                     : basic
HIGH AVAILABILITY
  3 : SBC mode                         : standalone
  4 : SBC role                         : N/A
SBC SETTINGS
  7 : Unique target name of this SBC   : lise_primary
  8 : IP address on management interface : 164.30.85.51
  9 : Subnet mask                      : 255.255.0.0
 10: Gateway IP address                : 164.30.0.1
AUTOMATIC CONFIGURATION
 11: Acquire config from the Primary (yes/no) : N/A
PEER CONFIGURATION
 13: Peer target name                  : N/A
Enter 1 - 16 to modify, 'd' to display summary, 's' to save, 'q' to
exit. [s]:
=====
```

 **Note:**

Only the fields that were configured display in the summary view.

7. Enter **s** to save the configuration. Or select an item number from the summary view to modify the value for that item. Or enter **q** to exit the installation wizard without saving the setup.

```
Enter 1 - 16 to modify, 'd' to display summary, 's' to save, 'q' to
exit. [s]      :s
```

The following displays.

```
=====
Saving changes and quitting wizard. Are you sure? [y/n]?      :
=====
```

8. Enter **y** to verify you want to save the configuration and press Enter.

```
Saving changes and quitting wizard. Are you sure? [y/n]?      :y
```

The following displays.

```
=====
Running configuration is backed up as
'bkup_setup_wizard_Apr_18_13_04_57_970.gz'
*****
Deleting configuration
Erase-Cache received, processing.
waiting 1200 for request to finish
Request to 'ERASE-CACHE' has Finished,
Erase-Cache: Completed
Request to 'RESTORE-CONFIG' has Finished,
Restore Backup Completed Successfully
checking configuration
Save-Config received, processing.
waiting for request to finish
Request to 'SAVE-CONFIG' has Finished,
Save complete
Currently active and saved configurations do not match!
To sync & activate, run 'activate-config' or 'reboot activate'.
-----
Verification successful! No errors nor warnings in the configuration
Activate-Config received, processing.
waiting for request to finish
Request to 'ACTIVATE-CONFIG' has Finished,
Activate Complete
-- Saved configuration. -----
GUI ACCESS
  1: Enable Web GUI (yes/no)           : yes
WEB GUI MODE
  2 : Web GUI Mode                     : basic
HIGH AVAILABILITY
  3 : SBC mode                         : standalone
  4 : SBC role                         : N/A
SBC SETTINGS
  7 : Unique target name of this SBC   : jane_primary
```



```

      8 : IP address on management interface           : 164.30.85.51
      9 : Subnet mask                               : 255.255.0.0
     10: Gateway IP address                         : 164.30.0.1
AUTOMATIC CONFIGURATION
     11: Acquire config from the Primary (yes/no)    : N/A
PEER CONFIGURATION
     13: Peer target name                           : N/A
You may access the GUI via http://164.30.85.51:80/ after reboot.
=====

```

You have completed the Installation Wizard.

You can configure the Web Server for using Transport Layer Security (TLS). You can also manage the Web Server using specific commands. For more information about configuring TLS on the Web Server, and for information about Web Server management commands, see "Web Server TLS Configuration and Management Commands."

## Set Up High Availability Mode

Use the following procedure to configure High Availability (HA) on a primary and secondary Oracle® Enterprise Session Border Controller (E-SBC).

Confirm that you own an HA license.

In the following procedure, enter **y** to discard any changes and quit the installation wizard. The root prompt displays.

A "Warning" displays stating that using the wizard can overwrite (erase) the existing running configuration. If you want to back out of the setup process and not overwrite the current running configuration, you can enter **q** or enter **No** at the Erase config and proceed prompt. The root prompt displays.

### Note:

For HA environments, running setup on the secondary system is also required to set the wancom0 address and secondary targetname. The targetname must match the same secondary targetname specified on the primary system.

To configure the primary High Availability (HA):

1. In Superuser mode, type **run setup** , and press Enter.

```
ORACLE# run setup
```

2. Type **yes** to continue the setup process, and press Enter.
3. Type either **yes** or **no** to enable or disable the Web GUI, and press Enter.

```
Enable Web GUI (yes/no) [yes] :yes
```

The system displays the following:

```
=====
WEB GUI MODE
Choose which mode to enable for the web GUI
  Web GUI Mode
    1 - basic
    2 - expert
  Enter choice [1 - basic]      :
=====
```

4. Type **1** to enable Basic Mode and Expert Mode, or type **2** to enable Expert Mode, only. Press Enter.

If you enable both Basic and Expert Modes (selection 1), after logging into the Web GUI, the Basic Mode screen displays by default. You can switch to Expert Mode if you do not make any changes in Basic Mode, using the Switch to Expert button. If you enable Expert Mode only (selection 2), no button displays to switch to Basic Mode.

The system displays the following:

```
=====
HIGH AVAILABILITY
This SBC may be a standalone or part of a highly available
redundant pair.
  SBC mode
    1 - standalone
    2 - high availability
  Enter choice [1 - standalone]  :
=====
```

5. Type **2** to configure an HA device, and press Enter.

```
Enter choice [1 - standalone]    :2
```

The system displays the following:

```
=====
If this SBC is the primary, enter the configuration. If it is the
secondary, you can import settings from the primary.
SBC role
  1. primary
  2. secondary
Enter choice [1-primary]        :
=====
```

6. Enter **2**, and press Enter.

```
Enter choice [1-primary]        :2
```

The system displays the following:

```
=====
SBC SETTINGS
Unique target name of this SBC [<NN-ESD name>]      :
=====
```

7. Type a unique target name for the NN-ESD (or keep the default in [ ]), , and press Enter.

```
Unique target name of this SBC [NNESD1]      : NNESD2
```

The system displays the following:

```
=====
SBC SETTINGS
IP address on management interface [<SBC IP address>] :
=====
```

 **Note:**

The Installation Wizard provides default IP addresses for the HA primary and secondary peers (Redundancy interface address and Peer IP address ). These default addresses are link-local addresses as specified in RFC 3927, *Dynamic Configuration of IPv4 Link-local addresses*.

8. Type the IP address on the management interface of the secondary Web Server (or keep the default in [ ]), , and press Enter.

```
IP address on management interface [<SBC IP address>]      :
164.30.85.52
```

The system displays the following:

```
Subnet mask [255.255.0.0] :
=====
```

9. Type the subnet mask of the secondary Web Server (or keep the default in [ ]), , and press Enter.

```
Subnet mask [255.255.0.0]      : 255.255.0.0
```

The system displays the following:

```
=====
Gateway IP address [164.30.0.1]      :
=====
```

10. Type the gateway IP address of the secondary Web Server (or keep the default in [ ]), and press Enter.

```
Gateway IP address [<SBC gateay address>]      : 164.30.0.1
```

The system displays the following:

```
=====
AUTOMATIC CONFIGURATION
Acquire config from the Primary (yes/no) [yes]  :
=====
```

11. Type **y** for the secondary Web Server to acquire the configuration from the primary Web Server during switchover, and press Enter.

```
Acquire config from the Primary (yes/no) [yes]  y
```

The system displays the following:

```
=====
-- Summary view -----
GUI ACCESS
  1: Enable Web GUI (yes/no)      : yes
WEB GUI MODE
  2 : Web GUI Mode      : basic
HIGH AVAILABILITY
  3 : SBC mode      : high availability
  4 : SBC role      : secondary
SBC SETTINGS
  7 : Unique target name of this SBC      : NNESD2
  8 : IP address on management interface  : 164.30.85.52
  9 : Subnet mask      : 255.255.0.0
 10: Gateway IP address      : 164.30.0.1
AUTOMATIC CONFIGURATION
 11: Acquire config from the Primary (yes/no)      : yes
PEER CONFIGURATION
 13: Peer target name      : N/A
Enter 1 - 16 to modify, 'd' to display summary, 's' to save, 'q' to
exit. [s]:
=====
```

12. Types to save the configuration, and press Enter. Or, Select an item number from the summary view to modify the value for that item. Or, type **q** to exit the installation wizard.

```
Enter 1 - 16 to modify, 'd' to display summary, 's' to save, 'q' to
exit. [s]      :s
```

The system displays the following:

```
=====
Saving changes and quitting wizard. Are you sure? [y/n]?      :
=====
```

Type **y** to verify you want to save the configuration, and press Enter.

The system displays the following:

```
=====
Running configuration is backed up as
'bkup_setup_wizard_Mar__7_13_58_26_545.gz'
*****
Deleting configuration
Erase-Cache received, processing.
waiting 1200 for request to finish
Request to 'ERASE-CACHE' has Finished,
Erase-Cache: Completed
Request to 'RESTORE-CONFIG' has Finished,
Restore Backup Completed Successfully
checking configuration
Save-Config received, processing.
waiting for request to finish
Request to 'SAVE-CONFIG' has Finished,
Save complete
Currently active and saved configurations do not match!
To sync & activate, run 'activate-config' or 'reboot activate'.
-----
-
Verification successful! No errors nor warnings in the configuration
Activate-Config received, processing.
waiting for request to finish
Request to 'ACTIVATE-CONFIG' has Finished,
Activate Complete
-- Saved configuration. -----
GUI ACCESS
  1: Enable Web GUI (yes/no)      : yes
WEB GUI MODE
  2 : Web GUI Mode      : basic
HIGH AVAILABILITY
  3 : SBC mode      : high availability
  4 : SBC role      : secondary
SBC SETTINGS
  7 : Unique target name of this SBC      : NNESD2
  8 : IP address on management interface    : 164.30.85.52
  9 : Subnet mask      : 255.255.0.0
 10: Gateway IP address      : 164.30.0.1
AUTOMATIC CONFIGURATION
 11: Acquire config from the Primary (yes/no)      : yes
PEER CONFIGURATION
 13: Peer target name      : N/A
You may access the GUI via http://164.30.85.52:80/ after reboot.
=====
```

You have completed the Installation Wizard.

Run the Installation Wizard on the secondary peer of the HA pair.

## RADIUS Authentication

A security feature that extends beyond the designation of ACLI User and Superuser privileges, the User Authentication and Access control feature supports authentication using your RADIUS server(s). In addition, you can set two levels of privilege, one for all privileges and more limited set that is read-only.

User authentication configuration also allows you to use local authentication, localizing security to the Oracle® Enterprise Session Border Controller ACLI log-in modes. These modes are User and Superuser, each requiring a separate password.

The components involved in the RADIUS-based user authentication architecture are the Oracle® Enterprise Session Border Controller and your RADIUS server(s). In these roles:

- The Oracle® Enterprise Session Border Controller restricts access and requires authentication via the RADIUS server; the Oracle® Enterprise Session Border Controller communicates with the RADIUS server using either port 1812 or 1645, but does not know if the RADIUS server listens on these ports
- Your RADIUS server provides an alternative method for defining Oracle® Enterprise Session Border Controller users and authenticating them via RADIUS; the RADIUS server supports the VSA called ACME\_USER\_CLASS, which specifies what kind of user is requesting authentication and what privileges should be granted.

The Oracle® Enterprise Session Border Controller also supports the use of the Cisco Systems Inc.™ Cisco-AVPair vendor specific attribute (VSA). This attribute allows for successful administrator login to servers that do not support the Oracle authorization VSA. While using RADIUS-based authentication, the Oracle® Enterprise Session Border Controller authorizes you to enter Superuser mode locally even when your RADIUS server does not return the ACME\_USER\_CLASS VSA or the Cisco-AVPair VSA. For this VSA, the Vendor-ID is 1 and the Vendor-Type is 9. The list below shows the values this attribute can return, and the result of each:

- shell:priv-lvl=15—User automatically logged in as an administrator
- shell:priv-lvl=1—User logged in at the user level, and not allowed to become an administrator
- Any other value—User rejected

When RADIUS user authentication is enabled, the Oracle® Enterprise Session Border Controller communicates with one or more configured RADIUS servers that validates the user and specifies privileges. On the Oracle® Enterprise Session Border Controller, you configure:

- What type of authentication you want to use on the Oracle® Enterprise Session Border Controller
- If you are using RADIUS authentication, you set the port from which you want the Oracle® Enterprise Session Border Controller to send messages
- If you are using RADIUS authentication, you also set the protocol type you want the Oracle® Enterprise Session Border Controller and RADIUS server to use for secure communication

Although most common set-ups use two RADIUS servers to support this feature, you are allowed to configure up to six. Among other settings for the server, there is a class parameter that specifies whether the Oracle® Enterprise Session Border Controller should consider a specific server as primary or secondary. As implied by these designation, the primary servers are used first for authentication, and the secondary servers are used as backups. If you configure more than one primary and one secondary server, the Oracle® Enterprise Session Border Controller will choose servers to which it sends traffic in a round-robin strategy. For example, if you specify three servers are primary, the Oracle® Enterprise Session Border Controller will round-robin to select a server until it finds an appropriate one; it will do the same for secondary servers.

The VSA attribute assists with enforcement of access levels by containing one of the three following classes:

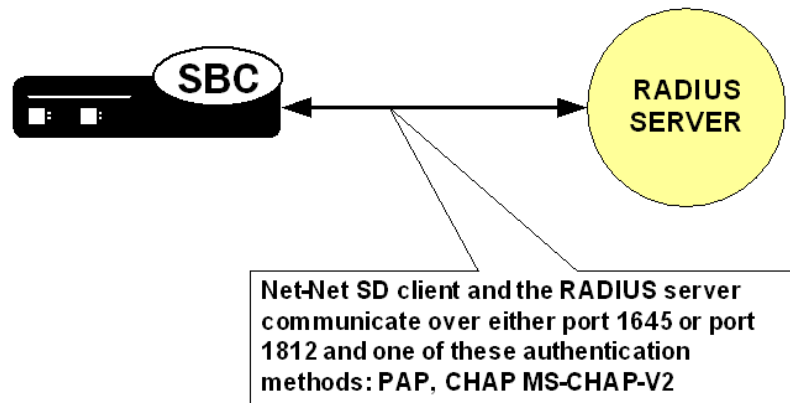
- None—All access denied
- User—Monitoring privileges are granted; your user prompt will resemble ORACLE>
- Admin—All privileges are granted (monitoring, configuration, etc.); your user prompt will resemble ORACLE#

After it selects a RADIUS server, the Oracle® Enterprise Session Border Controller initiates communication and proceeds with the authentication process. The authentication process between the Oracle® Enterprise Session Border Controller and the RADIUS server takes place using one of three methods, all of which are defined by RFCs:

Protocol	RFC
PAP (Password Authentication Protocol)	B. Lloyd and W. Simpson, PPP Authentication Protocols, RFC 1334, October 1992
CHAP (Challenge Handshake Authentication Protocol)	B. Lloyd and W. Simpson, PPP Authentication Protocols, RFC 1334, October 1992 W. Simpson, PPP Challenge Handshake Authentication Protocol (CHAP), RFC 1994, August 1996
MS-CHAP-V2	G. Zorn, Microsoft PPP CHAP Extensions, Version 2, RFC 2759, January 2000

 **Note:**

MS-CHAP-V2 support includes authentication only; password exchange is not supported or allowed on the Oracle® Enterprise Session Border Controller.



## PAP Handshake

For PAP, user credentials are sent to the RADIUS server include the user name and password attribute. The value of the User-Password attribute is calculated as specified in RFC 2865.

## PAP Client Request Example

```
Radius Protocol
Code: Access Request (1)
  Packet identifier: 0x4 (4)
  Length: 61
  Authenticator: 0x0000708D00002C5900002EB600003F37
  Attribute value pairs
    t:User Name(1) l:11, value:"TESTUSER1"
      User-Name: TESTUSER1
    t:User Password (2) l:18, value:739B3A0F25094E4B3CDA18AB69EB9E4
    t:NAS IP Address(4) l:6, value:168.192.68.8
      Nas IP Address: 168.192.68.8(168.192.68.8)
    t:NAS Port(5) l:6, value:118751232
```

## PAP RADIUS Response

```
Radius Protocol
Code: Access Accept (2)
  Packet identifier: 0x4 (4)
  Length: 20
  Authenticator: 0x36BD589C1577FD11E8C3B5BB223748
```

## CHAP Handshake

When the authentication mode is CHAP, the user credentials sent to the RADIUS server include "username," "CHAP-Password," and "CHAP-Challenge." The "CHAP-Password" credential uses MD-5 one way. This is calculated over this series of the following values, in this order: challenge-id (which for the Oracle® Enterprise Session Border Controller is always 0), followed by the user password, and then the challenge (as specified in RFC 1994, section 4.1).



## CHAP Client Request Example

```
Radius Protocol
Code: Access Request (1)
Packet identifier: 0x5 (5)
Length: 80
Authenticator: 0x0000396C000079860000312A00006558
Attribute value pairs
  t:User Name(1) l:11, value:"TESTUSER1"
    User-Name: TESTUSER1
  t:CHAP Password (3) l:19, value:003D4B1645554E881231ED7A137DD54FBF
  t:CHAP Challenge (60) l:18, value: 000396C000079860000312A00006558
  t:NAS IP Address(4) l:6, value:168.192.68.8
    Nas IP Address: 168.192.68.8(168.192.68.8)
  t:NAS Port(5) l:6, value:118751232
```

## CHAP RADIUS Response

```
Radius Protocol
Code: Access Accept (2)
Packet identifier: 0x4 (4)
Length: 20
Authenticator: 0x3BE89EED1B43D91D80EB2562E9D65392
```

## MS-CHAP-v2 Handshake

When the authentication method is MS-CHAP-v2, the user credentials sent to the RADIUS server in the Access-Request packet are:

- username
- MS-CHAP2-Response—Specified in RFC 2548, Microsoft vendor-specific RADIUS attributes
- MS-CHAP2-Challenge—Serves as a challenge to the RADIUS server

If the RADIUS authentication is successful, the Access-Accept packet from the RADIUS server must include an MS-CHAP2-Success attribute calculated using the MS-CHAP2-Challenge attribute included in the Access-Request. The calculation of MS-CHAP2-Success must be carried out as specified in RFC 2759. The Oracle® Enterprise Session Border Controller verifies that the MS-CHAP2-Success attribute matches with the calculated value. If the values do not match, the authentication is treated as a failure.

## MS-CHAP-v2 Client Request Example

Some values have been abbreviated.

```
Radius Protocol
Code: Access Request (1)
Packet identifier: 0x5 (5)
Length: 80
```

```

Authenticator: 0x0000024C000046B30000339F00000B78
Attribute value pairs
  t:User Name(1) l:11, value:"TESTUSER1"
    User-Name: TESTUSER1
  t:Vendor Specific(26) l:24, vendor:Microsoft(311)
  t:MS CHAP Challenge(11) l:18, value:0000024C000046B30000339F00000B78
  t:Vendor Specific(26) l:58, vendor:Microsoft(311)
  t:MS CHAP2 Response(25) l:52,
value:00000000024C000046B30000339F00000B78...
  t:NAS IP Address(4) l:6, value:168.192.68.8
    Nas IP Address: 168.192.68.8(168.192.68.8)
  t:NAS Port(5) l:6, value:118751232

```

## MS-CHAP-v2 RADIUS Response

```

Radius Protocol
  Code: Access Accept (2)
  Packet identifier: 0x6 (6)
  Length: 179
  Authenticator: 0xECB4E59515AD64A2D21FC6D5F14D0CC0
  Attribute value pairs
    t:Vendor Specific(26) l:51, vendor:Microsoft(311)
    t:MS CHAP Success(11) l:45,
value:003533s33d3845443532443135453846313...
    t:Vendor Specific(26) l:42, vendor:Microsoft(311)
    t:MS MPPE Recv Key(17) l:36,
value:96C6325D22513CED178F770093F149CBBA...
    t:Vendor Specific(26) l:42, vendor:Microsoft(311)
    t:MS MPPE Send Key(16) l:36,
value:9EC9316DBFA701FF0499D36A1032678143...
    t:Vendor Specific(26) l:12, vendor:Microsoft(311)
    t:MS MPPE Encryption Policy(7) l:6, value:00000001
    t:Vendor Specific(26) l:12, vendor:Microsoft(311)
    t:MS MPPE Encryption Type(8) l:6, value:00000006

```

## Management Protocol Behavior

When you use local authentication, management protocols behave the same way that they do when you are not using RADIUS servers. When you are using RADIUS servers for authentication, management protocols behave as described in this section.

- SSH in pass-through mode—The “user” or admin accounts are authenticated locally, not via the RADIUS server. For all other accounts, the configured RADIUS servers are used for authentication. If authentication is successful, the user is granted privileges depending on the ACME\_USER\_CLASS VSA attribute.
- SSH in non-pass-through mode—When you create an SSH account on the Oracle® Enterprise Session Border Controller, you are asked to supply a user name and password. Once local authentication succeeds, you are prompted for the ACLI user name and password. If your user ACLI name is user, then you are authenticated locally. Otherwise, you are authenticated using the RADIUS server. If RADIUS authentication is successful, the privileges you are granted depend on the ACME\_USER\_CLASS VSA attribute.

- SFTP in pass-through mode—If you do not configure an SSH account on the Oracle® Enterprise Session Border Controller, the RADIUS server is contacted for authentication for any user that does not have the user name user. The Oracle® Enterprise Session Border Controller uses local authentication if the user name is user.
- SFTP in non-pass-through mode—The “user” or admin accounts are authenticated locally, not via the RADIUS server. For all other accounts, the configured RADIUS servers are used for authentication.

## RADIUS Authentication Configuration

To enable RADIUS authentication and user access on your Oracle® Enterprise Session Border Controller, you need to configure global parameters for the feature and then configure the RADIUS servers that you want to use.

### Global Authentication Settings

To configure the global authentication settings:

1. In Superuser mode, type **configure terminal** and press Enter.

```
ORACLE# configure terminal
```

2. Type **security** and press Enter.

```
ORACLE(configure)# security
```

3. Type **authentication** and press Enter. The system prompt changes to let you know that you can begin configuring individual parameters.

```
ORACLE(security)# authentication  
ORACLE(authentication)#
```

From here, you can view the entire menu for the authentication configuration by typing a **?**. You can set global parameters for authentication. You can also configure individual RADIUS servers; instructions for configuring RADIUS server appear in the next section.

4. **type**—Set the type of user authentication you want to use on this Oracle® Enterprise Session Border Controller. The default value is **local**. The valid values are:
  - local | radius
5. **protocol**—If you are using RADIUS user authentication, set the protocol type to use with your RADIUS server(s). The default is **pap**. The valid values are:
  - pap | chap | mschapv2
6. **source-port**—Set the number of the port you want to use from message sent from the Oracle® Enterprise Session Border Controller to the RADIUS server. The default value is 1812. The valid values are:
  - 1645 | 1812
7. **allow-local-authorization**—Set this parameter to **enabled** if you want the Oracle® Enterprise Session Border Controller to authorize users to enter

Superuser (administrative) mode locally even when your RADIUS server does not return the ACME\_USER\_CLASS VSA or the Cisco-AVPair VSA. The default for this parameter is **disabled**.

## RADIUS Server Settings

The parameters you set for individual RADIUS servers identify the RADIUS server, establish a password common to the Oracle® Enterprise Session Border Controller and the server, and establish trying times.

Setting the class and the authentication methods for the RADIUS servers can determine how and when they are used in the authentication process.

To configure a RADIUS server to use for authentication:

1. Access the RADIUS server submenu from the main authentication configuration:

```
ORACLE(authentication)# radius-servers  
ORACLE(radius-servers)#
```

2. **address**—Set the remote IP address for the RADIUS server. There is no default value, and you are required to configure this address.
3. **port**—Set the port at the remote IP address for the RADIUS server. The default port is set to **1812**. The valid values are:
  - 1645 | 1812
4. **state**—Set the state of the RADIUS server. Enable this parameter to use this RADIUS server to authenticate users. The default value is **enabled**. The valid values are:
  - enabled | disabled
5. **secret**—Set the password that the RADIUS server and the Oracle® Enterprise Session Border Controller share. This password is transmitted between the two when the request for authentication is initiated; this ensures that the RADIUS server is communicating with the correct client.
6. **nas-id**—Set the NAS ID for the RADIUS server. There is no default for this parameter.
7. **retry-limit**—Set the number of times that you want the Oracle® Enterprise Session Border Controller to retry for authentication information from this RADIUS server. The default value is **3**. The valid range is:
  - Minimum—1
  - Maximum—5If the RADIUS server does not respond within this number of tries, the Oracle® Enterprise Session Border Controller marks it as dead.
8. **retry-time**—Set the amount of time (in seconds) that you want the Oracle® Enterprise Session Border Controller to wait before retrying for authentication from this RADIUS server. The default value is **5**. The valid range is:
  - Minimum—5
  - Maximum—10
9. **dead-time**—Set the amount of time in seconds before the Oracle® Enterprise Session Border Controller retries a RADIUS server that it has designated as dead

because that server did not respond within the maximum number of retries. The default is **10**. The valid range is:

- Minimum—10
- Maximum—10000

**10. maximum-sessions**—Set the maximum number of outstanding sessions for this RADIUS server. The default value is **255**. The valid range is:

- Minimum—1
- Maximum—255

**11. class**—Set the class of this RADIUS server as either primary or secondary. A connection to the primary server is tried before a connection to the secondary server is tried. The default value is **primary**. Valid values are:

- primary | secondary

The Oracle® Enterprise Session Border Controller tries to initiate contact with primary RADIUS servers first, and then tries the secondary servers if it cannot reach any of the primary ones.

If you configure more than one RADIUS server as primary, the Oracle® Enterprise Session Border Controller chooses the one with which it communicates using a round-robin strategy. The same strategy applies to the selection of secondary servers if there is more than one.

**12. authentication-methods**—Set the authentication method you want the Oracle® Enterprise Session Border Controller to use with this RADIUS server. The default value is **pap**. Valid values are:

- all | pap | chap | mschapv2

This parameter has a specific relationship to the global protocol parameter for the authentication configuration, and you should exercise care when setting it. If the authentication method that you set for the RADIUS server does not match the global authentication protocol, then the RADIUS server is not used. The Oracle® Enterprise Session Border Controller simply overlooks it and does not send authentication requests to it. You can enable use of the server by changing the global authentication protocol so that it matches.

**13.** Use the **management-servers** attribute to identify one or more RADIUS servers available to provide AAA services.

Servers are identified by IP address, participate in the configured **management-strategy**, and must have been previously configured as described above.

The following example identifies three available RADIUS servers. The list is delimited by left and right parentheses, and list items are separated by space characters.

```
ORACLE(authentication)# management-servers (172.30.0.6 172.30.1.8
172.30.2.10)
ORACLE(authentication)#
```

The following example deletes the current list.

```
ORACLE(authentication)# management-servers ( )
ORACLE(authentication)#
```

14. Save your work and activate your configuration.

## TACACS+

TACACS+ (Terminal Access Controller Access Control System Plus) is a protocol originally developed by Cisco Systems, and made available to the user community by a draft RFC, *TACACS+ Protocol, Version 1.78* (draft-grant-tacacs-02.txt). TACACS+ provides AAA (Authentication, Authorization, and Accounting) services over a secure TCP connection using Port 49.

## TACACS+ Overview

Like DIAMETER and RADIUS, TACACS+ uses a client/server model in which a Network Access Server (NAS) acts in the client role and a TACACS+ equipped device (a daemon in TACACS+ nomenclature) assumes the server role. For purposes of the current implementation, the Oracle® Enterprise Session Border Controller functions as the TACACS+ client. Unlike RADIUS, which combines authentication and authorization, TACACS+ provides three distinct applications to provide finer grade access control.

Authentication is the process that confirms a user's purported identity. Authentication is most often based on a simple username/password association, but other, and more secure methods, are becoming more common. The following authentication methods are supported by the current implementation: simple password, PAP (Protocol Authentication Protocol), and CHAP (Challenge Handshake Authentication Protocol).

Authorization is the process that confirms user privileges. TACACS+ can provide extremely precise control over access to system resources. In the current implementation, TACACS+ controls access to system administrative functions.

TACACS+ provides secure communication between the client and daemon by encrypting all packets. Encryption is based on a shared-secret, a string value known only to the client and daemon. Packets are encrypted in their entirety, save for a common TACACS+ header.

The cleartext header contains, among other fields, a version number, a sequence number, and a session ID. Using a methodology described in Section 5 of the TACACS+ draft RFC, the sender encrypts outbound cleartext messages by repetitively running the MD5 hash algorithm over the concatenation of the session ID, shared-secret, version number, and sequence number values, eventually deriving a virtual one-time-pad of the same length as the message body. The sender encrypts the cleartext message with an XOR (Exclusive OR) operation, using the cleartext message and virtual one-time-pad as inputs.

The message recipient, who possesses the shared-secret, can readily obtain the version number, sequence number, session ID, and message length from the cleartext header. Consequently, the recipient employs the same methodology to derive a virtual one-time-pad identical to that derived by the sender. The recipient decrypts the encrypted message with an XOR operation, using the encrypted message and virtual one-time-pad as inputs.

Details on the TACACS+ functions and configuration can be found in the Oracle Communications Session Border Controller CLI Configuration Guide.

The TACACS+ implementation is based upon the following internet draft.

draft-grant-tacacs-02.txt, *The TACACS+ Protocol Version 1.78*

Other relevant documents include

RFC 1321, *The MD-5 Message Digest Algorithm*

RFC 1334, *PPP Authentication Protocols* .

RFC 1994, *PPP Challenge Handshake Authentication Protocol (CHAP)*

 **Note:**

TACACs documentation in this guide excludes per-message definitions that duplicate IETF standards documentation.

## TACACS+ Administrative Security

Oracle® Enterprise Session Border Controllers use either the RADIUS (Remote Authentication Dial-In User Service) or the TACACS+ (Terminal Access Control Access Control System Plus) protocol for centralized access control administration; however, prior to this release, you could connect to the TACACS+ server only from the system's media interfaces. This feature implements TACACS+ authorization (user permissions management on a command basis), authentication (user management), and accounting on management interfaces.

## TACACS+ Authentication

The Oracle® Enterprise Session Border Controller uses TACACS+ authentication services solely for the authentication of user accounts. Administrative users must be authenticated locally by the Oracle® Enterprise Session Border Controller.

The current TACACS+ implementation supports three types of user authentication: simple password (referred to as ascii by TACACS+), PAP, and CHAP.

### ascii Login

ascii login is analogous to logging into a standard PC. The initiating peer is prompted for a username, and, after responding, is then prompted for a password.

### PAP Login

PAP is defined in RFC 1334, *PPP Authentication Protocols*. This protocol offers minimal security in that passwords are transmitted as unprotected cleartext. PAP login differs from ascii login in that the username and password are transmitted to the authenticating peer in a single authentication packet, as opposed to the two-step prompting process used in ascii login.

### CHAP Login

CHAP is defined in RFC 1994, *PPP Challenge Handshake Authentication Protocol*. CHAP is a more secure than PAP in that it is based on a shared-secret (known only to the communicating peers), and therefore avoids the transmission of cleartext authentication credentials. CHAP operations can be summarized as follows.

After a login attempt, the initiator is tested by the authenticator who responds with a packet containing a challenge value — an octet stream with a recommended length of 16 octets or more. Receiving the challenge, the initiator concatenates an 8-bit identifier (carried within the challenge packet header), the shared-secret, and the challenge value, and uses the shared-secret to compute an MD-5 hash over the concatenated string. The initiator returns the hash value to the authenticator, who performs the same hash calculation, and compares results. If the hash values match, authentication succeeds; if hash values differ, authentication fails.

## Authentication Message Exchange

All TACACS+ authentication packets consist of a common header and a message body. Authentication packets are of three types: START, CONTINUE, and REPLY.

START and CONTINUE packets are always sent by the Oracle® Enterprise Session Border Controller, the TACACS+ client. START packets initiate an authentication session, while CONTINUE packets provide authentication data requested by the TACACS+ daemon. In response to every client-originated START or CONTINUE, the daemon must respond with a REPLY packet. The REPLY packet contains either a decision (pass or fail), which terminates the authentication session, or a request for additional information needed by the authenticator.

## TACACS+ Authorization

The Oracle® Enterprise Session Border Controller uses TACACS+ services to provide administrative authorization. With TACACS+ authorization enabled, each individual CLI command issued by an admin user is authorized by the TACACS+ authorization service. The Oracle® Enterprise Session Border Controller replicates each CLI command in its entirety, sends the command string to the authorization service, and suspends command execution until it receives an authorization response. If TACACS+ grants authorization, the pending command is executed; if authorization is not granted, the Oracle® Enterprise Session Border Controller does not execute the CLI command, and displays an appropriate error message.

The daemon's authorization decisions are based on a database lookup. Data base records use regular expressions to associate specific command string with specific users. The construction of such records is beyond the scope of this document.

## TACACS+ Authorization Command & Arguments Boundary

Each TACACS+ authorization entry on an CLI command line comprises the command and its arguments. Currently everything typed as a TACACS+ authorization command by an authenticated admin user, including the arguments, is sent to the TACACS+ server in the command field of the TACACS+ message; the argument field in the TACACS+ message contains no arguments and is set to "cmd-arg=<CR>". This feature adds the new parameter **tacacs-authorization-arg-mode** to the **authentication** configuration element, which enables the TACACS+ authorization command and its arguments to be sent to the TACACS+ server separately.

## Authorization Message Exchange

All TACACS+ authorization packets consist of a common header and a message body. Authorization packets are of two types: REQUEST and RESPONSE.



The REQUEST packet, which initiates an authorization session, is always sent by the Oracle® Enterprise Session Border Controller. Upon receipt of every REQUEST, the daemon must answer with a RESPONSE packet. In the current TACACS+ implementation, the RESPONSE packet must contain an authorization decision (pass or fail). The exchange of a single REQUEST and the corresponding RESPONSE completes the authorization session.

## TACACS+ Accounting

The Oracle® Enterprise Session Border Controller uses TACACS+ accounting to log administrative actions. With accounting enabled, each individual CLI command executed by an admin user is logged by the accounting service.

## Accounting Message Exchange

All TACACS+ accounting packets consist of a common header and a message body. Accounting packets are of two types: REQUEST and REPLY.

The REQUEST packet has three variant forms. The START variant initiates an accounting session; the STOP variant terminates an accounting session; the WATCHDOG variant updates the current accounting session. REQUEST packets are always sent by the Oracle® Enterprise Session Border Controller. Upon receipt of every REQUEST, the daemon must answer with a REPLY packet.

A TACACS+ accounting session proceeds as follows.

1. Immediately following successful authorization of an admin user, the Oracle® Enterprise Session Border Controller sends an accounting REQUEST START packet.
2. The daemon responds with an accounting REPLY packet, indicating that accounting has started.
3. For each CLI command executed by an admin user, the Oracle® Enterprise Session Border Controller sends an accounting REQUEST WATCHDOG packet requesting accounting of the CLI command. As the Oracle® Enterprise Session Border Controller sends the WATCHDOG only after an admin user's access to the CLI command is authorized, the accounting function records only those commands executed by the user, not those commands for which authorization was not granted.
4. The daemon responds with an accounting REPLY packet, indicating that the CLI operation has been recorded by the accounting function.
5. Steps 3 and 4 are repeated for each authorized CLI operation.
6. Immediately following logout (or timeout) of an admin user, the Oracle® Enterprise Session Border Controller sends an accounting REQUEST STOP packet.
7. The daemon responds with an accounting REPLY packet, indicating that accounting has stopped.

## TACACS+ Configuration

Configuration of TACACS+ consists of the following steps.

1. Enable TACACS+ client services
2. Specify one or more TACACS+ servers (daemons)

## Enable TACACS+ Client Services

Use the following procedure to enable specific TACACS+ client AAA services.

1. Access the **authentication** configuration element.

```
ORACLE# configure terminal
ORACLE(configure)# security
ORACLE(security)# authentication
ORACLE(authentication)#
```

2. **type** — Configure this parameter to specify the authentication protocol. The default value is **local**. Specify **tacacs** to enable the TACACS+ AAA protocol.
  - **diameter** — DIAMETER authentication (not yet supported)
  - **local** — authentication determinations are referred to a local database (default)
  - **radius** — RADIUS authentication
  - **tacacs** — TACACS+ authentication
3. **tacacs-authentication-only**— Enable this parameter to require remote authentication via TACACS+ unless the TACACS+ infrastructure is not available.
  - **disabled** (default)
  - **enabled**
4. **tacacs-authorization**— Configure this parameter to enable or disable command-based user authorization. The default value is **enabled** when the value of **type** is **tacacs**.
  - **disabled**
  - **enabled** (default)
5. **tacacs-authorization-arg-mode** — Configure this parameter to enable or disable sending TACACS+ authorization commands and their arguments separately to the TACACS+ server. The default value is **disabled**.
  - **disabled** (default)
  - **enabled**
6. **tacacs-accounting** — Configure this parameter to enable or disable accounting of admin ACLI operations. The default value is **enabled** when the value of **type** is **tacacs**.
  - **disabled**
  - **enabled** (default)
7. **server-assigned-privilege** — Configure this parameter to enable or disable a proprietary TACACS+ variant that, after successful user authentication, adds an additional TACACS+ request/reply exchange. During the exchange, the Security Gateway requests the privilege level of the newly authenticated user. In response, the TACACS+ daemon returns the assigned privilege level, either user or admin. Set this attribute to **enabled** to initiate the proprietary variant behavior. User accounts are denied access to the **enabled** command, thus barring them from

configuration level commands. The default value is **disabled** (no privilege level information is exchanged).

- **disabled** (default)
  - **enabled**
8. **management-strategy** — Configure this parameter to identify the selection algorithm used to choose among multiple available TACACS+ daemons. Retain the default value of **hunt** when only a single daemon is available.
    - **hunt** (default) — for the first transaction the Security Gateway selects the initially configured TACACS+ daemon. When that daemon is online and operational, the Security Gateway directs all AAA transactions to it. Otherwise, the Security Gateway selects the second-configured daemon. If the first and second daemons are offline or non-operational, the next-configured daemon is selected, and so on through the group of available daemons.
    - **roundrobin** — for the first transaction the Security Gateway selects the initially configured TACACS+ daemon. After completing the first transaction, it selects each daemon in order of configuration — in theory, evenly distributing AAA transactions to each daemon over time.
  9. Type **done** to save your configuration.

## Specify TACACS+ Servers

Use the following procedure to specify one or more TACACS+ servers (daemons).

1. Access the **tacacs-servers** configuration element.

```
ORACLE# configure terminal
ORACLE(configure)# security
ORACLE(security)# authentication
ORACLE(authentication)# tacacs-servers
ORACLE(tacacs-servers)#
```

2. Use the **address** attribute to specify the IP address of this TACACS+ daemon.

```
ORACLE(tacacs-servers)# address 172.30.0.6
ORACLE(tacacs-servers)#
```

3. Use the **port** attribute to identify the daemon port that receives TACACS+ client requests.

Provide a port number within the range 1025 through 65535, or retain the default value, 49, the well-known TACACS+ port.

```
ORACLE(tacacs-servers)# port 49
ORACLE(tacacs-servers)#
```

4. Use the **state** attribute to specify the availability of this TACACS+ daemon. Select enabled (the default) or disabled.

Only TACACS+ daemons that are in the enabled state are considered when running the server-selection algorithm.

```
ORACLE(tacacs-servers)# state enabled
ORACLE(tacacs-servers)#
```

5. Use the **realm-id** attribute to identify the realm that provides access to this TACACS+ daemon.

```
ORACLE(tacacs-servers)# realm-id accounting
ORACLE(tacacs-servers)#
```

6. Retain the default value for the **authentication-methods** attribute to specify support for all TACACS+ authentication methods (pap, chap, and ascii).
  - **ascii** — simple login, the Oracle® Enterprise Session Border Controller (OCSBC) prompts user for username and password
  - **pap** — similar to ascii method, but username and password are encapsulated in a PAP header
  - **chap** — authentication based on a shared-secret, which is not passed during the authentication process

```
ORACLE(tacacs-servers)# authentication-methods all
ORACLE(tacacs-servers)#
```

7. Use the **secret** attribute to provide the shared-secret used by the TACACS+ client and the daemon to encrypt and decrypt TACACS+ messages. The identical shared-secret must be configured on associated TACACS+ clients and daemons.

Enter a 16-digit string, and ensure that the identical value is configured on the TACACS+ daemon.

```
ORACLE(tacacs-servers)# secret 1982100754609236
ORACLE(tacacs-servers)#
```

8. Use the **dead-time** attribute to specify, in seconds, the quarantine period imposed upon TACACS+ daemons that become unreachable. Quarantined servers are not eligible to participate in the server-selection algorithm.

Supported values are integers within the range 10 through 10000 seconds, with a default value of 10 .

```
ORACLE(tacacs-servers)# dead-interval 120
ORACLE(tacacs-servers)#
```

9. Type **done** to save your configuration.
10. Repeat Steps 1 through 10 to configure additional TACACS+ daemons.

 **Note:**

After configuring TACACS+ daemons, complete TACACS+ configuration by compiling a list of available daemons.

11. From superuser mode, use the following command sequence to access authentication configuration mode.

```
ORACLE# configure terminal
ORACLE(configure)# security
ORACLE(security)# authentication
ORACLE(authentication)#
```

12. Use the **management-servers** attribute to identify one or more TACACS+ servers available to provide AAA services.

Servers are identified by IP address, participate in the configured **management-strategy**, and must have been previously configured as described above.

The following example identifies three available TACACS+ servers. The list is delimited by left and right parentheses, and list items are separated by space characters.

```
ORACLE(authentication)# management-servers (172.30.0.6 172.30.1.8
172.30.2.10)
ORACLE(authentication)#
```

The following example deletes the current list.

```
ORACLE(authentication)# management-servers ( )
ORACLE(authentication)#
```

## Managing TACACS+ Operations

TACACS+ management is supported by the following utilities.

### TACACS+ MIB

An Oracle proprietary MIB provides external access to TACACS+ statistics.

MIB counters are contained in the apSecurityTacacsPlusStatsTable that is defined as follows.

```
SEQUENCE {
  apSecurityTacacsPlusCliCommands           Counter32
  apSecurityTacacsPlusSuccess Authentications Counter32
  apSecurityTacacsPlusFailureAuthentications Counter32
  apSecurityTacacsPlusSuccess Authorizations Counter32
  apSecurityTacacsPlusFailureAuthorizations Counter32
}
```

apSecurityTacacsPlusStats Table (1.3.6.1.4.1.9148.3.9.9.4)

Object Name	Object OID	Description
apSecurityTacacsCliCommands	1.3.6.1.4.1.9148.3.9.1.4.3	Global counter for ACLI commands sent to TACACS+ Accounting

Object Name	Object OID	Description
apSecurityTacacsSuccess Authentications	1.3.6.1.4.1.9148.3.9.1.4.4	Global counter for the number of successful TACACS+ authentications
apSecurityTacacsFailure Authentications	1.3.6.1.4.1.9148.3.9.1.4.5	Global counter for the number of unsuccessful TACACS+ authentications
apSecurityTacacsSuccess Authorizations	1.3.6.1.4.1.9148.3.9.1.4.6	Global counter for the number of successful TACACS+ authorizations
apSecurityTacacsFailure Authorizations	1.3.6.1.4.1.9148.3.9.1.4.7	Global counter for the number of unsuccessful TACACS+ authorizations

## SNMP Trap

SNMP traps are issued when

- a TACACS+ daemon becomes unreachable
- an unreachable TACACS+ daemon becomes reachable
- an authentication error occurs
- an authorization error occurs

## TACACS+ Faults

The Oracle® Enterprise Session Border Controller supports two TACACS+ traps, apSysMgmtTacacsDownTrap and apSysMgmtTacacsDownClearTrap.

The apSysMgmtTacacsDownTrap is generated when a TACACS+ server becomes unreachable.

The apSysMgmtTacacsDownClearTrap is generated when a TACACS+ server that was unreachable becomes reachable.

The E-SBC searches for a TACACS+ server until it finds an available one and then stops searching. However, in the TACACS+ SNMP implementation, SNMP expects the E-SBC to make connection attempts to all servers. When there is only one TACACS+ server and that server goes down, the E-SBC behaves normally, sending a apSysMgmtTacacsDownTrap trap when the server goes down, and a apSysMgmtTacacsDownClearTrap trap when the server comes back up. When there is more than one TACACS+ server and the active server goes down, an apSysMgmtTacacsDownTrap trap is sent, indicating that some servers are down and the next server is tried. If all servers fail, an apSysMgmtTacacsDownTrap is sent indicating that all servers are down. If one of the servers comes back up while the rest are still down, an apSysMgmtTacacsDownTrap is sent indicating that some servers are still down.

## ACL show Command

The **show tacacs stats** command displays the following statistics.

- number of ACLI commands sent for TACACS+ accounting

- number of successful TACACS+ authentications
- number of failed TACACS+ authentications
- number of successful TACACS+ authorizations
- number of failed TACACS+ authentications
- the IP address of the TACACS+ daemon used for the last transaction

## TACACS+ Logging

All messages between the Oracle® Enterprise Session Border Controller and the TACACS+ daemon are logged in a cleartext format, allowing an admin user to view all data exchange, except for password information.

## Customizing Your ACLI Settings

This section describes several ways you can customize the way you log into the ACLI and the way the ACLI displays information. Where applicable, these descriptions also contain instructions for configuration.

### Disabling the Second Login Prompt

With this feature enabled, the E-SBC logs you in as a Superuser (i.e., in administrative mode) regardless of your configured privilege level for an SSH session. However, if you log via SSH, you still need to enter the password for local or RADIUS authentication.

### Disabling the Second Login Prompt Configuration

You disable the second login prompt in the authentication configuration.

To disable the second login prompt:

1. In Superuser mode, type **configure terminal** and press Enter.

```
ORACLE# configure terminal  
ORACLE(configure)#
```

2. Type **security** and press Enter.

```
ORACLE(configure)# security  
ORACLE(security)#
```

3. Type **authentication** and press Enter. The system prompt changes to let you know that you can begin configuring individual parameters.

```
ORACLE(security)# authentication  
ORACLE(authentication)#
```

4. **login-as-admin**—Set this parameter to **enabled** if you want users to be logged automatically in Superuser (administrative) mode. The default for this parameter is **disabled**.
5. Save and activate your configuration.

## Persistent ACLI more Parameter

To make using the ACLI easier, the Oracle® Enterprise Session Border Controller provides a paging feature controlled through the ACLI **cli more** command (which you can set to enabled or disabled). Disabled by default, this feature allows you to control how the Oracle® Enterprise Session Border Controller displays information on your screen during a console or SSH session. This command sets the paging feature on a per session basis.

Customers who want to set the paging feature so that settings persist across sessions with the Oracle® Enterprise Session Border Controller can set a configuration parameter that controls the paging feature. Enabling this parameter lets you set your preferences once rather than having to reset them each time you initiate a new session with the Oracle® Enterprise Session Border Controller.

## Persistent ACLI more Parameter Configuration

To set the persistent behavior of the ACLI more feature across sessions:

1. In Superuser mode, type **configure terminal** and press Enter.

```
ORACLE# configure terminal  
ORACLE(config)#
```

2. Type **system** and press Enter.

```
ORACLE(config)# system  
ORACLE(system)#
```

3. Type **system-config** and press Enter.

```
ORACLE(system)# system-config  
ORACLE(system-config)#
```

If you are adding this feature to an existing configuration, you need to select the configuration (using the ACLI **select** command) before making your changes.

4. **cli-more**—Set this parameter to **enabled** if you want the ACLI more paging feature to work persistently across console or SSH sessions with the Oracle® Enterprise Session Border Controller. If you want to continue to set this feature on a per session basis, leave this parameter set to **disabled** (default).
5. Save and activate your configuration.

## Customized Login Banner

A text file can be put on the Oracle® Enterprise Session Border Controller to be used as a banner to be printed before each login. The file must be called `/code/banners/banner.txt`. The contents of this file will be printed before each User Access Verification login sequence. The limits are that no more than 79 characters per line and no more than 20 lines from the banner.txt file will be printed.

The banner.txt file used for the ACLI customized login banner has to be saved in the `/code/banners` directory. If that directory does not already exist on your system, you do



not have to create the directory prior to placing the banner file because the Oracle® Enterprise Session Border Controller will create it upon boot if it does not exist.

# 2

## System Configuration

This chapter explains how to configure system-level functionality for the Oracle® Enterprise Session Border Controller. Both physical and network interfaces as well as general system parameters are required to configure your Oracle® Enterprise Session Border Controller for service. Accounting functionality, SNMP configurations, trap configurations, and host routes are optional.

The following configurations are explained in this chapter:

- General system parameters—used for operating and identification purposes. In general, the informational fields have no specific effect on services, but are important to keep populated. The default gateway parameter is included here. It requires special attention since its configuration is dependent on the type of traffic the Oracle® Enterprise Session Border Controller is servicing.
- Physical and network interfaces—enables the Oracle® Enterprise Session Border Controller to communicate with any network element. Interfaces are one of the most basic configurations you need to create.
- SNMP—used for monitoring system health throughout a network.
- Syslogs and Process logs—used to save a list of system events to a remote server for analysis and auditing purposes.
- Host routes—used to instruct the Oracle® Enterprise Session Border Controller host how to reach a given network that is not directly connected to a local network interface.

## Configuring The Oracle® Enterprise Session Border Controller as a Virtual Machine (VM)

Operating the Oracle® Enterprise Session Border Controller as a VM introduces configuration requirements that define resource utilization by the virtual machine. The applicable configuration elements allow the user to optimize resource utilization based on the application's needs and VM resource sharing.

Oracle® Enterprise Session Border Controller configuration for VM includes settings to address:

**media-manager** — Set media manager configuration elements to constrain bandwidth utilization, based on traffic type. See Media Manager Configuration for Virtual Machines in the Realms and Nested Realms Chapter.

**system-config**, [*core configuration parameters*] — Set these parameters to specify CPU resources available to DoS, forwarding and transcoding processes. This configuration applies to initial deployment and tuning tasks. You may need to change the default core configuration for functionality purposes during deployment; you may decide to change core configuration for performance purposes after deployment.

**Note:**

Early versions of this software used the bootparameter named **other**, set to **isolcpus=[value]**. Remove this setting for this and all ensuing versions of Oracle® Enterprise Session Border Controller software.

## CPU Core Configuration

You can configure CPU core settings using **system-config** parameters. This configuration is based on the specific needs of individual implementations. These parameters allow you to set and change the number of cores you want to assign to forwarding, DoS, and transcoding functionality. The system determines which cores perform those functions automatically.

You can determine and manage your core configuration based on the services you need. The system allocates cores to signaling upon installation. You can add forwarding cores to match your needs for handling media. You can also add DoS and transcoding cores if you need those functions in your deployment. If you want to reduce the size of your SBC deployment footprint or if you do not need the maximum number of cores and amount of memory available, you can deploy the SBC virtually with fewer cores and memory requirements. For smaller scale deployments, the VNF software supports a deployment with 2 virtual cores, 2 GB RAM, 20GB storage, and 2 interfaces. In this way, you can tailor the virtual machine to your requirements.

Note the following:

- By default, core 0 is always set to signaling.
- The system selects cores based on function. You cannot assign cores.
- The system sets unassigned cores to signaling, with a maximum of 24.
- You must reboot the system for core configuration changes to take effect.

When you make core assignments, the Oracle® Enterprise Session Border Controller (E-SBC) provides an error message if the system detects an issue. In addition, the system performs a check when you issue the **verify-config** command to ensure that the total number of forwarding, plus DOS, plus transcoding cores does not exceed the maximum number of physical cores. After you save and activate a configuration that includes a change to the core configuration, the system displays a prompt to remind you that a reboot is required for the changes to take place.

You can verify core configuration from the ACLI, using the **show datapath-config** command or after core configuration changes during the save and activation processes. When using hyperthreading, which divides cores into a single physical (primary) and a single logical (secondary) core, this display may differ. The E-SBC binds functions to primary or secondary cores using its own criteria, with secondary cores performing signaling functions only. Hypervisors that provide a view into the type of core assigned to a function allow **show datapath-config** to display primary cores in upper-case letters and secondary cores in lower-case letters. Other hypervisors show all cores as physical.

The E-SBC uses the following lettering (upper- and lower-case) in the ACLI to show core assignments:

- S - Signaling

- D - DoS
- F - Forwarding
- X - Transcoding

The **system-config** element includes the following parameters for core assignment:

- **dos-cores**— Sets the number of cores the system must allocate for DOS functionality. A maximum of one core is allowed.
- **forwarding-cores**—Sets the number of cores the system must allocate for the forwarding engine.
- **transcoding-cores**—Sets the number of cores the system must allocate for transcoding. The default value is 0.

To change core assignments, access the **system-config**, as follows.

```
ORACLE# configure terminal
ORACLE(configure)# system
ORACLE(system)# system-config
ORACLE(system-config)#
```

Change existing core assignment settings using the **system-config** parameters in the preceding list. For example, to reserve a core for DoS processing:

```
ORACLE#(system-config) dos-cores 1
```

The Oracle® Enterprise Session Border Controller VNF has no system-based maximum number of cores, other than the range of the **system-config** parameters.

The system checks CPU core resources before every boot, as configuration can affect resource requirements. Examples of such resource requirement variations include:

- There are at least 2 CPUs assigned to signaling (by the system).
- If DoS is required, then there are at least 1 CPU assigned to forwarding and 1 to DoS.
- If DoS is not required, then there is at least 1 CPU assigned to forwarding.

The system performs resource utilization checks every time it boots for CPU, memory, and hard-disk to avoid configuration and resource conflicts.

Core configuration is supported by HA. For HA systems, resource utilization on the backup must be the same as the primary.

 **Note:**

The hypervisor always reports the datapath CPU usage as fully utilized. This isolates a physical CPU to this work load, but may cause the hypervisor to generate a persistent alarm indicating that the VM is using an excessive amount of CPU. The alarm may trigger throttling. Oracle recommends that you configure the hypervisor monitoring appropriately, to avoid throttling.

## System Shutdown

Use the system's **halt** command to gracefully shutdown the VNF.

```
ACMEPACKET# halt
```

```
-----  
WARNING: you are about to halt this SD!  
-----
```

```
Halt this SD [y/n]?:
```

See the *ACLI Reference Guide* for further information about this command.

## Small Footprint VNF

Oracle® Enterprise Session Border Controller (E-SBC) customers who want to reduce the size of their SBC deployment footprints or who may not need the maximum number of cores and amount of memory can deploy the SBC virtually with fewer cores and memory requirements. For smaller scale deployments, the VNF software supports a minimum deployment of 2 virtual cores, 4GB RAM, 20GB storage, and 2 interfaces. In this way, Oracle provides a flexible solution that you can tailor to your requirements.

Note that small footprint for VNF does not support transcoding.

## General System Information

This section explains the parameters that encompass the general system information on a Oracle® Enterprise Session Border Controller.

### System Identification

Global system identification is used primarily by the Oracle® Enterprise Session Border Controller to identify itself to other systems and for general identification purposes.

### Connection Timeouts

It is important to set administrative session timeouts on the Oracle® Enterprise Session Border Controller for security purposes. If you leave an active configuration session unattended, reconfiguration access is left open to anyone. By setting a connection timeout, only a short amount of time needs to elapse before the password is required for Oracle® Enterprise Session Border Controller access.

Timeouts determine the specified time period that must pass before an administrative connection is terminated. Any subsequent configuration activity can only be performed after logging in again to the Oracle® Enterprise Session Border Controller. The timeout parameter can be individually specified for SSH sessions and for console port sessions.

After the SSH timeout passes, the SSH session is disconnected. You must use your SSH program to log in to the Oracle® Enterprise Session Border Controller once again to perform any further configuration activity.

After the console timeout passes, the console session is disconnected. The current session ends and you are returned to the login prompt on the console connection into the Oracle® Enterprise Session Border Controller.

## Cluster Member Graceful Shutdown

When it becomes necessary to temporarily remove an Oracle Communications Session Border Controller (OCSBC) from active service, and make it available only for administrative purposes, the user issues a **set-system-state offline** ACLI command. The OCSBC begins a graceful shutdown. The shutdown is graceful in that active calls and registrations are not affected, but new calls and registrations are rejected except as discussed below. When the user issues the command, the OCSBC goes into **becoming offline** mode. Once there are no active SIP sessions and no active SIP registrations in the system, the OCSBC transitions to **offline** mode. If the OCSBC is a member of a cluster, the offline status is communicated when the user issues the **set-system-state offline** command, and the OCSBC excludes the offline OCSBC in future endpoint (re)balancing algorithms.

The graceful shutdown procedure is limited only to SIP calls and registrations.

## Detailed Description of Graceful Shutdowns with Active SIP Calls or Registrations

This is the procedure when active SIP calls or registrations are on an OCSBC.

When the system receives the **set-system-state offline** command, it transitions to **becoming offline** mode. It begins checking the number of SIP-INVITE-based sessions and the number of SIP registrations, and continues to check them when sessions complete or registrations expire while it is in **becoming offline** mode. When both counts reach zero, the system transitions to **offline mode**. If the system is a member of a Oracle Communications Subscriber-Aware Load Balancer (OCSLB) Cluster, the OCSLB client on the OCSBC changes its cluster status to the **shutdown** state, and informs the OCSLB that it is **offline**. The OCSLB ceases to forward new end-points to the OCSBC and lists the OCSBC in a **shutdown** state on the OCSLB. The OCSBC continues to send heartbeat updates to the OCSLB as before.

Active calls continue normally when the OCSBC is in **becoming offline** mode. If SIP refresh registrations arrive for endpoints that have active calls, they are accepted. However, the expiry of these endpoints is reduced to the configurable **retry-after-upon-offline** timer value (in seconds) defined under **sip-config** on the OCSBC. This timer should be configured to be a much lower time interval than originally requested by the refresh registrations, so that endpoints refresh sooner and thus the registrations expire as closely as possible to when the active call ends. If the new timer value configured in **retry-after-upon-offline** is greater than the existing registration requested refresh value, or if its value is '0' (unconfigured), the original registration refresh request is honored.

Refresh registrations for endpoints that do not have any active calls are rejected with a configurable response code defined in the **sip-config reg-reject-response-upon-offline** parameter. The default for this parameter is the **503 Service Unavailable** message. It includes a **Retry-After** header with a configurable timer set in **retry-after-**

**upon-offline.** If the value of the configuration is 0 (unconfigured), the header is not included in the rejection message. Once these refreshes are rejected, OCSBC immediately removes such endpoints from its registration cache. It is a force remove. De-registrations are forwarded to the core. There is no local response. Removals are communicated to the OCSLB.

Any new calls that arrive for endpoints that currently have registration entries are not rejected. The same **retry-after-upon-offline** action is performed.

Any other SIP methods (like SUBSCRIBE or MESSAGE) intended for this endpoint is handled normally and are not rejected. Priority calls are processed as usual by the OCSBC, regardless of whether an active registration is present in the OCSBC as long as the OCSBC is in **becoming offline** state. When the OCSBC transitions to the **offline** state, even priority calls are rejected. If the priority calls cannot be forwarded to the endpoint, a **380 Alternative Service** response may be sent, depending on the OCSBC's configuration. However, when the OCSBC achieves offline mode, even priority calls are rejected. New non-priority calls coming for endpoints that are not currently registered are rejected with the **503 Service Unavailable** error message, as has always been done.

The OCSBC sends the endpoint removal requests to the OCSLB so that the OCSLB removes them from its endpoint table. If a REGISTER message comes in with multiple contacts, it's possible that one of the contacts has an active call while others do not. In that scenario, the contact without active call has the Expires value in the Contact header changed to 0 and is forwarded to the core. When the response arrives from the core, the Contact with active call has its Expires parameter modified to the **retry-after-upon-offline** value or the UA expires value, whichever is lower. Any contact with no active calls is removed from the cache.

Eventually, all SIP calls end, and all registrations expire. The OCSBC transitions to the **offline** system state. The OCSBC continues to send heartbeat updates to the OCSLB.

At any time after the issuance of the **set-system-state offline** command, a **set-system-state online** command may be issued. If the OCSBC is in **becoming offline** mode, the process is aborted and the OCSBC again becomes **online**. The OCSBC state is forwarded to the OCSLB, and the OCSBC once again participates in the OCSLB's (re)balancing process.

## High-level Procedure for Graceful OCSBC Shutdown

This section describes the graceful shutdown procedure. Details and exceptions to this procedure when there are active calls or registrations are discussed in later paragraphs. The first six actions are performed regardless of whether or not the OCSBC is part of an Oracle Communications Subscriber-Aware Load Balancer (OCSLB) Cluster

- The OCSBC receives the **set-system-state offline** command.
- The OCSBC transitions to **becoming offline** mode.
- The OCSBC accepts calls and subscribes from registered endpoints.
- The OCSBC rejects calls from non-registered endpoints.
- The OCSBC rejects new registrations with a **503 Service Unavailable** error message.
- The OCSBC checks the number SIP INVITE based sessions and number of SIP registrations. When both counts are 0, the OCSBC transitions to the **offline** state.

 **Note:**

Previous versions only looked at active SIP sessions (calls), without monitoring active SIP registrations.

If the OCSBC is part of an OCSLB Cluster:

- The OCSLB client on the OCSBC changes its cluster status to **shutdown** state.
- The OCSBC informs the OCSLB that it is offline.
- The OCSLB ceases to forward new end-points to the OCSBC and puts the OCSBC in a shutdown state.
- OCSLB continues to forward all messages for existing registered endpoints to the offline OCSBC.
- The OCSBC continues to send heartbeat updates the OCSLB as before.

## Configuring General System Information

This section explains how to configure the general system parameters, timeouts, and the default gateway necessary to configure your Oracle® Enterprise Session Border Controller.

To configure general system information:

1. In Superuser mode, type **configure terminal** and press Enter.

```
ORACLE# configure terminal
```

2. Type **system** and press Enter to access the system-level configuration elements.

```
ORACLE(configure)# system
```

3. Type **system-config** and press Enter. The system prompt changes to let you know that you can begin configuring individual parameters.

```
ORACLE(system)# system-config  
ORACLE(system-config)#
```

The following is an example what a general system information configuration might look like. Parameters not described in this section are omitted below.

```
ORACLE(system-config)# show  
system-config  
      hostname                test1  
      description             Example SD  
      location                 Row 3, Rack 4, Slot 451  
      default-gateway          10.0.2.1  
      telnet-timeout           1000  
      console-timeout          1000  
      last-modified-date       2004-12-08 20:15:43
```



When showing a single-instance configuration element such as **system-config**, you must first use the **select** command to select the configuration element prior to viewing.

## System Identification

You must specify identification parameters for this Oracle® Enterprise Session Border Controller.

Set the following parameters to configure the system identification:

1. **hostname**—Set the primary hostname used to identify the system. This parameter is used by the software for informational purposes.
2. **description**—Enter a textual description of the system. This parameter is used for informational purposes.
3. **location**—Set a location description field for your system. This parameter is used for informational purposes. For example, you could include the site name and address of the location where the Oracle® Enterprise Session Border Controller system chassis is located.
4. **default-gateway**—Set the default gateway for this Oracle® Enterprise Session Border Controller. This is the egress gateway for traffic without an explicit destination. The application of your Oracle® Enterprise Session Border Controller determines the configuration of this parameter.

## Configuring Connection and Debug Logging Timeouts

Configure the timeouts for terminal sessions on this Oracle® Enterprise Session Border Controller. These parameters are optional.

Set the following parameters to configure the connection timeouts:

1. **telnet-timeout**—Set this timeout to the number of seconds you want the Oracle® Enterprise Session Border Controller to wait before it disconnects an SSH session. The default value is **0**. The valid range is:
  - Minimum—0
  - Maximum—65535
2. **console-timeout**—Set the console timeout to the number of seconds you want the Oracle® Enterprise Session Border Controller to wait before it ends the console session. The default value is **0**. The valid range is:
  - Minimum—0
  - Maximum—65535
3. **debug-timeout**—Set the time in seconds you want to use for the debug timeout. This is the time allowed before the Oracle® Enterprise Session Border Controller times out log levels for system processes set to debug using the ACLI **notify** and **debug** commands.

This command does not affect log levels set in your configuration (using parameters such as **system-config**, **process-log-level**) or those set using the ACLI **log-level** command.

The valid range is:

- Minimum—0
- Maximum—65535

## System Configuration

To configure system-level functionality for the Oracle® Enterprise Session Border Controller (E-SBC), you configure both physical and network interfaces as well as general system information parameters. Physical and network interfaces enable the E-SBC to communicate with any network element. General system parameters provide information for operational and identification purposes. The default gateway general system parameter is especially important because its configuration depends on the type of traffic you want the E-SBC to service.

System Configuration also includes specifying:

- SNMP—used for monitoring system health throughout a network.
- Syslogs and Process logs—used to save a list of system events to a remote server for analysis and auditing purposes.
- Host Routes—used to instruct the E-SBC host how to reach a given network that is not directly connected to a local network interface.
- Accounting—used to collect and store the information in Accountin-start and Accounting-stop messages.
- DNS—used to resolve Internet domain names to IP addresses.
- NTP synchronization—used to set both the network and software clocks to a common reference time.
- Alarms and traps—used to set the severity of system conditions and corresponding alarms.

## Configure General System Identification

The Oracle® Enterprise Session Border Controller (E-SBC) primarily uses global system identification to identify itself to other systems and for general identification purposes.

You must specify the identification parameters for the E-SBC. The first three parameters are used for informational purposes. The gateway parameter specifies the egress gateway for traffic without an explicit destination. The application of the E-SBC determines the configuration of the gateway parameter.

Set the following parameters to configure the general system identification information:

1. Access the **system-config** configuration element.

```
ORACLE# configure terminal
ORACLE(configure)# system
ORACLE(system)# system-config
ORACLE(system-config)#
```

2. In system-config, do the following:
  - hostname—Set the primary hostname used to identify the system.
  - description—Set a textual description of the system.

- location—Set a location description field for the system. For example, you might include the site name and address of the location where the system chassis is located.
  - default-gateway—Set the default gateway for the E-SBC.
3. Type **done** to save your configuration.

## Configuring Connection and Debug Logging Timeouts

Configure the timeouts for terminal sessions on this Oracle® Enterprise Session Border Controller. These parameters are optional.

Set the following parameters to configure the connection timeouts:

1. **telnet-timeout**—Set the Telnet timeout to the number of seconds you want the Oracle® Enterprise Session Border Controller to wait before it disconnects a Telnet session or an SSH session. The default value is **0**. The valid range is:
  - Minimum—0
  - Maximum—65535
2. **console-timeout**—Set the console timeout to the number of seconds you want the Oracle® Enterprise Session Border Controller to wait before it ends the console session. The default value is **0**. The valid range is:
  - Minimum—0
  - Maximum—65535
3. **debug-timeout**—Set the time in seconds you want to use for the debug timeout. This is the time allowed before the Oracle® Enterprise Session Border Controller times out log levels for system processes set to debug using the ACLI **notify** and **debug** commands.

This command does not affect log levels set in your configuration (using parameters such as **system-config>process-log-level**) or those set using the ACLI **log-level** command.

The valid range is:

- Minimum—0
- Maximum—65535

## Phy-Interfaces

Physical interfaces are device ports with which the user connects devices to networks. On the Oracle® Enterprise Session Border Controller (E-SBC), the user configures the **phy-interface** element, within the **system** branch, for the E-SBC to use physical interfaces. This section provides an overview of the configuration, and variations of configuration based on platform of the **phy-interface** element.

Physical interface types include:

- Ethernet Management - Non-service interfaces, including:
  - Primary ethernet management - IP-based access to the Command Line Interface (CLI). The interface element is often referred to as wancom0 or eth0.
  - Backup ethernet management - Additional IP-based access to the CLI.

- High Availability (HA) - Connects the active E-SBC to a redundant E-SBC; the redundant E-SBC immediately resumes signaling and media service if the active fails.
- Media - Interfaces designated for signaling and media service traffic.
- Serial - Direct interface to CLI, which also displays the system's boot sequence and alarm messaging.

The user configures the primary ethernet management and the serial interfaces using boot parameters. This ensures that those interfaces are available even if there is no configuration. The user configures media and backup ethernet management interface via the primary ethernet management interface, often referred to as either eth0 or wancom0, or the serial interface after the system boots.

Interface configuration is platform dependent, with consideration of the following platform types required for successful deployment:

- Acme Packet Platforms
- Virtual Machine Platforms
- Commercial Off the Shelf (COTS) Platforms

### Ethernet Management Interfaces

The primary ethernet management interface does not use the **phy-interface** configuration element. The E-SBC does not display the primary ethernet management interface in the configuration. Instead, the **inet on ethernet** boot parameter sets this interface's IP address. Backup ethernet management and HA interfaces require **phy-interface** configuration.

Platform considerations include:

- Acme Packet platforms:
  - The system uses the **slot** and **port** configuration to identify the physical interface within the **phy-interface** element. Configuration recommendations include setting the **phy-interface's name** parameter to a value that specifies the interface, such as s0p0 (slot 0 port 0).
  - The system defaults to an APIPA (RFC3927) address by default, which the user can change using the boot parameters.
- Virtual Machine platforms:
  - The user must map the primary ethernet management interface and set that interface's IP address during installation.
  - The Hypervisor allows the user to map all the E-SBC management interfaces to be used during the install procedure.
- COTS platforms:
  - Primary management interface is platform dependent, using the platform's integrated management application, such as ILOM, to define access to the primary management interface. Users commonly configure a static IP address on the ILOM port, which defaults to DHCP, to simplify access to the E-SBC's serial port.
  - The **interface-mapping** tools allow the user to manage the mapping between the configured **phy-interface** and the platform's network interface cards on a per-MAC address basis.

Primary and backup ethernet management interfaces access the E-SBC's CLI by default. Users can configure any or all ethernet management interfaces to carry other administrative traffic, including:

- SNMP
- SSH
- ACP/XML
- Logs sent from the Oracle® Enterprise Session Border Controller
- Boot the Oracle® Enterprise Session Border Controller from a remote file server

### Media Interfaces

All media interfaces require a **phy-interface** element configuration. The **phy-interface** name is always required and is used in subsequent configuration, including **network-interface** and **realm**. Oracle recommends using the naming convention presented in the **interface-mapping** display. Further media **phy-interface** configuration is dependent on platform, including:

- Acme Packet platforms
  - The system uses the **slot** and **port** configuration to identify the physical interface within the **phy-interface** element.
  - Interface mapping management (MACTAB) is irrelevant.
  - The **phy-interface** configuration for special NICs, including the Enhanced Traffic Control and Transcoding Cards, is the same as standard cards.
- Virtual Machine platforms
  - The **interface-mapping** tools allow the user to manage the mapping between the configured **phy-interface** and the platform's network interface cards on a per-MAC address basis.
  - Hypervisor configuration and application performance may vary based on interface architecture. Applicable architecture examples include PCI Passthrough and Paravirtualized.
  - The **phy-interface's name** parameter only specifies the name to be used in subsequent configuration.
  - The **slot**, **port**, **speed**, **duplex** and **autosense phy-interface** parameters are not relevant.
  - The Hypervisor allows the user to map all media interfaces to be used during the install procedure.
- COTS platforms
  - The **interface-mapping** tools allow the user to manage the mapping between the configured **phy-interface** and the platform's network interface cards on a per-MAC address basis.
  - The **phy-interface's name** parameter only specifies the name to be used in subsequent configuration.
  - The **slot**, and **port phy-interface** parameters are not relevant.

## Serial Interface

The serial interface provides direct access to the CLI. The user can configure the E-SBC's serial interface using boot parameters, which configure port output and speed. Platform-dependent detail includes:

- Acme Packet platforms - Serial access is available via one of two physical ports, depending on platform.
- Virtual Machine platforms - Virtual serial interface access is typically provided directly by the hypervisor. Boot parameters are irrelevant.
- COTS platforms - Virtual serial access is available from the integrated management application.

Refer to the High Availability chapter in this document for configuration description and procedures of HA interfaces. Refer to your release-specific *Installation and Platform Preparation Guide* for description and procedures on configuring boot parameters and using the **interface-mapping** tools.

## Before You Configure

This section describes steps you should take prior to configuring **phy-interfaces**.

Before you configure a **phy-interface**:

1. Decide on the number and type of **phy-interfaces** you need.  
For example, you might have one media interface connecting to a private network and one connecting to the public network. You might also need to configure maintenance interfaces for HA functionality.
2. Depending on platform, determine the slot and port numbering you need to enter for the **phy-interfaces** you want to configure. Refer to the platform-specific graphics in the *Installation and Platform Preparation Guide* for slot and port numbering reference.
3. If you are configuring your platform for HA, refer to the HA Nodes documentation and follow the instructions there for setting special parameters in the **phy-interface** configuration.

## Phy-Interface Configuration

This section describes how to configure **phy-interfaces**.

1. Access the **phy-interface** configuration element.

```
ORACLE# configure terminal
ORACLE(configure)# system
ORACLE(system)#phy-interface
ORACLE(phy-interface)#
```

2. **name**—Set a name for the interface using any combination of characters entered without spaces. For example: **s0p0**.
3. **admin-state**—Leave the administrative state parameter set to **enabled** to receive and send traffic on this interface. Select **disabled** to prevent media and signaling from being received and sent. The default for this parameter is **enabled**.

4. **operation-type**—Select the type of **phy-interface** connection to use. Refer to the appropriate platform section to identify how this parameter corresponds to an external interface. The default value is **control**. The valid values are:
  - **media**—Use this value for configuring the media interfaces which carry production traffic.
  - **maintenance**—Use this value for configuring the management **phy-interfaces**, used for management protocols or HA.
  - **control**—This legacy parameter may also be used to configure the management **phy-interfaces**.
5. **slot**—Set the slot number for this **phy-interface**. Refer to the appropriate platform section to identify how this parameter corresponds to an external interface.
6. **port**—Set the port number for this **phy-interface**. Refer to the appropriate platform section to identify how this parameter corresponds to an external interface.
7. **auto-negotiation**—Leave this parameter set to **enabled** so that the Oracle® Enterprise Session Border Controller and the device to which it is linked can automatically negotiate the duplex mode and speed for the link.

If auto-negotiation is enabled, the Oracle® Enterprise Session Border Controller begins to negotiate the link to the connected device at the duplex mode you configure. If auto-negotiation is disabled, then the Oracle® Enterprise Session Border Controller will not engage in a negotiation of the link and will operate only at the duplex mode and speed you set. The default is **enabled**. The valid values are:

  - enabled | disabled
8. **duplex-mode**—Set the duplex mode. The default is **full**; this field is only used if the auto-negotiation field is set to disabled.

Given an operating speed of 100 Mbps, full duplex mode lets both devices on a link send and receive packets simultaneously using a total bandwidth of 200 Mbps. Given the same operating speed, half duplex mode limits the devices to one channel with a total bandwidth of 100 Mbps. The valid values are:

  - half | full
9. **speed**—Set the speed in Mbps of the **phy-interfaces**; this field is only used if the auto-negotiation field is set to disabled. **100** is the default. The valid values are:
  - 10 | 100 | 1000
10. **virtual-mac**—Refer to Oracle® Enterprise Session Border Controller High Availability (HA) documentation to learn how to set this parameter on an HA interface.
11. Type **done** to save your configuration.

## Interface Utilization: Graceful Call Control, Monitoring, and Fault Management

When you enable this feature, the Oracle® Enterprise Session Border Controller monitors network utilization of its media interfaces and sends alarms when configured thresholds are exceeded. You can also enable overload protection on a per-media interface basis, where the Oracle® Enterprise Session Border Controller will prevent

call initializations during high traffic but still allow established calls to continue if traffic passes the critical threshold you define.

## Calculation Overview

When enabled to do so, the Oracle® Enterprise Session Border Controller performs a network utilization calculation for each of its media ports. This calculation takes into account rates of receiving and transmitting data, the speed at which each is taking place, and the quality of data traversing the interface. The Oracle® Enterprise Session Border Controller keeps statistics for each media port so it can compare previously- and newly-retrieved data. For heightened accuracy, calculations are performed with milliseconds (rather than with seconds).

## Alarms

In the **phy-interface** configuration, you can establish up to three alarms per media interface—one each for minor, major, and critical alarm severities. These alarms do not have an impact on your system's health score. You set the threshold for an alarm as a percentage used for receiving and transmitting data.

For example, you might configure the following alarms:

- Minor, set to 50%
- Major, set to 70%
- Critical, Set to 90%

When the utilization percentage hits 50%, the system generates a minor alarm. At 70%, the system clears the minor alarm and issues a major one. And at 90%, the system clears the major alarm and issues a critical one. At that point, if you have overload protection enabled, the system will drop call initiations but allow in-progress calls to complete normally.

To prevent alarm thrashing, utilization must remain under the current alarm threshold for 10 seconds before the system clears the alarm and rechecks the state.

## Alarm Configuration

This section shows you how to configure alarm thresholds and overload protection per media interface.

### Configuring Utilization Thresholds for Media Interfaces

To configure utilization thresholds for media interfaces:

1. In Superuser mode, type **configure terminal** and press Enter.

```
ORACLE# configure terminal  
ORACLE(configure)#
```

2. Type **system** and press Enter.

```
ORACLE(configure)# system  
ORACLE(system)#
```



3. Type **phy-interface** and press Enter. **If you are adding this feature to an existing configuration, then remember you must select the configuration you want to edit.**

```
ORACLE(system)# phy-interface
ORACLE(phy-interface)#
```

4. Type **network-alarm-threshold** and press Enter.

```
ORACLE(phy-interface)# network-alarm-threshold
ORACLE(network-alarm-threshold)#
```

5. **severity**—Enter the severity for the alarm you want to fine for this interface: **minor** (default), **major**, or **critical**. Since the parameter defaults to minor, you must change the value if you want to define a major or critical alarm.
6. **value**—Enter the percentage of utilization (transmitting and receiving) for this interface that you want to trigger the alarm. For example, you might define a minor alarm with a utilization percentage of 50. Valid values are between 0 and 100, where 0 is the default.
7. Save your work.

## Configuring Graceful Call Control

You can enable the Oracle® Enterprise Session Border Controller to stop receiving session-initiating traffic on a media interface when the traffic for the interface exceeds the critical threshold you define for it.

To enable graceful call control:

1. In Superuser mode, type **configure terminal** and press Enter.

```
ORACLE# configure terminal
ORACLE(configure)#
```

2. Type **system** and press Enter.

```
ORACLE(configure)# system
ORACLE(system)#
```

3. Type **phy-interface** and press Enter. **If you are adding this feature to an existing configuration, then remember you must select the configuration you want to edit.**

```
ORACLE(system)# phy-interface
ORACLE(phy-interface)#
```

4. **overload-protection**—Change this parameter's value to enabled if you want to turn graceful call control on. Leave it set to disabled (default) if you do not want to use this feature.
5. Save your work.

## Network Interfaces

The network interface element specifies a logical network interface. In order to use a network port on a network interface, you must configure both the **phy-interface** and the corresponding network interface configuration elements. If the network interface does not use VLANs tagging, ensure that the **sub-port-id** parameter is set to 0, the default value. When VLAN tags are used on a network interface, the valid **sub-port-id** value can range from 1-4096. The combination of the **name** parameter and the **sub-port-id** parameter must be unique in order to identify a discrete network interface.

## IP Configuration

A Oracle® Enterprise Session Border Controller network interface has standard parameters common to nearly all IP network interfaces. There are a few fields that are unique to the Oracle® Enterprise Session Border Controller.

## VLANs

VLANs are used to logically separate a single **phy-interface** into multiple network interfaces. There are several applications for this like MPLS VPNs (RFC 2547), MPLS LSPs, L2VPNs (IPSec, L2TP, ATM PVCs), reusing address space, segmenting traffic, and maximizing the bandwidth into a switch or router. The range of services and management capabilities you can implement with VPNs is huge.

The primary applications of VLANs on the Oracle® Enterprise Session Border Controller are VPNs and peering. Several peering partners may terminate their connections to a Oracle® Enterprise Session Border Controller on a single **phy-interface**. VLAN tags are used to segregate and correctly route the terminated traffic. The Oracle® Enterprise Session Border Controller can support a maximum of 1024 VLANs per **phy-interface**. Ingress packets that do not contain the correct VLAN tag will be dropped. All packets exiting on an egress interface will have the VLAN tag appended to them.

The Oracle® Enterprise Session Border Controller can be included in an MPLS network through its connectivity to a PE router, which maps a MPLS VPN label to an 802.1q VLAN tag. Each Oracle® Enterprise Session Border Controller can terminate different 802.1q VLANs into separate network interfaces, each of which can represent a different customer VPN.

## Overlapping Networks

Overlapping networks are when two or more private networks with the same addressing schemes terminate on one **phy-interface**. The problem this creates can easily be solved by using VLAN tagging. For example, two 10.x.x.x networks terminating on one Oracle® Enterprise Session Border Controller network interface will obviously not work. The Oracle® Enterprise Session Border Controller includes the IP Address, Subnet Mask, and 802.1q VLAN tag in its Network Interface determination. This allows Oracle® Enterprise Session Border Controller to directly interface to multiple VPNs with overlapping address space.

## Administrative Applications Over Media Interfaces

By default, the Oracle® Enterprise Session Border Controller's ICMP, SNMP, and SSH services cannot be accessed via the media interfaces. In order to enable these services, you must explicitly configure access by identifying valid source addresses for the specific applications. Doing such uses the Oracle® Enterprise Session Border Controller's host-in-path (HIP) functionality.

When traffic is received on media interfaces, it is scanned for ICMP, SNMP, or SSH packets. The configuration is set to identify the possible IP addresses where that traffic may be sourced from. When a match is made among packet type and source address, those packets are forwarded through the media interfaces to the processes running on the system's CPU.

Each media **network-interface**'s gateway should be configured so that off-subnet return traffic can be forwarded out the appropriate media interface. Also, it is advisable that no overlapping networks are configured between any media network interface and the administrative interfaces (wancom).

## Configurable MTU Size

Configurable MTU on per network-interface basis enables the user to set a different MTU on each network interface. It also enables the user to set a system wide default MTU for IPv6 and IPv4 network interfaces. System wide defaults can be set in **system-config** configuration object by setting **ipv6-signaling-mtu** or **ipv4-signaling-mtu**. Defaults are 1500 for both IPv6 and IPv4.

These settings can be overwritten for each network interface by setting **signaling-mtu** in **network-interface** configuration object. Default is 0 – meaning use the system wide MTU.

This feature applies to all Signaling packets generated by the Oracle® Enterprise Session Border Controller. All UDP packets greater than the MTU will be fragmented. For all TCP connections we advertise MSS (Maximum Segment Size) TCP option in accordance with the configured MTU. MSS option is sent in SYN and SYN/ACK packets to let the other side of the TCP connection know what your maximum segment size is. This ensures that no TCP packet is greater than the configured MTU.

1. MTU settings do not apply to media packets.
2. UDP: MTU settings apply only to packets sent by the Oracle® Enterprise Session Border Controller. The Oracle® Enterprise Session Border Controller will continue to process received packets even if they exceed to the configured MTU.
3. Security Phy (IPsec) hardware only; We subtract 100 bytes from the configured MTU to allow for extra headers added by security protocols. This happens even when Security Phy (IPsec) is in clear mode (no security is being applied). Due to hardware limitations of the Security Phy (IPsec) it only allows one MTU per physical port. The maximum MTU of all network interfaces on a given physical port will be used as the MTU for that physical port.
4. The Call Recording feature is where we make a copy of a packet, encapsulate it in an IP-in-IP header and send it to a configured Call Recording Server (CRS). When Call Recording is enabled, to allow space for IP-in-IP encapsulation we reduce the MTU of the original packets to be the lesser of the two options listed below.
  - Original Destination network MTU minus size of IP-in-IP header.

- CRS network interface's MTU minus size of IP-in-IP header.

 **Note:**

This will ensure that the traffic sent to the CRS will be within the MTU constraints of CRS' network-interface.

## Network Interface Configuration

This section explains how to access and configure network interface.

### Special Considerations

Configuration changes to network interface parameters might have an impact on boot configuration parameters. After configuring the network interface, you might receive a message indicating that you could be changing boot config parameters under the following circumstances:

- A **phy-interface** or network interface element matches the boot interface (for example, the physical port is the same as the boot port).
- The boot configuration parameters are modified, because the IPv4 address, netmask, or gateway is different from the corresponding boot configuration parameters.

You are asked if you want to continue. If you enter yes, the configuration will be saved and then the differing boot configuration parameters will be changed. If you enter no, then the configuration is not saved and the boot configuration parameters are not changed.

Configuring the **phy-interface** and **network interface** elements for the first management interface is optional because that interface, eth0, is implicitly created by a valid bootparam configuration that specifies the boot device, IPv4 address, subnet, and gateway.

## Network Interfaces Configuration

This section describes how to configure a network interface.

- Access the **network-interface** configuration element.

```
ORACLE# configure terminal
ORACLE(configure)# system
ORACLE(system)# network-interface
ORACLE(network-interface)
```

### IP Configuration and Identification

You must specify the identity and address for all network interfaces.

Set the following parameters to configure a network interface:

1. **name**—Set the name for the network interface. This must be the same name as the **phy-interface** to which it corresponds.

2. **description**—Enter a description of the network for easier identification.
3. **hostname**—Set the hostname (FQDN) of this network interface. This parameter is optional.
4. **ip-address**—Set the IP address of this network interface.
5. **netmask**—Set the netmask of this network interface in dotted decimal notation.
6. **gateway**—Set the gateway that this network interface uses to communicate with the next hop.
7. **sec-gateway**—Set an additional optional gateway for this network interface
8. **dns-ip-primary**—Set the DNS servers. You can set an additional two DNS servers by using the **dns-ip-backup1** and **dns-ip-backup2** parameters.
9. **dns-domain**—Set the default domain name.
10. **signaling-mtu**—Sets the MTU size for IPv4 or IPv6 transmission.

## VLAN Configuration

One parameter is required to configure VLANs on a Oracle® Enterprise Session Border Controller. The **sub-port-id** parameter located in the **network-interfaces** element adds and masks for a specific VLAN tag.

- **sub-port-id**—Enter the identification of a specific virtual interface in a **phy-interface** (e.g., a VLAN tag). If this network interface is not channelized, leave this field blank, and the value will correctly default to **0**. The **sub-port-id** is only required if the operation type is Media. The valid range is:
  - Minimum—0
  - Maximum—4095.

## HIP Address Configuration

To configure administrative service functionality on a media interface, you must first define all source IP addresses in the media-interface's network that will exchange administrative traffic with the system. Next you will identify the type of administrative traffic each of those addresses will exchange.

You must configure the **gateway** parameter on this **network-interface** for administrative traffic to successfully be forwarded. You should also ensure that this network interface is not on an overlapping network as any of the administrative networks (wancoms).

Set the following parameters to configure HIP functionality on a network interface:

1. **add-hip-ip**—Configure all possible local IP address(es) to which a remote system can send administrative traffic. This parameter specifies addresses that can reply to requests. You must also configure them in a service list, such as **add-icmp-ip**, to specify the service to which they can reply. This parameter can accept multiple IP addresses. You can later remove this entry by typing **remove-hip-ip** followed by the appropriate IP address.
2. **add-ftp-ip**—Set the IP address(es) that will access the E-SBC's FTP server. This allows standard FTP packets enter the E-SBC and reach the host. You can later remove this entry by typing **remove-ftp-ip** followed by the appropriate IP address.

3. **add-icmp-ip**—Set all possible local IP address(es) to which a remote system can ping the E-SBC and expect replies. You must also configure these addresses to the **add-hip-ip** parameter. You can later remove this entry by typing **remove-icmp-ip** followed by the appropriate IP address.

For security, if the ICMP address and the hip-ip-list are not added for an address, the E-SBC hardware discards ICMP requests or responses for the address.

4. **add-snmp-ip**—Set the IP address(es) that will access the system's SNMP process. This lets SNMP traffic enter the E-SBC and reach the host. You can later remove this entry by typing **remove-snmp-ip** followed by the appropriate IP address.
5. **add-telnet-ip**—Set the IP address(es) that can connect and access the system through Telnet. You can later remove this entry by typing **remove-telnet-ip** followed by the appropriate IP address.
6. **add-ssh-ip**—Set the IP address(es) that can connect and access the system through SSH. You can later remove this entry by typing **remove-SSH-ip** followed by the appropriate IP address.

## Configurable MTU Size

Configurable MTU on per network-interface basis enables the user to set a different MTU on each network interface. It also enables the user to set a system wide default MTU for IPv6 and IPv4 network interfaces. System wide defaults can be set in **system-config** configuration object by setting **ipv6-signaling-mtu** or **ipv4-signaling-mtu**. Defaults are 1500 for both IPv6 and IPv4.

These settings can be overwritten for each network interface by setting **signaling-mtu** in **network-interface** configuration object. Default is 0 – meaning use the system wide MTU.

This feature applies to all Signaling packets generated by the Oracle® Enterprise Session Border Controller. All UDP packets greater than the MTU will be fragmented. For all TCP connections we advertise MSS (Maximum Segment Size) TCP option in accordance with the configured MTU. MSS option is sent in SYN and SYN/ACK packets to let the other side of the TCP connection know what your maximum segment size is. This ensures that no TCP packet is greater than the configured MTU.

1. MTU settings do not apply to media packets.
2. UDP: MTU settings apply only to packets sent by the Oracle® Enterprise Session Border Controller. The Oracle® Enterprise Session Border Controller will continue to process received packets even if they exceed to the configured MTU.
3. Security Phy (IPsec) hardware only; We subtract 100 bytes from the configured MTU to allow for extra headers added by security protocols. This happens even when Security Phy (IPsec) is in clear mode (no security is being applied). Due to hardware limitations of the Security Phy (IPsec) it only allows one MTU per physical port. The maximum MTU of all network interfaces on a given physical port will be used as the MTU for that physical port.
4. The Call Recording feature is where we make a copy of a packet, encapsulate it in an IP-in-IP header and send it to a configured Call Recording Server (CRS). When Call Recording is enabled, to allow space for IP-in-IP encapsulation we reduce the MTU of the original packets to be to be the lesser of the two options listed below.
  - Original Destination network MTU minus size of IP-in-IP header.

- CRS network interface's MTU minus size of IP-in-IP header.

 **Note:**

This will ensure that the traffic sent to the CRS will be within the MTU constraints of CRS' network-interface.

## System Wide MTU Size

To change system wide MTU settings:

1. Access the **system-config** configuration element.

```
ORACLE# configure terminal
ORACLE(configure)# system
ORACLE(system)# system-config
ORACLE(system-config)#
```

2. Type **select** to begin editing the **system-config** object.

```
ORACLE(system-config)# select
ORACLE(system-config)#
```

3. **ipv6-signaling-mtu** or **ipv4-signaling-mtu** Configure MTU in the system config and optionally in the network interface. Default will be 1500 bytes.

```
ORACLE(system-config)# ipv6-signaling-mtu 1500
ORACLE(system-config)# ipv4-signaling-mtu 1600
```

4. Type **done** to save your configuration.

## IP Identification (ID) Field

By default, non-fragmented UDP packets generated by media interfaces have the ID field set to 0. You can configure the Oracle® Enterprise Session Border Controller to populate this field with an incrementing value by adding the **increment-ip-id** option in the media manager. Every non-fragmented packet sent will have its ID increased by one from the previous packet sent.

Using a packet trace application, egress packets from the Oracle® Enterprise Session Border Controller will have an ID field that appears to be incrementing. Enabling the ID field can help distinguish a retransmitted non-fragmented application layer packet from a packet retransmitted by the network layer in monitoring or lab situations.

## IP Identification Field Configuration

To enable ID field generation in media-manager:

1. In Superuser mode, type **configure terminal** and press Enter.

```
ORACLE# configure terminal
ORACLE(configure)#
```



2. Type **media-manager** and press Enter.

```
ORACLE(configure)# media-manager  
ORACLE(media-manager)#
```

3. **options**—Set the options parameter by typing **options**, a Space, the option name **increment-ip-id** with a plus sign in front of it, and then press Enter.

```
ORACLE(media-manager)# options + increment-ip-id
```

If you type the option without the plus sign, you will overwrite any previously configured options. In order to append the new options to the realm configuration's options list, you must prepend the new option with a plus sign as shown in the previous example.

4. Save and activate your configuration.

## SNMP

The Simple Network Management Protocol (SNMP) is a part of the Internet Protocol Suite, defined by the Internet Engineering Task Force (IETF). It allows you to monitor system and health conditions for an Oracle® Enterprise Session Border Controller (E-SBC) through an external network management (northbound) system, such as the Oracle Communications Session Delivery Manager or an SNMP manager. The system supports SNMPv3, v2 or v1 to interface with a range of external NMS systems.

Detail on SNMP operation, configuration and data is documented in the *Oracle Communications Session Border Controller MIB Reference Guide*. The first chapter of the Oracle Communications SNMP Reference Guide provides a configuration overview and procedures. The rest of the guide serves as a reference for the MIB.

### SNMP Configuration

SNMP configuration on the E-SBC typically includes defining:

- Administrative management information
- SNMP messaging, including:
  - Trap information—Sent by the E-SBC to the northbound system, similar to alarms.
  - System detail information—Collected by the northbound system from the E-SBC. This is typically referred to as read operation.
  - System detail information—Configured by the northbound system on the E-SBC. This is typically referred to as write operation.

### SNMP Data

You must understand SNMP data to determine your actions when you see it. SNMP data is organized into a hierarchical numbering scheme in the form of Object Identifiers (OIDs). OIDs are collected and presented within the context of Management Information Bases (MIBs). A text file external to the E-SBC system code called a miboid maintains a correlation between object numbers and text names. The system code and miboid numbers correlate each OID to a software or hardware construct that typically has a value and is of interest to the people who monitor them. A set



of .mib text files contain the data presented to the human user, referenced by the object names, for each hierarchical information group. You get the applicable files from the device vendor and load them into SNMP managers

OID numbering is, to a large extent, defined and managed by the IETF. This management benefits equipment vendors by preventing information conflation and identifier overlaps. Similar to a MAC address, the IETF provides equipment vendors with numerical identities under which they can create their own hierarchical schemes and define their systems' SNMP information. An example of vendor-specific information is a configuration parameter's value. Similarly, the IETF maintains and shares standard numerical hierarchies used by all equipment vendors so they do not have to create them. An example of standard information is interface speed.

## Syslog and Process Logs

Logging events is a critical part of diagnosing misconfigurations and optimizing operations. Oracle® Enterprise Session Border Controllers can send both syslog and process log data to appropriate hosts for storage and analysis.

### Overview

The Oracle® Enterprise Session Border Controller generates two types of logs, syslogs and process logs. Syslogs conform to the standard used for logging servers and processes as defined in RFC 3164.

Process logs are Oracle proprietary logs. Process logs are generated on a per-task basis and are used mainly for debugging purposes. Because process logs are more data inclusive than syslogs, their contents usually encompass syslog log data.

Syslog and process log servers are both identified by an IPv4 address and port pair.

### Process Log Messages

Process log messages are sent as UDP packets in the following format:

```
<file-name>:<log-message>
```

In this format, <filename> indicates the log filename and <log-message> indicates the full text of the log message as it would appear if it were written to the normal log file.

## Syslog and Process Logs Configuration

This section describes how to configure syslog and process log servers.

To configure syslogs and process logs:

1. In Superuser mode, type **configure terminal** and press Enter.

```
ORACLE# configure terminal
```

2. Type **system** and press Enter to access the system-level configuration elements.

```
ORACLE(configure)# system
```

3. Type **system-config** and press Enter. The system prompt changes to let you know that you can begin configuring individual parameters.

```
ORACLE(system)# system-config
ORACLE(system-config)#
```

From this point, you can set process log parameters. Skip to the following process log configuration section.

4. Type **syslog-server** and press Enter. The system prompt changes to let you know that you can begin configuring individual syslog parameters

```
ORACLE(system-config)# syslog-server
ORACLE(syslog-config)#
```

From this point, you can set syslog parameters. The following is an example what an syslog and process log configuration might look like. Parameters not described in this section are omitted below.

```
system-log-level          WARNING
syslog-server
  address                 172.15.44.12
  port                   514
  facility                4
process-log-level        NOTICE
process-log-ip-address   0.0.0.0
process-log-port         0
```

## Syslog Configuration

The Oracle® Enterprise Session Border Controller supports multiple syslog servers. As the number of active syslog increases, the performance level of the Oracle® Enterprise Session Border Controller may decrease. Therefore, we recommend configuring no more than 8 syslog servers.

Set the following parameters to configure syslog servers:

1. **address**—Set the IPv4 address of a syslog server.
2. **port**—Set the port portion of the syslog server. The default is **514**.
3. **facility**—Set an integer to identify a user-defined facility value sent in every syslog message from the Oracle® Enterprise Session Border Controller to the syslog server. This parameter is used only for identifying the source of this syslog message as coming from the Oracle® Enterprise Session Border Controller. It is not identifying an OS daemon or process. The default value for this parameter is **4**. RFC 3164 specifies valid facility values.

In software release versions prior to Release 1.2, the Oracle® Enterprise Session Border Controller would send all syslog messages with a facility marker of 4.

4. **system-log-level**—Set which log severity levels write to the system log (filename: acmelog). The default is **WARNING**. Valid values are:
  - EMERGENCY | CRITICAL | MAJOR | MINOR | WARNING | NOTICE | INFO | TRACE | DEBUG | DETAIL

## Configure the Process Log Server

Set the following parameters to configure the process log server:

1. **process-log-level**—Set the starting log level all processes running on the system use. Each individual process running on the system has its own process log. The default is **NOTICE**. Valid values: EMERGENCY | CRITICAL | MAJOR | MINOR | WARNING | NOTICE | INFO | TRACE | DEBUG | DETAIL
2. **process-log-ip-address**—Set the IPv4 address of the process log server. The default value is **0.0.0.0**, which causes the system to write log messages to the normal log file.
3. **process-log-port**—Set the port number associated with the process log server. The default value is **0**, which causes the system to write log messages to the normal log file. The valid range is: 1025-65535.

## Host Routes

Host routes let you insert entries into the Oracle® Enterprise Session Border Controller's routing table. These routes affect traffic that originates at the Oracle® Enterprise Session Border Controller's host process. Host routes are used primarily for steering management traffic to the correct network.

When traffic is destined for a network that is not explicitly defined on a Oracle® Enterprise Session Border Controller, the default gateway (located in the **system-config**) is used. If you try to route traffic to a specific destination that is not accessible through the default gateway, you need to add a host route. Host routes can be thought of as a default gateway override.

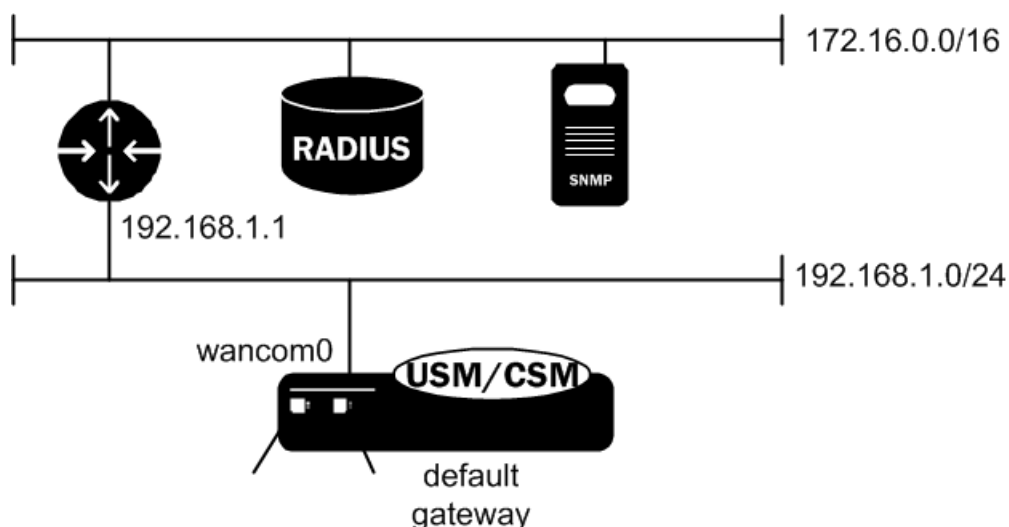
Certain SIP configurations require that the default gateway is located on a media interface. In this scenario, if management applications are located on a network connected to an administrative network, you will need to add a host route for management connectivity.

### Note:

Do not configure a **host-route, gateway** with an address already used for any existing **network-interface, gateway**.

## Host Routes Example

When you enable SIP signaling over media interfaces, the default gateway uses an IPv4 address assigned to a media interface. Maintenance services (SNMP and Radius) are located on a network connected to, but separate from, the 192.168.1.0/24 network on wancom0. To route Radius or SNMP traffic to an NMS (labeled as SNMP in the following example), a host route entry must be a part of the Oracle® Enterprise Session Border Controller configuration. The host route tells the host how to reach the 172.16.0.0/16 network. The actual configuration is shown in the example in the next section of this guide.



## Host Route Configuration

To configure a host route:

1. Access the **host-route** configuration element.

```
ORACLE# configure terminal
ORACLE(configure)# system
ORACLE(system)# host-route
ORACLE(host-route)#
```

2. **dest-network**—Set the IP address of the destination network that this host route points toward.
3. **netmask**—Set the netmask portion of the destination network for the route you are creating. The netmask is in dotted decimal notation.
4. **gateway**—Set the gateway that traffic destined for the address defined in the first two elements should use as its first hop.
5. Type **done** to save your configuration.

## Setting Holidays in Local Policy

This section explains how to configure holidays on the Oracle® Enterprise Session Border Controller.

You can define holidays that the Oracle® Enterprise Session Border Controller recognizes. Holidays are used to identify a class of days on which a local policy is enacted. All configured holidays are referenced in the **local-policy-attributes** configuration subelement as an H in the **days-of-week** parameter. Because holidays are entered on a one-time basis per year, you must configure a new set of holidays yearly.

## Holidays Configuration

To configure holidays:

1. In Superuser mode, type **configure terminal** and press Enter.

```
ORACLE# configure terminal
```

2. Type **session-router** and press Enter to access the system-level configuration elements.

```
ORACLE(configure)# session-router
```

3. Type **session-router-config** and press Enter. The system prompt changes to let you know that you can begin configuring individual parameters.

```
ORACLE(session-router)# session-router-config
ORACLE(session-router-config)#
```

4. Type **holidays** and press Enter. The system prompt changes to let you know that you can begin configuring individual parameters.

```
ORACLE(session-router-config)# holidays
ORACLE(session-router-holidays)#
```

From this point, you can configure the holidays subelement. To view all holidays parameters, enter a **?** at the system prompt.

```
holiday
          date                2005-01-01
          description         New Years Day
```

To configure a holiday, add an entry for the following parameters in the holidays element:

5. **date**—Enter the holiday's date in YYYY-MM-DD format.
6. **description**—Enter a short description for the holiday you are configuring. If the description contains words separated by spaces, enter the full description surrounded by quotation marks.

## Opening TCP Ports 3000 and 3001

This section explains how to open TCP ports 3000 and 3001 primarily for use with an element manager.

- TCP ports 3000 (used when notify commands are issued remotely, i.e. via an element management system) and 3001 (used for remote configuration, i.e. via an element management system), can be enabled or disabled in the system configuration

This configuration is not RTC enabled, so you must reboot your Oracle® Enterprise Session Border Controller for changes to take effect.

## Enable System to Connect to SDM

To control TCP ports 3000 and 3001 in the system configuration:

1. Access the **security-config** configuration element.

```
ORACLE# configure terminal
ORACLE(configure)# security
ORACLE(security)# security-config
ORACLE(security-config)#
```

2. Type **select** to begin editing the **system-config** object.

```
ORACLE(system-config)# select
ORACLE(system-config)#
```

3. The parameter controlling ports 3000 and 3001 is called **remote-control**, and its default is enabled. To disable the ports, set this parameter to disabled.

```
ORACLE(system-config)# remote-control disabled
```

4. Type **done** to save your configuration.
5. Reboot your Oracle® Enterprise Session Border Controller. Type a **y** and press Enter to reboot.

```
ORACLE# reboot
-----
WARNING: you are about to reboot this SD!
-----
Reboot this SD [y/n]?:y
```

## DNS on the OCSBC

DNS service is best known for providing resolution of internet domain names to IP addresses. Domain names are easy to remember, but connections require IP addresses. DNS deployments can also provide more comprehensive services, if required. For example, the a DNS client may need the resolution of multiple IP addresses to a single domain name, or the types of service provided by a given server. The Oracle® Enterprise Session Border Controller (E-SBC) uses DNS predominantly for resolving FQDNs to IP addresses so that it can support sessions.

When configured, the E-SBC performs DNS client functions per RFC1034 and RFC1035. The user can define one primary DNS server and two backup DNS servers for the E-SBC to query a domain for NAPTR (service/port), SRV (FQDN), AAAA (IPv6), and A (IP address) information. A common example of the E-SBC using DNS is to locate a SIP server via server location discovery, as described in RFC 3263. An applicable context is identifying a callee so the E-SBC can place a call.

There are multiple reasons for the E-SBC to query a DNS server. In each case, the E-SBC follows this high level procedure:

1. The system determines the egress realm.
2. The system identifies the egress network interface.
3. From the egress network interface, the system refers to the configured DNS server(s).

4. The system issues the DNS query to the primary server, then any configured backup servers, based on the function and the initial information it has.
5. The system performs recursive lookups or subsequent queries based on, for example, information provided in NAPTR resource responses, until it has one or more resolutions for the FQDN.
6. The system continues processing using the resolved FQDN(s) or indicates it cannot reach that FQDN.

**Note:**

DNS queries may require host routes.

The E-SBC also has a DNS Application Layer Gateway (ALG) function that operates independently of its client function. See the DNS ALG Chapter in this document for information about using this ALG.

Closely related to DNS, ENUM service also provides a method of defining a target endpoint, translating E.164 phone numbers to FQDNs. The E-SBC uses configured ENUM objects for routing calls. ENUM uses Naming Authority Pointers (NAPTR) records defined in RFC 2915 in order to identify available ways or services for contacting a specific node identified through the E.164 number. See the Session Routing and Load Balancing chapter for information on ENUM services and configuration.

The E-SBC can cache NAPTR, SRV and A records to speed up DNS and ENUM query processes. The user configures the applicable enum-config to cache these records, providing ENUM and, when configured, DNS with applicable resolutions without having to re-query a server. These resolutions become available to all internal lookup processes that may be generated within the E-SBC.

## DNS Configuration

DNS configuration includes procedures to the **network-interface**, **realm-config**, and **session-agent** elements.

To make DNS operational, configure addressing that is version compatible to the **network-interface** address on the network interface itself.

1. Access the **network-interface** configuration element.

```
ORACLE# configure terminal
ORACLE(configure)# system
ORACLE(system)# network-interface
ORACLE(network-interface)
```

2. **dns-ip-primary**—Set the first DNS server with which the interface conducts query procedures.
3. **dns-ip-backup1**—Set the second DNS server with which the interface conducts query procedures should the first server fail.
4. **dns-ip-backup2**—Set the third DNS server with which the interface conducts query procedures should the second server fail.

The system performs DNS query procedures with these servers every time processing encounters an FQDN for which the system needs resolution.

Review the ensuing sections and configure DNS components to refine DNS operation to your environment, including interface, realm, session agent, and ENUM operation refinement.

## Retransmission Logic

The retransmission of DNS queries is controlled by three timers. These timers are derived from the configured DNS timeout value and from underlying logic that the minimum allowed retransmission interval should be 250 milliseconds; and that the Oracle® Enterprise Session Border Controller should retransmit 3 times before timing out to give the server a chance to respond.

- Init-timer is the initial retransmission interval. If a response to a query is not received within this interval, the query is retransmitted. To safeguard from performance degradation, the minimum value allowed for this timer is 250 milliseconds.
- Max-timer is the maximum retransmission interval. The interval is doubled after every retransmission. If the resulting retransmission interval is greater than the value of max-timer, it is set to the max-timer value.
- Expire-timer: is the query expiration timer. If a response is not received for a query and its retransmissions within this interval, the server will be considered non-responsive and the next server in the list will be tried.

The following examples show different timeout values and the corresponding timers derived from them.

```
timeout >= 3 seconds
Init-timer = Timeout/11
Max-Timer = 4 * Init-timer
Expire-Timer = Timeout
timeout = 1 second
Init-Timer = 250 ms
Max-Timer = 250 ms
Expire-Timer = 1 sec
timeout = 2 seconds
Init-Timer = 250 ms
Max-Timer = 650 ms
Expire-Timer = 2sec
```

## DNS Support for IPv6

The Oracle® Enterprise Session Border Controller supports the DNS resolution of IPv6 addresses; in other words, it can request the AAAA record type (per RFC 1886) in DNS requests. In addition, the Oracle® Enterprise Session Border Controller can make DNS requests over IPv6 transport so that it can operate in networks that host IPv6 DNS servers.

For mixed IPv4-IPv6 networks, the Oracle® Enterprise Session Border Controller follows these rules:



- If the realm associated with the name resolution is an IPv6 realm, the Oracle® Enterprise Session Border Controller will send the query out using the AAAA record type.
- If the realm associated with the name resolution is an IPv4 realm, the Oracle® Enterprise Session Border Controller will send the query out using the A record type.

In addition, heterogeneous address family configuration is prevented for the **dns-ip-primary**, **dns-ip-backup1**, and **dns-ip-backup2** parameters.

## DNS Transaction Timeout

This section explains how to configure the DNS transaction timeout interval on a per network-interface basis. You can currently configure the Oracle® Enterprise Session Border Controller with a primary and two optional backup DNS servers. The Oracle® Enterprise Session Border Controller queries the primary DNS server and upon not receiving a response within the configured number of seconds, queries the backup1 DNS server and if that times out as well, then contacts the backup2 DNS server.

## DNS Transaction Timeout Configuration

To configure DNS transaction timeout:

1. In Superuser mode, type **configure terminal** and press Enter.

```
ORACLE# configure terminal
```

2. Type **system** and press Enter to access the system-level configuration elements.

```
ORACLE(configure)# system
```

3. Type **network-interface** and press Enter. The system prompt changes to let you know that you can begin configuring individual parameters.

```
ORACLE(system)# network-interface  
ORACLE(network-interface)#
```

From this point, you can configure network interface parameters. To view all network interface parameters, enter a **?** at the system prompt.

4. **dns-timeout**—Enter the total time in seconds you want to elapse before a query (and its retransmissions) sent to a DNS server would timeout. The default is **11** seconds. The valid range is:

- Minimum—1
- Maximum—999999999.

If a query sent to the primary DNS server times out, the backup1 DNS server is queried. If the query times out after the same period of time elapses, the query continues on to the backup2 DNS server.

5. Save and activate your configuration.

## DNS Entry Maximum TTL

DNS maximum time to live (TTL) is user-configurable and complies with RFCs 1035 and 2181.

One can set the DNS maximum TTL on the Oracle® Enterprise Session Border Controller permitting the DNS entry information to be held until that time is exceeded. One can specify the **dns-max-ttl** parameter per network interface and/or to support the DNS ALG feature. The default value is 86400 seconds (24 hours). When the Oracle® Enterprise Session Border Controller configured maximum value has been exceeded, the DNS TTL value is set to the configured maximum and a log entry is written. Otherwise the Oracle® Enterprise Session Border Controller honors the lower value in the DNS response. The Oracle® Enterprise Session Border Controller restricts all DNS entries minimum TTL value of 30 seconds, which the system's implementation of SIP requires.

### DNS Entry Max TTL Configuration per Network Interface

Set parameter for DNS entry maximum time to live (TTL) value per network interface.

1. Access the **network-interface** configuration element.

```
ORACLE# configure terminal
ORACLE(configure)# system
ORACLE(system)# network-interface
ORACLE(network-interface)
```

2. Select the **network-interface** object to edit.

```
ORACLE(network-interface)# select
<name>:<sub-port-id>:
1: wancom0:0 ip=10.0.0.2 gw=10.0.4.1

selection: 1
ORACLE(network-interface)#
```

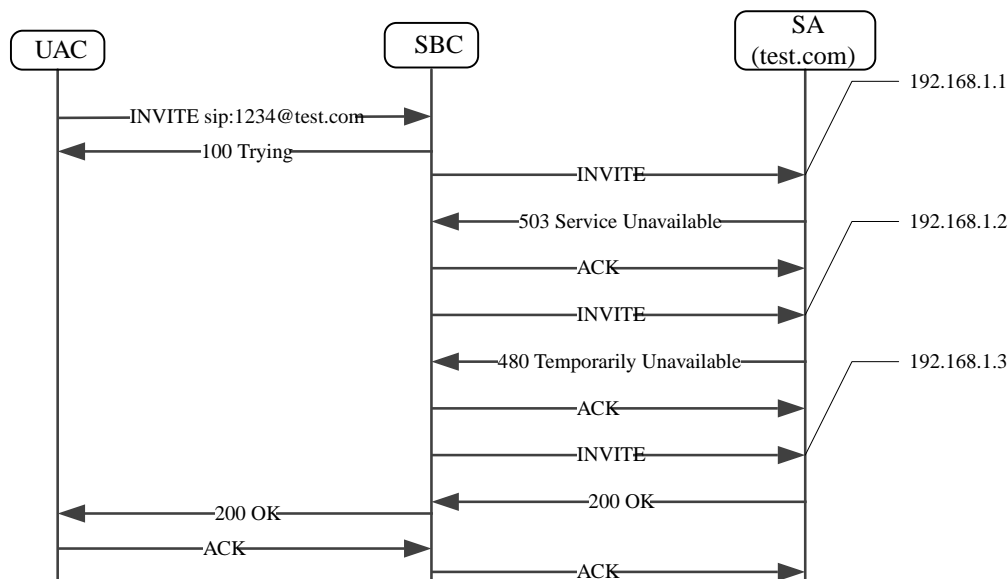
3. **dns-max-ttl**— set to the maximum time for a DNS record to remain in cache.
  - **Minimum: 30**— The lowest value to which the **dns-max-ttl** parameter can be set (in seconds)
  - **Maximum: 2073600**— The maximum value (in seconds) for which the **dns-max-ttl** parameter can be set.
  - **Default: 86400**— The value in seconds which the system uses by default.
4. Type **done** to save your configuration.

### DNS-SRV Session Agent Recursion Error Handling

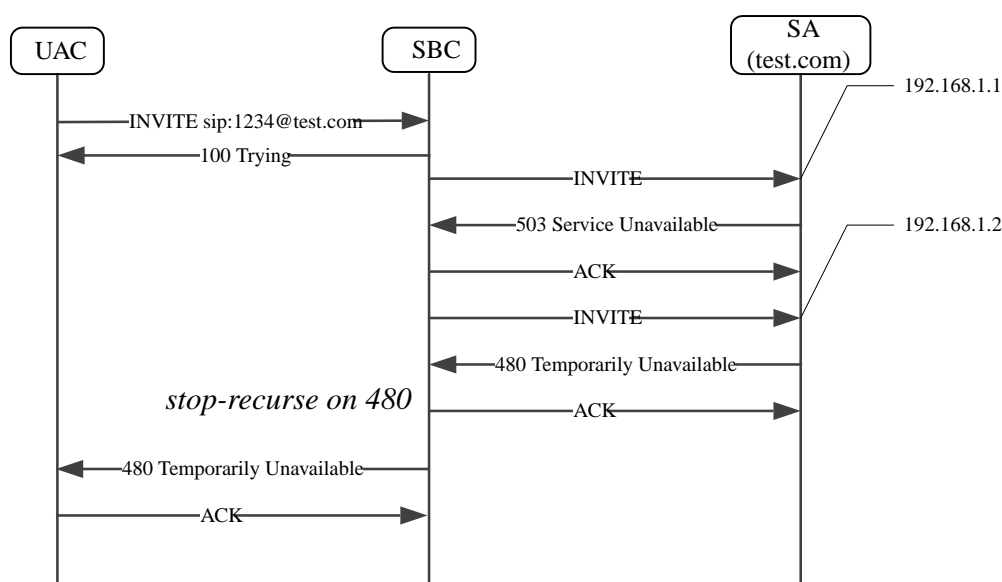
When a session request is sent from the Oracle® Enterprise Session Border Controller to a session agent, and an error response is received (or a transport failure occurs), the Oracle® Enterprise Session Border Controller attempts to reroute the message through the list of dynamically resolved IP addresses. The SBC can be configured to resend session requests through the list of IP addresses under more failure conditions.

This feature concerns the case when a session agent is configured with an FQDN in the hostname parameter and the **dns-load-balance** or **ping-all-addresses** option is configured. This configuration sets up the load balancing / redundancy behavior for the SBC to use all addresses returned in the SRV/A-record for that session agent. In previous versions of the SBC software, only when a 503 failure from the SA was received would the SBC resend the session request to the next dynamically resolved IP address (on the SRV/A record list).

By adding the **recurse-on-all-failures** option to a session agent, the Oracle® Enterprise Session Border Controller will resend a session request to the next address on the list after a 4xx or 5xx failure response has been received from a session agent.



If the SBC receives a failure response from the session agent, and the number of that failure is configured in the **stop-recurse** parameter, no further session requests will be forwarded to additional addresses from the SRV/A record list. The error message will be forwarded back to the UA.



## Realms

Realm configuration is divided into the following functional areas, and the steps for configuring each are set out in this chapter: identity and IP address prefix, realm interfaces, realm service profiles, QoS measurement, QoS marking, address translation profiles, and DNS server configuration.

### Before You Configure

Before you configure realms, you want to establish the phy and network interfaces with which the realm will be associated.

- Configure a phy-interface to define the physical characteristics of the signaling line.
- Configure a network-interface to define the network in which this realm is participating and optionally to create VLANs.

If you wish to use QoS, you should also determine if your Oracle® Enterprise Session Border Controller is QoS enabled.

Remember that you will also use this realm in other configurations to accomplish the following:

- Set a signaling port or ports at which the Oracle® Enterprise Session Border Controller listens for signaling messages.
- Configure sessions agents to point to ingress and egress signaling devices located in this realm in order to apply constraint for admission control.
- Configure session agents for defining trusted sources for accepting signaling messages.

### Configure realm-config

To access the realm configuration parameters in the ACLI:

1. Access the **realm-config** configuration element.

```
ORACLE# configure terminal
ORACLE(configure)# media-manager
ORACLE(media-manager)# realm-config
ORACLE(realm-config)#
```

2. Press **Enter**.

The system prompt changes to let you know that you can begin configuring individual parameters. To view all realm configuration parameters, enter a ? at the system prompt.

### Identity and IP Address Prefix

The first parameters you configure for a realm are its name (a unique identifier) and an IP address prefix and subnet mask.

The IP address and subnet mask establish a set of matching criteria for the realm, and distinguishes between realms that you assign to the same network interface.

To configure a realm's identity and IP address prefix in the ACLI:

1. **identifier**—Enter the name of the realm. This parameter uniquely identifies the realm. You will use this parameter in other configurations when asked for a realm identifier value.
2. **addr-prefix**—Enter the IPv4 or IPv6 address and subnet mask combination to set the criteria the Oracle® Enterprise Session Border Controller uses to match packets sent or received on the network interface associated with this realm. This matching determines the realm, and subsequently what resources are used for that traffic. This setting determines whether the realm is an IPv4 or IPv6 realm.

This parameter must be entered in the correct format where the IPv4 or IPv6 address comes first and is separated by a slash (/) from the subnet mask value. For example, 172.16.0.0/24.

The default for this parameter is **0.0.0.0**. When you leave this parameter set to the default, all addresses match.

## Realm Interfaces

The realm points to one network interface on the Oracle® Enterprise Session Border Controller.

### Note:

Only one network-interface can be assigned to a single realm-config object, except for Local multi-homing SCTP deployments.

To assign interfaces to a realm:

- **network-interfaces**—Enter the physical and network interface(s) that you want this realm to reference. These are the network interfaces through which this realm can be reached by ingress traffic, and through which this traffic exits the system as egress traffic.

Enter the name and port in the correct format where the name of the interface comes first and is separated by a colon (:) from the port number. For example, f10:0.

The parameters you set for the network interfaces must be unique.

Enter multiple network interfaces for this list by typing an open parenthesis, entering each field value separated by a Space, typing a closed parenthesis, and then pressing Enter.

```
ORACLE(realms-config)# network-interfaces fe1:0
```

You must explicitly configure a realm's network interface as either IPv4 or IPv6 when the applicable interface is either dual-stack or IPv6. You do this by appending the realm's network-interface with a **.4** or a **.6**, as shown below.

```
ORACLE(realms-config)# network-interfaces fe1:0.6
```

For single-stack interface configurations that do not specify this format, the Oracle® Enterprise Session Border Controller assumes an IPv4 interface. Dual stack interface configurations fail if this IP version family suffix is not specified.

## Realm Service Profile

The parameters you configure to establish the realm service profile determine how bandwidth resources are used and how media is treated in relation to the realm. Bandwidth constraints set for realm service profiles support the Oracle® Enterprise Session Border Controller's admission control feature.

Peer-to-peer media between endpoints can be treated in one of three different ways:

- Media can be directed between sources and destinations within this realm on this specific Oracle® Enterprise Session Border Controller. Media travels through the Oracle® Enterprise Session Border Controller rather than straight between the endpoints.
- Media can be directed through the Oracle® Enterprise Session Border Controller between endpoints that are in different realms, but share the same subnet.
- For SIP only, media can be released between multiple Oracle® Enterprise Session Border Controllers.  
To enable SIP distributed media release, you must set the appropriate parameter in the realm configuration. You must also set the SIP options parameter to media-release with the appropriate header name and header parameter information. This option defines how the Oracle® Enterprise Session Border Controller encodes IPv4 address and port information for media streams described by, for example, SDP.

To configure realm service profile:

1. **max-bandwidth**—Enter the total bandwidth budget in kilobits per second for all flows to/from the realm defined in this element. The default is **0** which allows for unlimited bandwidth. The valid range is:
  - Minimum—0
  - Maximum—4294967295
2. **mm-in-realm**—Enable this parameter to treat media within this realm on this Oracle® Enterprise Session Border Controller. The default is **disabled**. Valid values are:
  - enabled | disabled
3. **mm-in-network**—Enable this parameter to treat media within realms that have the same subnet mask on this Oracle® Enterprise Session Border Controller. The default is **enabled**. Valid values are:
  - enabled | disabled
4. **msm-release**—Enable or disable the inclusion of multi-system (multiple Oracle® Enterprise Session Border Controllers) media release information in the SIP signaling request sent into the realm identified by this realm-config element. If this field is set to enabled, another Oracle® Enterprise Session Border Controller is allowed to decode the encoded SIP signaling request message data sent from a SIP endpoint to another SIP endpoint in the same network to restore the original SDP and subsequently allow the media to flow directly between those two SIP endpoints in the same network serviced by multiple Oracle® Enterprise Session Border Controllers. If this field is disabled, the media and signaling will

pass through both Oracle® Enterprise Session Border Controllers. Remember that for this feature to work, you must also set the options parameter in the SIP configuration accordingly. The default is **disabled**. Valid values are:

- enabled | disabled

## QoS Measurement

This chapter provides detailed information about when to configure the **qos-enable** parameter. If you are not using QoS or a QoS-capable Oracle® Enterprise Session Border Controller, then you can leave this parameter set to disabled (default).

## QoS Marking

QoS marking allows you to apply a set of TOS/DiffServ mechanisms that enable you to provide better service for selected networks

You can configure a realm to perform realm-based packet marking by media type, either audio/voice or video.

The realm configuration references a set of media policies that you configure in the media policy configuration. Within these policies, you can establish TOS/DiffServ values that define an individual type (or class) of service, and then apply them on a per-realm basis. In the media profiles, you can also specify:

- One or more audio media types for SIP and/or H.323
- One or more video types for SIP and/or H.323
- Both audio and video media types for SIP and/or H.323  
To establish what media policies to use per realm in the ACLI:
- **media-policy**—Enter the name (unique identifier) of the media policy you want to apply in the realm. When the Oracle® Enterprise Session Border Controller first sets up a SIP or H.323 media session, it identifies the egress realm of each flow and then determines the media-policy element to apply to the flow. This parameter must correspond to a valid name entry in a media policy element. If you leave this parameter empty, then QoS marking for media will not be performed for this realm.

## Address Translation Profiles

If you are not using this feature, you can leave the **in-translationid** and **out-translationid** parameters blank.

## Interface and Realm Support of DNS Servers

You can configure DNS functionality on a per-network-interface, or per-realm basis. Configuring DNS servers for your realms means that you can have multiple DNS servers in connected networks. In addition, this allows you to specify which DNS server to use for a given realm because the DNS might actually be in a different realm with a different network interface.

This feature is available for SIP only.

To configure realm-specific DNS in the ACLI:

- **dns-realm**—Enter the name of the network interface that is configured for the DNS service you want to apply in this realm. If you do not configure

this parameter, then the realm will use the DNS information configured in its associated network interface.

## DoS ACL Configuration

If you are not using this functionality, you can leave the parameters at their default values: **average-rate-limit**, **peak-rate-limit**, **maximum-burst-size**, **access-control-trust-level**, **invalid-signal-threshold**, and **maximum-signal-threshold**.

## Enabling RTP-RTCP UDP Checksum Generation

The Oracle® Enterprise Session Border Controller can generate a UDP checksum for RTP/ RTCP packets on a per-realm basis. This feature is useful in cases where devices performing network address translation (NAT) do not pass through packets with a zero checksum from the public Internet. These packets do not make it through the NAT, even if they have the correct to and from IP address and UDP port information. The Oracle® Enterprise Session Border Controller calculates a checksum for these packets and thereby enables them to traverse a NAT successfully.

If a checksum is already present when the traffic arrives at the hardware, the system simply relays it.

## Aggregate Session Constraints Per Realm

You can set session constraints for the Oracle® Enterprise Session Border Controller's global SIP configuration, specified session agents, and specified SIP interfaces. This forces users who have a large group of remote agents to create a large number of session agents and SIP interfaces.

With this feature implemented, however, you can group remote agents into one or more realms on which to apply session constraints.

To enable sessions constraints on a per realm basis:

- **constraint-name**—Enter the name of the constraint you want to use for this realm. You set up in the session-constraints configuration.

## Admission Control Configuration

You can set admission control based on bandwidth for each realm by setting the **max-bandwidth** parameter for the realm configuration. Details about admission control are covered in this guide's *Admission Control and QoS* chapter.

## DNS Re-query over TCP

The Oracle® Enterprise Session Border Controller DNS supports the truncated (TC) header bit in DNS responses as defined in RFC 2181 and a re-query over TCP.

DNS queries start on UDP ports with the limit of 512 bytes. Longer responses require that the result not be cached and that the truncated (TC) header bit is set. After receiving a DNS response with the TC header set, the Oracle® Enterprise Session Border Controller will initiate a re-query to the DNS server over TCP. The option **dns-tcp-for-truncated-response** in **realm-config** can be set to **no** to disable this behavior.



## DNS Re-query over TCP Config

Enable feature to support setting the truncated header bit and initiating a DNS re-query over TCP.

1. Access the **realm-config** configuration element.

```
ORACLE# configure terminal
ORACLE(configure)# media-manager
ORACLE(media-manager)# realm-config
ORACLE(realm-config)#
```

2. Select the **realm-config** object to edit.

```
ORACLE(realm-config)# select
identifier:
1: realm01 left-left:0 0.0.0.0

selection: 1
ORACLE(realm-config)#
```

3. **dns-tcp-for-truncated-response**— Set the options parameter by typing **options**, a Space, a plus sign (+), the option name, and equal sign (=) and then **yes** or **no** and then press Enter. The default behavior is to set the truncated header bit and initiate a DNS re-query over TCP.

```
ORACLE(realm-config)# option +dns-tcp-for-truncated-response=no
```

4. Type **done** to save your configuration.

## Configurable DNS Response Size

When a realm is used for DNS queries, the Oracle® Enterprise Session Border Controller can accept UDP DNS responses configurable up to 65535 bytes.

This functionality is useful when large numbers of SRV records will be returned in a DNS query thereby eliciting a large-sized DNS response. This behavior should be configured on the realm where the DNS servers are located.

To extend the valid DNS response size, add the **dns-max-response-size** option to the realm configuration. If this option is not configured, the Oracle® Enterprise Session Border Controller uses the default maximum response size of 512 bytes, and information past the 512th byte will be ignored.

Do not add the **dns-max-response-size** option to realms where DNS queries are not being performed. Ensure that the realm where this option is configured is referenced in a transport realm's **dns-realm** parameter. Only the local value of the **dns-max-response-size** option is used for the realm; there is no inheritance of this value.

## DNS Response Size Configuration

1. Access the **realm-config** configuration element.

```
ORACLE# configure terminal
ORACLE(configure)# media-manager
ORACLE(media-manager)# realm-config
ORACLE(realm-config)#
```

2. Select the **realm-config** object to edit.

```
ORACLE(realm-config)# select
identifier:
1: realm01 left-left:0 0.0.0.0

selection: 1
ORACLE(realm-config)#
```

3. Add the **dns-max-response-size** option to the realm with a value between 513 — 65535.

```
ORACLE(realm-config)#options dns-max-response-size=4196
```

4. Type **done** to save your configuration.

## Disabling Recursive DNS Queries for ENUM

By default, the Oracle® Enterprise Session Border Controller (E-SBC) requests DNS query with recursive searches. The Telecommunication Technology Committee's Standard JJ-90.31 specifies that ENUM DNS queries be performed iteratively. The E-SBC complies with this requirement when remote (server) recursive searches are disabled. You can disable recursive searches on a per **enum-config** basis.

Remote recursive DNS queries instruct DNS servers to query other servers on behalf of the requester to resolve the query. Alternatively, the DNS server can return a list of other DNS servers for the requester to query itself. RFC 1035 specifies that setting the Recursive Data (RD) bit in the DNS query to 1 requests a remote recursive DNS. Setting RD to 0 requests lists of other servers.

By default, the E-SBC sets the RD bit to 1. The user can disable this recursion by configuring the **enum-config** element's **remote-recursion** parameter to disabled.

This feature affects queries associated with the **enum-config**:

- Health queries
- CNAM subtype
- ENUM query

Changing this parameter's operational value does not invalidate any current DNS cache entry. The E-SBC uses the cached information until the cache is aged.

## DNS Server Status via SNMP

The Oracle® Enterprise Session Border Controller monitors the status of all configured DNS servers used by a SIP daemon. If a DNS server goes down, a major alarm is sent. If all DNS servers used by a SIP daemon are down, a critical alarm is sent. The `apAppsDnsServerStatusChangeTrap` is sent for both events.

You can poll the status of a DNS server using the `apAppsDNSServerStatusTable` in the `ap-apps.mib`.

Once the `apAppsDnsServerStatusChangeTrap` has been sent, a 30 second window elapses until the server status is checked again. At the 30 second timer expiration, if the server is still down, another trap and alarm are sent. If the server has been restored to service, the `apAppsDnsServerStatusChangeClearTrap` is sent.

## Persistent Protocol Tracing

This section explains how to configure persistent protocol tracing to capture specific SIP protocol message logs and persistently send them off the Oracle® Enterprise Session Border Controller, even after rebooting the system. This feature is not applicable to log for H.323 or IWF.

### About Persistent Protocol Tracing

You can configure sending protocol message logs off of the Oracle® Enterprise Session Border Controller, and have that persist after a reboot. You no longer have to manually issue the `notify` command each time you reboot.

To support persistent protocol tracing, you configure the following system-config parameters:

- **call-trace**—Enable/disable protocol message tracing (currently only `sipmsg.log` and `alg.log`) regardless of the `process-log-level` setting. If the `process-log-level` is set to `trace` or `debug`, `call-trace` will not disable.
- **internal-trace**—Enable/disable internal ACP message tracing for all processes, regardless of `process-log-level` setting. This applies to all `*.log` (internal ACP message exchange) files other than `sipmsg.log` and `alg.log`. If the `process-log-level` is set to `trace` or `debug`, `call-trace` will not disable.
- **log-filter**—Determine what combination of protocol traces and logs are sent to the log server defined by the `process-log-ip` parameter value. You can also fork the traces and logs, meaning that you keep trace and log information in local storage as well as sending it to the server. You can set this parameter to any of the following values: `none`, `traces`, `traces-fork`, `logs`, `logs`, `all`, or `all-fork`. The Oracle® Enterprise Session Border Controller uses the value of this parameter in conjunction with the `process-log-ip` and `process-log-port` values to determine what information to send. If you have configured the `proc-log-ip` and `proc-log-port` parameters, choosing `traces` sends just the trace information (provided they are turned on), `logs` sends only process logs (`log.*`), and `all` sends everything (which is the default).

## About the Logs

When you configure persistent protocol tracing, you affect the following types of logs.

 **Note:**

Enabling logs can have an impact on Oracle® Enterprise Session Border Controller performance.

## Process Logs

Events are logged to a process log flow from tasks and are specific to a single process running on the Oracle® Enterprise Session Border Controller. By default they are placed into individual files associated with each process with the following name format:

log.<taskname>

By setting the new log-filter parameter, you can have the logs sent to a remote log server (if configured). If you set log-filter to logs or all, the logs are sent to the log server. Otherwise, the logs are still captured at the level the process-log-level parameter is set to, but the results are stored on the Oracle® Enterprise Session Border Controller's local storage.

## Communication Logs

These are the communication logs between processes and system management. The logs are usually named <name>.log, with <name> being the process name. For example, sipd.log.

This class of log is configured by the new internal-trace parameter.

## Protocol Trace Logs

The only protocol trace logs included at this time are sipmsg.log for SIP. The H.323 system tracing is not included. All of the logs enabled with the call-trace parameter are sent to remote log servers, if you also set the log-filter parameter to logs or all.

## Persistent Protocol Tracing Configuration

Before you configure persistent protocol tracing, ensure you have configured the process logs by setting the system configuration's **process-log-ip** parameter.

To configure persistent protocol tracing:

1. In Superuser mode, type **configure terminal** and press Enter.

```
ORACLE# configure terminal
```

2. Type **system** and press Enter to access the system-level configuration elements.

```
ORACLE(configure)# system
```

3. Type **system-config** and press Enter. The system prompt changes to let you know that you can begin configuring individual parameters.

```
ORACLE(system)# system-config  
ORACLE(system-config)#
```

4. **call-trace**—Set to **enabled** to enable protocol message tracing for sipmsg.log for SIP. The default is **disabled**. The valid values are:

- enabled | disabled

5. **internal-trace**—Set to **enabled** to enable internal ACP message tracing for all processes. The default is **disabled**. The valid values are:

- enabled | disabled

6. **log-filter**—Choose the appropriate setting for how you want to send and/or store trace information and process logs. The valid values are:

- **none**—No information will be sent or stored.
- **traces**—Sends the trace information to both the log server; includes <name>.log files that contain information about the Oracle® Enterprise Session Border Controller's internal communication processes (<name> is the name of the internal process)
- **traces-fork**—Sends the trace information to both the log server and also keeps it in local storage; includes <name>.log files that contain information about the Oracle® Enterprise Session Border Controller's internal communication processes (<name> is the name of the internal process)
- **logs**—Sends the process logs to both the log server; includes log.\* files, which are Oracle® Enterprise Session Border Controller process logs
- **logs-fork**—Sends the process logs to both the log server and also keeps it in local storage; includes log.\* files, which are Oracle® Enterprise Session Border Controller process logs
- **all**—Sends all logs to the log servers that you configure
- **all-fork**—Sends all logs to the log servers that you configure, and it also keeps the logs in local storage

7. Save and activate your configuration.

## System Access Control

You can configure a system access control list (ACL) for your Oracle® Enterprise Session Border Controller that determines what traffic the Oracle® Enterprise Session Border Controller allows over its management interface (wancom0). By specifying who has access to the Oracle® Enterprise Session Border Controller via the management interface, you can provide DoS protection for this interface.

Using a list of IP addresses and subnets that are allowable as packet sources, you can configure what traffic the Oracle® Enterprise Session Border Controller accepts and what it denies. All IP packets arriving on the management interface are subject;

if it does not match your configuration for system ACL, then the Oracle® Enterprise Session Border Controller drops it.

 **Note:**

All IP addresses configured in the SNMP community table are automatically permitted.

## Adding an ACL for the Management Interface

The new subconfiguration **system-access-list** is now part of the system configuration, and its model is similar to host routes. For each entry, you must define an IP destination address and mask; you can specify either the individual host or a unique subnet.

If you do not configure this list, then there will be no ACL/DoS protection for the Oracle® Enterprise Session Border Controller's management interface.

You access the **system-access-list** via system path, where you set an IP address and netmask. You can configure multiple system ACLs using this configuration.

To add an ACL for the management interface:

1. In Superuser mode, type **configure terminal** and press Enter.

```
ORACLE# configure terminal
```

2. Type **system** and press Enter to access the signaling-level configuration elements.

```
ORACLE(configure)# system  
ORACLE(system)#
```

3. Type **system-access-list** and press Enter.

```
ORACLE(system)# system-access-list  
ORACLE(system-access-list)#
```

4. **source-address**—Enter the IP address representing for the source network for which you want to allow traffic over the management interface.
5. **netmask**—Enter the netmask portion of the source network for the traffic you want to allow. The netmask is in dotted decimal notation.

## Notes on Deleting System ACLs

If you delete a system ACL from your configuration, the Oracle® Enterprise Session Border Controller checks whether or not there are any active SFTP or SSH client was granted access when the entry was being removed. If such a client were active during ACL removal, the Oracle® Enterprise Session Border Controller would warn you about the condition and ask you to confirm the deletion. If you confirm the deletion, then the Oracle® Enterprise Session Border Controller's session with the active client is suspended.

The following example shows you how the warning message and confirmation appear. For this example, and ACLI has been deleted, and the user is activating the configuration that reflects the change.

```
ORACLE # activate-config
Object deleted will cause service disruption:
  system-access-list: identifier=172.30.0.24
  ** WARNING: Removal of this system-ACL entry will result
              in the lockout of a current SFTP client
Changes could affect service, continue (y/n) y
Activate-Config received, processing.
```

## System TCP Keepalive Settings

You can configure the Oracle® Enterprise Session Border Controller to control TCP connections by setting:

- The amount of time the TCP connection is idle before the Oracle® Enterprise Session Border Controller starts sending keepalive messages to the remote peer
- The number of keepalive packets the Oracle® Enterprise Session Border Controller sends before terminating the TCP connection

If TCP keepalive fails, then the Oracle® Enterprise Session Border Controller will drop the call associated with that TCP connection.

In the ALCI, a configured set of network parameters appears as follows:

```
network-parameters
  tcp-keepinit-timer           75
  tcp-keepalive-count         4
  tcp-keepalive-idle-timer    400
  tcp-keepalive-interval-timer 75
  tcp-keepalive-mode          0
```

Then you apply these on a per-interface basis. For example, the H.323 interface (stack) configuration allows you to enable or disabled use of the network parameters settings.

## System TCP Keepalive Configuration

TCP setting are global, and then enabled or disabled on a per-interface basis.

To configure TCP keepalive parameters on your Oracle® Enterprise Session Border Controller:

### Note:

If you want to use the default values for TCP keepalive, you do not need to take Steps 1 through 4. You can simply set the TCP keepalive function in the H.323 stack configuration, and the defaults for network parameters will be applied.

1. In Superuser mode, type **configure terminal** and press Enter.

```
ORACLE# configure terminal
```

2. Type **system** and press Enter to access the system-related configurations.

```
ORACLE(configure)# system
```

3. Type **network-parameters** and press Enter. The system prompt changes to let you know that you can begin configuring individual parameters.

```
ORACLE(system)# network-parameters  
ORACLE(network-parameters)#
```

4. **tcp-keepinit-timer**—If a TCP connection cannot be established within some amount of time, TCP will time out the connect attempt. It can be used to set the initial timeout period for a given socket, and specifies the number of seconds to wait before the connect attempt is timed out. For passive connections, this value is inherited from the listening socket. The default is **75**. The valid range is:

- **Minimum—0**
- **Maximum—999999999.**

5. **tcp-keepalive-count**—Enter the number of packets the Oracle® Enterprise Session Border Controller sends to the remote peer before it terminates the TCP connection. The default is **8**. The valid range is:

- **Minimum—0**
- **Maximum—223-1**

6. **tcp-keepalive-idle-timer**—Enter the number of seconds of idle time before TCP keepalive messages are sent to the remote peer if the **SO-KEEPALIVE** option is set. This option is set via the **h323-stack** configuration element. The default is **7200**. The valid range is:

- **Minimum—30**
- **Maximum—7200**

7. **tcp-keepalive-interval-timer**—When the **SO\_KEEPALIVE** option is enabled, TCP probes a connection that has been idle for some amount of time. If the remote system does not respond to a keepalive probe, TCP retransmits the probe after a set amount of time. This parameter specifies the number of seconds to wait before retransmitting a keepalive probe. The default value is **75** seconds. **The valid range is:**

- **Minimum—15**
- **Maximum—75**

8. **tcp-keepalive-mode**—Set the TCP keepalive response sequence number. The default is **0**. The valid values are:

- **0**—The sequence number is sent un-incremented
- **1**—The number is incremented
- **2**—No packets are sent
- **3**—Send RST (normal TCP operation)



## Configurable TCP Timers

You can configure your Oracle® Enterprise Session Border Controller to detect failed TCP connections more quickly so that data can be transmitted via an alternate connection before timers expire. Across all protocols, you can now control the following for TCP:

- Connection establishment
- Data retransmission
- Timer for idle connections

These capabilities all involve configuring an **options** parameter that appears in the network parameters configuration.

### Configuring TCP Connection Establishment

To establish connections, TCP uses a three-way handshake during which two peers exchange TCP SYN messages to request and confirm the active open connection. In attempting this connection, one peer retransmits the SYN messages for a defined period of time if it does not receive acknowledgement from the terminating peer. You can configure the amount of time in seconds between the retries as well as how long (in seconds) the peer will keep retransmitting the messages.

You set two new options in the network parameters configuration to specify these amounts of time: **atcp-syn-rxmt-interval** and **atcp-syn-rxmt-maxtime**.

Note that for all configured options, any values entered outside of the valid range are silently ignored during configuration and generate a log when you enter the **activate** command.

To configure TCP connection establishment:

1. In Superuser mode, type **configure terminal** and press Enter.

```
ORACLE# configure terminal
```

2. Type **system** and press Enter.

```
ORACLE(configure)# system  
ORACLE(system)#
```

3. Type **network-parameters** and press Enter.

```
ORACLE(system)# network-parameters  
ORACLE(network-parameters)#
```

4. **options**—Set the options parameter by typing **options**, a Space, the option name **atcp-syn-rxmt-interval=x** (where x is a value in seconds between 2 and 10) with a plus sign in front of it. Then press Enter. This value will be used as the interval between TCP SYN messages when the Oracle® Enterprise Session Border Controller is trying to establish a connection with a remote peer.

Now enter a second option to set the maximum time for trying to establish a TCP connection. Set the options parameter by typing **options**, a Space, the option

name **atcp-syn-rxmt-maxtime=x** (where x is a value in seconds between 5 and 75) with a plus sign in front of it. Then press Enter.

```
ORACLE(network-parameters)# options +atcp-syn-rxmt-interval=5
ORACLE(network-parameters)# options +atcp-syn-rxmt-maxtime=30
```

**If you type the option without the plus sign, you will overwrite any previously configured options. In order to append the new options to the configuration's options list, you must prepend the new option with a plus sign as shown in the previous example.**

 **Note:**

**atcp-syn-rxmt-maxtime=x option is equivalent to the tcp-keepinit-timer parameter, but only affects ATCP.**

5. Save and activate your configuration.

## Configuring TCP Data Retransmission

TCP is considered reliable in part because it requires that entities receiving data must acknowledge transmitted segments. If data segments go unacknowledged, then they are retransmitted until they are finally acknowledged or until the maximum number of retries has been reached. You can control both the number of times the Oracle® Enterprise Session Border Controller tries to retransmit unacknowledged segments and the periodic interval (how often) at which retransmissions occur.

You set two new options in the network parameters configuration to specify how many retransmissions are allowed and for how long: **atcp-rxmt-interval** and **atcp-rxmt-count**.

To configure TCP data retransmission:

1. In Superuser mode, type **configure terminal** and press Enter.

```
ORACLE# configure terminal
```

2. Type **system** and press Enter.

```
ORACLE(configure)# system
ORACLE(system)#
```

3. Type **network-parameters** and press Enter.

```
ORACLE(system)# network-parameters
ORACLE(network-parameters)#
```

4. **options**—Set the options parameter by typing **options**, a Space, the option name **atcp-rxmt-interval=x** (where x is a value in seconds between 2 and 60) with a plus sign in front of it. Then press Enter. This value will be used as the interval between retransmission of TCP data segments that have not been acknowledged.

Now enter a second option to set the number of times the Oracle® Enterprise Session Border Controller will retransmit a data segment before it declares

the connection failed. Set the options parameter by typing **options**, a Space, the option name **atcp-rxmt-count=x** (where x is a value between 4 and 12 representing how many retransmissions you want to enable) with a plus sign in front of it. Then press Enter.

```
ORACLE(network-parameters)# options +atcp-rxmt-interval=30
ORACLE(network-parameters)# options +atcp-rxmt-count=6
```

**If you type the option without the plus sign, you will overwrite any previously configured options. In order to append the new options to the configuration's options list, you must prepend the new option with a plus sign as shown in the previous example.**

5. Save and activate your configuration.

## Timer for Idle Connections

When enabled to do so, the Oracle® Enterprise Session Border Controller monitors inbound TCP connections for inactivity. These are inbound connections that the remote peer initiated, meaning that the remote peer sent the first SYN message. You can configure a timer that sets the maximum amount of idle time for a connection before the Oracle® Enterprise Session Border Controller consider the connection inactive. Once the timer expires and the connection is deemed inactive, the Oracle® Enterprise Session Border Controller sends a TCP RST message to the remote peer.

To configure the timer for TCP idle connections:

1. In Superuser mode, type **configure terminal** and press Enter.

```
ORACLE# configure terminal
```

2. Type **system** and press Enter.

```
ORACLE(configure)# system
ORACLE(system)#
```

3. Type **network-parameters** and press Enter.

```
ORACLE(system)# network-parameters
ORACLE(network-parameters)#
```

4. **options**—Set the options parameter by typing **options**, a Space, the option name **atcp-idle-timer=x** (where x is a value in seconds between 120 and 7200) with a plus sign in front of it. Then press Enter. This value will be used to measure the activity of TCP connections; when the inactivity on a TCP connection reaches this value in seconds, the Oracle® Enterprise Session Border Controller declares it inactive and drops the session.

```
ORACLE(network-parameters)# options +atcp-idle-timer=900
```

**If you type the option without the plus sign, you will overwrite any previously configured options. In order to append the new options to the configuration's options list, you must prepend the new option with a plus sign as shown in the previous example.**

5. Save and activate your configuration.

## RTP TTL

The Oracle® Enterprise Session Border Controller (E-SBC) allows you to set, on a per media-policy basis, the number of hops RTP packets can traverse before they should be dropped.

This feature uses the standard IPv4 TTL and IPv6 Hop Limit field, comprised of 8 bits in the IP header to specify time to live. The E-SBC supports this feature over UDP transport. The E-SBC sets or replaces any existing value in the TTL and Hop Limit fields with your setting before sending packets out the egress interface. The E-SBC knows if it has already processed any given packet. It therefore, knows to set this value only the first time it processes a packet. In addition, the E-SBC never decrements this value and, therefore, never discards these packets itself.

To configure, you set **rtp-ttl** in the desired **media-policy**. You also apply the **media-policy** to the desired **realm(s)**. The RTP TTL value range is from 0 to 255. By default, the feature is set to zero (Disabled).

```
ORACLE# configuration terminal
ORACLE(configure)# media-manager
ORACLE(media-manager)# media-policy
ORACLE(media-policy)# rtp-ttl 30
```

Display TTL statistics using the **show datapath** command. This command's syntax is platform dependent:

- Virtual Machine, Acme Packet 1100 and Acme Packet 3900 platforms  
Use **show datapath usdp ppms tos**
- Acme Packet 4600, Acme Packet 6100, Acme Packet 6300 and Acme Packet 6350 platforms  
Use **show datapath etc-stats ppm tos <slot> <port>**

This feature does not work on transcoded packets. After transcoding on Acme Packet platforms, the E-SBC sets the TTL value in all transcoded packets to 127.

The feature is RTC and is supported for HA deployments.

## RAMdrive Log Cleaner

The RAMdrive log cleaner allows the Oracle® Enterprise Session Border Controller to remove log files proactively and thereby avoid situations where running low on RAMdrive space is a danger. Because even a small amount of logging can consume a considerable space, you might want to enable the RAMdrive log cleaner.

The RAMdrive cleaner periodically checks the remaining free space in the RAMdrive and, depending on the configured threshold, performs a full check on the `/ramdrv/logs` directory. During the full check, the RAMdrive cleaner determines the total space logs files are using and deletes log files that exceed the configured maximum lifetime. In addition, if the cleaner finds that the maximum log space has been exceeded or the minimum free space is not sufficient, it deletes older log files until the thresholds are met.

Not all log files, however, are as active as others. This condition affects which log files the log cleaner deletes to create more space in RAMdrive. More active log files rotate through the system more rapidly. So, if the log cleaner were to delete the oldest of these active files, it might not delete less active logs files that could be older than the active ones. The log cleaner thus deletes files that are truly older, be they active or inactive.

## Applicable Settings

In the system configuration, you establish a group of settings in the options parameter that control the log cleaner's behavior:

- **ramdrv-log-min-free**—Minimum percent of free space required when rotating log files.  
When the amount of free space on the RAMdrive falls below this value, the log cleaner deletes the oldest copy of the log file. The log cleaner also uses this setting when performing period cleaning.
- **ramdrv-log-max-usage**—Maximum percent of the RAMdrive the log files can use. The log cleaner removes old log files to maintain this threshold.
- **ramdrv-log-min-check**—Minimum percent of free space on the RAMdrive that triggers the log cleaner to perform a full check of log files.
- **ramdrv-min-log-check**—Minimum time (in seconds) between log cleaner checks.
- **ramdrv-max-log-check**—Maximum time (in seconds) between log cleaner checks. This value must be greater than or equal to the **ramdrv-min-log-check**.
- **ramdrv-log-lifetime**—Maximum lifetime (in days) for log files. You give logs unlimited lifetime by entering a value of 0.

## Clean-Up Procedure

The log cleaner checks the amount of space remaining in the RAMdrive and performs a full check of the logs directory when:

- Free space is less than the minimum percent of the RAMdrive that triggers a full check of log files
- The amount of free space has changed by more than 5% of the RAMdrive capacity since the last full check
- A full check of the logs directory has not been performed in the last hour

When it checks the logs directory, the log cleaner inventories the collected log files. It identifies each files as one of these types:

- Process log—Files beginning with log.
- Internal trace file—A <task>.log file
- Protocol trace file—Call trace including sipmsg.log, dns.log, sipddns.log, and alg.log
- CDR file—File beginning with cdr

Next, the log cleaner determines the age of the log files using the number of seconds since the log files were created. Then it orders the files from oldest to newest. The age adjusts such that it always increases as the log file sequence number (a suffix added by file rotation) increases. The log cleaner applies an additional weighting factor

to produce a weighted age that favors the preservation of protocol traces files over internal trace files, and internal trace files over process log files. The base log file and CDR files are excluded from the age list and so will not be deleted; the accounting configuration controls CDR file aging.

With the age list constructed, the log cleaner examines the list from highest weighted age to lowest. If the actual file age exceeds the RAMdrive maximum log lifetime, the log cleaner deletes it. Otherwise, the log cleaner deletes files until the maximum percent of RAMdrive that logs can use is no longer exceeded and until the minimum percent of free space required when rotating logs is available.

## Clean-Up Frequency

The minimum free space that triggers a full check of log files and the maximum time between log file checks control how often the log cleaner performs the clean-up procedure. When it completes the procedure, the log cleaner determines the time interval until the next required clean-up based on the RAMdrive's state.

If a clean-up results in the deletion of one or more log files or if certain thresholds are exceeded, frequency is based on the minimum time between log cleaner checks. Otherwise, the system gradually increases the interval up to the maximum time between log cleaner checks. The system increases the interval by one-quarter of the difference between the minimum and maximum interval, but not greater than one-half the minimum interval or smaller than 10 seconds. For example, using the default values, the interval would be increased by 30 seconds.

## RAMdrive Log Cleaner Configuration

You configure the log cleaner's operating parameters and thresholds in the system configuration. Note that none of these settings is RTC-supported, so you must reboot your Oracle® Enterprise Session Border Controller in order for them to take effect. If you are using this feature on an HA node, however, you can add this feature without impact to service by activating the configuration, rebooting the standby, switching over to make the newly booted standby active, and then rebooting the newly standby system.

Unlike other values for **options** parameters, the Oracle® Enterprise Session Border Controller validates these setting when entered using the ACLI. If any single value is invalid, they all revert to their default values.

To configure the RAMdrive log cleaner:

1. In Superuser mode, type **configure terminal** and press Enter.

```
ORACLE# configure terminal  
ORACLE(configure)#
```

2. Type **system** and press Enter.

```
ORACLE(configure)# system  
ORACLE(system)#
```

3. Type **system-config** and press Enter.

```
ORACLE(system)# system-config
ORACLE(system-config)#
```

4. **options**—Set the options parameter by typing options, a Space, **<option name>=X (where X is the value you want to use)** with a plus sign in front of it. Then press Enter.

Remember that if any of your settings are invalid, the Oracle® Enterprise Session Border Controller changes the entire group of these options back to their default settings.

The following table lists and describes the supported options.

- **ramdrv-log-min-free**—Minimum percent of free space required when rotating log files. When the amount of free space on the RAMdrive falls below this value, the log cleaner deletes the oldest copy of the log file. The log cleaner also uses this setting when performing period cleaning.
  - Default: 40
  - Minimum: 15
  - Maximum: 75
- **ramdrv-log-max-usage**—Maximum percent of the RAMdrive the log files can use. The log cleaner removes old log files to maintain this threshold.
  - Default: 40
  - Minimum: 15
  - Maximum: 75
- **ramdrv-log-min-check**—Minimum percent of free space on the RAMdrive that triggers the log cleaner to perform a full check of log files.
  - Default: 50
  - Minimum: 25
  - Maximum: 75
- **ramdrv-min-log-check**—Maximum time (in seconds) between log cleaner checks. This value must be greater than or equal to the **ramdrv-min-log-check**.
  - Default: 180
  - Minimum: 40
  - Maximum: 1800
- **ramdrv-log-lifetime**—Maximum lifetime (in days) for log files. You give logs unlimited lifetime by entering a value of 0.
  - Default: 30
  - Minimum: 2
  - Maximum: 9999

Default=30; Minimum=2; Maximum=9999

```
ORACLE(system-config)# options +ramdrv-log-min-free=50
ORACLE(system-config)# options +ramdrv-log-max-usage=50
```

```
ORACLE(system-config)# options +ramdrv-log-min-check=35
ORACLE(system-config)# options +ramdrv-min-log-check=120
ORACLE(system-config)# options +ramdrv-max-log-free=1500
ORACLE(system-config)# options +ramdrv-log-lifetime=7
```

If you type **options** and then the option value for either of these entries without the plus sign, you will overwrite any previously configured options. In order to append the new options to this configuration's options list, you must prepend the new option with a plus sign as shown in the previous example.

5. Reboot your Oracle® Enterprise Session Border Controller.

## Configurable Alarm Thresholds and Traps

The Oracle® Enterprise Session Border Controller supports user-configurable threshold crossing alarms. These configurations let you identify system conditions of varying severity which create corresponding alarms of varying severity. You configure an alarm threshold type which indicates the resource to monitor. The available types are:

- **cpu** — CPU utilization monitored as a percentage of total CPU capacity
- **memory** — memory utilization monitored as a percentage of total memory available

### Note:

When you configure an **alarm-threshold** for **memory** with **severity** set to **critical**, the Oracle® Enterprise Session Border Controller will stop processing traffic if that configured value is reached, regardless of how low the value is.

- **sessions** — allowed utilization monitored as a percentage of session capacity
- **space** — remaining disk space (configured in conjunction with the volume parameter - see the Storage Expansion Module Monitoring section of the *Accounting Guide* for more information.)
- **deny-allocation** — denied entry utilization monitored as a percentage of reserved, denied entries.

For the alarm type you create, the Oracle® Enterprise Session Border Controller can monitor for 1 through 3 severity levels as minor, major, and critical. Each of the severities is configured with a corresponding value that triggers that severity. For example the configuration for a CPU alarm that is enacted when CPU usage reaches 50%:

```
alarm-threshold
  type          cpu
  severity      minor
  value         50
```



You may create addition CPU alarms for increasing severities. For example:

```
alarm-threshold
  type          cpu
  severity      critical
  value         90
```

The alarm state is enacted when the resource defined with the type parameter exceeds the value parameter. When the resource drops below the value parameter, the alarm is cleared.

## SNMP Traps

When a configured alarm threshold is reached, the Oracle® Enterprise Session Border Controller sends an `apSysMgmtGroupTrap`. This trap contains the resource type and value for the alarm configured in the `alarm-threshold` configuration element. The trap does not contain information associated with configured severity for that value.

```
apSysMgmtGroupTrap          NOTIFICATION-TYPE
  OBJECTS                    { apSysMgmtTrapType, apSysMgmtTrapValue }
  STATUS                      current
  DESCRIPTION
    " The trap will generated if value of the monitoring object
    exceeds a certain threshold. "
  ::= { apSystemManagementNotifications 1 }
```

When the resource usage retreats below a configured threshold, the Oracle® Enterprise Session Border Controller sends an `apSysMgmtGroupClearTrap`.

```
apSysMgmtGroupClearTrap     NOTIFICATION-TYPE
  OBJECTS                    { apSysMgmtTrapType }
  STATUS                      current
  DESCRIPTION
    " The trap will generated if value of the monitoring object
    returns to within a certain threshold. This signifies that
    an alarm caused by that monitoring object has been cleared. "
  ::= { apSystemManagementNotifications 2 }
```

The alarm and corresponding traps available through the User Configurable Alarm Thresholds functionality are summarized in the following table.

Alarm	Severity	Cause	Actions
CPU	minor	high CPU usage	apSysMgmtGroupTrap sent with
	major		apSysCPUUtil
	critical		apSysMgmtTrapValue
memory	minor	high memory usage	apSysMgmtGroupTrap sent with
	major		apSysMemoryUtil
	critical		apSysMgmtTrapValue
sessions	minor	high provisioned usage	apSysMgmtGroupTrap sent with
	major		apSysLicenseCapacity
	critical		apSysMgmtTrapValue

Alarm	Severity	Cause	Actions
space	minor major critical	high HDD usage, per volume	apSysMgmtStorageSpaceAvailThresholdTrap sent with: apSysMgmtSpaceAvailCurrent apSysMgmtSpaceAvailMinorThreshold apSysMgmtSpaceAvailMajorThreshold apSysMgmtSpaceAvailCriticalThreshold apSysMgmtPartitionPath
deny allocation	minor major critical	high usage of denied ACL entries	apSysMgmtGroupTrap sent with apSysCurrentEndptsDenied apSysMgmtTrapValue

## Alarm Thresholds Configuration

To configure alarm thresholds:

1. In Superuser mode, type **configure terminal** and press Enter.

```
ORACLE# configure terminal
```

2. Type **system** and press Enter to access the system-level configuration elements.

```
ORACLE(configure)# system
```

3. Type **system-config** and press Enter.

```
ORACLE(system)# system-config
ORACLE(system-config)#
```

4. Type **alarm-threshold** and press Enter. The system prompt changes to let you know that you can begin configuring individual parameters.

```
ORACLE(system-config)# alarm-threshold
ORACLE(alarm-threshold)#
```

5. **type** — Enter the type of resource which this alarm monitors. Valid values include:

- cpu
- memory
- sessions
- space
- deny-allocation

6. **volume** — Enter the logical disk volume this alarm monitors (used only in conjunction when type = space).

7. **severity** — Set the severity of the threshold. Valid values include:

- minor
- major

- critical
- 8. value — Enter the value from 1 to 99, indicating the percentage, which when exceeded generates an alarm.
- 9. Save and activate your configuration.

## Alarm Synchronization

Two trap tables in the `ap-smgmt.mib` record trap information for any condition on the Oracle® Enterprise Session Border Controller that triggers an alarm condition. You can poll these two tables from network management systems, OSS applications, and the Session Delivery Manager to view the fault status on one or more Oracle® Enterprise Session Border Controller s.

The two trap tables that support alarm synchronization, and by polling them you can obtain information about the current fault condition on the Oracle® Enterprise Session Border Controller . These tables are:

- `apSysMgmtTrapTable`—You can poll this table to obtain a summary of the Oracle® Enterprise Session Border Controller 's current fault conditions. The table records multiples of the same trap type that have occurred within a second of one another and have different information. Each table entry contains the following:
  - Trap identifier
  - System time (synchronized with an NTP server)
  - `sysUpTime`
  - Instance number
  - Other trap information for this trap identifier
- `apSysMgmtTrapInformationTable`—You can poll this table to obtain further details about the traps recorded in the `apSysMgmtTrapTable` table. The following information appears:
  - Data index
  - Data type
  - Data length
  - The data itself (in octets)

Trap tables do not record information about alarm severity.

The `apSysMgmtTrapTable` can hold up to 1000 entries, and you can configure the number of days these entries stay in the table for a maximum of seven days. If you set this parameter to 0 days, the feature is disabled. And if you change the setting to 0 days from a greater value, then the Oracle® Enterprise Session Border Controller purges the tables.

## Caveats

Note that the Oracle® Enterprise Session Border Controller does not replicate alarm synchronization table data across HA nodes. That is, each Oracle® Enterprise Session Border Controller in an HA node maintains its own tables.

## Alarm Synchronization Configuration

You turn on alarm synchronization in the system configuration.

To use alarm synchronization:

1. In Superuser mode, type **configure terminal** and press Enter.

```
ORACLE# configure terminal  
ORACLE(configure)#
```

2. Type **system** and press Enter.

```
ORACLE(configure)# system  
ORACLE(system)#
```

3. Type **system-config** and press Enter.

```
ORACLE(system)# system-config  
ORACLE(system-config)#
```

4. **trap-event-lifetime**—To enable alarm synchronization—and cause the Oracle® Enterprise Session Border Controller to record trap information in the apSysMgmtTrapTable and the apSysMgmtTrapInformationTable—set this parameter to the number of days you want to keep the information. Leaving this parameter set to 0 (default) turns alarm synchronization off, and you can keep information in the tables for up to 7 days. 7 is the maximum value for this parameter.

## Accounting Configuration

The Oracle® Enterprise Session Border Controller offers support for RADIUS, an accounting, authentication, and authorization (AAA) system. In general, RADIUS servers are responsible for receiving user connection requests, authenticating users, and returning all configuration information necessary for the client to deliver service to the user.

You can configure your Oracle® Enterprise Session Border Controller to send call accounting information to one or more RADIUS servers. This information can help you to see usage and QoS metrics, monitor traffic, and even troubleshoot your system.

This guide contains all RADIUS information, as well as information about:

- Accounting for SIP and H.323
- Local CDR storage on the Oracle® Enterprise Session Border Controller , including CSV file format settings
- The ability to send CDRs via FTP to a RADIUS sever (the FTP push feature)
- Per-realm accounting control
- Configurable intermediate period
- RADIUS CDR redundancy
- RADIUS CDR content control

# Stream Control Transfer Protocol Overview

The Stream Control Transmission Protocol (SCTP) was originally designed by the Signaling Transport (SIGTRAN) group of IETF for Signalling System 7 (SS7) transport over IP-based networks. It is a reliable transport protocol operating on top of an unreliable connectionless service, such as IP. It provides acknowledged, error-free, non-duplicated transfer of messages through the use of checksums, sequence numbers, and selective retransmission mechanism.

SCTP is designed to allow applications, represented as endpoints, communicate in a reliable manner, and so is similar to TCP. In fact, it has inherited much of its behavior from TCP, such as association (an SCTP peer-to-peer connection) setup, congestion control and packet-loss detection algorithms. Data delivery, however, is significantly different. SCTP delivers discrete application messages within multiple logical streams within the context of a single association. This approach to data delivery is more flexible than the single byte-stream used by TCP, as messages can be ordered, unordered or even unreliable within the same association.

## SCTP Packets

SCTP packets consist of a common header and one or more chunks, each of which serves a specific purpose.

- DATA chunk — carries user data
- INIT chunk — initiates an association between SCTP endpoints
- INIT ACK chunk — acknowledges association establishment
- SACK chunk — acknowledges received DATA chunks and informs the peer endpoint of gaps in the received subsequences of DATA chunks
- HEARTBEAT chunk — tests the reachability of an SCTP endpoint
- HEARTBEAT ACK chunk — acknowledges reception of a HEARTBEAT chunk
- ABORT chunk — forces an immediate close of an association
- SHUTDOWN chunk — initiates a graceful close of an association
- SHUTDOWN ACK chunk — acknowledges reception of a SHUTDOWN chunk
- ERROR chunk — reports various error conditions
- COOKIE ECHO chunk — used during the association establishment process
- COOKIE ACK chunk — acknowledges reception of a COOKIE ECHO chunk
- SHUTDOWN COMPLETE chunk — completes a graceful association close

## SCTP Terminology

This section defines some terms commonly found in SCTP standards and documentation.

### SCTP Association

is a connection between SCTP endpoints. An SCTP association is uniquely identified by the transport addresses used by the endpoints in the association. An SCTP

association can be represented as a pair of SCTP endpoints, for example, `assoc = { [IPv4Addr : PORT1], [IPv4Addr1, IPv4Addr2: PORT2]}`.

Only one association can be established between any two SCTP endpoints.

#### SCTP Endpoint

is a sender or receiver of SCTP packets. An SCTP endpoint may have one or more IP address but it always has one and only one SCTP port number. An SCTP endpoint can be represented as a list of SCTP transport addresses with the same port, for example, `endpoint = [IPv6Addr, IPv6Addr: PORT]`.

An SCTP endpoint may have multiple associations.

#### SCTP Path

is the route taken by the SCTP packets sent by one SCTP endpoint to a specific destination transport address or its peer SCTP endpoint. Sending to different destination transport addresses does not necessarily guarantee separate routes.

#### SCTP Primary Path

is the default destination source address, the IPv4 or IPv6 address of the association initiator. For retransmissions however, another active path may be selected, if one is available.

#### SCTP Stream

is a unidirectional logical channel established between two associated SCTP endpoints. SCTP distinguishes different streams of messages within one SCTP association. SCTP makes no correlation between an inbound and outbound stream.

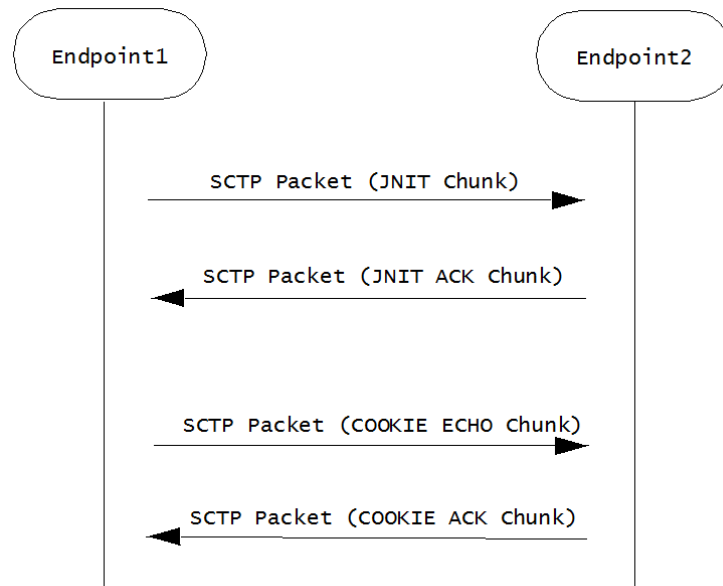
#### SCTP Transport Address

is the combination of an SCTP port and an IP address. For the current release, the IP address portion of an SCTP Transport Address must be a routable, unicast IPv4 or IPv6 address.

An SCTP transport address binds to a single SCTP endpoint.

## SCTP Message Flow

Before peer SCTP users (commonly called endpoints) can send data to each other, an association (an SCTP connection) must be established between the endpoints. During the association establishment process a cookie mechanism is employed to provide protection against security attacks. The following figure shows a sample SCTP association establishment message flow.



Endpoint1 initiates the association by sending Endpoint2 an Sctp packet that contains an INIT chunk, which can include one or more IP addresses used by the initiating endpoint. Endpoint2 acknowledges the initiation of an Sctp association with an Sctp packet that contains an INIT\_ACK chunk. This chunk can also include one or more IP addresses at used by the responding endpoint.

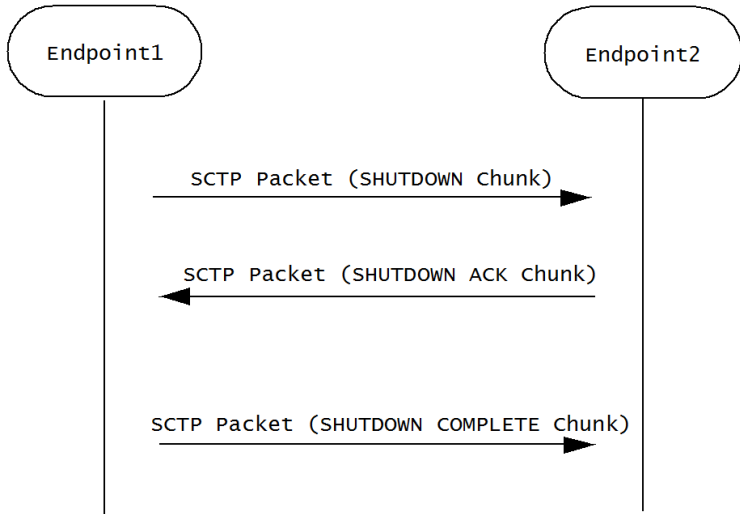
Both the INIT chunk (issued by the initiator) and INIT ACK chunk (issued by the responder) specify the number of outbound streams supported by the association, as well as the maximum inbound streams accepted from the other endpoint.

Association establishment is completed by a COOKIE ECHO/COOKIE ACK exchange that specifies a cookie value used in all subsequent DATA exchanges.

Once an association is successfully established, an Sctp endpoint can send unidirectional data streams using Sctp packets that contain DATA chunks. The recipient endpoint acknowledges with an Sctp packet containing a SACK chunk.

Sctp monitors endpoint reachability by periodically sending Sctp packets that contain HEARTBEAT chunks. The recipient endpoint acknowledges receipt, and confirms availability, with an Sctp packet containing a HEARBEAT ACK chunk.

Either Sctp endpoint can initiate a graceful association close with an Sctp packet that contains a SHUTDOWN chunk. The recipient endpoint acknowledges with an Sctp packet containing a SHUTDOWN ACK chunk. The initiating endpoint concludes the graceful close with an Sctp packet that contains a SHUTDOWN COMPLETE chunk.

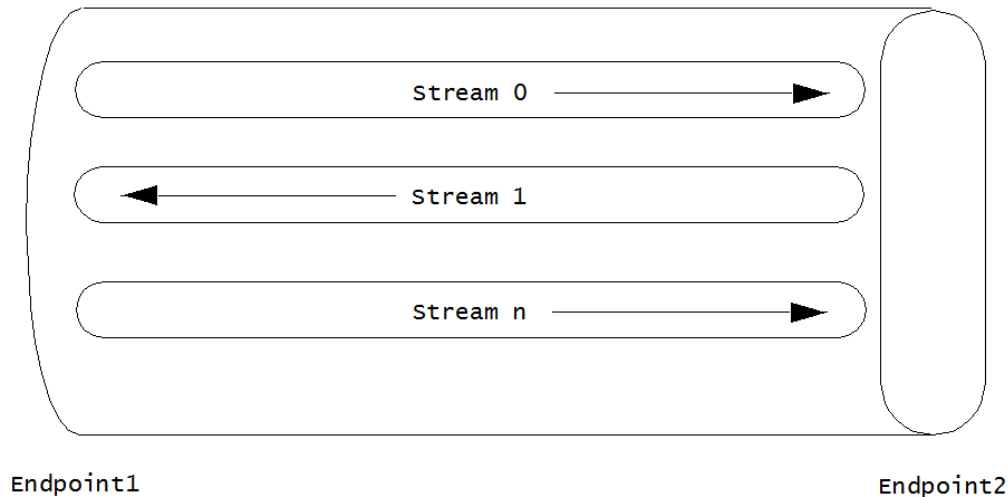


## Congestion Control

SCTP congestion control mechanism is similar to that provided by TCP, and includes slow start, congestion avoidance, and fast retransmit. In SCTP, the initial congestion window ( cwnd ) is set to the double of the maximum transmission unit (MTU) while in TCP, it is usually set to one MTU. In SCTP, cwnd increases based on the number of acknowledged bytes, rather than the number of acknowledgements in TCP. The larger initial cwnd and the more aggressive cwnd adjustment provided by SCTP result in a larger average congestion window and, hence, better throughput performance than TCP.

## Multi-Streaming

SCTP supports streams as depicted in the following figure which depicts an SCTP association that supports three streams.





The multiple stream mechanism is designed to solve the head-of-the-line blocking problem of TCP. Therefore, messages from different multiplexed flows do not block one another.

A stream can be thought of as a sub-layer between the transport layer and the upper layer. SCTP supports multiple logical streams to improve data transmission throughput. As shown in the above figure, SCTP allows multiple unidirectional streams within an association. This multiplexing/de-multiplexing capability is called multi-streaming and it is achieved by introducing a field called Stream Identifier (contained in every DATA chunk) that is used to differentiate segments in different streams.

SIP transactions are mapped into SCTP streams as described in Section 5.1 of RFC 4168. In what it describes as the simplest way, the RFC suggests (keyword SHOULD) that all SIP messages be transmitted via Stream 0 with the U bit set to 1.

On the transmit side, the current SCTP implementation follows the RFC 4168 recommendation. On the receiving side, a SIP entity must be prepared to receive SIP messages over any stream.

## Delivery Modes

SCTP supports two delivery modes, ordered and unordered. Delivery mode is specified by the U bit in the DATA chunk header — if the bit is clear (0), ordered delivery is specified; if the bit is set (1), unordered delivery is specified.

Within a stream, an SCTP endpoint must deliver ordered DATA chunks (received with the U bit set to 0) to the upper layer protocol according to the order of their Stream Sequence Number. Like the U bit, the Stream Sequence Number is a field within the DATA chunk header, and serves to identify the chunk's position within the message stream. If DATA chunks arrive out of order of their Stream Sequence Number, the endpoint must delay delivery to the upper layer protocol until they are reordered and complete.

Unordered DATA chunks (received with the U bit set to 1) are processed differently. When an SCTP endpoint receives an unordered DATA chunk, it must bypass the ordering mechanism and immediately deliver the data to the upper layer protocol (after reassembly if the user data is fragmented by the sender). As a consequence, the Stream Sequence Number field in an unordered DATA chunk has no significance. The sender can fill it with arbitrary value, but the receiver must ignore any value in field.

When an endpoint receives a DATA chunk with the U flag set to 1, it must bypass the ordering mechanism and immediately deliver the data to the upper layer (after reassembly if the user data is fragmented by the data sender).

Unordered delivery provides an effective way of transmitting out-of-band data in a given stream. Note also, a stream can be used as an unordered stream by simply setting the U bit to 1 in all DATA chunks sent through that stream.

## Multi-Homing

Call control applications for carrier-grade service require highly reliable communication with no single point of failure. SCTP can assist carriers with its multi-homing capabilities. By providing different paths through the network over separate and diverse means, the goal of no single point of failure is more easily attained.

SCTP built-in support for multi-homed hosts allows a single SCTP association to run across multiple links or paths, hence achieving link/path redundancy. With this capability, and SCTP association can be made to achieve fast failover from one link/path to another with little interruption to the data transfer service.

Multi-homing enables an SCTP host to establish an association with another SCTP host over multiple interfaces identified by different IP addresses. With specific regard to the Oracle® Enterprise Session Border Controller these IP addresses need not be assigned to the same **phy-interface**, or to the same physical Network Interface Unit.

If the SCTP nodes and the according IP network are configured in such a way that traffic from one node to another travels on physically different paths if different destination IP address are used, associations become tolerant against physical network failures and other problems of that kind.

An endpoint can choose an optimal or suitable path towards a multi-homed destination. This capability increases fault tolerance. When one of the paths fails, SCTP can still choose another path to replace the previous one. Data is always sent over the primary path if it is available. If the primary path becomes unreachable, data is migrated to a different, affiliated address — thus providing a level of fault tolerance. Network failures that render one interface of a server unavailable do not necessarily result in service loss. In order to achieve real fault resilient communication between two SCTP endpoints, the maximization of the diversity of the round-trip data paths between the two endpoints is encouraged.

## Multi-Homing and Path Diversity

As previously explained, when a peer is multi-homed, SCTP can automatically switch the subsequent data transmission to an alternative address. However, using multi-homed endpoints with SCTP does not automatically guarantee resilient communications. One must also design the intervening network(s) properly.

To achieve fault resilient communication between two SCTP endpoints, one of the keys is to maximize the diversity of the round-trip data paths between the two endpoints. Under an ideal situation, one can make the assumption that every destination address of the peer will result in a different, separate path towards the peer. Whether this can be achieved in practice depends entirely on a combination of factors that include path diversity, multiple connectivity, and the routing protocols that glue the network together. In a normally designed network, the paths may not be diverse, but there may be multiple connectivity between two hosts so that a single link failure will not fail an association.

In an ideal arrangement, if the data transport to one of the destination addresses (which corresponds to one particular path) fails, the data sender can migrate the data traffic to other remaining destination address(es) (that is, other paths) within the SCTP association.

## Monitoring Failure Detection and Recovery

When an SCTP association is established, a single destination address is selected as the primary destination address and all new data is sent to that primary address by default. This means that the behavior of a multi-homed SCTP association when there are no network losses is similar to behavior of a TCP connection. Alternate, or secondary, destination addresses are only used for redundancy purposes, either to retransmit lost packets or when the primary destination address cannot be reached.

A failover to an alternate destination is performed when the SCTP sender cannot elicit an acknowledgement — either a SACK for a DATA chunk, or a HEARTBEAT ACK for a HEARTBEAT chunk — for a configurable consecutive number of transmissions. The SCTP sender maintains an error-counter is maintained for each destination address and if this counter exceeds a threshold (normally six), the address is marked as inactive, and taken out of service. If the primary destination address is marked as inactive, all data is then switched to a secondary address to complete the failover.

If no data has been sent to an address for a specified time, that endpoint is considered to be idle and a HEARTBEAT packet is transmitted to it. The endpoint is expected to respond to the HEARTBEAT immediately with a HEARTBEAT ACK. As well as monitoring the status of destination addresses, the HEARTBEAT is used to obtain RTT measurements on idle paths. The primary address becomes active again if it responds to a heartbeat.

The number of events where heartbeats were not acknowledged within a certain time, or retransmission events occurred is counted on a per association basis, and if a certain limit is exceeded, the peer endpoint is considered unreachable, and the association is closed.

The threshold for detecting an endpoint failure and the threshold for detecting a failure of a specific IP addresses of the endpoint are independent of each other. Each parameter can be separately configured by the SCTP user. Careless configuration of these protocol parameters can lead the association onto the dormant state in which all the destination addresses of the peer are found unreachable while the peer still remains in the reachable state. This is because the overall retransmission counter for the peer is still below the set threshold for detecting the peer failure.

## Configuring SCTP Support for SIP

RFC 4168, *The Stream Control Transfer Protocol (SCTP) as a Transport for the Session Initiation Protocol (SIP)*, specifies the requirements for SCTP usage as a layer 4 transport for SIP. Use the following steps to:

- configure SCTP as the layer 4 transport for a SIP interface
- create an SCTP-based SIP port
- associate **phy-interfaces/network interfaces** with SIP realms
- identify adjacent SIP servers that are accessible via SCTP
- set SCTP timers and counters (optional)

## Configuring an SCTP SIP Port

SIP ports are created as part of the SIP Interface configuration process.

1. From superuser mode, use the following command sequence to access sip-port configuration mode.

```
ORACLE# configure terminal
ORACLE(configure)# session-router
ORACLE(session-router)# sip-interface
ORACLE(sip-interface)# sip-ports
ORACLE(sip-port)#
```

2. Use the **address** parameter to provide the IPv4 or IPv6 address of the network interface that supports the SIP port.

This is the primary address of a the local multi-homed SCTP endpoint.

```
ORACLE(sip-port)# address 172.16.10.76
ORACLE(sip-port)#
```

3. Retain the default value, 5060 (the well-known SIP port) for the **port** parameter.

```
ORACLE(sip-port)# port 5060
ORACLE(sip-port)#
```

4. Use the **transport-protocol** parameter to identify the layer 4 protocol.

Supported values are UDP, TCP, TLS, and SCTP.

Select SCTP.

```
ORACLE(sip-port)# transport-protocol sctp
ORACLE(sip-port)#
```

5. Use the **multi-homed-addrs** parameter to specify one or more local secondary addresses of the SCTP endpoint.

Multi-homed addresses must be of the same type (IPv4 or IPv6) as that specified by the **address** parameter. Like the address parameter, these addresses identify SD network interfaces.

To specify multiple addresses, bracket an address list with parentheses.

```
ORACLE(sip-port)# multi-homed-addrs 182.16.10.76
ORACLE(sip-port)#
ORACLE(sip-port)# multi-homed-addrs (182.16.10.76 192.16.10.76
196.15.32.108)
ORACLE(sip-port)#
```

6. Remaining parameters can be safely ignored.
7. Use **done**, **exit**, and **verify-config** to complete configuration of this SCTP-based SIP port.

```
ORACLE(sip-port)# done
ORACLE(sip-interface)# exit
ORACLE(session-router)# exit
ORACLE(configure)# exit
ORACLE# verify-config
-----
-
Verification successful! No errors nor warnings in the configuration
ORACLE#
```

## Configuring the Realm

After configuring a SIP port which identifies primary and secondary multi-homed transport addresses, you identify the network interfaces that support the primary

address and secondary addresses to the realm assigned during SIP Interface configuration.

1. From superuser mode, use the following command sequence to access realm-config configuration mode.

```
ORACLE# configure terminal
ORACLE(configure)# media-manager
ORACLE(media-manager)# realm-config
ORACLE(realm-config)#
```

2. Use the **select** command to access the target realm.
3. Use the **network-interfaces** command to identify the network interfaces that support the SCTP primary and secondary addresses.

Network interfaces are identified by their name.

Enter a list of network interface names using parentheses as list brackets. The order of interface names is not significant.

```
ORACLE(realm-config)# network-interfaces (mo1 M10)
ORACLE(realm-config)#
```

4. Use **done**, **exit**, and **verify-config** to complete realm configuration.

```
ORACLE(realm-config)# done
ORACLE(media-manager)# exit
ORACLE(configure)# exit
ORACLE# verify-config
-----
-
Verification successful! No errors nor warnings in the configuration
ORACLE#
```

## Configuring Session Agents

After configuring the realm, you identify adjacent SIP servers who will be accessed via the SCTP protocol.

1. From superuser mode, use the following command sequence to access session-agent configuration mode.

```
ORACLE# configure terminal
ORACLE(configure)# session-router
ORACLE(session-router)# session-agent
ORACLE(session-agent)#
```

2. Use the **select** command to access the target session-agent.
3. Use the **transport-method** parameter to select the layer 4 transport protocol.

Select staticSCTP for Sctp transport

```
ORACLE(session-agent)# transport-method staticSCTP
ORACLE(session-agent)#
```

4. Set the **reuse-connections** parameter to none.

Select staticSCTP for SCTP transport

```
ORACLE(session-agent)# reuse-connections none
ORACLE(session-agent)#
```

5. Use **done**, **exit**, and **verify-config** to complete session agent configuration.

```
ORACLE(session-agent)# done
ORACLE(session-router)# exit
ORACLE(configure)# exit
ORACLE# verify-config
```

-----

-

```
Verification successful! No errors nor warnings in the configuration
ORACLE#
```

6. Repeat Steps 1 through 5 as necessary to configure additional session agents who will be accessed via SCTP transport.

## Setting SCTP Timers and Counters

Setting SCTP timers and counters is optional. All configurable timers and counters provide default values that conform to recommended values as specified in RFC 4960, Stream Control Transmission Protocol.

Management of Retransmission Timer, section 6.3 of RFC 4960 describes the calculation of a Retransmission Timeout (RTO) by the SCTP process. This calculation involves three SCTP protocol parameters: RTO.Initial, RTO.Min, and RTO.Max. Suggested SCTP Protocol Parameter Values section 15 of RFC 4960 lists recommended values for these parameters.

The following shows the equivalence of recommended values and ACLI defaults.

RTO.Initial = 3 seconds **sctp-rto-initial = 3000 ms (default value)**

RTO.Min = 1 second **sctp-rto-min = 1000 ms (default value)**

RTO.Max = 60 seconds **sctp-rto-max = 60000 ms (default value)**

Path Heartbeat, section 8.3 of RFC 4960 describes the calculation of a Heartbeat Interval by the SCTP process. This calculation involves the current calculated RTO and a single SCTP protocol parameter — HB.Interval.

The following shows the equivalence of recommended the value and ACLI default.

HB.Interval = 30 seconds **sctp-hb-interval = 3000 ms (default value)**

Acknowledgement on Reception of DATA Chunks, section 6.2 of RFC 4960 describes requirements for the timely processing and acknowledgement of DATA chunks. This section requires that received DATA chunks must be acknowledged within 500 milliseconds, and recommends that DATA chunks should be acknowledged with 200 milliseconds. The interval between DATA chunk reception and acknowledgement is specific by the ACLI **sctp-sack-timeout** parameter, which provides a default value of 200 milliseconds and a maximum value of 500 milliseconds.

Transmission of DATA Chunks, section 6.1 of RFC 4960 describes requirements for the transmission of DATA chunks. To avoid network congestion the RFC recommends a limitation on the volume of data transmitted at one time. The limitation is expressed in terms of DATA chunks, not in terms of SCTP packets.

The maximum number of DATA chunks that can be transmitted at one time is specified by the CLI **sctp-max-burst** parameter, which provides a default value of 4 chunks, the limit recommended by the RFC.

## Setting the RTO

An SCTP endpoint uses a retransmission timer to ensure data delivery in the absence of any feedback from its peer. RFC 4960 refers to the timer itself as T3-rtx and to the timer duration as RTO (retransmission timeout).

When an endpoint's peer is multi-homed, the endpoint calculates a separate RTO for each IP address affiliated with the peer. The calculation of RTO in SCTP is similar to the way TCP calculates its retransmission timer. RTO fluctuates over time in response to actual network conditions. To calculate the current RTO, an endpoint maintains two state variables per destination IP address — the SRTT (smoothed round-trip time) variable, and the RTTVAR (round-trip time variation) variable.

Use the following procedure to assign values used in RTO calculation.

1. From superuser mode, use the following command sequence to access network-parameters configuration mode.

```
ORACLE# configure terminal
ORACLE(configure)# system
ORACLE(system)# network-parameters
ORACLE(network-parameters)#
```

2. Use the **sctp-rto-initial** parameter to assign an initial timer duration.

Allowable values are integers within the range 0 through 4294967295 that specify the initial duration in milliseconds. In the absence of an explicitly configured integer value, **sctp-rto-initial** defaults to 3000 milliseconds (3 seconds, the recommended default value from RFC 4960).

As described in Section 6.3 of RFC 4960, the value specified by **sctp-rto-initial** is assigned to the SCTP protocol parameter RTO.Initial, which provides a default RTO until actual calculations have derived a fluctuating duration based on network usage. The value specified by the **sctp-rto-initial** parameter seeds these calculations.

```
ORACLE(network-parameters)# sctp-rto-initial 3000
ORACLE(network-parameters)#
```

3. Use the **sctp-rto-min** and **sctp-rto-max** parameters to assign an RTO floor and ceiling.

Allowable values are integers within the range 0 through 4294967295 that specify the minimum and maximum durations in milliseconds. In the absence of an explicitly configured integer value, **sctp-rto-min** defaults to 1000 ms (1 second, the recommended default value from RFC 4960), and **sctp-rto-max** defaults to 60000 ms (60 seconds, the recommended default value from RFC 4960.)

As described in Section 6.3 of RFC 4960, the values specified by **sctp-rto-min** and **sctp-rto-max** are assigned to the SCTP protocol parameters, RTO.min and RTO.max that limit RTO calculations. If a calculated RTO duration is less than RTO.min, the parameter value is used instead of the calculated value; likewise, if a calculated RTO duration is greater than RTO.max, the parameter value is used instead of the calculated value.

```
ORACLE(network-parameters)# sctp-rto-min 1000
ORACLE(network-parameters)# sctp-rto-max 60000
ORACLE(network-parameters)#
```

4. Use **done**, **exit**, and **verify-config** to complete RTO configuration.

```
ORACLE(network-parameters)# done
ORACLE(system)# exit
ORACLE(configure)# exit
ORACLE(configure)# exit
ORACLE# verify-config
-----
-
Verification successful! No errors nor warnings in the configuration
ORACLE#
```

## Setting the Heartbeat Interval

Both single-homed and multi-homed SCTP endpoints test the reachability of associates by sending periodic HEARTBEAT chunks to UNCONFIRMED or idle transport addresses.

Use the following procedure to assign values used in Heartbeat Interval calculation.

1. From superuser mode, use the following command sequence to access network-parameters configuration mode.

```
ORACLE# configure terminal
ORACLE(configure)# system
ORACLE(system)# network-parameters
ORACLE(network-parameters)#
```

2. Use the **sctp-hb-interval** parameter to assign an initial Heartbeat Interval duration.

Allowable values are integers within the range 0 through 4294967295 that specify the initial Heartbeat Interval in milliseconds. In the absence of an explicitly configured integer value, **sctp-hb-interval** defaults to 30000 milliseconds (30 seconds, the recommended default value from RFC 4960).

As described in Section 8.3 of RFC 4960, the value specified by **sctp-hb-interval** is assigned to the SCTP protocol parameter HB.Interval, which provides a default interval until actual calculations have derived a fluctuating interval based on network usage. The value specified by the **sctp-hb-interval** parameter is used during these calculations.

```
ORACLE(network-parameters)# sctp-hb-interval 30000
ORACLE(network-parameters)#
```



3. Use **done**, **exit**, and **verify-config** to complete Heartbeat Interval configuration.

```
ORACLE(network-parameters)# done
ORACLE(system)# exit
ORACLE(configure)# exit
ORACLE(configure)# exit
ORACLE# verify-config
-----
-
Verification successful! No errors nor warnings in the configuration
ORACLE #
```

## Setting the SACK Delay Timer

An SCTP Selective Acknowledgement (SACK) is sent to the peer endpoint to acknowledge received DATA chunks and to inform the peer endpoint of gaps in the received subsequences of DATA chunks. Section 6.2 of RFC 4960 sets a specific requirement for a SACK Delay timer that specifies the maximum interval between the reception of an SCTP packet containing one or more DATA chunks and the transmission of a SACK to the packet originator.

Use the following procedure to set the SACK Delay timer.

1. From superuser mode, use the following command sequence to access network-parameters configuration mode.

```
ORACLE# configure terminal
ORACLE(configure)# system
ORACLE(system)# network-parameters
ORACLE(network-parameters)#
```

2. Use the **sctp-sack-timeout** parameter to assign a value to the SACK Delay timer.

Allowable values are integers within the range 0 through 500 which specify the maximum delay (in milliseconds) between reception of a SCTP packet containing one or more Data chunks and the transmission of a SACK to the packet source. The value 0 indicates that a SACK is generated immediately upon DATA chunk reception

In the absence of an explicitly configured integer value, **sctp-sack-timeout** defaults to 200 ms (the recommended default value from RFC 4960).

```
ORACLE(network-parameters)# sctp-sack-timeout 200
ORACLE(network-parameters)#
```

3. Use **done**, **exit**, and **verify-config** to complete configuration of the SACK Delay timer.

```
ORACLE(network-parameters)# done
ORACLE(system)# exit
ORACLE(configure)# exit
ORACLE(configure)# exit
ORACLE# verify-config
-----
-
```

```
Verification successful! No errors nor warnings in the configuration
ORACLE#
```

## Limiting DATA Bursts

Section 6.1 of RFC 4960 describes the SCTP protocol parameter, Max.Burst, used to limit the number of DATA chunks that are transmitted at one time.

Use the following procedure to assign a value to the SCTP protocol parameter, Max.Burst.

1. From superuser mode, use the following command sequence to access network-parameters configuration mode.

```
ORACLE# configure terminal
ORACLE(configure)# system
ORACLE(system)# network-parameters
ORACLE(network-parameters)#
```

2. Use the **sctp-max-burst** parameter to assign a value to the SCTP protocol parameter, Max.Burst.

Allowable values are integers within the range 0 through 4294967295 that specify the maximum number of DATA chunks that will be sent at one time. In the absence of an explicitly configured integer value, **sctp-max-burst** defaults to 4 (DATA chunks, the recommended default value from RFC 4960).

```
ORACLE(network-parameters)# sctp-max-burst 4
ORACLE(network-parameters)#
```

3. Use **done**, **exit**, and **verify-config** to complete configuration of DATA burst limitations.

```
ORACLE(network-parameters)# done
ORACLE(system)# exit
ORACLE(configure)# exit
ORACLE(configure)# exit
ORACLE# verify-config
-----
-
Verification successful! No errors nor warnings in the configuration
ORACLE#
```

## Setting Endpoint Failure Detection

As described in Monitoring, Failure Detection and Recovery, a single-homed SCTP endpoint maintains a count of the total number of consecutive failed (unacknowledged) retransmissions to its peer. Likewise, a multi-homed SCTP endpoint maintains a series of similar, dedicated counts for all of its destination transport addresses. If the value of these counts exceeds the limit indicated by the SCTP protocol parameter Association.Max.Retrans, the endpoint considers the peer unreachable and stops transmitting any additional data to it, causing the association to enter the CLOSED state.

The endpoint resets the counter when (1) a DATA chunk sent to that peer endpoint is acknowledged by a SACK, or (2) a HEARTBEAT ACK is received from the peer endpoint.

Use the following procedure to configure endpoint failure detection.

1. From superuser mode, use the following command sequence to access network-parameters configuration mode.

```
ORACLE# configure terminal
ORACLE(configure)# system
ORACLE(system)# network-parameters
ORACLE(network-parameters)#
```

2. Use the **sctp-assoc-max-retrns** to assign a value to the SCTP protocol parameter Association.Max.Retrans.

Allowable values are integers within the range 0 through 4294967295 which specify the maximum number of transmission requests. In the absence of an explicitly configured integer value, **sctp-assoc-max-retrns** defaults to 10 (transmission re-tries, the recommended default value from RFC 4960).

```
ORACLE(network-parameters)# sctp-assoc-max-retrns 10
ORACLE(network-parameters)#
```

3. Use **done**, **exit**, and **verify-config** to complete endpoint failure detection configuration.

```
ORACLE(network-parameters)# done
ORACLE(system)# exit
ORACLE(configure)# exit
ORACLE(configure)# exit
ORACLE# verify-config
-----
-
Verification successful! No errors nor warnings in the configuration
ORACLE#
```

## Setting Path Failure Detection

As described in Monitoring, Failure Detection and Recovery, when its peer endpoint is multi-homed, an SCTP endpoint maintains a count for each of the peer's destination transport addresses.

Each time the T3-rtx timer expires on any address, or when a HEARTBEAT sent to an idle address is not acknowledged within an RTO, the count for that specific address is incremented. If the value of a specific address count exceeds the SCTP protocol parameter Path.Max.Retrans, the endpoint marks that destination transport address as inactive.

The endpoint resets the counter when (1) a DATA chunk sent to that peer endpoint is acknowledged by a SACK, or (2) a HEARTBEAT ACK is received from the peer endpoint.

When the primary path is marked inactive (due to excessive retransmissions, for instance), the sender can automatically transmit new packets to an alternate

destination address if one exists and is active. If more than one alternate address is active when the primary path is marked inactive, a single transport address is chosen and used as the new destination transport address.

Use the following procedure to configure path failure detection.

1. From superuser mode, use the following command sequence to access network-parameters configuration mode.

```
ORACLE# configure terminal
ORACLE(configure)# system
ORACLE(system)# network-parameters
ORACLE(network-parameters)#
```

2. Use the **sctp-path-max-retrans** parameter to assign a value to the SCTP protocol parameter Path.Max.Retrans.

Allowable values are integers within the range 0 through 4294967295 that specify the maximum number of RTOs and unacknowledged HEARTBEATS. In the absence of an explicitly configured integer value, **sctp-path-max-retrans** defaults to 5 (RTO and/or HEARTBEAT errors per transport address, the recommended default value from RFC 4960).

When configuring endpoint and path failure detection, ensure that the value of the **sctp-assoc-max-retrans** parameter is smaller than the sum of the **sctp-path-max-retrans** values for all the remote peer's destination addresses. Otherwise, all the destination addresses can become inactive (unable to receive traffic) while the endpoint still considers the peer endpoint reachable.

```
ORACLE(network-parameters)# sctp-path-max-retrans 5
ORACLE(network-parameters)#
```

3. Use **done**, **exit**, and **verify-config** to complete path failure detection configuration.

```
ORACLE(network-parameters)# done
ORACLE(system)# exit
ORACLE(configure)# exit
ORACLE(configure)# exit
ORACLE# verify-config
-----
-
Verification successful! No errors nor warnings in the configuration
ORACLE#
```

## Specifying the Delivery Mode

As described in Delivery Modes, SCTP support two delivery modes, ordered and unordered.

1. From superuser mode, use the following command sequence to access network-parameters configuration mode.

```
ORACLE# configure terminal
ORACLE(configure)# system
```

```
ORACLE(system)# network-parameters  
ORACLE(network-parameters)#
```

2. Use the **sctp-send-mode** parameter to select the preferred delivery mode.  
Choose ordered or unordered.

```
ORACLE(network-parameters)# sctp-send-mode unordered  
ORACLE(network-parameters)#
```

3. Use **done**, **exit**, and **verify-config** to complete delivery mode configuration.

```
ORACLE(network-parameters)# done  
ORACLE(system)# exit  
ORACLE(configure)# exit  
ORACLE(configure)# exit  
ORACLE# verify-config  
-----  
-  
Verification successful! No errors nor warnings in the configuration  
ORACLE #
```

## Example Configurations

The following ACLI command sequences summarize required SCTP port configuration, and the configuration of required supporting elements.

- PHY interfaces
- Network interfaces
- SIP ports
- realms
- session agents

Sequences show only configuration parameters essential for SCTP operations; other parameters can retain default values, or assigned other values specific to local network requirements.

## Phy Interface Configuration

The first ACLI command sequence configures a **phy-interface** named m10, that will support an SCTP primary address; the second sequence configures a **phy-interface** named m01 that will support a secondary SCTP address.

```
ORACLE# configure terminal  
ORACLE(configure)# system  
ORACLE(system)# phy-interface  
ORACLE(phy-interface)# operation-type media  
ORACLE(phy-interface)# port 0  
ORACLE(phy-interface)# slot 1  
ORACLE(phy-interface)# name m10  
ORACLE(phy-interface)#  
...  
...
```

```
...
ORACLE(phy-interface)#
ORACLE# configure terminal
ORACLE(configure)# system
ORACLE(system)# phy-interface
ORACLE(phy-interface)# operation-type media
ORACLE(phy-interface)# port 1
ORACLE(phy-interface)# slot 0
ORACLE(phy-interface)# name m01
ORACLE(phy-interface)#
...
...
...
ORACLE(phy-interface)#
```

## Network Interface Configuration

These ACLI command sequences configure two **network-interfaces**. The first sequence configures a **network-interface** named m10, thus associating the **network-interface** with the **phy-interface** of the same name. The ACLI **ip-address** command assigns the IPv4 address 172.16.10.76 to the **network-interface**. In a similar fashion, the second command sequence associates the m01 network and **phy-interfaces**, and assigns an IPv4 address of 182.16.10.76.

```
ORACLE# configure terminal
ORACLE(configure)# system
ORACLE(system)# network-interface
ORACLE(network-interface)# name m10
ORACLE(network-interface)# ip-address 172.16.10.76
...
...
...
ORACLE(network-interface)#
ORACLE# configure terminal
ORACLE(configure)# system
ORACLE(system)# network-interface
ORACLE(network-interface)# name m01
ORACLE(network-interface)# ip-address 182.16.10.76
...
...
...
ORACLE(network-interface)#
```

## SIP Port Configuration

This ACLI command sequence configures a SIP port for SCTP operations. It specifies the use of SCTP as the transport layer protocol, and assigns the existing network interface address, 172.16.10.76, as the SCTP primary address. Additionally, it identifies three other existing network addresses (182.16.10.76, 192.16.10.76, and 196.15.32.108) as SCTP secondary addresses.

```
ORACLE# configure terminal
ORACLE(configure)# session-router
```

```
ORACLE(session-router)# sip-interface
ORACLE(sip-interface)# sip-ports
ORACLE(sip-port)# address 172.16.10.76
ORACLE(sip-port)# transport-protocol sctp
ORACLE(sip-port)# multi-homed-addr (182.16.10.76 192.16.10.76
196.15.32.108)
...
...
...
ORACLE(sip-port)#
```

## Realm Configuration

These CLI command sequences configure a realm for SCTP operations. The first CLI sequence assigns a named realm, in this example core-172, to a SIP interface during the interface configuration process. The second sequence accesses the target realm and uses the **network-interfaces** command to associate the named SCTP network interfaces with the realm.

```
ORACLE# configure terminal
ORACLE(configure)# session-router
ORACLE(session-router)# sip-interface
ORACLE(sip-interface)# realm-id core-172
...
...
...
ORACLE(sip-interface)#
ORACLE# configure terminal
ORACLE(configure)# media-manager
ORACLE(media-manager)# realm-config
ORACLE(realm-config)# select
identifier: core-172
1. core-172 ...
selection: 1
ORACLE(realm-config)# network-interfaces (m01 m10 ...)
...
...
...
ORACLE(realm-config)#
```

## Session Agent Configuration

The final CLI command sequence enables an SCTP-based transport connection between the Oracle® Enterprise Session Border Controller and an adjacent network element.

```
ORACLE# configure terminal
ORACLE(configure)# session-router
ORACLE(session-router)# session-agent
ORACLE(session-agent)# select
<hostname>: core-172S1
1. core-172S1 ...
selection: 1
```

```
ORACLE(session-agent)#  
ORACLE(session-agent)# transport-method staticSCTP  
ORACLE(session-agent)# reuse-connections none  
...  
...  
...  
ORACLE(session-agent)#
```

## IPv6 Address Configuration

This section calls out the configurations and parameters for which you can enter IPv6 addresses. In this first IPv6 implementation, the complete range of system configurations and their parameters are available for IPv6 use.

The Oracle® Enterprise Session Border Controller follows RFC 3513 its definition of IPv6 address representations. Quoting from that RFC, these are the two forms supported:

- The preferred form is x:x:x:x:x:x:x, where the 'x's are the hexadecimal values of the eight 16-bit pieces of the address. Examples:

```
FEDC:BA98:7654:3210:FEDC:BA98:7654:3210
```

```
1080:0:0:0:8:800:200C:417A
```

Note that it is not necessary to write the leading zeros in an individual field, but there must be at least one numeral in every field (except for the case described in 2.).

- Due to some methods of allocating certain styles of IPv6 addresses, it will be common for addresses to contain long strings of zero bits. In order to make writing addresses containing zero bits easier a special syntax is available to compress the zeros. The use of "::" indicates one or more groups of 16 bits of zeros. The "::" can only appear once in an address. The "::" can also be used to compress leading or trailing zeros in an address. For example, the following addresses:  
1080:0:0:0:8:800:200C:417A a unicast address  
FF01:0:0:0:0:0:101 a multicast address  
0:0:0:0:0:0:1 the loopback address  
0:0:0:0:0:0:0 the unspecified addresses  
may be represented as:  
1080::8:800:200C:417A a unicast address  
FF01::101 a multicast address  
::1 the loopback address  
:: the unspecified addresses



 **Note:**

For ACLI parameters that support only IPv4, there are many references to that version as the accepted value for a configuration parameter or other IPv4-specific languages. For IPv6 support, these references have been edited. For example, rather than providing help that refers specifically to IPv4 addresses when explaining what values are accepted in an ACLI configuration parameter, you will now see an <ipAddr> note.

## Access Control

These are the IPv6-enabled parameters in the **access-control** configuration.

Parameter	Entry Format
source-address	<ip-address>[/<num-bits>][:<port>[/<port-bits>]]
destination-address	<ip-address>[/<num-bits>][:<port>[/<port-bits>]]

## Host Route

These are the IPv6-enabled parameters in the **host-route** configuration.

Parameter	Entry Format
dest-network	<ipv4>   <ipv6>
netmask	<ipv4>   <ipv6>
gateway	<ipv4>   <ipv6>

## Local Policy

These are the IPv6-enabled parameters in the **local-policy** configuration.

Parameter	Entry Format
from-address	<ipv4>   <ipv6>   POTS Number, E.164 Number, hostname, wildcard
to-address	<ipv4>   <ipv6>   POTS Number, E.164 Number, hostname, wildcard

## Network Interface

These are the IPv6-enabled parameters in the **network-interface** configuration.

Parameter	Entry Format
hostname	<ipv4>   <ipv6>   hostname
ip-address	<ipv4>   <ipv6>
pri-utility-addr	<ipv4>   <ipv6>
sec-utility-addr	<ipv4>   <ipv6>
netmask	<ipv4>   <ipv6>
gateway	<ipv4>   <ipv6>
sec-gateway	<ipv4>   <ipv6>

Parameter	Entry Format
dns-ip-primary	<ipv4>   <ipv6>
dns-ip-backup1	<ipv4>   <ipv6>
dns-ip-backup2	<ipv4>   <ipv6>
add-hip-ip	<ipv4>   <ipv6>
remove-hip-ip	<ipv4>   <ipv6>
add-icmp-ip	<ipv4>   <ipv6>
remove-icmp-ip	<ipv4>   <ipv6>

## ENUM Server

These are the IPv6-enabled parameters in the `enum-config`.

Parameter	Entry Format
enum-servers	[<ipv4>   <ipv6>]:port

## Realm Configuration

These are the IPv6-enabled parameters in the `realm-config`.

Parameter	Entry Format
addr-prefix	[<ipv4>   <ipv6>]/prefix

## Session Agent

These are the IPv6-enabled parameters in the `session-agent` configuration.

Parameter	Entry Format
hostname	<ipv4>   <ipv6>
ip-address	<ipv4>   <ipv6>

## SIP Configuration

These are the IPv6-enabled parameters in the `session-config`.

Parameter	Entry Format
registrar-host	<ipv4>   <ipv6>   hostname   *

## SIP Interface SIP Ports

These are the IPv6-enabled parameters in the `sip-interface>sip-ports` configuration.

Parameter	Entry Format
address	<ipv4>   <ipv6>

## Steering Pool

These are the IPv6-enabled parameters in the **steering-pool** configuration.

Parameter	Entry Format
ip-address	<ipv4>   <ipv6>

## System Configuration

These are the IPv6-enabled parameters in the **system-config**.

Parameter	Entry Format
default-v6-gateway	<ipv6>

## TSCF Configuration

These are the IPv6-enabled parameters in the **TSCF > tscf-address-pool > address-range > network-address**.

Parameter	Entry Format
network-address	<ipv4>   <ipv6>

## IPv6 Support for Management and Telemetry

Several management-oriented parameters on the Oracle® Enterprise Session Border Controller may be configured with IPv6 addresses to be used within IPv6 networks.

The following parameters that are configured with IP addresses accept IPv6 addresses to be used within IPv6 address space.

You may configure the wancom0/eth0 physical interface in the bootparams with an IPv6 address and complementary IPv6 gateway via the following parameters:

- **bootparams, inet on ethernet**
- **bootparams, gateway inet**

You may configure a syslog server with an IPv6 destination address via the following parameter:

- **system, system-config, syslog-servers, address**

You may configure a system access list entry with an IPv6 source address and complementary IPv6 gateway.

- **system, system-access-list, source-address**
- **system, system-access-list, netmask**

You may configure a RADIUS server with an IPv6 destination address via the following parameter:

- **security, authentication, radius-servers, address**

## IPv6 Default Gateway

In the system configuration, you configure a default gateway—a parameter that now has its own IPv6 equivalent.

To configure an IPv6 default gateway:

1. In Superuser mode, type **configure terminal** and press Enter.

```
ORACLE# configure terminal
ORACLE(configure)#
```

2. Type **system** and press Enter.

```
ORACLE(configure)# system
ORACLE(system)#
```

3. Type **system-config** and press Enter.

```
ORACLE(system)# system-config
ORACLE(system-config)#
```

4. **default-v6-gateway**—Set the IPv6 default gateway for this Oracle® Enterprise Session Border Controller. This is the IPv6 egress gateway for traffic without an explicit destination. The application of your Oracle® Enterprise Session Border Controller determines the configuration of this parameter.

5. Save your work.

## IPv6 Link Local Addresses

The Oracle® Enterprise Session Border Controller supports IPv6 Link Local addresses configured for a network interface's gateway.

An IPv6 link local address is signified by its first hexet set to FE80:. Even if a network interface's first hexet is not FE80, but the gateway is, the Oracle® Enterprise Session Border Controller will still function as expected.

### show neighbor-table

The `show neighbor-table` command displays the IPv6 neighbor table and validates that there is an entry for the link local address, and the gateway uses that MAC address.

```
System# show neighbor-table
LINK LEVEL NEIGHBOR TABLE
Neighbor                               Linklayer Address  Netif  Expire
S Flags
300::100                               0:8:25:a1:ab:43    sp0
permanent ? R 871962224
400::100                               0:8:25:a1:ab:45    sp1
permanent ? R 871962516
fe80::bc02:a98f:f61e:20%sp0           be:2:ac:1e:0:20    sp0
4s          ? R 871962808
fe80::bc01:a98f:f61e:20%sp1           be:1:ac:1e:0:20    sp1
```

```

4s          ? R 871963100
-----
-----
ICMPv6 Neighbor Table:
-----
-----
entry: slot port vlan IP                               type      flag
pendBlk Hit MAC
-----
-----
 5   : 1   0   0   fe80::bc01:a98f:f61e:20/64   08-DYNAMIC 1
0    : 1   1   0   be:01:ac:1e:00:20
4    : 1   0   0   0.0.0.0/64                   01-GATEWAY 0
0    : 1   1   0   be:01:ac:1e:00:20
3    : 1   0   0   400::/64                      02-NETWORK 0
0    : 1   0   0   00:00:00:00:00:00
2    : 0   0   0   fe80::bc02:a98f:f61e:20/64   08-DYNAMIC 1
0    : 1   1   0   be:02:ac:1e:00:20
1    : 0   0   0   0.0.0.0/64                   01-GATEWAY 0
0    : 1   1   0   be:02:ac:1e:00:20
0    : 0   0   0   300::/64                      02-NETWORK 0
0    : 0   1   0   00:00:00:00:00:00
-----
-----

```

## Network Interfaces and IPv6

You set many IP addresses in the network interface, one of which is the specific IP address for that network interface and others that are related to different types of management traffic. This section outlines rules you must follow for these entries.

- For the **network-interface ip-address** parameter, you can set a single IP address. When you are working with an IPv6-enabled system, however, note that all other addresses related to that network-interface IP address must be of the same version.
- Heterogeneous address family configuration is prevented for the **dns-ip-primary**, **dns-ip-backup1**, and **dns-ip-backup2** parameters.
- For HIP addresses (**add-hip-ip**), you can use either IPv4 or IPv6 entries.
- For ICMP addresses (**add-icmp-ip**), you can use either IPv4 or IPv6 entries.

## IPv6 Reassembly and Fragmentation Support

As it does for IPv4, the Oracle® Enterprise Session Border Controller supports reassembly and fragmentation for large signaling packets when you enable IPV6 on your system.

The Oracle® Enterprise Session Border Controller takes incoming fragments and stores them until it receives the first fragment containing a Layer 4 header. With that header information, the Oracle® Enterprise Session Border Controller performs a look-up so it can forward the packets to its application layer. Then the packets are re-assembled at the applications layer. Media fragments, however, are not reassembled and are instead forwarded to the egress interface.

On the egress side, the Oracle® Enterprise Session Border Controller takes large signaling messages and encodes it into fragment datagrams before it transmits them.

Note that large SIP INVITE messages should be sent over TCP. If you want to modify that behavior, you can use the SIP interface's option parameter **max-udp-length=xx** for each SIP interface where you expect to receive large INVITE packets.

Other than enabling IPv6 on your Oracle® Enterprise Session Border Controller, there is no configuration for IPv6 reassembly and fragmentation support. It is enabled automatically.

## Access Control List Support

The Oracle® Enterprise Session Border Controller supports IPv6 for access control lists in two ways:

- For static access control lists that you configure in the **access-control** configuration, your entries can follow IPv6 form. Further, this configuration supports a prefix that enables wildcarding the source IP address.
- Dynamic ACLs are also supported; the Oracle® Enterprise Session Border Controller will create ACLs for offending IPv6 endpoints.

## Data Entry

When you set the **source-address** and **destination-address** parameters in the **access-control** configuration, you will use a slightly different format for IPv6 than for IPv4.

For the **source-address**, your IPv4 entry takes the following format: <ip-address>[/<num-bits>][:<port>[/<port-bits>]]. And for the **destination-address**, your IPv4 entry takes this format: <ip-address>[:<port>[/<port-bits>]].

Since the colon (:) in the IPv4 format leads to ambiguity in IPv6, your IPv6 entries for these settings must have the address encased in brackets ([ ]): [7777::11]/64:5000/14.

In addition, IPv6 entries are allowed up to 128 bits for their prefix lengths.

The following is an example access control configuration set up with IPv6 addresses.

```
ORACLE(access-control)# done
access-control
    realm-id                net7777
    description
    source-address          7777::11/64:5060/8
    destination-address     8888::11:5060/8
    application-protocol    SIP
    transport-protocol      ALL
    access                  deny
    average-rate-limit      0
    trust-level             none
    minimum-reserved-bandwidth 0
    invalid-signal-threshold 10
    maximum-signal-threshold 0
    untrusted-signal-threshold 0
    deny-period             30
```

## Homogeneous Realms

IPv6 is supported for realms and for nested realms, as long as the parent chain remains within the same address family. If you try to configure realms with mixed IPv4-IPv6 addressing, your system will issue an error message when you try to save your configuration. This check saves you time because you do not have to wait to run a configuration verification (using the ACLI **verify-config** command) to find possible errors.

### Parent-Child Network Interface Mismatch

Your system will issue the following error message if parent-child realms are on different network interfaces that belong to different address families:

```
ERROR: realm-config [child] and parent [net8888] are on network
interfaces that belong to different address families
```

### Address Prefix-Network Interface Mismatch

If the address family and the address-prefix you configure for the realm does not match the address family of its network interface, your system will issue the following error message:

```
ERROR: realm-config [child] address prefix and network interface
[1:1:0] belong to different address families
```

## RADIUS Support for IPv6

The Oracle® Enterprise Session Border Controller's RADIUS support includes:

- RADIUS CDR generation for SIPv6-SIPv6 and SIPv6-SIPv4 calls
- IPv6-based addresses in RADIUS CDR attributes

The sixteen-byte requirement for IPv6 addresses is supported, and there is a set of attributes with the type `ipv6addr`. Attributes 155-170 are reserved for the IPv6 addresses.

NAS addresses use the number 95 to specify the NAS-IPV6-Address attribute. And local CDRs now contain IPv6 addresses.

### Supporting RADIUS VSAs

The following VSAs have been added to the Oracle RADIUS dictionary to support IPv6.

Acme-Flow-In-Src-IPv6_Addr_FS1_F	155	ipv6addr	Acme
Acme-Flow-In-Dst-IPv6_Addr_FS1_F	156	ipv6addr	Acme
Acme-Flow-Out-Src-IPv6_Addr_FS1_F	157	ipv6addr	Acme
Acme-Flow-Out-Dst-IPv6_Addr_FS1_F	158	ipv6addr	Acme
Acme-Flow-In-Src-IPv6_Addr_FS1_R	159	ipv6addr	Acme

Acme-Flow-In-Dst-IPv6_Addr_FS1_R	160	ipv6addr	Acme
Acme-Flow-Out-Src-IPv6_Addr_FS1_R	161	ipv6addr	Acme
Acme-Flow-Out-Dst-IPv6_Addr_FS1_R	162	ipv6addr	Acme
Acme-Flow-In-Src-IPv6_Addr_FS2_F	163	ipv6addr	Acme
Acme-Flow-In-Dst-IPv6_Addr_FS2_F	164	ipv6addr	Acme
Acme-Flow-Out-Src-IPv6_Addr_FS2_F	165	ipv6addr	Acme
Acme-Flow-Out-Dst-IPv6_Addr_FS2_F	166	ipv6addr	Acme
Acme-Flow-In-Src-IPv6_Addr_FS2_R	167	ipv6addr	Acme
Acme-Flow-In-Dst-IPv6_Addr_FS2_R	168	ipv6addr	Acme
Acme-Flow-Out-Src-IPv6_Addr_FS2_R	169	ipv6addr	Acme
Acme-Flow-Out-Dst-IPv6_Addr_FS2_R	170	ipv6addr	Acme

## NTP Synchronization

This section provides information about how to set and monitor NTP on your Oracle® Enterprise Session Border Controller.

When an NTP server is unreachable or when NTP service goes down, the Oracle® Enterprise Session Border Controller generates traps for those conditions. Likewise, the Oracle® Enterprise Session Border Controller clears those traps when the conditions have been rectified. The Oracle® Enterprise Session Border Controller considers a configured NTP server to be unreachable when its reach number (whether or not the NTP server could be reached at the last polling interval; successful completion augments the number) is 0. You can see this value for a server when you use the ACLI **show ntp server** command.

- The traps for when a server is unreachable and then again reachable are: **apSysMgmtNTPServerUnreachableTrap** and **apSysMgmtNTPServerUnreachableClearTrap**
- The traps for when NTP service goes down and then again returns are: **apSysMgmtNTPServiceDownTrap** and **apSysMgmtNTPServiceDownClearTrap**

### Note:

The Oracle® Enterprise Session Border Controller does not support NTP service over wancom0 when that interface is configured for a VLAN.

## Setting NTP Synchronization

When the Oracle® Enterprise Session Border Controller requires time-critical processing, you can set NTP for time synchronization. Setting NTP synchronizes both the hardware and the software clocks with the reference time from an NTP server that you specify. NTP is most useful for synchronizing multiple devices located on one network, or across many networks, to a reference time standard.

To guard against NTP server failure, NTP is restarted periodically to support the dynamic recovery of an NTP server.

Note that **ntp-sync** works only by way of the management interface and only on wancom0. Do not configure **ntp-sync** by way of the media interface or any other port.



To set NTP synchronization:

1. In the ACLI's configure terminal section, type **ntp-sync** and then press Enter to access the NTP configuration.

```
ORACLE# configure terminal
ORACLE(configure)# ntp-sync
ORACLE(ntp-config)#
```

2. To add an NTP server, type **add-server**, the Space bar, the IPv4 or IPv6 address of the server and then press the Enter key.

For example, this entry adds the NTP server at the Massachusetts Institute of Technology in Cambridge, MA:

```
ORACLE(ntp-config)# add-server 18.26.4.105
```

3. To delete an NTP server, type **delete-server**, the Space bar, and the IPv4 or IPv6 address of the server you want to delete and then press the Enter key.

```
ORACLE(ntp-config)# del-server 18.26.4.105
```

## Authenticated NTP

The Oracle® Enterprise Session Border Controller can authenticate NTP server requests using MD5. The configured MD5 keys are encrypted and obscured in the ACLI. You configure an authenticated NTP server with its IP address, authentication key, and the key ID. Corresponding key and key IDs are provided by the NTP server administrator.

To configure an authenticated NTP server:

1. Access the ntp-config configuration element.

```
ORACLE# configure terminal
ORACLE(configure)# ntp-sync
ACMEPACKET(ntp-config)#
```

2. Type select.

```
ORACLE(ntp-config)# select
```

3. Access the auth-servers configuration element

```
ORACLE(ntp-config)# auth-servers
ORACLE(auth-servers)#
```

4. ip-address — Enter the IPv4 or IPv6 address of the NTP server that supports authentication.
5. key-id — Enter the key ID of the key you enter in the next step. This value's range is 1 - 999999999.
6. key — Enter the key used to secure the NTP requests. The key is a string 1 - 31 characters in length.

7. Type **done** to save your work.
8. Type **exit** to return to the previous configuration level.
9. Type **done** to save the parent configuration element.

## Monitoring NTP from the ACLI

NTP server information that you can view with the **show ntp server** command tell you about the quality of the time being used in terms of offset and delays measurements. You can also see the maximum error bounds.

When you use this command, information for all configured servers is displayed. Data appears in columns that are defined in the table below:

Display Column	Definition
server	Lists the NTP servers configured on the Oracle® Enterprise Session Border Controller by IP address. Entries are accompanied by characters: Plus sign (+)—Symmetric active server Dash (-)—Symmetric passive server Equal sign (=)—Remote server being polled in client mode Caret (^)—Server is broadcasting to this address Tilde (~)—Remote peer is sending broadcast to * Asterisk (*)—The peer to which the server is synchronizing
st	Stratum level—Calculated from the number of computers in the NTP hierarchy to the time reference. The time reference has a fixed value of 0, and all subsequent computers in the hierarchy are n+1.
poll	Maximum interval between successive polling messages sent to the remote host, measured in seconds.
reach	Measurement of successful queries to this server; the value is an 8-bit shift register. A new server starts at 0, and its reach augments for every successful query by shifting one in from the right: 0, 1, 3, 7, 17, 37, 77, 177, 377. A value of 377 means that there have been eight successful queries.
delay	Amount of time a reply packet takes to return to the server (in milliseconds) in response.
offset	Time difference (in milliseconds) between the client's clock and the server's.
disp	Difference between two offset samples; error-bound estimate for measuring service quality.

## View Statistics

To view statistics for NTP servers:

- At the command line, type **show ntp server** and press Enter.

```
ORACLE# show ntp server
NTP Status                                FRI APR 11:09:50 UTC 2007
server          st  poll  reach  delay  offset  disp
-----
*64.46.24.66    3   64   377   0.00018  0.000329  0.00255
=61.26.45.88    3   64   377   0.00017  0.002122  0.00342
```

You can see the status of NTP on your system by using the **show ntp status** command. Depending on the status of NTP on your system, one of the following messages will appear:

- NTP not configured
- NTP Daemon synchronized to server at [the IP address of the specific server]
- NTP synchronization in process
- NTP down, all configured servers are unreachable

## View Status

To view the status of NTP on your Oracle® Enterprise Session Border Controller:

- At the command line, type **show ntp status** and press Enter.

```
ORACLE# show ntp status
```

## Telephony Fraud Protection

You can use the Oracle® Enterprise Session Border Controller (E-SBC) to protect against fraudulent calls by enabling Telephony Fraud Protection and creating lists of phone numbers to block, allow, redirect, and rate limit calls. The lists reside together in a single source-file that you create and manage. The source-file can contain any combination of the list types and it can reside on either the E-SBC or in Session Delivery Manager (SDM) because you can manage Telephony Fraud Protection from either one. The following information explains using Telephony Fraud Protection on the E-SBC. See the *Oracle Communications Session Element Manager User Guide for the Enterprise Edge and Core Plug-in* for managing Telephony Fraud Protection from SDM.

### Fraud Protection List Types and Uses

The E-SBC supports the following types of lists for protecting against fraudulent calls.

**Blacklist**—Use the blacklist to specify a fraudulent call based on the destination phone number or URI. You can add a known fraudulent destination to the blacklist by prefix or by fixed number. When the E-SBC receives a call to an entry on the blacklist, the system rejects the call according to the SIP response code that you specify. When the system determines a match and blocks a call, the default response is "403 Forbidden." You can set another SIP response code from the standard list of responses defined in RFC3261 by way of the **local-response-map** configuration and the local error **fraud-protection-reject-call** setting.

**White List**—Use the white list to manage any exception to the blacklist. Suppose you choose to block a prefix such as +49 555 123 by way of the blacklist. This also blocks calls to individual numbers starting with this prefix, such as +49 555 123 666. If you add a prefix or individual number to the white list, the system allows calls to the specified prefix and number. Continuing with the example, if you add +49 555 123 6 to the white list, the system allows calls to +49 555 123 666, which was blocked by the blacklist entry of +49 555 123.

**Redirect List**—Use the redirect list to send a fraudulent call to an Interactive Voice Response (IVR) system, or to a different route. For example, you can intercept and

redirect a call going to a revenue-share fraud target in a foreign country to an end point that defeats the fraud. Or, you might want to redirect subscribers dialing a particular number and URI to an announcement to make them aware that an account is compromised and tell them what they should do. You can use an external server to provide such an announcement or you can use the E-SBC media playback function.

**Rate Limit List**—Use rate limiting to limit the loss of money, performance, and availability that an attack might cause. While local ordinances may not allow you to completely block or suppress communication, you may want to reduce the impact of a disruption with rate limiting until a network engineer can analyze an attack and plan remediation. For example, you might want time to find the origin of an attack or to add attackers to a blacklist. Note that rate limiting may not function immediately after a High Availability switch over because the newly active system must re-calculate the call rate before it can apply rate limiting.

### Configuration

The process for using Telephony Fraud Protection includes the following steps:

1. Enable Telephony Fraud Protection
2. Specify the source of fraud protection management
3. Create the file that contains the list of phone numbers to manage
4. Activate the fraud protection file

You can create the fraud protection phone number list on the File Management page on the Web GUI, or you can create it externally in XML and upload it to the E-SBC. Save the file to `/code/fpe/<filename>`. In the *Web GUI User Guide*, see "Configure Telephony Fraud Protection," "Create a Telephony Fraud Protection File," and "Telephony Fraud Protection File Activation." If you want to create the fraud protection file externally, see "Fraud Protection XML Source File Example."

You can enable Telephony Fraud Protection from either the Web GUI or from the CLI command line, but you cannot manage fraud protection from the CLI. You must use the Web GUI for management, and only in Expert mode.

Telephony Fraud Protection is included in the advanced license.

### Administration

When you configure the E-SBC to manage Telephony Fraud Protection, the system applies the following behavior:

- An Administrator with privileges can Refresh, Add, and Upload an unselected file, and Edit, Download, and Delete a selected file.
- An Administrator with no privileges can only view the fraud protection file.

To view fraud protection data:

- From the CLI, use the show commands to view fraud protection statistics. See "Telephony Fraud Protection Show Commands."
- From the Web GUI, use the Show Summary, Show Blacklist, Show White List, Show Call Redirect List, and Show Rate Limit Widgets.

 **Note:**

The Telephony Fraud Protection feature does not affect emergency calls or block any calls while you are loading entries.

### High Availability

Telephony Fraud Protection supports High Availability (HA).

- When the E-SBC manages the Telephony Fraud Protection file—Use the **synchronize file <filename>** command to copy the Telephony Fraud Protection file to the standby after an HA switch over.
- When the Enterprise Telephony Fraud Manager in SDM manages the Telephony Fraud Protection file—After an HA switch over, the newly active E-SBC sends the RESYNC command to the Fraud Manager on SDM, requesting the latest file. SDM responds with the name and location of the file, which the E-SBC downloads from SDM.
- Note that after a switch over, rate limiting may not take effect immediately because the new Active system needs time to recalculate the call rate before it can apply rate limiting.

### Telephony Fraud Protection Management from SDM

If you prefer to manage Telephony Fraud Protection from the Enterprise Fraud Manager in SDM, rather than from the E-SBC, store the fraud protection list in a file named **sbcb\_fpe\_entries.xml** (case sensitive) in SDM. You can edit the file in SDM, which will notify the E-SBC afterwards to download the file to its **/code/fpe** directory. When the E-SBC is part of an HA pair, the Active partner automatically pushes the updated file to the Standby partner. In the event of an unsuccessful download, the system raises an SNMP alarm. Should the connection to SDM ever go down, the system also raises an SNMP alarm and sends a trap. When the connection gets re-established, the alarm and trap clear, and the E-SBC sends a RESYNC command to SDM.

### Unsupported Functions

Telephony Fraud Protection for the E-SBC does not support the following:

- IPv6
- H.323
- InterWorking Function (IWF)
- Comm Monitor

## Telephony Fraud Protection Target Matching Rules

When matching a call to an entry on a telephony fraud protection list, the Oracle® Enterprise Session Border Controller (E-SBC) performs the matching only on the ingress leg of the initial INVITE. In the initial INVITE, the E-SBC uses the From, To, and User-Agent headers for matching. Because you can place a phone number on multiple types of fraud prevention lists in the same source file, the E-SBC uses the following evaluation hierarchy to determine which number takes precedence:

1. Longest match—The most specific entry takes precedence. For example, when 555-123-4000 is blacklisted and 555-123-\* is white listed, the system blocks the call from 555-123-4000 because it is the longest match.
2. Destination—When the system detects matches in both the SIP **From** header and the SIP **To** header, the match for the **To** header takes precedence.
3. URI—When the system detects matches in both the **USER** and **Host** parts of a SIP URI, the match for the **USER** part takes precedence.
4. SIP User-Agent header—Lowest priority. When nothing else matches, and there is a match for the User-Agent field, the E-SBC acts as instructed.
5. Multiple instances—When the system detects multiple instances of the same match length, or when the target resides in multiple lists, the system uses the following order of precedence:
  1. White list—Entries on the white list take precedence with no restrictions. For example, when 555-123-4567 is on both the blacklist and the white list, the system allows this call because the number is on the white list.
  2. Blacklist
  3. Redirect
  4. Rate limiting

 **Note:**

The telephony fraud protection feature does not affect emergency calls.

The telephony fraud protection feature uses source or destination IP, source or destination name or phone number, and caller user-agent to identify a caller. The system enforces the following rules for formatting entries on a fraud protection list:

**Hostname**

Format: Enter the exact IP address or FQDN.

**User name**

Format: Enter the exact user name. For example: joe.user or joe\_user.

**User-Agent-Header**

The User-Agent header text in the INVITE message from the first call leg. This text usually contains the brand and firmware version of the SIP device making the call. For example, sipcli/v1.8, Asterisk PBX 1.6.026-FONCORE-r78.

Format: Enter the exact text.

**Phone Number**

Format: Enter the exact number or a partial number using the following characters to increase the scope of the matches.

Asterisk *	Use to indicate prefix matching, but only at the end of the pattern. For example, use 555* not *555. Do not use * in any other patterns, for example, in brackets [ ], parentheses ( ), or with an x.
------------	---

Square Brackets [ ]	Use to enclose ranges in a pattern. Syntax: [min-max]. For example: 555 [0000-9999]. The system considers 8[1-20]9 and 8[01-20]9 to contain the same number of characters because the leading 0 is implied. The system strictly enforces this pattern with respect to the range and the number of characters, as follows: <ul style="list-style-type: none"> <li>• 8019 matches</li> <li>• 819 does not match</li> <li>• 8119 matches</li> </ul>
Character x	Use as a wildcard at the end of a dial pattern to mean 0-9. For example: 555xxx means match a number starting with 555 followed by 3 digits from 0-9.
Parentheses ( )	Use to enclose optional digits in a pattern. For example: 555xx(xxxx) means match a number starting with 555 plus a minimum of 2 digits, and optionally up to 4 more digits.

## Telephony Fraud Protection File Activation

After you create, edit, or upload the telephony fraud protection file, you must activate the file before the Oracle® Enterprise Session Border Controller (E-SBC) can use it as the source of the fraud protection lists. The system recognizes only one file at a time as the active file.

The first time you configure the E-SBC to manage fraud protection, the system activates the file when you save and activate the configuration. After the initial configuration, the system does not automatically refresh the fraud protection file when you save and activate other configuration changes on the E-SBC. You must upload a new file or edit the existing file and activate it to update the file. The exception occurs when you specify a new file name in the fraud protection configuration and coincidentally make changes to other configurations, and then save and activate all of the changes at the same time.

After the initial configuration, use the following methods to activate the fraud protection file.

- **New File**—After you create or upload a new file, go to Fraud Protection configuration, enter the name of the new file, and click Save. The system prompts for activation upon a successful Save. Note that you can decline the inline activation and manually activate the file later. For example, you might want to edit an uploaded file before activation.
- **Overwrite File**—When you upload a file with the same name as the existing file, the system prompts for activation upon upload.
- **Edit File**—When you edit the existing file directly from the Web GUI, the system prompts for activation after you save the edits.
- **Refresh File**—When you want to use the CLI to refresh the fraud protection file, send the file to the E-SBC and use the `notify fped refresh` command. The name of the file that you refresh must match the name of the file specified in the configuration.

 **Note:**

The system displays an alert on the Notifications menu to remind you that the fraud protection file needs activation.

## Telephony Fraud Protection Data Types and Formats

Use the information in the following tables when you create or edit a fraud protection list in the Add Fraud Protection Entry and Modify Fraud Protection Entry dialogs.

### Data Type Descriptions

The following table describes the data types listed in the **Type** drop-down list.

from-hostname	The hostname from the SIP FROM header.
from-phone-number	The phone number from the SIP FROM header
from-username	The user name from the SIP FROM header.
to-hostname	The hostname from the SIP TO header.
to-phone-number	The phone number from the SIP TO header.
to-username	The user name from the SIP TO header.
user-agent-header	The SIP User-Agent header.

### Match Value Formats

The following table describes the formats required for the data types.

hostname	Enter the exact IP address or FQDN.
username	Enter the exact user name. For example: joe.user or joe_user.
user-agent-header	Enter the exact text match to the SIP User-Agent header. For example: equipment vendor information.
phone-number	<p>You can use the following characters for phone-number:</p> <ul style="list-style-type: none"> <li>• Asterisk *. Use to indicate prefix matching, but only at the end of the pattern. For example, use 555* not *555. Do not use * in any other patterns, for example, in brackets [ ], parentheses ( ), or with an x.</li> <li>• Brackets [ ]. Use to enclose ranges in a pattern. Syntax: [min-max]. For example: 555 [0000-9999].</li> <li>• Parentheses. ( ) Use to enclose optional digits in a pattern. For example: 555xx(xxxx) means 555 with between 2 and 4 following digits.</li> <li>• Character x. Use as a wildcard at the end of a dial pattern to mean 0-9. For example: 555xxx means a number starting with 555 followed by 3 digits.</li> </ul>



**▲ Caution:**

The use of encoding characters is especially susceptible to creating overlapping dial pattern matches that can result in unexpected behavior.

## Configure Telephony Fraud Protection

The telephony fraud protection feature requires configuration, which you can perform from the Oracle® Enterprise Session Border Controller (E-SBC) CLI by way of the **fraud-protection** configuration element under System.

- Confirm that you own the Advanced license.
- Add or upload at least one telephony fraud protection file to the E-SBC.
- Note the name of the fraud protection file that you want to use.

Use this procedure to enable telephony fraud protection on the E-SBC. You must specify the fraud protection file name and activate the configuration. You cannot specify multiple fraud protection files because the system recognizes only one file as the active source file.

1. Access the **fraud-protection** configuration element.

```
ORACLE# configure terminal
ORACLE(configure)# system
ORACLE(session-router)# fraud-protection
```

2. Type **select**, and press ENTER.
3. Type **show**, and press ENTER.
4. Do the following:

mode	Select one of the following modes: <ul style="list-style-type: none"> <li>• <b>local</b>—Use the E-SBC as the source of the fraud protection file.</li> <li>• <b>comm-monitor</b>—Not currently supported.</li> <li>• <b>disabled</b>—Default.</li> </ul>
file name	Enter the name of the fraud protection file. Syntax: /code/fpe/<filename>
options	Add fraud protection options. (Not supported in some releases. )
allow-remote-call-terminate	Not currently supported.

5. Save and activate the configuration.

## Refresh the Telephony Fraud Protection File

You can refresh the telephony fraud protection file from the ACLI with the **notify fped refresh** command. This command updates the runtime table by reloading the entries in the file specified in the fraud-protection configuration.

- SFTP the updated file to the E-SBC.
- Confirm that the name of the updated file matches the name of the file specified in the configuration.

Use the following procedure apply updates to the telephony fraud protection file.

1. Log on to the ACLI.
2. Type **notify fped refresh**, and press ENTER.

The system confirms a successful refresh.

## Telephony Fraud Protection ACLI Show Commands

The Oracle® Enterprise Session Border Controller (E-SBC) supports viewing and refreshing telephony fraud protection statistics by way of ACLI commands. The displayed data is read-only.

The following ACLI commands provide displays of telephony fraud protection statistics.

`show-fraud-protection <list type> <matches-only>`—Use this command to display all entries or only entries on a particular fraud prevention list, and optionally, to show only the entries on the specified list that incurred a match. Use one of the following variables for <list type>:

- `all`—displays all entries
- `blacklist`—displays only the blacklist matches
- `whitelist`—displays only the white list matches
- `redirect`—displays only the redirect matches
- `ratelimit`—displays only the rate limit matches

Command Examples:

- `show-fraud-protection all`—displays all blacklist, redirect, white list, and rate limit entries.
- `show-fraud-protection all matches-only`—displays only the matches for blacklist, redirect, white list, and rate limit entries.
- `show-fraud-protection blacklist`—displays only the blacklist, showing all entries.
- `show-fraud-protection blacklist matches-only`—displays only the matches for blacklist entries.

Display Examples

```
show fraud-protection all
17:31:09-109
```

List Type	To/From	Match Value	Ingress Realm	No. of Hits		
				Recent	Total	PerMax
BLACKLIST	To	1809*	peer	0	0	0
BLACKLIST	To	22478300501	access	0	0	0
BLACKLIST	From	172.38.10.0/24	enterpriseco	0	0	0
BLACKLIST	From	192.168.39.0/24	peer	0	0	0
BLACKLIST	From	roberto.veras	peer	0	0	0
RATE_LIMIT	To	20.20.20.20	boston.com	0	0	0
RATE_LIMIT	From	18092059090	peer	0	0	0
RATE_LIMIT	From	peter.paker	nyrealm	0	0	0
REDIRECT	To	john.doe	domain	0	0	0
REDIRECT	From	10.10.10.10	nyrealm	0	0	0
REDIRECT	From	18092059080	peer	0	0	0
WHITELIST	To	1978973[0000-9999]	peer	0	0	0
WHITELIST	To	22478300501	access	0	0	0
WHITELIST	From	172.38.10.0/24	service_provider	0	0	0

Total hits: 0  
Total entries: 14  
Total displayed entries: 14  
File name: my\_entries.xml  
Last file upload time: 2015-07-22 17:28:08

## BLACKLIST

`show-fraud-protection`—Use to display all entries with matches-only

`show fraud-protection stats`—Use to display Recent, Total, and Period Maximum statistics for the fraud protection lists: For example: STATS

```
show fraud-protection stats
```

Fraud Protection Engine Stats	---- Lifetime ----		
	Recent	Total	PerMax
Blacklisted Calls	0	0	0
Whitelisted Calls	0	0	0
Ratelimited Calls	0	0	0
Redirected Calls	0	0	0
Blacklist Rejected Calls	0	0	0
Ratelimit Rejected Calls	0	0	0

The following ACLI commands refresh displays of fraud protection entries.

`notify fped refresh`—Use to update the fraud protection lists table after you make changes. If for some reason the refresh command is unsuccessful and cannot update the list with new data, the system preserves the existing data.

`notify fped reset-stats`—Use to reset the fraud protection statistics counter to zero, for example, to begin a new data collection period.

## Telephony Fraud Protection verify-config

When you run the `verify-config` command for telephony fraud protection, the system verifies the following:

- If the fraud protection mode is set to `comm-monitor`, a `comm-monitor` configuration exists.
- If the fraud protection mode is set to `comm-monitor`, the fraud protection file name is empty. You cannot specify a file when the SBC is connected to SDM.

## Fraud Protection XML Source File Example

When you enable the Oracle® Enterprise Session Border Controller (E-SBC) to protect against fraudulent calls, you must create lists of phone numbers or IP addresses to block, allow, redirect, and rate limit calls. The lists reside together in a single file that you specify as the source file in the fraud protection configuration. The source file can contain any combination of the list types, but the system limits the size of the fraud protection file to 100,000 total entries.

The following example shows an XML file created as the source file for fraud protection. The file includes a section for each type of list, which includes call-blacklist, call-white list, call-limit, and call-redirect. The example shows the coding for adding the source-ip, destination-phone, realm, calls-per-second for rate limiting, and the target for a redirected call.

```
<?xml version="1.0" encoding="UTF-8"?>
<oracleSbcFraudProtectionApi version='1.0'>
  <call-blacklist>
    <userEntry>
      <from-hostname>123.45.67.8/90 </from-hostname>
      <realm><realm_name></realm>
    </userEntry>
    <userEntry>
      <to-phone-number>12345678901</to-phone-number>
      <realm>Ocean</realm>
    </userEntry>
    <userEntry>
      <to-phone-number>1234* </to-phone-number>
    </userEntry>
  </call-blacklist>
  <call-whitelist>
    <userEntry>
      <from-hostname>123.45.67.8/90 </from-hostname>
      <realm><realm_name></realm>
    </userEntry>
    <userEntry>
      <to-phone-number>12345678901</to-phone-number>
      <realm>Ocean</realm>
    </userEntry>
    <userEntry>
      <to-phone-number>1234567 [0000-9999] </to-phone-number>
      <realm>Mountain</realm>
    </userEntry>
  </call-whitelist>
  <call-rate-limit>
    <userEntry>
      <from-phone-number>19877654321 </from-phone-number>
      <realm>Mountain</realm>
      <calls-per-second>5</calls-per-second>
    </userEntry>
  </call-rate-limit>
  <call-redirect>
    <userEntry>
      <from-phone-number>19877654321 </from-phone-number>
      <realm>Mountain</realm>
      <target>sip:support@phonesystem.com</target>
    </userEntry>
  </call-redirect>
</oracleSbcFraudProtectionApi>
```

Note that the E-SBC enforces an order of precedence among the lists. See "Telephony Fraud Protection Target Matching Rules."

# 3

## Realms and Nested Realms

### Overview

Realms are a logical distinction representing routes (or groups of routes) reachable by the Oracle® Enterprise Session Border Controller and what kinds of resources and special functions apply to those routes. Realms are used as a basis for determining ingress and egress associations to network interfaces, which can reside in different VPNs. The ingress realm is determined by the signaling interface on which traffic arrives. The egress realm is determined by the following:

- Routing policy—Where the egress realm is determined in the session agent configuration or external address of a SIP-NAT
- Realm-bridging—As applied in the SIP-NAT configuration and H.323 stack configurations
- Third-party routing/redirect (i.e., SIP redirect or H.323 LCF)

Realms also provide configuration support for denial of service (DoS)/access control list (ACL) functionality.

Realms can also be nested in order to form nested realm groups. Nested realms consist of separate realms that are arranged within a hierarchy to support network architectures that have separate backbone networks and VPNs for signaling and media. This chapter provides detailed information about nested realms after showing you how to configure realms on your Oracle® Enterprise Session Border Controller.

### About Realms and Network Interfaces

All realms reference network interfaces on the Oracle® Enterprise Session Border Controller. This reference is made when you configure a list of network interfaces in the realm configuration.

You configure a network interface to specify logical network interfaces that correspond existing phy-interfaces on the Oracle® Enterprise Session Border Controller. Configuring multiple network interfaces on a single phy-interface creates a channelized phy-interface, a VLAN. VLANs, in turn, allow you to reuse address space, segment traffic, and maximize bandwidth.

In order to reach the realms you configure, you need to assign them network interfaces. The values you set for the name and port in the network interface you select then indicate where the realm can be reached.

### About the SIP Home Realm

The realm configuration is also used to establish what is referred to as the SIP home realm. This is the realm where the Oracle® Enterprise Session Border Controller's SIP proxy sits.

In peering configurations, the SIP home realm is the internal network of the SIP proxy. In backbone access configurations, the SIP home realm typically interfaces with the backbone connected network. In additions, the SIP home realm is usually exposed to the Internet in an HNT configuration.

Although you configure a SIP home realm in the realm configuration, it is specified as the home realm in the main SIP configuration by the home realm identifier parameter. Specifying the SIP home realm means that the Oracle® Enterprise Session Border Controller's SIP proxy can be addressed directly by connected entities, but other connected network signaling receives layer 3 NAT treatment before reaching the internal SIP proxy.

## About Realms and Other Oracle® Enterprise Session Border Controller Functions

Realms are referenced by other configurations in order to support this functionality across the protocols the Oracle® Enterprise Session Border Controller supports and to make routing decisions. Other configurations' parameters that point to realms are:

- SIP configuration: home realm identifier, egress realm identifier
- SIP-NAT configuration: realm identifier
- H.323 stack configuration: realm identifier
- Session agent configuration: realm identifier
- Media manager: home realm identifier
- Steering ports: realm identifier
- Static flow: in realm identifier, out realm identifier

## Realms

Realm configuration is divided into the following functional areas, and the steps for configuring each are set out in this chapter: identity and IP address prefix, realm interfaces, realm service profiles, QoS measurement, QoS marking, address translation profiles, and DNS server configuration.

## Before You Configure

Before you configure realms, you want to establish the phy and network interfaces with which the realm will be associated.

- Configure a phy-interface to define the physical characteristics of the signaling line.
- Configure a network-interface to define the network in which this realm is participating and optionally to create VLANs.

If you wish to use QoS, you should also determine if your Oracle® Enterprise Session Border Controller is QoS enabled.

Remember that you will also use this realm in other configurations to accomplish the following:

- Set a signaling port or ports at which the Oracle® Enterprise Session Border Controller listens for signaling messages.
- Configure sessions agents to point to ingress and egress signaling devices located in this realm in order to apply constraint for admission control.
- Configure session agents for defining trusted sources for accepting signaling messages.

## Configure realm-config

To access the realm configuration parameters in the ACLI:

1. Access the **realm-config** configuration element.

```
ORACLE# configure terminal
ORACLE(configure)# media-manager
ORACLE(media-manager)# realm-config
ORACLE(realm-config)#
```

2. Press **Enter**.

The system prompt changes to let you know that you can begin configuring individual parameters. To view all realm configuration parameters, enter a ? at the system prompt.

## Identity and IP Address Prefix

The first parameters you configure for a realm are its name (a unique identifier) and an IP address prefix and subnet mask.

The IP address and subnet mask establish a set of matching criteria for the realm, and distinguishes between realms that you assign to the same network interface.

To configure a realm's identity and IP address prefix in the ACLI:

1. **identifier**—Enter the name of the realm. This parameter uniquely identifies the realm. You will use this parameter in other configurations when asked for a realm identifier value.
2. **addr-prefix**—Enter the IPv4 or IPv6 address and subnet mask combination to set the criteria the Oracle® Enterprise Session Border Controller uses to match packets sent or received on the network interface associated with this realm. This matching determines the realm, and subsequently what resources are used for that traffic. This setting determines whether the realm is an IPv4 or IPv6 realm.

This parameter must be entered in the correct format where the IPv4 or IPv6 address comes first and is separated by a slash (/) from the subnet mask value. For example, 172.16.0.0/24.

The default for this parameter is **0.0.0.0**. When you leave this parameter set to the default, all addresses match.

## Realm Interfaces

The realm points to one network interface on the Oracle® Enterprise Session Border Controller.

 **Note:**

Only one network-interface can be assigned to a single realm-config object, except for Local multi-homing SCTP deployments.

To assign interfaces to a realm:

- **network-interfaces**—Enter the physical and network interface(s) that you want this realm to reference. These are the network interfaces through which this realm can be reached by ingress traffic, and through which this traffic exits the system as egress traffic.

Enter the name and port in the correct format where the name of the interface comes first and is separated by a colon (:) from the port number. For example, f10:0.

The parameters you set for the network interfaces must be unique.

Enter multiple network interfaces for this list by typing an open parenthesis, entering each field value separated by a Space, typing a closed parenthesis, and then pressing Enter.

```
ORACLE(realm-config)# network-interfaces fe1:0
```

You must explicitly configure a realm's network interface as either IPv4 or IPv6 when the applicable interface is either dual-stack or IPv6. You do this by appending the realm's network-interface with a **.4** or a **.6**, as shown below.

```
ORACLE(realm-config)# network-interfaces fe1:0.6
```

For single-stack interface configurations that do not specify this format, the Oracle® Enterprise Session Border Controller assumes an IPv4 interface. Dual stack interface configurations fail if this IP version family suffix is not specified.

## Realm Service Profile

The parameters you configure to establish the realm service profile determine how bandwidth resources are used and how media is treated in relation to the realm. Bandwidth constraints set for realm service profiles support the Oracle® Enterprise Session Border Controller's admission control feature.

Peer-to-peer media between endpoints can be treated in one of three different ways:

- Media can be directed between sources and destinations within this realm on this specific Oracle® Enterprise Session Border Controller. Media travels through the Oracle® Enterprise Session Border Controller rather than straight between the endpoints.
- Media can be directed through the Oracle® Enterprise Session Border Controller between endpoints that are in different realms, but share the same subnet.
- For SIP only, media can be released between multiple Oracle® Enterprise Session Border Controllers.  
To enable SIP distributed media release, you must set the appropriate parameter in the realm configuration. You must also set the SIP options parameter to media-



release with the appropriate header name and header parameter information. This option defines how the Oracle® Enterprise Session Border Controller encodes IPv4 address and port information for media streams described by, for example, SDP.

To configure realm service profile:

1. **max-bandwidth**—Enter the total bandwidth budget in kilobits per second for all flows to/from the realm defined in this element. The default is **0** which allows for unlimited bandwidth. The valid range is:
  - Minimum—0
  - Maximum—4294967295
2. **mm-in-realm**—Enable this parameter to treat media within this realm on this Oracle® Enterprise Session Border Controller. The default is **disabled**. Valid values are:
  - enabled | disabled
3. **mm-in-network**—Enable this parameter to treat media within realms that have the same subnet mask on this Oracle® Enterprise Session Border Controller. The default is **enabled**. Valid values are:
  - enabled | disabled
4. **msm-release**—Enable or disable the inclusion of multi-system (multiple Oracle® Enterprise Session Border Controllers) media release information in the SIP signaling request sent into the realm identified by this realm-config element. If this field is set to enabled, another Oracle® Enterprise Session Border Controller is allowed to decode the encoded SIP signaling request message data sent from a SIP endpoint to another SIP endpoint in the same network to restore the original SDP and subsequently allow the media to flow directly between those two SIP endpoints in the same network serviced by multiple Oracle® Enterprise Session Border Controllers. If this field is disabled, the media and signaling will pass through both Oracle® Enterprise Session Border Controllers. Remember that for this feature to work, you must also set the options parameter in the SIP configuration accordingly. The default is **disabled**. Valid values are:
  - enabled | disabled

## QoS Measurement

This chapter provides detailed information about when to configure the **qos-enable** parameter. If you are not using QoS or a QoS-capable Oracle® Enterprise Session Border Controller, then you can leave this parameter set to disabled (default).

## QoS Marking

QoS marking allows you to apply a set of TOS/DiffServ mechanisms that enable you to provide better service for selected networks

You can configure a realm to perform realm-based packet marking by media type, either audio/voice or video.

The realm configuration references a set of media policies that you configure in the media policy configuration. Within these policies, you can establish TOS/DiffServ values that define an individual type (or class) of service, and then apply them on a per-realm basis. In the media profiles, you can also specify:

- One or more audio media types for SIP and/or H.323
- One or more video types for SIP and/or H.323
- Both audio and video media types for SIP and/or H.323  
To establish what media policies to use per realm in the ACLI:
- **media-policy**—Enter the name (unique identifier) of the media policy you want to apply in the realm. When the Oracle® Enterprise Session Border Controller first sets up a SIP or H.323 media session, it identifies the egress realm of each flow and then determines the media-policy element to apply to the flow. This parameter must correspond to a valid name entry in a media policy element. If you leave this parameter empty, then QoS marking for media will not be performed for this realm.

## Address Translation Profiles

If you are not using this feature, you can leave the **in-translationid** and **out-translationid** parameters blank.

## Interface and Realm Support of DNS Servers

You can configure DNS functionality on a per-network-interface, or per-realm basis. Configuring DNS servers for your realms means that you can have multiple DNS servers in connected networks. In addition, this allows you to specify which DNS server to use for a given realm because the DNS might actually be in a different realm with a different network interface.

This feature is available for SIP only.

To configure realm-specific DNS in the ACLI:

- **dns-realm**—Enter the name of the network interface that is configured for the DNS service you want to apply in this realm. If you do not configure this parameter, then the realm will use the DNS information configured in its associated network interface.

## DoS ACL Configuration

If you are not using this functionality, you can leave the parameters at their default values: **average-rate-limit**, **peak-rate-limit**, **maximum-burst-size**, **access-control-trust-level**, **invalid-signal-threshold**, and **maximum-signal-threshold**.

## Enabling RTP-RTCP UDP Checksum Generation

The Oracle® Enterprise Session Border Controller can generate a UDP checksum for RTP/ RTCP packets on a per-realm basis. This feature is useful in cases where devices performing network address translation (NAT) do not pass through packets with a zero checksum from the public Internet. These packets do not make it through the NAT, even if they have the correct to and from IP address and UDP port information. The Oracle® Enterprise Session Border Controller calculates a checksum for these packets and thereby enables them to traverse a NAT successfully.

If a checksum is already present when the traffic arrives at the hardware, the system simply relays it.

## Aggregate Session Constraints Per Realm

You can set session constraints for the Oracle® Enterprise Session Border Controller's global SIP configuration, specified session agents, and specified SIP interfaces. This forces users who have a large group of remote agents to create a large number of session agents and SIP interfaces.

With this feature implemented, however, you can group remote agents into one or more realms on which to apply session constraints.

To enable sessions constraints on a per realm basis:

- **constraint-name**—Enter the name of the constraint you want to use for this realm. You set up in the session-constraints configuration.

## Admission Control Configuration

You can set admission control based on bandwidth for each realm by setting the **max-bandwidth** parameter for the realm configuration. Details about admission control are covered in this guide's *Admission Control and QoS* chapter.

## Realms

Realm configuration is divided into the following functional areas, and the steps for configuring each are set out in this chapter: identity and IP address prefix, realm interfaces, realm service profiles, QoS measurement, QoS marking, address translation profiles, and DNS server configuration.

## Before You Configure

Before you configure realms, you want to establish the phy and network interfaces with which the realm will be associated.

- Configure a phy-interface to define the physical characteristics of the signaling line.
- Configure a network-interface to define the network in which this realm is participating and optionally to create VLANs.

If you wish to use QoS, you should also determine if your Oracle® Enterprise Session Border Controller is QoS enabled.

Remember that you will also use this realm in other configurations to accomplish the following:

- Set a signaling port or ports at which the Oracle® Enterprise Session Border Controller listens for signaling messages.
- Configure sessions agents to point to ingress and egress signaling devices located in this realm in order to apply constraint for admission control.
- Configure session agents for defining trusted sources for accepting signaling messages.

## Configure realm-config

To access the realm configuration parameters in the ACLI:

1. Access the **realm-config** configuration element.

```
ORACLE# configure terminal
ORACLE(configure)# media-manager
ORACLE(media-manager)# realm-config
ORACLE(realm-config)#
```

2. Press **Enter**.

The system prompt changes to let you know that you can begin configuring individual parameters. To view all realm configuration parameters, enter a **?** at the system prompt.

## Identity and IP Address Prefix

The first parameters you configure for a realm are its name (a unique identifier) and an IP address prefix and subnet mask.

The IP address and subnet mask establish a set of matching criteria for the realm, and distinguishes between realms that you assign to the same network interface.

To configure a realm's identity and IP address prefix in the ACLI:

1. **identifier**—Enter the name of the realm. This parameter uniquely identifies the realm. You will use this parameter in other configurations when asked for a realm identifier value.
2. **addr-prefix**—Enter the IPv4 or IPv6 address and subnet mask combination to set the criteria the Oracle® Enterprise Session Border Controller uses to match packets sent or received on the network interface associated with this realm. This matching determines the realm, and subsequently what resources are used for that traffic. This setting determines whether the realm is an IPv4 or IPv6 realm.

This parameter must be entered in the correct format where the IPv4 or IPv6 address comes first and is separated by a slash (/) from the subnet mask value. For example, 172.16.0.0/24.

The default for this parameter is **0.0.0.0**. When you leave this parameter set to the default, all addresses match.

## Realm Interfaces

The realm points to one network interface on the Oracle® Enterprise Session Border Controller.

### Note:

Only one network-interface can be assigned to a single realm-config object, except for Local multi-homing SCTP deployments.

To assign interfaces to a realm:

- **network-interfaces**—Enter the physical and network interface(s) that you want this realm to reference. These are the network interfaces through which this realm can be reached by ingress traffic, and through which this traffic exits the system as egress traffic.

Enter the name and port in the correct format where the name of the interface comes first and is separated by a colon (:) from the port number. For example, f10:0.

The parameters you set for the network interfaces must be unique.

Enter multiple network interfaces for this list by typing an open parenthesis, entering each field value separated by a Space, typing a closed parenthesis, and then pressing Enter.

```
ORACLE(realm-config)# network-interfaces fe1:0
```

You must explicitly configure a realm's network interface as either IPv4 or IPv6 when the applicable interface is either dual-stack or IPv6. You do this by appending the realm's network-interface with a **.4** or a **.6**, as shown below.

```
ORACLE(realm-config)# network-interfaces fe1:0.6
```

For single-stack interface configurations that do not specify this format, the Oracle® Enterprise Session Border Controller assumes an IPv4 interface. Dual stack interface configurations fail if this IP version family suffix is not specified.

## Realm Service Profile

The parameters you configure to establish the realm service profile determine how bandwidth resources are used and how media is treated in relation to the realm. Bandwidth constraints set for realm service profiles support the Oracle® Enterprise Session Border Controller's admission control feature.

Peer-to-peer media between endpoints can be treated in one of three different ways:

- Media can be directed between sources and destinations within this realm on this specific Oracle® Enterprise Session Border Controller. Media travels through the Oracle® Enterprise Session Border Controller rather than straight between the endpoints.
- Media can be directed through the Oracle® Enterprise Session Border Controller between endpoints that are in different realms, but share the same subnet.
- For SIP only, media can be released between multiple Oracle® Enterprise Session Border Controllers.

To enable SIP distributed media release, you must set the appropriate parameter in the realm configuration. You must also set the SIP options parameter to media-release with the appropriate header name and header parameter information. This option defines how the Oracle® Enterprise Session Border Controller encodes IPv4 address and port information for media streams described by, for example, SDP.

To configure realm service profile:

1. **max-bandwidth**—Enter the total bandwidth budget in kilobits per second for all flows to/from the realm defined in this element. The default is **0** which allows for unlimited bandwidth. The valid range is:
  - Minimum—0
  - Maximum—4294967295
2. **mm-in-realm**—Enable this parameter to treat media within this realm on this Oracle® Enterprise Session Border Controller. The default is **disabled**. Valid values are:
  - enabled | disabled
3. **mm-in-network**—Enable this parameter to treat media within realms that have the same subnet mask on this Oracle® Enterprise Session Border Controller. The default is **enabled**. Valid values are:
  - enabled | disabled
4. **msm-release**—Enable or disable the inclusion of multi-system (multiple Oracle® Enterprise Session Border Controllers) media release information in the SIP signaling request sent into the realm identified by this realm-config element. If this field is set to enabled, another Oracle® Enterprise Session Border Controller is allowed to decode the encoded SIP signaling request message data sent from a SIP endpoint to another SIP endpoint in the same network to restore the original SDP and subsequently allow the media to flow directly between those two SIP endpoints in the same network serviced by multiple Oracle® Enterprise Session Border Controllers. If this field is disabled, the media and signaling will pass through both Oracle® Enterprise Session Border Controllers. Remember that for this feature to work, you must also set the options parameter in the SIP configuration accordingly. The default is **disabled**. Valid values are:
  - enabled | disabled

## QoS Measurement

This chapter provides detailed information about when to configure the **qos-enable** parameter. If you are not using QoS or a QoS-capable Oracle® Enterprise Session Border Controller, then you can leave this parameter set to disabled (default).

## QoS Marking

QoS marking allows you to apply a set of TOS/DiffServ mechanisms that enable you to provide better service for selected networks

You can configure a realm to perform realm-based packet marking by media type, either audio/voice or video.

The realm configuration references a set of media policies that you configure in the media policy configuration. Within these policies, you can establish TOS/DiffServ values that define an individual type (or class) of service, and then apply them on a per-realm basis. In the media profiles, you can also specify:

- One or more audio media types for SIP and/or H.323
- One or more video types for SIP and/or H.323
- Both audio and video media types for SIP and/or H.323  
To establish what media policies to use per realm in the ACLI:

- **media-policy**—Enter the name (unique identifier) of the media policy you want to apply in the realm. When the Oracle® Enterprise Session Border Controller first sets up a SIP or H.323 media session, it identifies the egress realm of each flow and then determines the media-policy element to apply to the flow. This parameter must correspond to a valid name entry in a media policy element. If you leave this parameter empty, then QoS marking for media will not be performed for this realm.

## Address Translation Profiles

If you are not using this feature, you can leave the **in-translationid** and **out-translationid** parameters blank.

## Interface and Realm Support of DNS Servers

You can configure DNS functionality on a per-network-interface, or per-realm basis. Configuring DNS servers for your realms means that you can have multiple DNS servers in connected networks. In addition, this allows you to specify which DNS server to use for a given realm because the DNS might actually be in a different realm with a different network interface.

This feature is available for SIP only.

To configure realm-specific DNS in the ACLI:

- **dns-realm**—Enter the name of the network interface that is configured for the DNS service you want to apply in this realm. If you do not configure this parameter, then the realm will use the DNS information configured in its associated network interface.

## DoS ACL Configuration

If you are not using this functionality, you can leave the parameters at their default values: **average-rate-limit**, **peak-rate-limit**, **maximum-burst-size**, **access-control-trust-level**, **invalid-signal-threshold**, and **maximum-signal-threshold**.

## Enabling RTP-RTCP UDP Checksum Generation

The Oracle® Enterprise Session Border Controller can generate a UDP checksum for RTP/ RTCP packets on a per-realm basis. This feature is useful in cases where devices performing network address translation (NAT) do not pass through packets with a zero checksum from the public Internet. These packets do not make it through the NAT, even if they have the correct to and from IP address and UDP port information. The Oracle® Enterprise Session Border Controller calculates a checksum for these packets and thereby enables them to traverse a NAT successfully.

If a checksum is already present when the traffic arrives at the hardware, the system simply relays it.

## Aggregate Session Constraints Per Realm

You can set session constraints for the Oracle® Enterprise Session Border Controller's global SIP configuration, specified session agents, and specified SIP interfaces. This forces users who have a large group of remote agents to create a large number of session agents and SIP interfaces.

With this feature implemented, however, you can group remote agents into one or more realms on which to apply session constraints.

To enable sessions constraints on a per realm basis:

- **constraint-name**—Enter the name of the constraint you want to use for this realm. You set up in the session-constraints configuration.

## Admission Control Configuration

You can set admission control based on bandwidth for each realm by setting the **max-bandwidth** parameter for the realm configuration. Details about admission control are covered in this guide's *Admission Control and QoS* chapter.

## Nested Realms

Nested Realms is a Oracle® Enterprise Session Border Controller feature that supports hierarchical realm groups. One or more realms may be nested within higher order realms. Realms and sub-realms may be created for media and bandwidth management purposes. This feature supports:

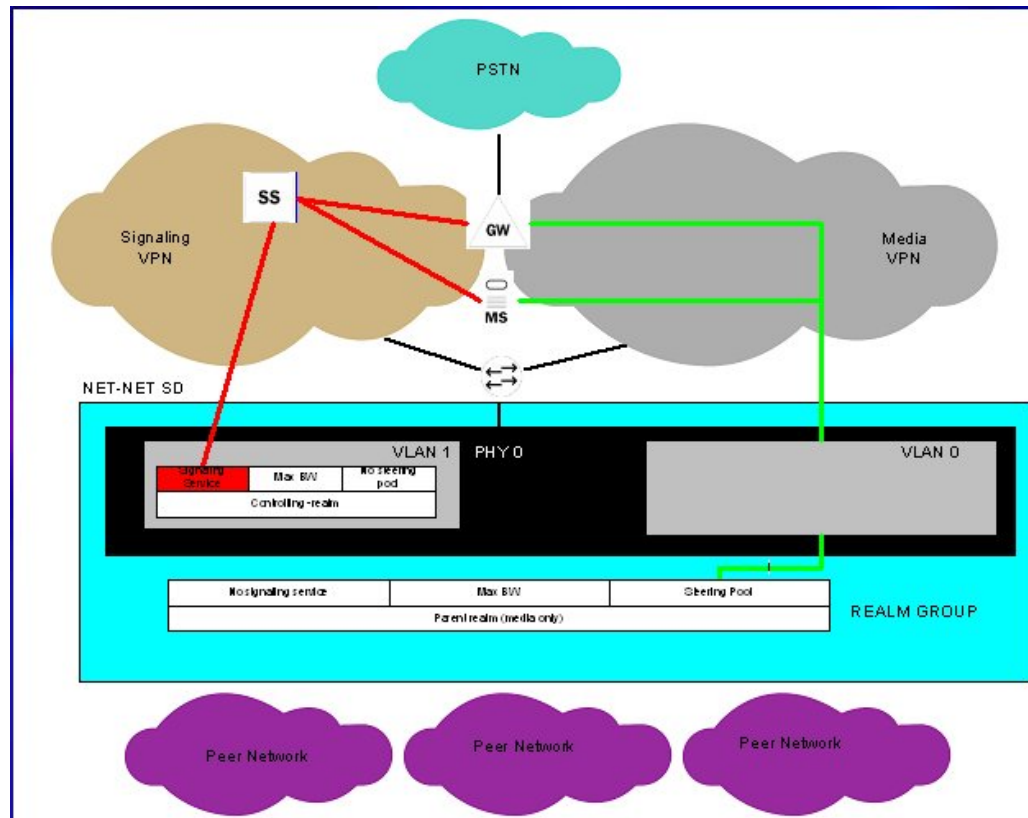
- Separation of signaling & media on unique network interfaces
- Signaling channel aggregation for Hosted IP Services applications
- Configuration scalability
- Per-realm media scalability beyond single **phy-interface** capacity
- Nested bandwidth admission control policies

## Nested Realms

Configuring nested realms allows you to create backbone VPN separation for signaling and media. This means that you can put signaling and media on separate network interfaces, that the signaling and media VPN can have different address spaces, and that the parent realm has one media-only sub-realm.

The following figure shows the network architecture.





In addition, you can achieve enhanced scalability by using a shared service interface. A single service address is shared across many customers/peers, customer specific policies for bandwidth use and access control are preserved, and you can achieve fine-grained policy control.

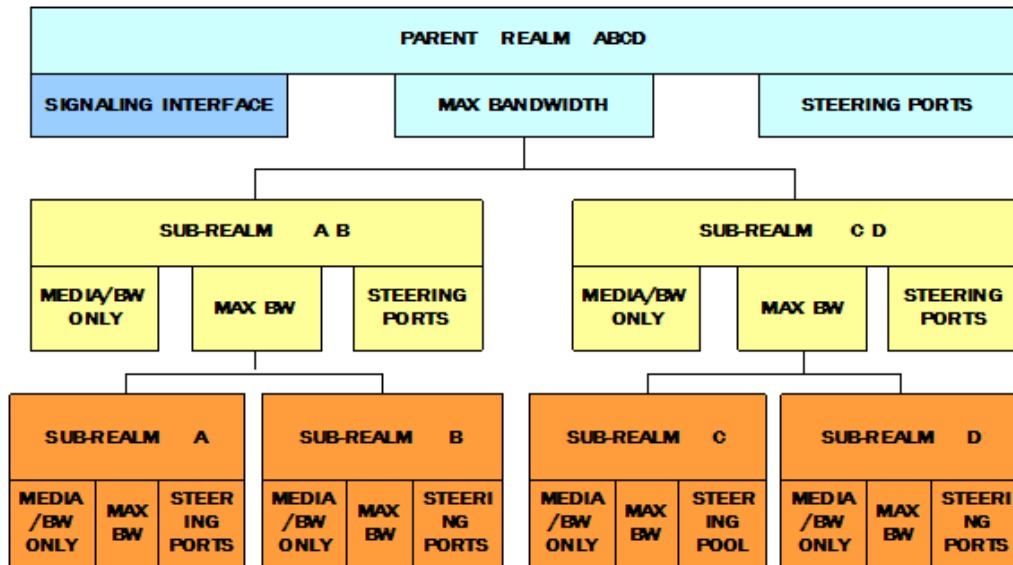
These benefits are achieved when you configure these types of realms:

- **Realm group**—A hierarchical nesting of realms identified by the name of the highest order realm.
- **Controlling realm**—A realms for which a signaling interface is configured. For example, you might configure these signaling interfaces in the following configurations: SIP-NAT, SIP port or H.323 stack. Typically, this is the highest order realm for the parent realm in a realm group.
- **Parent realm**—A realm that has one or more child realms. A parent realm might also be the child realm of another realm group.
- **Child realm**—A realm that is associated with a single higher order parent realm. A child might also be the parent realm of another realm group. Child realms inherit all signaling and steering ports from higher order realms.
- **Media-only realm**—A realm for which there is no configured signaling interface directly associated. Media-only realms are nested within higher order realms.

As these definitions suggest, parent and child realms can be constructed so that there are multiple nesting levels. Lower order realms inherit the traits of the realms above them, including: signaling service interfaces, session translation tables, and steering pools.

Since realms inherit the traits of the realms above them in the hierarchy, you will probably want to map what realms should be parents and children before you start configuring them. These relationships are constructed through one parameter in the

realm configuration that identifies the parent realm for the configuration. If you specify a parent realm, then the realm you are configuring becomes a child realm subject to the configured parameters you have established for that parent. And since parent realms can themselves be children of other realm, it is important that you construct these relationships with care.



## Configuring Nested Realms

When you are configuring nested realms, you can separate signaling and media by setting realm parameters in the SIP interface configuration, the H.323 stack configuration, and the steering ports configuration.

- The realm identifier you set in the SIP interface configuration labels the associated realm for signaling.
- The realm identifier you set in the H.323 stack configuration labels the associated realm for signaling.
- The realm identifier you set in the steering ports configuration labels the associated realm for media.

Constructing a hierarchy of nested realms requires that you note which realms you want to handle signaling, and which you want to handle media.

In the SIP port configuration for the SIP interface and in the H.323 stack configuration, you will find an `allow anonymous` parameter that allows you to set certain access control measures. The table below outlines what each parameter means.

Allow Anonymous Parameter	Description
<code>all</code>	All anonymous connections allowed.
<code>agents-only</code>	Connections only allowed from configured session agents.
<code>realm-prefix</code>	Connections only allowed from addresses with the realm's address prefix and configured session agents.

Allow Anonymous Parameter	Description
registered	Connections allowed only from session agents and registered endpoints. (For SIP only, a REGISTER is allowed for any endpoint.)
register-prefix	Connections allowed only from session agent and registered endpoints. (For SIP only, a REGISTER is allowed for session agents and a matching realm prefix.)

## Parent and Child Realm Configuration

To configure nested realms, you need to set parameters in the realm configuration.

To configure parent and child realms:

1. In Superuser mode, type **configure terminal** and press Enter.

```
ORACLE# configure terminal
```

2. Type **media-manager** and press Enter to access the system-level configuration elements.

```
ORACLE(configure)# media-manager
```

3. Type **realm** and press Enter. The system prompt changes to let you know that you can begin configuring individual parameters.

```
ORACLE(media-manager)# realm-config
ORACLE(realm-config)#
```

4. **parent-realm**—Enter the identifier of the realm you want to name as the parent. Configuring this parameter makes the realm you are currently configuring as the child of the parent you name. As such, the child realm is subject to the configured parameters for the parent.

## Required Signaling Service Parameters

To configure nested realms, you need to set parameters in the realm configuration and in the configurations for the signaling protocols you want to use.

To configure H.323 stack parameters for nested realms:

1. In Superuser mode, type **configure terminal** and press Enter.

```
ORACLE# configure terminal
```

2. Type **session-router** and press Enter to access the system-level configuration elements.

```
ORACLE(configure)# session-router
```

3. Type **h323** and press Enter. The system prompt changes to let you know that you can begin configuring individual parameters.

```
ORACLE(session-router)# h323
ORACLE(h323)#
```

4. Type **h323-stacks** and press Enter. The system prompt changes to let you know that you can begin configuring individual parameters.

From this point, you can configure H.323 stack parameters. To view all h323-stack configuration parameters, enter a **?** at the system prompt.

5. **allow-anonymous**—Enter the admission control of anonymous connections accepted and processed by this H.323 stack. The default is **all**. The valid values are:
  - **all**—Allow all anonymous connections
  - **agents-only**—Only requests from session agents allowed
  - **realm-prefix**—Session agents and address matching realm prefix

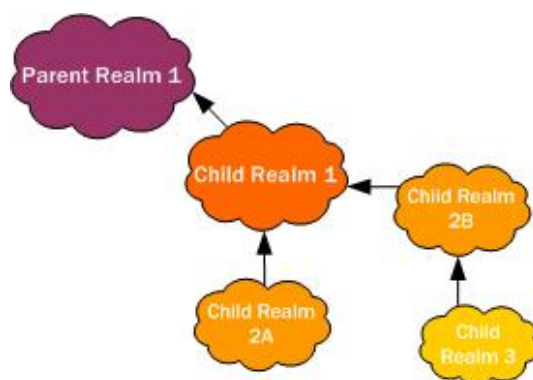
## Aggregate Session Constraints Nested Realms

In addition to setting session constraints per realm for SIP and H.323 sessions, you can also enable the Oracle® Enterprise Session Border Controller to apply session constraints across nested realms. When you set up session constraints for a realm, those constraints apply only to the realm for which they are configured without consideration for its relationship either as parent or child to any other realms.

You can also, however, enable the Oracle® Enterprise Session Border Controller to take nested realms into consideration when applying constraints. For example, if a call enters on a realm that has no constraints but its parent does, then the constraints for the parent are applied. This parameter is global and so applies to all realms on the system. For the specific realm the call uses and for all of its parents, the Oracle® Enterprise Session Border Controller increments the counters upon successful completion of an inbound or outbound call.

In the following example, you can see one parent realm and its multiple nested, child realms. Now consider applying these realm constraints:

- Parent Realm 1—55 active sessions
- Child Realm 1—45 active sessions
- Child Realm 2A—30 active sessions
- Child Realm 2B—90 active sessions
- Child Realm 3—20 active sessions



Given the realm constraints outlined above, consider these examples of how global session constraints for realms. For example, a call enters the Oracle® Enterprise Session Border Controller on Child Realm 2B, which has an unmet 90-session constraint set. Therefore, the Oracle® Enterprise Session Border Controller allows the call based on Child Realm 2B. But the call also has to be within the constraints set for Child Realm 1 and Parent Realm 1. If the call fails to fall within the constraints for either of these two realms, then the Oracle® Enterprise Session Border Controller rejects the call.

## Impact to Other Session Constraints and Emergency Calls

You can set up session constraints in different places in your Oracle® Enterprise Session Border Controller configuration. Since session agents and SIP interfaces also take session constraints, it is important to remember the order in which the Oracle® Enterprise Session Border Controller applies them:

1. Session agent session constraints
2. Realm session constraints (including parent realms)
3. SIP interface session constraints

Emergency and priority calls for each of these is exempt from session constraints. That is, any call coming into the Oracle® Enterprise Session Border Controller marked priority is processed.

## Session Constraints Configuration

You enabled use of session constraints for nested realms across the entire system by setting the **nested-realms-stats** parameter in the session router configuration to **enabled**.

1. In Superuser mode, type **configure terminal** and press Enter.

```
ORACLE# configure terminal
ORACLE(configure)#
```

2. Type **session-router** and press Enter.

```
ORACLE(configure)# session-router
ORACLE(session-router)#
```

3. Type **session-router** and press Enter.

```
ORACLE(session-router)# session-router
ORACLE(session-router-config)#
```

4. **nested-realms-stats**—Change this parameter from **disabled** (default) to **enabled** if you want the Oracle® Enterprise Session Border Controller to apply session constraints across all nested realms (realms that are children to other realms)
5. Save and activate your configuration.

## Realm-Based Packet Marking

The Oracle® Enterprise Session Border Controller supports TOS/DiffServ functions that allow you to

- Set up realm-based packet marking by media type, either audio-voice or video
- Set up realm-based packet marking for signaling, either SIP or H.323

Upstream devices use these markings to classify traffic in order to determine the priority level of treatment it will receive.

## About TOS DiffServ

TOS and DiffServ are two different mechanisms used to achieve QoS in enterprise and service provider networks; they are two different ways of marking traffic to indicate its priority to upstream devices in the network.

For more information about TOS (packet) marking, refer to:

- IETF RFC 1349 (<http://www.ietf.org/rfc/rfc1349.txt>)

For more information about DiffServ, refer to:

- IETF RFC 2474 (<http://www.ietf.org/rfc/rfc2474.txt>)
- IETF RFC 2475 (<http://www.ietf.org/rfc/rfc2475.txt>).

## ToS Byte

The TOS byte format is as follows:



The TOS byte is broken down into three components:

- **Precedence**—The most used component of the TOS byte, the precedence component is defined by three bits. There are eight possible precedence values ranging from 000 (decimal 0) through 111 (decimal 7). Generally, a precedence value of 000 refers to the lowest priority traffic, and a precedence value of 111 refers to the highest priority traffic.
- **TOS**—The TOS component is defined by four bits, although these bits are rarely used.

- **MBZ**—The must be zero (MBZ) component of the TOS byte is never used.

## DiffServ Byte

Given that the TOS byte was rarely used, the IETF redefined it and in doing so created the DiffServ byte.

The DiffServ byte format is as follows:



The DiffServ codepoint value is six bits long, compared to the three-bit-long TOS byte's precedence component. Given the increased bit length, DiffServ codepoints can range from 000000 (decimal 0) to 111111 (decimal 63).

### Note:

By default, DiffServ codepoint mappings map exactly to the precedence component priorities of the original TOS byte specification.

## Packet Marking for Media

You can set the TOS/DiffServ values that define an individual type or class of service for a given realm. In addition, you can specify:

- One or more audio media types for SIP and/or H.323
- One or more video media types for SIP and/or H.323
- Both audio and video media types for SIP and/or H.323

For all incoming SIP and H.23 requests, the media type is determined by negotiation or by preferred codec. SIP media types are determined by the SDP, and H.323 media types are determined by the media specification transmitted during call setup.

## Configuring Packet Marking by Media Type

This section describes how to set up the media policy configuration that you need for this feature, and then how to apply it to a realm.

These are the ACLI parameters that you set for the media policy:

```
name          media_policy name
tos-settings  list of TOS settings
```

### Note:

The **media-policy**, **tos-settings** parameter is not RTC supported and a reboot is required for these updates to take affect.

This is the ACLI parameter that you set for the realm:

```
media-policy default media policy name
```

## Packet Marking Configuration

To set up a media policy configuration to mark audio-voice or video packets:

1. In Superuser mode, type **configure terminal** and press Enter.

```
ORACLE# configure terminal
```

2. Type **media-manager** and press Enter to access the system-level configuration elements.

```
ORACLE(configure)# media-manager
```

3. Type **media-policy** and press Enter. The system prompt changes to let you know that you can begin configuring individual parameters.

```
ORACLE(media-manager)# media-policy  
ORACLE(media-policy)#
```

From this point, you can configure media policy parameters. To view all configuration parameters for media profiles, enter a **?** at the system prompt.

4. Type **media-policy** and press Enter.

```
ORACLE(media-manager)# media-policy
```

If you are adding support for this feature to a pre-existing configuration, then you must select (using the ACLI **select** command) the configuration you want to edit.

5. **name**—Create a reference name for this policy and press Enter.
6. Type **tos-settings** and press Enter.

```
ORACLE(media-policy)# tos-settings
```

7. **media-type**—Enter the media type that you want to use for this group of TOS settings. You can enter any of the IANA-defined media types for this value: audio, example, image, message, model, multipart, text, and video. This value is not case-sensitive and can be up to 255 characters in length; it has no default.

```
ORACLE(tos-settings)# media-type message
```

8. **media-sub-type**—Enter the media sub-type you want to use for the media type. This value can be any of the sub-types that IANA defines for a specific media type. This value is not case-sensitive and can be up to 255 characters in length; it has no default.

```
ORACLE(tos-settings)# media-sub-type sip
```



9. **media-attributes**—Enter the media attribute that will match in the SDP. This parameter is a list, so you can enter more than one value. The values are case-sensitive and can be up to 255 characters in length. This parameter has no default.

If you enter more than one media attribute value in the list, then you must enclose your entry in quotation marks ().

```
ORACLE(tos-settings)# media-attributes sendonly sendrecv
```

10. **tos-value**—Enter the TOS value you want applied for matching traffic. This value is a decimal or hexadecimal value. The valid range is:
  - 0x00 to 0xFF.

```
ORACLE(tos-settings)# tos-value 0xF0
```

11. Save and activate your configuration.

## Applying a Media Policy to a Realm

To apply a media policy to a realm:

1. In Superuser mode, type **configure terminal** and press Enter.

```
ORACLE# configure terminal
```

2. Type **media-manager** and press Enter to access the system-level configuration elements.

```
ORACLE(configure)# media-manager
```

3. Type **realm** and press Enter. The system prompt changes to let you know that you can begin configuring individual parameters.

```
ORACLE(media-manager)# realm  
ORACLE(realm)#
```

4. **media-policy**—Enter the unique name of the media policy you want to apply to this realm.

## Signaling Packet Marking Configuration

ToS marking for signaling requires you to configure a media policy and set the name of the media policy in the appropriate realm configuration.

This section shows you how to configure packet marking for signaling.

### Configuring a Media Policy for Signaling Packet Marking

To set up a media policy configuration to mark signaling packets:

1. In Superuser mode, type **configure terminal** and press Enter.

```
ORACLE# configure terminal
```

2. Type **media-manager** and press Enter to access the system-level configuration elements.

```
ORACLE(configure)# media-manager
```

3. Type **media-policy** and press Enter. The system prompt changes to let you know that you can begin configuring individual parameters.

```
ORACLE(media-manager)# media-policy  
ORACLE(media-policy)#
```

From this point, you can configure media policy parameters. To view all media policy configuration parameters, enter a ? at the system prompt.

4. Type **media-policy** and press Enter.

```
ORACLE(media-manager)# media-policy
```

If you are adding support for this feature to a pre-existing configuration, then you must select (using the ACLI **select** command) the configuration you want to edit.

5. **name**—Create a reference name for this policy and press Enter.
6. Type **tos-settings** and press Enter.

```
ORACLE(media-policy)# tos-settings
```

 **Note:**

The **media-policy, tos-settings** parameter is not RTC supported and a reboot is required for these updates to take affect.

7. **media-type**—Enter the media type that you want to use for this group of TOS settings. You can enter any of the IANA-defined media types for this value: audio, example, image, message, model, multipart, text, and video. This value is not case-sensitive and can be up to 255 characters in length; it has no default.

```
ORACLE(tos-settings)# media-type message
```

8. **media-sub-type**—Enter the media sub-type you want to use for the media type. This value can be any of the sub-types that IANA defines for a specific media type. This value is not case-sensitive and can be up to 255 characters in length; it has no default.

```
ORACLE(tos-settings)# media-sub-type sip
```

9. **media-attributes**—Enter the media attribute that will match in the SDP. This parameter is a list, so you can enter more than one value. The values are case-sensitive and can be up to 255 characters in length. This parameter has no default.

If you enter more than one media attribute value in the list, then you must enclose your entry in quotation marks ().

```
ORACLE(tos-settings)# media-attributes sendonly sendrecv
```

10. **tos-value**—Enter the TOS value you want applied for matching traffic. This value is a decimal or hexadecimal value. The valid range is:

- 0x00 to 0xFF.

```
ORACLE(tos-settings)# tos-value 0xF0
```

11. Save and activate your configuration.

## Applying a Media Policy to a Realm

To apply a media policy to a realm:

1. In Superuser mode, type **configure terminal** and press Enter.

```
ORACLE# configure terminal
```

2. Type **media-manager** and press Enter to access the system-level configuration elements.

```
ORACLE(configure)# media-manager
```

3. Type **realm** and press Enter. The system prompt changes to let you know that you can begin configuring individual parameters.

```
ORACLE(media-manager)# realm  
ORACLE(realm)#
```

4. **media-policy**—Enter the unique name of the media policy you want to apply to this realm.

## Using Class Profile for Packet Marking

Class profile provides an additional means of ToS marking, but only for limited circumstances. Use class-profile only if you are marking ToS on traffic destined for a specific To address, and when media-policy is not used on the same realm. Using media-policy for ToS marking is, by far, more common.

To configure a class profile, you prepare your desired media policy, create the class profile referencing the media policy and the To address, and set the name of the class profile in the appropriate realm configuration.

## Class Profile and Class Policy Configuration

This section shows you how to configure packet marking using a class profile.

To configure the class profile and class policy:

1. In Superuser mode, type **configure terminal** and press Enter.

```
ORACLE# configure terminal
```

2. Type **session-router** and press Enter to access the system-level configuration elements.

```
ORACLE(configure)# session-router
```

3. Type **class-profile** and press Enter. The system prompt changes to let you know that you can begin configuring individual parameters.

```
ORACLE(session-router)# class-profile  
ORACLE(class-profile)#
```

4. Type **policy** and press Enter to begin configuring the class policy.

```
ORACLE(class-profile)# policy
```

From this point, you can configure class policy parameters. To view all class policy configuration parameters, enter a **?** at the system prompt.

5. **profile-name**—Enter the unique name of the class policy. When you apply a class profile to a realm configuration, you use this value.
6. **to-address**—Enter a list of addresses to match to incoming traffic for marking. You can use E.164 addresses, a host domain address, or use an asterisk (\*) to set all host domain addresses.
7. **media-policy**—Enter the name of the media policy you want to apply to this class policy.

## Applying a Class Policy to a Realm

To apply a class policy to a realm:

1. In Superuser mode, type **configure terminal** and press Enter.

```
ORACLE# configure terminal
```

2. Type **media-manager** and press Enter to access the system-level configuration elements.

```
ORACLE(configure)# media-manager
```

3. Type **media-policy** and press Enter. The system prompt changes to let you know that you can begin configuring individual parameters.

```
ORACLE(media-manager)# realm  
ORACLE(realm)#
```

4. **class-profile**—Enter the name of the class profile to apply to this realm. This is the name you set in the **profile-name** parameter of the class-policy configuration.

## SIP-SDP DCSP Marking ToS Bit Manipulation

Used to indicate priority and type of requested service to devices in the network, type of service (TOS) information is included as a set of four-bit flags in the IP header. Each bit has a different purpose, and only one bit at a time can be set: There can be no combinations. Available network services are:

- Minimum delay—Used when latency is most important
- Maximum throughput—Used when the volume of transmitted data in any period of time is important
- Maximum reliability—Used when it is important to assure that data arrives at its destination without requiring retransmission
- Minimum cost—Used when it is most important to minimize data transmission costs

The Oracle® Enterprise Session Border Controller's support for type of service (TOS) allows you to base classification on the media type as well as the media subtype. In prior releases, you can configure the Oracle® Enterprise Session Border Controller to mark TOS bits on outgoing packets using a media policy. Supported media types include audio, video, application, data, image, text, and message; supported protocol types are H.225, H.245, and SIP. Note that, although H.225 and H.245 are not part of any IANA types, they are special cases (special subtypes) of message for the Oracle® Enterprise Session Border Controller. When these criteria are met for an outgoing packet, the Oracle® Enterprise Session Border Controller applies the TOS settings to the IP header. The augmented application of TOS takes matching on media type or protocol and expands it to match on media type, media-sub-type, and media attributes.

The new flexibility of this feature resolves issues when, for example, a customer needs to differentiate between TV-phone and video streaming. While both TV-phone and video streaming have the attribute "media=video," TV-phone streaming has "direction=sendrcv" prioritized at a high level and video has direction=sendonly or recvonly with middle level priority. The Oracle® Enterprise Session Border Controller can provide the appropriate marking required to differentiate the types of traffic.

In the media policy, the **tos-values** parameter accepts values that allow you to create any media type combination allowed by IANA standards. This is a dynamic process because the Oracle® Enterprise Session Border Controller generates matching criteria directly from messages.

The new configuration takes a media type value of any of these: audio, example, image, message, model, multipart, text, and video. It also takes a media sub-type of any value specified for the media type by IANA; however, support for T.38 must be entered exactly as **t.38** (rather than t38). Using these values, the Oracle® Enterprise Session Border Controller creates a value Based on a combination of these values, the Oracle® Enterprise Session Border Controller applies TOS settings.

You also configure the TOS value to be applied, and the media attributes you want to match.

You can have multiple groups of TOS settings for a media policy.

## ToS Bit Manipulation Configuration

This section provides instructions for how to configure TOS bit manipulation on your Oracle® Enterprise Session Border Controller.

To configure TOS bit manipulation:

1. In Superuser mode, type **configure terminal** and press Enter.

```
ORACLE# configure terminal
```

2. Type **media-manager** and press Enter.

```
ORACLE(configure)# media-manager  
ORACLE(media-manager)#
```

3. Type **media-policy** and press Enter.

```
ORACLE(media-manager)# media-policy
```

If you are adding support for this feature to a pre-existing configuration, then you must select (using the ACLI **select** command) the configuration you want to edit.

4. **name**—Create a reference name for this policy and press Enter.
5. Type **tos-settings** and press Enter.

```
ORACLE(media-policy)# tos-settings
```

 **Note:**

The **media-policy**, **tos-settings** parameter is not RTC supported and a reboot is required for these updates to take affect.

6. **media-type**—Enter the media type that you want to use for this group of TOS settings. You can enter any of the IANA-defined media types for this value: audio, example, image, message, model, multipart, text, and video. This value is not case-sensitive and can be up to 255 characters in length; it has no default.

```
ORACLE(tos-settings)# media-type message
```

7. **media-sub-type**—Enter the media sub-type you want to use for the media type. This value can be any of the sub-types that IANA defines for a specific media type. This value is not case-sensitive and can be up to 255 characters in length; it has no default.

```
ORACLE(tos-settings)# media-sub-type sip
```

8. **media-attributes**—Enter the media attribute that will match in the SDP. This parameter is a list, so you can enter more than one value. The values are case-sensitive and can be up to 255 characters in length. This parameter has no default.

If you enter more than one media attribute value in the list, then you must enclose your entry in quotation marks ().

```
ORACLE(tos-settings)# media-attributes sendonly sendrecv
```

9. **tos-value**—Enter the TOS value you want applied for matching traffic. This value is a decimal or hexadecimal value. The valid range is:

- 0x00 to 0xFF.

```
ORACLE(tos-settings)# tos-value 0xF0
```

10. Save and activate your configuration.

## Steering Pools

Steering pools define sets of ports that are used for steering media flows through the Oracle® Enterprise Session Border Controller. These selected ports are used to modify the SDP to cause receiving session agents to direct their media toward this system. Media can be sent along the best quality path using these addresses and ports instead of traversing the shortest path or the BGP-4 path.

For example, when the Oracle® Enterprise Session Border Controller is communicating with a SIP device in a specific realm defined by a steering pool, it uses the IP address and port number from the steering pool's range of ports to direct the media. The port the Oracle® Enterprise Session Border Controller chooses to use is identified in the SDP part of the message.

### Note:

The values entered in the steering pool are used when the system provides NAT, PAT, and VLAN translation.

## Configuration Overview

To plan steering pool ranges, take into account the total sessions available on the box, determine how many ports these sessions will use per media stream, and assign that number of ports to all of the steering pools on your Oracle® Enterprise Session Border Controller. For example, if your Oracle® Enterprise Session Border Controller can accommodate 500 sessions and each session typically uses 2 ports, you would assign 1000 ports to each steering pool. This strategy provides for a maximum number of ports for potential use, without using extra resources on ports your Oracle® Enterprise Session Border Controller will never use.

The following lists the steering pool parameters you must configure:

- IP address—IP address of the steering pool.
- start port—Port number that begins the range of ports available to the steering pool. You must define this port to enable the system to perform media steering and NAT operations.

- end port—Port number that ends the range of ports available to the steering pool. You must define this port to enable the system to perform media steering and NAT operations.
- realm id—Identifies the steering pool's realm. The steering pool is restricted to only the flows that originate from this realm.

**Note:**

The combination of entries for IP address, start port, and realm ID must be unique in each steering pool. You cannot use the same values for multiple steering pools.

Each bidirectional media stream in a session uses two steering ports, one in each realm (with the exception of audio/video calls that consume four ports). You can configure the start and end port values to provide admission control. If all of the ports in all of the steering pools defined for a given realm are in use, no additional flows/sessions can be established to/from the realm of the steering pool.

## Steering Pool Configuration

To configure a steering pool:

1. In Superuser mode, type **configure terminal** and press Enter.

```
ORACLE# configure terminal
```

2. Type **media-manager** and press Enter to access the system-level configuration elements.

```
ORACLE(configure)# media-manager
```

3. Type **steering-pool** and press Enter. The system prompt changes to let you know that you can begin configuring individual parameters.

```
ORACLE(media-manager)# steering-pool  
ORACLE(steering-pool)#
```

4. **ip-address**—Enter the target IP address of the steering pool in IP address format. For example:

```
192.168.0.11
```

5. **start-port**—Enter the start port value that begins the range of ports available to this steering pool. The default is **0**. The valid range is:

- Minimum—0
- Maximum—65535

You must enter a valid port number or the steering pool will not function properly.

6. **end-port**—Enter the end port value that ends the range of ports available to this steering pool. The default is **0**. The valid range is:



- Minimum—0
- Maximum—65535

You must enter a valid port number or the steering pool will not function properly.

7. **realm-id**—Enter the realm ID to identify the steering pool's realm, following the name format. The value you enter here must correspond to the value you entered as the identifier (name of the realm) when you configured the realm. For example:

```
peer-1
```

This steering pool is restricted to flows that originate from this realm.

The following example shows the configuration of a steering pool.

```
steering-pool
  ip-address          192.168.0.11
  start-port         20000
  end-port           21000
  realm-id           peer-1
  last-modified-date 2005-03-04 00:35:22
```

## SDP Alternate Connectivity

The Oracle® Enterprise Session Border Controller can create an egress-side SDP offer containing both IPv4 and IPv6 media addresses via a mechanism which allows multiple IP addresses, of different address families (i.e., IPv4 & IPv6) in the same SDP offer. Our implementation is based on the RFC draft "draft-boucadair-mmusic-altc-09".

Each realm on the Oracle® Enterprise Session Border Controller can be configured with an alternate family realm on which to receive media in the alt family realm parameter in the realm config. As deployed, one realm will be IPv4, and the alternate will be IPv6. The Oracle® Enterprise Session Border Controller creates the outbound INVITE with IPv4 and IPv6 addresses to accept the media, each in an a=altc: line and each in its own realm. The IP addresses inserted into the a=altc: line are from the egress realm's and alt-realm-family realm's steering pools. Observe in the image how the red lines indicate the complementary, alternate realms.

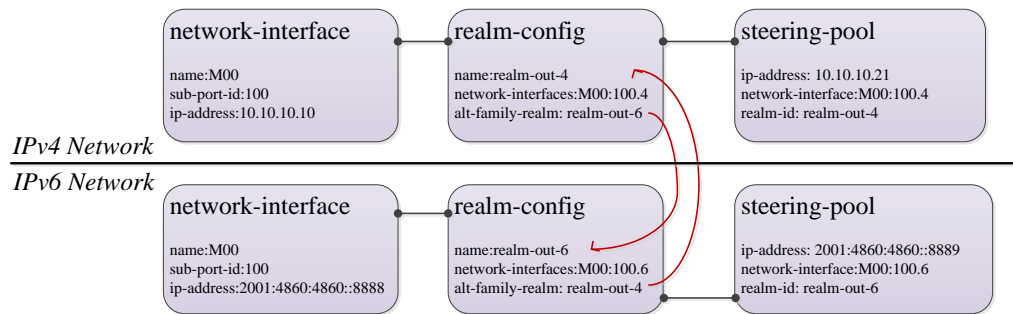
You can configure the order in which the a=altc: lines appear in the SDP in the pref-address-type parameter in the realm-config. This parameter can be set to

- IPv4 - SDP contains the IPv4 address first
- IPv6 - SDP contains the IPv6 address first
- NONE - SDP contains the native address family of the egress realm first

In the 200OK to the INVITE, the callee chooses either the IPv6 or IPv4 address to use for the call's media transport between itself and Oracle® Enterprise Session Border Controller. After the Oracle® Enterprise Session Border Controller receives the 200OK, the chosen flow is installed, and the unused socket is discarded.

For two realms from different address families to share the same phy-interface and vlan, you use a .4 or .6 tag in the network-interface reference. When IPv4 and IPv6 realms share the same network-interface and VLAN, you identify them by realm name and network-interface configured as:

- IPv4 - <phy-interface>:<vlan>.4
- IPv6 - <phy-interface>:<vlan>.6



If the INVITE's egress realm is IPv6, `pref-address-type = NONE`, the outbound SDP has these `a=altc:` lines:

```
a=altc:1 IPv6 2001:4860:4860::8889 20001
a=altc:2 IPv4 10.10.10.21 20001
```

If the INVITE's egress realm is IPv6, `pref-address-type = IPv4`, the outbound SDP has these `a=altc:` lines:

```
a=altc:1 IPv4 10.10.10.21 20001
a=altc:2 IPv6 2001:4860:4860::8889 20001
```

SDP Alternate connectivity supports B2B and hairpin call scenarios. SDP Alternate connectivity also supports singleterm, B2B, and hairpin call scenarios.

When providing SDP alternate connectivity for SRTP traffic, in the security policy configuration element, the `network-interface` parameter's value must be configured with a `.4` or `.6` suffix to indicate IPv4 or IPv6 network, respectively.

## SDP Alternate Connectivity Configuration

To configure SDP alternate connectivity:

1. Access the **realm-config** configuration element.

```
ORACLE# configure terminal
ORACLE(configure)# media-manager
ORACLE(media-manager)# realm-config
ORACLE(realm-config)#
```

2. Select the **realm-config** object to edit.

```
ORACLE(realm-config)# select
identifier:
1: realm01 left-left:0 0.0.0.0

selection: 1
ORACLE(realm-config)#
```

3. **alt-realm-family** — Enter the realm name of the alternate realm, from which to use an IP address in the other address family. If this parameter is within an IPv4 realm configuration, you will enter an IPv6 realm name.
4. **pref-address-type** — Set the order in which the a=alrc: lines suggest preference. Valid values are:
  - none — address family type of egress realm signaling
  - ipv4 — IPv4 realm/address first
  - ipv6 — IPv6 realm/address first
5. Type **done** to save your configuration.

## Multiple Interface Realms

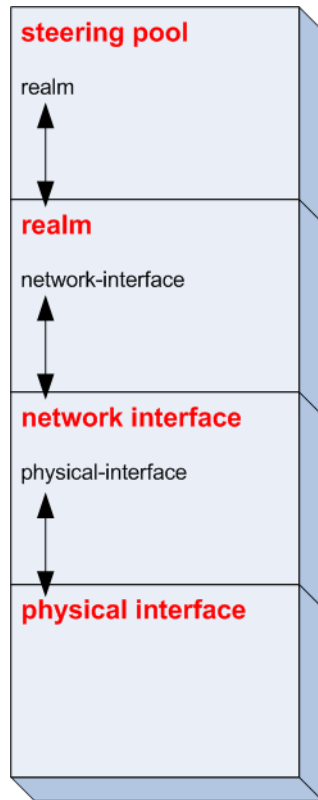
The multi-interface realm feature lets you group multiple network interfaces to aggregate their bandwidth for media flows. In effect, this feature lets you use the total throughput of the available phy-interfaces on your Oracle® Enterprise Session Border Controller for a single realm. Multi-interface realms are implemented by creating multiple steering pools, each on an individual network interface, that all reference a single realm.

 **Note:**

Labels that read 'physical interface' in the diagrams below should be understood to reference the **phy-interface** configuration element.

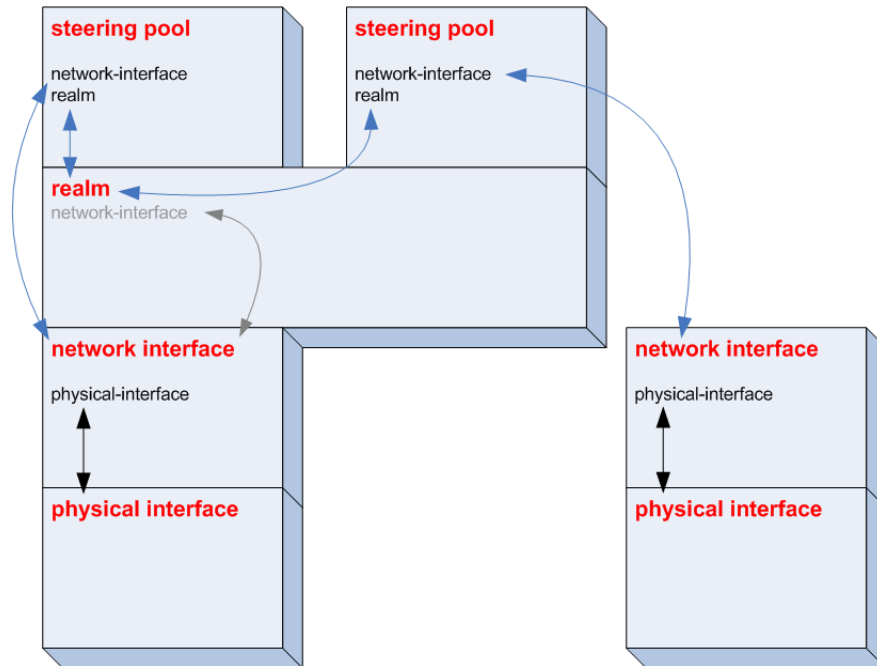
Of course, you can not to use this feature and configure your Oracle® Enterprise Session Border Controller to create a standard one-realm to one-network interface configuration.

Without using multiple interface realms, the basic hierarchical configuration of the Oracle® Enterprise Session Border Controller from the phy-interface through the media steering pool looks like this:

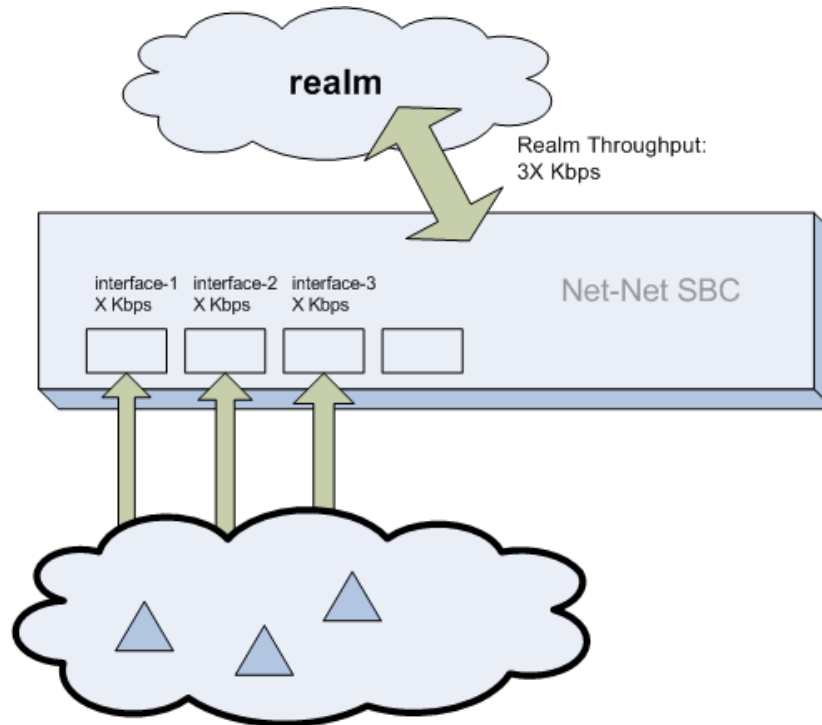


In this model, one (non-channelized) network interface exists on a phy-interface. One realm exists on one network interface. One or more steering pools can exist on one realm. Within each higher level configuration element exists a parameter that references a lower level configuration element in the Oracle® Enterprise Session Border Controller's logical network model.

The multi-interface realm feature directs media traffic entering and exiting multiple network interfaces in and out of a single realm. Since all the steering pools belong to the same realm, their assigned network interfaces all feed into the same realm as well. The following diagram shows the relationship in the new logical model:



The advantage of using multi-interface realms is the ability to aggregate the bandwidth available to multiple network interfaces for a larger-than-previously-available total bandwidth for a realm. In the illustration below, three phy-interfaces each have X Kbps of bandwidth. The total bandwidth available to the realm with multiple network interfaces is now 3X the bandwidth. (In practical usage, interface-1 only contributes X - VoIP Signaling to the total media bandwidth available into the realm.)



## Steering Pool Port Allocation

Every steering pool you create includes its own range of ports for media flows. The total number of ports in all the steering pools that feed into one realm are available for calls in and out of the realm.

Steering pool ports for a given realm are assigned to media flows sequentially. When the first call enters the Oracle® Enterprise Session Border Controller after start-up, it is assigned the first ports on the first steering pool that you configured. New calls are assigned to ports sequentially in the first steering pool. When all ports from the first steering pool are exhausted, the Oracle® Enterprise Session Border Controller uses ports from the next configured steering pool. This continues until the last port on the last configured steering pool is used.

After the final port is used for the first time, the next port chosen is the one first returned as empty from the full list of ports in all the steering pools. As media flows are terminated, the ports they used are returned to the realm's full steering pool. In this way, after initially exhausting all ports, the realm takes new, returned, ports from the pool in a least last used manner.

When a call enters the Oracle® Enterprise Session Border Controller, the signaling application allocates a port from all of the eligible steering pools that will be used for the call. Once a port is chosen, the Oracle® Enterprise Session Border Controller checks if the steering pool that the port is from has a defined network interface. If it does, the call is set up on the corresponding network interface. If a network interface is not defined for that steering pool, the network interface defined for the realm is used.

## Network Interface Configuration

This section explains how to configure your Oracle® Enterprise Session Border Controller to use multiple interface realms.

You must first configure multiple phy-interfaces and multiple network interfaces on your Oracle® Enterprise Session Border Controller.

To configure the realm configuration for multi-interface realms.

1. In Superuser mode, type **configure terminal** and press Enter.

```
ORACLE# configure terminal
```

2. Type **media-manager** and press Enter to access the media-manager path.

```
ORACLE(configure)# media-manager
```

3. Type **realm-config** and press Enter. The system prompt changes.

```
ORACLE(media-manager)# realm-config  
ORACLE(realm-config)#
```

From this point, you can configure a realm that will span multiple network interfaces.

4. **network-interfaces**—Enter the name of the network interface where the signaling traffic for this realm will be received.

## Creating Steering Pools for Multiple Interface Realms

To configure steering pools for multi-interface realms:

1. In Superuser mode, type **configure terminal** and press Enter.

```
ORACLE# configure terminal
```

2. Type **media-manager** and press Enter to access the media-manager path.

```
ORACLE(configure)# media-manager
```

3. Type **steering-pool** and press Enter. The system prompt changes.

```
ORACLE(media-manager)# steering-pool  
ORACLE(steering-pool)#
```

From this point, you can configure steering pools which collectively bridge the multiple network interfaces they are connected to.

4. **ip-address**—Enter the IP address of the first steering pool on the first network interface.

This IP address must correspond to an IP address within the subnet of a network interface you have already configured.

This IP can not exist on a network interface other than the one you configure in the **network-interface** parameter.

5. **start-port**—Enter the beginning port number of the port range for this steering pool. The default is **0**. The valid range is:

- Minimum—0
- Maximum—65535

6. **end-port**—Enter the ending port number of the port range for this steering pool. The default is **0**. The valid range is:

- Minimum—0
- Maximum—65535

7. **realm-id**—Enter the name of the realm which this steering pool directs its media traffic toward.

8. **network-interface**—Enter the name of the network interface you want this steering pool to direct its media toward. This parameter will match a **name** parameter in the network-interface configuration element. If you do not configure this parameter, you can only assign a realm to a single network interface, as the behavior was in all Oracle® Enterprise Session Border Controller Software releases pre- 2.1.

9. Create additional steering pools on this and on other network interfaces as needed. Remember to type **done** when you are finished configuring each new steering pool.

## Media over TCP

The Oracle® Enterprise Session Border Controller now supports RFC 4145 (TCP-Based Media Transport in the SDP), also called TCP Bearer support. Media over TCP can be used to support applications that use TCP for bearer path transport.

RFC 4145 adds two new attributes, setup and connection, to SDP messages. The setup attribute indicates which end of the TCP connection should initiate the connection. The connection attribute indicates whether an existing TCP connection should be used or if a new TCP connection should be setup during re-negotiation. RFC 4145 follows the offer/answer model specified in RFC3264. An example of the SDP offer message from the end point 192.0.2.2 as per RFC4145 is as given below:

```
m=image 54111 TCP t38
c=IN IP4 192.0.2.2
a=setup:passive
a=connection:new
```

This offer message indicates the availability of t38 fax session at port 54111 which runs over TCP. Oracle® Enterprise Session Border Controller does not take an active part in the application-layer communication between each endpoint.

The Oracle® Enterprise Session Border Controller provides the means to set up the end-to-end TCP flow by creating the TCP/IP path based on the information learned in the SDP offer/answer process.

## TCP Bearer Conditions

The following conditions are applicable to the Oracle® Enterprise Session Border Controller's support of RFC 4145.

1. The Oracle® Enterprise Session Border Controller can not provide media-over-TCP for HNT scenarios (endpoints behind a NAT).
2. When media is released into the network, the TCP packets do not traverse the Oracle® Enterprise Session Border Controller because no TCP bearer connection is created.
3. The Oracle® Enterprise Session Border Controller does not inspect the setup and connection attributes in the SDP message since the TCP packets transparently pass through the Oracle® Enterprise Session Border Controller. These SDP attributes are forwarded to the other endpoint. It is the other endpoint's responsibility to act accordingly.
4. After the Oracle® Enterprise Session Border Controller receives a SYN packet, it acts as a pure pass through for that TCP connection and ignores all further TCP handshake messages including FIN and RST. The flow will only be torn down in the following instances:
  - The TCP initial guard timer, TCP subsequent guard timer, or the TCP flow time limit timer expire for that flow.
  - The whole SIP session is torn down.



## TCP Port Selection

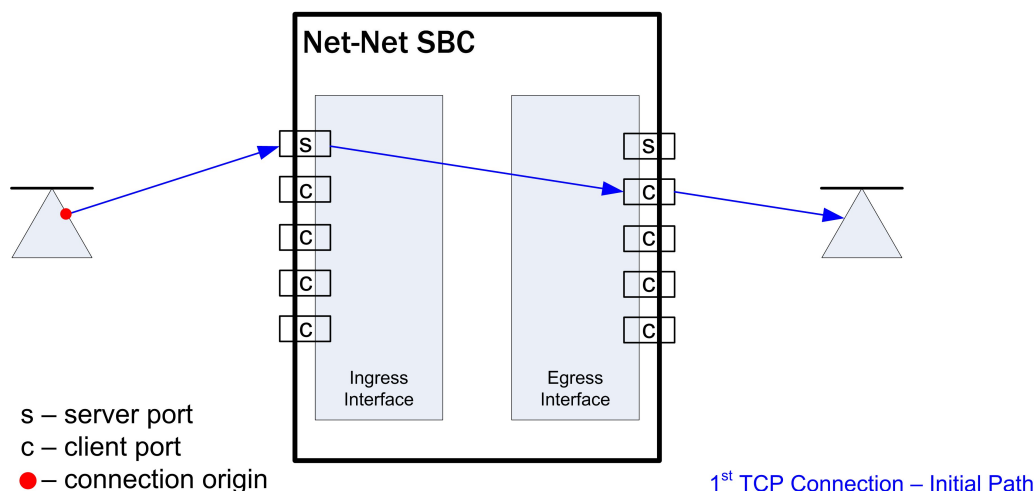
When a call is first set up, the Oracle® Enterprise Session Border Controller inspects the SDP message's m-line to see if any media will be transported via TCP. If the SDP message indicates that some content will use TCP, the Oracle® Enterprise Session Border Controller allocates a configured number of steering ports for the media-over-TCP traffic. These TCP media ports are taken from the each realm's steering pool.

Each endpoint can initiate up to four end-to-end TCP flows between itself and the other endpoint. The Oracle® Enterprise Session Border Controller assigns one port to receive the initial TCP packet (server port), and one to four ports assigned to send TCP traffic (client ports) to the receiving side of the TCP flow. The number of TCP flows for each call is configured globally.

In order to configure the Oracle® Enterprise Session Border Controller to facilitate and support this process, you need to specify the number of ports per side of the call that can transport discrete TCP flows. You can configure one to four ports/flows. For configuration purposes, the Oracle® Enterprise Session Border Controller counts this number as inclusive of the server port. Therefore if you want the Oracle® Enterprise Session Border Controller to provide a maximum of one end-to-end TCP flow, you have to configure two TCP ports; one to receive, and one to send. The receiving port (server) is reused to set up every flow, but the sending port (client) is discrete per flow. For example: for 2 flows in each direction, set the configuration to 3 TCP ports per flow; for 3 flows in each direction, set the configuration to 4 TCP ports per flow, etc.

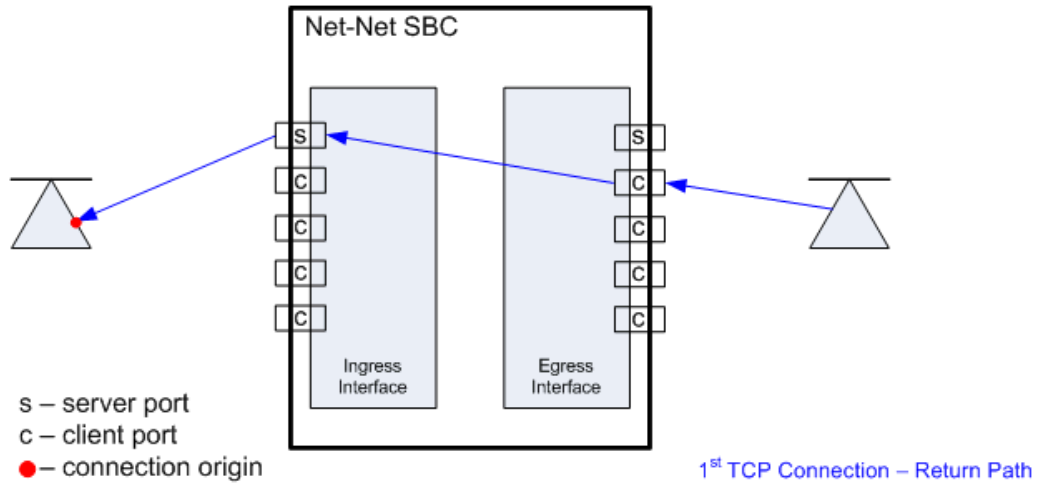
The server port is used for initiating a new TCP connection. An endpoint sends the first packet to a server port on the ingress interface. The packet is forwarded out of the Oracle® Enterprise Session Border Controller through a client port on the egress interface toward an endpoint:

### TCP Connection 1 - Eastward Path



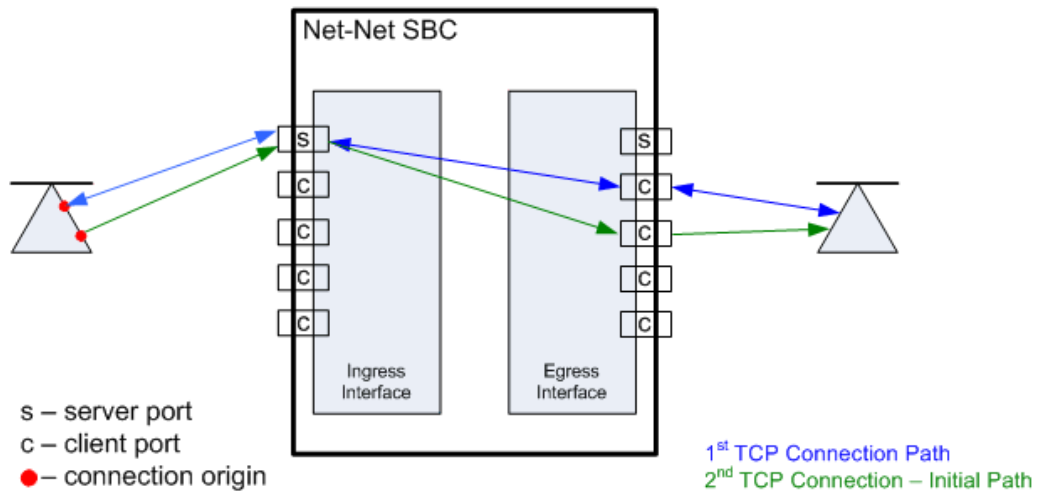
The endpoint responds back to the client port on the egress interface. This message traverses the Oracle® Enterprise Session Border Controller and is forwarded out of the server port on the ingress interface where the initial packet was sent. The remainder of the TCP flow uses the server and client port pair as a tunnel through the Oracle® Enterprise Session Border Controller:

## TCP Connection 1 - Westward Path



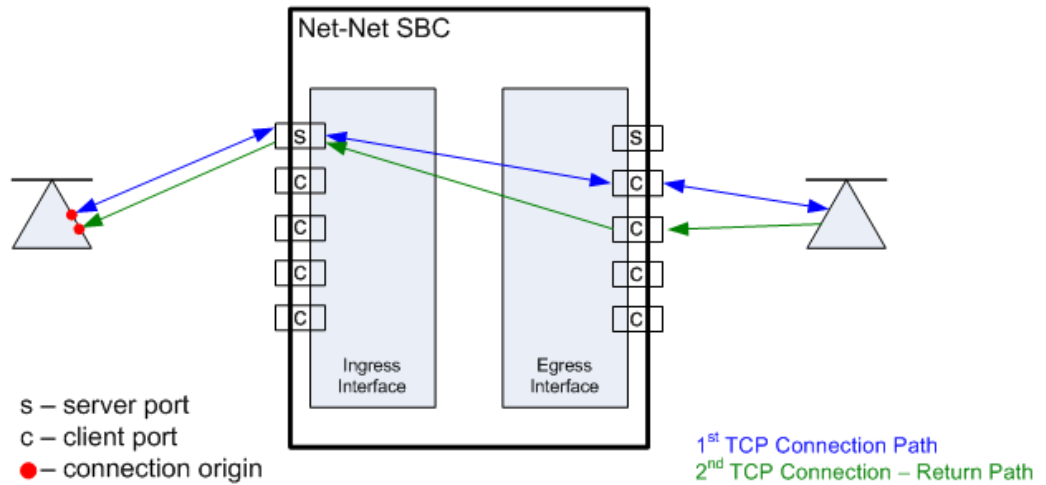
When the second TCP connection is set up in the same direction as in the first example, the first packet is still received on the server port of the ingress interface. The next unused client port is chosen for the packet to exit the Oracle® Enterprise Session Border Controller:

## TCP Connection 2 - Eastward Path



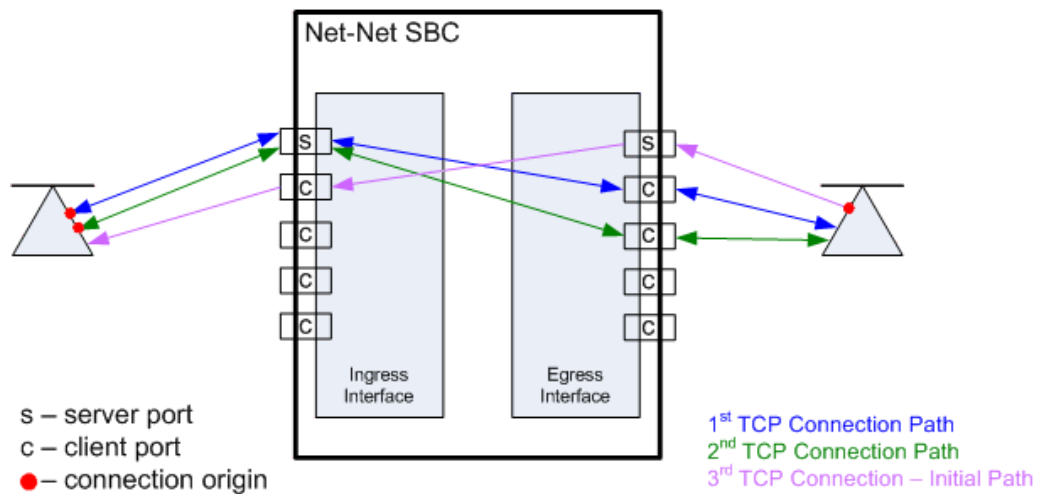
The response takes the same path back to the caller. The remainder of the second TCP connection uses this established path:

### TCP Connection 2 - Westward Path



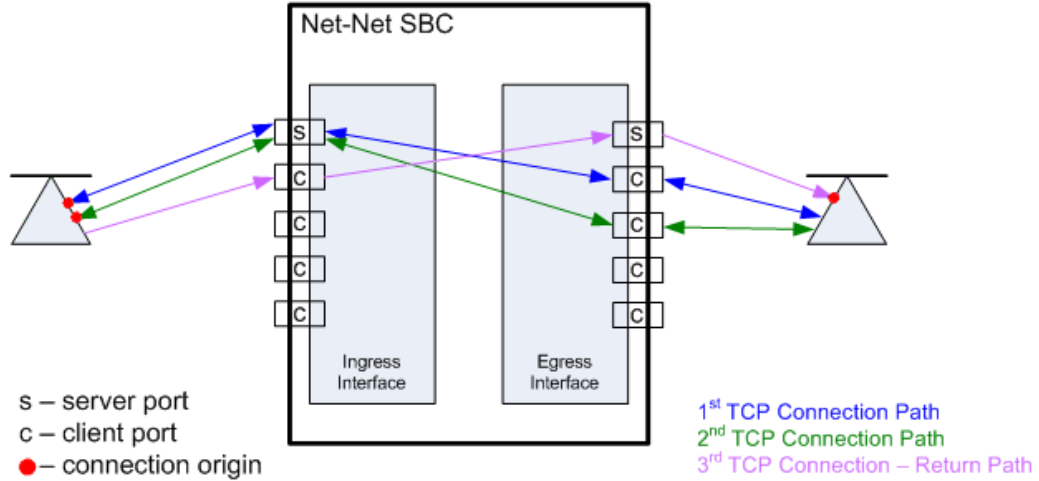
When the callee initiates a TCP connection, it must send its initial traffic to the server port on its Oracle® Enterprise Session Border Controller ingress interface. The packet is forwarded out of the first free client port on the egress side of this TCP connection toward the caller.

### TCP Connection 3 – Callee Initiates Connection



The caller's response takes the same path back to the callee that initiated this TCP connection. The remainder of the third TCP connection uses this established path.

## TCP Connection 3 – Return Path: Caller to Callee

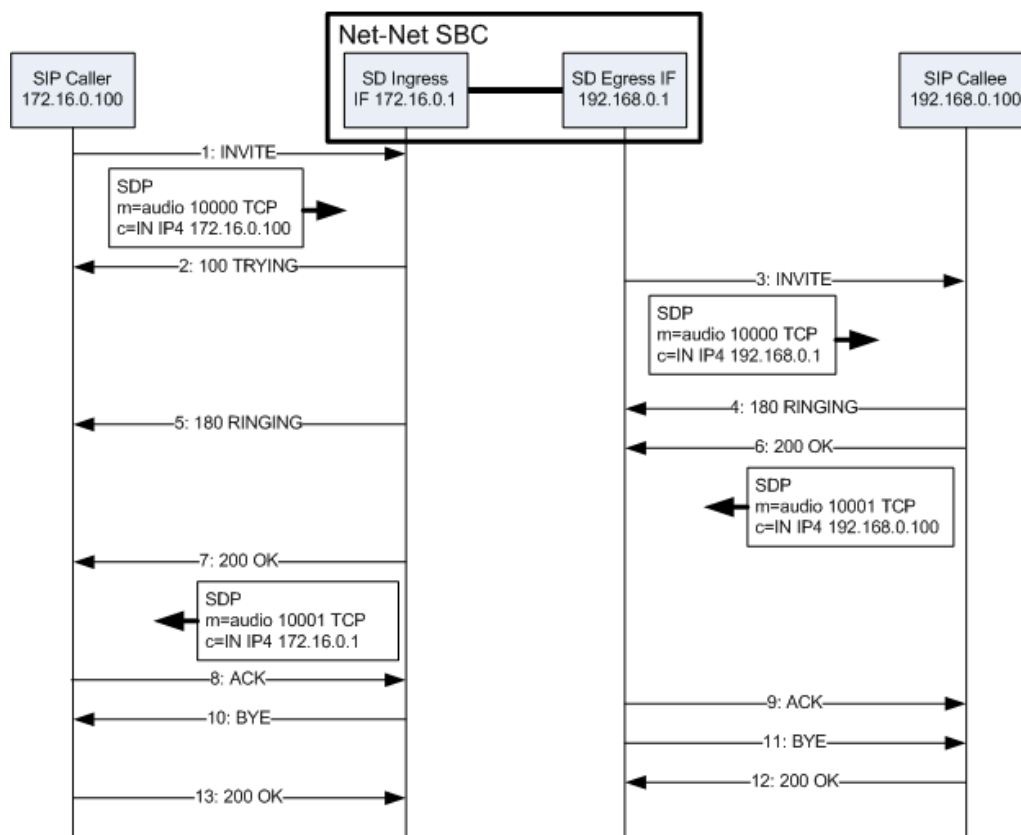


The Oracle® Enterprise Session Border Controller can support a total of eight media-over-TCP connections per call. A maximum of 4 connections are supported as initiated from each side of the call.

## SDP Offer Example

The following abbreviated call flow diagram sets up a media-over-TCP flow. Observe that the caller listens for audio over TCP on 172.16.0.10:10000, as described in the SDP offer (1). The Oracle® Enterprise Session Border Controller re-writes the m and c lines in the SDP offer to reflect that it is listening for audio over TCP on its egress interface at 192.168.0.1:10000 (3). The Oracle® Enterprise Session Border Controller then forwards the SIP invite to the callee.

The SIP callee responds with an SDP answer in a 200 OK message. The callee indicates it is listening for the audio over TCP media on 192.168.0.10:10001 (6). The Oracle® Enterprise Session Border Controller re-writes the m and c lines in the SDP answer to reflect that it is listening for audio over TCP on the call's ingress interface at 172.16.0.1:10001 (7). The Oracle® Enterprise Session Border Controller then forwards the SIP invite to the caller.



All interfaces involved with the end-to-end TCP flow have now established their listening IP address and port pairs.

## Timers

The Oracle® Enterprise Session Border Controller has three guard timers that ensure a TCP media flow does not remain connected longer than configured. You can set each of these from 0 (disabled) to 999999999 in seconds.

- TCP initial guard timer — Sets the maximum time in seconds allowed to elapse between the initial SYN packet and the next packet in this flow.
- TCP subsequent guard timer — Sets the maximum time in seconds allowed to elapse between all subsequent sequential TCP packets.
- TCP flow time limit — Sets the maximum time that a single TCP flow can last. This does not refer to the entire call.

## TCP Port Configuration

To configure media over TCP:

1. In Superuser mode, type **configure terminal** and press Enter.

```
ORACLE# configure terminal
```

2. Type **media-manager** and press Enter to access the media-level configuration elements.

```
ORACLE(configure)# media-manager
ORACLE(media-manager)#
```

3. Type **media-manager** and press Enter to begin configuring media over TCP.

```
ORACLE(media-manager)# media-manager
ORACLE(media-manager-config)#
```

4. **tcp-number-of-ports-per-flow**—Enter the number of ports, inclusive of the server port, to use for media over TCP. The total number of supported flows is this value minus one. The default is 2. The valid range is:

- Minimum—2
- Maximum—5

```
ORACLE(realm-config)# tcp-number-of-ports-per-flow 5
```

5. **tcp-initial-guard-timer**—Enter the maximum time in seconds allowed to elapse between the initial SYN packet and the next packet in a media-over-TCP flow. The default is 300. The valid range is:

- Minimum—0
- Maximum—999999999

```
ORACLE(realm-config)# tcp-initial-guard-timer 300
```

6. **tcp-subsq-guard-timer**—Enter the maximum time in seconds allowed to elapse between all subsequent sequential media-over-TPC packets. The default is 300.

- Minimum—0
- Maximum—999999999

```
ORACLE(realm-config)# tcp-subsq-guard-timer 300
```

7. **tcp-flow-time-limit**—Enter the maximum time in seconds that a media-over-TCP flow can last. The default is 86400. The valid range is:

- Minimum—0
- Maximum—999999999

```
ORACLE(realm-config)# tcp-flow-time-limit 86400
```

## Transparent BFCP Support over UDP and TCP

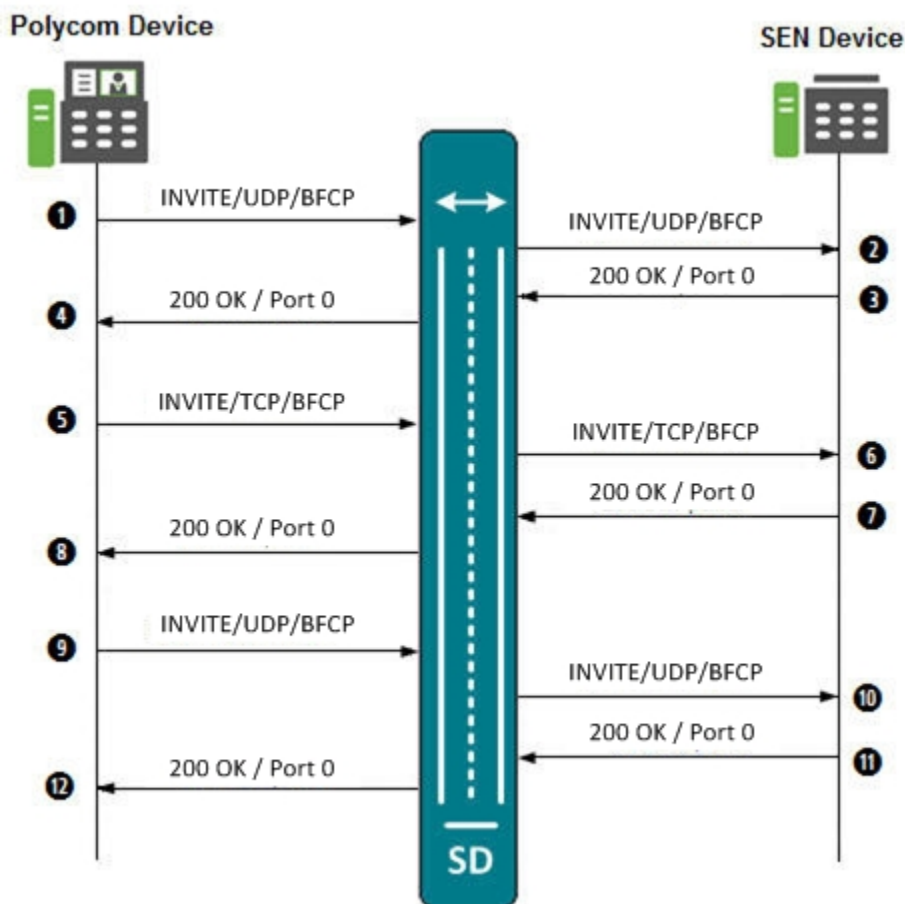
Binary Floor Control Protocol (BFCP) is a protocol for controlling the access to the media resources in a conference, such as conference and media session setup, conference policy manipulation, and media control (as defined in RFC 4582).

The Oracle® Enterprise Session Border Controller now supports BFCP for interworking between Polycom video devices and Siemens Enterprise Communications (SEN) endpoints. When a SIP INVITE request containing a Session Description Protocol (SDP) from a Polycom device is sent to a SEN device, the Oracle® Enterprise Session Border Controller passes the INVITE request between the two devices regardless of the transfer protocol being used by the devices (UDP or TCP). It also passes the INVITE whether or not it is accepted or rejected by the destination device. The transfer protocol changes between UDP and TCP during the dialog between both endpoints on either side of the Oracle® Enterprise Session Border Controller.

 **Note:**

If both endpoints on either side of the Oracle® Enterprise Session Border Controller support BFCP, the BFCP is answered with the first SDP offer/answer cycle.

The following illustrates the call flow between a Polycom device and a SEN device when an INVITE is sent from the Polycom device.



The following list describes the call flow process.

1. Polycom device initiates a call to the SEN device by sending a SIP INVITE to the SD with SDP, using UDP and BFCP.

2. SD forwards the SIP INVITE to the SEN device.
3. SEN device does not support BFCP, and therefore, rejects the INVITE and sends a 200 Ok with port '0' from the SEN side to the SD.
4. SD forwards the 200 Ok response to the Polycom device.
5. Polycom device looks at port '0' and changes the media transport type from UDP to TCP. It then sends a re-INVITE to the SD.
6. SD forwards the re-INVITE to the SEN device.
7. SEN device does not support BFCP, and therefore, rejects the re-INVITE, and sends a 200 Ok with port '0' from the SEN side to the SD.
8. SD forwards the 200 Ok response to the Polycom device.
9. Polycom device looks at port '0' and changes the media transport type from TCP to UDP. It then sends a re-INVITE to the SD.
10. SD forwards the re-INVITE to the SEN device.
11. SEN device does not support BFCP, and therefore, rejects the re-INVITE, and sends a 200 Ok with port '0' from the SEN side to the SD.
12. SD forwards the 200 Ok response to the Polycom device.
13. Process repeats Steps 5 through 12 until the call is accepted by the SEN device.

## Restricted Media Latching

The restricted media latching feature lets the Oracle® Enterprise Session Border Controller latch only to media from a known source IP address, in order to learn and latch the dynamic UDP port number. The restricting IP address's origin can be either the SDP information or the SIP message's Layer 3 (L3) IP address, depending on the configuration.

### About Latching

Latching is when the Oracle® Enterprise Session Border Controller listens for the first RTP packet from any source address/port for the destination address/port of the Oracle® Enterprise Session Border Controller. The destination address/port is allocated dynamically and sent in the SDP. After it receives a RTP packet for that allocated destination address/port, the Oracle® Enterprise Session Border Controller only allows subsequent RTP packets from that same source address/port for that particular Oracle® Enterprise Session Border Controller destination address/port. Latching does not imply that the latched source address/port is used for the destination of the reverse direction RTP packet flow (it does not imply the Oracle® Enterprise Session Border Controller will perform symmetric RTP).

### Restricted Latching

The Oracle® Enterprise Session Border Controller restricts latching of RTP/RTCP media for all calls within a realm. It latches to media based on one of the following:

- SDP: the IP address and address range based on the received SDP c= connect address line in the offer and answer.



- Layer 3: the IP address and address range based on the received L3 IP address of the offer or answer. This option is for access registered HNT endpoints. If the L3 IP address is locally known and cached by the Oracle® Enterprise Session Border Controller as the public SIP contact address, that information could be used instead of waiting for a response. The Oracle® Enterprise Session Border Controller might use the L3 IP address restriction method for all calls regardless of whether the endpoint is behind a NAT or not, for the same realms.

## Symmetric Latching

A mode where a device's source address/ports for the RTP/RTCP it sends to the Oracle® Enterprise Session Border Controller (E-SBC) that are latched, are then used for the destination of RTP/RTCP sent to the device.

After allocating the media session in SIP, the E-SBC sets the restriction mode and the restriction mask for the calling side as well as for the called side. It sets the source address and address prefix bits in the flow. It also parses and loads the source flow address into the MIBOCO messages. After receiving the calling SDP, the E-SBC sets the source address (address and address prefix) in the appropriate flow (the flow going from calling side to the called side). After receiving the SDP from the called side, the E-SBC sets the source address in the flow going from the called side to the calling side.

The E-SBC uses either the address provided in the SDP or the layer 3 signaling address for latching. You also configure the E-SBC to enable latching so that when it receives the source flow address, it sets the address and prefix in the NAT flow. When the NAT entry is installed, all the values are set correctly. In addition, sipd sends the information for both the incoming and outgoing flows. After receiving SDP from the called side sipd, the E-SBC sends information for both flows to the MIBOCO so that the correct NAT entries are installed.

Enabling restricted latching may make the E-SBC wait for a SIP/SDP response before latching, if the answerer is in a restricted latching realm. This is necessary because the E-SBC does not usually know what to restrict latching to until the media endpoint is reached. The only exception could be when the endpoint's contact/IP is cached.

## Relationship to Symmetric Latching

The current forced HNT symmetric latching feature lets the Oracle® Enterprise Session Border Controller assume devices are behind NATs, regardless of their signaled IP/SIP/SDP layer addresses. The Oracle® Enterprise Session Border Controller latches on any received RTP destined for the specific IP address/port of the Oracle® Enterprise Session Border Controller for the call, and uses the latched source address/port for the reverse flow destination information.

If both restricted latching and symmetric latching are enabled, the Oracle® Enterprise Session Border Controller only latches if the source matches the restriction, and the reverse flow will only go to the address/port latched to, and thus the reverse flow will only go to an address of the same restriction.

- Symmetric latching is enabled.  
If symmetric latching is enabled, the Oracle® Enterprise Session Border Controller sends the media in the opposite direction to the same IP and port, after it latches to the source address of the media packet.
- Symmetric latching is disabled.

If symmetric latching is disabled, the Oracle® Enterprise Session Border Controller only latches the incoming source. The destination of the media in the reverse direction is controlled by the SDP address.

## Example 1

A typical example is when the Oracle® Enterprise Session Border Controller performs HNT and non-HNT registration access for endpoints. Possibly the SDP might not be correct, specifically if the device is behind a NAT. Therefore the Oracle® Enterprise Session Border Controller needs to learn the address for which to restrict the media latching, based on the L3 IP address. If the endpoint is not behind a NAT, then the SDP could be used instead if preferred. However, one can make some assumptions that access-type cases will require registration caching, and the cached fixed contact (the public FW address) could be used instead of waiting for any SDP response.

## Example 2

Another example is when a VoIP service is provided using symmetric-latching. A B2BUA/proxy sits between HNT endpoints and the Oracle® Enterprise Session Border Controller, and calls do not appear to be behind NATs from the Oracle® Enterprise Session Border Controller's perspective. The Oracle® Enterprise Session Border Controller's primary role, other than securing softswitches and media gateways, is to provide symmetric latching so that HNT media will work from the endpoints.

To ensure the Oracle® Enterprise Session Border Controller's latching mechanism is restricted to the media from the endpoints when the SIP Via and Contact headers are the B2BUA/proxy addresses and not the endpoints', the endpoint's real (public) IP address in the SDP of the offer/answer is used. The B2BUA/proxy corrects the c= line of SDP to that of the endpoints' public FW address.

The Oracle® Enterprise Session Border Controller would then restrict the latching to the address in the SDP of the offer from the access realm (for inbound calls) or the SDP answer (for outbound calls).

## Restricted Latching Configuration

To configure restricted latching:

1. In Superuser mode, type **configure terminal** and press Enter.

```
ORACLE# configure terminal
```

2. Type **media-manager** and press Enter to access the media-level configuration elements.

```
ORACLE(configure)# media-manager  
ORACLE(media-manager)#
```

3. Type **realm-config** and press Enter. The system prompt changes to let you know that you can begin configuring individual parameters.

```
ORACLE(media-manager)# realm-config  
ORACLE(realm-config)#
```

4. Select the realm where you want to apply this feature.

```
ORACLE(realm-config)# select
identifier:
1: Acme_Realm <none>          0.0.0.0
2: H323REALM <none>         0.0.0.0
selection:1
ORACLE(realm-config)#
```

5. **restricted-latching**— Enter the restricted latching mode. The default is **none**. The valid values are:
  - **none**—No restricted-latching used
  - **sdp**—Use the address provided in the SDP for latching
  - **peer-ip**—Use the layer 3 signaling address for latching
6. **restriction-mask**— Enter the number of address bits you want used for the source latched address. This field will be used only if the restricted-latching is used. The default is **32**. When this value is used, the complete IP address is matched for IPv4 addresses. The valid range is:
  - Minimum—1
  - Maximum—128

## Media Release Across SIP Network Interfaces

This feature lets the Oracle® Enterprise Session Border Controller release media between two SIP peers, between two realms on two network interfaces of the same Oracle® Enterprise Session Border Controller. Use this feature when you want the Oracle® Enterprise Session Border Controller to release media for specific call flows, regardless of the attached media topology.

### Media Release Configuration

To configure media release across network interfaces:

1. In Superuser mode, type **configure terminal** and press Enter.

```
ORACLE# configure terminal
```

2. Type **media-manager** and press Enter to access the media-level configuration elements.

```
ORACLE(configure)# media-manager
ORACLE(media-manager)#
```

3. Type **realm-config** and press Enter. The system prompt changes to let you know that you can begin configuring individual parameters.

```
ORACLE(media-manager)# realm-config
ORACLE(realm-config)#
```

4. Select the realm where you want to apply this feature.

```
ORACLE(realm-config)# select
identifier:
1: Acme_Realm <none>          0.0.0.0
2: H323REALM <none>         0.0.0.0
selection:1
ORACLE(realm-config)#
```

5. **mm-in-system**—Set this parameter to **enabled** to manage/latch/steer media in the Oracle® Enterprise Session Border Controller. Set this parameter to **disabled** to release media in the Oracle® Enterprise Session Border Controller.

 **Note:**

Setting this parameter to disabled will cause the Oracle® Enterprise Session Border Controller to NOT steer media through the system (no media flowing through this Oracle® Enterprise Session Border Controller).

The default is **enabled**. The valid values are:

- enabled | disabled

## Media Release Behind the Same IP Address

The media management behind the same IP feature lets the Oracle® Enterprise Session Border Controller release media when two endpoints are behind the same IP address, in the same realm. Using this feature prevents the media for intra-site calls from going through the Oracle® Enterprise Session Border Controller. You can use this feature for both hosted NAT traversal (HNT) and non-HNT clients. It works with NATed endpoints and for non-NATed ones that are behind the same IP.

## Additional Media Management Options

Additional media management options include:

- Media directed between sources and destinations within this realm on this specific Oracle® Enterprise Session Border Controller. Media travels through the Oracle® Enterprise Session Border Controller rather than straight between the endpoints.
- Media directed through the Oracle® Enterprise Session Border Controller between endpoints that are in different realms, but share the same subnet.
- For SIP only, media released between multiple Oracle® Enterprise Session Border Controllers.  
To enable SIP distributed media release, you must set the appropriate parameter in the realm configuration. You must also set the SIP options parameter to media-release with the appropriate header name and header parameter information. This option defines how the Oracle® Enterprise Session Border Controller encodes IPv4 address and port information for media streams described by, for example, SDP.

## Configuring Media Release Behind the Same IP Address

You need to configure both the `mm-in-realm` and `mm-same-ip` parameters for the realm:

- If the `mm-in-realm` parameter is disabled, the `mm-same-ip` parameter is ignored.
- If the `mm-in-realm` parameter is enabled and the `mm-same-ip` parameter is disabled, media will be managed in the realm but released if the two endpoints are behind the same IP address.

To configure media management:

1. In Superuser mode, type **configure terminal** and press Enter.

```
ORACLE# configure terminal
```

2. Type **media-manager** and press Enter to access the media-related configurations.

```
ORACLE(configure)# media-manager
```

3. Type **realm** and press Enter. The system prompt changes to let you know that you can begin configuring individual parameters.

```
ORACLE(media-manager)# realm-config
ORACLE(realm-config)#
```

From this point, you can configure realm parameters. To view all realm configuration parameters, enter a `?` at the system prompt.

4. **mm-in-realm**—Enable if you plan to use **mm-same-ip**. If this parameter is disabled, the **mm-same-ip** parameter is ignored. If you set this to **enabled** and `mm-same-ip` to **disabled**, media is managed in the realm but released if the two endpoints are behind the same IP address. The default is **disabled**. The valid values are:
  - enabled | disabled
5. **mm-same-ip**—Enable if you want media to go through this Oracle® Enterprise Session Border Controller, if **mm-in-realm** is **enabled**. When **disabled**, the media will not go through the Oracle® Enterprise Session Border Controller for endpoint that are behind the same IP. The default is **enabled**. The valid values are:
  - enabled | disabled

## Bandwidth CAC for Media Release

The bandwidth CAC for media release feature adds per-realm configuration that determines whether or not to include inter-realm calls in bandwidth calculations. When you use this feature, the Oracle® Enterprise Session Border Controller's behavior is to count and subtract bandwidth from the used bandwidth for a realm when a call within a single site has its media released. When you do not enable this feature (and the Oracle® Enterprise Session Border Controller's previous behavior), the Oracle® Enterprise Session Border Controller does not subtract the amount of bandwidth.

In other words:

- When you enable this feature, an inter-realm media-released call will decrement the maximum bandwidth allowed in that realm with the bandwidth used for that call.
- When you disable this feature (default behavior), and inter-realm media-released call will not decrement the maximum bandwidth allowed for that call.

## Bandwidth CAC Configuration

To enable bandwidth CAC for media release:

1. In Superuser mode, type **configure terminal** and press Enter.

```
ORACLE# configure terminal
```

2. Type **media-manager** and press Enter.

```
ORACLE(configure)# media-manager
ORACLE(media-manager)#
```

3. Type **realm-config** and press Enter. The system prompt changes to let you know that you can begin configuring individual parameters.

```
ORACLE(media-manager)# realm-config
ORACLE(realm-config)#
```

4. Select the realm where you want to add this feature.

```
ORACLE(realm-config)# select
```

5. **bw-cac-non-mm**—Enable this parameter to turn on bandwidth CAC for media release. The default is **disabled**. The valid values are:

- enabled | disabled

6. Save and activate your configuration.

## Media Release between Endpoints with the Same IP Address

You can configure your Oracle® Enterprise Session Border Controller to release media between two endpoints even when one of them:

- Is directly addressable at the same IP address as a NAT device, but is not behind a NAT device
- Is at the same IP address of a NAT device the other endpoint is behind

You enable this feature on a per-realm basis by setting an option in the realm configuration.

When this option is not set, the Oracle® Enterprise Session Border Controller will (when configured to do so) release media between two endpoints sharing one NAT IP address in the same realm or network.

## Media Release Configuration

In order for this feature to work properly, the following conditions apply for the realm configuration:

- Either the **mm-in-realm** or the **mm-in-network** parameter must be disabled; you can have one of these enabled as long as the other is not. The new option will apply to the parameter that is disabled.
- If either the **mm-in-realm** or **mm-in-network** parameter is enabled, then the **mm-same-ip** parameter must be disabled.

To enable media release between endpoints with the same IP address:

1. In Superuser mode, type **configure terminal** and press Enter.

```
ORACLE# configure terminal  
ORACLE(configure)#
```

2. Type **media-manager** and press Enter.

```
ORACLE(configure)# media-manager  
ORACLE(media-manager)#
```

3. Type **realm-config** and press Enter.

```
ORACLE(media-manager)# realm-config
```

If you are adding support for this feature to a pre-existing realm, then you must select (using the ACLI **select** command) the realm that you want to edit.

4. **options**—Set the options parameter by typing **options**, a Space, the option name **release-media-at-same-nat** with a plus sign in front of it, and then press Enter.

```
ORACLE(realm-config)# options +release-media-at-same-nat
```

**If you type the option without the plus sign, you will overwrite any previously configured options. In order to append the new options to the realm configuration's options list, you must prepend the new option with a plus sign as shown in the previous example.**

5. Save and activate your configuration.

## Media Release Behind the Same NAT IP Address

You can now configure your Oracle® Enterprise Session Border Controller to release media between endpoints sharing the same NAT IP address, even if one endpoint is at—but not behind—the same NAT. This feature expands on the Oracle® Enterprise Session Border Controller's pre-existing ability to release media between calling and called parties behind the same IP address/NAT device in the same realm or network.

## Media Release Configuration

For this feature to work properly, your realm configuration should either have the **mm-in-realm** or **mm-in-network** parameter set to disabled, unless the **mm-same-ip** parameter is set to disabled. If the **mm-same-ip** parameter is enabled, then **mm-in-realm** or **mm-in-network** can both be enabled.

To set the option that enables media release behind the same IP address:

1. In Superuser mode, type **configure terminal** and press Enter.

```
ORACLE# configure terminal  
ORACLE(config)#
```

2. Type **media-manager** and press Enter.

```
ORACLE(config)# media-manager  
ORACLE(media-manager)#
```

3. Type **realm-config** and press Enter.

```
ORACLE(media-manager)# realm-config  
ORACLE(realm-config)#
```

If you are adding support for this feature to a pre-existing realm, then you must select (using the ACLI **select** command) the realm that you want to edit.

4. **options**—Set the options parameter by typing **options**, a Space, the option name **release-media-at-same-nat** with a plus sign in front of it, and then press Enter.

```
ORACLE(realm-config)# options +release-media-at-same-nat
```

**If you type the option without the plus sign, you will overwrite any previously configured options. In order to append the new options to the realm configuration's options list, you must prepend the new option with a plus sign as shown in the previous example.**

5. Save and activate your configuration.

## Codec Reordering

Certain carriers deploy voice services where their peering partners do not use the carriers' preferred codecs. The Oracle® Enterprise Session Border Controller can now reorder the codecs so that the preferred one is selected first.

Take the example of a carrier that deploys a voice service using G.729 rather than G.711. If that carrier has a peering partner providing call origination for the VoIP customers with G.711 used as the preferred codec, there can be issues with codec selection.

The Oracle® Enterprise Session Border Controller resolves this issue by offering its codec reordering feature. Enabled for realms and session agents, this feature gives the Oracle® Enterprise Session Border Controller the ability to reorder the default



codec in an SDP offer to the preferred codec before it forwards the offer to the target endpoint. When you enable this feature, you increase the probability that the target endpoint will choose the preferred codec for its SDP answer, thereby avoiding use of the undesired codec.

You enable codec reordering feature by setting the preferred-codec=X (where X is the preferred codec) option in the realm and session agent configurations. You set it in the realm from which the Oracle® Enterprise Session Border Controller receives SDP offers (in requests or responses), and for which the media format list needs to be reordered by the Oracle® Enterprise Session Border Controller prior to being forwarded. To configure additional codec ordering support for cases when a response or request with an SDP offer is from a session agent, you can set this option in the session agent configuration.

If you enable the option, the Oracle® Enterprise Session Border Controller examines each SDP media description before it forwards an SDP offer. And if necessary, it performs reordering of the media format list to designate that the preferred codec as the default.

The Oracle® Enterprise Session Border Controller determines preferred codecs in the following ways:

- If the response or request with an SDP offer is from a session agent, the Oracle® Enterprise Session Border Controller determines the preferred codec by referring to the session agent configuration. You set the preferred codec for a session agent by configuring it with the preferred-codec=X option.
- If the response or request with an SDP offer is not from a session agent or is from a session agent that does not have the preferred-codec=X option configured, the Oracle® Enterprise Session Border Controller determines the preferred codec by referring to the preferred-codec=X option in the realm.
- If the Oracle® Enterprise Session Border Controller cannot determine a preferred codec, it does not perform codec reordering.

The way that the Oracle® Enterprise Session Border Controller performs codec reordering is to search for the preferred codec in the SDP offer's media description (m=) line, and designate it as the default codec (if it is not the default already). After it marks the preferred codec as the default, the Oracle® Enterprise Session Border Controller does not perform any operation on the remaining codecs in the media format list.

 **Note:**

that the Oracle® Enterprise Session Border Controller performs codec reordering on the media format list only. If the rtpmap attribute of the preferred codec is present, the Oracle® Enterprise Session Border Controller does not reorder it.

## Preferred Codec Precedence

When you configure preferred codecs in session agents or realms, be aware that the codec you set for a session agent takes precedence over one you set for a realm. This means that if you set preferred codecs in both configurations, the one you set for the session agent will be used.

In the case where the Oracle® Enterprise Session Border Controller does not find the session agent's preferred codec in the SDP offer's media format list, then it does not perform codec reordering even if the media format list contains the realm's preferred codec.

## Codec Reordering Configuration

When you configure codec ordering, the codec you set in either the session agent or realm configuration must match the name of a media profile configuration. If your configuration does not use media profiles, then the name of the preferred codec that you set must be one of the following:

- PCMU
- G726-32
- G723
- PCMA
- G722
- G728
- G729

 **Note:**

If you configure this feature for a session agent, you must configure it for the associated realm as well. Otherwise, the feature will not work correctly.

## Setting a Preferred Codec for a Realm

To set a preferred codec for a realm configuration:

These instructions assume that you want to add this feature to a realm that has already been configured.

1. In Superuser mode, type **configure terminal** and press Enter.

```
ORACLE# configure terminal
```

2. Type **media-manager** and press Enter.

```
ORACLE(configure)# media-manager  
ORACLE(media-manager)#
```

3. Type **realm-config** and press Enter. The system prompt changes to let you know that you can begin configuring individual parameters.

```
ORACLE(media-manager)# realm-config  
ORACLE(realm-config)#
```

4. Select the realm where you want to apply this feature.

```
ORACLE(realm-config)# select
identifier:
1: public      media2:0          0.0.0.0
2: private    medial:0              0.0.0.0
selection:1
ORACLE(realm-config)#
```

5. **options**—Set the **options** parameter by typing **options**, a Space, the option name preceded by a plus sign (+) (**preferred-codec=X**), and then press Enter. X is the codec that you want to set as the preferred codec.

```
ORACLE(realm-config)# options +preferred-codec=PCMU
```

**If you type `options preferred-codec=X`, you will overwrite any previously configured options. In order to append the new option to the realm-config's options list, you must prepend the new option with a plus sign as shown in the previous example.**

6. Save and activate your configuration.

## Setting a Preferred Codec for a Session Agent

To set a preferred codec for a session agent configuration:

These instructions assume that you want to add this feature to a session agent that has already been configured.

1. In Superuser mode, type **configure terminal** and press Enter.

```
ORACLE# configure terminal
```

2. Type **session-router** and press Enter.

```
ORACLE(configure)# session-router
ORACLE(session-router)#
```

3. Type **session-agent** and press Enter. The system prompt changes to let you know that you can begin configuring individual parameters.

```
ORACLE(session-router)# session-agent
ORACLE(session-agent)#
```

4. Select the session agent where you want to apply this feature.

```
ORACLE(session-agent)# select
<hostname>:
1: acmepacket.com realm=      ip=
2: sessionAgent2  realm=tester ip=172.30.1.150
selection:
selection:1
ORACLE(session-agent)#
```

5. **options**—Set the options parameter by typing **options**, a Space, the option name preceded by a plus sign (+) (**preferred-codec=X**), and then press Enter. X is the codec that you want to set as the preferred codec.

```
ORACLE(session-agent)# options +preferred-codec=PCMU
```

**If you type options preferred-codec=X, you will overwrite any previously configured options. In order to append the new option to the session agent's options list, you must prepend the new option with a plus sign as shown in the previous example.**

6. Save and activate your configuration.

## Media Profiles Per Realm

For different codecs and media types, you can set up customized media profiles that serve the following purposes:

- Police media values
- Define media bandwidth policies
- Support H.323 slow-start to fast-start interworking

You can use media policies globally for the Oracle® Enterprise Session Border Controller, or—starting with Release C6.1.0—you can configure them for application on a per-realm basis. For a realm, you can configure a list of media profiles you want applied. The Oracle® Enterprise Session Border Controller matches the value you set for the **match-media-profiles** parameter, and then applies those media profiles to the realm itself and to all of its child realms (but not to its parent realms).

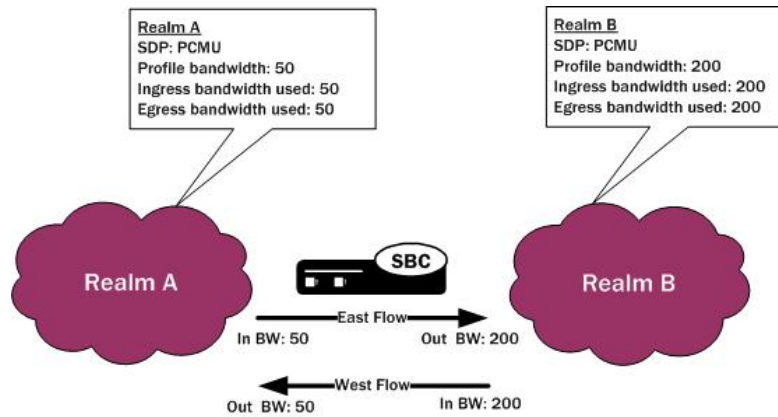
### Note:

This feature has no impact on the ways the Oracle® Enterprise Session Border Controller uses media profiles non-realm applications such as: H.323 interfaces, SIP interfaces, IWF, session agents, codec policies, and policy attributes.

## Call Admission Control and Policing

The Oracle® Enterprise Session Border Controller supports call admission control (CAC) based on realm, and it applies the limits on either ingress or egress bandwidth counters. If a call exceeds bandwidth on either the ingress or egress side, the Oracle® Enterprise Session Border Controller rejects the call. You can also use per-user CAC, which limits the maximum bandwidth from the east and west flows for both the TO and FROM users.

When you apply media profiles to a realm, the Oracle® Enterprise Session Border Controller applies bandwidth policing from the flow's ingress realm media profile. In the diagram below, the Oracle® Enterprise Session Border Controller polices traffic for Realm A based on Realm A's policing values, and the same is true for Realm B.



## Media Profile Configuration

This section shows you how to configure multiple media profiles per realm, and it explains how to use wildcarding.

To reference a media profile in this list, you need to enter its name and subname values in the following format `<name>::<subname>`. Releases C6.1.0 and later accept the subname so you can configure multiple media profile for the same codec; the codec **name** customarily serves and the name value for a media profile configuration.

## About Wildcarding

You can wildcard both portions (name and subname) of this value:

- When you wildcard the **name** portion of the value, you can provide a specific subname that the Oracle® Enterprise Session Border Controller uses to find matching media profiles.
- When you wildcard the subname portion of the value, you can provide a specific **name** that the Oracle® Enterprise Session Border Controller uses to find matching media profiles.

You can also enter the name value on its own, or wildcard the entire value. Leaving the subname value empty is also significant in that it allows the realm to use all media profile that have no specified **subname**. However, you cannot leave the **name** portion of the value unspecified (as all media profiles are required to have names).

Consider the examples in the following table:

Syntax	Example Value	Description
<code>&lt;name&gt;</code>	PCMU	Matches any and all media profiles with the name value configured as PCMU. This entry has the same meaning as a value with this syntax: <code>&lt;name&gt;::*</code> .
<code>&lt;name&gt;::</code>	PCMU::	Matches a media profile with the name with the name value configured as PCMU with an empty subname parameter.
<code>&lt;name&gt;::&lt;subname &gt;</code>	PCMU::64k	Matches a media profiles with the name with the name value configured as PCMU with the subname parameter set to 64k.

Syntax	Example Value	Description
*	*	Matches anything, but does not have to be a defined media profile.
*::*	*::*	Matches any and all media profiles, but requires the presence of media profile configurations.
*:: <subname&gt;< td=""> <td>*::64k</td> <td>Matches all media profiles with this subname. You might have a group of media profiles with different names, but the same subname value.</td> </subname&gt;<>	*::64k	Matches all media profiles with this subname. You might have a group of media profiles with different names, but the same subname value.
::	::	Matches any media profiles with an empty subname parameter.
::	::	Invalid
::*	::*	Invalid

The Oracle® Enterprise Session Border Controller performs matching for wildcarded **match-media-profiles** values last. Specific entries are applied first and take precedence. When the Oracle® Enterprise Session Border Controller must decide between media profiles matches, it selects the first match.

To use media profiles for a realm:

1. In Superuser mode, type **configure terminal** and press Enter.

```
ORACLE# configure terminal
ORACLE(configure)#
```

2. Type **media-manager** and press Enter.

```
ORACLE(configure)# media-manager
ORACLE(media-manager)#
```

3. Type **realm-config** and press Enter. If you are adding this feature to a pre-existing realm configuration, you will need to select and edit your realm.

```
ORACLE(media-manager)# realm-config
ORACLE(realm-config)#
```

4. **match-media-profiles**—In the form **<name>::, enter the media profiles you would like applied to this realm. These values correspond to the name and subname parameters in the media profile configuration. You can wildcard either of these portions of the value, or you can leave the **<subname>** portion empty.**

This parameter has no default.

5. Save and activate your configuration.

## Multiple Media Profiles

You can use the media profiles configuration to set up:

- One media profile for a particular SIP SDP encoding (such as G729), where the name of the profile identifies it uniquely. This behavior is your only option in Oracle® Enterprise Session Border Controller release prior to Release C6.1.0.

- Multiple media profiles for the same SIP SDP encoding. Available in Release C6.1.0 and forward, you can create multiple media profiles for the same encoding. To do so, you add a subname to the configuration, thereby identifying it uniquely using two pieces of information rather than one.

The sections below provide two descriptions of deployments where using multiple profiles for the same codec would solve codec and packetization problems for service providers.

## Use Case 1

Service Provider 1 peers with various carriers, each of which uses different packetization rates for the same codec. For example, their Peer 1 uses 10 milliseconds G.711 whereas their Peer 2 uses 30 milliseconds for the same codec. The difference in rates produces a difference in bandwidth consumption—resulting in a difference in SLA agreements and in Oracle® Enterprise Session Border Controller call admission control (CAC) and bandwidth policing. Service Provider 1 uses the Oracle® Enterprise Session Border Controller's media profile configuration parameters to determine CAC (**req-bandwidth**) and bandwidth policing (**avg-rate-limit**). Because this service provider's peers either do not use the SDP p-time attribute or use it inconsistently, it is difficult to account for bandwidth use. And so it is likewise difficult to set up meaningful media profiles.

The best solution for this service provider—given its traffic engineering and desire for the cleanest routing and provisioning structures possible—is to define multiple media profiles for the same codec.

## Use Case 2

Service Provider 2 supports H.263 video, for which the Oracle® Enterprise Session Border Controller offers a pre-provisioned media profile with a set bandwidth value. And yet, H.263 is not a codec that has a single bandwidth value. Instead, H.263 can have different bandwidth values that correspond to various screen resolution and quality. While it is true that the Oracle® Enterprise Session Border Controller can learn the requisite bandwidth value from SDP, not all SDP carries the bandwidth value nor do system operators always trust the values communicated.

Configuring multiple media profiles for the same codec (here, H.263) helps considerably with this problem—and moves closer to complete solution. Service Provider 2 can configure H.263 media profiles capable of handling the different bandwidth values that might appear.

## Multiple Media Profiles Configuration

Configuring the **subname** parameter in the media profiles configuration allows you to create multiple media profiles with the same name.

To configure the subname parameter for a media profile:

1. In Superuser mode, type **configure terminal** and press Enter.

```
ORACLE# configure terminal
ORACLE(configure)#
```

2. Type **session-router** and press Enter.

```
ORACLE(configure)# session-router
ORACLE(session-router)#
```

3. Type **media-profile** and press Enter. If you are adding this feature to a pre-existing media profile configuration, you will need to select and edit your media profile.

```
ORACLE(session-router)# media-profile
ORACLE(media-profile)#
```

4. **subtype**—Enter the subtype value for this media profile. Information such as the rate or bandwidth value make convenient subtype values. For example, you might set the **name** of the media profile as PCMU and the **subtype** as 64k.

This parameter is not required and has no default.

5. Save and activate your configuration.

## SIP Disable Media Inactivity Timer for Calls Placed on Hold

Hardware-based media flow guard timers detect when a call has lost media while it is being relayed through the Oracle® Enterprise Session Border Controller. In response, the system tears down the call.

You can configure **disable-guard-timer-sendonly** to disable media inactivity timers for calls placed on hold. The Oracle® Enterprise Session Border Controller disables initial and subsequent guard timers for media when the SIP or IWF call is put on hold with a 0.0.0.0 address in:

- The c=connection line
- An a=inactive attribute
- An a=sendonly attribute

It should be noted that disabling the media inactivity timers will also disable the guard timers for calls which are not necessarily on hold, but simply are one-way audio applications.

## Media Inactivity Timer Configuration

To disable the media inactivity timer for calls placed on hold:

1. In Superuser mode, type **configure terminal** and press Enter.

```
ORACLE# configure terminal
ORACLE(configure)#
```

2. Type **media-manager** and press Enter.

```
ORACLE(configure)# media-manager
ORACLE(media-manager)#
```



3. Type **media-manager-config** and press Enter.

```
ORACLE(media-manager)# media-manager-config  
ORACLE(media-manager-config)#
```

4. **options**—Set the options parameter by typing **options**, a Space, the option-name **disable-guard-timer-sendonly** with a plus sign in front of it, and then press Enter.

```
ORACLE(media-manager-config)# options +disable-guard-timer-sendonly
```

If you type the option without the plus sign, you will overwrite any previously configured options. In order to append the new options to the SIP interface configuration's options list, you must prepend the new option with a plus sign as shown in the previous example.

5. Save and activate your configuration.

## Media Manager Configuration for Virtual Machines (VM)

The Oracle® Enterprise Session Border Controller (E-SBC) provides you with a means of tuning the media manager for VM deployments.

As the E-SBC can classify traffic for use in DoS policing, bandwidth may be reserved for certain traffic types. Reserved bandwidth is expressed as a percentage of maximum available system bandwidth. The system's maximum bandwidth is determined by the hardware configuration and the number of available signaling cores. The maximum system bandwidth is defined as the speed of ingress traffic sent to the host, measured in packets per second (PPS). It is reported in the **show platform limits** command, referring to the "Maximum Signaling rate".

The following configuration options are available in the **media-manager-config**. These options are used to configure reserved bandwidth for application signaling, and ARP, and untrusted traffic.

- **max-signaling-packets**—Set the maximum overall bandwidth available for the host path in packets per second, which includes signaling messages from trusted and untrusted sources. The maximum value for each platform is used as the default value for that platform.
  - The maximum depends on the platform, as follows:
    - \* Acme Packet 1100 platform: the maximum is 10,000
    - \* Acme Packet 3900 platform: the maximum is 40,000
    - \* COTs and VM platforms: the maximum is system dependent
- **min-untrusted-signaling**—The minimum percentage of maximum system bandwidth available for untrusted traffic. The rest of the bandwidth is available for trusted resources, but can also be used for untrusted sources per max-untrusted-signaling. Default: 30. Range: 1-100.
- **max-untrusted-signaling**—The percentage of the maximum signaling packets you want to make available for messages coming from untrusted sources. This is a floating highwater mark and is only available when not in use by trusted sources. Default: 100. Range:1-100.

- **tolerance-window**—The size of the window, in seconds, used to measure host access limits for measuring the invalid message rate and maximum message rate for the realm configuration. Default: 30. Range: 0-4294967295.
- **max-arp-rate**—The maximum percentage or max-signaling-packets available for ARP traffic. Default: 30. Range: 1-100.

The user can also set controls on untrusted traffic from either realm or static ACL configuration using the **untrusted-signal-threshold** parameter.

# 4

## SIP Signaling Services

### About the Oracle® Enterprise Session Border Controller and SIP

This section describes the Oracle® Enterprise Session Border Controller's support of SIP. It provides the basic information you need to understand before you configure the Oracle® Enterprise Session Border Controller for SIP signaling.

#### Types of SIP Devices

There are four types of SIP devices:

- SIP user agent (UA) is an endpoint in SIP end-to-end communication. A UA is a user agent client (UAC) when it initiates a request and waits to receive a response. A UA is a user agent server (UAS) when it receives a request and generates a response. A given UA will be a UAC or a UAS depending on whether it is initiating the request or receiving the request.
- A SIP proxy (or proxy server) is an intermediary entity that acts as both a server and a client for the purpose of making requests on behalf of other clients. A proxy server's primary role is routing. Its job is to ensure that a request is sent to another entity closer to the targeted user. A proxy interprets, and if necessary, rewrites specific parts of a request message before forwarding it.
- A SIP redirect server is a UAS that generates redirect responses to requests it receives, directing the client to contact an alternate set of targets. Unlike a proxy which forwards the request to the alternate set of targets, the redirect response tells the UAC to directly contact the alternate targets.
- A SIP registrar is a server that accepts REGISTER requests and places the information it receives in those requests into the location service for the domain it handles. Proxies and redirect servers can use the information from the location service to determine the location of the targeted user. A redirect server and a registrar are each a special type of UA because they act as the UAS for the requests they process.

#### Basic Service Models

The Oracle® Enterprise Session Border Controller operates as a back-to-back user agent (B2BUA) within the following two basic service models:

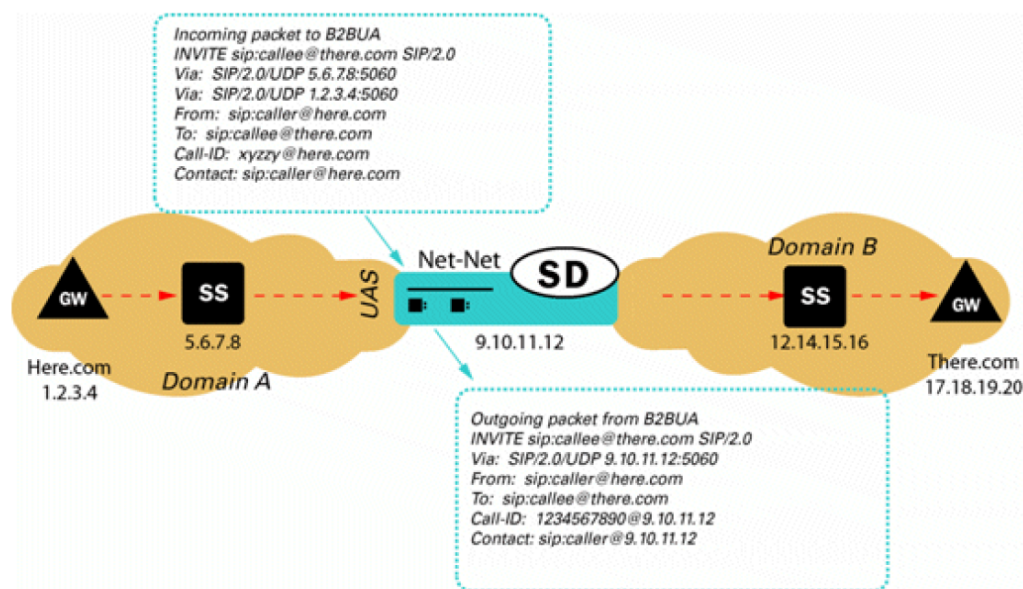
- peering
- hosted IP services

## About B2BUA

A B2BUA is a logical entity that receives a request and processes it as a user agent server (UAS). In order to determine how the request should be answered, it acts as a user agent client (UAC) and generates requests. It maintains dialog state and must participate in all requests sent on the dialogs it has established.

## SIP B2BUA Peering

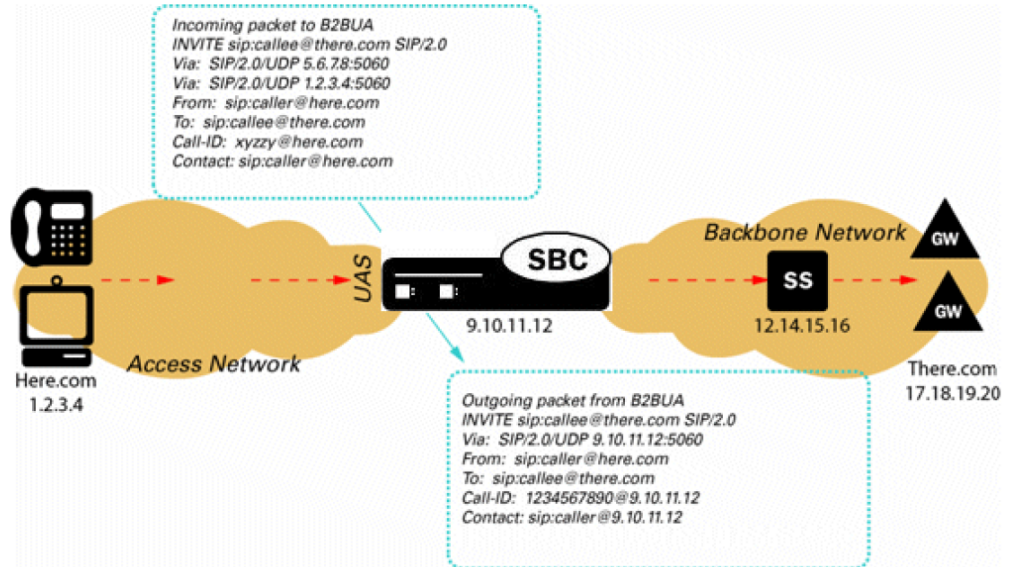
The Oracle® Enterprise Session Border Controller operates as a SIP B2BUA. It terminates SIP sessions and re-originates them as new sessions as they are routed through the Oracle® Enterprise Session Border Controller. For each session, it establishes NATP translations and re-writes SDP to allow all session related media to be routed through the Oracle® Enterprise Session Border Controller. It generates new call IDs and modifies SIP headers to prevent any protected SIP addresses and route information from being transmitted to external peers. The Oracle® Enterprise Session Border Controller supports multiple SIP interfaces that are associated with a set of media ports, thus appearing as multiple virtual SIP gateways.



## B2BUA Hosted IP Services

The Oracle® Enterprise Session Border Controller acts as an outbound proxy for SIP endpoints and performs the operations required to allow UAs behind NATs to initiate and terminate SIP sessions (Hosted NAT Traversal).

The Oracle® Enterprise Session Border Controller caches registration requests from SIP endpoints and forwards them to the appropriate softswitch or registrar in its backbone network. All subsequent signaling between the endpoint and the backbone network is through the Oracle® Enterprise Session Border Controller. Also, all calling features such as caller ID, call waiting, three-way calling, and call transfer are all supported transparently through the Oracle® Enterprise Session Border Controller.



## SIP B2BUA and L3 L5 NAT

For each SIP session, the Oracle® Enterprise Session Border Controller establishes NAT translations and re-writes SDP to route all session related media through the Oracle® Enterprise Session Border Controller. These actions make the Oracle® Enterprise Session Border Controller look like a SIP gateway. Also, the Oracle® Enterprise Session Border Controller support of multiple SIP interfaces associated with different network interfaces makes it appear as multiple virtual SIP gateways.

This functionality enables the Oracle® Enterprise Session Border Controller to deliver VoIP services to multiple end users, across a VPN backbone.

## About SIP Interfaces

The SIP interface defines the transport addresses (IP address and port) upon which the Oracle® Enterprise Session Border Controller receives and sends SIP messages. You can define a SIP interface for each network or realm to which the Oracle® Enterprise Session Border Controller is connected. SIP interfaces support both UDP and TCP transport, as well as multiple SIP ports (transport addresses). The SIP interface's SIP NAT function lets Hosted NAT Traversal (HNT) be used in any realm.

## SIP INVITE Message Processing

When the session agent element on the softswitch side of the message flow (ingress session agent) has the gateway contact parameter configured as an option, the Oracle® Enterprise Session Border Controller looks for the URI parameter (as defined by the gateway contact parameter) in the Request-URI and decodes the gateway address.

## Example

The following example shows a SIP INVITE message from a softswitch to a Oracle® Enterprise Session Border Controller.

```
INVITE sip:05030205555@ss-side-ext-address;gateway=encoded-gw-address
From: "Anonymous"<sip:anonymous@anonymous.invalid>;tag=xxxx
To: <sip:05030205555@ss-side-ext-address;user=phone>
```

The following example shows a SIP INVITE message from a Oracle® Enterprise Session Border Controller to a gateway.

```
INVITE sip:05030205555@gw-ip-address SIP/2.0
From: "Anonymous"<sip:anonymous@anonymous.invalid>;tag=SDxxxx-xxxx
To: <sip:05030205555@ hostpart;user=phone>
```

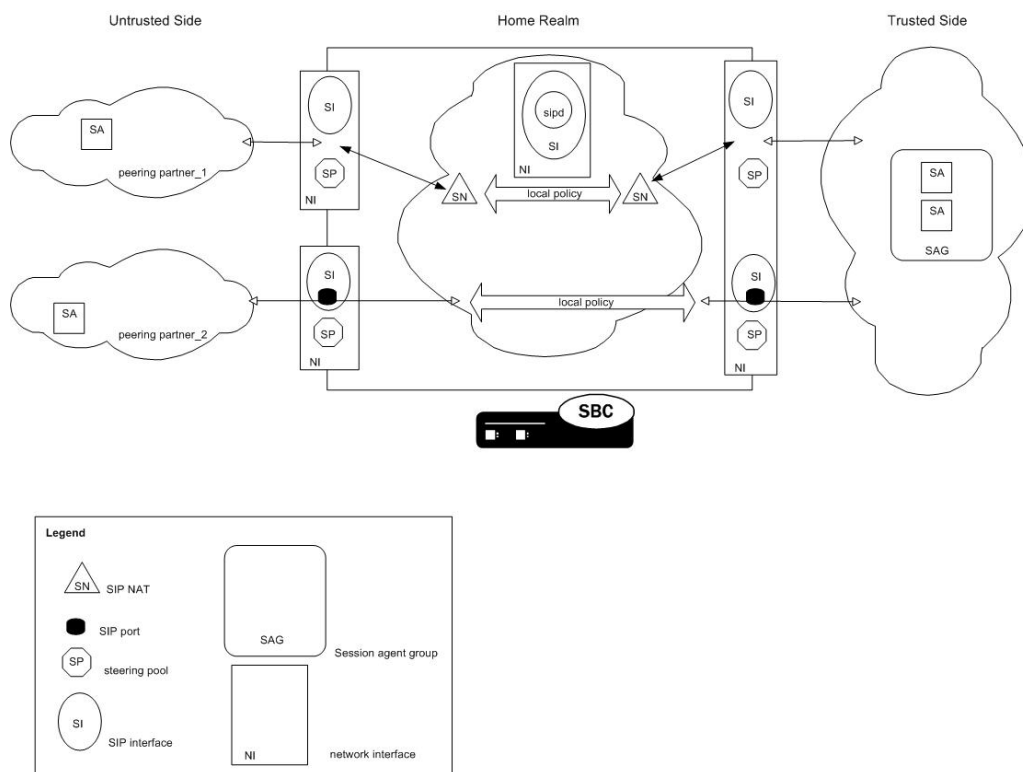
The Oracle® Enterprise Session Border Controller converts the hostpart in the To header except in the following scenarios:

- when the original hostpart value received is an Fully Qualified Domain Name (FQDN)
- when the Oracle® Enterprise Session Border Controller is configured not to NAT the To headers.

Acme Packet recommends configuring the Oracle® Enterprise Session Border Controller to NAT the To headers to ensure the security of protected addresses. Otherwise, the outgoing hostpart is set to the SIP NAT's external proxy address for the SIP NAT's external realm.

## Configuring the Oracle® Enterprise Session Border Controller for SIP Signaling

This section contains a diagram of a B2BUA peering environment that illustrates the Oracle® Enterprise Session Border Controller components you need to configure.



## Home Realm

This section explains how to configure a home realm. The home realm applies only to a SIP configuration. It represents the internal default realm or network for the Oracle® Enterprise Session Border Controller and is where the Oracle® Enterprise Session Border Controller's SIP proxy is located.

## Overview

You primarily use a home realm when using the SIP NAT function to connect multiple realms/networks to the Oracle® Enterprise Session Border Controller. You define the home realm defined as either public or private for the purposes of using the SIP NAT function. If the home realm is public, all external realms are considered private. If the home realm is private, all external networks are considered public. Usually the home realm is public.

Messages are encoded (for example, the topology is hidden) when they pass from a private to a public realm. Messages are decoded when they pass from a public realm to a private realm.

These external realms/networks might have overlapping address spaces. Because SIP messages contain IP addresses, but no layer 2 identification (such as a VLAN tag), the SIP proxy must use a single global address space to prevent confusing duplicate IP addresses in SIP URIs from different realms.



## SIP NAT Function

The SIP NAT function converts external addresses in SIP URIs to an internal home realm address. Usually the external address is encoded into a cookie that is added to the userinfo portion of the URI and the external address is replaced with a home realm address unique to the SIP NAT (the SIP NAT home address).

URIs are encoded when they pass from a private realm to a public realm. When an encoded URI passes back to the realm where it originated, it is decoded (the original userinfo and host address are restored). The encoding/decoding process prevents the confusion of duplicate addresses from overlapping private addresses. It can also be used to hide the private address when a SIP message is traversing a public network. Hiding the address occurs when it is a private address; or when the owner of the private network does not want the IP addresses of their equipment exposed on a public network or on other private networks to which the Oracle® Enterprise Session Border Controller connects.

## Home Realm's Purpose

A home realm is required because the home address for SIP NATs is used to create a unique encoding of SIP NAT cookies. You can define the home realm as a network internal to the Oracle® Enterprise Session Border Controller, which eliminates the need for an actual home network connected to the Oracle® Enterprise Session Border Controller. You can define this virtual home network if the supply of IP addresses is limited (because each SIP NAT requires a unique home address), or if all networks to which the Oracle® Enterprise Session Border Controller is connected must be private to hide addresses.

For example, you can define a public home realm using the loopback network (127.0.0.0) and using the home realm address prefix (for example, 127.0.0.0/8) for encoding addresses that do not match (all addresses outside 127.0.0.0/8) in SIP NAT cookies. The SIP NAT address prefix field can be used to accomplish this while keeping the ability to define an address prefix for the realm for ingress realm determination and admission control. By defining the SIP NAT address prefix as 0.0.0.0, the home realm address prefix is used to encode addresses that do not match.

## Home Realm Configuration

To configure the home realm:

1. In Superuser mode, type **configure terminal** and press Enter.

```
ORACLE# configure terminal
```

2. Type **session-router** and press Enter to access the system-level configuration elements.

```
ORACLE(configure)# session-router
```



3. Type **sip-config** and press Enter. The system prompt changes.

```
ORACLE(session-router)# sip-config
ORACLE(sip-config)#
```

From this point, you can configure SIP configuration parameters. To view all sip-config parameters, enter a **?** at the system prompt.

4. **home-realm-id**—Enter the name of the realm you want to use for the realm ID. For example, **acme**.

The name of the realm must correspond to the identifier value you entered when you configured the realm.

5. **egress-realm-id**—Optional. Enter the egress realm ID to define the default route for SIP requests addressed to destinations outside the home realm's address prefix.

If you enter a value for this optional field, it must correspond to the identifier value you entered when you configured the realm.

 **Note:**

You should leave this parameter blank for access/backbone applications. When left blank, the realm specified in the home-realm-id parameter is used by default.

6. **nat-mode**—Indicate the SIP NAT mode. The default is **none**. The valid values are:

- **public**—Indicates the subnet defined in the addr-prefix-id field of the home realm is public and the subnet defined in the addr-prefix-id field of all external realms identified in the SIP NAT are private networks. IPv4 addresses are encoded in SIP messages received from the external realm defined by the SIP NAT. The IPv4 addresses are decoded in messages that are sent to the realm.
- **private**—Indicates the subnet defined in the addr-prefix-id field of the home realm is private and the subnet defined in the addr-prefix-id field of all external realms identified in the SIP NAT are public networks. IPv4 addresses are encoded in SIP messages sent to the external realm defined by the SIP NAT and decoded in messages received from the realm.
- **none**—No SIP NAT function is necessary.

The following example shows the SIP home realm configured for a peering network.

```
sip-config
      state                               enabled
      operation-mode                       dialog
dialog-transparency                       disabled
      home-realm-id                         acme
      egress-realm-id
      nat-mode                               Public
      registrar-domain
      registrar-host
      registrar-port                         0
      init-timer                             500
```

max-timer	4000
trans-expire	32
invite-expire	180
inactive-dynamic-conn	32
red-sip-port	1988
red-max-trans	10000
red-sync-start-time	5000
red-sync-comp-time	1000
last-modified-date	2005-03-19 12:41:28

## SIP Interfaces

This section explains how to configure a SIP interface. The SIP interface defines the transport addresses (IP address and port) upon which the Oracle® Enterprise Session Border Controller receives and sends SIP messages.

### Overview

The SIP interface defines the signaling interface. You can define a SIP interface for each network or realm to which the Oracle® Enterprise Session Border Controller is connected. SIP interfaces support both UDP and TCP transport, as well as multiple SIP ports (transport addresses). The SIP interface also lets Hosted NAT Traversal (HNT) be used in any realm.

The SIP interface configuration process involves configuring the following features:

- address and transport protocols (SIP ports)
- redirect action
- proxy mode
- trust mode

### About SIP Ports

A SIP port defines the transport address and protocol the Oracle® Enterprise Session Border Controller will use for a SIP interface for the realm. A SIP interface will have one or more SIP ports to define the IP address and port upon which the Oracle® Enterprise Session Border Controller will send and receive messages. For TCP, it defines the address and port upon which the Oracle® Enterprise Session Border Controller will listen for inbound TCP connections for a specific realm.

You need to define at least one SIP port, on which the SIP proxy will listen for connections. If using both UDP and TCP, you must configure more than one port. For example, if a call is sent to the Oracle® Enterprise Session Border Controller using TCP, which it needs to send out as UDP, two SIP ports are needed.

### Preferred SIP Port

When a SIP interface contains multiple SIP ports of the same transport protocol, a preferred SIP port for each transport protocol is selected for outgoing requests when the specific SIP port cannot be determined. When forwarding a request that matched a cached registration entry (HNT or normal registration caching), the SIP port upon which the original REGISTER message arrived is used. Otherwise, the preferred SIP

port for the selected transport protocol is used. When selecting the preferred SIP port, the default SIP port of 5060 will be selected over other non-default ports.

For SIP interfaces using the SIP NAT function, the preferred SIP port address and port will take precedence over the external address of the SIP NAT when they do not match. If both TCP and UDP SIP ports are defined, the address and port of the preferred UDP port is used.

## Proxy Mode

The Oracle® Enterprise Session Border Controller's proxy mode determines whether it forwards requests received on the SIP interface to target(s) selected from local policy; or sends a send a redirect response to the previous hop. Sending the redirect response causes the previous hop to contact the targets directly.

If the source of the request matches a session agent with a proxy mode already defined, that mode overrides the proxy mode defined in the SIP interface.

You can configure the proxy mode to use the Record-Route option. Requests for stateless and transaction operation modes are forwarded with a Record-Route header that has the Oracle® Enterprise Session Border Controller's addresses added. As a result, all subsequent requests are routed through the Oracle® Enterprise Session Border Controller.

## Redirect Action

The redirect action is the action the SIP proxy takes when it receives a SIP Redirect (3xx) response on the SIP interface. If the target of the request is a session agent with redirect action defined, its redirect action overrides the SIP interface's.

You can set the Oracle® Enterprise Session Border Controller to perform a global redirect action in response to Redirect messages. Or you can retain the default behavior where the Oracle® Enterprise Session Border Controller sends SIP Redirect responses back to the previous hop (proxy back to the UAC) when the UAS is not a session agent.

The default behavior of the Oracle® Enterprise Session Border Controller is to recurse on SIP Redirect responses received from the user agent server (UAS) and send a new request to the Contact headers contained in the SIP Redirect response.

Instead of this default behavior, the Oracle® Enterprise Session Border Controller can proxy the SIP Redirect response back to the user agent client (UAC) using the value in the session agent's redirect action field (when the UAS is a session agent). If there are too many UASes to define as individual session agents or if the UASs are HNT endpoints, and SIP Redirect responses need to be proxied for UASs that are not session agents; you can set the default behavior at the SIP Interface level.

## SIP maddr Resolution

Release S-C6.2.0 provides enhanced resolution of addresses found in SIP contact headers, or in the maddr (multicast address) parameter of SIP 3xx REDIRECT messages. Previous releases resolved these addresses as either a host address or as a session agent name. With Release 6.2.0 these addresses can also be resolved as session agent group (SAG) names.

Support for SAG-based resolution is provided by a new **sip-config** parameter, **sag-lookup-on-redirect**. By default, SAG lookup is disabled, providing compatibility with prior releases.

The following sample SIP REDIRECT and ACLI configuration fragment illustrate enhanced processing.

```
Status-Line: SIP/2.0 302 Moved
Message Header
Via: SIP/2.0/UDP
192.168.200.224:5060;branch=z9hG4bKa0fs40009o90sc8oo780.1
From: <sip:1111@192.168.1.222:6000>;tag=1
To: sut <sip:2223@192.168.1.224:5060>;tag=11
Call-ID: 1-28515@192.168.1.222
CSeq: 1 INVITE
Contact: <sip:1111@192.168.1.223;maddr=test.acmepacket.com>
Privacy: user;id;critical;session
P-Preferred-Identity: sipp <sip:sipp@192.168.200.222:5060>
P-Asserted-Identity: abc.com
Subject: abc
Proxy-Require: privacy,prack,abc
Content-Length: 0

session-group
    group-name                test.acmepacket.com
    description
    state                      enabled
    app-protocol              SIP
    strategy                  Hunt
    dest
                                192.168.200.222
                                192.168.200.223
...
...
```

In this case, when the Oracle® Enterprise Session Border Controller receives the 302, it resolves the information from `maddr` to a SAG name. In the above example, it will resolve to the configured SAG – `test.acmepacket.com`. The destinations configured in SAG `test.acmepacket.com` will be used to route the call.

SAG-based address resolution is based on the following set of processing rules.

1. When the Contact URI does not have an `maddr` parameter, and the hostname is not an IP Address, the Oracle® Enterprise Session Border Controller will look for a SAG matching the hostname.
2. When the Contact URI has an `maddr` parameter that contains an IP address, the Oracle® Enterprise Session Border Controller will not look for a SAG; it will use the IP Address as the target/next-hop.
3. When the Contact URI has an `maddr` parameter that contains a non-IP-address value, the Oracle® Enterprise Session Border Controller will look for a SAG matching the `maddr` parameter value.

The above logic can be turned on by enabling `sag-lookup-on-redirect` in the `sip-config` object as shown below.

## SIP maddr Resolution Configuration

To configure the Oracle® Enterprise Session Border Controller to perform SAG-based maddr resolution:

1. From superuser mode, use the following command sequence to access sip-config configuration mode. While in this mode, you configure SAG-based address resolution.

```
ORACLE# configure terminal
ORACLE(configure)# session-router
ORACLE(session-router)# sip-config
ORACLE(sip-config)#
```

2. Use the **sag-lookup-on-redirect** parameter to enable SAG-based maddr resolution.
3. Use **done**, **exit**, and **verify-config** to complete SAG-based address resolution.

## Trust Mode

The Oracle® Enterprise Session Border Controller supports the Calling Identity privacy requirements based on RFC 3323 and RFC 3325. The trust mode in the SIP interface determines whether the source and destination of a request is a trusted entity. With the implementation of this feature, the Oracle® Enterprise Session Border Controller can understand and support the privacy headers and provide the capability for anonymous packets

The Oracle® Enterprise Session Border Controller, which acts as a boundary device between the trusted platform and the untrusted Internet, understands the following headers:

- Privacy Header
- P-Asserted-Identity Header
- P-Preferred-Identity Header

Depending on the value of these headers and the mode in which the Oracle® Enterprise Session Border Controller is being operated (B2BUA or the proxy), the appropriate actions are performed.

## About the Process

On receiving a message, the Oracle® Enterprise Session Border Controller checks whether the message source is trusted or not. It checks the SIP interface's trust mode value and, if the source is a session agent, the session agent's trust me value. Depending on these values, the Oracle® Enterprise Session Border Controller decides whether the request's or response's source is trusted. If it receives message from a trusted source and the message contains the P-Asserted-Identity header field, the Oracle® Enterprise Session Border Controller passes this message to the outgoing side. The outgoing side then decides what needs to be done with this request or response.

If the request or the response is received from an untrusted source, the Privacy header value is id (privacy is requested), and the P-Asserted-Identity header field is

included, the Oracle® Enterprise Session Border Controller strips the Privacy and the P-Asserted-Identity headers and passes the request or the response to the outgoing side.

If the request or the response contains the P-Preferred-Identity header and the message source is untrusted, the Oracle® Enterprise Session Border Controller strips the P-Preferred-Identity header from the request or the response and passes the message to the outgoing side.

If the source is trusted or privacy is not requested (the value of the Privacy Header is not id) and the request or the response contains the P-Preferred-Identity header, the Oracle® Enterprise Session Border Controller performs the following actions:

- inserts the P-Asserted-Identity header field with the value taken from the P-Preferred-Identity header field
- deletes the P-Preferred-Identity header value
- passes this request or the response to the Outgoing side for the appropriate action, depending on the whether the destination is trusted or not

After the Oracle® Enterprise Session Border Controller passes the request or the response to the outgoing side, it checks whether the destination is trusted by checking the SIP interface's trust mode value and the session agent's trust me value (if the destination is configured as session agent).

- The destination is trusted  
The Oracle® Enterprise Session Border Controller does nothing with the request or the response and passes it to the destination. If the P\_Asserted\_Identity headers are present, they are passed to the session agent (if the destination is configured as session agent).
- The destination is untrusted  
The Oracle® Enterprise Session Border Controller looks at the value of the Privacy header. If set to id, the Oracle® Enterprise Session Border Controller removes all the P-Asserted-Identity headers (if present). It strips the Proxy-Require header if it is set to privacy. The Oracle® Enterprise Session Border Controller also sets the From field of SIP header to Anonymous and strips the Privacy header.

If the Privacy header is set to none, the Oracle® Enterprise Session Border Controller does not remove the P-Asserted-Identity header fields.

If there is no Privacy header field, the SD will not remove the P-Asserted-Identity headers.

To implement this feature, you need to configure the session agent's trust me parameter to enabled (if the message source is a session agent) and the SIP interface's trust mode to the appropriate value.

## Call Duration Counters

The Oracle® Enterprise Session Border Controller maintains aggregate call duration in seconds for the current period, lifetime total and the lifetime-period-maximum. These counters are maintained for each session agent, realm, SIP Interface, and globally across the system. The call duration counter can count up to a 32 bit value, after which time it rolls over.

The call duration counters are displayed in the following show commands:

- show sipd agents
- show sipd realms
- show sipd interface
- show sipd status

### Call Duration Calculation

Call duration is calculated as the time between (t1) when the E-SBC receives the 200OK for the INVITE from terminating endpoint, and (t2) the time when E-SBC receives the final 200OK for the BYE message from terminating endpoint, regardless of whether media is released. If the **set-disconnect-time-on-by** parameter is enabled in the **sip-config**, then the call termination time (t2') is when the E-SBC receives the BYE message originally from the endpoint ending the call.

Figure 4-1 Call Duration Calculation Example - Ladder Diagram

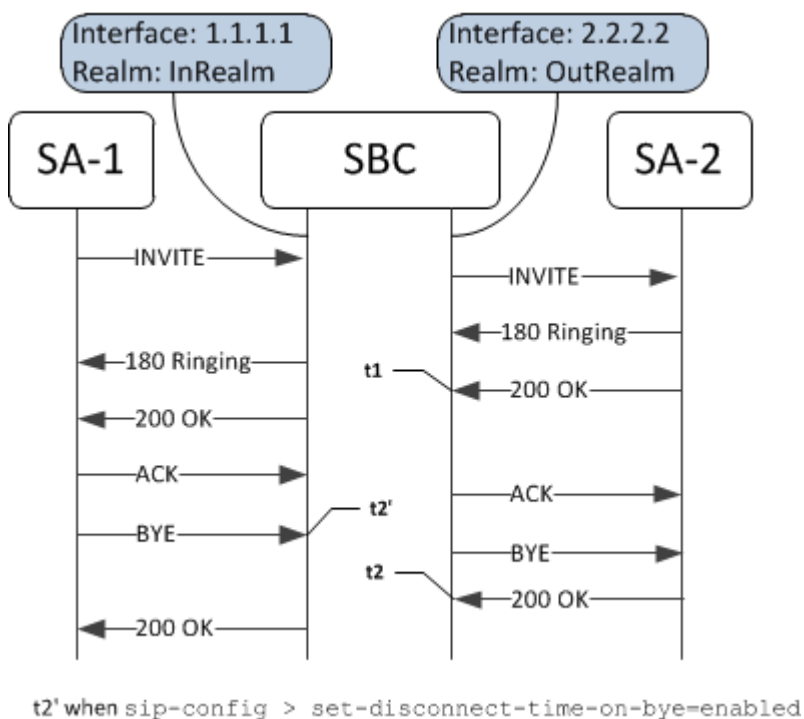


Table 4-1 Call Duration Calculation Example - Results

Element	Inbound Duration (sec)	Outbound Duration (sec)
Session Agent: SA-1	t2 - t1	0
Session Agent: SA-2	0	t2 - t1
Realm: InRealm	t2 - t1	0
Ream: OutRealm	0	t2 - t1
Interface: 1.1.1.1	t2 - t1	0
Interface: 2.2.2.2	0	t2 - t1

The global system call duration for the previous example is t2' - t1 seconds if the **set-disconnect-time-on-by** parameter is enabled.

## Configurable Timers and Counters

SIP timers and counters can be set in the global SIP configuration, and two can be specific for individual SIP interfaces.

You can set the expiration times for SIP messages, and you can set a counter that restricts the number of contacts that the Oracle® Enterprise Session Border Controller tries when it receives a REDIRECT. These are similar to two parameters in the global SIP configuration, `trans-expire` and `invite-expire`. You can also set a parameter that defines how many contacts/routes the Oracle® Enterprise Session Border Controller will attempt on redirect.

## Timer to Tear Down Long Duration Calls

The Oracle® Enterprise Session Border Controller currently provides the “flow-time-limit” timer to terminate long duration calls. However, this timer is reset whenever the Oracle® Enterprise Session Border Controller receives a Re-INVITE or UPDATE message, even when it is provided for the session timer. This feature adds a non-resettable timer that, when enabled and upon expiration, tears down long duration calls.

When the “flow-time-limit” timer for terminating long media flow expires, the Oracle® Enterprise Session Border Controller sends a SIP BYE or H323 Release Complete message to tear down the long call. However, this timer is reset whenever the SBC receives a Re-INVITE or UPDATE message. In most call scenarios, long duration calls are terminated with the expiration of this timer, but there are some cases where a call can stay connected for a longer duration. For example, if a user connects to an IVR service and does not hang up the phone receiver properly, there is no way for the network provider to free up the IVR resources if the user devices send session updating requests. To prevent this situation, this feature adds a new timer **session-max-life-limit**, which starts when the call or session is established and does not reset for any session update, keep-alive or SBC switchover. On expiry, the call is torn down if it's in established state.

The new timer **session-max-life-limit** can be provisioned in the following configuration elements, in order of precedence from highest to lowest: **session-agent**, **realm-config**, **sip-interface**, and **sip-config**. Its range of values is {0-2073600} seconds with an additional special case value of “Unlimited”, which is treated as the highest possible value. The default value is 0 (no timer).

### Difference between 0 and Unlimited

No timer is created when **session-max-life-limit** is configured to either the value 0 or “Unlimited”, so no timeout can occur. The difference between the two values is how they are handled when determining which value of **session-max-life-limit** to use when there are several specified within the various configuration elements. When a session is created the timer examines both the ingress side and the egress side and, in cases where both sides have a configured value for **session-max-life-limit**, uses the side with the lower (stricter) value. On each side, the SBC reviews the configuration elements relevant to the session and uses the value of **session-max-life-limit** from the configuration element with the highest precedence (**session-agent**, then **realm-config**, then **sip-interface**, and lastly **sip-config**). When the value is set to 0, the configuration element is ignored and the next configuration element in the precedence chain is looked at. A value between 1 and 2073600 (24 days) or the



value “Unlimited” is treated as a valid configured value. In this case the SBC will not move onto the next element in the precedence chain and the value is used in the final comparison between the egress and ingress values. The value “Unlimited” is viewed as the highest possible value, and therefore is considered greater than any other value it is compared against. The value 0 is skipped over and completely ignored.

For example, on the ingress side the value of **session-max-life-limit** in **realm-config** is set to 86400 and the value of **session-max-life-limit** in **session-agent** is set to “Unlimited”. The **session-agent** value has a higher precedence than the **realm-config** value so, therefore, the value “Unlimited” is used for the ingress side. On the egress side the value of **session-max-life-limit** in **realm-config** is set to 43200 and the value of **session-max-life-limit** in **session-agent** is set to 0 (no timer), so the value of **session-max-life-limit** in **realm-config** is used. When compared against the ingress side the value 43200 is less than “Unlimited”; therefore, the value set for the timer is 43200.

## Timer to Tear Down Long Duration Calls Configuration

Use the following procedure to configure, in the **session-agent**, **realm-config**, **sip-interface**, and **sip-config** configuration elements, a non-resettable timer that, when enabled and upon expiration, tears down long duration calls.

Although the timer occurs in four separate configuration elements, for brevity only the procedure for configuring **realm-config** is shown as the general procedure does not vary for the other configuration elements.

For the **realm-config** configuration element:

1. Access the **realm-config** configuration element.

```
ORACLE# configure terminal
ORACLE(configure)# media-manager
ORACLE(media-manager)# realm-config
ORACLE(realm-config)#
```

2. Select the **realm-config** object to edit.

```
ORACLE(realm-config)# select
identifier:
1: realm01 left-left:0 0.0.0.0

selection: 1
ORACLE(realm-config)#
```

3. **session-max-life-limit** — Enter the maximum interval in seconds before the SBC must terminate long duration calls. The value supercedes the value of **session-max-life-limit** in the **sip-interface** and **sip-config** configuration elements and is itself superceded by the value of **session-max-life-limit** in the **session-agent** configuration element. The default value is 0 (off/ignored).
4. Type **done** to save your configuration.

## SIP Interface Configuration

To configure a SIP interface:

1. In Superuser mode, type **configure terminal** and press Enter.

```
ORACLE# configure terminal
```

2. Type **session-router** and press Enter to access the system-level configuration elements.

```
ORACLE(configure)# session-router
```

3. Type **sip-interface** and press Enter. The system prompt changes to let you know that you can begin configuring individual parameters.

```
ORACLE(session-router)# sip-interface  
ORACLE(sip-interface)#
```

From this point, you can configure SIP interface parameters. To view all sip-interface parameters, enter a **?** at the system prompt.

4. **state**—Enable or disable the SIP interface. The default is **enabled**. The valid values are:

- enabled | disabled

5. **realm-id**—Enter the name of the realm to which the SIP interface is connected.

6. **sip-ports**—Access the **sip-ports** subelement.

7. **carriers**—Enter the list of carriers related to the SIP interface.

Entries in this field can be from 1 to 24 characters in length and can consist of any alphabetical character (Aa-Zz), numerical character (0-9), or punctuation mark (! "\$ % ^ & \* ( ) + - = < > ? ' | { } [ ] @ / \ ' ~ , . \_ : ; ) or any combination of alphabetical characters, numerical characters, or punctuation marks. For example, both 1-0288 and acme\_carrier are valid carrier field formats

8. **proxy-mode**—Enter an option for the proxy mode parameter. Valid values are:

- **proxy**—Forward all SIP requests to selected targets.
- **redirect**—Send a SIP 3xx redirect response with the selected target(s) in the Contact header.
- **record-route**—Forward requests to selected target(s) and insert a Record-Route header with the Oracle® Enterprise Session Border Controller's address. For stateless and transaction mode only.

9. **redirect-action**—Enter the value for the redirect action. Valid values are:

- **proxy**—Send the SIP request back to the previous hop.
- **recurse**—Recurse on the Contacts in the response.

The designated proxy action will apply to SIP 3xx responses received from non-session agents and to 3xx responses received from session agents without configured SIP Redirect message actions (for example, session agents without values for the redirect action field).

10. **contact-mode**—Set the Contact header routing mode, which determines how the contact address from a private network is formatted.

For example, whether a `maddr` parameter equal to the Oracle® Enterprise Session Border Controller's SIP proxy needs to be added to a URI present in a Contact header.

The default is **none**. The valid values are:

- **none**—The address portion of the header becomes the public address of that private realm.
- **maddr**—The address portion of the header will be set to the IP address of the Oracle® Enterprise Session Border Controller's B2BUA.
- **strict**—The contents of the Request-URI is destroyed when a Record-Route header is present.
- **loose**—The Record-Route header is included in a Request, which means the destination of the request is separated from the set of proxies that need to be visited along the way.

**11. nat-traversal**—Define the type of HNT enabled for SIP. The default is **none**. Valid values are:

- **none**—HNT function is disabled for SIP.
- **rport**—SIP HNT function only applies to endpoints that include the `rport` parameter in the Via header. HNT applies when the sent-by of the topmost VIA matches the Contact-URI host address, both of which must be different from the received Layer 3 address.
- **always**—SIP HNT applies to requests when the sent-by of the topmost VIA matches the Contact-URI host address, both of which must be different from the received Layer 3 address. (Even when the `rport` parameter is not present.)

**12. nat-interval**—Set the expiration time in seconds for the Oracle® Enterprise Session Border Controller's cached registration entry for an HNT endpoint. The default is **30**. The valid range is:

- Minimum—0
- Maximum—999999999

Oracle recommends setting the NAT interval to one-third of the NAT binding lifetime. A NAT binding lifetime is the network connection inactivity timeout. The value is configured (or hardwired) in the NAT device (firewall). This timer is used to cause the UA to send REGISTER messages frequently enough to retain the port binding in the NAT. Retaining the binding lets inbound requests to be sent through the NAT.

**13. tcp-nat-interval**—Set the registration cache expiration time in seconds to use for endpoints behind a NAT device that register using TCP. On upgrade, the Oracle® Enterprise Session Border Controller assigns this parameter the same value as the existing NAT interval. The default is **90**. The valid range is:

- Minimum—0
- Maximum—999999999

The Oracle® Enterprise Session Border Controller uses the value you set for the TCP NAT interval as the expiration value passed back in SIP REGISTER (200 OK) responses to endpoints behind a NAT that register over TCP. The NAT interval value with which you are familiar from previous releases is used for endpoints behind a NAT that register over UDP. Requiring endpoints that register over TCP to send refresh requests as frequently as those registering over UDP puts unnecessary load on the Oracle® Enterprise Session Border

Controller. By adding a separate configuration for the TCP NAT interval, the load is reduced.

For upgrade and backward compatibility with Oracle® Enterprise Session Border Controller releases prior to Release 4.1, when the `tcpNatInterval` is not present in the XML for a SIP interface configuration, the value of the NAT interval (`natInterval`) is used for the TCP NAT interval as well.

**14. registration-caching**—Enable for use with all UAs, not just those that are behind NATs. The default is **disabled**. The valid values are:

- enabled | disabled

If enabled, the Oracle® Enterprise Session Border Controller caches the Contact header in the UA's REGISTER request when it is addressed to one of the following:

- Oracle® Enterprise Session Border Controller
- registrar domain value
- registrar host value

The Oracle® Enterprise Session Border Controller then generates a Contact header with the Oracle® Enterprise Session Border Controller's address as the host part of the URI and sends the REGISTER to the destination defined by the registrar host value.

Whether or not SIP HNT functionality is enabled affects the value of the user part of the URI sent in the Contact header:

- HNT enabled: the Oracle® Enterprise Session Border Controller takes the user part of the URI in the From header of the request and appends a cookie to make the user unique. A cookie is information that the server stores on the client side of a client-server communication so that the information can be used in the future.
- HNT disabled: the user part of the Contact header is taken from the URI in the From header and no cookie is appended. This is the default behavior of the Oracle® Enterprise Session Border Controller.

When the registrar receives a request that matches the address-of-record (the To header in the REGISTER message), it sends the matching request to the Oracle® Enterprise Session Border Controller, which is the Contact address. Then, the Oracle® Enterprise Session Border Controller forwards the request to the Contact-URI it cached from the original REGISTER message.

**15. min-reg-expire**—Set the time in seconds for the SIP interface. The value you enter here sets the minimum registration expiration time in seconds for HNT registration caching. The default is **300**. The valid range is:

- Minimum—0
- Maximum—999999999

This value defines the minimum expiration value the Oracle® Enterprise Session Border Controller places in each REGISTER message it sends to the real registrar. In HNT, the Oracle® Enterprise Session Border Controller caches the registration after receiving a response from the real registrar and sets the expiration time to the NAT interval value.

Some UAs might change the registration expiration value they use in subsequent requests to the value specified in this field. This change

causes the Oracle® Enterprise Session Border Controller to send frequent registrations on to the real registrar.

- 16. registration-interval**—Set the Oracle® Enterprise Session Border Controller's cached registration entry interval for a non-HNT endpoint. Enter the expiration time in seconds that you want the Oracle® Enterprise Session Border Controller to use in the REGISTER response message sent back to the UA. The UA then refreshes its registration by sending another REGISTER message before that time expires. The default is **3600**. The valid range is:

- Minimum—0

A registration interval of zero causes the Oracle® Enterprise Session Border Controller to pass back the expiration time set by and returned in the registration response from the registrar.

- Maximum—999999999

If the expiration time you set is less than the expiration time set by and returned from the real registrar, the Oracle® Enterprise Session Border Controller responds to the refresh request directly rather than forwarding it to the registrar.

Although the registration interval applies to non-HNT registration cache entries, and the loosely related NAT interval applies to HNT registration cache entries, you can use the two in combination. Using a combination of the two means you can implement HNT and non-HNT architectures on the same Oracle® Enterprise Session Border Controller. You can then define a longer interval time in the registration interval field to reduce the network traffic and load caused by excess REGISTER messages because there is no NAT binding to maintain.

- 17. route-to-registrar**—Enable routing to the registrar to send all requests that match a cached registration to the destination defined for the registrar host; used when the Request-URI matches the registrar host value or the registrar domain value, not the Oracle® Enterprise Session Border Controller's address. Because the registrar host is the real registrar, it should send the requests back to the Oracle® Enterprise Session Border Controller with the Oracle® Enterprise Session Border Controller's address in the Request-URI. The default is **disabled**. The valid values are:

- enabled | disabled

For example, you should enable routing to the registrar if your network uses a N Oracle® Enterprise Session Border Controller and needs requests to go through its service proxy, which is defined in the registrar host field.

- 18. teluri-scheme**—Enable to convert SIP URIs to tel (resources identified by telephone numbers) URIs.

If enabled, the requests generated on this SIP interface by the Oracle® Enterprise Session Border Controller will have a tel URI scheme instead of the SIP URI scheme. Only the Request, From, and To URIs are changed to the tel scheme. After the dialog is established, the URIs are not changed. The default is **disabled**. The valid values are:

- enabled | disabled

- 19. uri-fqdn-domain**—Change the host part of the URIs to the FQDN value set here. If set to enabled, and used with an FQDN domain/host, the requests generated by the Oracle® Enterprise Session Border Controller on this SIP interface will have

the host part of the URI set to this FQDN value. Only the Request, To, and From URIs are changed. After the dialog is established, the URIs are not changed.

20. **trust-mode**—Set the trust mode for the SIP interface, which is checked by the Oracle® Enterprise Session Border Controller when it receives a message to determine whether the message source is trusted. The default is **all**. Available options are:
- **all**—Trust all SIP elements (sources and destinations) in the realm(s), except untrusted session agents. Untrusted session agents are those that have the **trust-me** parameter set to **disabled**.
  - **agents-only**—Trust only trusted session agents. Trusted session agents are those that have the **trust-me** parameter set to **enabled**.
  - **realm-prefix**—Trust only trusted session agents, and source and destination IP addresses that match the IP interface's realm (or subrealm) address prefix. Only realms with non-zero address prefixes are considered.
  - **registered**—Trust only trusted session agents and registered endpoints. Registered endpoints are those with an entry in the Oracle® Enterprise Session Border Controller's registration cache.
  - **none**—Trust nothing.
- Session agents must have one or more of the following:
- global realm
  - same realm as the SIP interface
  - realm that is a subrealm of the SIP interface's realm
21. **trans-expire**—Set the TTL expiration timer in seconds for SIP transactions. This timer controls the following timers specified in RFC 3261:
- Timer B—SIP INVITE transaction timeout
  - Timer F—non-INVITE transaction timeout
  - Timer H—Wait time for ACK receipt
  - Timer TEE—Used to transmit final responses before receiving an ACK
- The default is **0**. If you leave this parameter set to the default, then the Oracle® Enterprise Session Border Controller uses the timer value from the global SIP configuration. The valid range is:
- Minimum—0
  - Maximum—999999999
22. **invite-expire**—Set the TTL expiration timer in seconds for a SIP client/server transaction after receiving a provisional response.
- You set this timer for the client and the sever by configuring it on the SIP interface corresponding to the core or access side.
- The default is **0**. If you leave this parameter set to the default, then the Oracle® Enterprise Session Border Controller uses the timer value from the global SIP configuration. The valid range is:
- Minimum—0
  - Maximum—999999999

23. **max-redirect-contacts**—Set the maximum number of contacts or routes for the Oracle® Enterprise Session Border Controller to attempt in when it receives a SIP Redirect (3xx Response). The default is **0**. If you leave this parameter set to the default, then the Oracle® Enterprise Session Border Controller will exercise no restrictions on the number of contacts or routes. The valid range is:
  - Minimum—0
  - Maximum—10
24. **response-map**—Enter the name of the SIP response map configuration that you want to apply to this SIP interfaces for outgoing responses. This parameter is blank by default.
25. **local-response-map**—Enter the name of the SIP response map configuration that you want to apply to this SIP interfaces for locally-generated SIP responses. This parameter is blank by default.
26. **options**—Optional.

## Configuring SIP Ports

To configure SIP ports:

1. From sip-interface, type **sip-ports** and press Enter. The system prompt changes to let you know that you can begin configuring individual parameters.

```
ORACLE(sip-interface)# sip-ports
ORACLE(sip-port)#
```

2. **address**—Enter the IP address of the host associated with the sip-port entry on which to listen. For example:  
  
192.168.11.101
3. **port**—Enter the port number you want to use for this sip-port. The default is **5060**. The valid range is:
  - Minimum—1025
  - Maximum—65535
4. **transport-protocol**—Indicate the transport protocol you want to associate with the SIP port. The default is **UDP**. The valid values are:
  - **TCP**—Provides a reliable stream delivery and virtual connection service to applications through the use of sequenced acknowledgment with the retransmission of packets when necessary.
  - **UDP**—Provides a simple message service for transaction-oriented services. Each UDP header carries both a source port identifier and destination port identifier, allowing high-level protocols to target specific applications and services among hosts.
  - **TLS**—See the Security chapter for more information about configuring TLS.
5. **allow-anonymous**—Define the allow anonymous criteria for accepting and processing a SIP request from another SIP element.



The anonymous connection mode criteria includes admission control based on whether an endpoint has successfully registered. Requests from an existing SIP dialog are always accepted and processed. The default is **all**.

The following table lists the available options.

- **all**—All requests from any SIP element are allowed.
- **agents-only**—Only requests from configured session agents are allowed. The session agent must fit one of the following criteria:
  - Have a global realm.
  - Have the same realm as the SIP interface
  - Be a sub-realm of the SIP interface's realm.  
When an agent that is not configured on the system sends an INVITE to a SIP interface, the Oracle® Enterprise Session Border Controller:
    - Refuses the connection in the case of TCP.
    - Responds with a 403 Forbidden in the case of UDP.
- **realm-prefix**—The source IP address of the request must fall within the realm's address prefix or a SIP interface sub-realm. A sub-realm is a realm that falls within a realm-group tree. The sub-realm is a child (or grandchild, and so on) of the SIP interface realm.

Only realms with non-zero address prefixes are considered. Requests from session agents (as described in the **agents-only** option) are also allowed.

- **registered**—Only requests from user agents that have an entry in the registration cache (regular or HNT) are allowed; with the exception of a REGISTER request. A REGISTER request is allowed from any user agent.

The registration cache entry is only added if the REGISTER is successful. Requests from configured session agents (as described in the **agents-only** option) are also allowed.

- **register-prefix**—Only requests from user agents that have an entry in the Registration Cache (regular or HNT) are allowed; with the exception of a REGISTER request. A REGISTER request is allowed only when the source IP address of the request falls within the realm address-prefix or a SIP interface sub-realm. Only realms with non-zero address prefixes are considered.

The Registration Cache entry is only added if the REGISTER is successful. Requests from configured session agents (as described in the **agents-only** option) are also allowed.

## Mapping of Diversion Information Between Diversion and History-Info Headers

History-Info and Diversion are two headers commonly used in SIP signaling used to convey information related to call transfer and call diversion. The Oracle® Enterprise Session Border Controller (E-SBC) supports mapping and interworking between networks that support the History-Info versus the Diversion header. You implement this interworking on the E-SBC using the **diversion-info-mapping-mode** parameter on egress **sip-interface** configuration elements. This interworking, and the subsequent header behaviors comply with RFC 6044. When configured, the E-SBC monitors



signaling for the presence of History-info headers that comply with RFC 6044 and Diversion headers that comply with RFC 5806 to trigger the interworking.

The History-Info header is the standard solution adopted by the Internet Engineering Task Force (IETF) for storing re-targeting information. The non-standard Diversion header is also used in many existing network implementations. Individual networks typically use one or the other. As both headers address call forwarding needs but have different syntaxes, having both present in a signaling request can cause diverting information to be misinterpreted, thereby making an interworking solution necessary. In addition to using different syntaxes, these methods also use different reason codes for the diversions, different security flags, and list events using opposite chronology. The diversion header lists the last diversion first; the History-Info header lists the first diversion last.

You enable this interworking using the **diversion-info-mapping-mode** parameter on **sip-interface** elements. The E-SBC applies the configuration at the egress interface. You can configure the following header interworking modes:

- Diversion to History-Info,
- History-info to Diversion, or
- A combination of Diversion to History-Info interworking and a forced insertion of the History-info header if the INVITE contains neither.

When interworking from a History-Info header to a Diversion header for each, the E-SBC initializes the new Diversion header with the value of the History-Info header. The presence of re-direction headers and the absence of a to-tag in the **To** header of an initial INVITE triggers the E-SBC to perform the interworking.

 **Note:**

This feature supports only SIP-URIs in the diversion header. There is no supported conversion from TEL-URI to SIP-URI.

### History-Info to Diversion Header Interworking

When configured for this interworking, the E-SBC takes the following steps for all History-Info headers except the last in the incoming initial INVITE:

1. Create a new diversion header.
2. Extract the cause parameter from the subsequent History-Info header if any, and add a reason parameter to the Diversion header, using the following conversion table.

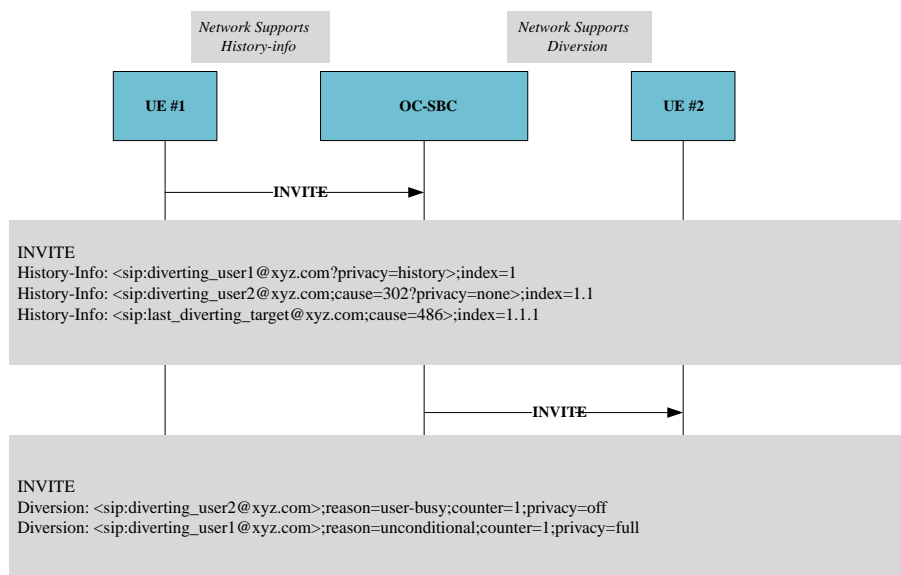
History-Info Cause	Diversion Reason
404	Unknown (default value)
302	unconditional
486	user-busy
408	no-answer
480	deflection
487	deflection
503	unavailable

3. If a cause is not present, use the default value **Unknown** for the reason parameter.
4. If the History-Info header contains a privacy parameter, add a Privacy parameter to the Diversion header, using the following conversion table.

History-Info Privacy	Diversion Privacy
history	full
Field absent or none	Off (default value)

5. If there is no privacy parameter, use the default value **Off** in the Diversion header.
6. Add a counter parameter with the value **1**.
7. Delete the History-Info header.

The diagram below provides an example flow and the header text used for this example.



In addition, the E-SBC removes any Diversion headers already present in the incoming initial INVITE before the steps above.

### Diversion to History-Info Header Interworking

When configured for this interworking, the E-SBC takes the following steps for all Diversion headers in the incoming initial INVITE:

1. Create a new History-Info header.
2. Add the **index** header parameter.
3. Set the value for the first header to **1**. Append **.1** to the value of the last\_index\_value for the subsequent headers.
4. If the Diversion header contains a privacy parameter, add the Privacy header parameter to the History-Info header using the following conversion table.

Diversion Privacy	History-Info Privacy
full	history

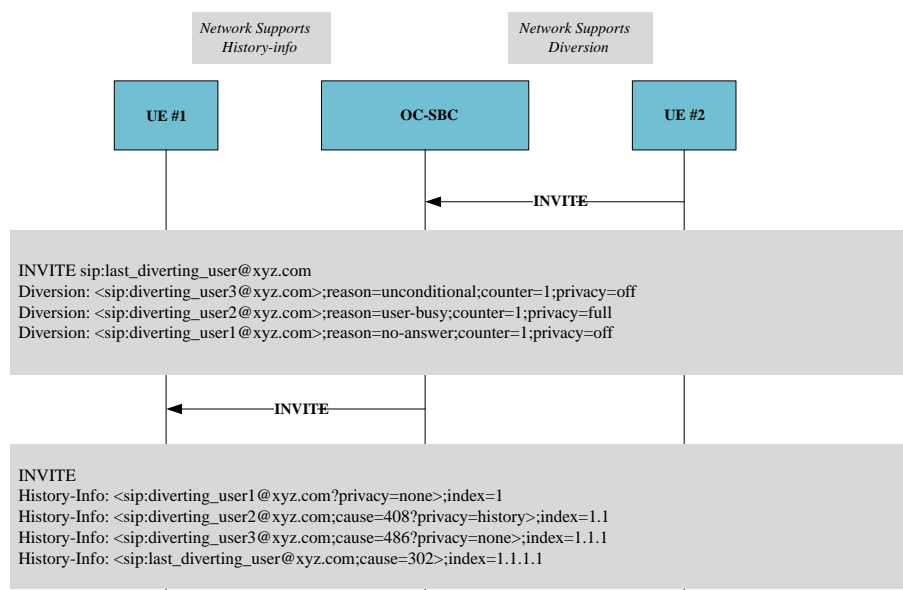
Diversion Privacy	History-Info Privacy
name	history
uri	history
off	none

5. If the previous Diversion header contains a reason parameter, add the **cause** header parameter to the History-Info header using the following conversion table. The E-SBC does not add a cause parameter to the first History-info entry.

Diversion Reason	History-Info Cause
unknown	404 (default value)
unconditional	302
user-busy	486
no-answer	408
deflection	480
unavailable	404
time-of-day	404
do-not-disturb	404
follow-me	404
out-of-service	404
away	404

6. If there is no reason parameter for any History-info headers, set the parameter to the default value of **404**.
7. Remove the diversion header from the outgoing INVITE.

The diagram below provides an example flow and the header text used for this example.



## Diversion and History-Info Headers Interworking Configuration

You can configure Oracle® Enterprise Session Border Controllers to map call transfer and call diversion information between Diversion and History-Info headers.

To configure interworking between the Diversion and History-Info headers:

1. Access the **sip-interface** configuration element.

```
ORACLE# configure terminal
ORACLE(configure)# session-router
ORACLE(session-router)# sip-interface
ORACLE(sip-interface)#
```

2. Select the **sip-interface** object to edit.

```
ORACLE(sip-interface)# select
<RealmID>:
1: realm01 172.172.30.31:5060

selection: 1
ORACLE(sip-interface)#
```

3. **diversion-info-mapping-mode**— Configure this parameter to specify how the Diversion and History-Info headers map to and work with each other on the interface. The default value is **none**.
  - **div2hist** — any Diversion headers in the initial INVITEs going out of this sip-interface will be converted to History-Info headers before sending
  - **force** — behavior is the same as **div2hist** when a Diversion header is present in the incoming INVITE. If there are no Diversion headers, a History-Info header for the current URI is added in the outgoing INVITE.
  - **hist2div** — any History-Info headers in the initial INVITEs going out of this sip-interface will be converted to Diversion headers before sending
  - **none** — no conversion applied (default)
4. Type **done** to save your configuration.

## Recurse 305 Only Redirect Action

The Oracle® Enterprise Session Border Controller has a SIP feature called redirect action. This is a feature that allows the Oracle® Enterprise Session Border Controller, acting as a SIP Proxy or a Session Agent, to redirect SIP messages after receiving a SIP redirect (3xx) response. Previously, for the ACLI objects of sip-interface and session-agent on the Oracle® Enterprise Session Border Controller, you could set the redirect-action parameter to **proxy** or **recurse**. In Release 6.3 you can additionally set a value of **recurse-305-only** for the redirect-action parameter.

## Redirect Action Process

When the redirect-action parameter is set to proxy, the Oracle® Enterprise Session Border Controller sends SIP Redirect responses back to the previous hop (back to

the User Agent Client (UAC)) when the User Agent Server (UAS) is not a session agent. The URI in the Contact of the response is changed from the URI that was in the original request.

 **Note:**

If the target of the request is a session agent, the session agent's redirect action supercedes that of the SIP interface.

When the `redirect-action` parameter is set to `recurse`, if the Oracle® Enterprise Session Border Controller receives a SIP redirect (3xx) response on the SIP interface, it automatically redirects all requests to the Contact URI specified in the 3xx response. The responses contain the same Contact URI that was in the original request sent to the UAS.

For example, if UAC X sends an INVITE to the Oracle® Enterprise Session Border Controller set up as a SIP proxy, the Oracle® Enterprise Session Border Controller forwards the INVITE to UAS Y (Y is not a session agent). Y then responds to the Oracle® Enterprise Session Border Controller with a 3xx response (redirection message) with the same URI that was in the original request. This indicates to the Oracle® Enterprise Session Border Controller that if it receives any future requests directed toward Y, that it should automatically redirect the request directly to Y. The Oracle® Enterprise Session Border Controller then recurses, or repeatedly sends subsequent incoming messages to the Contact URI specified in the Header of the 3xx responses.

When the `redirect-action` parameter is set to `recurse-305-only`, if the Oracle® Enterprise Session Border Controller receives a 305 SIP redirect response (Use Proxy) on the SIP interface, it automatically redirects all requests to the Contact URI specified in the 305 response. All other 3xx responses are sent back to the previous hop.

When the UAS is a session agent, the Oracle® Enterprise Session Border Controller can send the SIP redirect response back to the UAC using the value in the session agent's `redirect action` field. If there are too many UASs to define as individual session agents, or if the UASs are Hosted NAT Traversal (HNT) endpoints, and SIP redirect responses need to be proxied for UASs that are not session agents, you can set the behavior at the SIP interface level.

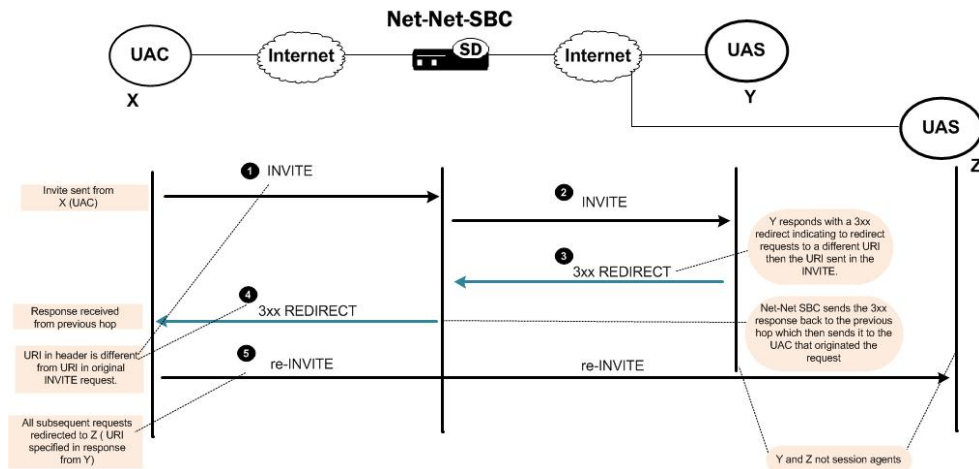
## Redirect-Action Set to Proxy

The following occurs if you set the **`redirect-action`** parameter to `proxy` on the Oracle® Enterprise Session Border Controller:

1. X (UAC) sends an INVITE to the Oracle® Enterprise Session Border Controller.
2. The Oracle® Enterprise Session Border Controller forwards the INVITE to Y (UAS).
3. Y sends the 3xx REDIRECT response to the Oracle® Enterprise Session Border Controller with a different URI in the message header.
4. The Oracle® Enterprise Session Border Controller forwards the 3xx REDIRECT response to the previous hop. X receives the 3xx REDIRECT response from the previous hop.

- X redirects all subsequent requests to the URI in the message header received from Y.

The following illustration shows an example of a dialog between X, Y, Z, and the Oracle® Enterprise Session Border Controller during a redirect-action session set to proxy.

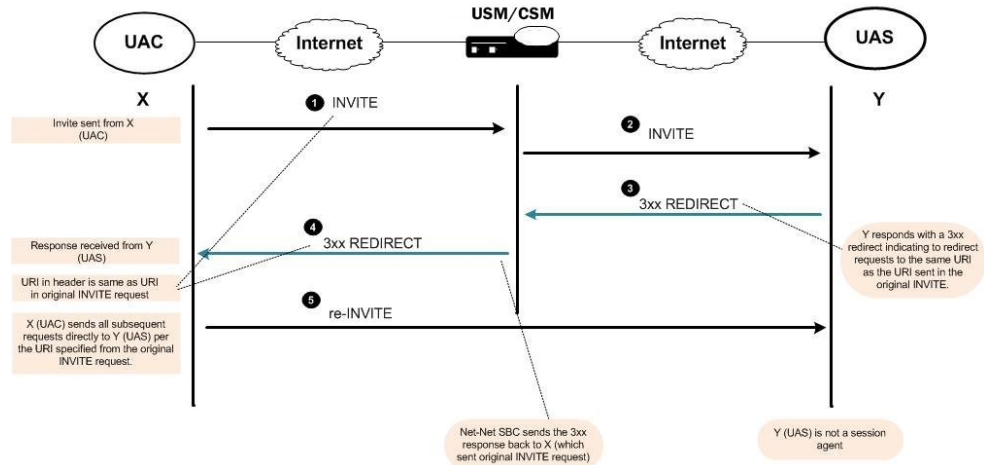


## Redirect-Action Set to Recurse

The following occurs if you set the **redirect-action** parameter to recurse on the Oracle® Enterprise Session Border Controller:

- X (UAC) sends an INVITE to the Oracle® Enterprise Session Border Controller.
- The Oracle® Enterprise Session Border Controller forwards the INVITE to Y (UAS).
- Y sends the 3xx REDIRECT response to the Oracle® Enterprise Session Border Controller with the same URI as the URI sent in the original request.
- The Oracle® Enterprise Session Border Controller forwards the 3xx REDIRECT response to X (UAC).
- X (UAC) sends all subsequent requests directly to Y (UAS) per the URI specified from the original INVITE request.

The following illustration shows an example of a dialog between X, Y, and the Oracle® Enterprise Session Border Controller during a redirect-action session set to recurse.

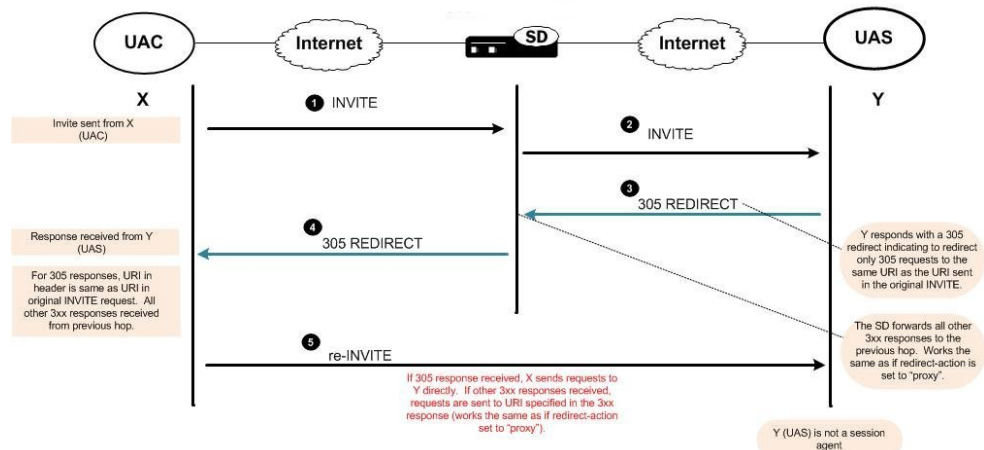


## Redirect-Action Set to Recurse-305-Only

The following occurs if you set the **redirect-action** parameter to **recurse-305-only** on the Oracle® Enterprise Session Border Controller:

1. X (UAC) sends an INVITE to the Oracle® Enterprise Session Border Controller.
2. The Oracle® Enterprise Session Border Controller forwards the INVITE to Y (UAS).
3. Y sends a 305 REDIRECT response to the Oracle® Enterprise Session Border Controller with the same URI as the URI sent in the original request.
4. The Oracle® Enterprise Session Border Controller forwards the 305 REDIRECT response to X (UAC).
5. If 305 response received, X sends requests to Y directly. If other 3xx responses received, requests are sent to URI specified in the 3xx response (works the same as if redirect-action set to proxy).

The following illustration shows an example of a dialog between X, Y, and the Oracle® Enterprise Session Border Controller during a redirect-action session set to recurse-305-only.



## Redirect Configuration for SIP Interface

You can configure the Oracle® Enterprise Session Border Controller to redirect requests from a UAC to a UAS using the URI in 305 responses only. You can use the ACLI at the paths **session-router**, **sip-interface** or **session-router, session-agent**.

To configure the redirect-action feature on the SIP interface on the Oracle® Enterprise Session Border Controller:

1. In Superuser mode, type **configure terminal** and press Enter.

```
ORACLE# configure terminal
```

2. Type **session-router** and press Enter to access the session router-related configurations.

```
ORACLE(configure)# session-router
```

3. Type **sip-interface** and press Enter to access the SIP interface-related configurations. The system prompt changes to let you know that you can begin configuring individual parameters for this object.

```
ORACLE(session-router)# sip-interface  
ORACLE(sip-interface)#
```

4. Enter **redirect-action** followed by the following value:

- recurse-305-only

```
ORACLE(sip-interface)# redirect-action recurse-305-only
```

When the Oracle® Enterprise Session Border Controller receives a 305 SIP redirect response (Use Proxy) on the SIP interface, it automatically redirects all requests to the Contact URI specified in the 305 response. All 3xx responses other than 305 responses are sent back to the previous hop.

To disable this feature, enter **redirect-action** and press Enter without entering a value.

```
ORACLE(sip-interface)# redirect-action
```

## Embedded Routes in Redirect Responses

When the Oracle® Enterprise Session Border Controller recurses as the result of a redirect (3xx) response, the server might need to specify one or more intermediate hops. These hops are reflected in the Contact header for the 3xx response using embedded route headers and look like this:

```
Contact: <sip:touser@server.example.com?  
Route=%3Cproxy.example.com%Blr%3E>
```



The Contact header shows that the request should be sent to server.example.com using proxy.example.com.

You can configure your Oracle® Enterprise Session Border Controller to specify that embedded headers in 3xx Contact headers are to be included in new requests such that they are tied to a session agent representing the new target (server.example.com). This behavior requires you to set the **request-uri-headers** parameter.

However, you can also use the **use-redirect-route** in global SIP configuration's options parameter so that the embedded Route header is used as the next hop to receive the new request.

When you configure this new option, the Oracle® Enterprise Session Border Controller constructs a new request using the redirect Contact, and the SIP URI from the Contact becomes the Request-URI. Then, the system inserts the embedded routes as Route headers in the, using the same order in which they appeared in the redirect Contact. Afterward, the Oracle® Enterprise Session Border Controller determines the next hop in the same way it does with any other request. If the first route is a loose route (i.e., it has the lr URI parameter), then the Oracle® Enterprise Session Border Controller sends a request to host indicated in the first route. Otherwise, strict routing applies, and the Oracle® Enterprise Session Border Controller sends the request to the host indicated in the Request-URI.

1. In Superuser mode, type `configure terminal` and press Enter.

```
ORACLE# configure terminal
```

2. Type `session-router` and press Enter.

```
ORACLE(configure)# session-router
ORACLE(session-router)#
```

3. Type `sip-config` and press Enter.

```
ORACLE(session-router)# sip-config
ORACLE(sip-config)#
```

If you are adding support for this feature to a pre-existing configuration, then you must select (using the ACLI **select** command) the configuration that you want to edit.

4. **options**—Set the options parameter by typing `options`, a Space, and then the option name.

```
ORACLE(sip-config)# options use-redirect-route
```

If you type the option without the plus sign, you will overwrite any previously configured options. In order to append the new options to this configuration's options list, you must prepend the new option with a plus sign as shown in the previous example.

5. Save and activate your configuration.

## SIP PRACK Interworking

When you configure your Oracle® Enterprise Session Border Controller with PRACK interworking for SIP, you enable it to interwork between endpoints that support RFC 3262, *Reliability of Provisional Responses in the Session Initiation Protocol*, and those that do not.

As its title indicates, RFC 3262 defines a reliable provisional response extension for SIP INVITEs, which is the 100rel extension tag. While some endpoints do not support the RFC, other SIP implementations require compliance with it. A session setup between two such endpoints fails. However, you can configure your Oracle® Enterprise Session Border Controller to supply the provisional response on behalf of endpoints that do not support it—and thereby enable sessions between those endpoints and the ones requiring RFC 3262 compliance.

You need to configure PRACK interworking for a SIP interface associated with the endpoints that need RFC 3262 support. To enable the feature, you set the **100rel-interworking** option. The Oracle® Enterprise Session Border Controller applies PRACK interworking for either the UAC or the UAS. The Oracle® Enterprise Session Border Controller checks to see whether or not it needs to apply PRACK interworking when an INVITE arrives at the ingress or egress SIP interface with the option enabled. First, it checks the Require header for the 100rel tag; if not found there, it checks the Supported header.

Since there is a slight difference in the application of this feature between the UAC and UAS, this section explains both.

### Note:

If SDP is included in a PRACK request sent to a SIP interface where PRACK interworking is enabled, it will not be responded to, nor will any SDP be included in the locally-generated 200 OK to that PRACK.

## UAC-Side PRACK Interworking

The Oracle® Enterprise Session Border Controller applies PRACK interworking on the UAC side when:

- An incoming SIP INVITE contains the 100rel tag in a Require header
- The ingress SIP interface is enabled with the **100rel-interworking** option
- The UAS fails to send reliable provisional responses

When it is to forward a non-reliable response to a UAC that requires RFC 3262 support, the Oracle® Enterprise Session Border Controller converts the non-reliable response to a reliable one by adding the 100rel tag to the Require header and adding an Rseq header to the response. Further, the Oracle® Enterprise Session Border Controller adds a Require header (complete with the 100rel tag) if there is not one already in the response, and then also adds Rseq header.

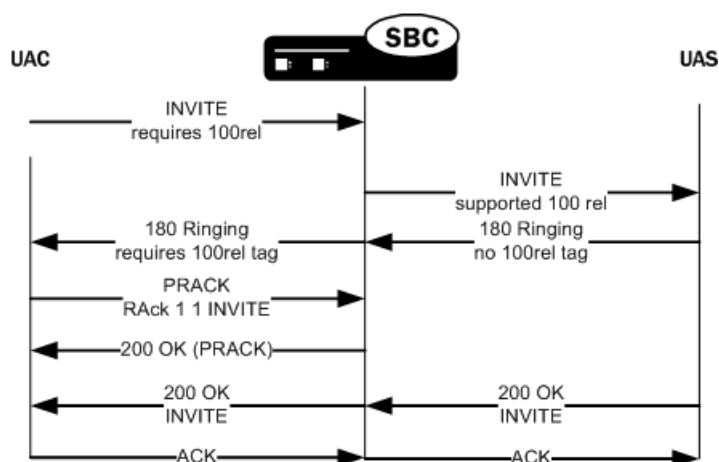
Note that the Oracle® Enterprise Session Border Controller sets the value of the Rseq header as 1 for the first provisional response, and then increments it by 1 for each

subsequent provisional response. It also adds the PRACK method to the Allow header when that header appears.

The Oracle® Enterprise Session Border Controller retransmits the converted reliable provisional response in accordance with RFC 3262, until it receives a PRACK request. For the initial timeout for retransmission, the Oracle® Enterprise Session Border Controller uses the value you set in the **init-timer** parameter in the global SIP configuration. It stops retransmitting when either it receives a transmission, or when the ingress SIP interface's trans-expire timer elapses.

If it never receives a PRACK, the Oracle® Enterprise Session Border Controller does not generate an error response to the INVITE, relying instead on the downstream UAS to produce a final response.

The call flow for this application looks like this:



## UAS-Side PRACK Interworking

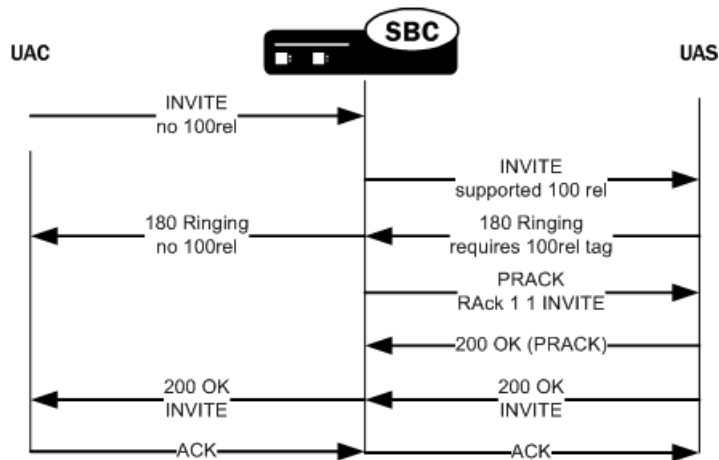
The Oracle® Enterprise Session Border Controller applies PRACK interworking on the UAS side when:

- An incoming SIP INVITE does not contain the 100rel tag in a Require or Supported header
- The egress SIP interface is enabled with the **100rel-interworking** option
- The UAS does send reliable provisional responses

When the UAC does not support RFC 3262, the Oracle® Enterprise Session Border Controller generates a PRACK request to acknowledge the response. It also converts the response to non-reliable by removing the 100 rel tag from the Require header and removing the RSeq header from the response.

In the case of the UAS, the Oracle® Enterprise Session Border Controller matches the PRACK to a converted reliable provisional response using the PRACK's RACK header. If it finds a matching response, the Oracle® Enterprise Session Border Controller generates a 200 OK to the PRACK. And if it finds no match, then it generates a 481 Call Leg/Transaction Does Not Exist response. The Oracle® Enterprise Session Border Controller generates a 400 Bad Request response if either the RACK is not in the PRACK request or it is not formatted properly.

The call flow for this application looks like this:



## PRACK Interworking Configuration

You enable PRACK interworking for ingress and egress SIP interfaces. Be sure you know on what side, ingress or egress, you need this feature applied.

To configure PRACK interworking for a SIP interface:

1. In Superuser mode, type **configure terminal** and press Enter.

```
ORACLE# configure terminal
ORACLE(configure)#
```

2. Type **session-router** and press Enter.

```
ORACLE(configure)# session-router
ORACLE(session-router)#
```

3. Type **sip-interface** and press Enter. If you are editing an existing configuration, select the one on which you want to enable this feature.

```
ORACLE(session-router)# sip-interface
ORACLE(sip-interface)#
```

4. **options**—Set the options parameter by typing **options**, a Space, the option name **100rel-interworking** with a plus sign in front of it, and then press Enter.

```
ORACLE(sip-interface)# options +100rel-interworking
```

**If you type options** and then the option value for either of these entries **without the plus sign, you will overwrite any previously configured options. In order to append the new option to this configuration's options list, you must prepend the new option with a plus sign as shown in the previous example.**

5. Save and activate your configuration.

## Global SIP Timers

This section explains how to configure SIP retransmission and expiration timers.

 **Note:**

you can also set timers and counters per SIP interface.

### Overview

SIP timers define the transaction expiration timers, retransmission intervals when UDP is used as a transport, and the lifetime of dynamic TCP connections. The retransmission and expiration timers correspond to the timers defined in RFC 3261.

- **init timer:** is the initial request retransmission interval. It corresponds to Timer T1 in RFC 3261.  
This timer is used when sending requests over UDP. If the response is not received within this interval, the request is retransmitted. The retransmission interval is doubled after each retransmission.
- **max timer:** is the maximum retransmission interval for non-INVITE requests. It corresponds to Timer T2 in RFC 3261.  
The retransmission interval is doubled after each retransmission. If the resulting retransmission interval exceeds the max timer, it is set to the max timer value.
- **trans expire:** is the transaction expiration timer. This value is used for timers B, D, F, H and J as defined in RFC 3261.
- **invite expire:** defines the transaction expiration time for an INVITE transaction after a provisional response has been received. This corresponds to timer C in RFC 3261.  
If a final response is not received within this time, the INVITE is cancelled. In accordance with RFC 3261, the timer is reset to the invite expire value when any additional provisional responses are received.
- **Inactive dynamic conn timer** defines the idle time of a dynamic TCP connection before the connection is torn down. Idle is defined as not transporting any traffic. There is no timer in RFC 3261 corresponding to this function.

### Timers Configuration

To configure timers:

1. In Superuser mode, type **configure terminal** and press Enter.

```
ORACLE# configure terminal
```

2. Type **session-router** and press Enter.

```
ORACLE(configure)# session-router
```

3. Type **sip-config** and press Enter. The system prompt changes to let you know that you can begin configuring individual parameters.

```
ORACLE(session-router)# sip-config
ORACLE(sip-config)#
```

4. **init-timer**—Enter the initial timeout value in milliseconds for a response to an INVITE request, and it applies to any SIP request in UDP. In RFC 3261, this value is also referred to as `TIMER_T1`. The default is **500**. The valid range is:

- Minimum—0
- Maximum—999999999

5. **max-timer**—Enter the maximum transmission timeout (T2) for SIP in milliseconds.

When sending SIP over UDP, a re-transmission timer is used. If the timer expires and the message is re-transmitted, the re-transmission timer is then set to twice the previous value (but will not exceed the maximum timer value). Using the default values of 500 milliseconds and 4000 milliseconds, the re-transmission timer is 0.5, then 1, 2, and finally 4. The incrementing continues until the transmission expire timer activates. The default is **4000**. The valid range is:

- Minimum—0
- Maximum—999999999

6. **trans-expire**—Enter the transaction expire timeout value (Timer B) in seconds to set the time for SIP transactions to live. The same value is used for Timers D, F, H and J. The default is **32**. The valid range is:

- Minimum—0
- Maximum—999999999

7. **invite-expire**—Enter the invite expire timeout value (Timer C) in seconds to indicate the time for SIP client transaction will live after receiving a provisional response. The default is **180**. The valid range is:

- Minimum—0
- Maximum—999999999

8. **inactive-dynamic-conn**—Enter the inactive dynamic connection value in seconds to set the time limit for inactive dynamic connections.

If the connection between the SIP proxy and a session agent is dynamic (for example, through dTCP), and the connection has been idle for the amount of time specified here, the SIP proxy breaks the connection. Idle is defined as not transporting any traffic. The default value is **32**. The valid range is:

- Minimum—0
- Maximum—999999999

 **Note:**

Setting this parameter to 0 disables this parameter.

The following example shows SIP config timer values for a peering network. Some parameters are omitted for brevity.

```
sip-config
  state                enabled
  operation-mode       dialog
dialog-transparency   disabled
home-realm-id         acme
  egress-realm-id
nat-mode              Public
registrar-domain
registrar-host
registrar-port        0
init-timer            500
max-timer              4000
trans-expire          32
invite-expire         180
inactive-dynamic-conn 32
```

## SIP Timers Discreet Configuration

Previous releases controlled various SIP timers with a single ACLI command, **trans-expire**, available in both sip-config and sip-interface modes. When executed in sip-config mode, the command essentially established a global default transaction expiration timer value. Executed at the sip-interface level, the command established a local, interface-specific value that overrode the global default.

Specific timers controlled by **trans-expire** are as follows:

Timer B, the INVITE transaction timeout timer, defined in Section 17.1.1.2 and Appendix A of RFC 3261, *SIP: Session Initiation Protocol*.

Timer D, the Wait-Time for response retransmits timer, defined in Section 17.1.1.2 and Appendix A of RFC 3261, *SIP: Session Initiation Protocol*.

Timer F, the non-INVITE transaction timeout timer, defined in Section 17.1.2.2 and Appendix A of RFC 3261, *SIP: Session Initiation Protocol*.

Timer H, the Wait-Time for ACK receipt timer, defined in Section 17.2.1 and Appendix A of RFC 3261, *SIP: Session Initiation Protocol*.

Timer J, the Wait-Time for non-INVITE requests timer, defined in Section 17.2.2 and Appendix A of RFC 3261, *SIP: Session Initiation Protocol*.

A new ACLI command (**initial-inv-trans-expire**) that enables user control over SIP Timer B for initial INVITE transactions. Other timers, namely B for non-initial INVITEs, D, F, H, and J remain under the control of **trans-expire**.

Use **initial-inv-trans-expire** in the sip-config configuration mode, to establish a global, default transaction timeout value (expressed in seconds) used exclusively for initial INVITE transactions.

```
ORACLE(sip-config)# initial-inv-trans-expire 4
ORACLE(sip-config)#
```

Allowable values are integers within the range 0 (the default) through 999999999. The default value, 0, indicates that a dedicated INVITE Timer B is not enabled. Non-default integer values enable a dedicated Timer B and set the timer value.

The default value retains compatibility with previous operational behavior in that Timers B, D, F, H, and J all remain subject to the single timer value set by **trans-expire**. However, when **initial-inv-trans-expire** is set to a supported non-zero value, SIP Timer B as it applies to initial INVITEs, assumes that value rather than the value assigned by **trans-expire**. This functionality is available in both sip-config and in sip-interface objects.

If a dedicated Timer B is enabled at the sip-config level, you can use **initial-inv-trans-expire** in the sip-interface configuration mode, to establish a local interface-specific Timer B timeout value that overrides the global default value.

```
ORACLE(sip-interface)# initial-inv-trans-expire 8  
ORACLE(sip-interface)#
```

## Session Timer Support

The Oracle® Enterprise Session Border Controller partially supports RFC4028 by establishing session timers without participating in the session timer negotiation.

When a 2xx response to a Session Refresh Request arrives, the Oracle® Enterprise Session Border Controller will start a new timer or refresh the existing timer using the value of the Session-Expires header. When the session timer expires, the Oracle® Enterprise Session Border Controller will send a BYE to both the upstream and downstream endpoints.

When accounting is configured, the Oracle® Enterprise Session Border Controller will also send a RADIUS STOP record with Acct-Terminate-Cause=Session-Timeout.

## Call Flow Example

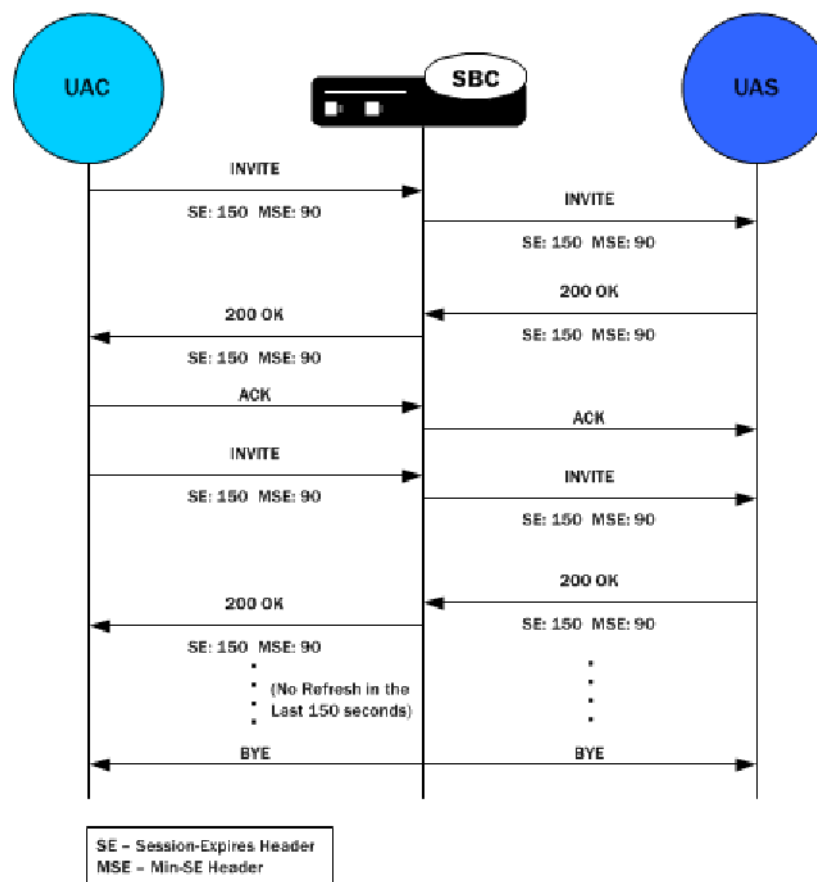
The UAS obtains the value from the Session-Expires header field in a 2xx response to a session refresh request that it sends.

Proxies and UACs obtain this value from the Session-Expires header field in a 2xx response to a session refresh request that they receive.

Once the session timer runs out, the Oracle® Enterprise Session Border Controller sends a BYE to both the UAC and the UAS to clear the session.

Enable this feature by adding the **session-timer-support** option to the sip config.





## SIP Per-User CAC

The Oracle® Enterprise Session Border Controller's call admission control (CAC) supports an enhanced degree of granularity for SIP sessions.

Without this feature enabled, the Oracle® Enterprise Session Border Controller performs call admission control (CAC) based on:

- Bandwidth limits configured in realms and nested realms
- Number of media flows available through the steering pool per realm
- Number of inbound sessions configured for a SIP session agent
- Number of total sessions (inbound and outbound) per SIP session agent
- Use of the Oracle® Enterprise Session Border Controller's support for common open policy service (COPS), allowing the Oracle® Enterprise Session Border Controller to perform CAC based on the policies hosted in an external policy server

These methods provide a basic level of call admission control in order to ensure that a SIP session agent's capacity is not exceeded. You can also ensure that signaling and media bandwidth capacities are not exceeded for physical trunks and peers.

With this feature enabled, the Oracle® Enterprise Session Border Controller changes behavior so that it will only allow the configured number of calls or total bandwidth to

and from each user in a particular realm. The overall realm bandwidth and steering pool limits still apply, and as before, the Oracle® Enterprise Session Border Controller still rejects users who might be within their CAC limitations if accepting them with exceed the bandwidth limitations for parent or child realms and steering pools.

For SIP sessions, the Oracle® Enterprise Session Border Controller now keeps track of the amount of bandwidth a user consumes and the number of active sessions per address of record (AoR) or per IP address, depending on the CAC mode you select (either aor or ip). When an endpoint registers with the Oracle® Enterprise Session Border Controller, the Oracle® Enterprise Session Border Controller allots it a total amount of bandwidth and total number of sessions.

This section describes the details of how SIP per user CAC works.

You should note that the functionality this section describes only works if you enable registration caching on your Oracle® Enterprise Session Border Controller.

For SIP sessions, the Oracle® Enterprise Session Border Controller now keeps track of the amount of bandwidth a user consumes and the number of active sessions per address of record (AoR) or per IP address, depending on the CAC mode you select (either aor or ip). When an endpoint registers with the Oracle® Enterprise Session Border Controller, the Oracle® Enterprise Session Border Controller allots it a total amount of bandwidth and total number of sessions.

## Per User CAC Modes

There are three modes that you can set for this feature, and each has an impact on how the other two per-user-CAC parameters are implemented:

- none—No per user CAC is performed for users in the realm.
- aor—The Oracle® Enterprise Session Border Controller performs per user CAC according to the AoR and the contact associated with that AoR for users in the realm.
- ip—The Oracle® Enterprise Session Border Controller performs per user CAC according to the IP address and all endpoints that are sending REGISTER messages from the IP address for users in the realm.

## Per User CAC Sessions

You can set the number of CAC for sessions per user in the realm configuration. Depending on the CAC mode you set, the sessions are shared between contacts for the same AoR or the endpoints behind the same IP address.

When it receives an INVITE, the Oracle® Enterprise Session Border Controller determines the registration entry for the calling endpoint and the registration for the called endpoint. It then decides if session can be established between the two. If it can, the Oracle® Enterprise Session Border Controller establishes the session and changes the active session count for the calling and called endpoints. The count is returned to its original value once the session is terminated.

## Per User CAC Bandwidth

You can set the per user CAC bandwidth in realm configuration, too, and it is handled much the same way that the sessions are handled. That is, depending on the CAC mode you set, the bandwidth is shared between contacts for the AoR or the endpoints

behind the same IP address. All endpoints must be registered with the Oracle® Enterprise Session Border Controller.

When it receives a Request with SDP, the Oracle® Enterprise Session Border Controller checks to see if there is enough bandwidth for the calling endpoint and for the called endpoint. The Oracle® Enterprise Session Border Controller assumes that the bandwidth usage is symmetric, and it uses the maximum bandwidth configured for the codec that it finds in the Request. In the event that there are multiple streams, the Oracle® Enterprise Session Border Controller determines the total bandwidth required for all of the streams. If the required bandwidth exceeds what is available for either endpoint, the Oracle® Enterprise Session Border Controller rejects the call (with a 503 error response). If the amount of available bandwidth is sufficient, then the used bandwidth value is increased for both the registered endpoints: calling and called. Any mid-session requests for changes in bandwidth, such as those caused by modifications in codec use, are handled the same way.

The Oracle® Enterprise Session Border Controller also keeps track of the bandwidth usage on a global level. When the call terminates, the bandwidth it was consuming is returned to the pool of available bandwidth.

## Notes on HA Nodes

This feature has been implemented so that a newly active system is able to perform SIP per user CAC. The standby Oracle® Enterprise Session Border Controller is updated with the appropriate parameters as part of the SIP session update.

## SIP per User CAC Configuration

Note that you must enable registration caching for this feature to work.

To configure SIP per user CAC:

1. In Superuser mode, type **configure terminal** and press Enter.

```
ORACLE# configure terminal
```

2. Type **media-manager** and press Enter.

```
ORACLE(configure)# media-manager  
ORACLE(media-manager)#
```

3. Type **realm-config** and press Enter. The system prompt changes to let you know that you can begin configuring individual parameters.

```
ORACLE(media-manager)# realm-config  
ORACLE(realm-config)#
```

4. Select the realm where you want to add SIP per user CAC.

```
ORACLE(realm-config)# select
```

5. **user-cac-mode**—Set this parameter to the per user CAC mode that you want to use. The default value is **none**. The valid values are:
  - **none**—No user CAC for users in this realm

- **aor**—User CAC per AOR
  - **ip**—User CAC per IP
6. **user-cac-sessions**—Enter the maximum number of sessions per user for dynamic flows to and from the user. The default is **0**. Leaving this parameter set to its means that there is unlimited sessions, meaning that the per user CAC feature is disabled in terms of the constraint on sessions. The valid range is:
    7. Minimum—0
    8. Maximum—999999999
  9. **user-cac-bandwidth**—Enter the maximum bandwidth per user for dynamic flows to and from the user. The default is **0** and leaving this parameter set to the default means that there is unlimited bandwidth, meaning that the per user CAC feature is disabled in terms of the constraint on bandwidth. The valid range is:
    - Minimum—0
    - Maximum—999999999

## SIP Per-Realm CAC

Building on the Oracle® Enterprise Session Border Controller's pre-existing call admission control methods, CAC can be performed based on how many minutes are being used by SIP or H.323 calls per-realm for a calendar month.

In the realm configuration, you can now set a value representing the maximum number of minutes to use for SIP and H.323 session using that realm. Although the value you configure is in minutes, the Oracle® Enterprise Session Border Controller performs CAC based on this value to the second. When you use this feature for configurations with nested realms, the parent realm will have the total minutes for all its child realms (i.e., at least the sum of minutes configured for the child realms).

The Oracle® Enterprise Session Border Controller calculates the number of minutes used when a call completes, and counts both call legs for a call that uses the same realm for ingress and egress. The total time attributed to a call is the amount of time between connection (SIP 200 OK) and disconnect (SIP BYE), regardless of whether media is released or not; there is no pause for calls being placed on hold.

If the number of minutes is exhausted, the Oracle® Enterprise Session Border Controller rejects calls with a SIP 503 Service Unavailable message (including additional information "monthly minutes exceeded"). In the event that the limit is reached mid-call, the Oracle® Enterprise Session Border Controller continues with the call that pushed the realm over its threshold but does not accept new calls. When the limit is exceeded, the Oracle® Enterprise Session Border Controller issues an alarm and sends out a trap including the name of the realm; a trap is also sent when the alarm condition clears.

### Note:

The Oracle® Enterprise Session Border Controller does not reject GETS/ NSEP calls based on monthly minutes CAC.

You can change the value for minutes-based CAC in a realm configuration at any time, though revising the value downward might cause limits to be reached. This value

resets to zero (0) at the beginning of every month, and is checkpointed across both system in an HA node. Because this data changes so rapidly, however, the value will not persist across and HA node if both systems undergo simultaneous failure or reboot.

You can use the ACLI **show monthly minutes <realm-id>** command (where **<realm-id>** is the realm identifier of the specific realm for which you want data) to see how many minutes are configured for a realm, how many of those are still available, and how many calls have been rejected due to exceeding the limit.

## SIP per Realm CAC Configuration

This section shows you how to configure minutes-based CAC for realms and how to display minutes-based CAC data for a specific realm.

### Enabling Realm-Based CAC

Note that setting the new monthly-minutes parameters to zero (0), or leaving it set to its default of 0, disables this feature.

To configure minutes-based CAC:

1. In Superuser mode, type **configure terminal** and press Enter.

```
ORACLE# configure terminal
ORACLE(configure)#
```

2. Type **media-manager** and press Enter.

```
ORACLE(configure)# media-manager
ORACLE(media-manager)#
```

3. Type **realm-config** and press Enter. The system prompt changes to let you know that you can begin configuring individual parameters.

```
ORACLE(media-manager)# realm-config
ORACLE(realm-config)#
```

4. Select the realm where you want to add SIP per user CAC.

```
ORACLE(realm-config)# select
```

5. **monthly-minutes**—Enter the number of minutes allowed during a calendar month in this realm for SIP and H.323 calls. By default, this parameter is set to zero (0), which disabled monthly minutes-based CAC. You can enter a value as high as 71582788.

6. Save and activate your configuration.

### Viewing Realm-Based CAC Data

Use the ACLI **show monthly-minutes** command to see the following information:

- How many minutes are configured for a realm
- How many of those are still available

- How many calls have been rejected due to exceeding the limit  
To view information about SIP per user CAC using the IP address mode:
- In either User or Superuser mode, type **show monthly-minutes <realm-id>**, a Space, and the IP address for which you want to view data. Then press Enter. The **<realm-id>** is the realm identifier for the realm identifier of the specific realm for which you want data

```
ORACLE# show monthly-minutes private_realm
```

## SIP Options Tag Handling

This section explains how to configure SIP options on a global or per-realm level and how to specify whether the feature treatment applies to traffic inbound to or outbound from a realm, or both.

SIP extensions that require specific behavior by UAs or proxies are identified by option tags. Option tags are unique identifiers used to designate new options (for example, extensions) in SIP. These option tags appear in the Require, Proxy-Require, and Supported headers of SIP messages.

Option tags are compatibility mechanisms for extensions and are used in header fields such as Require, Supported, Proxy-Require, and Unsupported in support of SIP.

The option tag itself is a string that is associated with a particular SIP option (i.e., an extension). It identifies this option to SIP endpoints.

## Overview

The SIP specification (RFC 3261) requires that the Oracle® Enterprise Session Border Controller B2BUA reject any request that contains a Require header with an option tag the Oracle® Enterprise Session Border Controller does not support. However, many of these extensions operate transparently through the Oracle® Enterprise Session Border Controller's B2BUA. You can configure how SIP defines the Oracle® Enterprise Session Border Controller's B2BUA treatment of specific option tags.

Also, there might be certain extensions that an endpoint indicates support for by including the option tag in a Supported header. If you do not want a given extension used in your network, you can configure SIP option tag handling to remove the undesired option tag from the Supported header. You can also specify how option tags in Proxy-Require headers are to be treated.

## Configuration Overview

You configure the SIP feature element to define option tag names and their treatment by the Oracle® Enterprise Session Border Controller when the option tag appears in a Supported header, a Require header, and a Proxy-Require header. If an option tag is encountered that is not configured as a SIP feature, the default treatments apply. You only need to configure option tag handling in the SIP feature element when non-default treatment is required.

You can specify whether a SIP feature should be applied to a specific realm or globally across realms. You can also specify the treatment for an option based on whether it appears in an inbound or outbound packet. Inbound packets are those that

are coming from a realm to the Oracle® Enterprise Session Border Controller and outbound packets are those which are going from the Oracle® Enterprise Session Border Controller to the realm.

The following tables lists the SIP option tag parameters you must configure.

Parameter	Description
name	SIP feature tag name
realm	Realm name with which the feature will be associated. To make the feature global, leave the field empty.
support mode inbound	Action for tag in Supported header in an inbound packet.
require mode inbound	Action for tag in Require header in an inbound packet
proxy require mode inbound	Action for tag in Proxy-Require header in an inbound packet
support mode outbound	Action for tag in Supported header in an outbound packet
require mode outbound	Action for tag in Require header in an outbound packet
proxy require mode outbound	Action for tag in Proxy-Require header in an outbound packet

## SIP Option Tag Handling Configuration

To configure SIP option tag handling:

1. In Superuser mode, type **configure terminal** and press Enter.

```
ORACLE# configure terminal
```

2. Type **session-router** and press Enter to access the system-level configuration elements.

```
ORACLE(configure)# session-router
```

3. Type **sip-feature** and press Enter. The system prompt changes to let you know that you can begin configuring individual parameters.

```
ORACLE(session-router)# sip-feature
ORACLE(sip-feature)#
```

From this point, you can configure SIP option tags parameters. To view all sip-feature parameters, enter a **?** at the system prompt.

4. **name**—Enter a name for the option tag that will appear in the Require, Supported, or Proxy-Require headers of inbound and outbound SIP messages.

You must enter a unique value.

### Note:

Valid option tags are registered with the IANA Protocol Number Assignment Services under Session Initiation Protocol Parameters. Because option tags are not registered until the SIP extension is published as a RFC, there might be implementations based on Internet-Drafts or proprietary implementations that use unregistered option tags.

5. **realm**—Enter the name of the realm with which this option tag will be associated. If you want to apply it globally across realms, leave this parameter blank.
6. **support-mode-inbound**—Optional. Indicate the support mode to define how the option tag is treated when encountered in an inbound SIP message's Supported header. The default value is **pass**. Valid values are:
  - **pass**—Indicates the B2BUA should include the tag in the corresponding outgoing message.
  - **strip**—Indicates the tag should not be included in the outgoing message. Use strip if you do not want the extension used.
7. **require-mode-inbound**—Optional. Indicate the require mode to define how the option tag is treated when it is encountered in an inbound SIP message's Require header. The default value is **reject**. The valid values are:
  - **pass**—Indicates the B2BUA should include the tag in the corresponding outgoing message.
  - **reject**—Indicates the B2BUA should reject the request with a 420 (Bad Extension) response. The option tag is included in an Unsupported header in the reject response.
8. **require-mode-outbound**—Optional. Indicate the require proxy mode to define how the option tag is treated when encountered in an incoming SIP message's Proxy-Require header. The default is reject. The valid values are:
  - **pass**—Indicates the B2BUA should include the tag in the corresponding outgoing message.
  - **reject**—Indicates the B2BUA should reject the request with a 420 (Bad Extension) response. The option tag is included in an Unsupported header in the reject response.
9. **support-mode-outbound**—Optional. Indicate the support mode to define how the option tag is treated when encountered in an outbound SIP message's Supported header. The default value is pass. Valid values are:
  - **pass**—Indicates the B2BUA should include the tag.
  - **strip**—Indicates the tag should not be included in the outgoing message. Use strip if you do not want the extension used.
10. **require-mode-outbound**—Optional. Indicate the require mode to define how the option tag is treated when it is encountered in an outbound SIP message's Require header. The default value is **reject**. Valid values are:
  - **pass**—Indicates the B2BUA should include the tag.
  - **reject**—Indicates the B2BUA should reject the request with a 420 (Bad Extension) response. The option tag is included in an Unsupported header in the reject response.
11. **require-mode-outbound**—Optional. Indicate the require proxy mode to define how the option tag is treated when encountered in an outgoing SIP message's Proxy-Require header. The default value is **reject**. The valid values are:
  - **pass**—Indicates the B2BUA should include the tag.
  - **reject**—Indicates the B2BUA should reject the request with a 420 (Bad Extension) response. The option tag is included in an Unsupported header in the reject response.



The following example shows SIP option tag handling configured for non-default treatment of option tags.

```

sip-feature
    name                               newfeature
    realm                               peer-1
    support-mode-inbound                Strip
    require-mode-inbound                Reject
    proxy-require-mode-inbound          Pass
    support-mode-outbound               Pass
    require-mode-outbound               Reject
    proxy-require-mode-outbound         Reject
    last-modified-date                  2004-12-08 03:55:05
  
```

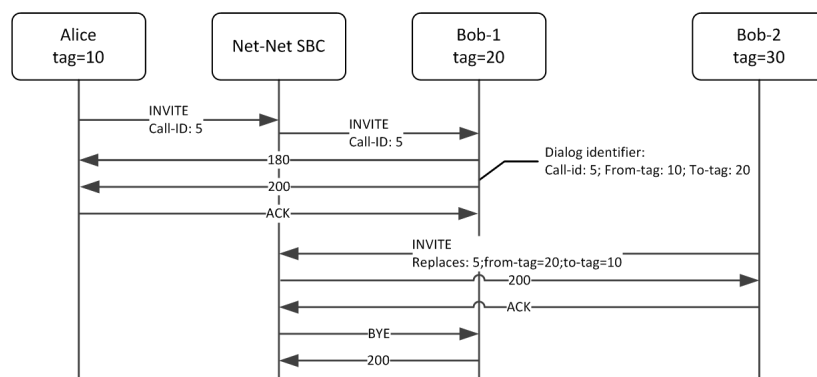
## Replaces Header Support

The Oracle® Enterprise Session Border Controller (E-SBC) supports the Replaces: header in SIP messages according to RFC 3891. The header, included within SIP INVITE messages, provides a mechanism to replace an existing early or established dialog with a different dialog. The different dialog can be used for services such as call parking, attended call transfer and various conferencing features.

The Replaces: header specifies the dialog to replace by containing the corresponding dialog identifier. The identifier includes the from tag, to tag, and call id. The orientation of endpoint-created tags, as from-tag and to-tag, matches each of the two dialogs for a standard call. For example, the Replaces: header from an endpoint that specifies assuming the dialog between the E-SBC and Bob-1 appears as follows:

```
Replaces:5555;from-tag=20;to-tag=10
```

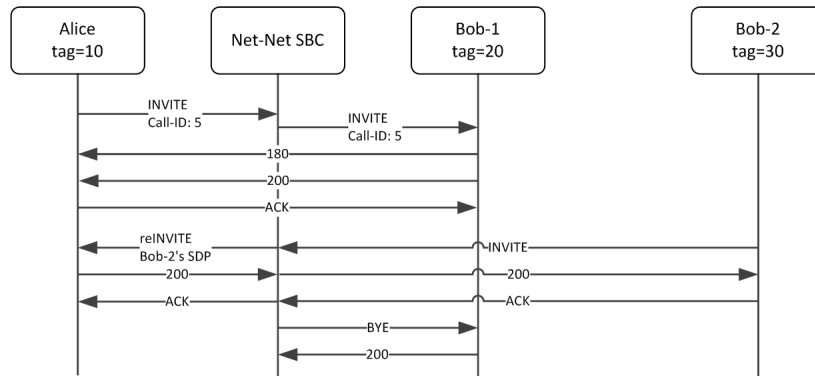
The E-SBC validates the dialog identifier by matching an existing dialog, tries to install the new endpoint, and tries to remove the old endpoint by gracefully ending that dialog with a BYE. The replaces INVITE must come from an endpoint in the same realm as the endpoint it is replacing. If the UA sending the Replaces header is in a different realm as the original call leg (or indicates such architecture from a malformed Replaces: header), the E-SBC replies to the Replaces: endpoint with a 481 Missing Dialog. Refer to the following diagram for the standard scenario.



Note that when the endpoints are in the same realm, you must enable the **mm-in-realm** parameter in realm-config or the E-SBC cannot generate the SDP for the 200 OK. Without the SDP, the call is unsuccessful.

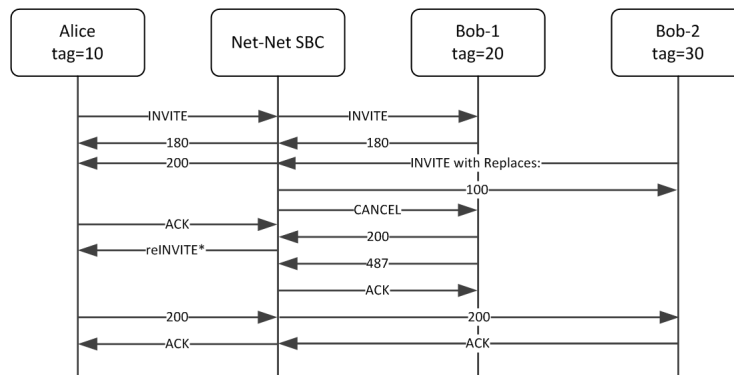
## New SDP Parameters in INVITE with Replaces

When an INVITE with Replaces: header is received, the media parameters in the new SDP are compared against the SDP of the dialog to be replaced. If any portion of the SDPs (excluding the session-origin line) is different, then the media must be renegotiated. The Oracle® Enterprise Session Border Controller sends a re-INVITE with the new SDP to the dialog opposite of the one being replaced as shown below. If the re-INVITE fails for any reason, then the original dialogs will remain.



## Early Dialog Replacement

An INVITE with Replaces: header can replace an early dialog. That is, a dialog where the final 2xx class response to INVITE request has not arrived yet. The Oracle® Enterprise Session Border Controller completes the originating side of the call with a 200 OK. The original dialog with the terminator is cancelled. SDP from the new terminator can be renegotiated if it changes.



The SDP from the original 183 response is used for the 200 response back to the originator if present to complete the early transaction. If reliable provisional messages are used, then no SDP is included in the 200 response.

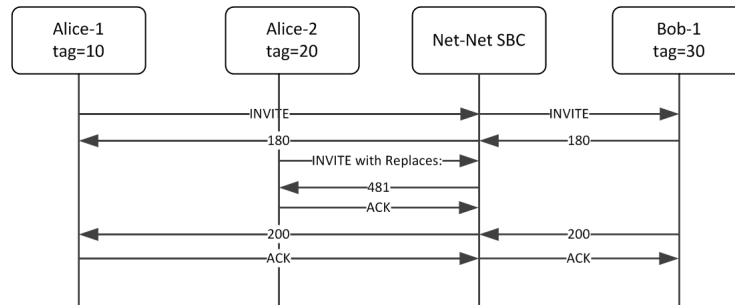
If no SDP is present in any of the provisional messages, then the Oracle® Enterprise Session Border Controller constructs it from the original offer and modifying the IP port

information for each c= and m= line with information from the INVITE with Replaces: header. If there are more m= lines in the original offer than ports from the INVITE with Replaces: header, then the extra ports are disabled with port value of 0. If no SDP was offered in the original INVITE, then the SDP from the INVITE with Replaces: header is used as the offer in the 200 OK.

If the SDP media parameters were compatible between the replaced and replacing SDPs, then media does not need to be renegotiated and no re-INVITE is created. If the re-INVITE fails, the original dialogs are torn down using a BYE for the original server dialog.

## INVITE with Replaces in Early Dialog Server Side

The Oracle® Enterprise Session Border Controller does not support replacing an early server dialog. It replies with a 481 (Dialog/Transaction does not exist) response to the endpoint requesting the replace.



## Replace Header Configuration

Replaces: header support is configured in the session-agent, realm, or sip-interface via the sip-profile configuration element. sip-profiles are defined once and attached to a chosen interface, realm or session-agent.

The replace-dialogs parameter is set to either **enabled** or **disabled**. In addition, you may set this parameter to **inherit** which uses the next lower order of precedence object. If there are no sip-profiles referenced in the higher ordered object, or if all the replace-dialogs parameters are set to **inherit**, then the feature is disabled.

To configure Replaces: header support:

1. In Superuser mode, type **configure terminal** and press Enter.

```
ORACLE# configure terminal
ORACLE(configure)#
```

2. Type **session-router** and press Enter.

```
ORACLE(configure)# session-router
ORACLE(session-router)#
```

3. Type **sip-profile** and press Enter. **If you are adding this feature to an existing configuration, then remember you must select the configuration you want to edit.**

```
ORACLE (session-router)# sip-profile
ORACLE(sip-profile)#
```

4. **replace-dialogs**—Set this parameter to **enabled** to enable Replaces: header support. A replaces parameter is also inserted in the Supported: header as sent into the realm where this sip profile is applied. You may also set this parameter to **inherit** for the element which this sip-profile is applied to, to inherit the value from the next-lower element.
5. Type **done** to save your work and continue.

## Debugging

### show sipd status

Includes Replaced Dialogs counts to show successfully replaced dialogs:

```
# show sipd status
17:41:38-142
SIP Status          -- Period -- ----- Lifetime -----
                   Active  High  Total      Total  PerMax  High
Replaced Dialogs   -      -      1          1      1
```

### show sipd errors

Includes Replace Dialog Fails to show failed dialog replacements. This counter is incremented only when the dialog replacement attempt actually occurred but failed to successfully complete.

```
# show sipd errors
17:58:04-181
SIP Errors/Events   ---- Lifetime ----
                   Recent    Total  PerMax
Replace Dialog Fails  0        0      0
```

## SIP Options

This section explains how you can configure a limited list of specialized SIP features and/or parameters called options. The options described here were developed to meet specific needs not addressed by the standard SIP configuration parameters. Not all users have a need for these options.



### Note:

Oracle recommends checking with your Oracle representative before applying any of these options.

## Overview

You can configure options for the SIP configuration and SIP interface. Both elements include a parameter (options) that you use to configure the options.

## Global SIP Options

The following table lists the SIP options supported by the Oracle® Enterprise Session Border Controller (E-SBC).

Option	Description
add-error-to-tag=no	If present (even when set to no), suppresses the addition of an Acme tag on 3xx-6xx responses.
add-prov-to-tag=no	Prevents the E-SBC from adding a tag parameter to the To header (to-tag) to non-100 provisional responses to INVITE requests. Used when a provisional (101-199) response is received from the UAS on a client transaction without a to-tag. By default, the E-SBC adds the tag cookie in the response (as though it had a tag) sent back to the UAC for the associated server transaction. When you include this option in the SIP configuration, and the response from the UAS does not have a to-tag, the response forwarded to the UAC will not have a to-tag.
add-reg-expires	Causes an Expires header to always be included in a REGISTER response with the registration caching and HNT traversal functions of the E-SBC. Use for endpoints that do not understand the Expires parameter in the Contact header.
add-ruri-user=<methods>	Causes a userinfo portion to be added to a Request-URI when one is not present. Used to support the OKI phone, which registers a Contact of just an IP-Address but rejects initial INVITEs if the Request_URI does not have a userinfo part. <methods> is a comma-separated list of methods to which the option should apply. If more than one method is listed, the list must be enclosed in quotes. This option only applies to out-of-dialog requests (no tag parameter in the To header). However, if ACK is listed, it will apply to all ACK requests because an ACK is always supposed to have a to-tag.
allow-notify-no-contact	Prevents the E-SBC from rejecting NOTIFYs with a 400 Bad Request response. NOTIFY requests without Contact header are allowed to pass through the E-SBC instead.
call-id-host=<host>	Causes the E-SBC to include a host part (ID@host) in the Call-ID it generated. <host> is the hostname (or IP address) that is to appear in the host part of the Call-ID. If not specified, the SIP port address is used.

Option	Description
contact-endpoint=<param-name>	<p>Defines a URL parameter to report the real Contact address of an endpoint in a REGISTER message forwarded to a registrar, when the E-SBC is caching registration. (plain or HNT).</p> <p>If &lt;param-name&gt; is not specified, the default value endpoint is used. This parameter is added as a URL parameter in the Contact on the REGISTER message.</p> <p>In order for the registration cache to work properly, the softswitch/registrar is expected to include the endpoint parameter in the Request-URI of a SIP request it forwards to the address-of-record.</p>
contact-firewall=<param-name>	<p>Defines a URL parameter to report the NAT between the E-SBC and the real Contact address of an endpoint in a REGISTRAR message forwarded to a registrar when the E-SBC is doing registration caching for NHT.</p> <p>If &lt;param-name&gt; is not specified, the default value firewall is used.</p> <p>This parameter will be added as a URL parameter in the Contact on the REGISTER message.</p> <p>In order for the registration cache to work properly, the softswitch/registrar is expected to include the endpoint parameter in the Request-URI of any SIP request it forwards for the address-of-record.</p>
disable-privacy	<p>Prevents the change of the P-Preferred-Identity to P-Asserted-Identity and lets the P-Preferred-Identity go through unchanged.</p>
drain-sendonly	<p>Causes the E-SBC to examine the SDP attributes and change sendonly mode to sendrecv. This causes the endpoint receiving the SDP to send RTP, which is required for HNT traversal endpoints to work with media servers. The E-SBC sets up the flow so that RTP coming from the endpoint are dropped to prevent the UA that sent the sendonly SDP from receiving packets. See the option video-sbc-session also.</p>
encode-contact=<prefix>	<p>Causes the E-SBC to encode Contact addresses into the userinfo part of the URI. It applies only to Contact address that usually get the maddr parameter. Use when the E-SBC needs requests sent to the URI in the Contact sent instead to the E-SBC. The host part of the URI will have the E-SBC's address.</p> <p>The &lt;prefix&gt; serves as a place between the original userinfo and the encoded address. If a &lt;prefix&gt; is specified, a default of +SD is used. Without this option, the E-SBC adds a maddr parameter.</p>
fix-to-header	<p>For requests that have the E-SBC address in both the Request-URI and the To-URI, it sets the hostport of the To-URI to a local policy's next hop target on out-of-dialog requests (no to-tag).</p> <p>This is the default IWF behavior, even without this option configured.</p>

Option	Description
forward-reg-callid-change	<p>Addresses the case when an endpoint reboots and performs a third party registration before its old registration expires. During this re-registration, the contact header is the same as it was pre-reregistration. As a consequence of the reboot, the SIP Call-ID changes.</p> <p>In this situation, the E-SBC does not forward the REGISTER to the registrar, because it believes the endpoint is already registered, based on a previous registration from the same Contact: header URI.</p> <p>To remedy this problem, the E-SBC now keeps track of the Call-ID in its registration cache. A new option in the SIP interface configuration element forces the E-SBC to forward a REGISTER message to the registrar when the Call-ID header changes in a REGISTER message received from a reregistering UAC.</p>
global-contact	<p>Addresses interoperability in the Dialog and Presence event packages that are used in hosted PBX and IP Centrex offerings. This option enables persistent URIs in the Contact headers inserted into outgoing SIP messages. If this option is not used, URIs placed in the Contact header of outgoing messages are only valid within the context of the dialog to which the message is associated.</p>
ignore-register-service-route-oos	<p>Prohibits a Register message from using a service route if that service route is an out-of-service session agent.</p>
load-limit=<cpu percentage>	<p>Defines the CPU usage percentage at which the E-SBC should start rejecting calls. Default value is 90%.</p>
lp-sa-match=<match strategy>	<p>Changes the ways local policies and session agents match; accounts for realm in matching process. Strategy choices are: all, realm, sub-realm, interface, and network.</p>
max-register-forward=<value>	<p>Defines a limit (as assigned in the value field) of REGISTER refreshes to be forwarded to the registrar.</p> <p>During each second, the sipd counts how many REGISTER refreshes have been sent to the registrar. It checks the threshold when it receives a REGISTER refresh from the UA and determines that less than half the real registration lifetime is left. If the number of REGISTER refreshes forwarded (new and updates) in the current second exceeds the configured threshold, it will respond to the UA from the cache.</p>
max-register-refresh=<value>	<p>Defines the desired limit of REGISTER refreshes from all the UAs. Each second of time, sipd counts the number of REGISTER/200-OK responses sent back. When the threshold is exceeded, it increments the expire time (based on NAT interval) by one second and resets the count. By default no threshold is applied. The recommended value is somewhat dependent on the E-SBC hardware used, but 300 can be used as an initial value.</p>

Option	Description
max-routes=<number of routes>	<p>Restricts the number of routes through which the sipd will iterate from a local policy lookup. For example, setting this option to 1 causes the E-SBC to only try the first, best, route. Setting this option to 0, or omitting it, lets the E-SBC use all of the routes available to it (with the priority scheme for route matching).</p> <p>When you test a policy using the test-policy ACLI command, this option is not recognized and all options that match the criteria are displayed.</p>
max-udp-length=<maximum length>	<p>Setting this option to zero (0) forces sipd to send fragmented UDP packets. Using this option, you override the default value of the maximum UDP datagram size (1500 bytes; sipd requires the use of SIP/TCP at 1300 bytes). You can set the global SIP configuration's max-udp-length=x option for global use in your SIP configuration, or you can override it on a per-interface basis by configuring this option in a SIP interface configuration.</p>
media-release=<header-name>[;<header-param>]	<p>Enables the multi-system media release feature that encodes IP address and port information for the media streams described by SDP. It lets another E-SBC decode the data to restore the original SDP, which allows the media to flow directly between endpoints in the same network (that is serviced by multiple E-SBCs).</p> <p>The media release information can appear in the following places:</p> <ul style="list-style-type: none"><li>• SIP header P-Media-Release: &lt;encoded-media-interface-information&gt;</li><li>• Header parameter on a SIP header Contact: &lt;sip:1234@abc.com&gt; ; acme-media=&lt;encoded-media-interface-information&gt;</li><li>• SDP attribute in the message body a=acme-media: &lt;encoded-media-interface-information&gt;</li></ul> <p>Option includes the following:</p> <ul style="list-style-type: none"><li>• &lt;header-name&gt; is SIP header in which to put the information or the special value sdp, which indicates the information should be put into the SDP.</li><li>• &lt;header-param&gt; is the header parameter name in which to put the information or in the case of the special header name value sdp, it is the SDP attribute name in which to put the information.</li></ul> <p>They identify to where the encoded information is passed. If you do not specify a header, P-Media-Release is used.</p>



Option	Description
no-contact-endpoint-port	<p>Enables the E-SBC to add a URL parameter (defined as an argument to the contact-endpoint option) to the Contact headers of REGISTER messages that it forwards to the registrar when it performs registration caching. The value of the contact-endpoint URL parameter is the real address of the endpoint; and if the endpoint is behind a NAT, this includes the IP address and a port number. However, not all network entities can parse that port number, which is included unconditionally. This feature allows you to configure the exclusion of the port number.</p> <p>Despite the fact that you set this parameter in the global SIP configuration, it is applied only to SIP interfaces. However, you can set a contact-endpoint option in the realm configuration, on which this new parameter has no effect.</p>
refer-to-uri-prefix=<prefix>	<p>Defines a prefix to be matched against the userinfo part of Contact headers (config=), of which the E-SBC should create a B2BUA map. This ensures that outgoing messages include the correct userinfo value. This option is used to enable add-on conferencing.</p> <ol style="list-style-type: none"> <li data-bbox="824 873 1422 930">1. On the E-SBC, set <b>refer-to-uri-prefix=&lt;string&gt;</b>, for example, <b>refer-to-uri-prefix="conf="</b>.</li> <li data-bbox="824 951 1446 1031">2. When the E-SBC receives either an INVITE or 200 OK, it stores the Contact:sip:conf=&lt;ID@IP:port&gt; contained in the SIP message.</li> <li data-bbox="824 1052 1438 1131">3. When the SBC receives a REFER in a separate call session, the config=&lt;ID&gt;@ IP2:port2 in this message is different.</li> <li data-bbox="824 1152 1430 1232">4. The E-SBC searches for the original conf=&lt;ID&gt; map, replaces the IP2:port2 with the stored IP:port, and forwards the updated REFER message.</li> </ol>
reg-cache-mode=<mode>	<p>Affects how the userinfo part of Contact address is constructed with registration caching. &lt;mode&gt; values are:</p> <ul style="list-style-type: none"> <li data-bbox="824 1320 1446 1377">• none: userinfo from the received (post NAT) Contact is retained</li> <li data-bbox="824 1398 1422 1436">• from: userinfo from the From header is copied to the userinfo of the forwarded Contact header</li> <li data-bbox="824 1457 1446 1556">• append: append the UA's Contact address into a cookie appended to the userinfo from the original Contact userinfo. For HNT, the NAT/firewall address is used.</li> <li data-bbox="824 1577 1446 1675">• append-from: takes userinfo from the From header and appends the encrypted address to the userinfo from the original Contact userinfo. For HNT, the NAT/firewall address is used.</li> </ul> <p>The from mode is used with softswitches that do not use the cookies used by the E-SBC. It also helps limit the number of bytes in the userinfo; which might create duplicate contacts. For example, if the E-SBC address is 1.2.3.4, both 1234@5.6.7.8 and 1234@4.3.2.1 will result in a E-SBC contact of 1234@5.6.7.8.</p>

Option	Description
reg-contact-user-random	<p>Support the SIP random registered-contact feature. Gives the E-SBC the ability to support endpoints that randomly change their contact usernames every time they re-register. Only applicable to operators who need to support the Japan TTC standard JJ-90.22 in specific applications. Applies to cases when an endpoint re-registers with a different contact username, but with the same hostname/IP address and the same address of record (AoR). Without this feature enabled, the E-SBC forwards every re-registration to the registrar with the new contact information without it being considered a registration refresh. The E-SBC forwards it to the Registrar using the same sd-contact as the previous registration.</p> <p>When you set this option, the E-SBC does treat such a re-registration as a registration refresh when it is received prior to the half-life time for the specific contact. The E-SBC also uses the new contact username for the Request-URI in requests it sends to the UA, and verifies that the UA uses the correct one when that E-SBC is set to allow-anonymous registered mode.</p> <p>NOTE: The registration cache mode is set using the option reg-cache-mode, but regardless of how you configure it, the registration cache mode will be set to contact when SIP random registered-contact feature is enabled.</p>
register-grace-timer	<p>Makes the grace time for the SIP Registration configurable. You can configure the grace timer in seconds.</p>
reinvite-trying=[yes   no]	<p>When set to "yes", the E-SBC sends a 100 Trying in response to Re-Invites. When set to "no", it does not. If you enter the option but omit the value, the option takes the value "yes".</p> <p>The default E-SBC behavior (the option not set) works differently on standalone and HA systems. For standalone, the default is to send the 100 Trying for Re-Invites. For HA, it does not.</p> <p>The difference between default behaviors is because of the timing involved with switching over. An active E-SBC can receive the re-INVITE before receiving a 200 OK. In that case, a new active E-SBC handles the re-INVITE properly after a switchover.</p> <p>But, if the E-SBC sends a 100 Trying before the switchover, the new active is not aware of the 200 OK transaction, and therefore discards the re-INVITE as a stray message.</p>
reject-interval=<value>	<p>Acts as a multiplier to increase the value presented to the UAC in the Retry-After field. For example, if reject-interval=5 (reject interval is set to 10); at a 90% rejection rate the E-SBC sends Retry-After: 45.</p> <p>When rejecting calls because of CPU load limiting, the E-SBC adds a Retry-After parameter to the error response (typically 503 Service Unavailable). By default the E-SBC sets the Retry-After value to be 1/10th of the current rejection rate.</p>
reject-register=[no   refresh]	<p>Allows REGISTER messages through even during load limiting. By default, REGISTER messages are subject to load limiting.</p>

Option	Description
response-for-not-found=<response code>	Change the 404 Not Found generated by the E-SBC to a different response code.
route-register-no-service-route	<p>Controls how a UA is registered. Option can have three values:</p> <ul style="list-style-type: none"> <li>• route-register-no-service-route—This option prevents the use of the Service-Route procedure to route the Re-Register requests after the UA has initially registered.</li> <li>• route-register-no-service-route=all—Prevents the use of the Service-Route procedure to route the Re-Register requests for all messages, after the UA has initially registered.</li> <li>• route-register-no-service-route=refresh—Prevents the use of the Service-Route procedure to route the Re-Register requests for all refresh-register messages, but not de-register messages, after the UA has initially registered.</li> </ul> <p>Addition idle argument ensures that, when enabled, the E-SBC follows the previously defined rules for idle calls, where idle means not engaged in any INVITE-based sessions.</p> <p>Sample syntax: route-register-no-service-route=refresh;idle</p>
sdp-insert-sendrecv	When a call is initiated, the SDP communicates between call offerer and call answerer to determine a route for the media. Devices can be configured to only send media (“a=sendonly”), to only receive media (“a=recvonly”), or to do both (“a=sendrecv”). Some devices, do not disclose this information. With this option configured, when either the offerer or answerer does not disclose its directional attribute, the E-SBC automatically inserts a sendrecv direction attribute to the media session.
set-inv-exp-at-100-resp	Set Timer C when a 100 Trying response is received (instead of waiting until 1xx (> 100) is received). If the E-SBC does not receive a 100 Trying response within Timer B, the call should be dropped because there is a problem communicating with the next hop.
strip-domain-suffix-route	Causes sipd to strip any Router headers from the inbound messages coming to the external address of a SIP NAT; if the message contains a FQDN that matches the configured domain suffix for that SIP NAT.
video-sbc-session	<p>Use with drain-sendonly for conference floor support. When configured with drain-sendonly and when the E-SBC receives an SDP, the E-SBC proxies the m=control and its related a= and c= unchanged. Although media streams are allocated for this m line, an actual flow is not set up. SDP received with the following:</p> <pre>m=video a=sendonly</pre> <p>is sent out as the following:</p> <pre>m=video a=sendonly a=X-SBC-Session</pre>

Option	Description
session-timer-support	This option enables the E-SBC to start the session timer for session refreshes coming from the UAC. The E-SBC determines whether or not a session is active based on session refreshes or responses. It terminates the session when no session refreshes occur within the session timer interval.
session-timer-support	Enables RFC4028 session timer support.
inmanip-before-validate	Enables SIP Header Pre-processing for HMR.
process-implicit-tel-URI	Correctly appends coodie in REGISTER message when user=phone does not exist.
offerless-bw-media	Reserves appropriate bandwidth for an INVITE with no SDP.

## SIP Interface Options

The following table lists the SIP interface options supported by the Oracle® Enterprise Session Border Controller.

Option	Description
100rel-interworking	Enables RFC 3262, <i>Reliability of Provisional Responses in the Session Initiation Protocol</i> support.
contact-endpoint=<endpoint name>	The Oracle® Enterprise Session Border Controller inserts the endpoint IP address and port into the Contact headers as messages egress using that SIP interface. The inserted data is the same as the information received in the Request or Response being forwarded. If the endpoint name is not specified, the default value endpoint is used.
contact-firewall=<firewall name>	The Oracle® Enterprise Session Border Controller inserts the firewall IP address and port into the Contact headers as messages egress using that SIP interface. The inserted data is the same as the information received in the Request or Response being forwarded. If the endpoint name is not specified, the default value firewall is used.
contact-vlan=<VLAN/realm name>	The Oracle® Enterprise Session Border Controller inserts the realm and VLAN ID into the Contact headers as messages egress using that SIP interface. The inserted data is the same as the information received in the Request or Response being forwarded. If the endpoint name is not specified, the default value vlan is used.

Option	Description
dropResponse	<p>The Oracle® Enterprise Session Border Controller drops responses by specified status codes. The option value can contain one or more status codes separated by colons. Response code ranges can also be entered. If any of the response codes matches, then a response is not sent. If the dropResponse option is set in both the sip-interface and the session-agent elements, the session-agent setting takes precedence.</p>
max-udp-length=<maximum length>	<p>Sets the largest UDP packets that the Oracle® Enterprise Session Border Controller will pass. Packets exceeding this length trigger the establishment of an outgoing TCP session to deliver the packet; this margin is defined in RFC 3261. The system default for the maximum UDP packet length is 1500.</p> <p>You can set the global SIP configuration's max-udp-length=x option for global use in your SIP configuration, or you can override it on a per-interface basis by configuring this option in a SIP interface configuration.</p>
response-for-not-found=<response code>	<p>Change the 404 Not Found generated by the SBC to a different response code.</p>
strip-route-headers	<p>Causes the Oracle® Enterprise Session Border Controller to disregard and strip all route headers for requests received on a SIP interface.</p>
udp-fallback	<p>When a request needs to be sent out on the SIP interface for which you have configured this option, the Oracle® Enterprise Session Border Controller first tries to send it over TCP. If the SIP endpoint does not support TCP, however, then the Oracle® Enterprise Session Border Controller falls back to UDP and tries the request again.</p>

 **Note:**

This feature screens all messages passing through SBC against the dropResponse list. If there is a hit, the response message is dropped. However, for error messages generated by the SBC, only the response messages generated after the initial routing is complete are screened against the dropResponse list.

Option	Description
via-header-transparency	Enables the Oracle® Enterprise Session Border Controller to insert its Via header on top of the top-most Via header received from user equipment (UE). It then forwards it on to the IP Multimedia Subsystem (IMS) core with the original Via header now located as the bottom-most Via header. The Oracle® Enterprise Session Border Controller still replaces the Contact and other header addresses with its own, and does not pass on the core's Via headers in outbound requests.
use-redirect-route	Use Route parameter in Contact header as next-hop as received in a 3xx response.
reg-via-proxy	Enables your Oracle® Enterprise Session Border Controller to support endpoints that register using an intervening proxy.
lmsd-interworking	Enables 3GPP2 LMSD Interworking.
suppress-reinvite	Enables reINVITE suppression.

## SIP Session Agent Options

The following table lists the SIP session agent options supported by the Oracle® Enterprise Session Border Controller.

Option	Description
dropResponse	The Oracle® Enterprise Session Border Controller drops responses by specified status codes. The option value can contain one or more status codes separated by semicolons. Error ranges can also be entered. If any of the response codes matches then a response is not sent. If the dropResponse option is set in both the sip-interface and the session-agent elements, the session-agent setting takes precedence.
trans-timeouts=<value>	Defines the number of consecutive non-ping transaction timeouts that will cause a session agent to be out of service. When the session agent is configured, i.e. when the PING options are defined, the value is 10. If not defined, the default value is 5. A Value of 0 prevents the session agent from going out of service because of a non-ping transaction timeout.
via-origin=<parameter-name>	Causes a parameter to be included in the top Via header of requests sent to the session agent. The parameter indicates the source IP address of the corresponding request received by the Oracle® Enterprise Session Border Controller. <parameter-name> defines the name of the parameter. If not specified, the default value origin is used.
refer-reinvite	Enables SIP REFER with Replaces.

## SIP Realm Options

The following table lists the SIP session agent options supported by the Oracle® Enterprise Session Border Controller.

Option	Description
number-normalization	Applies to the SIP To URI. (Currently the Oracle® Enterprise Session Border Controller supports number normalization on From and To addresses for both inbound and outbound call legs.) Number normalization includes add, delete, and replace string functions that result in consistent number formats. Number normalization occurs on ingress traffic, prior to the generation of accounting records or local policy lookups. (also applies for H.323 to SIP calls.)
refer-reinvite	Enables SIP REFER with Replaces.

## SIP Realm Options Configuration

To configure options:

Labels enclosed in <> indicate that a value for the option is to be substituted for the label. For example, <value>. In order to change a portion of an options field entry, you must re-type the entire field entry.

1. Navigate to the options parameter in the SIP configuration or SIP interface elements.
2. Enter the following:

```
options Space <option name>="<value>"
```

For example, if you want to configure the refer-to-uri-prefix option (the add-on conferencing feature):

Type `options`, followed by a Space.

Type `refer-to-uri-prefix`, followed by an equal sign (=).

Type the opening quotation mark (") followed by `conf`, another equal sign and the closing quotation mark.

Press Enter.

For example:

```
options refer-to-uri-prefix=conf=
```

If the feature value itself is a comma-separated list, it must be enclosed in quotation marks.

## Configuring Multiple Options

You can enter a list of options for this field:

1. Type **options** followed by a space.
2. Within quotation marks, enter the feature names and values of the parameters you need. Separate each one with a comma.
3. Close the quotation marks.

#### 4. Press Enter.

For example:

```
ACMEPACKET(sip-config)# options "refer-to-uri-prefix="conf=",encode-  
contact="+SD",add-ruri-user=INVITE,ACK"
```

## Adding an Entry

Enter the new entry with a preceding plus (+) sign. For example:

```
options +response-for-not-found
```

This format allows previously configured options field values to remain intact without requiring re-entry of the entire field value.

## SIP Security

This section provides an overview of Oracle® Enterprise Session Border Controller's security capability. Oracle® Enterprise Session Border Controller security is designed to provide security for VoIP and other multi-media services. It includes access control, DoS attack, and overload protection, which help secure service and protect the network infrastructure (including the Oracle® Enterprise Session Border Controller). In addition, Oracle® Enterprise Session Border Controller security lets legitimate users to still place calls during attack conditions, protecting the service itself.

Oracle® Enterprise Session Border Controller security includes the Net-SAFE framework's numerous features and architecture designs. Net-SAFE is a requirements framework for the components required to provide protection for the Session Border Controller (SBC), the service provider's infrastructure equipment (proxies, gateways, call agents, application servers, and so on), and the service itself.

## Denial of Service Protection

The Oracle® Enterprise Session Border Controller Denial of Service (DoS) protection functionality protects softswitches and gateways with overload protection, dynamic and static access control, and trusted device classification and separation at Layers 3-5. The Oracle® Enterprise Session Border Controller itself is protected from signaling and media overload, but more importantly the feature allows legitimate, trusted devices to continue receiving service even during an attack. DoS protection prevents the Oracle® Enterprise Session Border Controller host processor from being overwhelmed by a targeted DoS attack from the following:

- IP packets from an untrusted source as defined by provisioned or dynamic ACLs
- IP packets for unsupported or disabled protocols
- Nonconforming/malformed (garbage) packets to signaling ports
- Volume-based attack (flood) of valid or invalid call requests, signaling messages, and so on.
- Overload of valid or invalid call requests from legitimate, trusted sources



## Levels of DoS Protection

The multi-level Oracle® Enterprise Session Border Controller Denial of Service protection consists of the following strategies:

- **Fast path filtering/access control:** involves access control for signaling packets destined for the Oracle® Enterprise Session Border Controller host processor as well as media (RTP) packets. The SBC accomplishes media filtering using the existing dynamic pinhole firewall capabilities. Fast path filtering packets destined for the host processor require the configuration and management of a trusted list and a deny list for each Oracle® Enterprise Session Border Controller realm (although the actual devices can be dynamically trusted or denied by the Oracle® Enterprise Session Border Controller based on configuration). You do not have to provision every endpoint/device on the Oracle® Enterprise Session Border Controller, but instead retain the default values.
- **Host path protection:** includes flow classification, host path policing and unique signaling flow policing. Fast path filtering alone cannot protect the Oracle® Enterprise Session Border Controller host processor from being overwhelmed by a malicious attack from a trusted source. The host path and individual signaling flows must be policed to ensure that a volume-based attack will not overwhelm the Oracle® Enterprise Session Border Controller's normal call processing; and subsequently not overwhelm systems beyond it. The Oracle® Enterprise Session Border Controller must classify each source based on its ability to pass certain criteria that is signaling- and application-dependent. At first each source is considered untrusted with the possibility of being promoted to fully trusted. The Oracle® Enterprise Session Border Controller maintains two host paths, one for each class of traffic (trusted and untrusted), with different policing characteristics to ensure that fully trusted traffic always gets precedence.
- **Host-based malicious source detection and isolation – dynamic deny list.** Malicious sources can be automatically detected in real-time and denied in the fast path to block them from reaching the host processor.

## Configuration Overview

NAT table entries are used to filter out undesired IP addresses (deny list). After the packet from an endpoint is accepted through NAT filtering, policing is implemented in the Traffic Manager based on the sender's IP address. NAT table entries are used to distinguish signaling packets coming in from different sources for policing purposes.

You can configure deny rules based on the following:

- ingress realm
- source IP address
- transport protocol (TCP/UDP)
- application protocol (SIP)

You can configure guaranteed minimum bandwidth for trusted and untrusted signaling paths.

You can configure signaling path policing parameters for individual source addresses. Policing parameters include:

- peak data rate in bits per second

- average data rate in bits per second
- maximum burst size

## SIP Unauthorized Endpoint Call Routing

The Oracle® Enterprise Session Border Controller (E-SBC) can route new dialog-creating SIP INVITEs from unauthorized endpoints to a session agent or session agent group; then rejection can occur based on the `allow-anonymous` setting for the SIP port. This type of provisional acceptance and subsequent rejection applies only to INVITEs; the E-SBC continues to reject all other requests, such as SUBSCRIBE.

You might enable this feature if you have a network in which unauthorized SIP endpoints continually try to register even if the Oracle® Enterprise Session Border Controller has previously rejected them and never will accept them. For instance, the user account associated with the endpoint might have been removed or core registrars might be overloaded.

## SIP Unauthorized Endpoint Call Routing Configuration

You enable the routing of unauthorized endpoints to session agents and session agent groups that will reject them in the SIP interface configuration.

To enable SIP unauthorized endpoint call routing:

1. In Superuser mode, type **configure terminal** and press Enter.

```
ORACLE# configure terminal  
ORACLE(configure)#
```

2. Type **session-router** and press Enter.

```
ORACLE(configure)# session-router  
ORACLE(session-router)#
```

3. Type **sip-interface** and press Enter.

```
ORACLE(session-router)# sip-interface  
ORACLE(sip-interface)#
```

If you are adding this feature to an existing configuration, then you will need to select the configuration you want to edit.

4. **route-unauthorized-calls**—Enter the name (or IP address) of the session agent or session agent group to which you want calls from unauthorized endpoints routed. This parameter is blank by default, meaning the SIP unauthorized call routing feature is disabled.

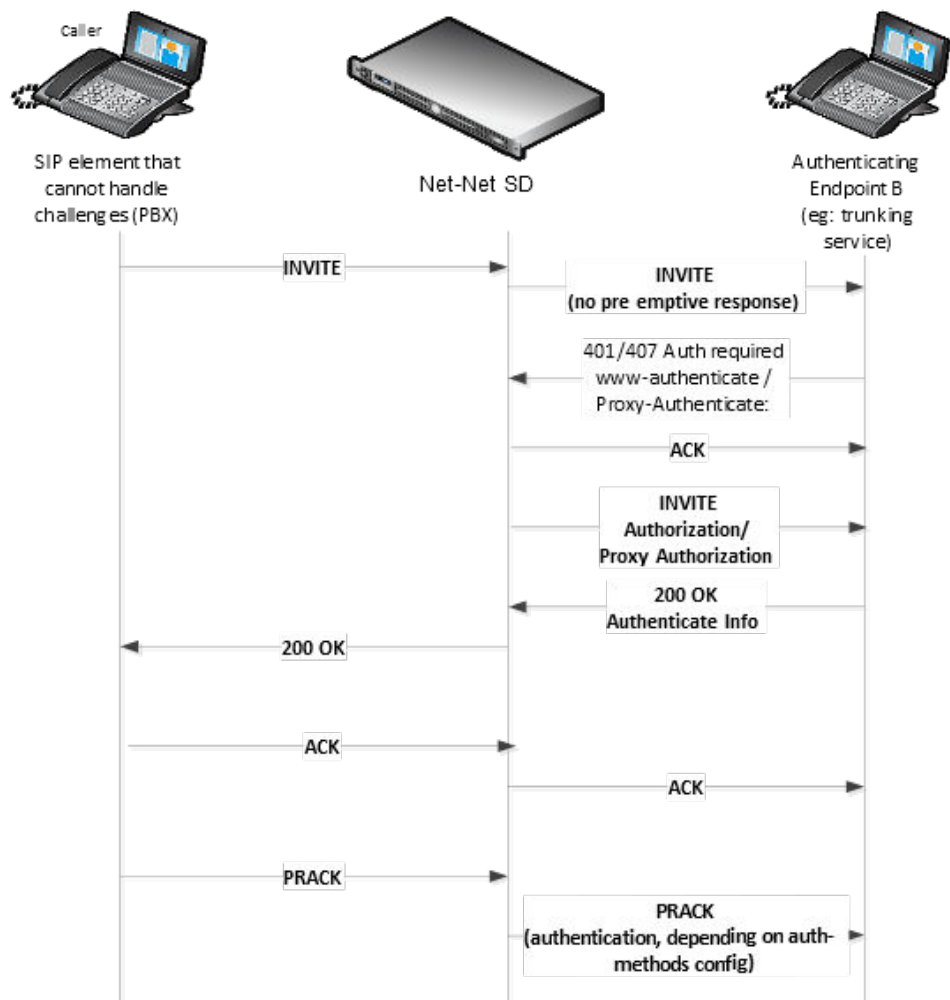
Remember your settings in the **allow-anonymous** parameter in the SIP port configuration provide the basis for rejection.

5. Save and activate your configuration.

## Digest Authentication with SIP

Digest authentication for Session Initiation Protocol (SIP) is a type of security feature on the Oracle® Enterprise Session Border Controller that provides a minimum level of security for basic Transport Control Protocol (TCP) and User Datagram Protocol (UDP) connections. Digest authentication verifies that both parties on a connection (host and endpoint client) know a shared secret (a password). This verification can be done without sending the password in the clear.

Digest authentication is disabled by default on the Oracle® Enterprise Session Border Controller. When digest authentication is enabled, the Oracle® Enterprise Session Border Controller (host) responds to authentication challenges from SIP trunking Service Providers (endpoint client). The Oracle® Enterprise Session Border Controller performs authentication for each IP-PBX initiating the call. However, the authentication challenge process takes place between the host and the client only since the IP-PBX cannot handle authentication challenges. The following illustration shows the digest authentication process.



The digest authentication scheme is based on a simple challenge-response paradigm. A valid response contains a checksum (by default, the MD5 checksum) of the “username” and password. In this way, the password is never sent in the clear.

By default, the Oracle® Enterprise Session Border Controller uses cached credentials for all requests within the same dialog, once the authentication session is established with a 200OK from the authenticating SIP element. If the in-dialog-methods attribute contains a value, it specifies the requests that have challenge-responses inserted within a dialog.

In digest authentication with SIP, the following can happen:

- More than one authenticating SIP element (IP-PBX) may be the destination of requests.
- More than one authentication challenge can occur in a SIP message. This can occur when there are additional authenticating SIP elements behind the first authenticating SIP element.
- The Oracle® Enterprise Session Border Controller distinguishes whether the IP-PBX is capable of handling the challenge. If Digest Authentication is disabled (no auth-attributes configured) on the Session Agent, the challenge is passed back to the IP-PBX.

 **Note:**

If there are multiple challenges in the request, and if the Oracle® Enterprise Session Border Controller has only some of the cached credentials configured, the Oracle® Enterprise Session Border Controller adds challenge-responses for the requests it can handle, and does not pass the challenge back to the IP-PBX.

## Challenge-Responses in Requests not in the Dialog

A digest authentication session starts from the client response to a www-authenticate/proxy-authenticate challenge and lasts until the client receives another challenge in the protection space defined by the auth-realm. Credentials are not cached across dialogs; however, if a User Agent (UA) is configured with the auth-realm of its outbound proxy, when one exists, the UA may cache credentials for that auth-realm across dialogs.

 **Note:**

Existing Oracle® Enterprise Session Border Controller behavior with surrogate-agents is that they cache credentials from REGISTER for INVITE sessions only if the Oracle® Enterprise Session Border Controller is considered a UA sending to its outbound proxy.

## Configuring Digest Authentication

In the Oracle® Enterprise Session Border Controller CLI, you can access the Digest Authentication object at the path **session-router, session-agent, auth-attribute**. If enabled, the Digest Authentication process uses the attributes and values listed in this table.

### Note:

If enabling Digest Authentication, all attributes listed below are required except for the in-dialog-methods attribute which is optional.

The following table lists the digest authentication object

```
ORACLE(auth-attribute)# show
      auth-attribute
                auth-realm                realm01
                username                  user
                password                  *****
                in-dialog-methods        ACK INVITE SUBSCRIBE
```

To configure digest authentication on the Oracle® Enterprise Session Border Controller:

1. In Superuser mode, type `configure terminal` and press Enter.

```
ORACLE# configure terminal
```

2. Type `session-router` and press Enter to access the session router-related objects.

```
ORACLE(configure)# session-router
ORACLE(session-router)#
```

3. Type `session-agent` and press Enter to access the session agent-related attributes.

```
ORACLE(session-router)# session-agent
ORACLE(session-agent)#
```

4. Type `auth-attribute` and press Enter to access the digest authentication-related attributes.

```
ORACLE(session-agent)# auth-attribute
ORACLE(auth-attribute)#
```

5. `auth-realm` — Enter the name (realm ID) of the host realm initiating the authentication challenge. This value defines the protected space in which the

digest authentication is performed. Valid value is an alpha-numeric character string. Default is blank.

```
ORACLE(auth-attribute)# auth-realm realm01
```

6. **username** — Enter the username of the client. Valid value is an alpha-numeric character string. Default is blank.

```
ORACLE(auth-attribute)# username user
```

7. **password** — Enter the password associated with the username of the client. This is required for all LOGIN attempts. Password displays while typing but is saved in clear-text (i.e., \*\*\*\*\*). Valid value is an alpha-numeric character string. Default is blank.

```
ORACLE(auth-attribute)# password *****
```

8. **in-dialog-methods** — Enter the in-dialog request method(s) that digest authentication uses from the cached credentials. Specify request methods in a list form separated by a space enclosed in parentheses. Valid values are:
  - INVITE | BYE | ACK | CANCEL | OPTIONS | SUBSCRIBE | PRACK | NOTIFY | UPDATE | REFER

```
ORACLE(auth-attribute)# in-dialog-methods (ack invite subscribe)
```

 **Note:**

The methods not in this list are still resubmitted if a 401/407 response is received by the Oracle® Enterprise Session Border Controller.

If you do not specify any in-dialog-method value(s), digest authentication does not add challenge-responses to in-dialog requests within a dialog.

This attribute setting applies to in-dialog requests only.

## Additional Notes

The following are additional notes that describe the digest authentication process:

- The Oracle® Enterprise Session Border Controller always challenges the first LOGIN request, and initial authentication begins with that request. The recalculated authorization key — the credentials — are then included in every subsequent request.
- If the Oracle® Enterprise Session Border Controller does not receive any communication from the client within the expiration period, the Oracle® Enterprise Session Border Controller logs the client out and tears down the transport connection. Faced with interface loss, the Oracle® Enterprise Session Border Controller default behavior is to flush all warrant information from the target database. This response necessitates that the client first login/re-register with the Oracle® Enterprise Session Border Controller, and then repopulate the empty database using a series of ADD requests. This behavior ensures that client and

Oracle® Enterprise Session Border Controller target databases are synchronized.

Alternatively, when faced with interface loss, the Oracle® Enterprise Session Border Controller can retain all warrant information within the target database. This response necessitates only that the client first login/re-register with the Oracle® Enterprise Session Border Controller. After successful registration the client should, but is not required to, use a series of GET, ADD, and DELETE requests to ensure that the Oracle® Enterprise Session Border Controller and client target databases are synchronized.

- The Oracle® Enterprise Session Border Controller ignores the Authentication-Info header that comes in the 200OK response after digest authentication is complete. The Oracle® Enterprise Session Border Controller receives a 401/407 response from the client. However, some surrogate-agents may process the Authentication-Info header in a single challenge.

## Digest Authentication and High Availability

The Oracle® Enterprise Session Border Controller supports digest authentication in high availability (HA) environments. The session-agent configuration, which includes the digest authentication parameters on the primary Oracle® Enterprise Session Border Controller, are replicated on the HA Oracle® Enterprise Session Border Controller. However, cached credentials on the primary device are not replicated on the HA device.

## SIP NAT Function

This section explains how to configure the optional SIP NAT function. You can configure the SIP NAT function if you need to translate IP address and UDP/TCP port information. The SIP NAT function also prevents private IP addresses in SIP message URIs from traveling through an untrusted network.

## Overview

The Oracle® Enterprise Session Border Controller is an intermediary device that provides NAT functions between two or more realms. It translates IP addresses between untrusted and trusted networks using NAT. A trusted network is inside the NAT, and an untrusted network is outside the NAT. A NAT also lets a single IP address represent a group of computers.

For SIP, the SIP NAT function on the Oracle® Enterprise Session Border Controller does the following:

- routes SIP packets between the Oracle® Enterprise Session Border Controller's SIP proxy (B2BUA) and external networks (or realms), including the translation of IP address and UDP/TCP port information.
- prevents private IP addresses in SIP message URIs from traveling through the untrusted network. SIP NAT either translates the private address to one appropriate for an untrusted address or encrypts the private address into the URI.

Packets arriving on the external address (at port 5060) are forwarded to the Oracle® Enterprise Session Border Controller's SIP proxy with the source address changed to the home address (at port 5060). When the Oracle® Enterprise Session Border Controller's SIP proxy sends packets to the home address (at port 5060), they are

forwarded to the external proxy address (and external proxy port), with the source address changed to the external address (at port 5060).

 **Note:**

The SIP config's NAT mode parameter works in conjunction with the SIP NAT function configuration. It identifies the type of realm in which the SIP proxy is located (public or private) and affects whether IPv6 addresses in SIP messages are encoded.

The translation of URIs in the actual SIP message occurs as messages are received and sent from the Oracle® Enterprise Session Border Controller's SIP proxy. For the messages being sent to the external network, the contents of the SIP message are examined after the translation to determine if the destination needs to be changed from the external proxy address to an address and port indicated by the SIP message. This process takes place so the request is sent to where the Request-URI or the Route header indicates, or so the response is sent to where the Via indicates.

## NAT Modes

The specific addresses used in translating URIs in the SIP message depend on whether the Oracle® Enterprise Session Border Controller is performing NAT functions for a trusted or untrusted network. This condition is determined by the NAT mode value you enter when you configure the SIP config element. The NAT modes are:

- **untrusted**—The SIP proxy is associated with an address for an untrusted network (the address value you entered when you configured the SIP interface's SIP port parameter), and the home address in the SIP NAT is the address of the external realm/network. When the URI contains the external address, it is translated to the SIP NAT's home proxy address (or to the SIP port address if the home proxy address field is empty). When a URI contains the external proxy address, it is translated to the home address.

If the URI contains any other private address (matching the realm's address prefix, identified in the SIP NAT's realm ID), it is encrypted and the address is replaced with the home address value. If the URI contains a user part, a suffix consisting of the user NAT tag and the encrypted address is appended to the user part. For example, with a user NAT tag value of `-private-`, the private URI of `sip@123192.169.200.17:5060` will become the public URI of `sip:123-private-eolmhet2chbl3@172.16.0.15`.

If there is no user part, the host consists of the host NAT tag followed by the encrypted address and the domain suffix. A `maddr` parameter equal to the home address (or received in the case of a Via header) is added to the URI. For example, with a host NAT tag value of `PRIVATE-` and a domain suffix value of `private.com`, the private URI of `sip:192.168.200.17:5060` will become the public URI of `sip:PRIVATE-eolmhet2chbl3.private.com:5060;maddr=172.16.0.15`.

- **trusted**—The SIP proxy is on a trusted network (the address value you entered when you configured the SIP interface's SIP port parameter), and the SIP NAT's external address is the public address of the external realm/network. When the URI contains the home address value, it is translated to the value set for the external proxy address. When the URI contains the SIP proxy's address, it is translated to the external address. If the URI contains any other private address (matching the realm's address prefix, identified in the SIP NAT's realm ID),



the private address is encrypted and the address is replaced with the external address.

 **Note:**

Do not use the home proxy address value with private NAT functioning.

## Adding a maddr Parameter to a URI

When you configure a SIP interface, you can configure the contact mode. The contact mode sets the contact header routing mode, which determines how the contact address from a trusted network is formatted. You set the contact mode to add a maddr parameter equal to the SIP proxy to the URI in the Contact header. For example, the URI from the prior example (sip:192.168.200.17:5060) becomes sip:123-trusted-eolmhet2chbl3@172.16.0.15;maddr=172.16.0.12.

 **Note:**

For SIP elements that do not support the maddr parameter, configure a Contact mode as none.

You might require this encryption to cause other SIP elements in the untrusted network to send requests directly to the SIP proxy. Otherwise, the requests are sent to the home address. However, responses sent by the SIP proxy will have the SIP proxy's source address, rather than the home address. Some SIP elements might drop responses that come from a IP address different from the one to which the request is sent.

## About Headers

You can specify which SIP headers you want effected by the SIP NAT function. The URIs in these headers are translated and encrypted, the encryption occurs according to the rules of this SIP NAT function.

You can enter header values by using either the full header name or its corresponding abbreviation, if applicable. The following table lists the available headers and their corresponding abbreviations.

Header	Abbreviation
Call-ID	i
Contact	m
From	f
Record-Route	none
Route	none
Ready-To	none
Replaces	none
Refer-To	r
To	t

---

Header	Abbreviation
Via	v

---

SIP sessions are terminated and re-originated as new sessions as they are routed through the Oracle® Enterprise Session Border Controller. Among the actions performed, SIP headers are modified to prevent the transmission of IP address and route information.

## Replacing Headers

In the SIP signaling message, any Via headers are stripped out and a new one is constructed with the Oracle® Enterprise Session Border Controller's IP address in the sent-by portion. If a Contact header is present, it is replaced with one that has the Oracle® Enterprise Session Border Controller's IP address. All other headers are subject to NATing based on the following rules:

- The Request-URI is replaced with the next hop's IP or FQDN address.
- All other headers are replaced based on the two SIP NAT function SIP NAT function rules

## Mapping FQDNs

The Oracle® Enterprise Session Border Controller maps FQDNs that appear in the certain headers of incoming SIP messages to the IP address that the SBC inserts in outgoing SIP contact headers. The mapped FQDNs are restored in the SIP headers in messages that are sent back to the originator.

This feature is useful to carriers that use IP addresses in the SIP From address to create trunk groups in a softswitch for routing purposes. When the carrier's peer uses FQDNs, the carrier is forced to create trunk groups for each possible FQDN that it might receive from a given peer. Similarly, this can apply to SIP Contact and P-Asserted-Identity headers.

## SIP NAT Function Cookies

Cookies are inserted to hide that information is coming from a realm external to the home realm. They are used when information needs to be placed into a given element of a SIP message that must also be seen in subsequent SIP messages within a flow. When forwarding a SIP message, the Oracle® Enterprise Session Border Controller (E-SBC) encodes various information in the outgoing message, which is passed from one side to another in SIP transactions.

SIP NAT function cookies let the E-SBC hide headers, IPv4 addresses, and SIP URIs. These cookies are included when certain conditions are present in E-SBC SIP transactions.

Oracle's SIP NAT function cookies can be used in the userinfo, host, URL parameter, and tel URL parameter portions of the SIP message.

### userinfo

The Oracle® Enterprise Session Border Controller places a cookie in the userinfo portion of a SIP URI when a SIP header contains a SIP URI, and includes that header

type in the list of headers to be hidden (encrypted) in the associated SIP NAT function. The cookie for the userinfo portion is the following:

```
[user nat tag][encrypted 13-byte host IP][encrypted 13 byte maddr IP  
(if present)]
```

where:

- [user nat tag] refers to the SIP NAT function's original user NAT tag field.
- [encrypted 13-byte host IP] refers to the host IP encryption.
- [encrypted 13 byte maddr IP (if present)] refers to the maddr IP encryption, if it exists.

With a user NAT tag of -acme, the following SIP-URI:

```
sip:6175551212@192.168.1.100
```

might be translated into:

```
sip:6175551212-acme-pfils7n2pstna@172.16.1.10
```

 **Note:**

Multiple additional cookies might be appended with each hop (for example, from the external proxy to the home proxy and back).

## host

When hiding IP addresses in a SIP message, the SIP NAT function generates the following cookie for a SIP-URI with no userinfo portion:

```
[host nat tag][encrypted 13-byte host IP][encrypted 13 byte maddr IP  
(if present)][domain suffix]
```

where:

- [host nat tag] refers to the SIP NAT function's host NAT tag.
- [encrypted 13-byte host IP] refers to the host IP encryption.
- [encrypted 13 byte maddr IP (if present)] refers to the maddr IP encryption, if it exists.
- [domain suffix] refers to the SIP NAT function's domain suffix field.

With a SIP NAT function's host tag of ACME- and a domain suffix of .acme.com, the following SIP header:

```
Via: SIP/2.0/UDP 192.168.1.100:5060
```

might be translated into the following:

```
Via: SIP/2.0/UDP ACME-pfils7n2pstna.acme.com
```

## URL Parameter

If the SIP NAT function's use url parameter field has a value of from-to or all, the SIP NAT function places all cookies generated to hide SIP URIs in a custom tag appended to the header. Setting the use url parameter field to:

- from-to only affects the behavior of the SIP NAT function's cookies in the From and To headers.
- all affects all SIP headers processed by the SIP NAT function

The cookie is the following:

```
[;url-parameter]=[host nat tag][encrypted 13-byte host IP][encrypted 13-byte maddr IP]
```

where:

- [;url-parameter] refers to the SIP NAT function's parameter name field. This cookie type is associated with the all and from-to field value options of the SIP NAT function's use url parameter field.
- [host nat tag] refers to the SIP NAT function's host NAT tag field.
- [encrypted 13-byte host IP] refers to the host IP encryption.
- [encrypted 13 byte maddr IP (if present)] refers to the maddr IP encryption, if it exists.

With a host NAT tag of ACME- and a parameter name of acme\_param, the following SIP-URI:

```
sip:6175551212@192.168.1.100
```

might be translated into the following:

```
sip:6175551212@172.16.1.10;acme_param=ACME-pfils7n2pstna.
```

## tel URL

The SIP NAT function cookie is used when devices in your network are strict about the context portion of SIP messages regarding the conversion of tel URLs. This cookie for the tel URL parameter portion of a SIP message is the following:

```
tel URL parameter-[13-byte host IP][13 byte optional maddr IP]domain  
suffix
```

where:

- tel URL parameter refers to the SIP NAT function's use url parameter. This cookie type is associated with the use url parameter's phone field value for the SIP NAT.
- [13-byte host IP] refers to the host IP encryption.

- [13 byte optional maddr IP] refers to the maddr IP encryption, if it exists.
- domain suffix refers to the SIP NAT function's domain suffix field.

## Configuration Overview

Configuring the SIP NAT function falls into two areas, the SIP NAT interface parameters and the SIP NAT policies.

### SIP NAT Interface

The following tables lists the SIP NAT function interface parameters you need to configure on the Oracle® Enterprise Session Border Controller (E-SBC).

Parameter	Description
realm ID	Name of the external realm. The realm ID must be unique; no two SIP NATs can have the same realm ID. This realm ID must also correspond to a valid realm identifier entered when you configured the realm.
external proxy address	IPv4 address of the SIP element (for example, a SIP proxy) in the external network with which the E-SBC communicates. Entries must follow the IP address format.
external proxy port	UDP/TCP port of the SIP element (for example, a SIP proxy) in the external network with which the E-SBC communicates. Minimum value is 1025, and maximum value is 65535. Default is 5060.
external address	IPv4 address on the media interface in the external realm. Enter a value that ensures any packet with an external address value as its destination address is routed to the E-SBC through the media interface connected to or routable from the external realm. Entries must follow the IP address format. To specify whether the external realm referenced in this field is private or public, configure the SIP config's NAT mode.
home address	IPv4 address on the media interface in the home realm. Enter a value that ensures any packet with a home address value as its destination address must be routed to the E-SBC through the media interface connected to or routable from the home realm. Entries must follow the IP address format. The value entered in this field must be different from the IP address value of the home realm's network interface element. The home realm network interface is associated with this SIP NAT by its realm ID and the realm's identifier and network interface value you entered when you configured the realm. The realm's network interface identifier value corresponds to this SIP NAT's realm ID, the SIP config's home realm ID, and the media manager's home realm ID.

Parameter	Description
home proxy address	<p>Sets the IP address for the home proxy (from the perspective of the external realm). By default, this field is empty.</p> <p>An empty home proxy address field value signifies that there is no home proxy, and the external address will translate to the address of the E-SBC 's SIP proxy. Entries must follow the IP address format.</p>
home proxy port	<p>Sets the port number for the home realm proxy. Value can be set to zero (0). Minimum is 1025 and maximum is 65535. Default is 5060.</p>
route home proxy	<p>Whether to route all inbound requests for the SIP NAT to the home proxy. enabled adds route if Request-URI is not the E-SBC disabled does not route inbound requests to the home proxy forced always adds route</p>

## SIP NAT Function Policies

The following tables lists the SIP NAT function policy parameters you need to configure on the Oracle® Enterprise Session Border Controller (E-SBC).

Parameter	Description
domain suffix	<p>Domain name suffix of the external realm. The domain name suffix refers to and must conform to the hostname part of a URI. In combination with the user NAT tag and host NAT tag values, this value is used to help the E-SBC identify an encoded URI that it needs to translate when moving between public and private realms.</p> <p>This suffix is appended to encoded hostnames that the SIP NAT function creates. For example, if the encoded hostname is ACME-abc123 and the domain-suffix value is .netnetsystem.com, the resulting FQDN will be ACME-abc123.netnetsystem.com.</p>
address prefix	<p>Defines which IPv4 address prefixes from incoming messages require SIP-NAT encoding (regardless of the realm from which these messages came).</p>
tunnel redirect	<p>Controls whether Contact headers in a 3xx Response message received by the E-SBC are NATed when sent to the initiator of the SIP INVITE message.</p>
use url parameter	<p>Establishes whether SIP headers will use the URL parameter entered in the parameter name for encoded addresses that the SIP NAT function creates. Also, if SIP headers will be used, which type of headers will use the URL parameter. For example, all headers or just the From and To headers. Enumeration field.</p>
parameter name	<p>Indicates the name of the URL parameter when use url applies. This field value will be used in SIP NAT encoding addresses that have a use url parameter value of either from-to or all.</p>

Parameter	Description
user NAT tag	Identifies the prefix used when an address is encoded into the username portion of user@host;name=xxxx; where name = parameter name. The user NAT tag values can consist of any characters that are valid for the userinfo part of a URI. In combination with the domain suffix and host NAT tag field values, this value is used to help the E-SBC identify an encoded URI that it needs to translate when moving between public and private realms.
host NAT tag	Identifies the prefix used when encoding an address into the hostname part of the URI or into a URL parameter. The host NAT tag values refer to domain labels and can consist of any characters that are valid for the hostname part of a URI. In combination with the domain suffix and user NAT tag values, this value is used to help the E-SBC identify an encoded URI that it needs to translate when moving between public and private realms.
headers	Lists the SIP headers to be affected by the E-SBC SIP NAT function. The URIs in these headers will be translated and encrypted, and encryption will occur according to the rules of this SIP NAT.

## SIP NAT Function Configuration

To configure the SIP NAT function on an Oracle® Enterprise Session Border Controller (E-SBC):

1. In Superuser mode, type **configure terminal** and press Enter.

```
ORACLE# configure terminal
```

2. Type **session-router** and press Enter to access the system-level configuration elements.

```
ORACLE(configure)# session-router
```

3. Type **sip-nat** and press Enter. The system prompt changes to let you know that you can begin configuring individual parameters.

```
ORACLE(session-router)# sip-nat
ORACLE(sip-nat)#
```

4. **realm-ID**—Enter the name of the realm you want to identify as the external realm.  
The name you use as the realm ID must be unique. No two SIP NAT functions can have the same realm ID. Also, this value must correspond to a valid identifier entry already configured for the realm.
5. **domain-suffix**—Enter the domain suffix to identify the domain name suffix of the external realm. The domain suffix must begin with a (.) dot.

The domain name suffix refers to and must conform to the hostname part of a URI. For example:

```
.netnetsystem.com
```

The domain suffix is appended to encoded hostnames that the SIP NAT function creates. For example, if the encoded hostname is ACME-abc123, the resulting FQDN is ACME-abc123.netnetsystem.com.

- 6. external-proxy-address**—Enter the external proxy address to identify the IPv4 address of the SIP element (for example, a SIP proxy) in the external network with which the E-SBC communicates.

Enter the value in the IP address format. For example:

```
192.168.11.200
```

- 7. external-proxy-port**—Enter the external proxy port value to identify the UDP/TCP port of the SIP element (for example, a SIP proxy) in the external network with which the E-SBC communicates. The default is **5060**. The valid range is:

- Minimum—1025
- Maximum—65535

- 8. external-address**—Enter the external address, which is an IPv4 address on the media interface in the external realm.

Enter the value in the IP address format. For example:

```
192.168.11.101
```

This value must be such that any packet with an external address value as its destination address is routed to the E-SBC through the media interface connected to or routable from the external realm.

- 9. home-address**—Enter the home address, which is an IPv4 address on the network interface in the home realm. This value must be such that any packet with a home address value as its destination address must be routed to the E-SBC through the media interface connected to or routable from the home realm.

Enter the value in the IP address format. For example:

```
127.0.0.10
```

The value entered in this field **must be different** from the IP address value of the home realm's network interface element.

The home realm network interface is associated with this SIP NAT by its realm ID and the realm's identifier and network interface value you entered when you configured the realm. The realm's network interface identifier value corresponds to this SIP NAT's realm ID, the SIP config's home realm ID, and the media manager's home realm ID.

- 10. home-proxy-address**—Enter the home proxy address to set the IP address for the home proxy (from the perspective of the external realm).



By default, this field is empty. No home proxy address entry signifies there is no home proxy, and the external address will translate to the address of the E-SBC's SIP proxy.

Enter the value in the IP address format. For example:

```
127.1.0.10
```

11. **home-proxy-port**—Enter the home proxy port to set the port number for the home realm proxy. The default value is **0**. The valid range is:
  - Minimum—0, 1025
  - Maximum—65535
12. **route-home-proxy**—Optional. Enable or disable requests being routed from a given SIP-NAT to the home proxy. The default value is **disabled**. The valid values are:
  - **enabled**—All inbound requests for a specific SIP NAT are routed to the home proxy
  - **disabled**—All inbound requests are not routed through the home proxy.
  - **forced**—The Request is forwarded to the home proxy without using a local policy.
13. **address-prefix**—Optional. Indicate the IPv4 address prefix from incoming messages that requires SIP NAT function encoding (regardless of the realm from which these messages came).

 **Note:**

This value overrides the value set in the realm's address prefix field.

This field's format incorporates an IPv4 address and number of bits in the network portion of the address. For example, a Class C address has a 24-bit network part. The address prefix for 101.102.103.x would be represented as 10.102.103.0/24.

The default value is an asterisk (\*). When you enter this value or do not enter a value, the realm's address prefix value is used.

14. **tunnel-redirect**—Set to one of the following values to indicate whether certain headers in a 3xx Response message received by the E-SBC are NATed when sent to the initiator of the SIP INVITE message. The default is **disabled**. The valid values are:
  - **enabled**—Certain headers in a 3xx Response message are NATed.
  - **disabled**—Certain headers in a 3xx Response message are not NATed.
15. **use-url-parameter**—Establish whether SIP headers will use the URL parameter (configured in the next step) for encoded addresses created by the SIP NAT function. If SIP headers will be used, this value identifies which types of headers will use the URL parameter. The default value is **none**. The available values include:
  - **none**—No headers will use the URL parameter for address encoding.

The following example illustrates the functionality of an E-SBC using a use url parameter value of none:

```
sip: 1234@1.2.3.4 is translated into sip: 1234-acme-xxxx@5.6.7.8
```

where -acme-xxxx is a cookie and xxxx is the encoded version of 1.2.3.4.

- **from-to**—From and To headers will use the URL parameter for address encoding

The following example illustrates the functionality of a E-SBC using a use url parameter value of none:

```
sip: 1234@1.2.3.4 is translated into sip: 1234@5.6.7.8; pn=acme-xxxx
```

where -acme-xxxx is a cookie and xxxx is the encoded version of 1.2.3.4.

- **all**—All headers will use the URL parameter for address encoding. Acme Packet recommends not using this values because other SIP elements or implementations (other than the Oracle® Enterprise Session Border Controller) might not retain the URL parameter in subsequent SIP messages that they send to the Oracle® Enterprise Session Border Controller.

- **phone**—

If this field is set to either from-to or all, the E-SBC puts the encoded address of the SIP NAT into a URL parameter instead of using the encoding name inside the userinfo part of the address.

16. **parameter-name**—If you have configured the **use-url-parameter** with the from-to or all value, you need to indicate the hostname prefix.

The parameter name value is used in SIP NAT encoding addresses that have the use url parameter values of from-to or all.

17. **user-NAT-tag**—Enter a value to identify the username prefix used for SIP URIs. The values you can use can include any characters valid for the userinfo part of a URI. This should be made unique for each realm and SIP NAT function.

The default value is **-acme-**.

In combination with the domain suffix and host NAT tag values, this value is used to help the E-SBC identify an encoded URI that it needs to translate when moving between public and private realms.

18. **host-NAT-tag**—Enter a value for the host NAT tag field to identify the hostname prefix used for SIP URIs. The value refers to domain labels and can include any characters valid for the hostname part of the URI. This should be made unique for each realm and SIP NAT function.

The default value is **ACME-**.

In combination with the domain suffix and user NAT tag values, this value is used to help the E-SBC identify an encoded URI that it needs to translate when moving between public and private realms.

19. **headers**—List the SIP headers you want affected by the SIP NAT function. The URIs in these headers are translated and encrypted, and encryption occurs according to the SIP NAT function rules.

To enter the full default list, type headers, followed by a Space and -d, then press Enter.

You can also insert the following tags in SIP NAT headers if you want to replace FQDNs with next hop or SIP interface IP addresses:

- `fqdn-ip-tgt`: replaces the FQDN with the target address
- `fqdn-ip-ext`: replaces the FQDN with the SIP NAT external address

Enter the tag using the following format:

```
<header-name>=<tag>
```

For example:

```
To=fqdn-ip-tgt
```

The FQDN in a To header is replaced with the target IP address.

You can insert the following tags to apply NAT treatment to a From header in an INVITE when the gateway sends it into the home realm.

- `ip-ip-tgt`: replaces any IP address in the From header with the next hop target
- `ip-ip-ext`: replaces any IP address in the From header with the E-SBC's external address

To view all SIP NAT function parameters, enter a ? at the system prompt. The following example shows SIP NAT configuration for peering network.

```

sip-nat
    realm-id                peer-1
    domain-suffix           .pl.acme.com
    ext-proxy-address       192.168.11.200
    ext-proxy-port          5060
    ext-address             192.168.11.101
    home-address            127.0.0.10
    home-proxy-address      127.1.0.10
    home-proxy-port         5060
    route-home-proxy        enabled
    address-prefix          *
    tunnel-redirect         disabled
    use-url-parameter       none
    parameter-name
    user-nat-tag            -pl-
    host-nat-tag            Pl-
    headers                 Call-ID Contact From Join
Record-Route              Refer-To Replaces Reply-
To Route To Via          f i m r t v

```

## SIP Realm Bridging

This section explains how to configure the internal routing among realms known as realm bridging. Realm bridging lets you cross-connect SIP interfaces. You can use one of the following two methods for bridging realms:

- local policy bridging: use this method to enable dynamic internal routing between realms if your SIP interfaces do not have the SIP NAT function applied.
- SIP NAT bridging: use this method if your SIP interfaces have the SIP NAT function applied.

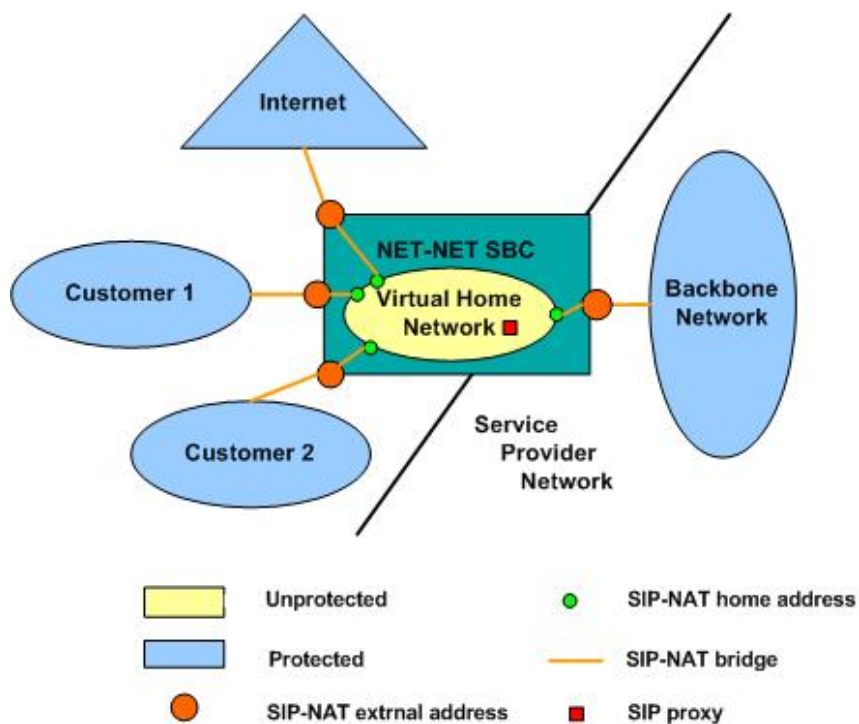
## About SIP NAT Bridging

Each SIP NAT has a presence in two realms, trusted and untrusted. The SIP NAT bridge is the conduit for packages in and out of the home realm. It creates a bridge between realms by providing address translations; removing all references to the original IP addressing from the packets sent to the destination network.

With the SIP NAT bridge, an untrusted (or public) home network can reside within the Oracle® Enterprise Session Border Controller, while the other entities (the backbone network, the Internet, or customer networks) are all trusted (or private). One of the primary functions of the SIP NAT bridge is to protect networks from one another so that address bases can remain hidden. Using a SIP NAT bridge, no one network has direct access to the data of other networks.

Establishing a SIP NAT bridge lets you route every SIP Request message through the backbone. Without using this functionality, it would appear as though all messages/sessions were coming from the Oracle® Enterprise Session Border Controller's SIP proxy (the SIP server that receives SIP requests and forwards them on behalf of the requestor).

The following diagram illustrates this unprotected (or public) and protected (or private) division.



## SIP NAT Bridge Configuration Scenarios

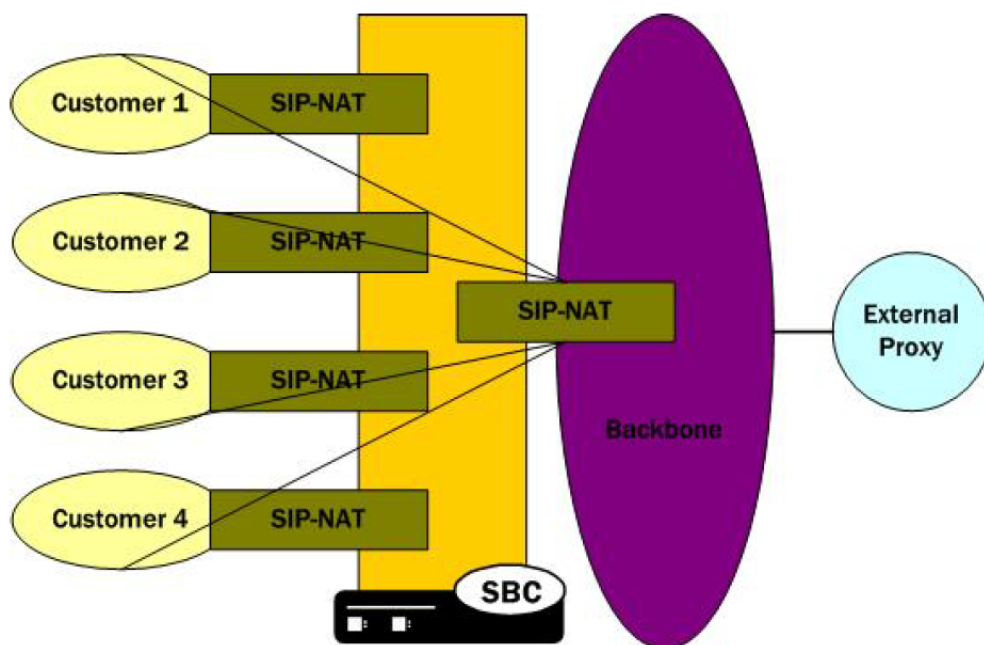
You can configure the SIP NAT bridge functionality in a many-to-one or a one-to-one relationship. For example, multiple customer SIP NATs can be tied to a single backbone SIP NAT, or a single customer SIP NAT can be tied to a single backbone SIP NAT.

You might need to use several SIP NATs on the customer side while using only one on the backbone side in a many-to-one relationship. Or you might configure one SIP NAT on the backbone side for every one that you configure on the customer side in a one-to-one relationship.

You can route all customer side SIP NAT requests to the corresponding backbone SIP NAT regardless of the Request URI. If a request arrives from the customer network with a Request URI that does not match the customer SIP NAT external address or the local policy that would route it to the backbone SIP NAT; the route home proxy value is used.

### Many to One Configuration

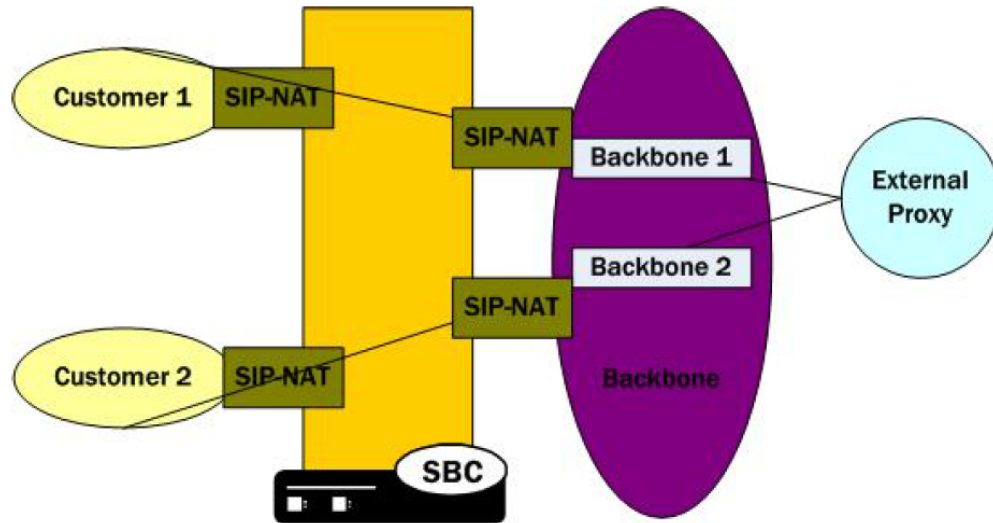
In the many-to-one scenario, multiple customer SIP NATs are tied to a single backbone SIP NAT. The following diagram illustrates the many-to-one SIP NAT bridge configuration.



### One-to-One Configuration

In the one-to-one scenario, a single customer SIP NAT is tied to a single backbone SIP NAT. On the backbone SIP NAT side, you configure the home proxy address to match the home address of the customer SIP NAT. On the customer side, you configure the home proxy address to match the home address of the backbone SIP NAT.

The following diagram illustrates the one-to-one SIP-NAT bridge configuration.



## SIP NAT Bridge Configuration

You create a bridge between SIP NATs by pointing them at one another. You point the SIP NATs at each other by configuring the home address and home proxy address to create the bridge. In addition, you can configure the route home proxy on the customer's side of a SIP NAT to force all requests to be routed to the corresponding backbone SIP NAT, regardless of the Request URI. You need to force requests when elements in the customer's network send requests with a Request URI that does not match the customer's SIP NAT external address. Or when the Request URI does not match a local policy element that would route the requests to the backbone SIP NAT.

You also need a home network to create a SIP NAT bridge. If you do not have a real home network, you need to create a virtual one. You also need to configure instances of the SIP NAT to create the SIP NAT bridge within your network.

## Creating a Virtual Home Network

A virtual home network is a home network that resides entirely within the Oracle® Enterprise Session Border Controller, as does a real home network. The difference between the two is the real home network also has a physical connection to the Oracle® Enterprise Session Border Controller.

The internal home realm/network is usually configured with addresses within the special loopback range (127.0.0.0/8) as described in RFC 3330. This applies to the SIP port addresses for the home realm's SIP interface, and all home addresses for SIP NATs. The address 127.0.0.1 should not be used because it conflicts with the default loopback interface setup by the system for inter-process communication.

To create a virtual home network:

1. Set the name and subport ID of the network interface associated with the home realm element to lo0:0.
2. To enable the SIP proxy to listen for messages on the virtual home realm, configure the home realm ID. It must correspond to the realm's identifier, in which you set the network interface subelement to point to the appropriate network interface element.

The following table lists the field values you need to set when you are using SIP NAT bridge functionality and you do not have a real home network.

Configuration Element		Sample Values
realm configuration	identifier	home
N/A	network interfaces	lo0:0
N/A	address prefix	127.0.0.0/8
SIP configuration	home realm ID	home
N/A	SIP ports address	127.0.0.100

## Many-to-One Configuration

To configure many-to-one:

1. For the backbone SIP NAT, ensure the home proxy address field is blank.
2. For the customer side SIP NAT:

Set the home address to match the home address of the customer.

Set the home proxy address to match the backbone SIP NAT home address.

Set route home proxy to forced.

The following table lists the field values you need to set to create a many-to-one SIP NAT bridge.

SIP NAT Entity	Field	Sample Values
Backbone SIP NAT	home address	IPv4 address of the home realm. For example: 127.0.0.120
N/A	home proxy address	IPv4 address of the home proxy from the perspective of the external realm. For a backbone SIP NAT, leave blank.
Customer SIP NAT	home address	127.0.0.120
N/A	home proxy address	127.0.0.110
N/A	route home proxy	forced

## One-to-One Configuration

In the one-to-one scenario, a single customer SIP NAT is tied to a single backbone SIP NAT. The home proxy address field value of the backbone SIP NAT must match the home address of the customer SIP NAT. On the customer side, the home address of the customer SIP NAT should be defined as the home address of the customer, the home proxy address field value should match the home address of the backbone SIP NAT, and route home proxy should be set to forced.

The following table lists the field values you need to set to create a one-to-one SIP NAT bridge.

SIP NAT Entity	Field	Sample Values
Backbone SIP NAT	home address	IPv4 address of the home realm. For example: 127.0.0.110
N/A	home proxy address	IPv4 address of the home proxy from the perspective of the external realm. 127.0.0.120
Customer SIP NAT	home address	127.0.0.120
N/A	home proxy address	127.0.0.110
N/A	route home proxy	forced

## Shared Session Agent

Usually, the same set of servers (the external proxy) is used for all SIP NATs to the backbone network. In order to support redundant servers in the backbone of a SIP NAT bridge, the original egress realm as determined by the incoming Request URI needs to be retained after a local policy lookup.

When a request arrives at the Oracle® Enterprise Session Border Controller, it determines the matching (target) session agent and, after the local policy is examined, sets the new outbound session agent to the one from the selected target.

If the target session agent's realm is set to \*, the Oracle® Enterprise Session Border Controller retains the original session agent's realm ID. Because the target session agent does not have a realm ID defined, the original egress realm is retained.

## SIP Hosted NAT Traversal (HNT)

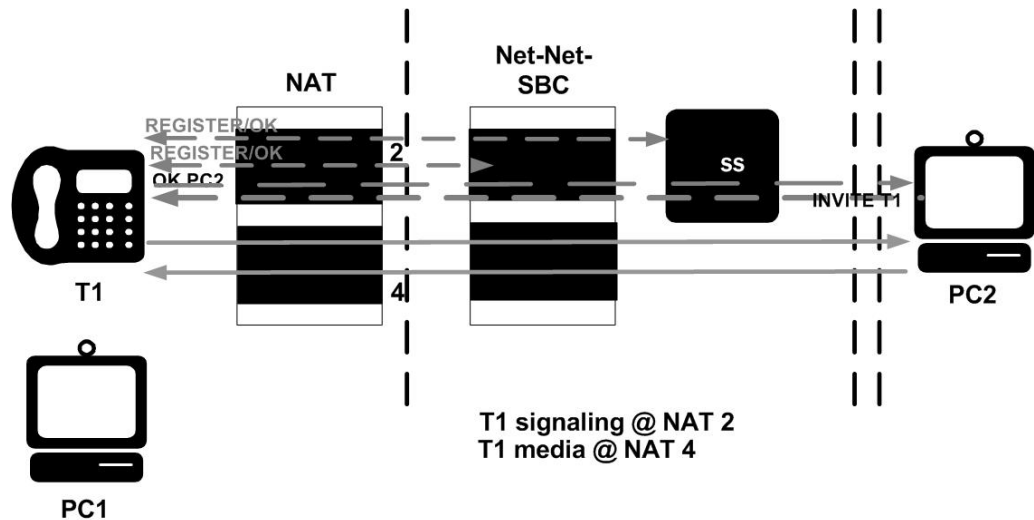
This section explains how to configure SIP Hosted Network Address Translation (HNT) traversal. SIP HNT lets endpoints behind a NAT/firewall device send and receive signaling and media using the Oracle® Enterprise Session Border Controller as a relay.

### About SIP HNT

SIP HNT is a technique the Oracle® Enterprise Session Border Controller uses to provide persistent reachability for SIP UAs located in private Local Area Networks (LANs) behind Nat/firewall devices. It relies on frequent, persistent messaging to ensure that the binding on the intermediary NAT device is not torn down because of inactivity. HNT does not require support for the NAT in the SIP endpoint.

The following diagram illustrates SIP HNT traversal.





The Oracle® Enterprise Session Border Controller's HNT function allows endpoints located behind NATs to communicate; providing means to traverse NATs. The Oracle® Enterprise Session Border Controller interacts with endpoints (using SIP) to allow persistent inbound and outbound signaling and media communications through these NATs.

The Oracle® Enterprise Session Border Controller automatically detects when an intermediate NAT exists between the UA and the Oracle® Enterprise Session Border Controller by comparing the Layer 3 IP address of a REGISTER message with the IP address indicated within the UA. The Oracle® Enterprise Session Border Controller sends signaling responses to the address and port that the request came from, rather than the address and port indicated in the request. The Via header in the request message indicates where the response should be sent.

## Using HNT with Existing NAT Device

For network architectures in which premise devices and endpoints reside behind an existing NAT device, the Oracle® Enterprise Session Border Controller's HNT function allows these premise NATs to be traversed without requiring an upgrade to the premise equipment, the deployment and management of additional premise-based hardware or software, or any NAT device configuration changes.

## Registering Endpoints

The Oracle® Enterprise Session Border Controller uses periodic endpoint registration messages to dynamically establish and maintain bindings in the NAT. These bindings keep a signaling port (port that is opened on a firewall to allow traffic to pass through it is a pinhole) open in the NAT that allows the inbound signaled communications to pass through. Using the endpoint registrations, the Oracle® Enterprise Session Border Controller then maps the Layer 3 (OSI network layer that deals with switching and routing technologies for data transmission between network devices) IPv4 address/port information from the NAT device to the Layer 5 (OSI session layer that deals with session and connection coordination between applications) entity (for example, user name or phone number) behind the NAT so that when an incoming signaling message is received, the Oracle® Enterprise Session Border Controller sends it to the appropriate address and port on the NAT for the called party.

## Establishing Media Flows

During call setup, the ports for bidirectional media flows are established dynamically. Since the media flows also pass through the Oracle® Enterprise Session Border Controller, it can identify the IPv4 address/port information on the NAT device used for the outgoing media coming from the user name/phone number. The Oracle® Enterprise Session Border Controller then uses that same NAT's IPv4 address/port information to send incoming media to the correct user name/phone number behind the NAT device.

## Prerequisites

In order to achieve HNT, the endpoints involved must be capable of:

- symmetric signaling: sending and receiving SIP messages from the same transport address (IP address or User Datagram Protocol/Transmission Control Protocol (UDP/TCP) port
- symmetric media: sending and receiving Real-Time Transport Protocol (RTP) messages from the same UDP port

These conditions are required to allow signaling and media packets back through the NAT (through the bound external address and port). These packets must come from the address and port to which the outbound packet that created the NAT binding was sent. The NAT sends these inbound packets to the source address and port of the original outbound packet.

When SIP HNT is used, the Oracle® Enterprise Session Border Controller sends signaling responses to the address and port that the request came from rather than the address and port indicated in the request. The Via header in the request message indicates where the response should be sent.

## Keeping the NAT Binding Open

Additional measures are also required to keep the NAT binding open because most NAT bindings are discarded after approximately a minute of inactivity. The Oracle® Enterprise Session Border Controller keeps the SIP NAT binding open by returning a short expiration time in REGISTER responses that forces the endpoint to send frequent REGISTER requests.

In order to keep the NAT binding open for SIP, the Oracle® Enterprise Session Border Controller maintains the registration state. When an endpoint first registers, the Oracle® Enterprise Session Border Controller forwards that REGISTER message on to the real registrar. You can define the real registrar using either of the following methods:

- Configure the SIP config registrar host and registrar port to indicate the real registrar.
- Map the SIP config registrar host and registrar port values to the SIP NAT home proxy address and home proxy port values. Then configure the SIP NAT's external proxy address and external proxy port values to correspond to the real registrar.

**Note:**

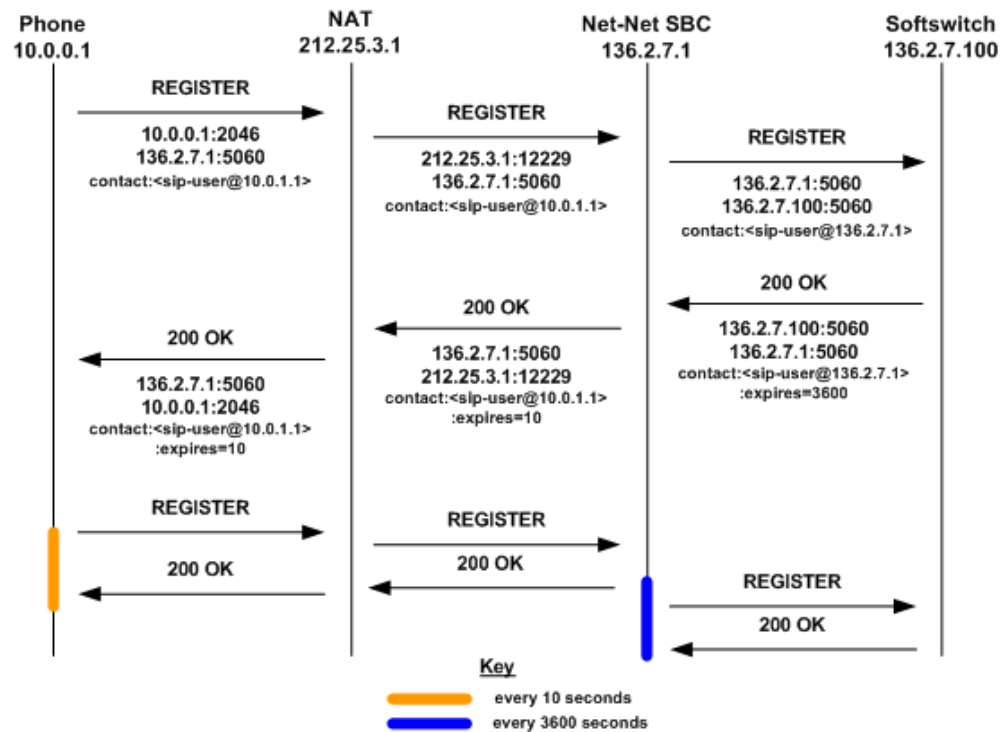
A registrar can be located in a SIP NAT realm.

When a successful response is received, the Oracle® Enterprise Session Border Controller caches the registration to memory. This cached registration lives for the length of time indicated by the expiration period defined in the REGISTER response message from the registrar. The response sent back to the endpoint has a shorter expiration time (defined by the SIP config's NAT interval) that causes the endpoint to send another REGISTER message within that interval. If the endpoint sends another REGISTER message before the cached registration expires, the Oracle® Enterprise Session Border Controller responds directly to the endpoint. It does not forward the message to the real registrar.

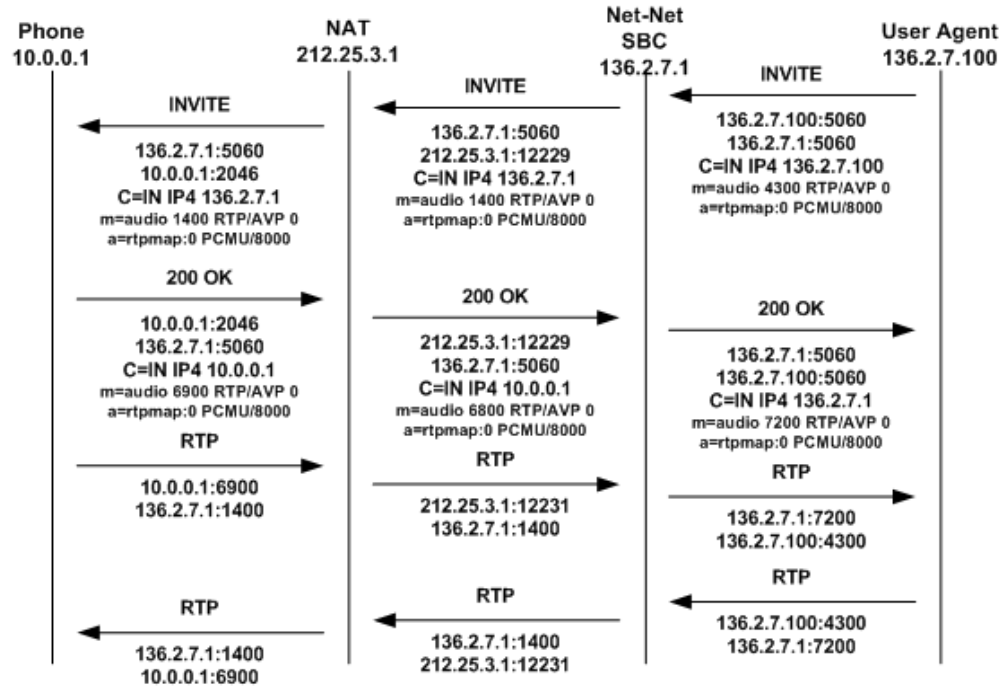
If the cached registration expires within the length of time indicated by the NAT interval, the REGISTER message is forwarded to the real registrar. If the Oracle® Enterprise Session Border Controller does not receive another REGISTER message from the endpoint within the length of time indicated by the NAT interval, it discards the cached registration.

The Contact Uniform Resource Identifier (URI) in the REGISTER message sent to the registrar by the Oracle® Enterprise Session Border Controller points at the Oracle® Enterprise Session Border Controller so that the proxy associated with the real registrar sends inbound requests to the Oracle® Enterprise Session Border Controller. This way, the inbound requests can be forwarded to the endpoint through the NAT binding.

The following example illustrates the SIP HNT registration call flow for the SIP HNT feature.



The following example illustrates the SIP HNT invitation call flow for the SIP HNT feature.



## Working with Multiple Domains

You can use a wildcard (\*) with the HNT feature to accommodate multiple domains and to allow the Oracle® Enterprise Session Border Controller to cache all HNT endpoints. The wildcard functionality is enabled in the SIP config by entering an asterisk (\*) in the registrar domain and registrar host fields.

The wildcard allows the use of either a local policy or Domain Name Service (DNS) to resolve the domain name to the correct registrar. Either method can be used to route the Fully Qualified Domain Name (FQDN) when you enter an asterisk (\*) for the registrar host. An FQDN consists of an unlimited number of domain labels (domain names), each separated by a dot (.). The FQDN can include the top level domain name (for example, acmepacket.com).

In the hostname acme-packet.domainlbl.example100.com, the syntax is as follows:

- acme-packet is a domain label
- domainlbl is a domain label
- example100 is a domain label
- com is the top label

The information configured in a local policy is used before DNS is used. If the next hop destination address (defined in the local policy's next hop field) is an IPv4 address, a DNS server is not needed. A DNS server is needed when the IPv4 address of the next hop destination address is a FQDN or cannot be determined from the Oracle® Enterprise Session Border Controller's configuration. Even with a configured local policy, the next hop destination address might be an FQDN that requires a DNS lookup.

If the registrar host does not use the wildcard, the Oracle® Enterprise Session Border Controller always uses the configured address. You can limit the number of endpoints

that receive the HNT function. For example, you can use a non-wildcarded registrar domain field value (like acme.com) with a wildcarded registrar host field value.

## HNT Configuration Overview

To configure SIP HNT NAT traversal, you need to configure both the SIP interface and the SIP config.

### SIP HNT Single Domain Example

The following example shows values entered for the SIP config and SIP interface elements to configure SIP HNT for a single domain and registrar.

- SIP config

Parameter	Sample Value
registrar domain	netnetsystem.com
registrar host	192.168.12.1
registrar port	5060

- SIP interface

Parameter	Sample Value
NAT traversal	always
NAT interval	60
minimum registration expire	200
registration caching	disabled
route to registrar	enabled

### SIP HNT Multiple Domain Example

The following example shows values entered for the SIP config and SIP interface elements to configure SIP HNT for a multiple domains and multiple registrars.

- SIP config

Parameter	Sample Value
registrar domain	*
registrar host	*
registrar port	0

- SIP interface

Parameter	Sample Value
NAT traversal	always
NAT interval	60
minimum registration expire	200
registration caching	disabled
route to registrar	enabled

## HNT Configuration

To configure a SIP interface on the Oracle® Enterprise Session Border Controller (E-SBC):

1. In Superuser mode, type **configure terminal** and press Enter.

```
ORACLE# configure terminal
```

2. Type **session-router** and press Enter to access the system-level configuration elements.

```
ORACLE(configure)# session-router
```

3. Type **sip-interface** and press Enter. The system prompt changes to let you know that you can begin configuring individual parameters.

```
ORACLE(session-router)# sip-interface
ORACLE(sip-interface)#
```

From this point, you can configure sip-interface parameters. To view all sip-interface parameters, enter a **?** at the system prompt.

4. **nat-traversal**—Define the type of HNT enabled for SIP. The default value is **none**. Available values include:

- **none**—Disables the HNT feature for SIP (default value)
- **rport**—SIP HNT function only applies to endpoints that include the rport parameter in the Via header and the sent-by of the topmost VIA matches the Contact-URI host address, both of which must be different from the received Layer 3 address.
- **always**—SIP HNT applies to requests when the sent-by of the topmost VIA matches the Contact-URI host address, both of which must be different from the received Layer 3 address. (Even when the rport parameter is not present.)

5. **nat-interval**—Set the expiration time in seconds for the E-SBC's cached registration entry for an HNT endpoint. The default value is **30**. The valid range is:

- Minimum—0
- Maximum—999999999

Acme Packet recommends setting the NAT interval to one-third of the NAT binding lifetime. A NAT binding lifetime is the network connection inactivity timeout. The value is configured (or hardwired) in the NAT device (firewall). This timer is used to prevent the NAT device from keeping an unused port open.

6. **registration-caching**—Enable for use with all UAs, not just those that are behind NATs. By default, this field is set to **disabled**. If enabled, the E-SBC caches the Contact header in the UA's REGISTER request when it is addressed to one of the following:

- E-SBC

- registrar domain value
- registrar host value

The E-SBC then generates a Contact header with the E-SBC's address as the host part of the URI and sends the REGISTER to the destination defined by the registrar host value.

Whether or not SIP HNT functionality is enabled affects the value of the user part of the URI sent in the Contact header:

- **enabled**—The E-SBC takes the user part of the URI in the From header of the request and appends a cookie to make the user unique. A cookie is information that the server stores on the client side of a client-server communication so that the information can be used in the future.
- **disabled**—The user part of the Contact header is taken from the URI in the From header and no cookie is appended. This is the default behavior of the Oracle® Enterprise Session Border Controller.

When the registrar receives a request that matches the address-of-record (the To header in the REGISTER message), it sends the matching request to the E-SBC, which is the Contact address. Then, the v forwards the request to the Contact-URI it cached from the original REGISTER message.

7. **min-reg-expire**—Set the time in seconds for the SIP interface. The value you enter here sets the minimum registration expiration time in seconds for HNT registration caching. The default value is **300**. The valid range is:

- Minimum—1
- Maximum—999999999

This value defines the minimum expiration value the E-SBC places in each REGISTER message it sends to the real registrar. In HNT, the E-SBC caches the registration after receiving a response from the real registrar and sets the expiration time to the NAT interval value.

Some UAs might change the registration expiration value they use in subsequent requests to the value specified in this field. This change causes the E-SBC to send frequent registrations on to the real registrar.

8. **registration-interval**—Set the E-SBC's cached registration entry interval for a non-HNT endpoint. Enter the expiration time in seconds that you want the E-SBC to use in the REGISTER response message sent back to the UA. The UA then refreshes its registration by sending another REGISTER message before that time expires. The default value is **3600**. The valid range is:

- Minimum—1

A registration interval of zero causes the E-SBC to pass back the expiration time set by and returned in the registration response from the registrar.

- Maximum—999999999

If the expiration time you set is less than the expiration time set by and returned from the real registrar, the E-SBC responds to the refresh request directly rather than forwarding it to the registrar.

 **Note:**

With registration caching, there is no NAT; therefore, a short registration interval causes the UA to send excess REGISTER messages.

Although the registration interval applies to non-HNT registration cache entries, and the loosely related NAT interval applies to HNT registration cache entries, you can use the two in combination. Using a combination of the two means you can implement HNT and non-HNT architectures on the same E-SBC. You can then define a longer interval time in the registration interval field to reduce the network traffic and load caused by excess REGISTER messages because there is no NAT binding to maintain.

9. **route-to-registrar**—Enable routing to the registrar to send all requests that match a cached registration to the destination defined for the registrar host; used when the Request-URI matches the registrar host value or the registrar domain value, not the SBC's address. Because the registrar host is the real registrar, it should send the requests back to the E-SBC with the E-SBC's address in the Request-URI. The default value is **disabled**. The valid values are:

- enabled | disabled

For example, you should enable routing to the registrar if your network uses a E-SBC and needs requests to go through its service proxy, which is defined in the registrar host field.

## Global SIP Configuration

To configure the SIP configuration:

1. In Superuser mode, type **configure terminal** and press Enter.

```
ORACLE# configure terminal
```

2. Type **session-router** and press Enter to access the system-level configuration elements.

```
ORACLE(configure)# session-router
```

3. Type **sip-config** and press Enter. The system prompt changes to let you know that you can begin configuring individual parameters.

```
ORACLE(session-router)# sip-config
ORACLE(sip-config)#
```

From this point, you can configure SIP config parameters. To view all SIP config parameters, enter a **?** at the system prompt.

4. **registrar-domain**—Optional. Define the domain to match against the host part of a URI to determine if a request is addressed to the registrar. If there is a match, the registration caching, NAT traversal, and route to registrar parameter values for the SIP interface are applied to the request. By default, this field remains empty. Available values are:



- an asterisk (\*) to specify the values apply to all requests.
- any alphanumeric character or any combination of alphanumeric characters. For example, acme1.com.

A hostname consists of any number of domain labels, separated by dots (.), and one top label. A top label is the last segment of the hostname. It must start with an alphabetical character. After the first character, a top label can consist of any number or combination of alphanumeric characters, including those separated by dashes. The dash must be preceded and followed by alphanumeric characters. A single alphabetical character is the minimum requirement for a hostname field (for example, c to indicate .com).

When the REGISTER message's Request-URI has an FQDN, it is matched against the registrar domain's value to determine if the message needs to be forwarded to the registrar port on the registrar host. The registrar domain's value is also used when route to registrar is set to enabled, to determine if a request needs to be forwarded to the registrar.

Only the right-hand part of the domain name in the Request-URI needs to match the registrar domain value. For example, acme3.acmepacket.com matches acmepacket.com. However, the entire domain label within the domain name must match. For example, the domain label "acme3.acmepacket.com" would not match packet.com.

**5. registrar-host**—Define the address of the registrar for which requests for registration caching, NAT traversal, and router to registrar options apply. You can use a specific hostname, a IP address, or a wildcard (\*):

- an asterisk (\*) indicates normal routing (local policy, DNS resolution, and so on) is used to determine the registrar's address.
- hostname: can consist of any alphanumeric character or any combination of alphanumeric characters (for example, acme1.com). The hostname can consist of any number of domain labels, separated by dots (.), and one top label. You can use the minimum field value of a single alphabetical character to indicate the top label value (for example, c to indicate .com).
- IPv4 address: must follow the dotted notation format. Each of the four segments can contain a numerical value between zero (0) and 255. For example, 192.168.201.2. An example of a invalid segment value is 256.

By default, the registrar host field remains empty.

**6. registrar-port**—Set the SIP registrar port number. The SIP registrar server configured in this and the registrar host field is the real registrar. Or the values entered in those fields map to the home proxy address and home proxy port of the SIP NAT with external proxy address and external proxy port values that correspond to the real registrar. The default value is 0. The valid range is:

- Minimum—0, 1025
- Maximum—65535

The following example shows the values for a single domain and registrar configuration.

```

sip-config
    state                               enabled
    operation-mode                       dialog
dialog-transparency                     disabled

```

```

home-realm-id          acme
egress-realm-id
nat-mode               Public
registrar-domain
registrar-host
registrar-port        0
init-timer             500
max-timer              4000
trans-expire          32
invite-expire         180
inactive-dynamic-conn 32
red-sip-port          1988
red-max-trans         10000
red-sync-start-time   5000
red-sync-comp-time    1000
last-modified-date    2005-03-19 12:41:28

```

## Keep-Alive with CR LF 2832

Release S-CX6.3F1 provides an alternative NAT (Network Address Translator) Traversal method. The current method is SBC-based and requires no explicit participation by the SIP endpoint. Rather the SBC manipulates SIP registration requests and responses to the endpoint — causing it to issue frequent and extraneous registration requests thus maintaining existing NAT bindings.

The alternative method is based upon RFC 5626, *Managing Client-Initiated Connections in the Session Initiation Protocol (SIP)*, and RFC 6223. Unlike the current SBC-centric method, the new alternative requires the active participation of the SIP endpoint. With this method the SIP endpoint and the SBC negotiate a request / response message sequence which generates sufficient traffic flow to maintain NAT bindings.

Section 3.5.2 of RFC 5626 defines a keep-alive method for connectionless UDP flows, but provides no guidance for keep-alive negotiation. The Indication of Support for Keep-Alive internet draft addresses this deficiency by defining a procedure that enables a SIP endpoint to signal its capability and willingness to send and receive periodic keep-alive messages to a device referred to by the RFC as an edge proxy, a role performed by the SBC. After receiving such a signal, the SBC returns a response indicating its willingness to exchange keep-alives, and specifying the frequency of the exchange.

SIP endpoints that initiate and participate in the keep-alive exchanges described in this section must support a minimal sub-set of client operations. Specifically, endpoints must be able to construct and transmit CR/LF binding requests, and receive and parse CR/LF binding responses. Binding request and response formats are described in Section 6 of RFC 5626.

As shown in the following SIP Registration request, the SIP endpoint, functioning as a CR/LF client, signals its willingness to exchange keep-alive messages by placing an unvalued keep parameter, newly-defined by the [RFC] 6223 in the SIP Via header. The expires parameter in the Contact header requests a registration period of 5 hours (18000 seconds).

```

REGISTER sip:512@172.16.101.23:5060 SIP/2.0
Via: SIP/2.0/UDP 172.16.101.38:5070;branch=ddl;keep

```

```
From: "512" <sip:512@172.16.101.38:5070;transport=UDP>;tag=443322
To: "512" <sip:512@172.16.101.38:5070>
Call-ID:1-14400@172.16.101.38
CSeq: 1 REGISTER
Max-Forwards: 70
User-Agent: ADTRAN_Total_Access_908e_(2nd_Gen)/A1.02.00.E
Content-Length: 0
```

The SBC forwards the Registration request (absent the keep parameter) to the Registrar.

```
REGISTER sip:512@192.168.7.32:5060 SIP/2.0
Via: SIP/2.0/UDP
192.168.101.23:5060;branch=z9hG4bK3q43klh3dafekdepnbaqip04e1
From: "512" <sip:512@172.16.101.38:5070;transport=UDP>;tag=443322
To: "512" <sip:512@172.16.101.38:5070>
Call-ID: 1-14400@172.16.101.38
CSeq: 1 REGISTER
Max-Forwards: 69
Contact: "512" <sip:512@192.168.101.23:5060;transport=udp>;expires:18000
User-Agent: ADTRAN_Total_Access_908e_(2nd_Gen)/A1.02.00.E
Content-Length: 0
Allow: ACK, BYE, CANCEL, INFO, INVITE, NOTIFY, OPTIONS, REFER
```

The Registrar indicates successful registration with a 200 OK response back to the SBC. The expires parameter in the Contact header grants a registration period of 1 hour (3600 seconds).

```
SIP/2.0 200 OK
Via: SIP/2.0/UDP
192.168.101.23:5060;branch=z9hG4bK3q43klh3dafekdepnbaqip04e1
From: "512" <sip:512@172.16.101.38:5070;transport=UDP>;tag=443322
To: "512"
<sip:512@172.16.101.38:5070>;tag=b68b3d53a5a90225609112ff6c211bef.16a6
Call-ID: 1-14400@172.16.101.38
CSeq: 1 REGISTER
Contact: <sip:512@192.168.101.23:5060;transport=udp>;expires=3600
Server: OpenSER (1.3.0-notls (i386/linux))
Content-Length: 0
```

The SBC, forwards the 200 OK to the endpoint after inserting a keep parameter and a parameter value in the Via header of the Registration response. The presence of the keep parameter signals the SBC's willingness to exchange keep-alives, and the parameter value specifies the exchange frequency in seconds.

```
SIP/2.0 200 OK
Via: SIP/2.0/UDP 172.16.101.38:5070;branch=ddl;keep=20
From: "512" <sip:512@172.16.101.38:5070;transport=UDP>;tag=443322
To: "512"
<sip:512@172.16.101.38:5070>;tag=b68b3d53a5a90225609112ff6c211bef.16a6
Call-ID: 1-14400@172.16.101.38
CSeq: 1 REGISTER
Contact: <sip:512@172.16.101.38:5070>;expires=3600
```

```
Server: OpenSER (1.3.0-notls (i386/linux))
Content-Length: 0
```

After the keep-alive exchange has been negotiated, the SIP endpoint, acting as a CR/LF client, is required to transmit a periodic CR/LF so that the interval between each request is randomly distributed between 80 and 100 percent of the value of the keep parameter. Assuming a parameter value of 20 seconds, for example, the SIP endpoint transmits a CR/LF at random intervals between 16 and 20 seconds in length.

Upon receipt of a Ping, the SBC, transmits a Pong. Receipt of the Pong by the endpoint confirms the TCP connection between the endpoint and the SBC, and the viability of NAT bindings in the transmission path.

Once initiated, endpoint transmission of CR/LF Ping and SBC responses continue for the duration of the SIP Registration, 1 hour in the above example, or until the endpoint transmits a new Registration request. In the event of such a request, the endpoint must once again indicate its willingness to exchange CR/LF keep-alives with an unvalued keep parameter in the Via header. If keep-alive renegotiation is not successful, the endpoint must cease the transmission of keep-alive messages.

An endpoint failure to issue a timely CR/LF Ping is not fatal. In the absence of an expected request, the SBC takes no action with regard to the TCP connection, or to established sessions.

## Keep-alive Configuration

You use the **register-keep-alive** attribute, available in SIP Interface configuration mode, to enable CR/LF keep-alive on a SIP interface.

1. In Superuser mode, use the following ACLI command sequence to access SIP Interface configuration mode.

```
ORACLE# configure terminal
ORACLE(configure)# session-router
ORACLE(session-router)# sip-interface
ORACLE(sip-interface)#
```

2. The **register-keep-alive** attribute enables CR/LF keep-alive on the current SIP interface.

none — (the default) disables CR/LF keep-alive

always — assuming that the endpoint has included the keep parameter in the Via header, exchange CR/LF keep-alives with that endpoint

bnat — assuming that the endpoint has included the keep parameter in the Via header, exchange CR/LF keep-alives only with endpoints that are behind an intervening NAT device (based on comparing source IP packet addresses with IP addresses extracted from the SIP request).

```
ORACLE(sip-interface)# register-keep-alive always
```

```
ORACLE(sip-interface)#
```

3. If CR/LF keep-alive is enabled on the current SIP interface (**register-keep-alive** is always or hint), use the **tcp-nat-interval** attribute to specify the value of the keep parameter provided by the SBC to the SIP endpoint.

In the absence of an explicit assignment, this attribute defaults to a value of 30 seconds.

The SIP endpoint transmits periodic CR/LF Ping so that the interval between each request is randomly distributed between 80 and 100 percent of the value of the `tcp-nat-interval` attribute.

Assuming the default value (30 seconds) the interval between CR/LF binding requests would vary from 24 to 30 seconds.

```
ORACLE(sip-interface)# nat-interval 20
```

```
ORACLE(sip-interface)#
```

4. Use **done**, **exit**, and **verify-config** to complete this configuration.
5. Save and activate your configuration.

## SIP Registration Local Expiration

When you deploy multiple Oracle® Enterprise Session Border Controllers (E-SBC) in series and they have registration caching and HNT configured, registration cache entries might expire prematurely in instances with several devices provisioned with the same address of record (AoR). Now you can configure a SIP interface option to prevent the premature expiration.

When you use registration caching and HNT, the E-SBC adjusts the expiration time it sends to user agents (UAs) in REGISTER responses based on the registration interval you configure. It can be the case that a SIP user has multiple registered contact endpoints at the UA to which a response is sent. If the URI in the Contact contains the UA's address and that UA included the Contact in the REGISTER request, then the Contact is seen as exclusively belonging to that UA. In the REGISTER response, this Contact (exclusive to the UA) includes the local expiration time, a time based on the SIP interface configuration's registration or NAT interval value. Additional Contacts (not exclusive to the UA) in the REGISTER response have the expiration time from the REGISTER response the registrar sent to the E-SBC.

It is this default behavior can cause registration cache entries to expire prematurely in the E-SBC nearest a registrar when multiple E-SBCs are deployed in series. Multiple registering UAs for a single SIP user, for example, might trigger the early expiration. The SIP you can configure an option per SIP interface that causes the E-SBC to send the local registration expiration time in all in the Expires parameter of all Contact headers included in REGISTER responses sent from the SIP interface.

## SIP Registration Local Expiration Configuration

You can configure this feature either for the global SIP configuration, or for an individual SIP interface.

To configure SIP registration local expiration for the global SIP configuration:

1. In Superuser mode, type **configure terminal** and press Enter.

```
ORACLE# configure terminal
ORACLE(configure)#
```

2. Type **session-router** and press Enter.

```
ORACLE(configure)# session-router
ORACLE(session-router)#
```

3. Type **sip-config** and press Enter. If you are editing an existing configuration, select the configuration so you can enable this feature.

```
ORACLE(session-router)# sip-config
ORACLE(sip-config)#
```

4. **options**—Set the options parameter by typing **options**, a Space, the option name **reg-local-expires** with a plus sign in front of it, and then press Enter.

```
ORACLE(sip-config)# options +reg-local-expires
```

**If you type options** and then the option value for either of these entries **without the plus sign, you will overwrite any previously configured options. In order to append the new option to this configuration's options list, you must prepend the new option with a plus sign as shown in the previous example.**

5. Save and activate your configuration.

To configure SIP registration local expiration for an individual SIP interface:

6. In Superuser mode, type **configure terminal** and press Enter.

```
ORACLE# configure terminal
ORACLE(configure)#
```

7. Type **session-router** and press Enter.

```
ORACLE(configure)# session-router
ORACLE(session-router)#
```

8. Type **sip-interface** and press Enter. If you are editing an existing configuration, select the one on which you want to enable this feature.

```
ORACLE(session-router)# sip-interface
ORACLE(sip-interface)#
```

9. **options**—Set the options parameter by typing **options**, a Space, the option name **reg-local-expires** with a plus sign in front of it, and then press Enter.

```
ORACLE(sip-interface)# options +reg-local-expires
```

**If you type options** and then the option value for either of these entries **without the plus sign, you will overwrite any previously configured options. In order to append the new option to this configuration's options list, you must prepend the new option with a plus sign as shown in the previous example.**

10. Save and activate your configuration.

## Simultaneous TCP Connection and Registration Cache Deletion

You can configure the Oracle® Enterprise Session Border Controller to automatically start a timer when a user deregisters or changes location by registering with a new contact address.

Not all devices tear down TCP connections associated with these old addresses when a user registers with a new contact address.

### Registration Cache Deletion Configuration

You can apply **suppress-reinvite** to the sip-interface facing the User Agents whose re-INVITEs are to be responded to locally.

To enable Registration Cache Deletion:

1. In Superuser mode, type **configure terminal** and press Enter.

```
ORACLE# configure terminal  
ORACLE(configure)#
```

2. Type **session-router** and press Enter.

```
ORACLE(configure)# session-router  
ORACLE(session-router)#
```

3. Type **sip-interface** and press Enter. If you are adding this feature to a pre-existing configuration, you will need to select and edit it.

```
ORACLE(session-router)# sip-interface  
ORACLE(sip-interface)#
```

4. **tcp-conn-dereg**—The delay (in seconds) that is used to determine when to terminate the TCP connection for a user that has been removed from the registration cache or changed location. This feature can be disabled by setting the value to zero.

```
ORACLE(session-agent)# tcp-conn-dereg 5300
```

5. Save your work.

## SBC Incorrectly Appends Cookie in SIP REGISTER Message

The Oracle® Enterprise Session Border Controller does not recognize a SIP URI containing tel-URI information if it doesn't also contain a "user=phone" parameter. This behavior adversely affects creation of the acme\_nat tag and placement of the cookie

You can enable the option **proces-implicit-tel-URI** to recognize an implicit tel-URI and places the cookie in the correct location.

## process-implicit-tel-URI Configuration

To enable process-implicit-tel-URI

1. In Superuser mode, type **configure terminal** and press Enter.

```
ORACLE# configure terminal
ORACLE(configure)#
```

2. Type **session-router** and press Enter.

```
ORACLE(configure)# session-router
ORACLE(session-router)#
```

3. Type **sip-config** and press Enter.

```
ORACLE(session-router)# sip-config
ORACLE(sip-config)#
```

4. **options**—Set the options parameter by typing **options**, a Space, the option-name **process-implicit-tel-URI** with a plus sign in front of it, and then press Enter.

```
ORACLE(sip-config)# options +process-implicit-tel-URI
```

If you type the option without the plus sign, you will overwrite any previously configured options. In order to append the new options to the SIP interface configuration's options list, you must prepend the new option with a plus sign as shown in the previous example.

5. Save and activate your configuration.

## SIP HNT Forced Unregistration

If you use HNT and experience the issue explained in this section, consider using the Oracle® Enterprise Session Border Controller (E-SBC) forced unregistration feature. When this feature is enabled and a registration entry for an endpoint expires, the E-SBC notifies the soft switch to remove this binding using REGISTER message. In that REGISTER message, the expires header will be set to 0 and the expires parameter in the Contact header will also be set to 0.

The benefits of using forced unregistration include:

- Leveraging existing HNT configuration to provide near real-time information about the UA's status to the registrar/softswitch
- Preserving resource utilization for the E-SBC and the softswitch by deleting a contact binding that is no longer valid or needed
- Preventing extra bindings from being generated at the softswitch (e.g., in instances when the UA or NAT restart)

This feature applies to:

- HNT endpoints with registration caching enabled by default, and when the **nat-traversal** parameter in the SIP interface configuration is set to always



- non-HNT endpoints with registration caching enabled, when the registration-interval parameter in the SIP interface configuration is used in the expires header sent to the UA in the 200 OK

## When to Use Forced Unregistration

For typical HNT use, it is common that the registration interval between the client UA and the Oracle® Enterprise Session Border Controller (E-SBC) is between 60 and 120 seconds. This differs significantly from the re-registration interval between the E-SBC and the registrar, which varies from approximately 30 to 60 minutes.

If the UA fails to refresh its registration, the contact binding at the E-SBC is deleted after the registration expires. This expiration is determined by the expires= header in the 200 OK. The binding at the real registrar will remain intact. This creates a discrepancy between the real state of the UA and state of the softswitch. In the best case scenario, the contact binding expires at the softswitch after a few minutes.

For network management, this discrepancy can be problematic because the service provider would be unaware of the UA's status until the binding expires at the softswitch. This can take a considerable amount of time to happen.

In addition, the E-SBC encodes a cookie in the userinfo of the Contact header in the REGISTER message. This is a function of the source IPv4 address and port from which the request came, i.e., the ephemeral port in the NAT for DSL scenarios. Therefore, additional bindings that remain for long periods of time are created at the registrar if, for example, the:

- UA reboots
- Ethernet link between the UA and the DSL router is lost for over two minutes
- DSL crashes
- DSL/ATM layer between the DSL router

## Caution for Using Forced Unregistration

You should use caution when applying SIP HNT forced unregistration for the following reasons:

- It can have an impact on the performance of your Oracle® Enterprise Session Border Controller and the registrar, especially when you have a large number of HNT endpoints in your configuration that become unavailable simultaneously.
- It is possible that the registrar might become vulnerable to overload in the case where the registrar must authenticate a large number of register messages generated when HNT endpoints are de-registered. It is possible that the cached registration credentials might become “stale” over time (e.g., the nonce value usually has a limited lifetime). Without proper credentials, the registrar will reject the de-registrations.

Given these concerns, we recommend that you consult with your Oracle systems engineer before adopting the use of forced unregistration.

## SIP HNT Forced Unregistration Configuration

To enable SIP HNT forced unregistration:

1. In Superuser mode, type **configure terminal** and press Enter.

```
ORACLE# configure terminal
```

2. Type **session-router** and press Enter to access the **session-router** path.

```
ORACLE(configure)# session-router
```

3. Type **sip-config** and press Enter. The system prompt changes to let you know that you can begin configuring individual parameters.

```
ORACLE(session-router)# sip-config
```

4. Use the ACLI **select** command so that you can work with the SIP configuration.

```
ORACLE(sip-config)# select
```

5. **options**—Set the options parameter by typing **options**, a Space, the option name **force-unregistration**, and then press Enter.

```
ORACLE(sip-config)# options +force-unregistration
```

**If you type options force-unregistration, you will overwrite any previously configured options. In order to append the new option to the sip-config's options list, you must prepend the new option with a plus sign as shown in the previous example.**

## Adaptive HNT

This section explains how to configure adaptive HNT. The adaptive HNT expires feature allows the Oracle® Enterprise Session Border Controller to automatically determine the maximum SIP REGISTER message expires time interval in order to keep each individual NAT pinhole open when performing SIP HNT. This feature applies only to SIP over UDP.

### Overview

Without adaptive HNT, the Oracle® Enterprise Session Border Controller keeps NAT pinholes open and port mapping cached by forcing the UAC to send frequent SIP REGISTER messages. It does so by setting the expires time to a short interval. Some NATs only need a message to be sent by the private client once every twenty minutes, while other NATs delete their cache/pinhole in thirty seconds if no messages appear. Given this large variation in time intervals, the Oracle® Enterprise Session Border Controller's **nat-interval** (expire time), set on the applicable **sip-interface**, has been set to a low value in order to support as many NAT types as possible. However, CPU performance and scalability issues result from such a small refresh time, especially when there is a very large number of potential registered users.

When you use adaptive HNT, the Oracle® Enterprise Session Border Controller waits for a time interval and then sends a SIP OPTIONS message to the UAC to see if it can still be reached. If the UAC can still be reached, the Oracle® Enterprise Session Border Controller increases the timer and tries again. In case the pinhole closes because it has exceeded the NAT's cache time, the Oracle® Enterprise Session

Border Controller sets the expires time to be slightly longer than the time it tests using the OPTIONS method. This way, the UAC will send another REGISTER message shortly thereafter and impact on service will be minimal.

## Adaptive HNT Example

An example call flow using adaptive HNT involves a basic HNT user and a Oracle® Enterprise Session Border Controller. It begins when the Oracle® Enterprise Session Border Controller receives and forwards the 200 OK for the REGISTER message. Then the Oracle® Enterprise Session Border Controller sends an expires timer for slightly longer than the time for which to test; in this example, it begins the test for the amount of time set for the minimum NAT interval, specified by the **nat-interval** set on the applicable **sip-interface**. It adds ten seconds to this time when it sends the expires timer. This way, there is time for the OPTIONS message to be sent before the REGISTER message is received (which would refresh the NAT's cache). The Oracle® Enterprise Session Border Controller also tries to keep the REGISTER time short enough so that even if the NAT pinhole closes, there is minimal time before the UAC creates a new NAT binding by sending another REGISTER. Because a ten second interval may be too long, you might want to set this value to a better-suited time.

The test succeeds with a minimum test-timer because the UAC responded to the OPTIONS message. So the test-timer value is increased by thirty seconds and tried again. The expires time in the REGISTER message will be increased to the test-timer value plus ten seconds. This time, the UAC does not respond to the OPTIONS message even though it was sent multiple times. Because the OPTIONS fails, when the Oracle® Enterprise Session Border Controller receives another REGISTER, it responds with the previously successful timer value (in this case, the minimum NAT interval).

However, if the OPTIONS request succeeds, then the Oracle® Enterprise Session Border Controller persists with the test until it fails or until the maximum NAT timer value is reached. In this case, when the OPTIONS message fails, the Oracle® Enterprise Session Border Controller uses the last successful test-timer value as the time for the expires header in the 200 OK for the REGISTER message.

## Synchronize A-HNT Successful Timer to Standby

Adaptive HNT enables the Oracle® Enterprise Session Border Controller to determine, through testing, an optimum SIP REGISTER expires time interval that keeps the NAT pinhole open. For an HA node, this successful time value is determined through testing by the active system and then replicated to the standby. If there is a switchover during the active system's testing process, then it will restart for that endpoint.

## Adaptive NHT Configuration

You configure the SIP interface to set the state of this feature and to define the increments of time the Oracle® Enterprise Session Border Controller uses to perform adaptive HNT. Remember that the Oracle® Enterprise Session Border Controller uses the time you specify as the NAT interval, the supported time interval, as the basis on which to begin testing.

To configure adaptive HNT:

1. In Superuser mode, type **configure terminal** and press Enter.

```
ORACLE# configure terminal
```

2. Type **session-router** and press Enter to access the **session-router** path.

```
ORACLE(configure)# session-router
```

3. Type **sip-interface** and press Enter. The system prompt changes to let you know that you can begin configuring individual parameters.

```
ORACLE(session-router)# sip-interface
```

4. **sip-dynamic-hnt**—Enable this parameter if you want to use adaptive HNT. The default value is **disabled**. The valid values are:
  - enabled | disabled
5. **max-nat-interval**—Set the amount of time in seconds that testing should not exceed. The Oracle® Enterprise Session Border Controller will keep the expires interval at this value. The default value is **3600**. The valid range is:
  - Minimum—0
  - Maximum—999999999
6. **nat-int-increment**—Set the amount of time in seconds to use as the increment in value in the SIP expires header. The default value is **10**. The valid range is:
  - Minimum—0
  - Maximum—999999999
7. **nat-test-increment**—Set the amount of time in seconds that will be added to the test timer. The default value is **30**. The valid range is:
  - Minimum—0
  - Maximum—999999999

## SIP IP Address Hiding and NATing in XML

Adding to its topology hiding and NAT capabilities, the Oracle® Enterprise Session Border Controller now performs those functions for pertinent IP addresses that are not part of the standard SIP message header format. Previously, such addresses were visible to the next hop in the SIP session path.

Note that this feature adds to the Oracle® Enterprise Session Border Controller's pre-existing ability to perform this function for XML messages; this new support is specifically for the keyset-info message type.

For incoming SIP NOTIFY messages, the Oracle® Enterprise Session Border Controller searches for the application/keyset-info+xml content type in the message. When it finds this content type, it searches further to detect the presence of <di:remote-uri> or <di:local-uri> XML tags and then NATs the IP addresses in the tags it finds. Specifically, the Oracle® Enterprise Session Border Controller changes:

- The <di:remote-uri> IP address to be the egress SIP interface's IP address

- The <di:local-uri> IP address to be the Ip address of the next hop to which the message is being sent

## Sample SIP NOTIFY with NATed XML

The following is a sample SIP NOTIFY message as it might arrive at the Oracle® Enterprise Session Border Controller.

### Note:

that it contains the <di:remote-uri> or <di:local-uri> XML tags on which the system will perform NAT; these lines appear in bold text.

```
NOTIFY sip:15615281021@10.152.128.253:5137;transport=udp SIP/2.0
To: 15615281021
<sip:15615281021@10.152.128.102:5080>;tag=5c93d019904036a
From: <sip:15615281021@10.152.128.102:5080>;tag=test_tag_0008347766
Call-ID: 3215a76a979d0c6
CSeq: 18 NOTIFY
Contact: <sip:15615281021@10.152.128.102:5080;maddr=10.152.128.102>
Via: SIP/2.0/UDP 10.152.128.102:5060;branch=z9hG4bK_brancha_0023415201
Event: keyset-info
Subscription-state: active;expires=2778
Accept: application/keyset-info+xml
Content-Type: application/keyset-info+xml
Content-Length: 599
Max-Forwards: 70
<?xml version="1.0"?>
<keyset-info xmlns="urn:ietf:params:xml:ns:keyset-info"
  version="16"
  entity="15615281021">
  <ki-data>
    <ki-state>"active"</ki-state>
    <ki-event>"unknown"</ki-event>
  </ki-data>
  <di:dialog id="dialog_id_201"
call-id="1395216611-1987932283256611-11-0884970552" local-
tag="test_tag_0008347790" direction="recipient">
    <di:state>trying</di:state>
    <di:duration>2778</di:duration>
    <di:local-uri>sip:15615281021@10.152.128.253:5137</di:local-uri>
    <di:remote-uri>sip:1004@10.152.128.102</di:remote-uri>
  </di:dialog>
</keyset-info>
```

Once the Oracle® Enterprise Session Border Controller has completed the NAT process, the <di:remote-uri> and <di:local-uri> XML tags look like this

```
<di:local-uri>sip:15615281021@192.168.200.99:5137</di:local-uri>
<di:remote-uri>sip:1004@192.168.200.49</di:remote-uri>
```

because egress the SIP interface's IP address is 192.168.200.49 and the next hop's IP address is 192.168.200.99.

This feature does not require any configuration.

## SIP Server Redundancy

This section explains how to configure SIP server redundancy. SIP server redundancy involves detecting that an upstream/downstream SIP signaling entity has failed, and adapting route policies dynamically to remove it as a potential destination.

### Overview

You establish SIP server redundancy by creating session agents, which are virtual representations of the SIP signaling entities. These agents are then collected into a session agent group, which is a logical collection of two or more session agents that behaves as a single aggregate entity.

Rather than direct signaling messages to a single session agent (IP), the signaling message is directed to a session agent group (SAG). The group will have a set distribution pattern: hunt, round robin, proportionally distributed, and so on. Signaling is spread amongst the agents using this chosen pattern.

You direct the signaling message by configuring a route policy, known as a local policy, which determines where SIP REQUESTS should be routed and/or forwarded. The values in the To and From headers in the SIP REQUEST are matched with the content of the local policy within the constraints set by the session agent's previous hop value and SIP interface values such as the list of carriers.

To summarize, you need:

- two or more session agents
- a session group containing those session agents
- a local policy which directs traffic to the session agent group

### Configuration Overview

You make a session agent group a target by using a local policy to select the next hop from the members of a session agent group. You need to set the replace URI field of the configured local policy to enabled; which causes NAT rules such as realm prefixing to be overridden. The replace URI field allows you to indicate whether the local policy's value is used to replace the Request-URI in outgoing requests. This boolean field can be set to either enabled or disabled.

When the SIP NAT's route home proxy field is set to forced, it forces the Request to be forwarded to the home proxy without using a local policy. When this option is set to either disabled or enabled and the Request-URI matches the external address of the SIP NAT, the local policy is used.

However, the local policy only replaces the Request-URI when the original Request-URI matches the SBC's IP address or hostname. This behavior is in accordance with that described in RFC 3261. The original Request-URI will be the home proxy address value (the home address of the SIP NAT into the backbone) and not the Oracle® Enterprise Session Border Controller (E-SBC) address.

Using strict routing, the Request-URI would be the next hop, but the message would also include a Route header with the original Request-URI. With loose routing, the Request-URI remains unchanged and the next hop value is added as the top Route header.

Sometimes the next hop field value must replace the Request-URI in the outgoing request, even if the original Request-URI is not the E-SBCC. To accomplish this, an option has been added to the local policy that causes the next hop value to be used as the Request-URI and prevents the addition of Route headers. This option is the `replace uri` value in the local policy.

The following table lists the policy attributes for the local policy:

Parameter	Description
next hop	IP address of your internal SIP proxy. This value corresponds to the IP address of the network interface associated with the SIP proxy.
realm	Number of the port associated with the SIP port.
replace uri	Stores the transport protocol used for sending an receiving signaling messages associated with the SIP port.
allow anonymous	Indicates whether this SIP port allows anonymous connections from session agents.

 **Note:**

You should also define the ping method intervals for the session agents so that the E-SBC can detect when the agents are back in service after failure.

## SIP Server Redundancy Configuration

To enable replace URI:

1. In Superuser mode, type **configure terminal** and press Enter.

```
ORACLE# configure terminal
```

2. Type **local-policy** and press Enter to access the system-level configuration elements. The system prompt changes.

```
ORACLE(configure)# local-policy
ORACLE(local-policy)#
```

3. Type **policy-attributes** and press Enter. The system prompt changes.

```
ORACLE(local-policy)# policy-attributes
ORACLE(local-policy-attributes)#
```

From this point, you can configure policy attributes for the local policy. To see all local policy attribute options, enter a **?** at the system prompt.

4. **action**—Set this parameter to **replace-uri**, which causes NAT rules such as realm prefixing to be overridden. The default value is **none**. Valid values are:

- none | replace-uri | redirect

The replace URI field allows you to indicate whether the local policy's value is used to replace the Request-URI in outgoing requests. This boolean field can be set to either enabled or disabled.

## Administratively Disabling a SIP Registrar

The Oracle® Enterprise Session Border Controller's registration cache feature is commonly used to support authorization. It also allows the Oracle® Enterprise Session Border Controller to respond directly to SIP REGISTER requests from endpoints rather than forwarding every REGISTER message to the Registrar(s). In the Oracle® Enterprise Session Border Controller, Registrars are frequently configured as session agents, and an association between each endpoint and its Registrar is stored with the registration cache information.

In Release 4.0.1 and later, the **invalidate-registrations** parameter in the session agent configuration enables the Oracle® Enterprise Session Border Controller to detect failed Registrar session agents and automatically forward subsequent REGISTER requests from endpoints to a new Registrar. You can now perform the same behavior manually through a new CLI command. When you use this command, the Oracle® Enterprise Session Border Controller acts as though the registrations have expired.

For each SIP session agent, you can enable the manual trigger command, and then use the command from the main Superuser CLI prompt. The **reset session-agent** command provides a way for you to send a session agent offline. Session agents can come back online once they send 200 OK messages the Oracle® Enterprise Session Border Controller receives successfully.

Without using the manual trigger, session agents can go offline because of they do not respond to pings or because of excessive transaction timeouts. However, you might not want to use these more dynamic methods of taking session agents out of service (and subsequently invalidating any associated registrations). You can disable both of these mechanisms by setting the following parameters to 0:

- **ping-interval**—Frequency (amount of time in seconds) with which the Oracle® Enterprise Session Border Controller pings the entity the session agent represents)
- **ttr-no-response**—Dictates when the SA (Session Agent) should be put back in service after the SA is taken OOS (Out Of Service) because it did not respond to the Oracle® Enterprise Session Border Controller

However, you can still use the new SIP manual trigger even with these dynamic methods enabled; the trigger simply overrides the configuration to send the session agent offline.

## Considerations for Implicit Service Route Use

When implicit service route support is enabled for a SIP interface (in IMS applications), the Oracle® Enterprise Session Border Controller stores the Service Route URIs from the Service-Route headers that are included in 200 OK responses to REGISTER messages. Subsequently, and even when a session agent is rendered invalid, re-REGISTER messages follow the route stored in the cache instead of using the one defined in the Oracle® Enterprise Session Border Controller.



However, you might not want to use this behavior when you send session agents offline. If you instead want use the route defined in the Oracle® Enterprise Session Border Controller, then you need to configure the SIP interface option called **route-register-no-service-route**.

## Manual Trigger Configuration

This section shows you how to enable the manual trigger for sending session agents out of service, and how to then use the trigger from the command line. This section also shows you how to verify that you have successfully put a session agent out of service.

To enable a SIP session agent to manually trigger it to go out of service:

1. In Superuser mode, type **configure terminal** and press Enter.

```
ORACLE# configure terminal  
ORACLE(configure)#
```

2. Type **session-router** and press Enter to access the signaling-level configuration elements.

```
ORACLE(configure)# session-router  
ORACLE(session-router)#
```

3. Type **session-agent** and press Enter. The system prompt changes to let you know that you can begin configuring individual parameters.

```
ORACLE(session-router)# session-agent  
ORACLE(session-agent)#
```

If you are adding support for this feature to a pre-existing configuration, then you must select (using the ACLI **select** command) the configuration you want to edit.

4. **invalidate-registrations**—Set this parameter to enabled if you want to use the manual trigger to send this session agent offline (and therefore invalidate the registrations associated with it). The default is disabled.

5. Save and activate your configuration.

To use the manual trigger that sends session agents offline:

6. Note the hostname value (typically the IP address of the endpoint) for the session agent you want to put out of service. You use this name as an argument in the ACLI command to use the manual trigger.
7. At the Superuser prompt, type **reset session-agent**, a Space, and the hostname value for the session agent. The press Enter.

```
ORACLE# reset session-agent 192.168.20.45
```

If you enter a session agent that does not exist, the system notifies you that it cannot carry out the reset.

## Manual Trigger Confirmation

To confirm that a session agent has been sent offline:

- Use the **show sipd endpoint-ip** command to confirm the session agent state.

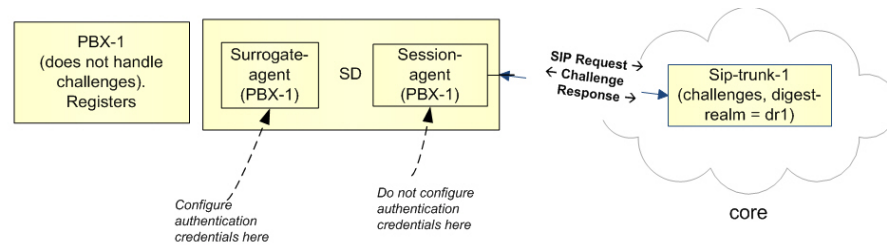
```
ACMEPACKET# show sipd endpoint-ip 1016
User <sip:1016@172.18.1.80>
  Contact exp=3582
    UA-Contact: <sip:1016@192.168.1.132:5060> UDP
      realm=access local=172.18.1.132:5060
UA=192.168.1.132:5060
  SD-Contact: <sip:1016-o3badgbbnjc5@172.18.2.80:5060> realm=core
  Call-ID: 1-7944@192.168.1.132'
  SR=172.18.2.92
  SA=172.18.2.93
  Service-Route='<sip:test@s-cscf::5060;orig;lr>'
ACMEPACKET# reset session-agent 172.18.2.92
Accepted
Reset SA failover timer
ACMEPACKET# show sipd endpoint-ip 1016
User <sip:1016@172.18.1.80>
  Contact <invalidated> exp=3572
    UA-Contact: <sip:1016@192.168.1.132:5060> UDP
      realm=access local=172.18.1.80:5060
UA=192.168.1.132:5060
  SD-Contact: <sip:1016-o3badgbbnjc5@172.18.2.80:5060> realm=core
  Call-ID: 1-7944@192.168.1.132'
  SR=172.18.2.92 (failed 2 seconds ago)
  SA=172.18.2.93
  Service-Route='<sip:test@s-cscf::5060;orig;lr>'
ACMEPACKET#
```

In the above ACLI example the first iteration of the **show sip endpoint-ip** command provides information for the in-service 172.18.2.92 session agent; the second command iteration displays information for the now out-of-service session agent.

## Surrogate Agents and the Oracle® Enterprise Session Border Controller

In the case where a surrogate-agent is configured for the IP-PBX, you do not have to configure digest authentication attributes in the session-agent object for the same IP-PBX. The surrogate-agent authentication configuration takes precedence over the session-agent authentication configuration and so it is ignored.

The following illustration shows an example of a surrogate-agent with a session-agent in the network.



## Surrogate Agent Refresh on Invalidate

Surrogate agent registrations normally only re-register when nearing their expiration time. When a registrar fails, the surrogate agent will wait until the expiration time to refresh the registration with an in-service registrar.

You can configure your Oracle® Enterprise Session Border Controller to immediately refresh the surrogate agent registrar with an in-service registrar by enabling the existing parameter **invalidate-registrations**.

### Invalidate Registrations

An existing feature called **invalidate-registrations** located in the session agent keeps track of when surrogate agents go out of service. When REGISTER messages are received, registration entries that had out-of-service session agents since the last REGISTER will always allow the message through to the registrar (as opposed to responding directly from the cache).

The **invalidate-registrations** parameter in session agent configuration enables the Oracle® Enterprise Session Border Controller to detect failed Registrar session agents.

If **invalidate-registrations** is enabled for the session agent, a response from a surrogate REGISTER that contains a service-route header that corresponds to a session-agent is installed to the registration cache entry.

The surrogate-agents are scanned. Surrogate agents with registration entries matching the out-of-service registrar have their timer reset to initiate a refresh. For an immediate refresh, the registration entry will only be considered when the service-route session agent goes out-of-service. The service-route session agent takes precedence and any previous registrar session agent will not be considered for an immediate refresh of the surrogate-agent registration.

### Performance Impact

In cases with a large number of surrogate-agent registrations, there may be an impact to CPU usage when a session-agent goes out-of-service. All of the surrogate-agent registrations are scanned at that time. Refresh registrations are then sent out on timers.

### Media Inactivity Timer Configuration

To disable the media inactivity timer for calls placed on hold:

1. In Superuser mode, type **configure terminal** and press Enter.

```
ORACLE# configure terminal  
ORACLE(configure)#
```

2. Type **session-router** and press Enter.

```
ORACLE(configure)# session-router  
ORACLE(session-router)#
```

3. Type **session-agent** and press Enter.

```
ORACLE(session-router)# session-agent  
ORACLE(session-agent)#
```

If you are adding support for this feature to a pre-existing configuration, then you must select (using the ACLI **select** command) the configuration you want to edit.

4. **invalidate-registration**—Set this parameter to **enabled** if you want to use the manual trigger to send this session agent offline (and therefore invalidate the registrations associated with it). The default is **disabled**.
5. Save and activate your configuration.

## Surrogate Registration

The Oracle® Enterprise Session Border Controller surrogate registration feature lets the Oracle® Enterprise Session Border Controller explicitly register on behalf of a Internet Protocol Private Branch Exchange (IP-PBX). After you configure a surrogate agent, the Oracle® Enterprise Session Border Controller periodically generates a REGISTER request and authenticates itself using a locally configured username and password, with the Oracle® Enterprise Session Border Controller as the contact address. Surrogate registration also manages the routing of class from the IP-PBX to the core and from the core to the IP-PBX.

## Registration

The Oracle® Enterprise Session Border Controller uses the configuration information of the surrogate agent that corresponds to a specific IP-PBX. After the surrogate agents are loaded, the Oracle® Enterprise Session Border Controller starts sending the REGISTER requests on their behalf. (You can configure how many requests are sent.)

The SIP surrogate agent supports the ability to cache authorization or proxy-authorization header values from a REGISTER 401, 407, and 200 OK messages and reuse it in subsequent requests, such as in an INVITE. This allows the Oracle Communications Session Delivery Manager to support authorization of subsequent requests in cases such as, when a customer PBX doesn't support registration and authentication. It also supports the generation of authorization/proxy-authorization header if subsequent requests get challenged with a 401/407 response.

If the Oracle® Enterprise Session Border Controller receives 401 or 407 responses to REGISTER, requests, it will use the Message Digest algorithm 5 (MD5) digest authentication to generate the authentication information. You need to specify

the password. The Oracle® Enterprise Session Border Controller also supports authentication challenge responses with the quality of protection code set to auth (qop=auth), by supporting the client nonce (cnonce) and nonce count parameters.

The Oracle® Enterprise Session Border Controller creates a registration cache entry for each of the AoRs for which it is sending the REGISTER requests. When the Oracle® Enterprise Session Border Controller receives the associated URIs, it checks whether the customer host parameter is configured. If it is configured, the Oracle® Enterprise Session Border Controller changes the host in the received Associated-URI to the customer host. If it is not configured, the Oracle® Enterprise Session Border Controller does not change the Associated-URI. It makes the registration cache entries that correspond to each of the Associated-URIs. The From header in the INVITE for calls coming from the IP-PBX should have one of the Associated-URIs (URI for a specific phone). If the Oracle® Enterprise Session Border Controller receives a Service-Route in the 200 (OK) response, it stores that as well.

The Oracle® Enterprise Session Border Controller uses the expire value configured for the REGISTER requests. When it receives a different expire value in the 200 OK response to the registration, it stores the value and continues sending the REGISTER requests once half the expiry time has elapsed.

REGISTER requests are routed to the registrar based on the configuration. The Oracle® Enterprise Session Border Controller can use the local policy, registrar host and the SIP configuration's registrar port for routing.

If the Oracle® Enterprise Session Border Controller is generating more than one register on behalf of the IP-PBX, the user part of the AoR is incremented by 1 and the register contact-user parameter will also be incremented by 1. For example, if you configure the register-user parameter as caller, the Oracle® Enterprise Session Border Controller uses caller, caller1, caller2 and so on as the AoR user.

## Routing Calls from the IP-PBX

The Oracle® Enterprise Session Border Controller (E-SBC) looks for a match in the registration cache based on the From header or the P-Preferred-Identity header. The header should contain the user portion of one of the Associated-URIs that it received from the registrar in the 200 (OK) responses to REGISTER requests. It should also have the same hostname that is configured in the customer-host parameter. If that parameter is not configured, then the hostname should be same as the one configured for the register-host parameter.

After the corresponding registration Service-Router entry is found, the E-SBC uses the Service-Route for this endpoint to route the call, if it exists. If no Service-Route exists but the SIP interface's route-to-registrar parameter is enabled, the E-SBC tries to route this to the registrar. You can configure the surrogate agent to override the SIP interface's route-to-register setting. If the surrogate agent's route-to-register parameter is set to disable, it takes precedence over the SIP interface's setting. The E-SBC will not try to route the call to the registrar.

## Configure Surrogate Registration

Surrogate registration allows the Oracle® Enterprise Session Border Controller (E-SBC) to explicitly register on behalf of an Internet Protocol Private Branch Exchange (IP-PBX). Surrogate registration also manages the routing of calls from the IP-PBX and from the core to the IP-PBX. The E-SBC uses the configuration information of the

surrogate agent that corresponds to a specific IP-PBX to send REGISTER requests. You can configure the number of requests to send.

Set the system to Super User mode.

Configure a surrogate agent for each IP-PBX proxy that you want the E-SBC to register.

 **Note:**

To view all surrogate agent configuration parameters, enter a ? at the surrogate-agent prompt.

1. Access the **surrogate-agent** configuration element.

```
ORACLE# configure terminal
ORACLE(configure)# session-router
ORACLE(session-router)# surrogate-agent
ORACLE(surrogate-agent)#
```

2. On the Add Surrogate Agent page, do the following:
  - Register host—Enter the registrar's hostname to be used in the Request-URI of the REGISTER request. This name is also used as the host portion of the AoR To and From headers.
  - Register user—Enter the user portion of the AoR (Address of Record).
  - Description—Optional. Enter a description of this surrogate agent.
  - Realm ID—Enter the name of realm where the surrogate agent resides (where the IP-PBX proxy resides). There is no default.
  - State—Set the state of the surrogate agent to indicate whether the surrogate agent is used by the application. The default value is **enabled**.
  - Customer host—Optional. Enter the domain or IP address of the IP-PBX, which is used to determine whether it is different than the one used by the registrar.
  - Customer next hop—Enter the next hop to this surrogate agent:
    - session agent group: <session agent group name>
    - session agent: <hostname> or <IPV4>
  - Register contact host—Enter the hostname to be used in the Contact-URI sent in the REGISTER request. This should always point to the E-SBC. If specifying a IP address, use the egress interface's address. If there is a SIP NAT on the registrar's side, use the home address in the SIP NAT.
  - Register contact user—Enter the user part of the Contact-URI that the E-SBC generates.
  - Password—If you are configuring the auth-user parameter, you need to enter the password used when the registrar sends the 401 or 407 response to the REGISTER request.
  - Register expires—Enter the expires in seconds for the REGISTER requests. The default value is **600,000** (1 week). The valid range is 0-999999999.

- Replace contact—This specifies whether the E-SBC needs to replace the Contact in the requests coming from the surrogate agent. If this is enabled, Contact will be replaced with the Contact-URI the E-SBC sent in the REGISTER request. The default value is **disabled**. The valid values are enabled and disabled.
  - Options—Optional. Enter non-standard options or features.
  - Route to registrar—This indicates whether requests coming from the surrogate agent should be routed to the registrar if they are not explicitly addressed to the E-SBC. The default value is **enabled**. The valid values are enabled and disabled.
  - AoR count—Enter the number of registrations to do on behalf of this IP-PBX. If you enter a value greater than **1**, the E-SBC increments the register-user and the register-contact-user values by that number. For example, if this count is 3 and register-user is john then users for three different register messages will be john, john1, john2. It does the same for the register-contact-user values. The default value is **1**. The valid range is 0-999999999.
  - Auth user—Enter the authentication user name you want to use for the surrogate agent. This name is used when the E-SBC receives a 401 or 407 response to the REGISTER request and has to send the REGISTER request again with the Authorization or Proxy-Authorization header. The name you enter here is used in the Digest username parameter. If you do not enter a name, the E-SBC uses the value of the register-user parameter.
  - Max register attempts—Enter the total number of times to attempt registration until success. Range 1-10
  - Register retry time—Enter the time to wait after an unsuccessful registration before re-attempting. Range 30-3600
  - Count start—Enter the starting value for numbering when performing multiple registrations. Range 0-9999999999
  - Register mode—Select automatic (default) or triggered (upon trigger from PBX).
  - Triggered inactivity interval—Enter the maximum time with no traffic from the corresponding PBX. (Valid only with Triggered inactivity interval.) Range 5-300
  - Triggered OoS response—503 (Default. Send 503 response for core network failure) or drop response (Do not respond to PBX or core network failure)
3. Save and activate your configuration.

### Next Steps

You must add the surrogate agent as a session-agent under session-router.

## Example

The following example shows the surrogate agent configuration.

```
surrogate-agent
register-host    acmepacket.com
register-user    234567
state           enabled
realm-id        public
description
```

```
customer-host    acmepacket.com
customer-next-hop 111.222.333.444
register-contact-host 111.222.5.678
register-contact-user eng
password
register-expires 600000
replace-contact disabled
route-to-registrar enabled
aor-count 1
options
auth-user
last-modified-date 2006-05-04 16:01:35
```

## SIP Distributed Media Release

This section explains how to configure distributed media release (DMR). SIP DMR lets you choose whether to include multi-system (multiple Oracle® Enterprise Session Border Controllers) media release information in SIP signaling requests sent into a specific realm.

### Overview

The SIP DMR feature lets RTP/RTCP media be sent directly between SIP endpoints (for example, SIP phones or user agents) without going through a Oracle® Enterprise Session Border Controller; even if the SIP signaling messages traverse multiple Oracle® Enterprise Session Border Controllers. It encodes IPv4 address and port information for the media streams described by the media, for example SDP.

With SIP DMR, the media realm and IPv4 address and port information from the UA's SDP is encoded into SIP messages (either in the SIP header or in the SDP) as they enter the backbone network. The information is decoded by a Oracle® Enterprise Session Border Controller from SIP messages that come from the backbone network. The decoded address and port information is put into the SDP sent the UAs in the access (private/customer) network.

This functionality lets the RTP/RTCP flow directly between the UAs in the access network without traversing the Oracle® Enterprise Session Border Controllers and without passing into the backbone network. The media can then flow directly between the two SIP endpoints in the same network, if it is serviced by multiple Oracle® Enterprise Session Border Controllers.

You can enable this feature on a per-realm basis and multiple realms can be supported.

### Endpoint Locations

You can configure the Oracle® Enterprise Session Border Controller to release media when the source and destination of the call are in the same network, customer VPN, or customer LAN. In architectures that use DMR, the Oracle® Enterprise Session Border Controller is only part of the media path for traffic that originates and terminates in different networks.

If configured to do so, the Oracle® Enterprise Session Border Controller can release media:



- Between endpoints supported by a single Oracle® Enterprise Session Border Controller  
In the same network/VPN  
In the same network behind the same NAT/firewall
- Between endpoints supported by multiple distributed Oracle® Enterprise Session Border Controllers  
In the same network/VPN

## Location of the Encoded Information

Encoded media release information can appear in three different places:

- SDP attribute  
Media release data can be encoded into an SDP attribute in the SIP message body (for example, `media-release=sdp;acme-media`). The encoded data is placed into an `acme-media` attribute in the SDP:

```
a=acme-media:<encoded-media-interface-info>
```

- SIP header parameter  
Media release data can be placed in a header parameter of a SIP header (for example, `media-release=Contact;acme-media`). The encoded data is placed into an `acme-media` parameter in the Contact header:

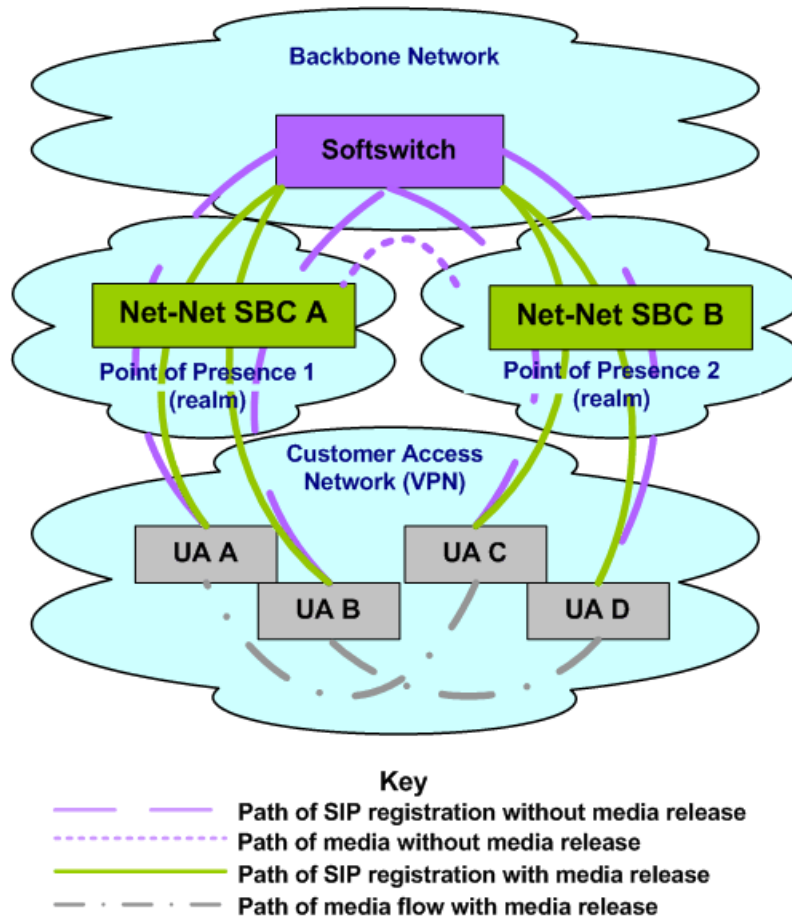
```
Contact: <sip:1234@abc.com>;acme-media=<encoded-media-interface-info>
```

- SIP header  
Media release data can appear in a SIP header (for example, `media-release=P-Media-Release`). The encoded data is placed into a P-Media-Release header:

```
P-Media-Release: <encoded-media-interface-info>
```

## Example Distributed Media Release

The following example shows the network diagram for DMR in a multiple-site VPN environment supported by multiple, distributed Oracle® Enterprise Session Border Controllers.



As shown in the network diagram, UA A and UA B register with the softswitch through Oracle® Enterprise Session Border Controller A while UA C and UA D register with the softswitch through Oracle® Enterprise Session Border Controller B. Without DMR, the media for calls between UA A/UA B and UA C/UA D is steered through both Oracle® Enterprise Session Border Controller A and Oracle® Enterprise Session Border Controller B.

With SIP DMR, the media realm and IPv4 address and port information from the UA's Session Description Protocol (SDP) is encoded into SIP messages (either in the SIP header or in the SDP) as they enter the backbone (public/service provider) network. The information is decoded from SIP messages that come from the backbone network. The decoded address and port information is put into the SDP sent to the UAs in the access (private/customer) network. This functionality allows for the RTP/RTCP to flow directly between the UAs in the access network without traversing the Oracle® Enterprise Session Border Controllers and without passing into the backbone network.

## Overview of SIP DMR Configuration

To configure SIP DMR:

1. Edit the SIP config element's option field.

The `media-release="<header-name>[;<header-param>]"` option defines how the SIP distributed media release feature encodes IPv4 address and port information. If the media-release parameter is configured in the options field but no header is

specified, the parameter value of P=Media-Release will be used. This parameter is optional and is not configured by default.

2. Enable SIP DMR for the entire realm by setting the realm config element's `msm release` field to `enabled`.

The media IPv4 address and port information is encoded into outgoing SIP messages and decoded from incoming SIP messages for all of the realms (in each realm-config element) with which the SIP distributed media release will be used.

 **Note:**

You can also use the realm config element's `mm in network` field to release the media back to a connected network that has multiple realms. This field is not specific SIP distributed media release and it is not required for the SIP DMR to work. However, if this field is set to `enabled` and the ingress and egress realms are part of the same network interface, it lets the Oracle® Enterprise Session Border Controller release the media.

## SIP DMR Configuration

To configure media release:

1. In Superuser mode, type **configure terminal** and press Enter.

```
ORACLE# configure terminal
```

2. Type **session-router** and press Enter to access the system-level configuration elements.

```
ORACLE(configure)# session-router
```

3. Type **sip-config** and press Enter. The system prompt changes to let you know that you can begin configuring individual parameters.

```
ORACLE(session-router)# sip-config  
ORACLE(sip-config)#
```

From this point, you can configure SIP config parameters. To view all SIP config parameters, enter a `?` at the system prompt.

4. Type **options** followed by a Space.
5. After the Space, type the media release information in the following format:

```
media-release=" <header-name> [ ; <header-param> ] "
```

- `header-name` either refers to the SIP header in which to put the information or to the special `header-name` value of `sdp` to indicate the information should be put into the SDP.

- `parameter-name` refers to the header parameter name in which to put the information or, in the case of the special header-name value of `sdp`, to the SDP attribute name in which to put the information.

For example:

```
ORACLE(sip-config)# options media-release=P-Media-Release
```

#### 6. Press Enter.

#### Note:

If the `media-release` parameter is configured in the options field, but no header is specified, then the parameter value of `P-Media-Release` will be used. `P-Media-Release` is a proprietary header and means that the media will be encoded in the SIP header with this name.

The following example shows where the encoded information (for example, SDP data) is passed.

```
media-release="P-Media-Release"  
media-release="Contact;acme-media"  
media-release="sdp;acme-media"
```

## Configuring the Realm

You need to set the each realm config element's `msm release` field to enabled for all the realms for which you want to use SIP DMR.

Although the `mm in network` field is not specific to the SIP distributed media release feature, it can be used to release the media back to a connected network that has multiple realms. This field does not need to be configured in order for the SIP distributed media release feature to work. However, if this field is set to enabled and the ingress and egress realms are part of the same network interface, it lets the Oracle® Enterprise Session Border Controller release the media.

1. In Superuser mode, type **configure terminal** and press Enter.

```
ORACLE# configure terminal
```

2. Type **media-manager** and press Enter to access the media-related configurations.

```
ORACLE(configure)# media-manager
```

3. Type **realm** and press Enter. The system prompt changes to let you know that you can begin configuring individual parameters.

```
ORACLE(media-manager)# realm-config  
ORACLE(realm-config)#
```

From this point, you can configure realm parameters. To view all realm configuration parameters, enter a `?` at the system prompt.

4. **msm-release**—Enable DMR within this realm on this Oracle® Enterprise Session Border Controller. The default value is **disabled**. The valid values are:
  - enabled | disabled
5. Repeat for each realm on which you want to enable DMR.

## Add-On Conferencing

This section explains how to configure the add-on conferencing functionality. It also includes a description of the SIP B2BUA functionality related to the SIP add-on conferencing. This description includes information about Contact header mapping and processing and Refer-to header processing.

### Overview

SIP add-on conferencing lets you:

- Use the Oracle® Enterprise Session Border Controller's add-on conferencing feature for network architectures in which the conference initiator is located on a different network than that of the media server.
- Configure the Oracle® Enterprise Session Border Controller to enable Contact header mapping for the Refer-To header.

### Caveats

The following caveats are associated with add-on conferencing:

- Contact header mapping is not replicated on the standby Oracle® Enterprise Session Border Controller in an HA Oracle® Enterprise Session Border Controller pair architecture.
- Upon switchover, any conferences in progress remain in progress, but no new parties can be invited to or join the conference.
- By default, the Oracle® Enterprise Session Border Controller does not map SIP Contact headers for reasons of performance.

### Add-On Conferencing Scenario

The add-on conferencing scenario described in the following example applies to a network architecture involving the Oracle® Enterprise Session Border Controller and a media server that is located on a different network from the other conference participants. In this scenario, the Oracle® Enterprise Session Border Controller resides on a standalone network that connects two additional, separate networks.

Some network architectures have a media server on a different network from the one on which the phones reside. In this scenario, all requests and/or responses going from the phones (Phone A, Phone B, or Phone C) to Media Server D and vice versa are translated according to their corresponding SIP-NAT. All headers subjected to NAT are encoded and decoded properly as they traverse the Oracle® Enterprise Session Border Controller, except for the Contact header. This exception occurs because the SIP process on the Oracle® Enterprise Session Border Controller runs as a SIP B2BUA and not as a SIP proxy.

The SIP B2BUA re-originates the Contact headers of the User Agents (UAs) participating in SIP sessions with local Contact headers to make sure that they receive all future in-dialog requests. For an in-dialog request, the B2BUA can identify the dialog and find the Contact URI of the other leg of the call.

The Oracle® Enterprise Session Border Controller add-on conferencing feature applies to situations when the Contact URI is used in another dialog. In such a case, the SIP B2BUA will not be able to find the correct dialog that retrieves the correct Contact URI of the other leg if it needs to replace the Contact URI.

Using the SIP add-on conferencing, the SIP B2BUA on the Oracle® Enterprise Session Border Controller can map the Contact headers it receives to the Contact headers it creates. It can also convert the Refer-To URI to the correct value required for forwarding the REFER request.

## SIP B2BUA Functionality

This section describes the role of the Oracle® Enterprise Session Border Controller's SIP B2BUA in the add-on conferencing scenario that requires Contact header mapping for the Refer-To header.

When the Oracle® Enterprise Session Border Controller starts up, the SIP B2BUA reads and parses the list of options in the SIP configuration. If the refer to uri prefix is an appropriate value (it is not an empty string), the Oracle® Enterprise Session Border Controller will have a text prefix value the media server can use to denote a conference ID in its Contact header. With this information, the SIP B2BUA sets up a Contact header mapping.

You configure the Oracle® Enterprise Session Border Controller to enable Contact header mapping for the Refer-To header by editing the SIP config options parameter. The SIP B2BUA on the Oracle® Enterprise Session Border Controller can then map the Contact headers it receives to the Contact headers it creates.

## Contact Header Processing

The Contact header mapping matches a Contact header that contains the refer to URI prefix to the corresponding Contact header that the Oracle® Enterprise Session Border Controller's SIP B2BUA re-originates. Contact headers that do not contain the refer to URI prefix are not mapped (so that performance of the Oracle® Enterprise Session Border Controller is minimally affected).

Only the Contact header in an INVITE request and its 200 OK response are checked for the refer to URI prefix and added to the Contact header mapping. Contact headers appearing in other SIP requests/responses are not checked.

## Target Mapping and Conferences

If the Oracle® Enterprise Session Border Controller is configured to enable Contact header mapping for the Refer-To header, then Contact header target maps are established for each individual call. The Oracle® Enterprise Session Border Controller's SIP B2BUA uses these maps to allow the media server to connect the conference initiator with the conferenced-in parties.

Prior to terminating the call (hanging up), the conference initiator can contact other parties and invite those additional parties to join the conference. These other parties

can join the existing conference because the target mapping for the conference is still in effect on the Oracle® Enterprise Session Border Controller.

Once the conference initiator hangs up, the Oracle® Enterprise Session Border Controller discards the mapping from the conference.

## Refer-To Header Processing

When a Refer-To header is present in a REFER request that arrives at the SIP B2BUA after the incoming request is properly translated according to its SIP-NAT, the SIP B2BUA follows these steps:

1. The SIP B2BUA parses the Refer-To URI.
2. If the user part of the Refer-To URI contains the refer to URI prefix, the SIP B2BUA searches the Contact header mapping for a match of the user part of the URI.

If the user part of the Refer-To URI does not contain the refer to URI prefix, the SIP B2BUA leaves the existing Refer-To URI unchanged.

3. If the user part of the Refer-To URI contains the refer to URI prefix and a match of the Refer-To URI is found, the SIP B2BUA replaces the existing Refer-To URI with the URI of the corresponding Contact URI stored in the matched record. This replacement enables the NAT function to properly decode the replacement URI and change it back to the form originally received by the Oracle® Enterprise Session Border Controller. As a result, the correct conference ID is restored in the Refer-To header prior to the request being sent to its next hop.

If the user part of the Refer-To URI contains the refer to URI prefix but a matched URI cannot be found, the SIP B2BUA will leave the existing Refer-To URI unchanged and will write a WARNING level log message to record the failure.

## Add-on Conferencing Configuration

1. In Superuser mode, type **configure terminal** and press Enter.

```
ORACLE# configure terminal
```

2. Type **session-router** and press Enter to access the system-level configuration elements.

```
ORACLE(configure)# session-router
```

3. Type **sip-config** and press Enter. The system prompt changes to let you know that you can begin configuring individual parameters.

```
ORACLE(session-router)# sip-config  
ORACLE(sip-config)#
```

From this point, you can configure SIP config parameters. To view all SIP config parameters, enter a **?** at the system prompt.

4. Type **options** followed by a Space.

5. After the Space, type the add-on conferencing information in the following format:

```
options refer-to-uri-prefix="conf="
```

For example:

```
ORACLE(sip-config)# options refer-to-uri-prefix="conf"
```

6. Press Enter.

## SIP REFER Method Call Transfer

In prior releases, the Oracle® Enterprise Session Border Controller supports the SIP REFER method by proxying it to the other UA in the dialog. A handling mode has been developed for the REFER method so that the Oracle® Enterprise Session Border Controller automatically converts a received REFER method into an INVITE method, thus allowing the Oracle® Enterprise Session Border Controller to transfer a call without having to proxy the REFER back to the other UA.

This function can be configured for a specified realm or session agent. When both elements have the SIP REFER method call transfer functionality configured, the session-agent configuration takes precedence over realm-config.

The Oracle® Enterprise Session Border Controller has a configuration parameter giving it the ability to provision the handling of REFER methods as call transfers. The parameter is called refer-call-transfer. When this feature is enabled, the Oracle® Enterprise Session Border Controller creates an INVITE message whenever it receives a REFER. The Oracle® Enterprise Session Border Controller sends this INVITE message to the address in the Refer-To header. Included in the INVITE message is all the unmodified information contained in the REFER message. The previously negotiated codec is also still used in the new INVITE message. NOTIFY and BYE messages are sent to the UA upon call transfer completion.

If a REFER method is received containing no Referred-By header, the Oracle® Enterprise Session Border Controller adds one, allowing the Oracle® Enterprise Session Border Controller to support all call agent screen applications.

In addition, the SIP REFER method call transfer feature supports the following:

- Both unattended and attended call transfers
- Both successful and unsuccessful call transfers
- Early media from the Referred-To party to the transferee
- REFER method transfer from different sources within the destination realm
- The REFER event package as defined in RFC 3515. This applies for situations where multiple REFER methods are used within a single dialog.
- Third party initiated REFER method signalling the transfer of a call by associating the REFER method to the dialogue via the REFER TargetDialog.
- The Referred-To party can be both in a different realm (and thus a different steering pool) from the referrer, and in the same realm
- The associated latching should not prohibit the Referred-To party from being latched to while the referee is still sending media.



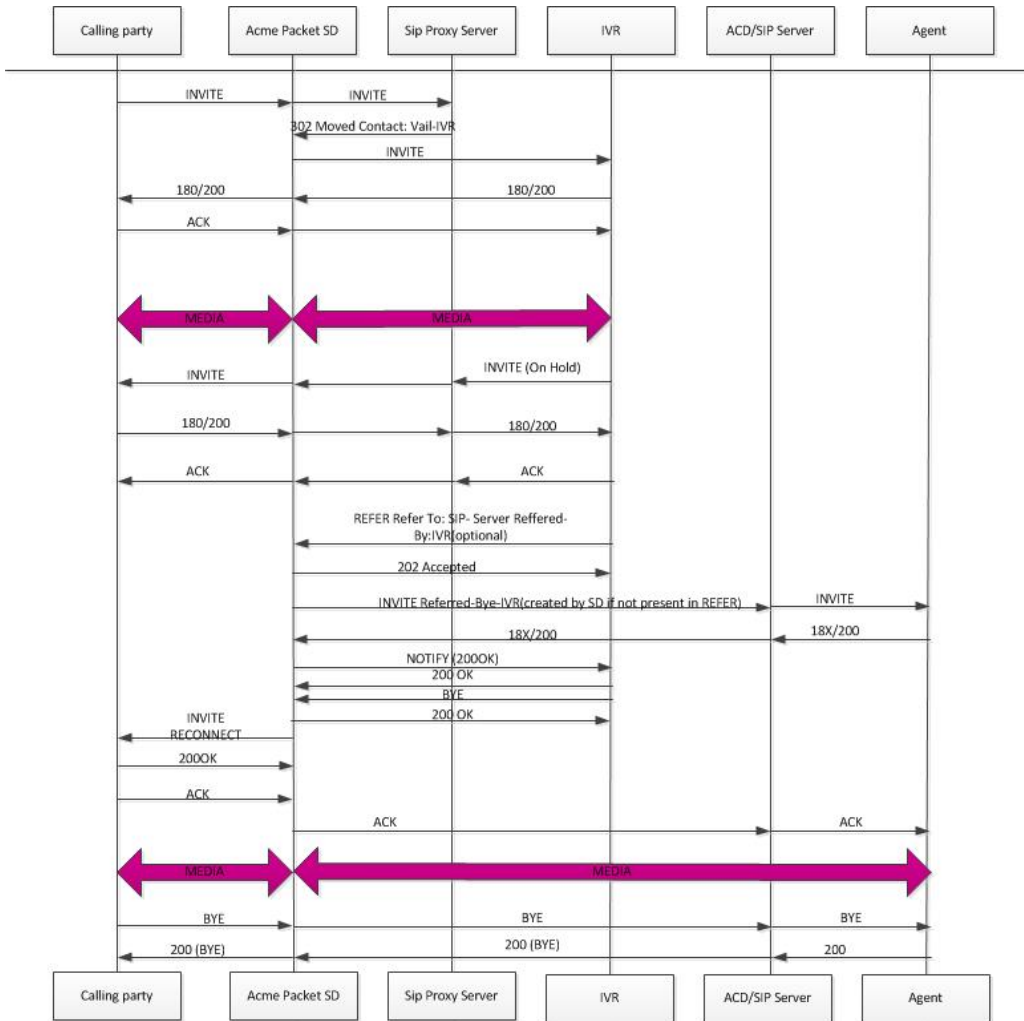
## Unsuccessful Transfer Scenarios

The Oracle® Enterprise Session Border Controller does not successfully handle the following failed, unusual, and unexpected transfer scenarios:

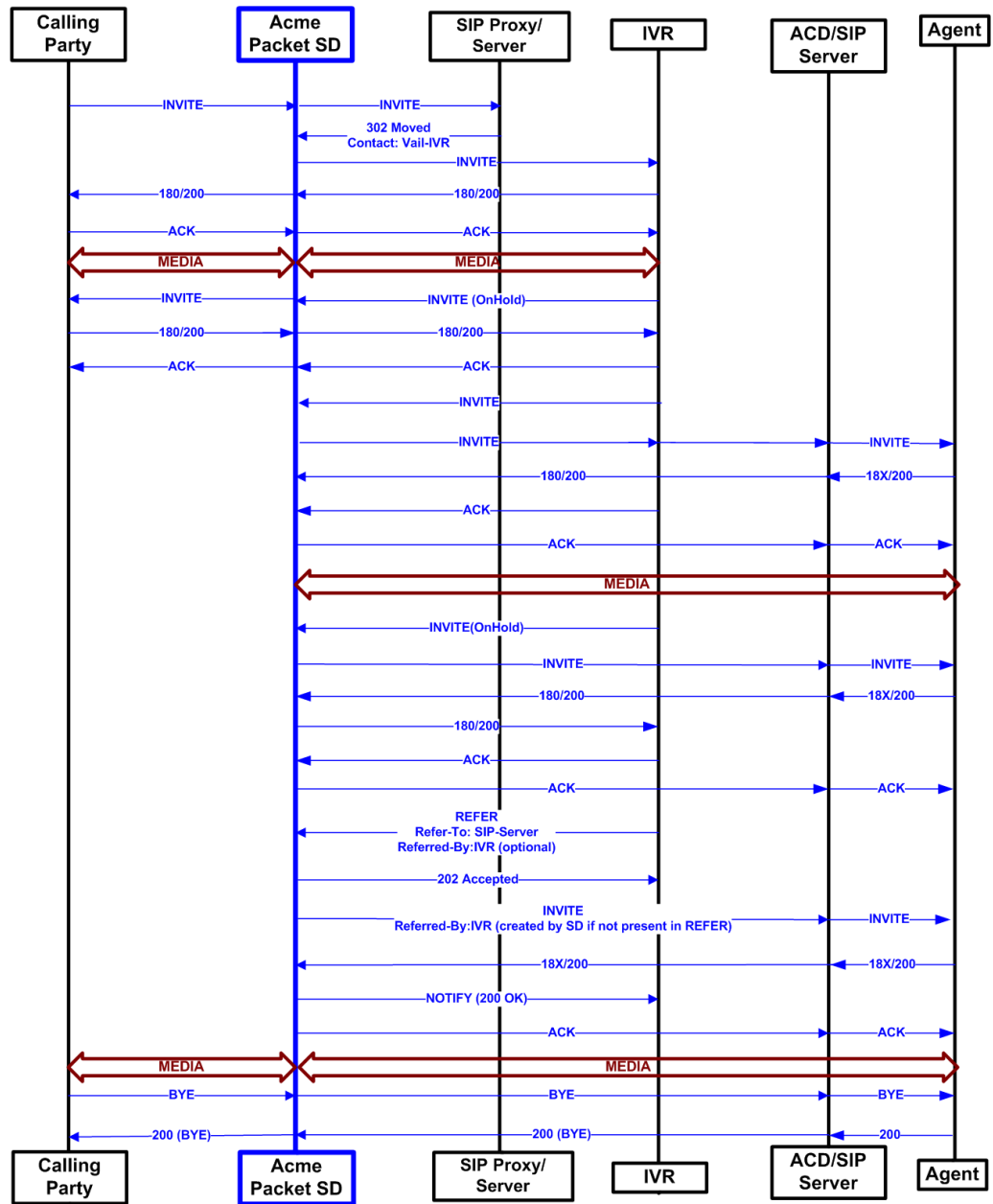
- The new INVITE to the Referred-To party gets challenged, the Oracle® Enterprise Session Border Controller does not answer the challenge. It is treated with the 401/407 response just as any other unsuccessful final response.
- The header of the REFER message contains a method other than INVITE or contains URI-parameters or embedded headers not supported by the Oracle® Enterprise Session Border Controller.
- The Oracle® Enterprise Session Border Controller shall allow the Referred-To URI that happens to resolve to the same next-hop as the original INVITE went to, to do so.
- The Oracle® Enterprise Session Border Controller ignores any MIME attachment(s) within a REFER method.
- The Oracle® Enterprise Session Border Controller recurses (when configured to do so) when the new INVITE sent to the Referred-To party receives a 3xx response.
- The transferee indicated support for 100rel, and the original two parties agreed on using it, yet the Referred-To party does not support it.
- The original parties negotiated SRTP keys.
- The original parties agreed on a codec using a dynamic payload type, and the Referred-To party happens to use a different dynamic payload number for that codec.

## Call Flows

The following is an example call flow for an unattended call transfer:



The following is an example call flow of an attended call transfer:



## SIP REFER Method Configuration

To enable SIP REFER method call transfer in the realm-config:

1. In Superuser mode, type **configure terminal** and press Enter.

```
ORACLE# configure terminal
ORACLE(configure)#
```

2. Type **media-manager** and press Enter.

```
ORACLE(configure)# media-manager  
ORACLE(media-manager)#
```

3. Type **realm-config** and press Enter.

```
ORACLE(media-manager)# realm-config  
ORACLE(realm-config)#
```

4. **refer-call-transfer**—Set to **enabled** to enable the refer call transfer feature. The default for this parameter is **disabled**.

5. Save and activate your configuration.

To enable SIP REFER method call transfer in the session-agent:

6. In Superuser mode, type **configure terminal** and press Enter.

```
ORACLE# configure terminal  
ORACLE(configure)#
```

7. Type **session-router** and press Enter.

```
ORACLE(configure)# session-router  
ORACLE(session-router)#
```

8. Type **session-agent** and press Enter.

```
ORACLE(media-manager)# session-agent  
ORACLE(session-agent)#
```

9. **refer-call-transfer**—Set to **enabled** to enable the refer call transfer feature. The default for this parameter is **disabled**.

10. Save and activate your configuration.

## REFER-Initiated Call Transfer

In prior releases, the Oracle® Enterprise Session Border Controller supported REFER-initiated call transfer either by proxying the REFER to the other User Agent in the dialog, or by terminating the received REFER and issuing a new INVITE to the referred party. These static alternate operational modes could be configured for specific SIP interfaces, realms, or session agents.

Release S-C6.2.0 enhances support with an additional operational mode that determines on a call-by-call basis whether to proxy the REFER to the next hop, or terminate the REFER and issue an INVITE in its stead.

### Note:

With the release of Version S-C6.2.0, support for REFER-initiated call transfer is no longer available for SIP interfaces; support must be configured for realms and/or session agents.

Version S-C6.2.0 provides a new configuration parameter **dyn-refer-term**, and a revised **refer-call-transfer** parameter (both available in realm-config configuration mode) that specify call transfer modes.

With the **refer-call-transfer** parameter set to **disabled** (the default), all received REFERs are simply proxied to the peer User Agent.

With the **refer-call-transfer** parameter set to **enabled**, the Oracle® Enterprise Session Border Controller terminates all REFERs, generates a new INVITE, and sends the INVITE to the address in the Refer-To header.

With the **refer-call-transfer** parameter set to **dynamic** (a new value introduced with Version S-C6.2.0), the Oracle® Enterprise Session Border Controller determines REFER handling on a call-by-call basis as follows:

1. Check the **refer-call-transfer** value for the session agent from which the REFER was received, or for ingress realm (the realm that received the REFER).

If the value is disabled, proxy the REFER to the peer User Agent, to complete REFER processing.

If the value is enabled, terminate the REFER and issue an new INVITE to the referred party, to complete REFER processing.

If the value is dynamic, identify the next hop egress realm.

2. Check the **dyn-refer-term** value for the next hop egress realm.

If the **dyn-refer-term** value is disabled (the default), proxy the REFER to the next hop to complete REFER processing.

If the **dyn-refer-term** value is enabled, terminate the REFER and issue an new INVITE to the referred party to complete REFER processing.

## Supported Scenarios

In the basic scenario for REFER initiated call transfer, a call is established between two User Agents (Alice and Bob). User Agent Bob then sends a REFER request to transfer the call to a third User Agent Eva. With dynamic call-transfer enabled, the Oracle® Enterprise Session Border Controller (E-SBC) prevents the REFER from being sent to Alice and generates the INVITE to Eva.

If the INVITE to Eva succeeds, the E-SBC sends a re-INVITE to Alice modifying the SIP session as described in Section 14 of RFC 3261, *SIP: Session Initiation Protocol*. At this point the E-SBC cancels the original dialog between the E-SBC and Bob.

If the INVITE to Eva fails, call disposition depends on whether or not Bob issued a BYE after the REFER call transfer. If the Oracle® Enterprise Session Border Controller did receive a BYE from Bob (for instance, a blind transfer), it proxies the BYE to A. Otherwise, the E-SBC retains the original SIP session and media session, thus allowing Bob to re-establish the call with Alice by sending a re-INVITE. In this case, the E-SBC sets a timer (32 seconds), after which a BYE will be sent.

If a REFER method is received containing no Referred-By header, the E-SBC adds one, allowing the E-SBC to support all call agent screen applications.

In addition, the SIP REFER method call transfer feature supports the following:

- Both unattended and attended call transfers
- Both successful and unsuccessful call transfers

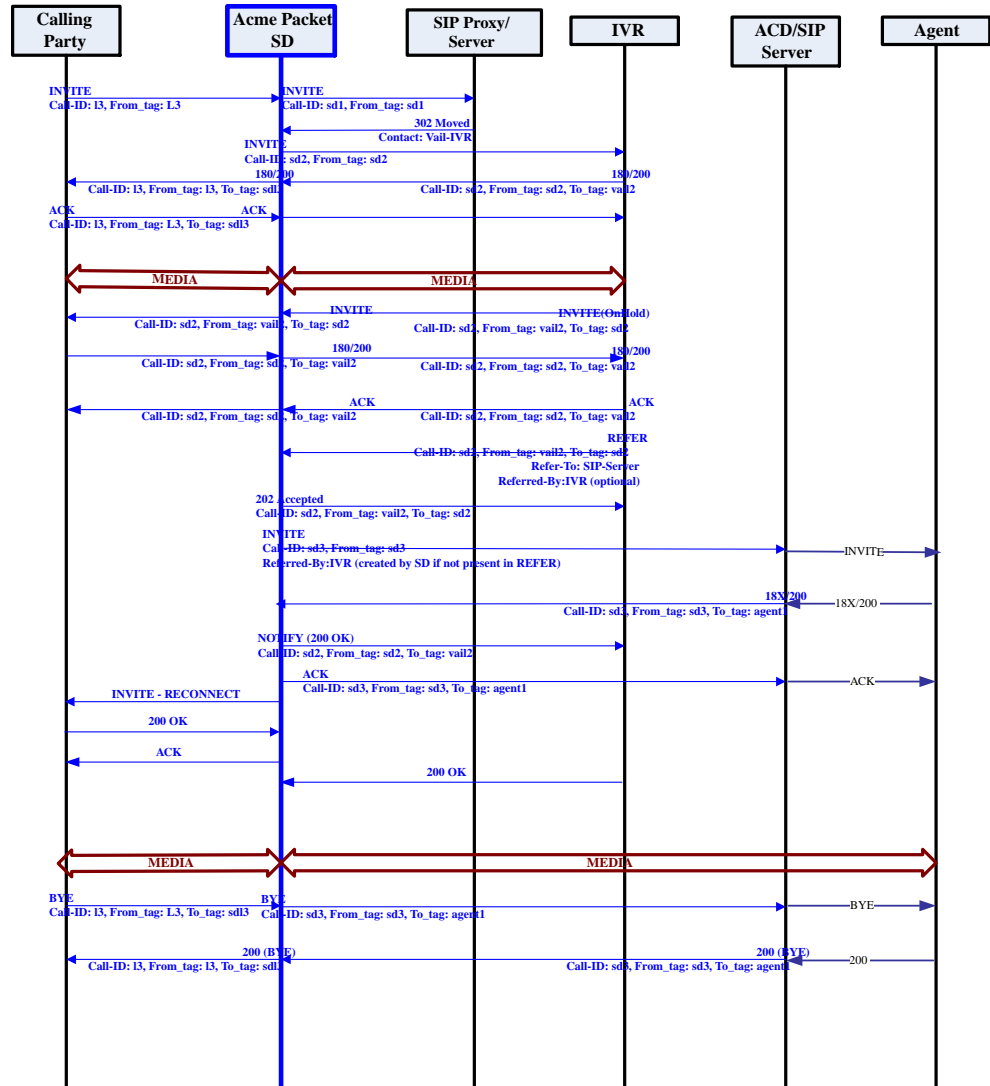
- Early media from the Referred-To party to the transferee
- REFER method transfer from different sources within the destination realm
- The REFER event package as defined in RFC 3515. This applies for situations where multiple REFER methods are used within a single dialog.
- Third party initiated REFER method signalling the transfer of a call by associating the REFER method to the dialogue via the REFER TargetDialog.
- The Referred-To party can be both in a different realm (and thus a different steering pool) from the referrer, and in the same realm
- The associated latching should not prohibit the Referred-To party from being latched to while the referee is still sending media.

The E-SBC does not successfully handle the following anomalous transfer scenarios:

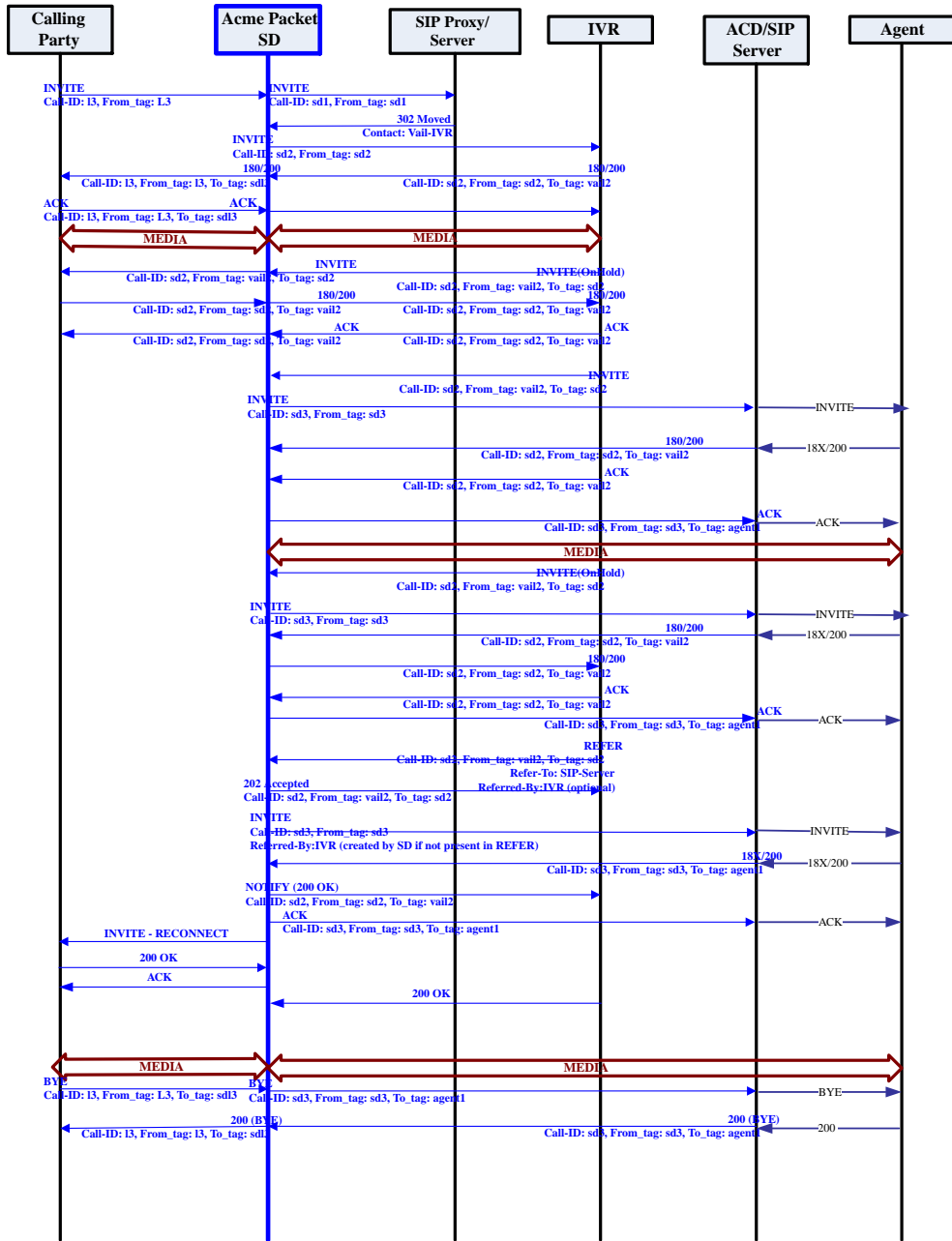
- The new INVITE to the Referred-To party gets challenged — the E-SBC does not answer the challenge. It is treated with the 401/407 response just as any other unsuccessful final response.
- The header of the REFER message contains a method other than INVITE or contains URI-parameters or embedded headers not supported by the E-SBC.
- The E-SBC shall allow the Referred-To URI that happens to resolve to the same next-hop as the original INVITE went to, to do so.
- The E-SBC ignores any MIME attachment(s) within a REFER method.
- The E-SBC recurses (when configured to do so) when the new INVITE sent to the Referred-To party receives a 3xx response.
- The transferee indicated support for 100rel, and the original two parties agreed on using it, yet the Referred-To party does not support it.
- The original parties negotiated SRTP keys.

## Call Flows

The following is an example call flow for an unattended call transfer:



The following is an example call flow of an attended call transfer:



### REFER Source Routing

If, after the conclusion of static or dynamic REFER handling, the REFER is terminated and a new INVITE issued, users now can specify a policy lookup behavior based upon either the source realm of the calling party (the INVITE originator), or the source realm of the referring party (the REFER originator).

Behavior is controlled by a new **refer-src-routing** parameter in the **sip-config** configuration element.

**disabled**, the default value, specifies that the Oracle® Enterprise Session Border Controller performs a policy lookup based on the source realm of the calling party.



**enabled** specifies that the Oracle® Enterprise Session Border Controller performs a policy lookup based on the source realm of the referring party. Note: Enable refer-src-routing when refer-call-transfer is set to dynamic.

## REFER Source Routing Configuration

To enable realm-based REFER method call transfer:

1. In Superuser mode, type **configure terminal** and press Enter.

```
ORACLE# configure terminal
ORACLE(configure)#
```

2. Type **media-manager** and press Enter.

```
ORACLE(configure)# media-manager
ORACLE(media-manager)#
```

3. Type **realm-config** and press Enter.

```
ORACLE(media-manager)# realm-config
ORACLE(realm-config)#
```

4. **refer-call-transfer** — Retain the default (**disabled**) to proxy all REFERs to the next hop. Use **enabled** to terminate all REFERs and issue a new INVITE. Use **dynamic** to specify REFER handling on a call-by-call basis, as determined by the value of the **dyn-refer-term** parameter.
5. **dyn-refer-term** (meaningful only when **refer-call-transfer** is set to dynamic) — Retain the default (**disabled**) to terminate the REFER and issue a new INVITE. Use **enabled** to proxy the REFER to the next hop.

6. Save and activate your configuration.

To enable session-agent-based REFER method call transfer:

7. In Superuser mode, type **configure terminal** and press Enter.

```
ORACLE# configure terminal
ORACLE(configure)#
```

8. Type **session-router** and press Enter.

```
ORACLE(configure)# session-router
ORACLE(session-router)#
```

9. Type **session-agent** and press Enter.

```
ORACLE(media-manager)# session-agent
ORACLE(session-agent)#
```

10. **refer-call-transfer** — Retain the default (**disabled**) to proxy all REFERs to the next hop. Use **enabled** to terminate all REFERs and issue a new INVITE. Use **dynamic** to specify REFER handling on a call-by-call basis, as determined by the value of the **dyn-refer-term** parameter.

11. Save and activate your configuration.

To specify policy lookup for a newly generated INVITE:

12. In Superuser mode, type **configure terminal** and press Enter.

```
ORACLE# configure terminal  
ORACLE(configure)#
```

13. Type **session-router** and press Enter.

```
ORACLE(configure)# session-router  
ORACLE(session-router)#
```

14. Type **sip-config** and press Enter.

```
ORACLE(configure)# sip-config  
ORACLE(sip-config)#
```

15. **refer-src-routing** — Retain the default (**disabled**) to perform a policy lookup based upon the source realm of the calling party (the issuer of the original INVITE). Use **enabled** to perform a policy lookup based upon the source realm of the referring party (the issuer of the REFER).

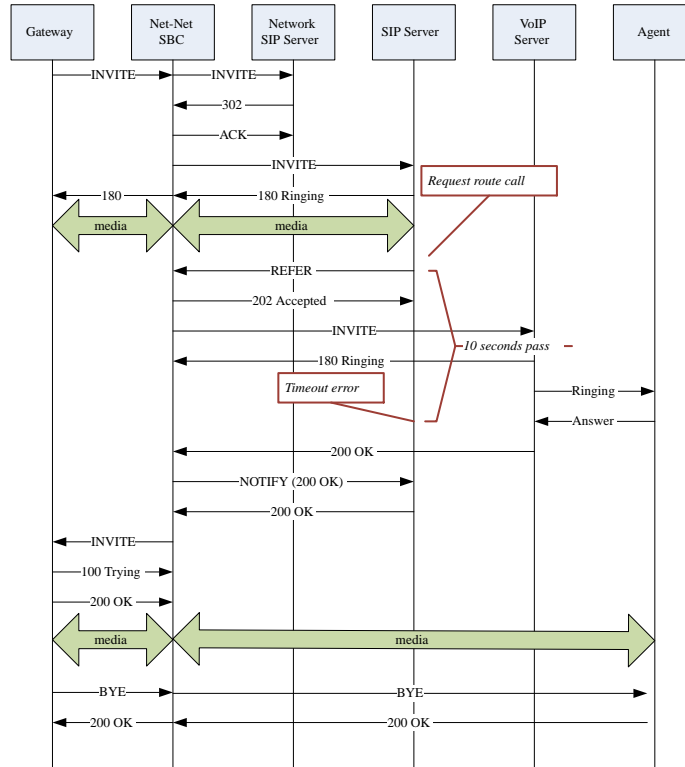
16. Save and activate your configuration.

## 180 & 100 NOTIFY in REFER Call Transfers

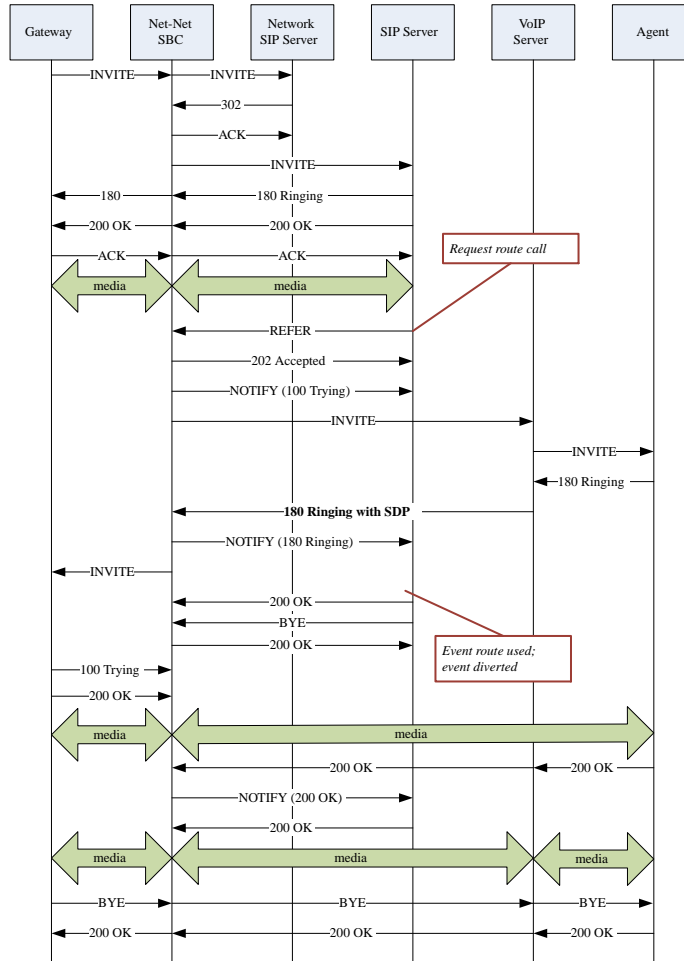
When you configure your Oracle® Enterprise Session Border Controller to support REFER call transfers, you can enable it to send a NOTIFY message after it has sent either a 202 Accepted or sent a 180 Ringing message. If your network contains elements that comply with RFC 5589, and so expect the NOTIFY message after the 202 Accepted and each provisional 180 Ringing, you want to set the **refer-notify-provisional** to either **initial** or **all**, according to your needs.

Without this parameter changed from its default (**none**), the Oracle® Enterprise Session Border Controller does not return send the NOTIFY until it receives the 200 OK response from the agent being called. If the time between the REFER and the NOTIFY exceeds time limits, this sequencing can cause the Oracle® Enterprise Session Border Controller's NOTIFY to go undetected by devices compliant with RFC 5589. Failures during the routing process can result.

You can see how a sample call flow works without setting the **refer-notify-provisional** parameter.



When you compare the call flow above to the one depicting the scenario when the Oracle® Enterprise Session Border Controller has the **refer-notify-provisional** changed from its default, you can see that the Oracle® Enterprise Session Border Controller now response with a NOTIFY in response to the 202 Accepted and it sends another after the 180 Ringing. This causes the event to be diverted successfully.



## Sample Messages

In compliance with RFC 5589, the NOTIFY message with 100 Trying as the message body looks like the sample below. Note that the expires value in the subscription state header is populated with a value that equals 2\* TIMER C, where the default value of TIMER C is 180000 milliseconds.

```
NOTIFY sips:4889445d8kjdk3@atlanta.example.com;gr=723jd2d SIP/2.0
Via: SIP/2.0/TLS 192.0.2.4;branch=z9hG4bKnas432
Max-Forwards: 70
To: <sips:transferor@atlanta.example.com>;tag=1928301774
```

```
From: <sips:3ld812adkjwt@biloxi.example.com;gr=3413kj2ha>;tag=a6c85cf
Call-ID: a84b4c76e66710
CSeq: 73 NOTIFY
Contact: <sips:3ld812adkjwt@biloxi.example.com;gr=3413kj2ha>
Allow: INVITE, ACK, CANCEL, OPTIONS, BYE, REFER, NOTIFY
Supported: replaces, tdialog
Event: refer
Subscription-State: active;expires=360
Content-Type: message/sipfrag
Content-Length: ...
SIP/2.0 100 Trying
```

Also in compliance with RFC 5589, the NOTIFY message with 180 Ringing as the message body looks like the sample below. Again, the expires value in the subscription state header is populated with a value that equals 2\* TIMER C, where the default value of TIMER C is 180000 milliseconds.

```
NOTIFY sips:4889445d8kjt3@atlanta.example.com;gr=723jd2d SIP/2.0
Via: SIP/2.0/TLS 192.0.2.4;branch=z9hG4bKnas432
Max-Forwards: 70
To: <sips:transferor@atlanta.example.com>;tag=1928301774
From: <sips:3ld812adkjwt@biloxi.example.com;gr=3413kj2ha>;tag=a6c85cf
Call-ID: a84b4c76e66710
CSeq: 73 NOTIFY
Contact: <sips:3ld812adkjwt@biloxi.example.com;gr=3413kj2ha>
Allow: INVITE, ACK, CANCEL, OPTIONS, BYE, REFER, NOTIFY
Supported: replaces, tdialog
Event: refer
Subscription-State: active;expires=360
Content-Type: message/sipfrag
Content-Length: ...
SIP/2.0 180 Ringing
```

Also in compliance with RFC 5589, the NOTIFY message with 200 OK as the message body looks like the sample below.

```
NOTIFY sips:4889445d8kjt3@atlanta.example.com;gr=723jd2d SIP/2.0
Via: SIP/2.0/TLS 192.0.2.4;branch=z9hG4bKnas432
Max-Forwards: 70
To: <sips:transferor@atlanta.example.com>;tag=1928301774
From: <sips:3ld812adkjwt@biloxi.example.com;gr=3413kj2ha>;tag=a6c85cf
Call-ID: a84b4c76e66710
CSeq: 74 NOTIFY
Contact: <sips:3ld812adkjwt@biloxi.example.com;gr=3413kj2ha>
Allow: INVITE, ACK, CANCEL, OPTIONS, BYE, REFER, NOTIFY
Supported: replaces, tdialog
Event: refer
Subscription-State: terminated;reason=noresource
Content-Type: message/sipfrag
Content-Length: ...
SIP/2.0 200 OK
```

## 180 and 100 NOTIFY Configuration

You can apply the **refer-notify-provisional** setting to realms or to session agents. This section shows you how to apply the setting for a realm; the same steps and definitions apply to session agents.

If you do not want to insert NOTIFY messages into the exchanges that support REFER call transfers, you can leave the **refer-notify-provisional** set to **none**. This means that the Oracle® Enterprise Session Border Controller will send only the final result NOTIFY message. Otherwise, you want to choose one of the two settings described in the instructions below.

To enable 100 and 180 NOTIFY messages in REFER call transfers:

1. In Superuser mode, type **configure terminal** and press Enter.

```
ORACLE# configure terminal
```

2. Type **media-manager** and press Enter to access the media-related configurations.

```
ORACLE(configure)# media-manager
```

3. Type **realm-config** and press Enter. The system prompt changes to let you know that you can begin configuring individual parameters.

```
ORACLE(media-manager)# realm-config  
ORACLE(realm-config)#
```

4. **refer-notify-provisional**—Choose from one of the following settings, where the Oracle® Enterprise Session Border Controller:
  - **initial**—Sends an immediate 100 Trying NOTIFY, and the final result NOTIFY
  - **all**—Sends an immediate 100 Trying NOTIFY, plus a notify for each non-100 provisional messages the Oracle® Enterprise Session Border Controller receives; and the final result NOTIFY

```
ORACLE(realm-config)# refer-notify-provisional all
```

5. Save your work.

## SIP REFER Re-Invite for Call Leg SDP Renegotiation

Enhancing the original implementation of SIP REFER termination introduced in Release S-C6.0.0, this change to Oracle® Enterprise Session Border Controller behavior allows for SDP renegotiation between both parties of a transferred call.

### Scenario

In a call transfer initiated by SIP REFER, a call is established between two user agents, UA-A and UA-B. UA-B then sends a REFER request to transfer the call to UA-C. The challenge is that UA-A and UA-B had already been communicating using mutually agreed-on codec, while UA-C might not be using an entirely different codec.

To solve this problem, the Oracle® Enterprise Session Border Controller causes a new SIP session and new media session to be created between UA-A and UA-C. The Oracle® Enterprise Session Border Controller removes any resources allocated for use between UA-A and UA-B, and then severs its connection with UA-B. The session between UA-A and UA-C continues.

## Alterations to SIP REFER

The original implementation of the SIP REFER feature made available in Oracle® Enterprise Session Border Controller Release S-C6.0.0 resulted in instances where SDP parameters were not being communicate properly. Issues arose when the Oracle® Enterprise Session Border Controller maintained the original dialog with the user agent that did not support REFER and failed to communicate and SDP changes to that endpoint.

The alterations to SIP REFER made available in Oracle® Enterprise Session Border Controller Release S-C(X)6.1.0M2 solve those issues. Now, the Oracle® Enterprise Session Border Controller sends re-INVITE with the negotiated SDP to the user agent for which the Oracle® Enterprise Session Border Controller performs the call transfer.

## Implementation Details

This section describes the details of how the Oracle® Enterprise Session Border Controller behaves in SIP REFER scenarios with the changes made in Oracle® Enterprise Session Border Controller Release S-C(X)6.1.0M2. The Oracle® Enterprise Session Border Controller makes the new call between Party A and Party C appear as though A were participating to allow the Oracle® Enterprise Session Border Controller's natural media setup occur in the same way as if the REFER had actually been sent to A and A had sent a new INVITE.

When the Oracle® Enterprise Session Border Controller receives a REFER request and determines it needs to handle it locally, it creates a new INVITE made to look like one from Party A. And the Oracle® Enterprise Session Border Controller actually processes this INVITE as though it were from Party A. As a result, new SIP and new media sessions are created with new media ports for Parties A and C. When the INVITE to Party C receives a final response, the Oracle® Enterprise Session Border Controller sends the result to Party B using a SIP NOTIFY request.

If the new INVITE succeeds, the old context and flows disappear and the new context and flows for the A-to-C connection remain in place. Because of the new media ports, the Oracle® Enterprise Session Border Controller sends a re-INVITE to Party A, directing media to the new port and forwarded to Party C. Next, the original dialog with Party B needs to be terminated; if the Oracle® Enterprise Session Border Controller has not received Party B's BYE, it will wait five second and then send Party B a BYE.

If the INVITE to Party C fails, the new SIP and media sessions are deleted as are the new context and flows. The Oracle® Enterprise Session Border Controller treats Party A differently depending on whether or not a BYE was received from Party B. If a BYE was received from Party B. then the Oracle® Enterprise Session Border Controller sends a BYE to Party A. If not, the original SIP and media sessions as well as the context and media flows remain in tact. This way, Party B can re-establish the call with Party A using a re-INVITE. In the case, the Oracle® Enterprise Session Border Controller waits 32 second before sending a BYE.

If the Oracle® Enterprise Session Border Controller receives a BYE while processing the INVITE to Party C, it sends a CANCEL message to Party C in an attempt to cancel the call. The BYE passes to Party B, and associated sessions, contexts, and flows terminate normally. Still, the Oracle® Enterprise Session Border Controller waits for the final response to the INVITE to Party C. If the Oracle® Enterprise Session Border Controller receives a successful response, it sends an ACK and then a BYE to terminate the abandoned call. If the Oracle® Enterprise Session Border Controller receives an unsuccessful final response, it uses its normal response error handling processes. In either of these last two cases, all sessions, context, and flow are deleted.

Please note that the Oracle® Enterprise Session Border Controller does not remove the `a=sendonly` attribute from the SDP it sends to Party A during the A-to-B call, and extra media ports are not allocated for the original media session.

## SIP REFER with Replaces

To support enterprise and call center applications, the Oracle® Enterprise Session Border Controller provides the ability for one party participating in a three-way call to request direct connectivity between the other two parties and to leave the call silently when that connectivity is established. SIP supports this function using the Replaces header in a REFER message, also known as REFER with Replaces.

The most common application of REFER with Replaces handling occurs in a high-level sequence like this:

1. The customer calls a customer service line and reaches—via the Oracle® Enterprise Session Border Controller—an IVR/ACD (Interactive Voice Response system/Automatic Call Distribution system). In some architectures, these are two separate elements.
2. Based on the customer's selection from the menu of options, the IVR/ACD contacts an agent via the Oracle® Enterprise Session Border Controller.
3. Since the ultimate goal is for the IVR/ACD to drop out of the path, it sends a REFER with Replaces to the Oracle® Enterprise Session Border Controller. This message indicates the Oracle® Enterprise Session Border Controller should replace the IVR/ACD endpoint in the call leg with the agent's endpoint.
4. The Oracle® Enterprise Session Border Controller processes the REFER with Replaces, issuing ReINVITES to the customer with the agent's parameters.
5. The IVR/ACD drops out of the media path once the bridged call between the customer and the agent is established.

Note that direct media connectivity between endpoints must be possible in order for the REFER with Replaces to be carried out properly. For example, if both endpoints (such as the customer and agent from the example above) are behind the same firewall, direct media connectivity should be possible. However, if one endpoint is behind a firewall and the other is not, then direct media connectivity may not be possible.

For licensing capacity purposes, note that a bridged session counts as a single call.



## SIP REFER with Replaces Configuration

You enable SIP REFER with Replaces handling either in the realm configuration or in the session agent configuration. This section show you how to configure the feature for session agent, though the steps are the same for adding this feature to a realm.

To enable sending ReINVITES to a referred agent on an existing session/dialog:

1. In Superuser mode, type `configure terminal` and press Enter.

```
ORACLE# configure terminal
```

2. Type `session-router` and press Enter.

```
ORACLE(configure)# session-router
ORACLE(session-router)#
```

3. Type `session-agent` and press Enter.

```
ORACLE(session-router)# session-agent
ORACLE(session-agent)#
```

If you are adding support for this feature to a pre-existing configuration, then you must select (using the ACLI `select` command) the configuration that you want to edit.

4. **options**—Set the options parameter by typing `options`, a Space, and then the option name `refer-reinvite`. Then press Enter.

```
ORACLE(session-agent)# options +refer-reinvite
```

If you type the option without the plus sign, you will overwrite any previously configured options. In order to append the new options to this configuration's options list, you must prepend the new option with a plus sign as shown in the previous example.

## SIP REFER-to-BYE

The Oracle® Enterprise Session Border Controller's SIP REFER-to-BYE capability addresses situations when other network elements do not support the REFER method but do offer blind transfer in a SIP BYE request. The target number is encoded in a Reason header of the BYE request. In such cases, the Oracle® Enterprise Session Border Controller terminates the REFER and passes the Refer-To number in a Reason header of the BYE.

You configure both SIP interfaces and SIP session agents with the `refer-to-by` option to use this function:

- **SIP interface**—You add this ability to SIP interfaces facing the SIP elements that need to receive a BYE instead of a REFER. This setting only applies when the next hop is not a session agent.

- SIP session agent—The SIP session agent takes precedence over the SIP interface. You add this ability to SIP session agents that need to receive a BYE instead of a REFER. If the next hop SIP element—the remote target in the dialog—is a session agent, in other words, you need to configure the option for it. Note that when you use this option for SIP session agents, the SIP interface or realm on which the REFER is received takes precedence over the REFER-to-BYE capability.

When a REFER request arrives and the REFER-to-BYE capability applies, the Oracle® Enterprise Session Border Controller responds to it with a 202 Accepted and sends a NOTIFY to terminate the implicit refer subscription. This NOTIFY contains a message/sipfrag body with SIP/2.0 200 OK. Upon receiving the response to this NOTIFY, the Oracle® Enterprise Session Border Controller sends a BYE with an added Reason header (encoded with the Refer-To number) to the other end.

The network element that does not accept REFERs takes the BYE with the Reason header and issues a new initial INVITE that initiates transfer, which the Oracle® Enterprise Session Border Controller sees as starting a new and independent session.

## SIP hold-refer-reinvite

When SIP hold-refer-reinvite is enabled for REFER with Replaces, the system queues the outgoing Invite populated from the received REFER based on the dialog state.

In a deployment where a call goes through the Oracle® Enterprise Session Border Controller (E-SBC) before going to an Interactive Voice Response (IVR) server, the E-SBC proxies the intermediate reinvite that the IVR sends to the transfer target. If the intermediate reinvite is in either the pending state or the established state when the IVR initiates the transfer to the transfer target, the E-SBC terminates the call prematurely. The hold-refer-reinvite option allows the E-SBC to queue the Out Going INVITE from the received REFER request when the previously proxied reinvite request is in either the pending state or the established state. The result is a successful call.

Enable the SIP hold-refer-reinvite option from the ACLI command line or the Web GUI in Expert mode.

## Enable hold-refer-reinvite - ACLI

The SIP hold-refer-reinvite parameter for REFER with Replaces is a parameter that you enable to prevent premature call termination in a deployment where calls are proxied by the Oracle® Enterprise Session Border Controller.

- Confirm that refer-reinvite is added to realm/SA/SipInterface options.
- Confirm that refer-call-transfer is enabled on realm/SA/SipInterface
- Confirm that the session agent on which you want to enable hold-refer-reinvite is configured.

To enable hold-refer-reinvite, select a configured session agent and enable the parameter on the selected agent.

1. Access the **session-agent** configuration element.

```
ORACLE# configure terminal
ORACLE(configure)# session-router
```

```
ORACLE(session-router)# session-agent
ORACLE(session-agent)
```

2. Type **select**, and press ENTER.  
The system displays a numbered list of session-agents.
3. Type the number of the agent on which you want to enable hold-refer-invite, and press ENTER.
4. Type **hold-refer-reinvite enabled**, and press ENTER.
5. Type **done** to save the configuration.
  - Enable the refer-hold-reinvite parameter in the realm configuration.
  - Enable the refer-hold-reinvite parameter in the session agent configuration.

## SIP Roaming

This section explains how to configure SIP roaming. SIP roaming lets subscribers move from one active SIP device to another (at the same site or multiple sites) and retain service at the last registering device.

### Overview

The Oracle® Enterprise Session Border Controller supports multiple active registrations for the same user. The softswitch makes decisions regarding the current location of the user and the handling of requests from devices that are not currently identified as the user location. When there are multiple NATs, the Oracle® Enterprise Session Border Controller is still required to let the softswitch be able to differentiate it.

The Oracle® Enterprise Session Border Controller's SIP roaming ability supports the following features:

- Multiple active registrations from the same user can be cached, allowing subscribers to move from one active SIP device to another (at the same site or multiple sites) and still retain service at the last registering device. With the SIP roaming feature, one person, using multiple devices, can be contacted at all of the devices. These multiple devices (with their unique contact information) register to indicate that they are available for anyone that wants to contact that one person.
- The Oracle® Enterprise Session Border Controller can also inform network devices (such as softswitches) of private SIP device IPv4 addresses (endpoints) and the public firewall address of the user location.

### Process Overview

Caller 1 wants to contact Person A. Caller 1 sends a message to `persona@acmepacket.com`, but Person A has configured more than one SIP-enabled device to accept messages sent to that address. These devices have unique addresses of `desk@10.0.0.4` and `phone2@10.0.0.5`. Person A has `desk@10.0.0.4` and `phone2@10.0.0.5` registered with the Oracle® Enterprise Session Border Controller for anything addressed to `persona@acmepacket.com`.

With the SIP roaming feature, the Oracle® Enterprise Session Border Controller accepts and stores both registrations for `persona@acmepacket.com`. That way, when someone wants to get in touch with Person A, the messages are sent to both devices

(desk@10.0.0.4 and phone2@10.0.0.5) until Person A answers one of them. You do not need to configure your Oracle® Enterprise Session Border Controller for this functionality; your Oracle® Enterprise Session Border Controller automatically provides it.

## Using Private IPv4 Addresses

In addition to supporting multiple registries, the Oracle® Enterprise Session Border Controller (E-SBC) can also distinguish user locations by their private IPv4 address and the IPv4 address of the public firewall. Using this information, the E-SBC adds private endpoint and public firewall information to Contact headers.

For example, entering this information causes a Contact header that formerly appeared as the following:

```
Contact:<sip:0274116202@63.67.143.217>
```

to subsequently appear as the following:

```
Contact:<sip:0274116202@63.67.143.217;ep=192.168.1.10;fw=10.1.10.21>
```

The E-SBC SIP proxy reads this information and populates the contact-endpoint and contact-firewall fields with the appropriate values.

## Example 1 With a NAT Firewall

The Oracle® Enterprise Session Border Controller (E-SBC) SIP proxy is configured with the following changeable parameters:

- endpoint= IP address of the SIP UA
- useradd= IP address of the Firewall Public IP address or the source layer 3 IP address of Register message
- userport= IP address port number of the Firewall Public IP address or the source layer 3 IP address port of Register message
- E-SBC address=63.67.143.217
- firewall public address=10.1.10.21
- firewall public address port=10000
- SIP endpoint behind firewall=192.168.1.10

SIP message Contact header:

```
Contact:<sip:0274116202@63.67.143.217; endpoint=192.168.1.10;  
useradd=10.1.10.21; userport=10000; transport=udp>
```

## Example 2 Without a NAT Firewall

The Oracle® Enterprise Session Border Controller SIP proxy is configured with the following changeable parameters:

- useradd= IP address of the SIP UA or the source layer 3 IP address of Register message

- userport= IP address port number of the SIP UA or the source layer 3 IP address port of Register message
- Oracle® Enterprise Session Border Controller address=63.67.143.217
- SIP endpoint=192.168.1.10
- SIP endpoint IP address port=5060

SIP message Contact header:

```
Contact:<sip:0274116202@63.67.143.217; useradd=192.168.1.10;
userport=5060; transport=udp>
```

For SIP, the softswitch responsibility is that the URI SD put in the Contact of the REGISTER message should be reflected in the 200-OK response to the REGISTER request. The Contact header of the response should have an expires header parameter indicating the lifetime of the registration.

The following example shows a Oracle® Enterprise Session Border Controller Send:

```
Contact: <sep: 0274116202@63.67.143.217 endpoint=192.168.1.10;
useradd=10.1.10.21; userport=10000>;
```

The following examples shows the softswitch Respond:

```
Contact: <sep: 0274116202@63.67.143.217 endpoint=192.168.1.10;
useradd=10.1.10.21; userport=10000>; expires=360
```

The contact field for endpoint and firewall parameters only appear in the following:

- Contact header of a REGISTER request sent from the Oracle® Enterprise Session Border Controller to the softswitch server
- Contact header of a REGISTER response sent from the softswitch server to the Oracle® Enterprise Session Border Controller
- Request-URI of an initial INVITE sent from the UT CSA server to the Oracle® Enterprise Session Border Controller

An active endpoint is deleted when it does not register within the registration-interval setting or receives a 401 Unauthorized.

## SIP Roaming Configuration

You can configure the SIP configuration's options parameter to indicate that you want to use the private IP address of the SIP device that the user is using and/or the public firewall address that identifies the location of the device. If defined, these options will be added as parameters to all Contact headers.

You can identify the endpoint and/or firewall information using the following options:

- contact-endpoint=<value> where <value> is the endpoint address or label
- contact-firewall=<value> where <value> is the firewall address or label

1. In Superuser mode, type **configure terminal** and press Enter.

```
ORACLE# configure terminal
```

2. Type **session-router** and press Enter to access the system-level configuration elements.

```
ORACLE(configure)# session-router
```

3. Type **sip-config** and press Enter. The system prompt changes to let you know that you can begin configuring individual parameters.

```
ORACLE(session-router)# sip-config  
ORACLE(sip-config)#
```

From this point, you can configure SIP config parameters. To view all SIP config parameters, enter a **?** at the system prompt.

4. Type **options** followed by a Space.
5. After the Space, type the information for an endpoint or a firewall, or both:

```
contact-endpoint="<label>  
contact-firewall="<label>  
"contact-endpoint="<label>","contact-firewall="<label>" "
```

6. Press Enter.

For example, if you want your Oracle® Enterprise Session Border Controller to add private endpoint and public firewall information to Contact headers, and you want to label this information as ep and fw, you would enter the following information in the ACLI.

```
ORACLE(configure)# session-router  
ORACLE(session-router)# sip-config  
ORACLE(sip-config)# options "contact-endpoint="ep",contact-  
firewall="fw" "
```

## Embedded Header Support

This section explains how to configure embedded header support. The Oracle® Enterprise Session Border Controller supports methods of extracting an embedded P-Asserted-Identity header from a contact header to support E911 when integrated with certain vendor's systems. See RFC 3455 *Private Header (P-Header) Extensions to the Session Initiation Protocol (SIP) for the 3rd-Generation Partnership Project (3GPP)* for more information.

The embedded header support feature watches for a specified embedded header contained in a Contact header received in a 3XX message. When the specified embedded header is found, the full <header=value> pair is inserted as a unique header in a redirected INVITE message that exits the Oracle® Enterprise Session Border Controller. If the outgoing INVITE message were to contain the specified header, regardless of the use of this feature, the value extracted from the 3XX message replaces the INVITE message's specified header value.

If an incoming Contact header in a 3XX message looks like:

```
Contact: <ESRN@IPv4_Intrado_GW;user=phone?P-Asserted-Identity=%3Csip:+1-ESQK@IPv4_My_EAG;user=phone%3E>
```

Then, if you configure your Oracle® Enterprise Session Border Controller to parse for the embedded P-Asserted-Identity header to write as a unique header in the outgoing invite message, the outgoing INVITE and P-Asserted-Identity headers will look like:

```
INVITE SIP: ESRN@IPv4_Intrado_GW;user=phone  
P-Asserted-Identity: +1-ESQK@IPv4_My_EAG;user=phone
```

## Embedded Header Support Configuration

Embedded header support is enabled in the session agent configuration.

To configure embedded header support:

1. In Superuser mode, type **configure terminal** and press Enter.

```
ORACLE# configure terminal
```

2. Type **session-router** and press Enter to access the system-level configuration elements.

```
ORACLE(configure)# session-router
```

3. Type **session-agent** and press Enter. The system prompt changes to let you know that you can begin configuring individual parameters.

```
ORACLE(session-router)# session-agent  
ORACLE(session-agent)#
```

4. Select the session agent where you want this feature.

```
ORACLE(session-agent)# select  
<hostname>:  
1: asd          realm=      ip=1.0.0.0  
2: SIPSA       realm=      ip=10.10.102.1  
selection:2  
ORACLE(session-agent)#
```

5. **request-uri-headers**—Enter a list of embedded headers extracted from the Contact header that will be inserted in the re INVITE message. To configure this parameter for multiple headers, enclose the headers in double quotes and separate them with spaces. This completes the configuration of embedded header support.

```
ORACLE(session-agent)# request-uri-headers P-Asserted-Identity
```

# Dialog Transparency

This section explains how to configure dialog transparency, which prevents the Oracle® Enterprise Session Border Controller from generating a unique Call-ID and modifying dialog tags.

## Overview

With dialog transparency enabled, the Oracle® Enterprise Session Border Controller is prevented from generating a unique Call-ID and from modifying the dialog tags; the Oracle® Enterprise Session Border Controller passes what it receives. Therefore, when a call made on one Oracle® Enterprise Session Border Controller is transferred to another UA and crosses a second Oracle® Enterprise Session Border Controller, the second Oracle® Enterprise Session Border Controller does not note the context of the original dialog, and the original call identifiers are preserved end to end. The signalling presented to each endpoint remains in the appropriate context regardless of how many times a call crosses through a Oracle® Enterprise Session Border Controller or how many Oracle® Enterprise Session Border Controllers a call crosses.

Without dialog transparency enabled, the Oracle® Enterprise Session Border Controller's SIP B2BUA rewrites the Call-ID header and inserted dialog cookies into the From and To tags of all messages it processes. These dialog cookies are in the following format: SDxxxxxNN-. Using these cookies, the Oracle® Enterprise Session Border Controller can recognize the direction of a dialog. However, this behavior makes call transfers problematic because one Oracle® Enterprise Session Border Controllers' Call-ID might not be properly decoded by another Oracle® Enterprise Session Border Controller. The result is asymmetric header manipulation and failed call transfers.

## Dialog Transparency Configuration

You set one parameter in your SIP configuration to enable dialog transparency.

- For new configurations, this feature defaults to enabled  
To enable SIP dialog transparency:
1. In Superuser mode, type **configure terminal** and press Enter.

```
ORACLE# configure terminal
```

2. Type **session-router** and press Enter to access the **session-router** path.

```
ORACLE(configure)# session-router
```

3. Type **sip-config** and press Enter. The system prompt changes to let you know that you can begin configuring individual parameters.

```
ORACLE(session-router)# sip-config
```

4. Use the ACLI **select** command so that you can work with the SIP configuration.

```
ORACLE(sip-config)# select
```



5. **dialog-transparency**—Enter the state of SIP dialog transparency you require for your Oracle® Enterprise Session Border Controller. The default value is **enabled**. The valid values are:
  - enabled | disabled

## Route Header Removal

This section explains how to enable the Oracle® Enterprise Session Border Controller to disregard and strip all SIP Route headers. You set an option in a SIP interface configuration to strip all Route headers for SIP requests coming from this interface.

When the Oracle® Enterprise Session Border Controller with this option configured receives an INVITE from an interface, it removes the route headers. However, although it removes the headers, the Oracle® Enterprise Session Border Controller maintains backward compatibility with RFC 2543 nodes. To do so, it normalizes the request to an RFC 3261 loose routing form before it removes the headers.

## Route Header Removal Configuration

The following information explains how to remove SIP route headers.

To configure SIP route header removal:

1. In Superuser mode, type **configure terminal** and press Enter.

```
ORACLE# configure terminal
```

2. Type **session-router** and press Enter to access the signaling-level configuration elements.

```
ORACLE(configure)# session-router  
ORACLE(session-router)#
```

3. Type **sip-interface** and press Enter. The system prompt changes to let you know that you can begin configuring individual parameters.

```
ORACLE(session-router)# sip-interface  
ORACLE(sip-interface)#
```

4. Type **options strip-route-headers** and press Enter. This completes the configuration of SIP route header removal.

```
ORACLE(sip-interface)# options strip-route-headers
```

## SIP Via Transparency

This section explains the inbound Via header transparency feature, which enables the Oracle® Enterprise Session Border Controller to insert its Via header on top of the top-most Via header received from user equipment (UE). It then forwards it on to the IP Multimedia Subsystem (IMS) core with the original Via header now located as the bottom-most Via header.

The Oracle® Enterprise Session Border Controller still replaces the Contact and other header addresses with its own, and does not pass on the core's Via headers in outbound requests.

This feature is targeted for the Telecoms & Internet converged Services & Protocols for Advanced Networks (TISPAN) with SIP hosted NAT traversal support. It works with SIP NAT bridged, local-policy routed, and non-SIP NAT configurations, regardless of registration handling.

Some equipment acts as Proxy-CSCF (P-CSCF) and Serving-CSCF (S-CSCF) nodes, with the Oracle® Enterprise Session Border Controller is located between the equipment and user endpoints. The equipment needs to see the each user endpoint's original Via header in order to perform some implicit authentication, admission, and control functions in a TISPAN-compliant model.

You enable Via header transparency on the access SIP interface. Received Via headers are saved for inclusion in requests going out another interface or session agent that does not have the parameter set, in other words, the core side. For any received SIP message where the inbound previous hop interface was enabled for Via header transparency, the Oracle® Enterprise Session Border Controller adds its own Via header as it forwards it, and it also copies the received top-most Via as the new bottom-most Via, if the outbound next hop interface/session agent is not enabled for Via header transparency. The Oracle® Enterprise Session Border Controller also adds a received= parameter to the copied Via header, per the SIP RFC 3261.

Any message received from an interface without Via header transparency enabled, does not have the received Via header copied over to any other direction.

For HNT, where the original top-most (and only) Via header from a UE is a private/false address, the SD should still copy that false address into the core-side, and the received= parameter will contain the real Layer-3 addressing.

## SIP Via Transparency Configuration

You can configure SIP Via header transparency for the access SIP interface using the ACLI.

To configure SIP Via header transparency for an access interface:

1. In Superuser mode, type **configure terminal** and press Enter.

```
ORACLE# configure terminal
```

2. Type **session-router** and press Enter to access the media-level configuration elements.

```
ORACLE(configure)# session-router  
ORACLE(session-router)#
```

3. Type **sip-interface** and press Enter. The system prompt changes to let you know that you can begin configuring individual parameters.

```
ORACLE(session-router)# sip-interface  
ORACLE(sip-interface)#
```

4. You can either add support to a new SIP interface configuration or to an existing SIP interface configuration:

For a new SIP interface configuration, you can add the option by typing options, a Space, and then via-header-transparency.

```
ORACLE(sip-interface)# options via-header-transparency
```

For an existing SIP interface configuration without options configured, select the SIP interface, type options followed by a Space, and then via-header-transparency.

```
ORACLE(sip-interface)# select
ORACLE(sip-interface)# options via-header-transparency
```

For an existing SIP interface configuration with options configured, select the SIP interface, type options followed by a Space, the plus sign (+), and the via-header-transparency option.

```
ORACLE(sip-interface)# select
ORACLE(sip-interface)# options +via-header-transparency
```

5. Save your work using the ACLI **save** or **done** command.

## Symmetric Latching

Symmetric latching, or forced HNT, ensures that symmetric RTP/RTCP is used for a SIP endpoint. Symmetric RTP/RTCP means that the IP address and port pair used by an outbound RTP/RTCP flow is reused for the inbound flow. The IP address and port are learned when the initial RTP/RTCP flow is received by the Oracle® Enterprise Session Border Controller. The flow's source address and port are latched onto and used as the destination for the RTP/RTCP sourced by the other side of the call. The IP address and port in the c line and m line respectively in the SDP message are ignored.

If your network is configured with nested realms in order to separate signalling from media, make sure that the symmetric latching feature is enabled on the signalling realm.

### Note:

This description is applicable to RTCP only when you also enable the HNT RTCP option in the media-manager configuration. Do not enable symmetric latching on core-facing interfaces.

## Symmetric Latching Configuration

To configure symmetric latching:

1. Access the **realm-config** configuration element.

```
ORACLE# configure terminal
ORACLE(configure)# media-manager
ORACLE(media-manager)# realm-config
ORACLE(realm-config)#
```

2. Select the **realm-config** object to edit.

```
ORACLE(realm-config)# select
identifier:
1: realm01 left-left:0 0.0.0.0

selection: 1
ORACLE(realm-config)#
```

3. **symmetric-latching** — identifies whether and how to enable symmetric latching on the SBC. This completes the configuration of forced Hosted NAT Traversal (HNT). The default value for this parameter is **disabled**. The valid values are:

- **disabled** —
- **enabled** —
- **pre-emptive** —

```
ORACLE(realm-config)# symmetric-latching pre-emptive
```

4. Type **done** to save your configuration.

## Enabling RTCP Latching

To enable RTCP symmetric latching:

1. In Superuser mode, type **configure terminal** and press Enter.

```
ORACLE# configure terminal
```

2. Type **media-manager** and press Enter to access the media-level configuration elements.

```
ORACLE(configure)# media-manager
ORACLE(media-manager)#
```

3. Type **media-manager** and press Enter. The system prompt changes to let you know that you can begin configuring individual parameters.

```
ORACLE(media-manager)# media-manager
ORACLE(media-manager-config)#
```

4. Select the media manager configuration so that you can enable HNT RTCP.

```
ORACLE(media-manager-config)# select
```

5. **hnt-rtcp** — Enable support of RTCP when the SBC performs HNT. The default value is **disabled**. The valid values are:

- enabled | disabled

```
ORACLE(media-manager-config)# hnt-rtcp enabled
```

6. Save your work using either the ACLI **save** or **done** command.

## SIP Number Normalization

This section explains the SIP number normalization feature that applies to the SIP To URI. (Currently the Oracle® Enterprise Session Border Controller supports number normalization on From and To addresses for both inbound and outbound call legs.) Number normalization includes add, delete, and replace string functions that result in consistent number formats.

Number normalization is supported for the following call types:

- SIP to SIP
- H.323 to SIP

Number normalization applies to the SIP To URI. It occurs on ingress traffic, prior to the generation of accounting records or local policy lookups. RADIUS CDR attributes are populated with the normalized numbers. Local policy matching is based on the normalized numbers.

## Terminology

The following lists explains the terminology used later.

- X is any digit having the value 0 through 9
- N is any digit having the value 2 through 9
- 0/1 is a digit having the value of either 0 or 1
- NXX is a form of Numbering Plan Area (NPA).
- CC is a 1, 2, or 3 digit country code used in international dialing
- NN is a national number that can be a four to fourteen digit national number used in international dialing, where the combination of CC+NN is a 7 to 15 digit number.
- + symbol in E.164 indicates that an international prefix is required
- E.164 numbers are globally unique, language independent identifiers for resources on Public Telecommunication Networks that can support many different services and protocols.
- N11 number is any of the three-digit dialing codes in the form N11 used to connect users to special services, where N is a digit between 2 and 9

## Calls from IP Endpoints

The Oracle® Enterprise Session Border Controller uses the following number normalization rules:

- North American Numbering Plan (NANP) calls: where a number with the format 1NPANXXXXXX is received, the Oracle® Enterprise Session Border Controller adds a plus sign (+) as a prefix to the NANP number. The Oracle® Enterprise Session Border Controller also adds the string ;user=phone after the host IP address in the SIP URI. For example:

```
sip:+1NPANXXXXXX@ipaddr;user=phone
```

- International NWZ1 calls: Oracle® Enterprise Session Border Controller receives an international call with the format 011CCNN. The Oracle® Enterprise Session Border Controller deletes the 011 prefix and adds a plus sign (+) as a prefix to CC+NN; and also adds the string ;user=phone after the host IP address in the SIP URI. For example:

```
sip:+CCNN@ipaddr;user=phone
```

- Private number calls: when a private number with the format nxxxx (where n=2 through 9) is received, no number normalization is applied by the Oracle® Enterprise Session Border Controller.
- Calls to numbers such as N11, 0-, 0+, 00-, and 01+: the Oracle® Enterprise Session Border Controller adds ;phone-context=+1 after the number and also adds the string ;user=phone after the host IP address in the SIP URI. For example:

```
sip:N11;phone-context=+1@ipaddr;user=phone  
sip:01CCNN;phone-context=+1@ipaddr;user=phone
```

- Calls with numbers that are already normalized are not modified by the Oracle® Enterprise Session Border Controller.

## Calls from IP Peer Network

For calls received from external peer networks, the Oracle® Enterprise Session Border Controller uses the following number normalization rules:

- Global numbers such as NANP and international E.164 numbers should have already been normalized. If not, the Oracle® Enterprise Session Border Controller applies the same number normalization rules listed in the prior section.
- Calls to numbers such as N11, 0-, 0+, 00-, and 01+: the Oracle® Enterprise Session Border Controller adds ;phone-context=+1 after the number and also adds the string ;user=phone (if absent) after the host IP address in the SIP URI.

## SIP Number Normalization Configuration

You can configure SIP number normalization for the realm and session agent using the ACLI.

### Realm

To configure SIP number normalization for a realm:

1. In Superuser mode, type **configure terminal** and press Enter.

```
ORACLE# configure terminal
```

2. Type **media-manager** and press Enter to access the media-level configuration elements.

```
ORACLE(configure)# media-manager  
ORACLE(media-manager)#
```

3. Type **realm-config** and press Enter. The system prompt changes to let you know that you can begin configuring individual parameters.

```
ORACLE(media-manager)# realm-config  
ORACLE(realm-config)#
```

4. You can either add SIP number normalization support to a new session agent configuration or to an existing session agent configuration:
  - For a new realm configuration, add the option by typing **options**, a Space, and then **number-normalization**.

```
ORACLE(realm-config)# options number-normalization
```

- For an existing realm configuration without any options already configured, select the realm, type **options** followed by a Space, and then **number-normalization**.

```
ORACLE(realm-config)# select  
ORACLE(realm-config)# options number-normalization
```

- For an existing realm configuration with other options, select the realm, type **options** followed by a Space, the plus sign (+), and the **number-normalization** option.

```
ORACLE(realm-config)# select  
ORACLE(realm-config)# options +number-normalization
```

5. Save your work using the ACLI **save** or **done** command.

## Session Agent

To configure SIP number normalization for a session agent:

1. In Superuser mode, type **configure terminal** and press Enter.

```
ORACLE# configure terminal
```

2. Type **session-router** and press Enter to access the media-level configuration elements.

```
ORACLE(configure)# session-router  
ORACLE(session-router)#
```

3. Type **session-agent** and press Enter. The system prompt changes to let you know that you can begin configuring individual parameters.

```
ORACLE(session-router)# session-agent
ORACLE(session-agent)#
```

4. You can either add SIP number normalization support to a new session agent configuration or to an existing session agent configuration:
  - For a new a session agent configuration, add the option by typing **options**, a Space, and then **number-normalization**.

```
ORACLE(session-agent)# options number-normalization
```

- For an existing session agent configuration without any options already configured, select the session agent, type **options** followed by a Space, and then **number-normalization**.

```
ORACLE(session-agent)# select
ORACLE(session-agent)# options number-normalization
```

- For an existing session agent configuration with other options, select the session agent, type **options** followed by a Space, the plus sign (+), and the **number-normalization** option.

```
ORACLE(session-agent)# select
ORACLE(session-agent)# options +number-normalization
```

5. Save your work using the ACLI **save** or **done** command.

## SIP Port Mapping

This section contains information about the SIP port mapping feature. SIP port mapping lets you allocate a unique SIP signaling transport address (IP address and UDP port) on the Oracle® Enterprise Session Border Controller in the provider network for each registered endpoint (user agent).

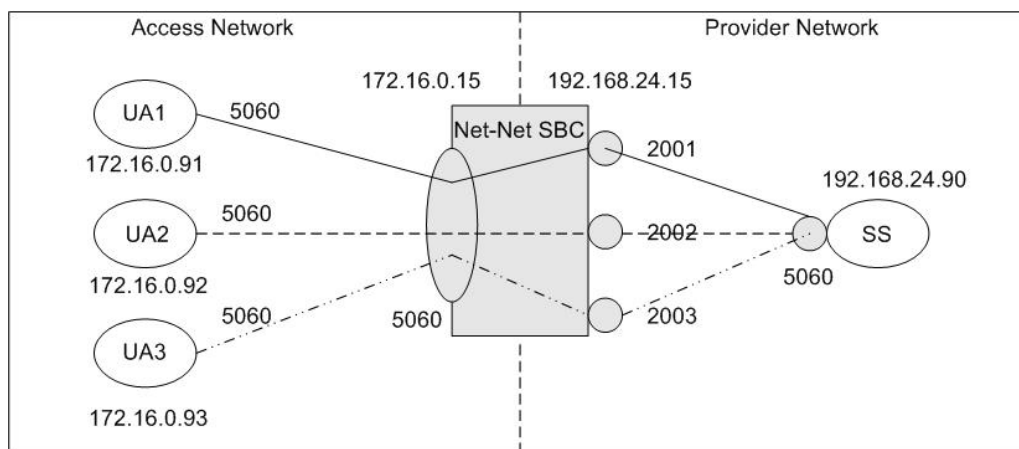
### About SIP Port Mapping

You might need to provide a unique signaling transport address for each registered endpoint for admission control, if required by your softswitch vendor. If you have questions about your softswitch, contact the vendor for assistance.

When a Oracle® Enterprise Session Border Controller resides between the endpoints and the softswitch, the softswitch sees the same transport address (that of the Oracle® Enterprise Session Border Controller) for all endpoints. By allocating a unique UDP port for each endpoint, the Oracle® Enterprise Session Border Controller provides each of them a unique transport address.

The following example illustrates the SIP port mapping feature.





The diagram shows UA1, UA2, and UA3 are endpoints within the access network and that the SIP interface for the access network is 172.16.0.15:5060. On the provider network, the SIP interface is at 192.168.24.15, with the SIP port mapping feature enabled. The softswitch/registrar is also located on the provider network at 192.168.24.90:5060.

The diagram shows that port 2001 on the provider network is allocated to UA1 on the access network, port 2002 is allocated to UA2, and port 2003 is allocated to UA3. Because of this allocation, all SIP signaling messages sent from the endpoints in the access network to the softswitch on the provider network travel through an allocated signaling port. For example, all signaling messages between UA1 and the softswitch use 192.168.24.15:2001 as the transport address.

## How SIP Port Mapping Works

The Oracle® Enterprise Session Border Controller (E-SBC) allocates SIP port mapping (signaling) ports during a REGISTER request that has registration caching applied. When you define a range of signaling ports for the SIP interface, you create a pool of signaling ports that can be allocated during the REGISTER request.

The E-SBC allocates a signaling port from the pool when it creates the registration cache entry for a Contact in a REGISTER request. It allocates a separate signaling port for each unique Contact URI from the access side. The registration cache Contact entry contains the mapping between the Contact URI in the access/endpoint realm (the UA-Contact) and the Contact URI in the registrar/softswitch realm (the SD-Contact).

The SD-Contact is the allocated signaling port. The signaling port gets returned to the pool when the Contact is removed from the registration cache. The removal can occur when the cache entry expires; or when the endpoint sends a REGISTER request to explicitly remove the Contact from the registrar. When a signaling port returns to the pool it gets placed at the end of pool list; in a least-recently-used allocation method for signaling ports.

When the E-SBC forwards the REGISTER request to the softswitch, it replaces the UA-Contact with SD-Contact. For example, if UA1 sends a REGISTER request with a Contact URI of sip:ua1@172.16.0.91:5060, it is replaced with sip:192.168.24.15:2001 when the REGISTER request is forwarded to the registrar.

The same translation occurs when UA1 sends that same URI in the Contact header of other SIP messages. SIP requests addressed to the allocated signaling transport

address (SD-Contact) are translated and forwarded to the registered endpoint contact address (UA-Contact).

 **Note:**

The maximum number of registered endpoints cannot exceed the number of signaling ports available. If no signaling ports are available for a new registration, the REGISTER request receives a 503 response.

The E-SBC still processes requests received on the configured SIP port address. Requests sent into the registrar/softswitch realm that are not associated with a registered user will use the configured SIP port address.

Using SIP port mapping with SIPconnect—where unique ports are used for each registered PBX—hinders the E-SBC from routing incoming calls to the corresponding PBX because the E-SBC uses DN for the PBX's parent during registration, but the incoming INVITE from the softswitch contains the child DN in its Request URI. Thus the E-SBC cannot find a matching SBC-Contact because the username of the Request URI contains the child DN, but the username of the SBC-Contact contains the parent DN.

You can enable SIPconnect support in either the realm configuration or session agent for the SIP access network by setting the **sip-connect-pbx-reg** option. With this option set and the destination realm configured for port mapping, the E-SBC inserts a special search key in the registration table. Rather than adding the SD-Contact as the key as with regular (non-SIPconnect) registrations, the E-SBC strips user information and instead uses the host and port information as the registration key. The E-SBC still forwards the registration message with an intact contact username.

## SIP Port Mapping Based on IP Address

Some registrars need to know that multiple contacts represent the same endpoint. The extension to this feature answers the expectation from registrars that an endpoint registering multiple AoRs will use a single core-side mapped port to show that the AoRs really represent a single endpoint.

When you enable SIP port mapping based on IP Address, the Oracle® Enterprise Session Border Controller supports core-side UDP port mapping based on the endpoint's IP address. It ignores the username portion of the AoR or Contact.

The Oracle® Enterprise Session Border Controller performs the port mapping allocation and lookup based on all requests using the via-key from the SIP Request. The via-key is a combination of Layer 3 and Layer 5 IP information in the message. The Oracle® Enterprise Session Border Controller performs an additional lookup in the registration table to determine if a via-key already exists. If it does, then the Oracle® Enterprise Session Border Controller uses the port already allocated and does not allocate a new one.

## About NAT Table ACL Entries

To enable SIP signaling messages to reach the host processor, the Oracle® Enterprise Session Border Controller adds NAT table ACL entries for each SIP interface. With

UDP without SIP port mapping applied, it adds a single ACL entry for each SIP port in the SIP interface configuration. For example:

```
untrusted entries:
intf:vlan source-ip/mask:port/mask dest-ip/mask:port/mask  prot
type      index
0/0:0     0.0.0.0                172.16.1.15:5060      UDP
static    10
0/3:0     0.0.0.0                192.168.24.15:5060   UDP
static    16
0/1:0     0.0.0.0                192.168.50.25:5060   UDP
static    17
```

## Using SIP Port Mapping

When you use SIP port mapping, one or more ACL entries are added to the NAT table to enable the range of ports defined. The NAT table does not support the specification of port ranges. However, it does support masking the port to enable ranges that fall on bit boundaries. For example, an entry for 192.168.24.15:4096/4 defines the port range of 4096 through 8191.

The algorithm for determining the set of ACLs for the port map range balances the need to represent the range as closely as possible, with the need to minimize the number of ACL entries. For example, a range of 30000 through 39999 would result in the following set of ACLs.

```
untrusted entries:
intf:vlan source-ip/mask:port/mask dest-ip/mask:port/mask  prot
type      index
0/3:0     0.0.0.0                192.168.24.15:30000/4  UDP
static    13
0/3:0     0.0.0.0                192.168.24.15:32768/4  UDP
static    14
0/3:0     0.0.0.0                192.168.24.15:36864/4  UDP
static    15
```

However, the first entry actually enables ports 28672 through 32767 and the last entry allows port 36864 through 40959. If SIP messages are received on ports outside the configured range (28672 through 29999 or 40000 through 40959 in this case), they are ignored.

Acme Packet recommends you use port map ranges that fall on bit boundaries to ensure the fewest possible ACL entries are created and only the configured ports are allowed by the ACLs. For example, a range of 32768 to 49151 provides for 16,384 signaling ports in a single ACL entry (192.168.24.15:32768/2).

### Note:

If the ACLs added for the port map range do not include the SIP port configured in the SIP interface; the normal SIP ACL entry for the SIP port is also added.

## Dynamic Configuration

Dynamic configuration of SIP port mapping can cause disruption in service for existing registration cache entries; depending on the changes made to the defined port map range. If the range of mapping ports is reduced, it is possible that SIP signaling messages from the registrar/softswitch realm will no longer be sent to the host processor because of the changes in the NAT Table ACL entries.

When the range of mapping ports is changed, any signaling ports in the free signaling port pool not allocated to a registration cache entry are removed from the pool. When an allocated signaling port that is no longer part of the defined mapping port range is released, it is not returned to the pool of free steering ports.

The administrator is warned when the changed configuration is activated after the port map range of a SIP interface has been changed.

## Registration Statistics

The SIP registration cache statistics include counters for free and allocated signaling ports. You can issue a show registration command to display the statistics:

```
17:36:55-190
SIP Registrations          -- Period -- ----- Lifetime -----
                          Active  High  Total      Total  PerMax  High
User Entries             4      4      0          7      4      4
Local Contacts         4      4      0          7      4      4
Free Map Ports            12284  12284  0         12291  12288  12288
Used Map Ports            4      4      0          7      4      4
Forwards                  -      -      1          22     4
Refreshes                  -      -      3          43     3
Rejects                    -      -      0           0     0
Timeouts                   -      -      0           1     1
Fwd Postponed              -      -      0           0     0
Fwd Rejected               -      -      0           0     0
Refr Extension             0      0      0           0     0      0
Refresh Extended           -      -      0           0     0
```

The labels for the first two items reflect the restructured registration cache:

- **User Entries:** counts the number of unique SIP addresses of record in the cache. Each unique address of record represents a SIP user (or subscriber). The address of record is taken from the To header in the REGISTER request. There might be one or more registered contacts for each SIP user. The contacts come from the Contact header of the REGISTER request.
- **Local Contacts:** counts the number of contact entries in the cache. Because the same user can register from multiple endpoints (user agents); the number of Local Contacts might be higher than the number of User Entries.
- **Free Map Ports:** counts the number of ports available in the free signaling port pool.
- **Used Map Ports:** counts the number of signaling ports allocated for registration cache entries. The value of Used Map Ports will equal the number of Local

Contacts when the port mapping feature is used for all registrar/softswitch realms in the Oracle® Enterprise Session Border Controller.

## SIP Port Mapping Configuration

You configure the SIP port mapping feature on a per-realm basis using the SIP interface configuration. Configure the port map range on the SIP interface for the realm where the registrar/softswitch resides. Port mapping is only applied when the access/ingress realm has registration caching and/or HNT enabled.

The range of SIP mapping ports must not overlap the following:

- Configured SIP port, which might be used for signaling messages not associated with a registered endpoint.
- Port range defined for steering pool configuration using the same IP address as the SIP interface. If overlap occurs, the NAT table entry for the steering port used in a call prevents SIP messages from reaching the host processor.

To configure SIP port mapping:

1. In Superuser mode, type **configure terminal** and press Enter.

```
ORACLE# configure terminal
```

2. Type **session-router** and press Enter to access the session-router path.

```
ORACLE(configure)# session-router
```

3. Type **sip-interface** and press Enter. The system prompt changes to let you know that you can begin configuring individual parameters.

```
ORACLE(session-router)# sip-interface
```

```
ORACLE(sip-interface)#
```

4. **port-map-start**—Set the starting port for the range of SIP ports available for SIP port mapping. The valid range is 1025 through 65535. The default value is 0 and when this value is set, SIP port mapping is disabled. The valid range is:

- Minimum: 0, 1025
- Maximum: 65535

```
ORACLE(sip-interface)# port-map-start 32768
```

5. **port-map-end**—Set the ending port for the range of SIP ports available for SIP port mapping. The valid range is 1025 through 65535. If you set the value to the default 0, SIP port mapping is disabled. The valid range is:

- Minimum—0, 1025
- Maximum—65535

 **Note:**

If not set to zero (0), the ending port must be greater than the starting port.

```
ORACLE(sip-interface)# port-map-end 40959
```

- options**—If you want to use SIP port mapping based on IP address, set the options parameter by typing **options**, a Space, the option name **reg-via-key** with a plus sign in front of it, type the equal sign and the word **all**. Then press Enter.

```
ORACLE(sip-interface)# options +reg-via-key=all
```

**If you type the option without the plus sign, you will overwrite any previously configured options. In order to append the new options to this configuration's options list, you must prepend the new option with a plus sign as shown in the previous example.**

- Save your work using the ACLI **done** command.

The following example shows SIP port mapping configured for a SIP interface:

```

sip-interface
  state                               enabled
  realm-id                             backbone
  sip-port
    address                            192.168.24.15
    port                                5060
    transport-protocol                  UDP
    allow-anonymous                      all
  sip-port
    address                            192.168.24.15
    port                                5060
    transport-protocol                  TCP
    allow-anonymous                      all
  carriers
  proxy-mode
  redirect-action
  contact-mode                          none
  nat-traversal                          none
  nat-interval                           30
  registration-caching                   enabled
  min-reg-expire                          120
  registration-interval                   3600
  route-to-registrar                     enabled
  teluri-scheme                           disabled
  uri-fqdn-domain
  trust-mode                              agents-only
  max-nat-interval                       3600
  nat-int-increment                       10
  nat-test-increment                      30
  sip-dynamic-hnt                         disabled
  stop-recurse                            401,407

```

port-map-start	32768
port-map-end	40959
last-modified-date	2005-09-23 14:32:15

## SIP Port Mapping for TCP and TLS

In releases prior to S-C6.2.0, the Oracle® Enterprise Session Border Controller (E-SBC) supports SIP port mapping for UDP and now you can enable this feature for SIP sessions using TCP and TLS. Port mapping enables the E-SBC to allocate a unique port number for each endpoint registering through it by giving it a transport address (or hostport) in the registered Contact.

When you enable this feature for TCP and TLS, the E-SBC designates a port from a configured range for each endpoint that registers with SIP servers in the SIP interface's realm. You establish that range of ports using the **port-map-start** and **port-map-end** parameters. Unlike its behavior with UDP port mapping—where the E-SBC sends requests on the SIP interface from the allocated port mapping, the E-SBC sends all requests over an existing connection to the target next hop for TCP/TLS port mapping. If a connection does not exist, the system creates one. So for TCP/TLS port mapping, only the Contact header contains the transport address of the mapping port (i.e., the transport address of the configured SIP port). And the system refuses TCP and TLS connections on the allocated mapping port.

With TCP/TLS port mapping enabled, the E-SBC sends the Path header with the transport address in Register requests, unless you specify that it should not do so. Standards-conformant SIP servers (that support RFC 3327) might attempt to send requests to the allocated mapping port if the Path header is absent.

### Note:

ACL entries in the NAT table that permit TCP/TLS signaling for a SIP port configuration with TCP/TLS port mapping are the same as they would be for a TCP/TLS SIP port without port mapping enabled. Additional ACL entries that need to be set up for UDP port mapping are not required for TCP/TLS port mapping.

RTN 1684

## SIP Port Mapping Configuration for TCP TLS

You enable TCP/TLS port mapping in a per-realm basis using the SIP interface configuration; setting the **tcp-port-mapping** value in the **options** parameter enables the feature. Enabling this parameter turns on the port mapping feature for UDP as well.

By default, the Oracle® Enterprise Session Border Controller includes the Path header in Register requests it sends from that SIP interface. If you do not this header to be included, however, you can set the value as **tcp-port-mapping=nopath**.

To enable TCP/TLS port mapping for a SIP interface:

1. In Superuser mode, type **configure terminal** and press Enter.

```
ORACLE# configure terminal  
ORACLE(configure)#
```

2. Type **session-router** and press Enter.

```
ORACLE(configure)# session-router  
ORACLE(session-router)#
```

3. Type **sip-interface** and press Enter. If you are adding this feature to a pre-existing configuration, you will need to select and edit it.

```
ORACLE(session-router)# sip-interface  
ORACLE(sip-interface)#
```

4. **options**—Set the options parameter by typing **options**, a Space, the option name **tcp-port-mapping** with a plus sign in front of it, and then press Enter.

```
ORACLE(sip-interface)# options +tcp-port-mapping
```

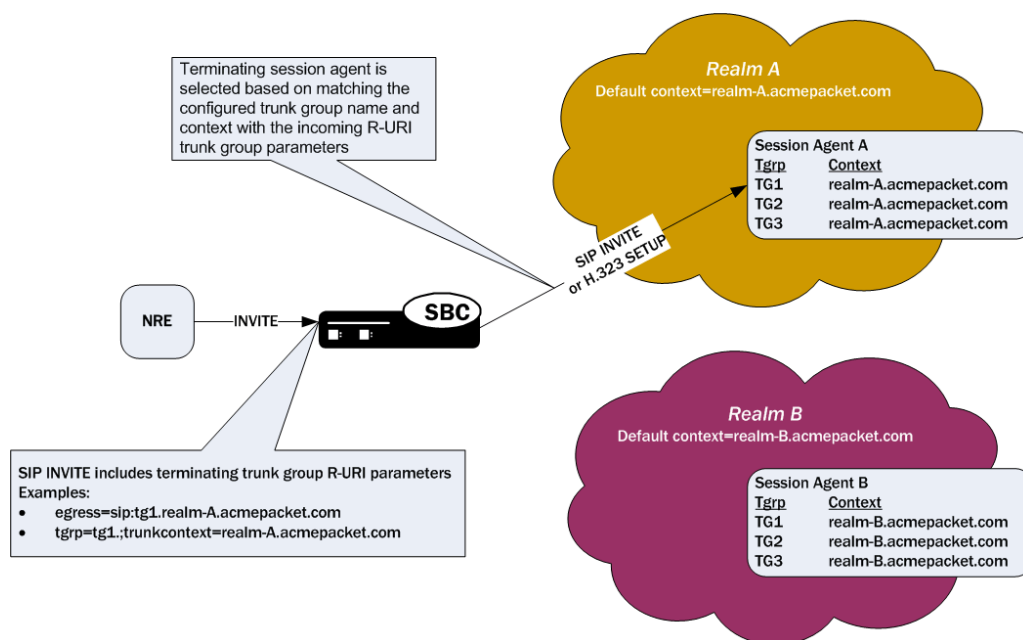
If you type the option without the plus sign, you will overwrite any previously configured options. In order to append the new options to the realm configuration's options list, you must prepend the new option with a plus sign as shown in the previous example.

5. Save your work.

## Terminating Trunk Group URI Parameters and Formats

Terminating trunk group URI parameters appear in the R-URI, and they can be included in by a network routing element to instruct the Oracle® Enterprise Session Border Controller which egress trunk groups to use. By matching the trunk group URI parameter with configured session agents or session agent groups, the Oracle® Enterprise Session Border Controller can locate the terminating gateway. The trunk group name can also be expressed as the IP address of the terminating gateway.





In the absence of official SIP standards for transporting trunk groups between signaling elements, the Oracle® Enterprise Session Border Controller allows you to define the URI parameters used in terminating trunk groups.

There are two available formats for the terminating trunk group URIs:

1. In compliance with the IPTEL draft, the first format has two parameters: tgrp (which can be either a trunk group name or an IP address) and trunk-context (defines the network domain of the trunk group). These appear in the following formats:

- tgrp="trunk group name"
- trunk-context="network domain"

An example R-URI with terminating trunk group parameters appears as follows, where the tgrp is TG2-1 and the context is isp.example.net@egwy.isp.example.net:

```
INVITE sip:+15555551212;tgrp=TG2-1;trunk-
context=isp.example.net@egwy.isp.example.net SIP/2.0
```

2. The second format is customized specifically for egress URIs and contains two provisioned parameters: tgrp (or tgroupName) and context (or tgdomain). This appears as tgrp.context (or tgroupName.tgdomain), where definitions apply:

- tgrp (tgroupName)—Provisioned trunk group name for the originating session agent; this value must have at least one alphabetical character, cannot contain a period (.), and can contain a hyphen (-) but not as the first or the last character
- context (tgdomain)—Name of the terminating trunk group context; this value can be up to twenty-four characters

The use of multiple terminating trunk groups is not supported.

The BNF for a single, egress URI with trunk group information conforms to:

```
SIP-URI = "sip:" [userinfo ] hostport uri-parameters [headers ]
uri-parameters = *( ";" uri-parameter )
uri-parameter = transport-param / user-param / method-param
                / ttl-param / maddr-param / lr-param / other-param
other-param = egressid / pname [ '=' pvalue ]
egressid = "egress=" egressURI
egressURI = scheme tname [ "." tgdomain ]
scheme = "sip:" / token
tname = ALPHA / *(alphanum) ALPHA *(alphanum / "-") alphanum /
        alphanum *(alphanum / "-") ALPHA *(alphanum) # up to 23
        characters
tgdomain = *(domain ".") toplabel # up to 24 characters
toplabel = ALPHA / ALPHA *( alphanum / "-") alphanum
domain = alphanum/ alphanum *( alphanum / "-") alphanum
```

For all trunk group URI support, you must set the appropriate parameters in the SIP manipulations configuration and in the session agent or session agent group configurations.

In the originating trunk group URI scenario, a call arrives at the Oracle® Enterprise Session Border Controller from a configured session agent or session agent group. If this session agent or session agent group has the appropriate trunk group URI parameters and inbound manipulation rules configured, the Oracle® Enterprise Session Border Controller then looks to the SIP manipulations configuration and add the trunk group URI information according to those rules. Those rules tell the Oracle® Enterprise Session Border Controller where and how to insert the trunk group URI information, and the Oracle® Enterprise Session Border Controller forwards the call.

In the terminating trunk group scenario, a call arrives at the Oracle® Enterprise Session Border Controller from, for instance, a call agent. This call contains information about what trunk group to use. If the information matches a session agent or session agent group that has outbound manipulation rules configured, the Oracle® Enterprise Session Border Controller will then look up the SIP manipulations configuration and strip information according to those rules. Those rules tell the Oracle® Enterprise Session Border Controller where and how to remove the information, and the Oracle® Enterprise Session Border Controller forwards the call.

## SIP Configurable Route Recursion

When the Oracle® Enterprise Session Border Controller routes SIP requests from a UAC to a UAS, it might determine that there are multiple routes to try based on a matching local policy. The Oracle® Enterprise Session Border Controller recurses through the list of routes in a specific order according to your configuration and the quality of the match. There are other scenarios when a UAS replies with a 3xx Redirect response to the Oracle® Enterprise Session Border Controller, the 3xx response can include multiple Contacts to which the request should be forwarded in a specific order. In both cases, the Oracle® Enterprise Session Border Controller needs to recurse through a list of targets.

When the Oracle® Enterprise Session Border Controller receives a non-successful (or non-6xx response) final response from the UAS, and there are multiple targets for

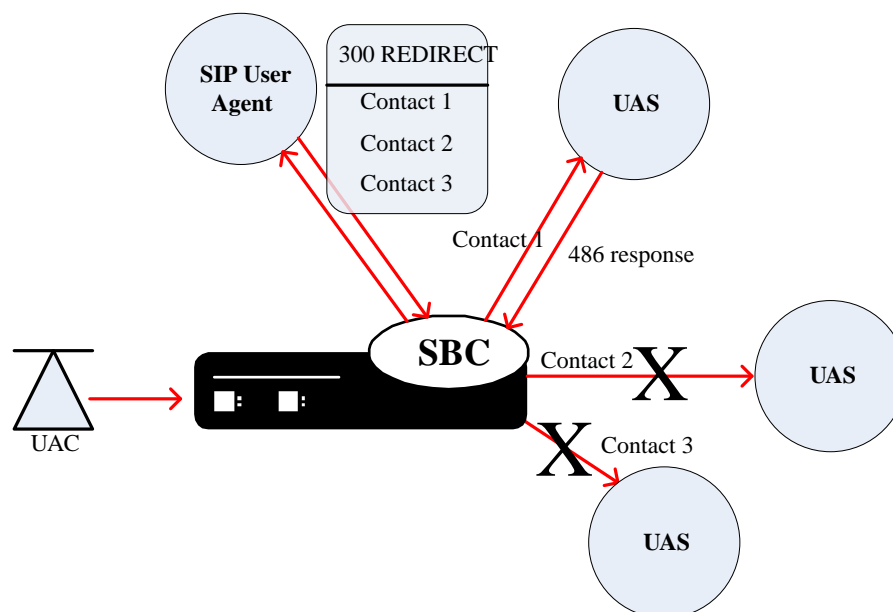
the original request, the Oracle® Enterprise Session Border Controller will forward the request to the next target and wait for a response. While the process of forwarding the request to multiple targets as explained in the previous paragraph is called serial forking, and the process of forwarding the request to contacts received in redirect responses is called recursion, the term recursion is used for both processes in this notice.

Use the SIP Route Recursion feature when you want the Oracle® Enterprise Session Border Controller to forward a response to the UAC and stop recursing through the target list immediately after receiving the 3xx, 4xx, or 5xx response code that you configure. When this feature is disabled, the Oracle® Enterprise Session Border Controller only stops recursing when it receives a message with a 401 or 407 response code. Using this feature, you can configure a specific message or range of messages to stop recursing on when received. The Oracle® Enterprise Session Border Controller retains its default behavior to stop recursing on a 401 or 407 response code when SIP Route Recursion is configured on a SIP interface. The Oracle® Enterprise Session Border Controller will always stop recursing when it receives a global failure (6xx); this behavior is not configurable.

You can disable response recursion for either a SIP interface or for a SIP session agent, providing you with flexibility for various network architectures. For instance, a PSTN gateway might be the only hop to reach a given endpoint, whereas several session agents might need to be contacted if multiple devices map to a contacted address of record.

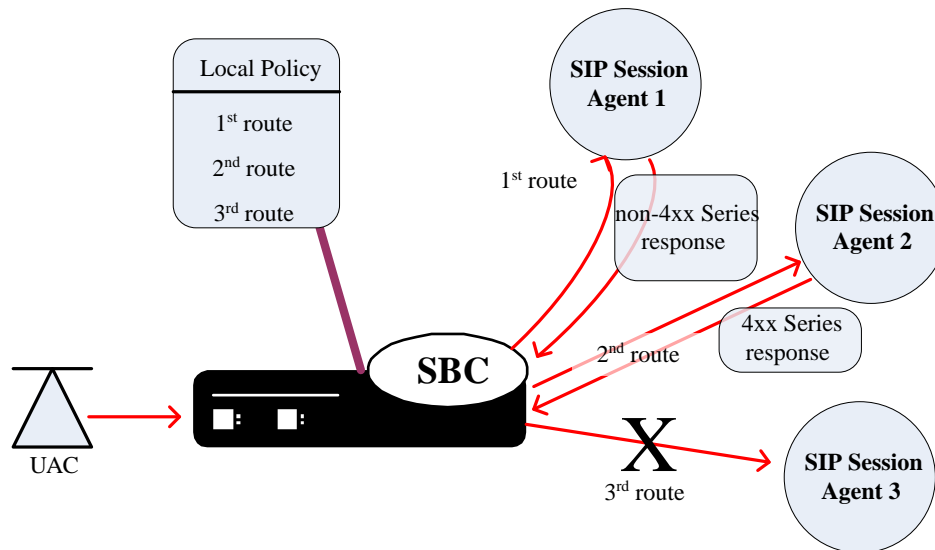
## Example 1

A more detailed example is when a softswitch might return a list of contacts for multiple PSTN gateways in a Redirect message. If the PSTN target number contacted on redirection is busy, a 486 response will be sent to the Oracle® Enterprise Session Border Controller. Since the single target is located in the PSTN, a subsequent request through a different gateway will yield another 486 response. The Oracle® Enterprise Session Border Controller should be configured to return the 486 response to the UAC immediately. No other SIP requests should be sent to applicable targets/ contacts that were enumerated in the redirect list. See the following example:



## Example 2

The Oracle® Enterprise Session Border Controller might determine from a local policy lookup that several routes are applicable for forwarding a SIP message. The Oracle® Enterprise Session Border Controller will try each route in turn, but the SIP response recursion disable feature can be implemented to stop the route recursion when a configured responses message is received by the Oracle® Enterprise Session Border Controller. See the following example:



There are a few conditions on the parameter used to configure response recursion:

- SIP Route Recursion is configurable for either the SIP interface or session agent.
- 401 and 407 are preconfigured for all configured SIP interfaces. They are not configured for session agents.
- The format is a comma-separated list of response codes or response code ranges: 404, 484-486.
- Only response codes that fall within the 3xx, 4xx, and 5xx range may be specified.

## SIP Route Recursion Configuration

You enable SIP route recursion either in the session agent or the SIP interface configuration.

### Configuring a Session Agent for SIP Route Recursion

To configure SIP Route recursion for an existing session agent:

1. In Superuser mode, type **configure terminal** and press Enter.

```
ORACLE# configure terminal
```

2. Type **session-router** and press Enter to access the session-router path.

```
ORACLE(configure)# session-router
```

3. Type **session-agent** and press Enter. The system prompt changes to let you know that you can begin configuring individual parameters.

```
ORACLE(session-router)# session-agent  
ORACLE(session-agent)#
```

4. Select the session agent where you want this feature.

```
ORACLE(session-agent)# select  
<hostname>:  
1: asd          realm=      ip=1.0.0.0  
2: SIPSA       realm=      ip=10.10.102.1  
selection:2  
ORACLE(session-agent)#
```

5. **stop-recurse**—Enter list of returned response codes that this session agent will watch for in order to stop recursion on the target's or contact's messages. This can be a comma-separated list or response code ranges.

```
ORACLE(session-agent)# stop-recurse 404,484-486
```

6. Save and activate your changes.

## Configuring a SIP Interface for SIP Route Recursion

To configure SIP route recursion for an existing SIP interface:

1. In Superuser mode, type **configure terminal** and press Enter.

```
ORACLE# configure terminal
```

2. Type **session-router** and press Enter to access the **session-router** path.

```
ORACLE(configure)# session-router
```

3. Type **sip-interface** and press Enter. The system prompt changes to let you know that you can begin configuring individual parameters.

```
ORACLE(session-router)# sip-interface  
ORACLE(sip-interface)#
```

4. Select the SIP interface to which you want to apply this feature.

```
ORACLE(sip-interface)# select  
<realm-id>:  
1: Acme_Realm  
selection:1  
ORACLE(sip-interface)#
```

5. **stop-recurse**—Enter a list of returned response codes that this SIP interface will watch for in order to stop recursion on the target's or contact's messages. This list can be a comma-separated list of response codes or response code ranges.

```
ORACLE(sip-interface)# stop-recurse 404,484-486
```

6. Save and activate your changes.

## SIP Event Package Interoperability

Service providers often deploy a Oracle® Enterprise Session Border Controller on the border of an access network, where it sits between the SIP endpoints (user agents) and the service provider's application server. The application server and the user agents sometimes use various SIP event packages to exchange and maintain state information. The SUBSCRIBE and NOTIFY methods are used to establish subscriptions to the event packages and to report state changes to the subscribing entity.

The SIP global contact option addresses interoperability in the Dialog and Presence event packages that are used in hosted PBX and IP Centrex offerings. State information is passed in the message body of a NOTIFY request; this message body is encoded in an XML format described by the Content-Type header. The Oracle® Enterprise Session Border Controller needs to update certain fields in the body to account for dialog mapping and SIP NAT functionality between the access and service provider realms. Often the subscriptions are established using URIs learned from Contact headers in the user agent registrations or dialog establishment (INVITE/SUBSCRIBE). For this, a Oracle® Enterprise Session Border Controller requires a Contact URI that is usable and routable outside of an existing dialog.

The SIP global contact option enables persistent URIs in the Contact headers inserted into outgoing SIP messages. If this option is not used, URIs placed in the Contact header of outgoing messages are only valid within the context of the dialog to which the message is associated.

RFCs associated with this feature are:

- A. B. Roach, *Session Initiation Protocol (SIP)-Specific Event Notification*, RFC 3265, June 2002
- J. Rosenberg, *A Presence Event Package for the Session Initiation Protocol (SIP)*, RFC 3856, August 2004
- J. Rosenberg, et al. *Data Format for Presence Using XML*, <http://www.iptel.org/info/players/ietf/presence/outdated/draft-rosenberg-impp-pidf-00.txt>, Work In Progress (expired), June 2000
- J. Rosenberg, H. Schulzrinne, R. Mahy, *An INVITE Initiated Dialog Event Package for the Session Initiation Protocol (SIP)*, draft-ietf-sipping-dialog-package-06.txt, Work In Progress, April 2005
- H. Sugano, et al., *Presence Information Data Format (PIDF)*, RFC 3863, August 2004

## SIP Event Package Interoperability Configuration

This feature is applicable to the global SIP configuration.

To configure SIP event package interoperability:

1. In Superuser mode, type **configure terminal** and press Enter.

```
ORACLE# configure terminal
```

2. Type **session-router** and press Enter.

```
ORACLE(configure)# session-router
```

3. Type **sip-config** and press Enter. The system prompt changes to let you know that you can begin configuring individual parameters.

```
ORACLE(session-router)# sip-config  
ORACLE(sip-config)#
```

4. **options**—Add SIP event package interoperability support to a new SIP configuration or to an existing SIP configuration:

If you do not currently have an SIP configuration, you can add the option by typing **options**, a Space and then **global-contact**.

```
ORACLE(sip-config)# options global-contact
```

Select the SIP configuration so that you can add SIP event package interoperability support to it. Then, to add this option to a list of options that you have already configured, type **options** followed by a Space, the plus sign (+), and the **global-contact** option.

```
ORACLE(sip-config)# select  
ORACLE(sip-config)# options +global-contact
```

If you type **options global-contact** without the plus (+) sign, you will remove any previously configured options. In order to append the new option to the options list, you must prepend the new option with a plus sign as shown in the example above.

5. Save and activate your changes.

## SIP Proxy Subscriptions

When the Oracle® Enterprise Session Border Controller operates in dialog mode (i.e., as a B2BUA), it creates and maintains dialog state for subscription dialogs created with SUBSCRIBE/NOTIFY messages and for INVITE-initiated dialogs. Since there can be a very large number of subscriptions per user in a Rich Communication Services (RCS) environment (especially for presence subscriptions), Oracle® Enterprise Session Border Controller resources can quickly become depleted.

To alleviate this consumption of resources, you can configure your **Oracle® Enterprise Session Border Controller** to operate in proxy mode for event packages that you define using the **proxy-sub-event** parameter in the global SIP configuration. When you define event packages in this list and the operation mode for the SIP configuration is dialog or session, the **Oracle® Enterprise Session Border Controller** processes all SUBSCRIBE and NOTIFY requests and responses for the designated event packages in transaction stateful mode.

## Topology Hiding

So that it can perform topology hiding, the Oracle® Enterprise Session Border Controller retains necessary routing information (such as the Contact or Record-Route header values) and it encodes certain data from the messages it receives in the messages it sends. To be more specific, the Oracle® Enterprise Session Border Controller encodes the original URI hostport and the ingress realm name into a `gr` parameter it adds to the URI. The hostport information is replaced with the IP address and port of the SIP interface from which the message is sent (the egress interface). Without this information, subsequent in-dialog messages cannot be routed correctly because the Oracle® Enterprise Session Border Controller does not retain dialog state (i.e., the route-set or remote-target).

For example, the URI `sip:td@192.168.24.121:5060` might be encoded as `sip:td@192.168.24.121:5060; gr=vjml9qtd175bhmhvhkgp0jov81popvbp000040`.

The Oracle® Enterprise Session Border Controller also performs URI encoding on the message body for Content-Type `application/pdf+xml`. This contains a Presence Information Data Format document (or PIDF) in PUBLISH and NOTIFY requests so subsequent SIP requests using the URIs in the PIDF document can be routed correctly.

The Oracle® Enterprise Session Border Controller performs URI encoding in outgoing SIP messages after SIP=NAT is applied and before outbound HMR occurs. And the system decodes URIs in SIP messages after inbound HMR takes place and before SIP-NAT is applied.

In the event a URI is encoded several times (as is the case in spiral and hairpin calls), the encoded realm+hostport values are separated by a plus sign (+), as in the following:

```
sip:td@192.168.24.121:5060; gr=vjml9qtd175bhmhvhkgp+dhfhb0jov81opvbp
```

When the Oracle® Enterprise Session Border Controller receives any of the following requests, it matches the contents of the request's Event header with the list you configure in the `proxy-sub-events` parameter:

- PUBLISH
- SUBSCRIBE
- NOTIFY
- REFER

This is provided the operation-mode for the SIP configuration is set to either **session** or **dialog**. If it finds a match, the Oracle® Enterprise Session Border Controller marks the request for processing in transaction-stateful mode rather than in B2BUA mode.

 **Note:**

Although PUBLISH is not a dialog-creating request, topology hiding needs to be applied to the PIDF so that subsequent NOTIFY requests containing portions of the published PIDF can be decoded properly.



When the Oracle® Enterprise Session Border Controller forwards the request, it will have encoded all Contact and Record-Route header information using the ingress realm. The hostport value of the URIs then has egress SIP interface's IP address and port. The Via headers in the requested the Oracle® Enterprise Session Border Controller received are not included in the outgoing request.

Then PUBLISH, SUBSCRIBE, NOTIFY, and REFER responses are compared to the request that was sent to determine if the response should receive transaction-stateful proxy treatment. The Oracle® Enterprise Session Border Controller decodes any encoded Record-Route headers back to their original values for the outgoing response. Any Record-Route headers added downstream from the Oracle® Enterprise Session Border Controller are encoded using the original request's egress realm (meaning the realm from which the response was received). In addition, the Contact header is encoded using the request's egress realm and ingress SIP interface and port.

## Feature Interaction

When using this feature, the Oracle® Enterprise Session Border Controller does not keep dialog or subscription state. Therefore the Per-user SUBSCRIBE Dialog Limit feature—configured in the **enforcement-profile** configuration—will not function properly when a subscription is handled in proxy mode.

## SIP Proxy Subscription Configuration

This section shows you how to configure a list of SIP event packages to cause the Oracle® Enterprise Session Border Controller to act in proxy mode.

### Note:

The operation-mode parameter for the global SIP configuration must be set to either dialog or session in order for this feature to function as designed.

To configure a list of SIP event packages to enable SIP proxy subscriptions:

1. In Superuser mode, type `configure terminal` and press Enter.

```
ORACLE# configure terminal
```

2. Type `session-router` and press Enter.

```
ORACLE(configure)# session-router  
ORACLE(session-router)#
```

3. Type `sip-config` and press Enter.

```
ORACLE(session-router)# sip-config  
ORACLE(sip-config)#
```

If you are adding support for this feature to a pre-existing configuration, then you must select (using the ACLI **select** command) the configuration that you want to edit.

4. **proxy-sub-events**—Enter a list of SIP event package names that you want to enable the SIP proxy subscriptions feature. You can enter more than one value by enclosing multiple values in quotations marks, as in the following example.

```
ORACLE(sip-config)# proxy-sub-events presence winfo
```

## SIP REGISTER Forwarding After Call-ID Change

This feature addresses the case when an endpoint reboots and performs a third party registration before its old registration expires. During this reregistration, the contact header is the same as it was pre-reregistration. As a consequence of the reboot, the SIP Call-ID changes. In this situation, the Oracle® Enterprise Session Border Controller does not forward the REGISTER to the registrar, because it believes the endpoint is already registered, based on a previous registration from the same Contact: header URI.

To remedy this problem, the Oracle® Enterprise Session Border Controller now keeps track of the Call-ID in its registration cache. The **forward-reg-callid-change** option in the global SIP configuration element forces the Oracle® Enterprise Session Border Controller to forward a REGISTER message to the registrar when the Call-ID header changes in a REGISTER message received from a reregistering UAC.

## SIP REGISTER Forwarding Configuration

To configure SIP REGISTER forwarding after a Call-ID change:

1. In Superuser mode, type **configure terminal** and press Enter.

```
ORACLE# configure terminal
```

2. Type **session-router** and press Enter.

```
ORACLE(configure)# session-router  
ORACLE(session-router)#
```

3. Type **sip-config** and press Enter. The system prompt changes to let you know that you can begin configuring individual parameters.

```
ORACLE(session-router)# sip-config  
ORACLE(sip-config)#
```

4. **options**—Add this feature to a new or an existing SIP configuration:

If you do not currently have a SIP configuration, you can add the option by typing **options**, a Space, and then **forward-reg-callid-change**.

```
ORACLE(sip-config)# options forward-reg-callid-change
```

For an existing SIP configuration, select the SIP configuration so that you can add this feature to it. Then, to add this option to a list of options that you have

already configured, type options, a Space, the plus sign (+), and the forward-reg-callid-change option.

```
ORACLE(sip-config)# options +forward-reg-callid-change
```

If you type options forward-reg-callid-change without the plus (+) sign, you will remove any previously configured options. In order to append the new option to the options list, you must prepend the new option with a plus sign as shown in the example above.

5. Save and activate your changes.

## SIP Local Response Code Mapping

The SIP local response code mapping feature enhances the SIP response code mapping. The SIP response code map feature lets you establish a table that maps SIP response-received messages (entries) to response-to-send messages (entries).

SIP local response code mapping is used with the SIP responses generated by the Oracle® Enterprise Session Border Controller towards a specific SIP session agent. This feature lets you provision the mapping of the response codes used by the Oracle® Enterprise Session Border Controller when it generates the responses towards a session agent.

You create the SIP local response code map using the existing mapping functionality, and then assigning that map to a session agent or to a SIP interface.

### Note:

The configured response map is not used when the Oracle® Enterprise Session Border Controller is acting as proxy for the responses to this session agent.

The parameters **method** and **register-response-expires** enable a SIP registration response mapping feature that allows you to configure the Oracle® Enterprise Session Border Controller to remap a SIP failure response—which it receives from another network device or that it generates locally—to a 200 OK. You might want the Oracle® Enterprise Session Border Controller to perform this type of mapping for circumstances where non-malicious endpoints continually attempt registration, but will stop (and still not be registered) when they receive a 200 OK. This response mapping does not actually register the client with the Oracle® Enterprise Session Border Controller, meaning that there is neither a registration cache entry or a CAM ACL for it.

For the 200 OK it generates, the Oracle® Enterprise Session Border Controller removes any Reason or Retry-After header in the 200 OK and sets the expires time. By default, the expires time is the Retry-After time (if there is one in the response) or the expires value in the Register request (if there is no Retry-After expires time). You can also set this value using the **register-response-expires** parameter, but the value you set should never exceed the Register request's expires time.

## SIP Local Response Code Mapping Configuration

The following instructions explain how to create the SIP response code map and then how to assign it to a specific session agent.

### Creating a SIP Response Code Map

To create a SIP local response code map:

1. Access the **sip-response-map** configuration element.

```
ORACLE# configure terminal
ORACLE(configure)# session-router
ORACLE(session-router)# sip-response-map
ORACLE(sip-response-map)#
```

2. **name**—Enter the name of the SIP response map you want to configure.

This value is required and must be unique.

```
ORACLE(response-map)# name busy
```

3. **entries**—Configure the entries for this mapping.

Typing a question mark will show you the response code entry parameters that you can configure.

```
ORACLE(response-map)# entries
ORACLE(response-map-entries)#
```

- a. **recv-code**—Enter original SIP response code for the recv-mode parameter.

The valid range is:

- Minimum—100
- Maximum—699

```
ORACLE(response-map-entries)# recv-mode 486
```

- b. **xmit-code**—Enter the SIP response code into which you want the original response code to be translated.

This valid range is:

- Minimum—100
- Maximum—699

```
ORACLE(response-map-entries)# xmit-mode 600
```

- c. **reason**—Enter a reason for the translated code into the reason parameter.

This response comment is sent with the translated code. Make your entry in quotation marks.

```
ORACLE(response-map-entries)# reason "Busy Everywhere"
```

- d. **method**—Enter the name of the received SIP failure response message you want to map to a 200 OK.

 **Note:**

There is no default for this parameter, and leaving the parameter empty turns off the SIP registration response mapping feature.

- e. **register-response-expires**—Enter the time you want to use for the expires time what mapping the SIP method you identified in the **method** parameter. The maximum is 999999999. By default, the expires time is the Retry-After time (if there is one in the response) or the expires value in the Register request (if there is no Retry-After expires time). Any value you configure in this parameter (when not using the defaults) should never exceed the Register request's expires time.
4. Note the name that you gave the SIP response code map so that you can use it when you configure a session agent to support SIP response code mapping.
  5. Save and activate your changes.

## Assigning SIP Response Code Maps to Session Agents

To assign a SIP local response code map to a session agent:

1. In Superuser mode, type **configure terminal** and press Enter.

```
ORACLE# configure terminal
```

2. Type **session-router** and press Enter.

```
ORACLE(configure)# session-router
ORACLE(session-router)#
```

3. Type **session-agent** and press Enter. The system prompt changes to let you know that you can begin configuring individual parameters.

```
ORACLE(session-router)# session-agent
ORACLE(session-agent)#
```

4. **local-response-map**—Enter the name of the configured SIP response map that you want to use for this session-agent and press Enter.

```
ORACLE(session-agent)# local-response-map busy
```

5. Save and activate your configuration.

## Assigning SIP Response Code Maps to SIP Interfaces

To apply SIP response codes maps to a SIP interface:

1. In Superuser mode, type **configure terminal** and press Enter.

```
ORACLE# configure terminal
```

2. Type **session-router** and press Enter to access the signaling-level configuration elements.

```
ORACLE(configure)# session-router  
ORACLE(session-router)#
```

3. Type **sip-interface** and press Enter.

```
ORACLE(session-router)# sip-interface  
ORACLE(sip-interface)#
```

4. **local-response-map**—Enter the name of the configured SIP response map that you want to apply to this SIP interface for locally-generated SIP responses. This parameter is blank by default.

5. Save and activate your configuration.

## Session Agent Ping Message Formatting

You can configure the user portions of the Request-URI and To: headers that define the destination of a session agent ping message, and the From: header that defines the source of a session agent ping message. These headers are sent to Oracle® Enterprise Session Border Controller session agent. This feature is required for interoperability with certain E911 servers.

In the following example of a session agent ping-type message, you can set the user portion of the Request-URI (the text bob in the OPTIONS method line) and the user portion of the From: header (the text bob in the From: header) to the same new value. You can also set the user portion of the To: header (the text anna in the To: header) to its own new value.

```
OPTIONS sip:bob@sip.com SIP/2.0  
From: UA1 <sip:bob@sip.com>  
To: NUT <sip:anna@gw.sip.com>  
Call-ID: 123abc@desk.sip.com  
CSeq: 1 OPTIONS  
Contact: <sip:UA1@client.sip.com>  
Accept: application/sdp  
Content-Length: 0
```

If you do not enable this feature, then the session agent ping-type message contains the text ping in all cases.

## Session Agent Ping Message Formatting Configuration

1. Access the **session-agent** configuration element.

```
ORACLE# configure terminal
ORACLE(configure)# session-router
ORACLE(session-router)# session-agent
ORACLE(session-agent)
```

2. Select the **session-agent** object to edit.

```
ORACLE(session-agent)# select
<hostname>:
1: 192.168.100.101:1813

selection: 1
ORACLE(session-agent)#
```

3. **ping-from-user-part**—Set the user portion of the From: header that defines the source of a session agent ping message.

```
ORACLE(session-agent)# ping-from-user-part bob
```

4. **ping-to-user-part**—Set the user portions of the Request-URI and To: headers that define the destination of a session agent ping message.

```
ORACLE(session-agent)# ping-to-user-part anna
```

5. Type **done** to save your configuration.

## SIP PAI Stripping

The Oracle® Enterprise Session Border Controller now has the ability to strip P-Asserted-Identity (PAI) headers so that service providers can ensure an extra measure of security against malicious users pretending to be legitimate users. To pretend to represent another account, the malicious users simply send an INVITE with an imitation PAI. This feature allows real-time detection of such fraudulent use.

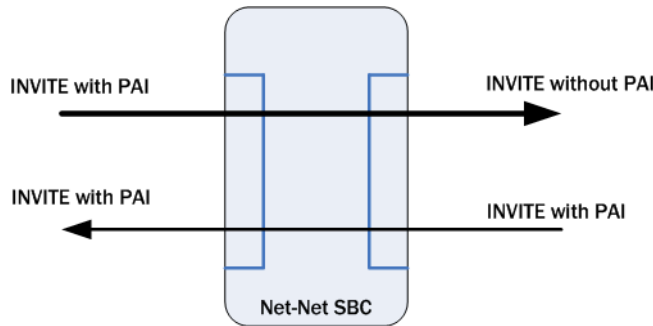
This feature uses a combination of:

- DoS protection applied on a per-realm basis
- SIP PAI header stripping

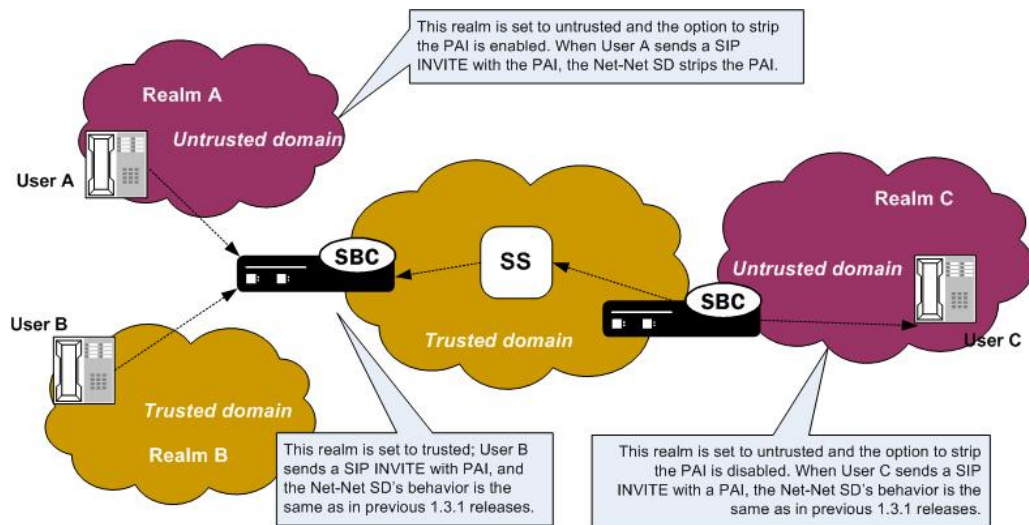
The combination of these settings can produce different results for the SIP PAI stripping feature.

- SIP PAI header stripping enabled for an untrusted realm—If the PAI stripping parameter is set to enabled in a realm that is untrusted, then the Oracle® Enterprise Session Border Controller strips the PAI headers from SIP INVITES that are received from the external address, regardless of the privacy type. The Oracle® Enterprise Session Border Controller then sends the modified INVITE (without the PAI). If the INVITE comes from a trusted realm, then the Oracle®

Enterprise Session Border Controller does not strip the PAI header and the system behaves as it does when you are using previous 1.3.1 releases.



- Multiple SIP PAIs in a SIP INVITE—The Oracle® Enterprise Session Border Controller removes all PAIs when there are multiple PAIs set in SIP INVITES that come from untrusted realms.
- Oracle® Enterprise Session Border Controller behavior bridging trusted and untrusted realms—The following graphics shows you how Oracle® Enterprise Session Border Controllers can be positioned and configured to handle PAI stripping between trusted and untrusted realms.



Realm Configuration Settings	REALM A	REALM B	REALM C
Realm designation trusted or untrusted (trust-me)	Disabled	Enabled	Enabled
SIP PAI stripping (pai-strip)	Enabled	Enabled or disabled	Disabled

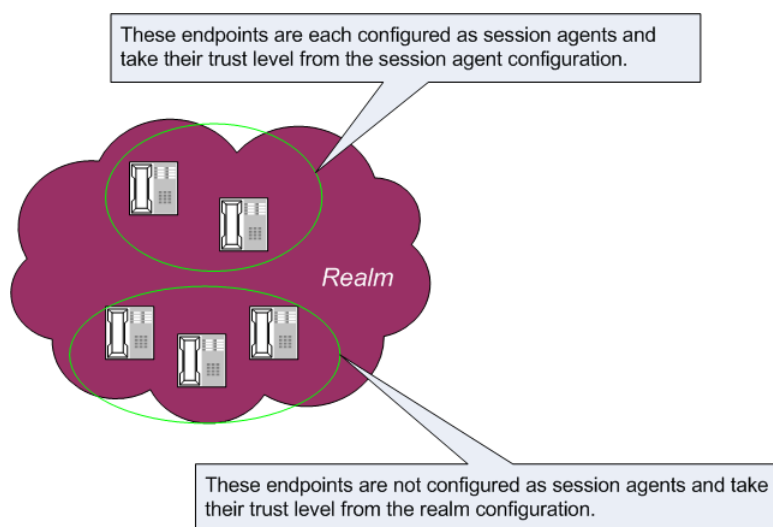


Realm Configuration Settings	REALM A	REALM B	REALM C
SBC's behavior	Strip PAI regardless of privacy type	Same as behavior for SIP privacy support in previous 1.3.1 releases	Same as behavior for SIP privacy support in previous 1.3.1 releases

## SIP PAI Stripping Configuration

When you configure this feature, please note how the Oracle® Enterprise Session Border Controller behaves when you combine the designation of a realm as trusted/untrusted and SIP PAI stripping is enabled. Enter the choices for the ACLI **trust-me** and **pai-strip** parameters accordingly.

Be aware that trust is also established in the session agent configuration, and that the trust level set in a session agent configuration overrides the trust set in a realm configuration. For example, a realm might have several endpoints, some of which are associated with session agents and some of which are not. The endpoints that have configured session agent will take their trust level from the session agent parameters you set; the other endpoints, ones that are not associated with session agents, take their trust level from the realm parameters you set.



Take this relationship into consideration when you configure SIP PAI header stripping, or this feature will not work as designed.

For the sample configuration cited below, the desired Oracle® Enterprise Session Border Controller behavior is to always strip the PAI regardless of privacy type.

To configure SIP PAI stripping for an existing realm using the ACLI:

1. In Superuser mode, type **configure terminal** and press Enter.

```
ORACLE# configure terminal
```

2. Type **media-manager** and press Enter to access the media-manager path.

```
ORACLE(configure)# media-manager
```

3. Type **realm-config** and press Enter. The system prompt changes to let you know that you can begin configuring individual parameters.

```
ORACLE(media-manager)# realm-config  
ORACLE(realm-config)#
```

4. Select the realm to which you want to apply this feature.

```
ORACLE(realm-config)# select  
identifier:  
1: acmePacket <none>          192.168.20.0/24  
2: realm1 <none>             0.0.0.0  
selection:2  
ORACLE(realm-config)#
```

5. **pai-strip**—Enable PAI stripping. The default is **disabled**. Valid values are:

- enabled | disabled

```
ORACLE(realm-config)# pai-strip enabled
```

6. Save your work using the ACLI **save** or **done** command.

## SIP Statuses to Q.850 Reasons

This section explains the Oracle® Enterprise Session Border Controller's ability to map Q.850 cause values with SIP responses, a feature used in SIP calls and calls that require IWF.

RFC 3326 defines a header that might be included in any in-dialogue request. This reason header includes cause values that are defined as either a SIP response code or ITU-T Q.850 cause values. You can configure the Oracle® Enterprise Session Border Controller to support sending and receiving RFC 3326 in SIP messages for:

- Mapping H.323 Q.850 cause values to SIP responses with reason header and cause value
- Mapping SIP response messages and RFC 3326 reason header and cause
- Locally generated SIP response with RFC 3326 reason header and cause

As specified in RFC 3326, the Oracle® Enterprise Session Border Controller sends SIP responses to the softswitch that contain the received Q.850 cause code and the reason.

Though the Oracle® Enterprise Session Border Controller can generate RFC 3326 headers, the default behavior for this feature is disabled. Furthermore, the Oracle® Enterprise Session Border Controller can receive and pass SIP error messages (4xx, 5xx, and 6xx) that contain the SIP reason header with a Q.850 cause code and reason (as specified in RFC 3326). If the system receives an error message without the Reason header, then the Oracle® Enterprise Session Border Controller is not required to insert one.

In calls that require IWF, the Q.850 cause generated in the SIP response are the same as the cause received in the following H.225 messages: Disconnect, Progress, Release, Release Complete, Resume Reject, Status, and Suspend Reject. In addition, the Q.850 cause codes that the Oracle® Enterprise Session Border Controller receives in RFC 3326 headers are passed to the H.323 part of the call unmodified; the H.323 call leg uses this cause code for releasing the call.

## SIP-SIP Calls

The SIP Reason header might appear in any request within a dialog, in a CANCEL request, and in any response where the status code explicitly allows the presence of this header field. The syntax of the header follows the standard SIP parameter:

```
Reason: SIP;cause=200;text="completed elsewhere"  
Reason: Q.850;cause=16;text="Terminated"
```

This feature attends to the following possible SIP call scenarios:

- When the Oracle® Enterprise Session Border Controller receives a SIP request or SIP response that contains the Reason header, the Oracle® Enterprise Session Border Controller passes it without modification.
- When it generates a SIP response, the Oracle® Enterprise Session Border Controller includes the RFC 3326 Reason header containing a Q.850 cause code and reason. This is the case for all local conditions and for all internally generated error responses (4xx, 5xx, and 6xx) to an initial SIP INVITE. Possible local error scenarios are:
  - invalid-message
  - cpu-overloaded
  - media-released
  - media-not-allocated

## Configure Reason and Cause Mapping for SIP-SIP Calls

To configure reason-cause mapping for SIP-SIP calls, you must set up the ACLI local-response-map configuration with appropriate entries to generate the SIP response and the Q.850 cause code value used for particular error scenarios. If you want to add a Reason header, you must enable that capability in the global SIP configuration.

In the following procedure use the method parameter and the register-response-expires parameter to enable a SIP registration response mapping feature that allows you to configure the system to remap a SIP failure response to a 200 OK. The failure response can come from another network device or the system can generate the response locally. You might want the system to perform such mapping when a non-malicious endpoint continually attempts registration, but stops when the system sends a 200 OK. The failure response mapping does not register the client with the system, which leaves neither a registration cache entry nor a CAM ACL for the entry.

For the 200 OK it generates, the system removes any Reason or Retry-After header in the 200 OK and sets the expires time. By default, the expires time is the Retry-After time (if there is one in the response) or the expires value in the Register request (if there is no Retry-After expires time). You can also set this value using the register-

response-expires parameter, but the value you set should never exceed the Register request's expires time.

1. Access the **entries** configuration element.

```
ORACLE# configure terminal
ORACLE(configure)# session-router
ORACLE(session-router)# local-response-map
ORACLE(local-response-map)# local-response-map-entries
ORACLE(local-response-map-entries)#
```

2. (Optional) Type **?** to see the entire menu for the local response map entries configuration.
3. **local-error**—Set the local error that triggers the use of this local response map. No default.

 **Note:**

The Enterprise and Service Provider systems both display the full list, but some items do not apply to both systems. Such items are noted.

4. Type **local-error ?** to see the entire list of local errors that you can configure.
5. **sip-status**—Set the SIP response code to use. No default value. Range: 100-699.
6. **sip-reason**—Set the SIP reason string you want to use for this mapping. No default value. If the value contains spaces between the characters, you must surround the entry with quotation marks.
7. **q850-cause**—Set the Q.850 cause. No default value.
8. **q850-reason**—Set the Q.850 reason string that you want to use for this mapping. No default value. If your value has spaces between characters, then your entry must be surrounded by quotation marks.
9. **method**—Enter the name of the received SIP failure response message you want to map to a 200 OK.  
  
No default. Leave the parameter empty to turn off the SIP registration response mapping feature.
10. **register-response-expires**—Enter the time you want to use for the expires time you identified in the method parameter.  
  
The maximum is 999999999. By default, the expires time is the Retry-After time (if there is one in the response) or the expires value in the Register request (if there is no Retry-After expires time). Any value you configure in this parameter (when not using the defaults) should never exceed the Register request's expires time.
11. (Optional) Repeat this process to create the number of local response map entries that you need.
12. Save and activate the configuration for changes to take effect.

## Adding the Reason Header

To enable the Oracle® Enterprise Session Border Controller to add the Reason header:

1. In Superuser mode, type `configure terminal` and press Enter.

```
ORACLE# configure terminal
```

2. Type `session-router` and press Enter.

```
ORACLE(configure)# session-router
```

3. Type `sip-config` and press Enter.

```
ORACLE(session-router)# sip-config  
ORACLE(sip-config)#
```

4. `add-reason-header`—Enable this parameter to add the Reason header.

The default value is disabled. The valid values are:

- `enabled | disabled`

5. Save and activate your configuration for changes to take effect.

## Calls Requiring IWF

For interworking calls between SIP and H.323, you can configure:

- Mappings for SIP status codes to Q.850 values
- Mappings for particular Q.850 cause codes to SIP status codes

If it cannot find the appropriate mapping, then the Oracle® Enterprise Session Border Controller uses default mappings defined in the Default Mappings table below.

The following describes how the Oracle® Enterprise Session Border Controller handles different IWF call scenarios:

- SIP request containing a Reason header—When it receives a request containing a Reason header, the Oracle® Enterprise Session Border Controller determines if the request is a SIP BYE or SIP CANCEL message. RFC 3326 states that the Reason header is mainly used for these types of requests. If there is a Reason header and it contains the Q.850 cause value, then the Oracle® Enterprise Session Border Controller releases the call on the H.323 side using the specified cause value.
- SIP response—When it receives the error response to an initial SIP INVITE, the Oracle® Enterprise Session Border Controller uses its SIP-Q.850 map to determine the Q.850 that it will use to release the call. If there is not a map entry, then the Oracle® Enterprise Session Border Controller uses the default mappings shown in the Default Mappings table.
- Active call released from the H.323 side—If an active call is released from the H.323 side, the Oracle® Enterprise Session Border Controller checks the outgoing realm (the SIP side) to see if the addition of the Reason header is enabled. If it is, then the Oracle® Enterprise Session Border Controller adds the Reason header in the SIP BYE request with the Q.850 value it received from the H.323 side.
- Error during setup of the call on the H.323 side—In the event of an error during setup on the H.323 side of the call, the system needs to send:
  - An error response, if this is a SIP to H.323 call

- A SIP CANCEL, if this is a H.323 to SIP call and the H.323 side hangs up before the call is answered on the SIP side  
In this case, the Oracle® Enterprise Session Border Controller checks to see if adding the Reason header is enabled in the IWF configuration. If it is, then the Oracle® Enterprise Session Border Controller adds the Reason header with the Q.850 cause value it received from the H.323 side.
- Call released due to a Oracle® Enterprise Session Border Controller error—If the call is released due a Oracle® Enterprise Session Border Controller error and adding the Reason header is enabled in the IWF configuration, the error response to the initial INVITE contains the Reason header. The Oracle® Enterprise Session Border Controller checks the SIP to Q.850 map configurations to determine whether or not the SIP error response code it is generating is configured. If it is, then the Oracle® Enterprise Session Border Controller maps according to the configuration. If it is not, the Oracle® Enterprise Session Border Controller derives cause mapping from the default table.

Like the configuration for SIP-only calls that enable this feature, you can set a parameter in the IWF configuration that enables adding the Reason header in the SIP requests or responses.

## Default Mappings

This table defines the default mappings the Oracle® Enterprise Session Border Controller uses when it cannot locate an appropriate entry that you have configured.

Q.850 Cause Value Number	Q.850 Cause Value Number	SIP Status Number	SIP Status Text	Comments
1	Unallocated number	404	Not found	N/A
2	No route to specified transit network	404	Not found	N/A
3	No route destination	404	Not found	N/A
16	Normal calling clearing	N/A	BYE message	A call clearing BYE message containing cause value 16 normally results in the sending of a SIP BYE or CANCEL request. However, if a SIP response is to be sent to the INVITE request, the default response code should be used.
17	User busy	486	Busy here	N/A
18	No user responding	408	Request timeout	N/A
19	No answer from the user	480	Temporarily unavailable	N/A
20	Subscriber absent	480	Temporarily unavailable	N/A

Q.850 Cause Value Number	Q.850 Cause Value Number	SIP Status Number	SIP Status Text	Comments
21	Call rejected	603	Decline (if location filed in Cause information element indicates user; otherwise 403 Forbidden is used)	N/A
22	Number changed	301	Moved permanently (if information in diagnostic field of Cause information element is suitable for generating SIP Contact header; otherwise 410 Gone is used)	N/A
23	Redirection to new destination	410	Gone	N/A
25	Exchange routing error	483	Too many hops	N/A
27	Destination out of order	502	Bad gateway	N/A
28	Address incomplete	484	Address incomplete	N/A
29	Facility rejected	501	Not implemented	N/A
31	Normal, unspecified	480	Temporarily unavailable	N/A
34	No circuit, channel unavailable	503	Service unavailable	N/A
38	Network out of order	503	Service unavailable	N/A
41	Temporary failure	503	Service unavailable	N/A
42	Switching equipment congestion	503	Service unavailable	N/A
47	Resource unavailable unspecified	503	Service unavailable	N/A
55	Incoming calls barred with CUG	403	Forbidden	N/A
57	Bearer capability not authorized	403	Forbidden	N/A
58	Bearer capability not presently available	503	Service unavailable	N/A
65	Bearer capability not implemented	488	Not acceptable here	N/A
69	Requested facility not implemented	501	Not implemented	N/A

Q.850 Cause Value Number	Q.850 Cause Value Number	SIP Status Number	SIP Status Text	Comments
70	Only restricted digital information available	488	Not acceptable here	N/A
79	Service or option not implemented, unspecified	501	Not implemented	N/A
87	User not member of CUG	403	Forbidden	N/A
88	Incompatible destination	503	Service unavailable	N/A
102	Recovery on timer expiry	504	Server time-out	N/A

## SIP Status

To configure a SIP status to Q.850 Reason with cause mapping:

1. In Superuser mode, type **configure terminal** and press Enter.

```
ORACLE# configure terminal
```

2. Type **session-router** and press Enter.

```
ORACLE(configure)# session-router
```

3. Type **sip-q850-map** and press Enter.

```
ORACLE(session-router)# sip-q850-map
ORACLE(sip-q850-map)#
```

4. Type **entries** and press Enter.

```
ORACLE(sip-q850-map)# entries
ORACLE(sip-q850-map-entry)#
```

From here, you can view the entire menu for the SIP status to Q.850 Reason with cause mapping entries configuration by typing a **?**.

5. **sip-status**—Set the SIP response code that you want to map to a particular Q.850 cause code and reason. There is no default, and the valid range is:
  - Minimum—100
  - Maximum—699
6. **q850-cause**—Set the Q.850 cause code that you want to map to the SIP response code that you set in step 5. There is no default.
7. **q850-reason**—Set the Q.850 reason corresponding to the Q.850 cause code that you set in step 6. There is no default. If your value has spaces between characters, then your entry must be surrounded by quotation marks.



8. Repeat this process to create the number of local response map entries that you need.

9. Save and activate your configuration for changes to take effect.

To configure a Q.850 cause to a SIP status with reason mapping:

10. In Superuser mode, type **configure terminal** and press Enter.

```
ORACLE# configure terminal
```

11. Type **session-router** and press Enter.

```
ORACLE(configure)# session-router
```

12. Type **sip-q850-map** and press Enter.

```
ORACLE(session-router)# q850-sip-map
ORACLE(q850-sip-map)#
```

13. Type **entries** and press Enter.

```
ORACLE(q850-sip-map)# entries
ORACLE(q850-sip-map-entry)#
```

From here, you can view the entire menu for the Q.850 cause to a SIP response code with reason mapping entries configuration by typing a **?**.

14. **q850-cause**—Set the Q.850 cause code that you want to map to a SIP status with reason. There is no default.

15. **sip-status**—Set the SIP response code to which you want to map the Q.850 cause that you set in step 5. There is no default, and the valid range is:

- Minimum—100
- Maximum—699

16. **sip-reason**—Set the reason that you want to use with the SIP response code that you specified in step 6. There is no default. If your value has spaces between characters, then your entry must be surrounded by quotation marks.

17. Repeat this process to create the number of local response map entries that you need.

18. Save and activate your configuration for changes to take effect.

To enable the Oracle® Enterprise Session Border Controller to add the Reason header for calls that require IWF:

19. In Superuser mode, type **configure terminal** and press Enter.

```
ORACLE# configure terminal
```

20. Type **session-router** and press Enter.

```
ORACLE(configure)# session-router
```

21. Type **iwf-config** and press Enter.

```
ORACLE(session-router)# iwf-config
ACMEPACKET(iwf-config)#
```

22. **add-reason-header**—Enable this parameter to add the Reason header. The default is **disabled**. The valid values are:
  - enabled | disabled
23. Save and activate your configuration for changes to take effect.

## Trunk Group URIs

The Oracle® Enterprise Session Border Controller's trunk group URI feature, applicable for SIP and IWF signaling services, enables the capabilities related to trunk groups that are described in this section. This implementation follows the IPTTEL draft Representing Trunk Groups in Tel/SIP Uniform Resource Identifiers (URIs) (draft-ietf-ipitel-trunk-group-06.txt), and also supports more customized approaches.

- For a typical access call flow scenario, when the calling party's call arrives at the Oracle® Enterprise Session Border Controller, the Oracle® Enterprise Session Border Controller formulates a SIP INVITE message that it sends to a softswitch. The Oracle® Enterprise Session Border Controller now supports a new URI contact parameter in the SIP request message so that service providers need to be able to:
  - Determine from where the Oracle® Enterprise Session Border Controller received the call
  - Signal information about the originating gateway from a Oracle® Enterprise Session Border Controller to a softswitch (e.g., an incoming trunk group or a SIP gateway to a Oracle® Enterprise Session Border Controller)
- This feature supports the signaling of routing information to the Oracle® Enterprise Session Border Controller from network routing elements like softswitches. This information tells the Oracle® Enterprise Session Border Controller what egress route (or outgoing trunk groups) it should choose for terminating next hops/gateways. For this purpose, new SIP URI parameters in the Request-URI are defined. Additional URI parameters include the network context to identify the network in which the originating or terminating gateway resides.
- Especially important for large business applications, this feature can free Oracle® Enterprise Session Border Controller resources by reducing the number of local policy, session agent, and session agent group configurations. By enabling the trunk group URI feature, the Oracle® Enterprise Session Border Controller instead uses a routing scheme based on signaled SIP URI information.

## Terminology

The following IPTTEL terms are used in the descriptions of and instructions for how to configure this feature:

- **Trunk**—In a network, a communication path connecting two switching systems used in the establishment of an end-to-end connection; in selected applications, it may have both its terminations in the same switching system

- Trunk group—A set of trunks, traffic engineered as a unit, for the establishment of connections within or between switching systems in which all of the paths are interchangeable except where sub-grouped
- Trunk group name—Provides a unique identifier of the trunk group; referred to as tgrp
- Trunk group context—Imposes a namespace by specifying a domain where the trunk groups are; also referred to simply as context

## Trunk Group URI Parameters

Trunk group URI parameters identify originating and terminating trunk group information in SIP requests.

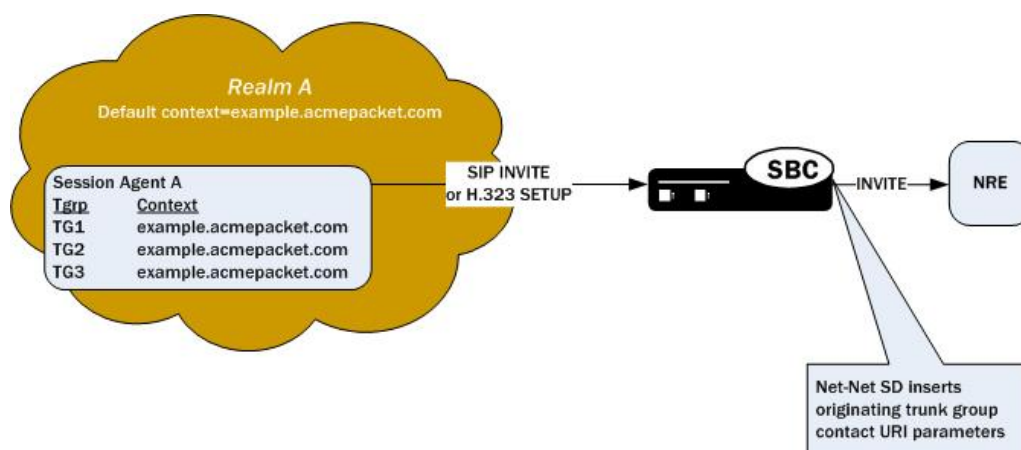
In the absence of official SIP standards for transporting trunk groups between signaling elements, the Oracle® Enterprise Session Border Controller allows you to define URI parameters for use with originating and terminating trunk group URIs.

## Originating Trunk Group URI Parameters and Formats

You can configure session agents and session agent groups on the Oracle® Enterprise Session Border Controller to insert trunk group URI parameters in the SIP contact header. When SIP gateways comply with the IPTEL draft, they include the originating URI parameter in the SIP contact header. For those SIP and H.323 gateways that are not compliant, the Oracle® Enterprise Session Border Controller inserts SIP trunk group URI parameters on the gateway's behalf.

When there are no applicable session agent or session agent group configurations, the Oracle® Enterprise Session Border Controller uses the source IP address of the endpoint or gateway as the trunk group name (tgrp) parameter in the originating trunk group URI.

The following diagram shows a scenario where the Oracle® Enterprise Session Border Controller inserts originating trunk group URI parameters.



There are two available formats for the originating trunk group URIs:

1. In compliance with the IPTEL draft, the first format has two parameters: tgrp (identifier of the specific trunk group) and trunk-context (defines the network domain of the trunk group). These appear in the following formats:

- tgrp="trunk group name"
- trunk-context="network domain"

The URI BNF for would appear as it does in the example directly below, where the tgrp is tg55 and the trunk-context is trunk-context is telco.example.com:

```
tel:+15555551212;tgrp=tg55;trunk-context=telco.example.com
```

2. The second format is customized specifically for access URIs and contains two provisioned parameters: tgrp (or tgroupName) and context (or provstring). This appears as tgrp.context, where these definitions apply:

- tgrp (tgroupName)—Provisioned trunk group name for the originating session agent; this value must have at least one alphabetical character, cannot contain a period (.), and can contain a hyphen (-) but not as the first or the last character
- context (provstring)—Name of the originating trunk group context; this value must have at least one alphabetical character in the top label

This format conforms to format for a hostname in the SIP URI as specified in RFC 3261, such that a trunk group identifier would appear as:

```
custsite2NY-00020.type2.voip.carrier.net
```

where the tgrp is custsite2NY-00020, and the context is type2.voip.carrier.net.

The BNF for an access URI conforms to the following:

**SIP-URI = "sip:" [userinfo ] hostport uri-parameters [headers ]**

**uri-parameters = \*( ";" uri-parameter )**

**uri-parameter = transport-param / user-param / method-param**

**/ ttl-param / maddr-param / lr-param / other-param**

other-param = accessid / pname [ '=' pvalue ]

accessid = "access=" accessURI

accessURI = scheme tgroupName [ "." provstring ]

scheme = "sip:" / token

tgroupName = ALPHA / \*(alphanumeric) ALPHA \*(alphanumeric / "-") alphanumeric /  
alphanumeric \*(alphanumeric / "-") ALPHA \*(alphanumeric) # up to 23

characters

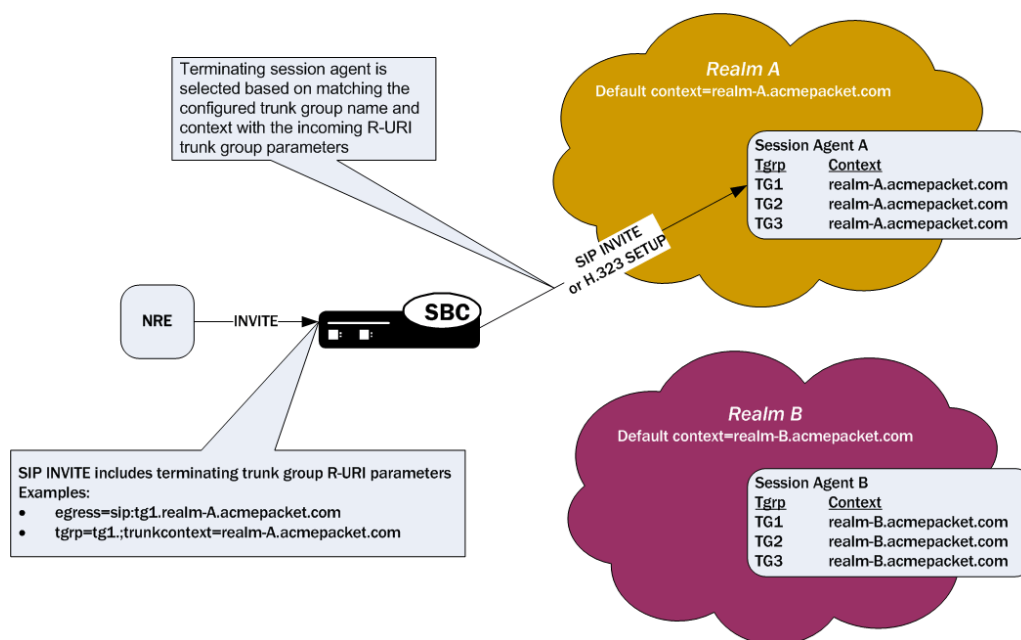
provstring = \*(domain ".") toplabel # up to 24 characters

toplabel = ALPHA / ALPHA \*( alphanumeric / "-") alphanumeric

domain = alphanumeric/ alphanumeric \*( alphanumeric / "-") alphanumeric

## Terminating Trunk Group URI Parameters and Formats

Terminating trunk group URI parameters appear in the R-URI, and they can be included in by a network routing element to instruct the Oracle® Enterprise Session Border Controller which egress trunk groups to use. By matching the trunk group URI parameter with configured session agents or session agent groups, the Oracle® Enterprise Session Border Controller can locate the terminating gateway. The trunk group name can also be expressed as the IP address of the terminating gateway.



In the absence of official SIP standards for transporting trunk groups between signaling elements, the Oracle® Enterprise Session Border Controller allows you to define the URI parameters used in terminating trunk groups.

There are two available formats for the terminating trunk group URIs:

1. In compliance with the IPTEL draft, the first format has two parameters: tgrp (which can be either a trunk group name or an IP address) and trunk-context (defines the network domain of the trunk group). These appear in the following formats:

- tgrp="trunk group name"
- trunk-context="network domain"

An example R-URI with terminating trunk group parameters appears as follows, where the tgrp is TG2-1 and the context is isp.example.net@egwy.isp.example.net:

```
INVITE sip:+15555551212;tgrp=TG2-1;trunk-
context=isp.example.net@egwy.isp.example.net SIP/2.0
```

2. The second format is customized specifically for egress URIs and contains two provisioned parameters: tgrp (or tgrname) and context (or tgdomain). This appears as tgrp.context (or tgrname.tgdomain), where definitions apply:

- tgrp (tgrname)—Provisioned trunk group name for the originating session agent; this value must have at least one alphabetical character, cannot contain a period (.), and can contain a hyphen (-) but not as the first or the last character
- context (tgdomain)—Name of the terminating trunk group context; this value can be up to twenty-four characters

The use of multiple terminating trunk groups is not supported.

The BNF for a single, egress URI with trunk group information conforms to:

```
SIP-URI = "sip:" [userinfo ] hostport uri-parameters [headers ]
uri-parameters = *( ";" uri-parameter )
uri-parameter = transport-param / user-param / method-param
                / ttl-param / maddr-param / lr-param / other-param
other-param = egressid / pname [ '=' pvalue ]
egressid = "egress=" egressURI
egressURI = scheme tname [ "." tgdomain ]
scheme = "sip:" / token
tname = ALPHA / *(alphanum) ALPHA *(alphanum / "-") alphanum /
        alphanum *(alphanum / "-") ALPHA *(alphanum) # up to 23
characters
tgdomain = *(domain ".") toplabel # up to 24 characters
toplabel = ALPHA / ALPHA *( alphanum / "-") alphanum
domain = alphanum/ alphanum *( alphanum / "-") alphanum
```

For all trunk group URI support, you must set the appropriate parameters in the SIP manipulations configuration and in the session agent or session agent group configurations.

In the originating trunk group URI scenario, a call arrives at the Oracle® Enterprise Session Border Controller from a configured session agent or session agent group. If this session agent or session agent group has the appropriate trunk group URI parameters and inbound manipulation rules configured, the Oracle® Enterprise Session Border Controller then looks to the SIP manipulations configuration and add the trunk group URI information according to those rules. Those rules tell the Oracle® Enterprise Session Border Controller where and how to insert the trunk group URI information, and the system forwards the call.

In the terminating trunk group scenario, a call arrives at the Oracle® Enterprise Session Border Controller from, for instance, a call agent. This call contains information about what trunk group to use. If the information matches a session agent or session agent group that has outbound manipulation rules configured, the Oracle® Enterprise Session Border Controller will then look up the SIP manipulations configuration and strip information according to those rules. Those rules tell the Oracle® Enterprise Session Border Controller where and how to remove the information, and the Oracle® Enterprise Session Border Controller forwards the call.

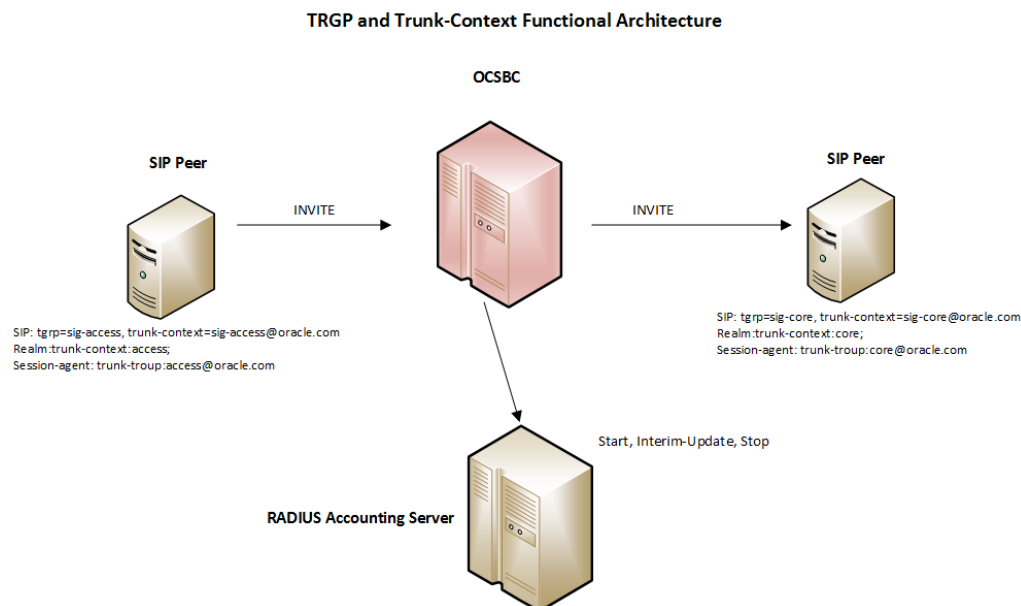
## Trunk Group Signaling Parameters

The Oracle® Enterprise Session Border Controller supports a dynamic reading of the initial INVITE message of the session Contact header and Request URI tag parameter. This facilitates populating the Trunk Group and Trunk Context parameters into the existing AVPs.

For Ingress messages, if the **trunk-group** and the **trunk-context** parameters are configured in the session agent and the realm-configuration respectively, the Oracle® Enterprise Session Border Controller populates these values in the Acme-Originating-Trunk-Group and the Acme-Originating Trunk-Context AVPs of the START/INTERMEDIATE/STOP accounting records. Similarly for an Egress session, if the trunk-group and the trunk-context parameters are configured in the session agent and the realm-configuration respectively, the Oracle® Enterprise Session Border

Controller populates these values in the Acme-Terminating-Trunk-Group and the Acme-Terminating-Trunk-Context AVPs of the START/INTERIM/STOP accounting records.

The following diagram shows the functional architecture of a typical access call flow scenario with Trunk Group and Trunk-Context parameters



The received SIP signaling URI trunk group parameters can be populated into the accounting AVP parameters for ingress and egress legs by adding the **populate-signaling-tgrp** option in the session-agent.

```
ORACLE#(session-agent) options +populate-signaling-tgrp
```

In the absence of the **trunk-group** and **trunk-context** parameters from the session-agent and realm-configuration respectively of the Ingress Session, if the session-agent is configured with the option **populate-signaling-tgrp**, the Oracle® Enterprise Session Border Controller will decode the tgrp and trunk-context parameters received in the initial INVITE message 'Contact header' of the session and cache these values for the session duration. SBC will then populate these received parameter values in Acme-Originating-Trunk-Group and Acme-Originating-Trunk-Context AVPs of START/INTERMEDIATE/STOP accounting records. Similarly for the egress session, the SBC will decode the tgrp and trunk-context parameters received in first INVITE message 'Request-URI' of the session and cache these values for the session duration. SBC will then populate these received parameter values in Acme-Terminating-Trunk-Group and Acme-Terminating-Trunk-Context AVPs of START/INTERIM/STOP accounting records.

Oracle® Enterprise Session Border Controller will cache and populate only if both tgrp and trunk-context and present in the Contact header. In the absence of even one of the parameters the system will discard the received parameter and will not populate the parameter to the corresponding AVP.

## SIP Header and Parameter Manipulation

SIP header and parameter manipulation is its own configuration where you can set up rules for the addition, removal, and modification of a SIP header or the elements of a SIP header. For example, you can set up the configuration to add a URI parameter to the URI in a SIP header or replace an FQDN with an IP address. For trunk group URI support, this configuration tells the Oracle® Enterprise Session Border Controller where and how to manipulate the SIP message to use originating (access) and terminating (egress) trunk group URI parameters.

These manipulations can be applied at the realm or at the session agent level.

## Trunk Group Routing

You can configure SIP interfaces (using the CLI **term-tgrp-mode** parameter) to perform routing based on the trunk group information received in SIP requests. There are three options: none, IPTEL, and egress URI.

- If you leave this parameter set to none (its default), the Oracle® Enterprise Session Border Controller will not look for or route based on terminating trunk group URI parameters
- When you set this parameter to either **iptel** or **egress-uri** and the incoming request has the trunk group parameter of this type (IPTEL or egress URI), the Oracle® Enterprise Session Border Controller will select the egress next hop by matching the “tgrp” and trunk context with a configured session agent or session agent group.  
If the received terminating trunk group URI parameters include an IP address, the egress next hop is the IP address specified. The Oracle® Enterprise Session Border Controller determines the egress realm by matching the trunk context it receives with the trunk context you configure for the realm.
- If the incoming request does not have trunk group parameters or it does not have trunk group parameters of the type that you configure, the Oracle® Enterprise Session Border Controller uses provisioned procedures and/or local policy for egress call routing.

The Oracle® Enterprise Session Border Controller returns errors in these cases:

- If the terminating trunk group URI parameters do not identify a local Oracle® Enterprise Session Border Controller session agent or session agent group, then the Oracle® Enterprise Session Border Controller returns a SIP final response of 488 Not Acceptable Here.
- If the Oracle® Enterprise Session Border Controller receives a SIP INVITE with terminating trunk group URI parameters that do not match the specified syntax, the Oracle® Enterprise Session Border Controller returns a 400 final response with the reason phrase Bad Egress=Parameters.

## Trunk Group URIs and SIP Registration Caching

For calls where SIP registration caching is used, you will need to set certain parameters that enable the Oracle® Enterprise Session Border Controller to preserve trunk group URI parameters on the outgoing side.

- For SIP-SIP calls, you set the preserve-user-info **option** in the SIP interface configuration.



- For SIP-H.323 calls requiring IWF, you set the `preserve-user-info-sa` **option** in the session agent configuration.

## Trunk Group URI Configuration

Before you configure your Oracle® Enterprise Session Border Controller to support trunk group URIs, you need to determine:

- How you want to manipulate SIP headers (entered in the SIP header manipulations configuration)
- For terminating trunk group routing, the trunk group mode you want to use (none, IPTEL, or egress URI); this decides routing based on trunk group information
- The trunk group name and context to use entered in a session agent or session agent group configuration
- Whether you are using originating or terminating trunk group URIs (entered in the session agent configuration)
- The trunk group context for use in a realm configuration, in case the trunk group name in the session agent or session agent group does not have a context

## Precedence Used for Trunk Group Configurations

The Oracle® Enterprise Session Border Controller (E-SBC) can insert trunk-group/trunk-context URIs into applicable SIP messages when the upstream SIP or H.323 gateways do not. The values inserted are dependent on E-SBC configuration and use configuration precedence when configurations conflict.

The E-SBC uses the following precedence when choosing these element's trunk-group and trunk-context configuration values for routing.

1. **session-agent** (SA)
2. **session-group** (SAG)
3. **realm**

 **Note:**

Do not configure a trunk context without a trunk-group.

The examples below present configurations for SA, SAG and realm and the resulting trunk group and context values to be inserted. Examples also include an explanation for the result.

Example 1 (Result—trgp1:contextg)

- SA Configuration: **trunk-group** tgrp1
- SAG Configuration: **trunk-group** tgrp2:context2
- Realm Configuration: **trunk-context** contextg

The E-SBC selects SA trunk-group value. The SA has no context, so the E-SBC uses the realm's context value.

Example 2 (Result—trgp1:context1)

- SA Configuration: **trunk-group** tgrp1:context1
- SAG Configuration: **trunk-group** tgrp2:context2
- Realm Configuration: **trunk-context** contextg

The E-SBC selects the SA trunk-group and context values.

Example 3 (Result—trgp2:context2)

- SA Configuration: **trunk-group** [null]
- SAG Configuration: **trunk-group** tgrp2:context2
- Realm Configuration: **trunk-context** contextg

The E-SBC selects the SAG trunk-group and context values.

Example 4 (Result—trgp2:contextg)

- SA Configuration: **trunk-group** [null]
- SAG Configuration: **trunk-group** tgrp2
- Realm Configuration: **trunk-context** contextg

The E-SBC selects the SAG trunk-group's value. The SAG has no context, so the E-SBC uses the realm's context value.

Example 5 (Result—none)

- SA Configuration: **trunk-group** [null]
- SAG Configuration: **trunk-group** [null]
- Realm Configuration: **trunk-context** contextg

The E-SBC has no configured trunk-group value and cannot support a context without a group.

Example 6 ( Result—ABC)

- SA Configuration: **trunk-group** [null]
- SAG Configuration: **trunk-group** ABC
- Realm Configuration: **trunk-context** [null]

The E-SBC selects the SAG trunk-group's value, and does not use a context.

## Configuring SIP Manipulations

When you configure the SIP header manipulations to support trunk group URIs, take note of:

- The name of the configuration, so that you can use it when you apply the manipulations in a session agent for the inbound or outbound manipulations
- The **new-value** parameter, which specifies the trunk group and trunk group context that you want to manipulate; the possible values that apply to trunk group URI configurations are \$TRUNK\_GROUP and \$TRUNK\_GROUP\_CONTEXT

## Setting the Trunk Group URI Mode for Routing

To set the mode for routing for terminating trunk group URIs:

1. In Superuser mode, type **configure terminal** and press Enter.

```
ORACLE# configure terminal
```

2. Type **session-router** and press Enter to access the session-related configurations.

```
ORACLE(configure)# session-router
```

3. Type **sip-interface** and press Enter.

```
ORACLE(session-router)# sip-interface  
ORACLE(sip-interface)#
```

4. **term-tgrp-mode**—Set the mode that you want to use for routing for terminating trunk group URIs. The default is **none**. Your choices are:

- **none**—Disables routing based on trunk groups
- **iptel**—Uses trunk group URI routing based on the IPTEL formats
- **egress-uri**—Uses trunk group URI routing based on the egress URI format

## Configuring a Session Agent for Trunk Group URIs

In a session agent, you can configure the outbound or inbound SIP header manipulation rules to use, as well as a list of trunk group names and contexts. For the trunk group names and contexts, you can use either the IPTEL or the custom format.

To configure a session agent for trunk group URIs:

1. In Superuser mode, type **configure terminal** and press Enter.

```
ORACLE# configure terminal
```

2. Type **session-router** and press Enter to access the session-related configurations.

```
ORACLE(configure)# session-router
```

3. Type **session-agent** and press Enter.

```
ORACLE(session-router)# session-agent  
ORACLE(session-agent)#
```

4. **out-manipulationid**—Enter the name of the SIP header manipulations configuration that you want to apply to the traffic exiting the Oracle® Enterprise Session Border Controller via this session agent. There is no default.
5. **in-manipulationid**—Enter the name of the SIP header manipulations configuration that you want to apply to the traffic entering the Oracle® Enterprise Session Border Controller via this session agent. There is no default.
6. **trunk-group**—In either IPTEL or custom format, enter the trunk group names and trunk group contexts to match. If you do not set the trunk group context, then the

Oracle® Enterprise Session Border Controller will use the one you set in the realm for this session agent.

Your CLI entries for this list must be one of these formats: `tgrp:context` or `tgrp.context`.

To make multiple entries, surround your entries in parentheses and separate them from each other with spaces. For example:

```
ORACLE(session-agent)# trunk-group (tgrp1:context1 tgrp2:context2)
```

7. **options**—If you want to configure trunk group URIs for SIP-H.323 calls that use the IWF and you are using SIP registration caching, you might need to add the `preserve-user-info-sa` to your list of session agent options.

If you are adding this option to a new session agent, you can just type **options**, a Space, and **preserve-user-info-sa**.

**If are adding this to an existing session agent, you must type a plus (+) sign before the option or you will remove any previously configured options. In order to append the new option to the options list, you must prepend the new option with a plus sign: options +preserve-user-info-sa.**

## Configuring a Session Agent Group for Trunk Group URIs

In a session agent group, you can configure the outbound or inbound SIP header manipulation rules to use, as well as a list of trunk group names and contexts. For the trunk group names and contexts, you can use either the IPTEL or the custom format.

To configure a session agent group for trunk group URIs:

1. In Superuser mode, type **configure terminal** and press Enter.

```
ORACLE# configure terminal
```

2. Type **session-router** and press Enter to access the session-related configurations.

```
ORACLE(configure)# session-router
```

3. Type **session-group** and press Enter.

```
ORACLE(session-router)# session-group  
ORACLE(session-agent-group)#
```

4. **trunk-group**—In either IPTEL or custom format, enter the trunk group names and trunk group contexts to match. If you do not set the trunk group context, then the Oracle® Enterprise Session Border Controller will use the one you set in the realm for this session agent group.

Your CLI entries for this list must take one of these formats: `tgrp:context` or `tgrp.context`.

To make multiple entries, surround your entries in parentheses and separate them from each other with spaces. For example:

```
ORACLE(session-agent-group)# trunk-group (tgrp1:context1  
tgrp2:context2)
```

## Setting a Trunk Group Context in a Realm

You can set trunk group contexts at the realm level, which will be used by all session agents and session agent groups if there is no context specified in their configurations.

The realm trunk group URI context accommodates the IPTEL and the custom format.

To configure a trunk group context for a realm:

1. In Superuser mode, type **configure terminal** and press Enter.

```
ORACLE# configure terminal
```

2. Type **media-manager** and press Enter to access the session-related configurations.

```
ORACLE(configure)# media-manager
```

3. Type **realm-config** and press Enter.

```
ORACLE(media-manager)# realm-config  
ORACLE(realm-config)#
```

4. **trunk-context**—Enter the trunk group context to use for this realm. There is no default.

## Using this Feature with a SIP Interface

If you are using the trunk group URIs feature with SIP interface that has registration caching enabled, then you need to configure the `preserve-user-info` option for that SIP interface.

1. In Superuser mode, type **configure terminal** and press Enter.

```
ORACLE# configure terminal
```

2. Type **session-router** and press Enter to access the session-related configurations.

```
ORACLE(configure)# session-router
```

3. Type **session-group** and press Enter.

```
ORACLE(session-router)# sip-interface  
ORACLE(sip-interface)#
```

4. **options**—Add support for trunk group URIs with SIP interface that uses registration caching.

If you are adding this option to a new SIP interface, you can just type **options**, a Space, and **preserve-user-info**.

**If are adding this to an existing SIP interface, you must type a plus (+) sign before the option or you will remove any previously configured options. In order to append the new option to the options list, you must prepend the new option with a plus sign: options +preserve-user-info.**

## Example 1 Adding Originating Trunk Group Parameters in IPTEL Format

This ACLI sample shows you how the ACLI SIP manipulations might appear in a case where you want to add originating trunk parameters in IPTEL format.

```

sip-manipulation
  name                               add_ipTEL
  header-rule
    name                             contact
    action                           manipulate
    match-value
    msg-type                          any
    element-rule
      name                            tgrp
      type                            uri-user-param
      action                          add
      match-val-type                  any
      match-value
      new-value                       $TRUNK_GROUP
  element-rule
    name                             trunk-context
    type                             uri-user-param
    action                          add
    match-val-type                  any
    match-value
    new-value
$TRUNK_GROUP_CONTEXT

```

## Example 2 Adding Originating Trunk Group Parameters in Custom Format

This ACLI sample shows you how the ACLI SIP manipulations might appear in a case where you want to add originating trunk parameters in custom format.

```

sip-manipulation
  name                               add_att
  header-rule
    name                             egressURI
    action                           uri-param
    match-value
    msg-type                          add
    element-rule
      name                            any
      type                            any
      action                          any
      match-val-type
      match-value

```

```

                                new-value
"sip:"+$TRUNK_GROUP+"."+$TRUNK_GROUP_CONTEXT

```

### Example 3 Removing IPTEL Trunk Group Names

This ACLI sample shows you how the ACLI SIP manipulations might appear in a case where you want to remove IPTEL trunk groups names.

```

sip-manipulation
  name                                strip iptel
  header-rule
    name                                request-uri
    action                              manipulate
    match-value
    msg-type                            any
  element-rule
    name                                tgrp
    type                                uri-user-param
    action                              delete-element
    match-val-type                      any
    match-value
    new-value
  element-rule
    name                                trunk-context
    type                                uri-user-param
    action                              delete-element
    match-val-type                      any
    match-value
    new-value

```

### Example 4 Removing Custom Trunk Group Names

This ACLI sample shows you how the ACLI SIP manipulations might appear in a case where you want to remove custom trunk groups names.

```

sip-manipulation
  name                                strip egress
  header-rule
    name                                request-uri
    action                              manipulate
    match-value
    msg-type                            any
  element-rule
    name                                egressURI
    type                                uri-param
    action                              delete-element
    match-val-type                      any
    match-value
    new-value

```

## Emergency Session Handling

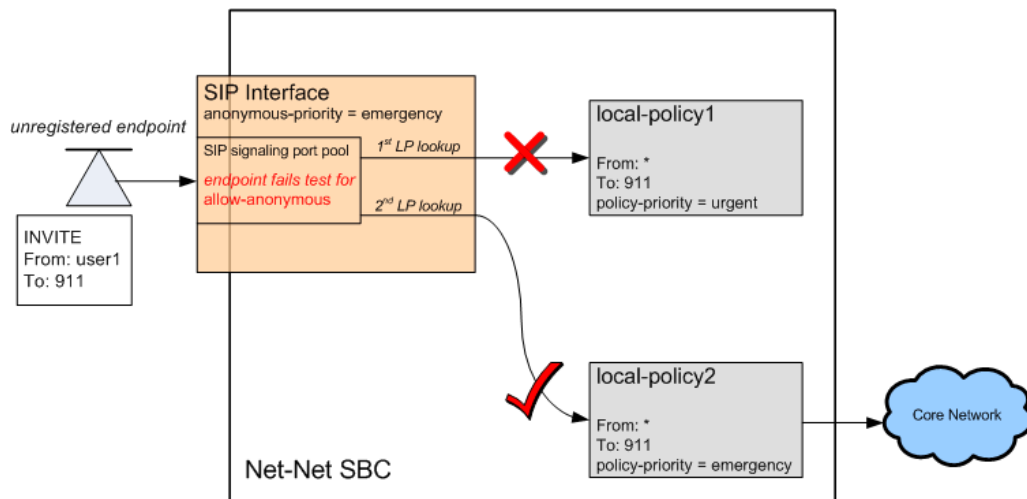
The Oracle® Enterprise Session Border Controller provides a mechanism to handle emergency sessions from non-allowed endpoints. An endpoint is designated as non-allowed if it fails the admission control criteria specified by the allow-anonymous parameter in the SIP Ports configuration element.

When the Oracle® Enterprise Session Border Controller receives a non-allowed emergency request, it performs a local policy lookup for a matching local policy. An emergency local policy could be configured to match if the To: header in a SIP message was addressed to 911.

An emergency policy priority selection criteria has been added to both the SIP interface and the local policy configuration elements. In the SIP interface, the parameter is called anonymous-priority. In the local policy, the parameter is called policy-priority.

For the Oracle® Enterprise Session Border Controller to choose a local policy to route an emergency call, the emergency policy priority value on the local policy must be equal to or greater than the emergency policy priority value on the SIP interface where the emergency message was received. In this scheme, an emergency policy priority value of none is the lowest value and an emergency policy priority value of emergency is the highest.

When a match is made between all existing local policy criteria and the emergency policy priority, the emergency call will be sent to the core network according to the chosen local policy. In addition, the policy priority value of the chosen local policy is inserted into the Priority header of the core-bound SIP message..



## Emergency Session Handling Configuration Procedures

Note the value of the allow-anonymous parameter in the SIP interface's SIP Ports for the incoming interface you are configuring. When an incoming emergency call from an unregistered endpoint can not be characterized by this setting, the Oracle® Enterprise Session Border Controller will use the following means to route the call.



Set the anonymous-priority parameter in the incoming SIP interface. This parameter specifies that for an INVITE received from an anonymous endpoint, the Oracle® Enterprise Session Border Controller will choose a local policy of equal or greater policy priority for outbound routing.

Next, set the policy-priority parameter located in the local-policy configuration element. Most likely, this local policy will route messages to SIP devices that act on emergency calls. The local policy is selected when its value (or above) matches the anonymous-priority parameter in the sip-interface that receives the incoming phone call from an unregistered endpoint.

The enumerated values for both the anonymous-priority and policy-priority are: none, normal, non-urgent, urgent, emergency.

## Emergency Session Handling Configuration

To set the anonymous priority for a message received in a SIP interface:

1. In Superuser mode, type **configure terminal** and press Enter.

```
ORACLE# configure terminal
```

2. Type **session-router** and press Enter to access the session-level configuration elements.

```
ORACLE(configure)# session-router  
ORACLE(session-router)#
```

3. Type **sip-interface** and press Enter. The system prompt changes to let you know that you can begin configuring individual parameters.

```
ORACLE(session-router)# sip-interface  
ORACLE(sip-interface)#
```

4. Type **select** and the number of the SIP interface you want to configure.

```
ORACLE(sip-interface)# select 1
```

5. **anonymous-priority**—Set the policy priority for this SIP interface. It is used to facilitate emergency sessions from unregistered endpoints. This value is compared against the policy-priority parameter in the local-policy configuration element. The default is none. The valid values are:

- none | normal | non-urgent | urgent | emergency

This completes the configuration.

```
ORACLE(sip-interface)# anonymous-priority emergency
```

6. Save your work using the ACLI **done** command.

## Setting Policy Priority

To set the policy priority for a local policy:

1. In Superuser mode, type **configure terminal** and press Enter.

```
ORACLE# configure terminal
```

2. Type **session-router** and press Enter to access the session-level configuration elements.

```
ORACLE(configure)# session-router  
ORACLE(session-router)#
```

3. Type **local-policy** and press Enter. The system prompt changes to let you know that you can begin configuring individual parameters.

```
ORACLE(session-router)# local-policy  
ORACLE(local-policy)#
```

4. Type **select** and the number of the local policy you want to configure.

```
ORACLE(local-policy)# select 1
```

5. **policy-priority**—Enter the policy priority for this local policy. It is used to facilitate emergency sessions from unregistered endpoints. This value is compared against the **anonymous-priority** parameter in the **sip-interface** configuration element. The default is **none**. The valid values are:

- none | normal | non-urgent | urgent | emergency

This completes the configuration.

```
ORACLE(local-policy)# anonymous-priority emergency
```

6. Save your work using the ACLI **done** command.

## Fraud Prevention

The Oracle® Enterprise Session Border Controller can constrain outgoing SIP messages to a maximum size in bytes in order to support fraud prevention techniques. If a message does exceed the configured size, it is dropped. A SIP message can be constrained from 0 to 65535 bytes, with a default value of 4096 bytes.

## Fraud Prevention Configuration

To set a maximum SIP message size:

1. In Superuser mode, type **configure terminal** and press Enter.

```
ORACLE# configure terminal
```

2. Type **session-router** and press Enter to access the signaling-level configuration elements.

```
ORACLE(configure)# session-router  
ORACLE(session-router)#
```

3. Type **sip-config** and press Enter. The system prompt changes to let you know that you can begin configuring individual parameters.

```
ORACLE(session-router)# sip-config
ORACLE(sip-config)#
```

4. Type **select** to configure the existing sip config.

```
ORACLE(sip-config)# select
```

5. **sip-message-len**—Set the size constraint in bytes of a SIP message. The default is **4096**. The valid range is:

- Minimum—0
- Maximum—65535

This completes the configuration.

```
ORACLE(sip-config)# sip-message-len 5000
```

6. Save your work using the ACLI **done** command.

## SIP Early Media Suppression

This section explains how to configure SIP early media suppression, which lets you determine who can send early media and in what direction. Early media are the RTP/RTCP packets sent from the called party to the caller, or vice versa, before a session is fully established (before a 200 OK is received). When the Oracle® Enterprise Session Border Controller receives an INVITE message with SDP, it can forward media packets to the calling endpoint as soon as it forwards the INVITE to the next hop. It can also forward media packets received from the calling endpoint to the called endpoint as soon as the Oracle® Enterprise Session Border Controller receives SDP in a SIP response to the INVITE, usually a provisional message. This allows for any early media to be played, such as remote ringback or announcement.

Early media can be unidirectional or bidirectional, and can be generated by the caller, the callee, or both.

With early media suppression, you can block early media until the call is established. You can define which outbound realms or next hop session agents are allowed to send or receive early media. Early media suppression only applies to RTP packets. RTCP packets received by Oracle® Enterprise Session Border Controller are still forwarded to their destination in both directions, unless an endpoint is behind a NAT and the media manager has not been enabled for RTCP forwarding.

### Note:

To use early media suppression, you cannot configure media release of any kind: same-realm, same-network, or multiple-system media release.

With the SIP-based addressing, early media suppression is based on the outbound SIP interface realms and the value of their early-media-allow parameter. When the Oracle® Enterprise Session Border Controller forwards a SIP Invite out a SIP

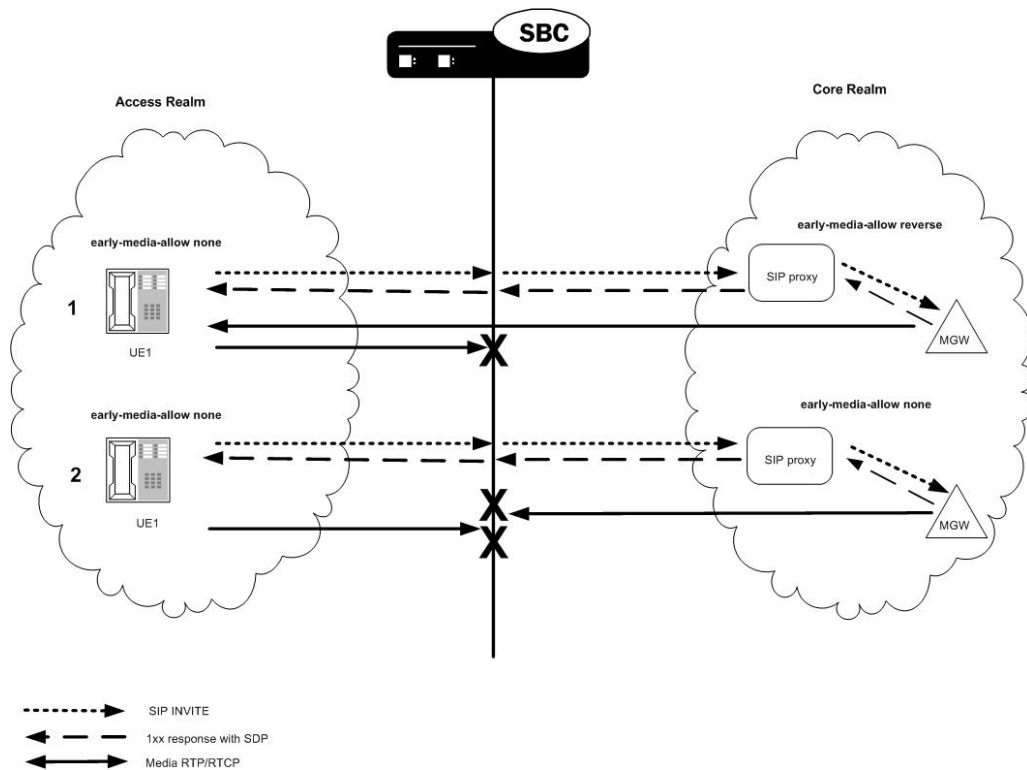
interface, the outbound realm is chosen based on the SIP layer information, such as the session agent for the next-hop or the address prefix of the next-hop SIP device. The matching realm's early-media-allow parameter value then applies to either allow all, block all, or block one-way early media until a 200 ok is received. At that point bidirectional media is allowed. The decision is based on SIP-layer addressing of next-hops.

You configure a rule for a realm or a session agent to use early media suppression. An early media suppression rule specifies whether you want to prevent early media in any direction, allow early media going to the calling endpoint in the reverse direction, or allow early media in both directions. The forward direction is when the packets flow from the caller to the called party. The reverse direction is when the packets flow from the called party to the caller.

The early media suppression rule is applied to a session. When the Oracle® Enterprise Session Border Controller initiates a new session, it first checks whether the next hop is a session agent and if so, whether an early media suppression rule has been configured it. If an early media suppression rule is found, the Oracle® Enterprise Session Border Controller enforces it. If the next hop is not a session agent or no early media suppression rule is configured, the Oracle® Enterprise Session Border Controller checks whether an early media suppression rule has been configured for the outbound realm. If it finds one, it enforces it.

## Example

The following illustration shows two examples of early media suppression.



1. Caller UE1 makes a call to the PSTN media gateway (MGW). The INVITE traverses from UE1 to the Oracle® Enterprise Session Border Controller through

the softswitch to the MGW. The Oracle® Enterprise Session Border Controller allows early media from the core to reach UE1.

2. The PSTN MGW makes a call to UE1. The INVITE traverses to the Oracle® Enterprise Session Border Controller and to UE1. The Oracle® Enterprise Session Border Controller blocks all early media to and from UE1 until a 200 OK is received.

## Early Media Suppression Support

The Oracle® Enterprise Session Border Controller supports suppressing early media in the following directions no matter which side makes the SDP offer, until it receives 200 OK for an INVITE:

- Forward direction based on the outbound realm or next-hop session agent
- Forward and reverse directions based on the outbound realm or next-hop session agent.

The Oracle® Enterprise Session Border Controller allows all media when a 200 OK response is received for the INVITE, regardless of whether the 200 OK response contains SDP.

## Call Signaling

The Oracle® Enterprise Session Border Controller media manager performs early media suppression according to an early media suppression rule. No change has been made to call signaling. For SIP, the Oracle® Enterprise Session Border Controller still forwards SDP received in an INVITE request or response after performing a NAT to the media connection address. After which, the Oracle® Enterprise Session Border Controller is ready to receive media packets from the endpoints. If an early media suppression rule has been configured, the Oracle® Enterprise Session Border Controller drops the packets going in the direction being specified by the rule.

For a H.323 to SIP call, early media suppression rule does not change how the Oracle® Enterprise Session Border Controller performs H.225/Q.931 call signaling and starts the H.245 procedure (if required) to establish logical channels for early media on the H.323 leg of the call.

## Suppression Duration

When early media suppression is enabled in a session, the block lasts until the session is established. For a SIP to SIP call or an H.323 to SIP call, a session is established when the system receives a 200 OK response to the INVITE. A 200 OK response to the INVITE terminates early media suppression, even when it does not contain a SDP. (A 200 OK response to a PRACK or an UPDATE request does not terminate early media suppression.) After a session is established, the Oracle® Enterprise Session Border Controller can receive a change in media session (for example, a re-INVITE with a new SDP) without an early media suppression rule blocking the media.

## About the Early Media Suppression Rule

An early media suppression rule is configured in the form of a permission. It specifies whether early media is allowed in both directions, the reverse direction only or not at

all. Reverse direction media is media sent in the upstream direction towards the calling endpoint.

## Session Agent Rule

The next-hop session agent's early media suppression rule is applied regardless of whether the media packet's source or destination address is the same as the session agent's address. For example, if the session's next hop session agent is 10.10.10.5 but the SDP in a 183 response specifies 10.10.10.6 as its connection address.

## Rule Resolution

When the call's next hop is a session agent and both the outbound realm of the call and the session agent have an early media suppression rule, the session agent's early media suppression rule takes precedence. If the session agent's early media suppression rule has not been configured, the outbound realm's early media suppression rule is used, if configured.

## Selective Early Media Suppression

Normally, the Oracle® Enterprise Session Border Controller performs early media blocking based on destination realm. Calls to such realms are prohibited from sending and receiving RTP until a SIP 200 OK response is received, and you can set the direction of the blocked media.

While decisions to block early media are customarily based on SIP-layer addressing, there are cases when the Oracle® Enterprise Session Border Controller can reject early media based on the SDP address in the SDP answer for a 1XX or 2XX response. By comparing the SDP address with the realm prefix or additional prefix address, it can block early media for matching realms. For these cases, you define global or signaling realms—ones that are not tied to SIP interfaces, but which establish additional address prefixes and rules for blocking early media.

This way, the Oracle® Enterprise Session Border Controller blocks all early media for SIP interface realms, but can accept it for global realms that reference media or PSTN gateways. This configuration allows early media for calls destined for the PSTN, and blocks it for user-to-user and PSTN-to-user calls.

Selective early media suppression addresses the fact that some service providers need to allow early media for certain user-to-user and PSTN-to-user calls to support, for example, custom ringback tones. The enhancements also address the fact that Oracle® Enterprise Session Border Controllers can themselves lose the ability to decide whether or not early media should be blocked when confronted with hairpinned call flows, or with traffic that traverses multiple Oracle® Enterprise Session Border Controllers.

To address this need, you can configure realm groups. Realm groups are sets of source and destination realms that allow early media to flow in the direction you configure. For example, you can set up realm groups to allow media from PSTN realms to user realms so that users can listen to PSTN announcements, but prohibit early media from user realms to PSTN realms.

 **Note:**

The source and destination realms you add to your lists need to be a global signaling realm matching the caller's SDP address prefix or a SIP realm.

## Configuring the Realm

To configure the realm:

1. In Superuser mode, type **configure terminal** and press Enter.

```
ORACLE# configure terminal
```

2. Type **media-manager** and press Enter to access the system-level configuration elements.

```
ORACLE(configure)# media-manager
```

3. Type **realm** and press Enter. The system prompt changes to let you know that you can begin configuring individual parameters.

```
ORACLE(media-manager)# realm
ORACLE(realm)#
```

4. If configuring an existing realm, enter the select command to select the realm.
5. **early-media-allow**—Enter the early media suppression rule for the realm. The valid values are:

- **none**—No early media is allowed in either direction
- **both**—Early media is allowed in both directions
- **reverse**—Early media received by Oracle® Enterprise Session Border Controller in the reverse direction is allowed

There is no default value. If you leave this parameter blank, early media is allowed in either direction. You can use the following command to clear this parameter:

```
early-media-allow ()
```

6. Save and activate your configuration.

For example:

```
realm-config
  identifier                access1
  addr-prefix                192.168.1.0/24
  network-interfaces
  media:0
  mm-in-realm                enabled
  mm-in-network              enabled
  msm-release                disabled
  qos-enable                 disabled
```

```
max-bandwidth          0
max-latency            0
max-jitter             0
max-packet-loss       0
observ-window-size    0
parent-realm
dns-realm
media-policy
in-translationid
out-translationid
class-profile
average-rate-limit    0
access-control-trust-level none
invalid-signal-threshold 0
maximum-signal-threshold 0
deny-period           30
early-media-allow     none
last-modified-date    2006-02-06 13:09:20
```

## Configuring Session Agents

If you do not configure early media suppression for a session agent, the early media suppression for the outbound realm is used, if configured.

To configure session agents:

1. In Superuser mode, type **configure terminal** and press Enter.

```
ORACLE# configure terminal
```

2. Type **session-router** and press Enter to access the system-level configuration elements.

```
ORACLE(configure)# session-router
```

3. Type **session-agent** and press Enter. The system prompt changes to let you know that you can begin configuring individual parameters.

```
ORACLE(session-router)# session-agent
ORACLE(session-agent)#
```

4. If configuring an existing session agent, enter the select command to select the session agent.
5. **early-media-allow**—Enter the early media suppression rule for the session agent. The valid values are:
  - **none**—No early media is allowed in either direction
  - **both**—Early media is allowed in both directions
  - **reverse**—Early media received by Oracle® Enterprise Session Border Controller in the reverse direction is allowed



There is no default value. If you leave this parameter blank, early media is allowed in either direction. You can use the following command to clear this parameter:

```
early-media-allow ( )
```

## 6. Save and activate your configuration.

For example:

```
session-agent
  hostname                cust1
  ip-address              192.168.1.24
  port                   5060
  state                  enabled
  app-protocol           SIP
  app-type
  transport-method      UDP
  realm-id               access1
  description
  carriers
  allow-next-hop-lp     enabled
  constraints            disabled
  max-sessions           0
  max-outbound-sessions 0
  max-burst-rate        0
  max-sustain-rate      0
  time-to-resume        0
  ttr-no-response       0
  in-service-period     0
  burst-rate-window     0
  sustain-rate-window   0
  req-uri-carrier-mode   None
  proxy-mode
  redirect-action
  loose-routing          enabled
  send-media-session     enabled
  response-map
  ping-method
  ping-interval         0
  media-profiles
  in-translationid
  out-translationid
  trust-me               disabled
  early-media-allow     reverse
  last-modified-date    2006-05-06 13:26:34
```

## Configuring Realm Groups

To configure a realm group for selective early media suppression:

1. In Superuser mode, type **configure terminal** and press Enter.

```
ORACLE# configure terminal  
ORACLE(configure)#
```

2. Type **media-manager** and press Enter.

```
ORACLE(configure)# media-manager  
ORACLE(media-manager)#
```

3. Type **realm-group** and press Enter.

```
ORACLE(media-manager)# realm-group  
ORACLE(realm-group)#
```

4. **name**—Enter the name of the realm group.

5. **source-realm**—Enter the list of one or more global/SIP realms that you want to designate as source realms for the purpose of blocking early media; this is the realm identifier value for the realms you want on the list. Values in this list refer to calling SDP realms; this parameter has no default. To enter more than one realm in the list, list all items separated by a comma and enclose the entire entry in quotation marks:

```
ORACLE(realm-group)# source-realm Private, Public
```

To add a realm to the list, use the plus sign (+) in front of each new entry.

```
ORACLE(realm-group)# source-realm +Private
```

You can also remove single items in the list by using the minus sign (-) directly in front of the realm identifier.

```
ORACLE(realm-group)# source-realm -Private
```

6. **destination-realm**—Enter the list of one or more global/SIP realms that you want to designate as destination realms for the purpose of blocking early media; this is the realm identifier value for the realms you want on the list. Values in this list refer to called SDP realms; this parameter has no default. To enter more than one realm in the list, list all items separated by a comma and enclose the entire entry in quotation marks:

7. **ORACLE(realm-group)# source-realm Private, Public**

To add a realm to the list, use the plus sign (+) in front of each new entry.

```
ORACLE(realm-group)# destination-realm +Private
```

You can also remove single items in the list by using the minus sign (-) directly in front of the realm identifier.

```
ORACLE(realm-group)# destination-realm -Private
```

8. **early-media-allow-direction**—Set the direction for which early media is allowed for this realm group. Valid values are:
  - none—Turns off the feature for this realm group by blocking early media
  - reverse—Allows early media to flow from called to caller
  - both (default)—Allows early media to flow to/from called and caller
9. Save and activate your configuration.

## SDP-Response Early Media Suppression

This section explains how to configure SDP-response early media suppression, which can be used when the Oracle® Enterprise Session Border Controller is deployed after a softswitch or proxy in the signaling path. In this deployment, user endpoints and gateways communicate directly with the softswitch or proxy, which in turn sends call signaling to the Oracle® Enterprise Session Border Controller. The call signaling gets sent back to the same or different softswitch or proxy. Because the Oracle® Enterprise Session Border Controller does not communicate with the endpoints or gateways that are the media terminators, early media suppression for this deployment must use SDP-based addressing rather than the SIP-based addressing (described in the SIP Early Media Suppression section in this technical notice).

Using this feature lets you configure specific IP addresses for which early media should not be suppressed, based on SDP addressing. The Oracle® Enterprise Session Border Controller checks the SDP addresses in SIP responses against these IP address or address ranges to determine on which media gateway a call terminates.

## SIP-Based Addressing

With the SIP-based addressing described in the SIP Early Media Suppression section, early media suppression is based on the outbound SIP interface realms and the value of their early-media-allow parameter. When the Oracle® Enterprise Session Border Controller forwards a SIP Invite out a SIP interface, the outbound realm is chosen based on the SIP layer information, such as the session agent for the next-hop or the address prefix of the next-hop SIP device. The matching realm's early-media-allow parameter value then applies to either allow all, block all, or block one-way early media until a 200 OK is received. At that point bidirectional media is allowed. The decision is based on SIP-layer addressing of next-hops.

## SDP-Based Addressing

SDP-response early media suppression follows the same sequence described for SIP-based addressing with one exception. A provisional response with SDP media can make the Oracle® Enterprise Session Border Controller select a new early-media-allow rule from another realm, based on the addressing inside the responding SDP.

When the SDP-response early media suppression feature is enabled, the Oracle® Enterprise Session Border Controller searches the outbound SIP interface's realms for a matching address prefix with the connection address in the responding SDP. If it finds a match, it uses the early-media-allow parameter value of that realm until the 200 OK message is received, then bidirectional media is allowed regardless. If the Oracle® Enterprise Session Border Controller does not find a match, it searches all of the global realms for one. If it finds a match, the Oracle® Enterprise Session Border Controller uses that realm's early-media-allow parameter value. If it does not

find a match in the global realm(s), the Oracle® Enterprise Session Border Controller continues to use the previous `early-media-allow` parameter value.

## Global Realms

Global realms are realms that are not parents or children of any other realms, do not have defined SIP interfaces and ports (or any signaling interface or stack), and are configured to use the network interface `lo0:0`. They are special realms, applicable system-wide, and are currently only used for this feature. The only global realm configuration parameters applicable to early media suppression are:

- `addr-prefix`
- `additional-prefixes`
- `early-media-allow`
- `network-interface` (which must be set to `lo0:0`)

## Additional Prefixes

You can specific additional prefixes in addition to that of the `addr-prefix` parameter you configure for a realm. For example, you can configure a global realm with additional address prefixes to specify the IP addresses (or ranges of addresses) of the media gateways that are allowed to send and receive early media. This overrides the SIP interface realm's early media blocking settings.

You can also enter additional prefixes in non-global realms. These additional prefixes function the same as would multiple values in the `addr-prefix` parameter (which only takes one value), except addresses in `additional-prefixes` are not used for SIP NATs.

## Using the SDP-Response Early Media Suppression Rule

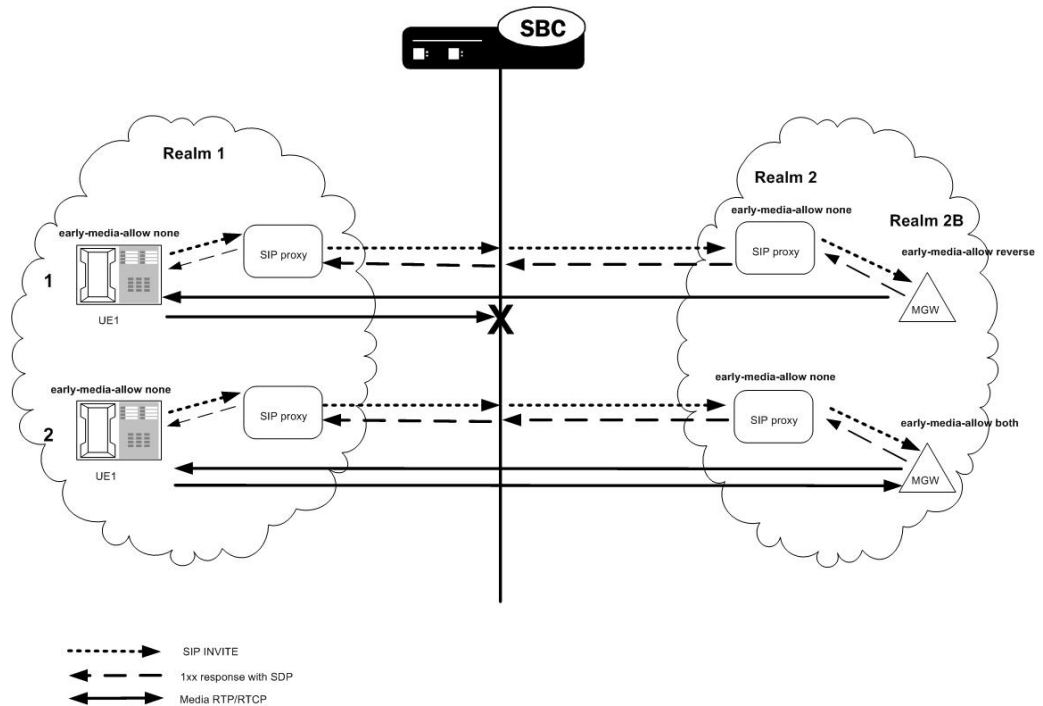
To use SDP-response early media suppression, you must add the `early-media-sdp-realms` option to the SIP interface configuration that interfaces with the next-hop device, such as the supported softswitch.

When the Oracle® Enterprise Session Border Controller receives a provisional response that includes SDP from the called endpoint, and the `early-media-sdp-realms` option is active in the outgoing SIP interface of the call, it first searches the realms that apply to the outgoing SIP interface. If it does not find a realm, the Oracle® Enterprise Session Border Controller searches the global realms. If the search yields a new realm that is not the SIP interface realm, its early media suppression rule (if any) replaces the existing one. Only the early media suppression rule of the new realm is applied to the call. Other realm properties from the outbound realm remain applicable to the call. If no new realm is found, the early media policy of the outgoing SIP interface realm is applied.

The Oracle® Enterprise Session Border Controller allows media when the SDP media connect address in a response matches one of a configured list of IP address ranges defined in a realm and the realm has early media allowed. You need to configure specific a IP address or address range to specify which media gateways should not be suppressed based on SDP media addresses. The IP addresses are checked against the SDP being received. The decision for suppression is based on whether the matching realm allows early media. The early media will be suppressed if the matching realm does not allow early media or if there is no match and the outbound SIP interface realm does not allow early media.

## Example

The following illustration shows two examples of SDP-response early media suppression.



## Configuring SDP-Response Early Media Suppression

To configure SDP-response early media suppression:

1. Add the `early-media-sdp-realms` option to the SIP interface that interfaces with the softswitch.
2. Configure the SIP interface realm with an early media suppression rule that blocks all early media.
3. Configure either or both of the following:
  - One or more of the SIP realm's child realms, each with an early media suppression rule that allows all or reverse direction early media and a list of additional prefixes that specifies the IP addresses of the media gateways, or a range of IP addresses that includes the media gateways. Early media is allowed from these gateways only for calls that signals through this SIP interface.
  - One or more realms that has the network interface equal to `lo0:0`, an early media suppression rule that allows all or reverse direction early media and a list of additional prefixes that specifies the IP addresses of the media gateways, or a range of IP addresses that includes the media gateways. Early media is allowed from these gateways regardless of interface.

## Configuring the SIP Interface

To configure a SIP interface:

1. In Superuser mode, type **configure terminal** and press Enter.

```
ORACLE# configure terminal
```

2. Type **session-router** and press Enter to access the system-level configuration elements.

```
ORACLE(configure)# session-router
```

3. Type **sip-interface** and press Enter. The system prompt changes to let you know that you can begin configuring individual parameters.

```
ORACLE(session-router)# sip-interface
ORACLE(sip-interface)#
```

From this point, you can configure SIP interface parameters. To view all sip-interface parameters, enter a **?** at the system prompt.

4. If configuring an existing interface, enter the select command to select the interface.
5. **options**—Enter **early-media-sdp-realms** as the option. If adding to an existing list of options, use a preceding plus (+) sign.

```
options +early-media-sdp-realms
```

6. Continue to the next section to configure the outbound realm.

For example:

```
ORACLE(session-router)# sip-interface
ORACLE(sip-interface)# options + early-media-sdp-realms
ORACLE(sip-interface)# done
sip-interface
state                               enabled
realm-id                             access1
sip-port
address                               192.168.1.30
port                                   5060
transport-protocol                    UDP
allow-anonymous                       all
carriers
proxy-mode                             Proxy
redirect-action
contact-mode                           maddr
nat-traversal                          none
nat-interval                           30
registration-caching                   disabled
min-reg-expire                         300
registration-interval                  3600
```

```

route-to-registrar          disabled
teluri-scheme              disabled
uri-fqdn-domain
options                    early-media-sdp-realms
trust-mode                 all
last-modified-date        2006-05-10 18:27:31

```

## Configuring a Realm

To configure a realm:

1. In Superuser mode, type **configure terminal** and press Enter.

```
ORACLE# configure terminal
```

2. Type **media-manager** and press Enter to access the system-level configuration elements.

```
ORACLE(configure)# media-manager
```

3. Type **realm-config** and press Enter. The system prompt changes to let you know that you can begin configuring individual parameters.

```
ORACLE(media-manager)# realm-config
ORACLE(realm-config)#
```

4. If configuring an existing realm, enter the select command to select the realm.
5. **early-media-allow**—Enter the early media suppression rule for the realm. The valid values are:
  - **both**—Early media is allowed in both directions
  - **reverse**—Early media received by Oracle® Enterprise Session Border Controller in the reverse direction is allowed
  - **none**—Early media is blocked
6. **additional-prefixes**—Enter a single or a comma-delimited list of IP address prefixes to use in addition to the value of the **addr-prefix** parameter.

```
<IPv4> [ /<number of bits> ]
```

<IPv4> is a valid IPv4 address and <number of bits> is the number of bits to use to match an IP address with the address prefix. Not specifying <number of bits> implies that all 32 bits are used for matching.

Enclose the list between quotes if there is any space between a comma and the next address prefix.

You can add and remove address prefixes to and from the list:

- **add-additional-prefixes** adds one or more additional prefixes

```
add-additional-prefixes 192.168.201.69
```

- `remove-additional-prefixes` removes one or more additional prefixes

```
remove-additional-prefixes 192.168.201.69
```

If using multiple address prefixes, enter a comma-delimited list.

## 7. Save and activate your configuration.

For example:

```
ORACLE# configure terminal
ORACLE(configure)# media-manager
ORACLE(media-manager)# realm-config
ORACLE(realm-config)# additional-prefixes
192.168.200.0/24,192.168.201.68
ORACLE(realm-config)# done
realm-config
    identifier                early-media
    addr-prefix                0.0.0.0
    network-interfaces
                                media2:0
    mm-in-realm                disabled
    mm-in-network              enabled
    msm-release                disabled
    qos-enable                  disabled
    max-bandwidth              0
    max-latency                 0
    max-jitter                  0
    max-packet-loss            0
    observ-window-size         0
    parent-realm
    dns-realm
    media-policy
    in-translationid
    out-translationid
    in-manipulationid
    out-manipulationid
    class-profile
    average-rate-limit         0
    access-control-trust-level none
    invalid-signal-threshold   0
    maximum-signal-threshold   0
    untrusted-signal-threshold 0
    deny-period                 30
    symmetric-latching         disabled
    pai-strip                   disabled
    trunk-context
    early-media-allow          reverse
    additional-prefixes        192.168.200.0/24
192.168.201.69
    last-modified-date         2006-05-11 06:47:31
```



## SIP Duplicate SDP Suppression

Using the **strip-dup-sdp** option in the SIP configuration, you can enable your Oracle® Enterprise Session Border Controller to suppress a duplicate SDP answer in the reliable responses (1xx and 2xx) in an INVITE transaction.

During INVITE transactions in certain networks, SDP answers in reliable provisional responses (1xx) can cause interoperability issues. This issue occurs when the UAS includes the SDP answer in subsequent 1xx responses or in the final 2xx response, and the UAC views that inclusion as a protocol violation. The UAC does so based on the fact that the SDP answer was reliably delivered to it in a 1xx response, and so it views additional SDP information as unnecessary in and ensuing reliable 1xx or 200 OK responses.

RFCs 3216 and 3262 do not specifically call out the UAS's including SDP information in this way as a protocol violation. Still, the system allows you set enable the **strip-dup-sdp** option as a means of preventing the UAC from terminating sessions. With this option enabled, the Oracle® Enterprise Session Border Controller removes the SDP answer in subsequent reliable provisional or final 200 OK responses if it is identical to the SDP answer previously received.

## SIP Duplicate SDP Suppression Configuration

To enable duplicate SDP suppression for SIP sessions:

1. In Superuser mode, type `configure terminal` and press Enter.

```
ORACLE# configure terminal
```

2. Type `session-router` and press Enter.

```
ORACLE(configure)# session-router
ORACLE(session-router)#
```

3. Type `sip-config` and press Enter.

```
ORACLE(session-router)# sip-config
ORACLE(sip-config)#
```

If you are adding support for this feature to a pre-existing configuration, then you must select (using the ACLI **select** command) the configuration that you want to edit.

4. **options**—Set the options parameter by typing `options`, a Space, and then the option name **strip-dup-sdp**. Then press Enter.

```
ORACLE(sip-config)# options +strip-dup-sdp
```

If you type the option without the plus sign, you will overwrite any previously configured options. In order to append the new options to this configuration's options list, you must prepend the new option with a plus sign as shown in the previous example.

## SIP SDP Address Correlation

SIP SDP address correlation ensures that when the Oracle® Enterprise Session Border Controller receives a request containing SDP, the L3 source address of the request is compared against the address in the c-line of the SDP. When the addresses match, the session proceeds as it normally would. If there is a mismatch, the call is rejected with the default 488 status code. You can also configure the code you want to use instead of 488.

This functionality works only with non-HNT users. The value c=0.0.0.0 is an exception and is always processed.

### SIP SDP Address Correlation Configuration Mismatch Status Code

To apply a new status code to a SDP address correlation mismatch:

1. In Superuser mode, type **configure terminal** and press Enter.

```
ORACLE# configure terminal
ORACLE(configure)#
```

2. Type **session-router** and press Enter.

```
ORACLE(configure)# session-router
ORACLE(session-router)#
```

3. Type **local-response-map** and press Enter. The system prompt changes to let you know that you can begin configuring individual parameters.

```
ORACLE(session-router)# local-response-map
ORACLE(local-response-map)#
```

4. Type **entries** and press Enter. The system prompt changes to let you know that you can begin configuring individual parameters.

```
ORACLE(local-response-map)# entries
ORACLE(local-response-map-entry)#
```

From here, you can view the entire menu for the local response map entries configuration by typing a **?**.

5. **local-error**—Enter `sdp-address-mismatch` for which to apply the new status code.
6. **sip-status**—Set the SIP response code to use.
7. **sip-reason**—Set the SIP reason string you want to use for this mapping.

```
ACMEPACKET(local-response-map-entry)# local-error sdp-
addressmismatch
ACMEPACKET(local-response-map-entry)# sip-status 403
ACMEPACKET(local-response-map-entry)# sip-reason sdp address
mismatch
```

8. Save and activate your configuration.

## SIP SDP Address Correlation Configuration Enforcement Profile

To apply an enforcement profile to a realm:

1. In Superuser mode, type **configure terminal** and press Enter.

```
ORACLE# configure terminal  
ORACLE(configure)#
```

2. Type **media-manager** and press Enter.

```
ORACLE(configure)# media-manager  
ORACLE(media-manager)#
```

3. Type **realm-config** and press Enter. The system prompt changes to let you know that you can begin configuring individual parameters.

```
ORACLE(media-manager)# realm-config  
ORACLE(realm-config)#
```

4. **enforcement-profile**—Enter the name of the enforcement profile you want to apply to this realm.

```
ORACLE(realm-config)# enforcement-profile profile1
```

5. Save and activate your configuration.

## SIP SDP Address Correlation Configuration Address Checking

The **sdp-address-check**, in the **enforcement-profile** element can be set to enable the SDP address correlation.

To enable SDP address checking:

1. In Superuser mode, type **configure terminal** and press Enter.

```
ORACLE# configure terminal  
ORACLE(configure)#
```

2. Type **session-router** and press Enter.

```
ORACLE(configure)# session-router  
ORACLE(session-router)#
```

3. Type **enforcement-profile** and press Enter. The system prompt changes to let you know that you can begin configuring individual parameters.

```
ORACLE(session-router)# enforcement-profile  
ORACLE(enforcement-profile)#
```

4. Use the CLI **select** command so that you can work with the enforcement profile configuration to which you want to add this parameter.

```
ORACLE(enforcement-profile) select
```

5. **sdp-address-check**—Enable or disable SDP address checking on the Oracle® Enterprise Session Border Controller. The default for this parameter is **disabled**.

```
ORACLE(enforcement-profile)# sdp-address-check enabled
```

6. Save and activate your configuration.

If a mismatch occurs and you want to reject the call with a status code other than 488, you set the code you want to use in the local response code map entries.

## SDP Insertion for (Re)INVITES

If your network contains some SIP endpoints that do not send SDP in ReINVITES but also contains others that refuse INVITES without SDP, this feature can facilitate communication between the two types. The Oracle® Enterprise Session Border Controller can insert SDP into outgoing INVITE messages when the corresponding, incoming INVITE does not contain SDP.

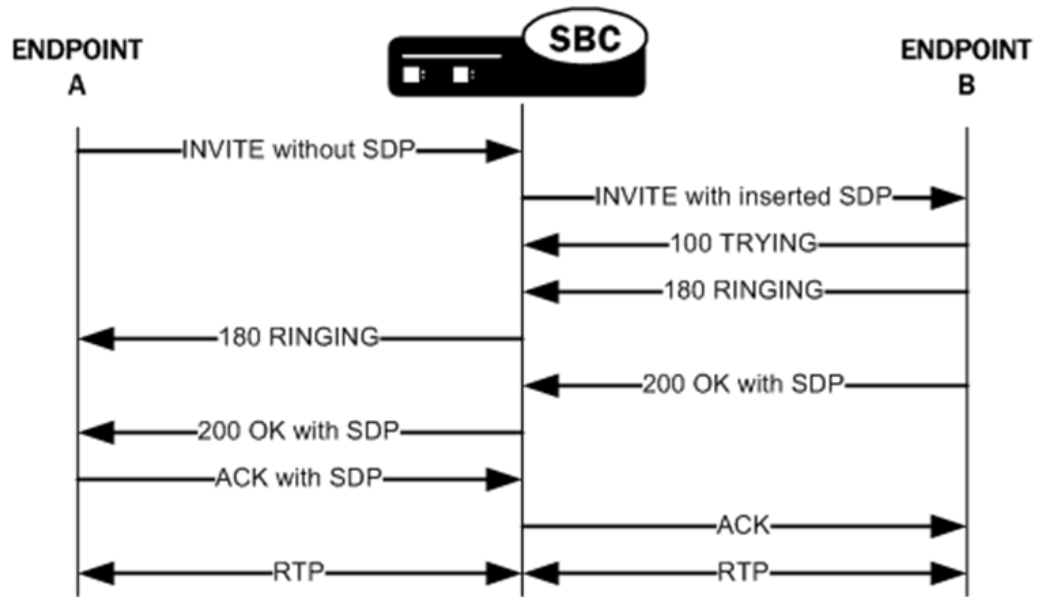
You can also use this feature when the network devices used in H.323-SIP interworking do not include SDP in the INVITES sent to SIP endpoints. In this case, the Oracle® Enterprise Session Border Controller can insert SDP in the outgoing INVITE messages it forwards to the next hop.

This feature works for both INVITES and ReINVITES.

This section explains how the SDP insertion feature works for INVITES and ReINVITES. The examples used this section are both pure SIP calls. Even when you want to use this feature for IWF calls, though, you configure it for the SIP side.

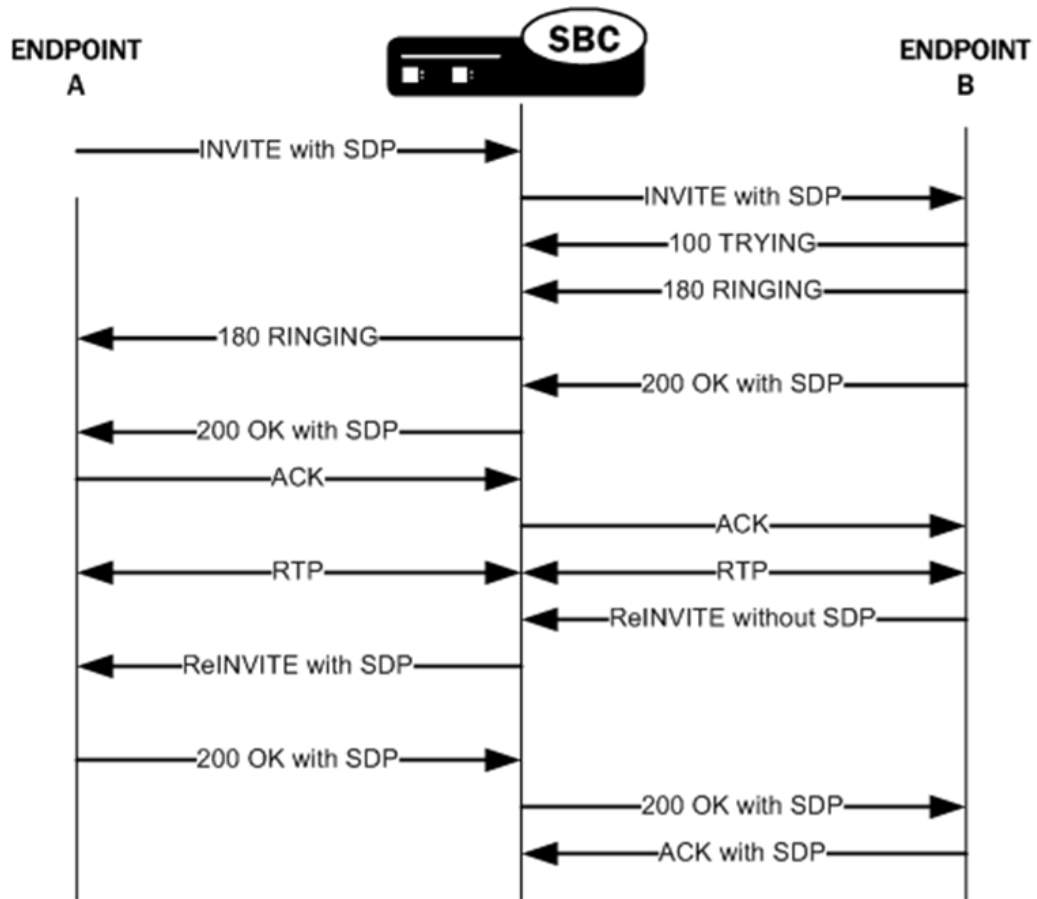
## SDP Insertion for SIP INVITES

With the parameters mentioned above appropriately configured, the Oracle® Enterprise Session Border Controller inserts SDP into an outgoing INVITE when the corresponding incoming INVITE has none. Because no SDP information is available for the session, the Oracle® Enterprise Session Border Controller uses a media profile from a list of them you configure and then apply for SDP insertion.



## SDP Insertion for SIP ReINVITES

The section explains SDP insertion for ReINVITES, using a case where SIP session has been established with an initial INVITE containing SDP. In the diagram below, you can see the initial INVITE results in a negotiated media stream. But after the media stream is established, Endpoint B sends a ReINVITE without SDP to the Oracle® Enterprise Session Border Controller. In this case, the Oracle® Enterprise Session Border Controller inserts the negotiated media information from the initial INVITE as the ReINVITE's SDP offer. For subsequent ReINVITES with no SDP, the Oracle® Enterprise Session Border Controller inserts the negotiated media information from the last successful negotiation as the ReINVITE's SDP offer. It then sends this ReINVITE with inserted SDP to the next hop signaling entity.



## SDP Insertion Configuration

This section shows you how to configure SDP insertion for the calls cases described above.

### Configuring SDP Insertion for SIP INVITES

To work properly, SDP insertion for SIP invites requires you to set a valid media profile configuration.

To enable SDP insertion for INVITES:

1. In Superuser mode, type **configure terminal** and press Enter.

```
ORACLE# configure terminal
ORACLE(configure)#
```

2. Type **session-router** and press Enter.

```
ORACLE(configure)# session-router
ORACLE(session-router)#
```

3. Type **sip-interface** and press Enter.

```
ORACLE(session-router)# sip-interface
ORACLE(sip-config)#
```

4. **add-sdp-invite**—Change this parameter from disabled (default), and set it to **invite**.
5. **add-sdp-profile**—Enter a list of one or more media profile configurations you want to use when the system inserts SDP into incoming INVITEs that have no SDP. The media profile contains media information the Oracle® Enterprise Session Border Controller inserts in outgoing INVITE.

This parameter is empty by default.

6. Save and activate your configuration.

## Configuring SDP Insertion for SIP ReINVITEs

In this scenario, the Oracle® Enterprise Session Border Controller uses the media information negotiated early in the session to insert after it receives an incoming ReINVITE without SDP. The Oracle® Enterprise Session Border Controller then sends the ReINVITE with inserted SDP to the next hop signaling entity. You do not need the media profiles setting for ReINVITEs.

To enable SDP insertion for ReINVITEs:

1. In Superuser mode, type **configure terminal** and press Enter.

```
ORACLE# configure terminal
ORACLE(configure)#
```

2. Type **session-router** and press Enter.

```
ORACLE(configure)# session-router
ORACLE(session-router)#
```

3. Type **sip-interface** and press Enter.

```
ORACLE(session-router)# sip-interface
ORACLE(sip-config)#
```

4. **add-sdp-invite**—Change this parameter from disabled (default), and set it to **reinvite**.
5. Save and activate your configuration.

## Restricted Media Latching

The restricted media latching feature lets the Oracle® Enterprise Session Border Controller latch only to media from a known source IP address, in order to learn and latch the dynamic UDP port number. The restricting IP address's origin can be either the SDP information or the SIP message's Layer 3 (L3) IP address, depending on the configuration.

## About Latching

Latching is when the Oracle® Enterprise Session Border Controller listens for the first RTP packet from any source address/port for the destination address/port of the Oracle® Enterprise Session Border Controller. The destination address/port is allocated dynamically and sent in the SDP. After it receives a RTP packet for that allocated destination address/port, the Oracle® Enterprise Session Border Controller only allows subsequent RTP packets from that same source address/port for that particular Oracle® Enterprise Session Border Controller destination address/port. Latching does not imply that the latched source address/port is used for the destination of the reverse direction RTP packet flow (it does not imply the Oracle® Enterprise Session Border Controller will perform symmetric RTP).

## Restricted Latching

The Oracle® Enterprise Session Border Controller restricts latching of RTP/RTCP media for all calls within a realm. It latches to media based on one of the following:

- SDP: the IP address and address range based on the received SDP c= connect address line in the offer and answer.
- Layer 3: the IP address and address range based on the received L3 IP address of the offer or answer. This option is for access registered HNT endpoints. If the L3 IP address is locally known and cached by the Oracle® Enterprise Session Border Controller as the public SIP contact address, that information could be used instead of waiting for a response. The Oracle® Enterprise Session Border Controller might use the L3 IP address restriction method for all calls regardless of whether the endpoint is behind a NAT or not, for the same realms.

## Symmetric Latching

A mode where a device's source address/ports for the RTP/RTCP it sends to the Oracle® Enterprise Session Border Controller (E-SBC) that are latched, are then used for the destination of RTP/RTCP sent to the device.

After allocating the media session in SIP, the E-SBC sets the restriction mode and the restriction mask for the calling side as well as for the called side. It sets the source address and address prefix bits in the flow. It also parses and loads the source flow address into the MIBOCO messages. After receiving the calling SDP, the E-SBC sets the source address (address and address prefix) in the appropriate flow (the flow going from calling side to the called side). After receiving the SDP from the called side, the E-SBC sets the source address in the flow going from the called side to the calling side.

The E-SBC uses either the address provided in the SDP or the layer 3 signaling address for latching. You also configure the E-SBC to enable latching so that when it receives the source flow address, it sets the address and prefix in the NAT flow. When the NAT entry is installed, all the values are set correctly. In addition, sipd sends the information for both the incoming and outgoing flows. After receiving SDP from the called side sipd, the E-SBC sends information for both flows to the MIBOCO so that the correct NAT entries are installed.

Enabling restricted latching may make the E-SBC wait for a SIP/SDP response before latching, if the answerer is in a restricted latching realm. This is necessary because the



E-SBC does not usually know what to restrict latching to until the media endpoint is reached. The only exception could be when the endpoint's contact/IP is cached.

## Relationship to Symmetric Latching

The current forced HNT symmetric latching feature lets the Oracle® Enterprise Session Border Controller assume devices are behind NATs, regardless of their signaled IP/SIP/SDP layer addresses. The Oracle® Enterprise Session Border Controller latches on any received RTP destined for the specific IP address/port of the Oracle® Enterprise Session Border Controller for the call, and uses the latched source address/port for the reverse flow destination information.

If both restricted latching and symmetric latching are enabled, the Oracle® Enterprise Session Border Controller only latches if the source matches the restriction, and the reverse flow will only go to the address/port latched to, and thus the reverse flow will only go to an address of the same restriction.

- Symmetric latching is enabled.  
If symmetric latching is enabled, the Oracle® Enterprise Session Border Controller sends the media in the opposite direction to the same IP and port, after it latches to the source address of the media packet.
- Symmetric latching is disabled.  
If symmetric latching is disabled, the Oracle® Enterprise Session Border Controller only latches the incoming source. The destination of the media in the reverse direction is controlled by the SDP address.

### Example 1

A typical example is when the Oracle® Enterprise Session Border Controller performs HNT and non-HNT registration access for endpoints. Possibly the SDP might not be correct, specifically if the device is behind a NAT. Therefore the Oracle® Enterprise Session Border Controller needs to learn the address for which to restrict the media latching, based on the L3 IP address. If the endpoint is not behind a NAT, then the SDP could be used instead if preferred. However, one can make some assumptions that access-type cases will require registration caching, and the cached fixed contact (the public FW address) could be used instead of waiting for any SDP response.

### Example 2

Another example is when a VoIP service is provided using symmetric-latching. A B2BUA/proxy sits between HNT endpoints and the Oracle® Enterprise Session Border Controller, and calls do not appear to be behind NATs from the Oracle® Enterprise Session Border Controller's perspective. The Oracle® Enterprise Session Border Controller's primary role, other than securing softswitches and media gateways, is to provide symmetric latching so that HNT media will work from the endpoints.

To ensure the Oracle® Enterprise Session Border Controller's latching mechanism is restricted to the media from the endpoints when the SIP Via and Contact headers are the B2BUA/proxy addresses and not the endpoints', the endpoint's real (public) IP address in the SDP of the offer/answer is used. The B2BUA/proxy corrects the c= line of SDP to that of the endpoints' public FW address.

The Oracle® Enterprise Session Border Controller would then restrict the latching to the address in the SDP of the offer from the access realm (for inbound calls) or the SDP answer (for outbound calls).

## Restricted Latching Configuration

To configure restricted latching:

1. In Superuser mode, type **configure terminal** and press Enter.

```
ORACLE# configure terminal
```

2. Type **media-manager** and press Enter to access the media-level configuration elements.

```
ORACLE(configure)# media-manager  
ORACLE(media-manager)#
```

3. Type **realm-config** and press Enter. The system prompt changes to let you know that you can begin configuring individual parameters.

```
ORACLE(media-manager)# realm-config  
ORACLE(realm-config)#
```

4. Select the realm where you want to apply this feature.

```
ORACLE(realm-config)# select  
identifier:  
1: Acme_Realm <none>          0.0.0.0  
2: H323REALM <none>         0.0.0.0  
selection:1  
ORACLE(realm-config)#
```

5. **restricted-latching**— Enter the restricted latching mode. The default is **none**. The valid values are:
  - **none**—No restricted-latching used
  - **sdp**—Use the address provided in the SDP for latching
  - **peer-ip**—Use the layer 3 signaling address for latching
6. **restriction-mask**— Enter the number of address bits you want used for the source latched address. This field will be used only if the restricted-latching is used. The default is **32**. When this value is used, the complete IP address is matched for IPv4 addresses. The valid range is:
  - Minimum—1
  - Maximum—128

## Enhanced SIP Port Mapping

This section explains how to configure SIP port mapping feature to support:

- Anonymous requests from endpoints
- Cases where endpoints dynamically change transport protocols between UDP and TCP

## Anonymous Requests

If a SIP endpoint sends an INVITE message with a From header that is anonymous, the Oracle® Enterprise Session Border Controller can find the registration cache entry by using the Contact and Via headers. In cases such as instant messaging (IM), where there is no Contact header, the Oracle® Enterprise Session Border Controller can use the Via header.

The Oracle® Enterprise Session Border Controller's checks whether the `reg-via-key` option is configured for the access-side SIP interface where a REGISTER is received. If the option is enabled, the Oracle® Enterprise Session Border Controller makes the via-key by adding the IP address from the Via header to the firewall address (if there is a firewall present between the Oracle® Enterprise Session Border Controller and the endpoint).

When an INVITE arrives at a SIP interface where this option is enabled, the Oracle® Enterprise Session Border Controller determines whether the From header is anonymous or not. If it is anonymous, then the Oracle® Enterprise Session Border Controller uses the Via-key to find the registration entry.

## Anonymous SIP Requests Configuration

To enable support for anonymous SIP requests:

1. In Superuser mode, type **configure terminal** and press Enter.

```
ORACLE# configure terminal
```

2. Type **session-router** and press Enter.

```
ORACLE(configure)# session-router  
ORACLE(session-router)#
```

3. Type **sip-interface** and press Enter. The system prompt changes to let you know that you can begin configuring individual parameters.

```
ORACLE(session-router)# sip-interface  
ORACLE(sip-interface)#
```

4. Type **options +reg-via-key** and press Enter.

```
ORACLE(sip-interface)# options +reg-via-key
```

If you type **options reg-via-key** without the plus (+) sign, you will remove any previously configured options. In order to append the new option to the options list, you must prepend the new option with a plus sign as shown in the example above.

5. Save and activate your configuration.

## SIP Registration Via Proxy

The Oracle® Enterprise Session Border Controller supports a number of features that require it to cache registration information for UAs (endpoints) registering and

receiving requests through it. For those features to operate correctly, the Oracle® Enterprise Session Border Controller must act as the outbound proxy through which these endpoints register.

In order to support deployments where a proxy sits between the Oracle® Enterprise Session Border Controller and the endpoints, the Oracle® Enterprise Session Border Controller must consider the bottom Via header it receives from endpoints when constructing and matching cache registration entries. And when you use SIP port mapping, the system must use the bottom Via header as a way to determine the endpoint uniquely so that it can have a unique mapping port when the SIP interface is configured with the `reg-via-key=all` option.

Using the `reg-via-proxy` option, you can enable your Oracle® Enterprise Session Border Controller to support endpoints that register using an intervening proxy. You can set this option either for a realm or for a SIP interface. If you use it for a SIP interface, add to the SIP interface pointing toward the proxy and endpoints—the access side.

## Considerations for Reg-Via-Key and Port Mapping

When you set the **reg-via-proxy** option, the Oracle® Enterprise Session Border Controller includes the bottom Via header from received requests in the registration cache Via Key. The system also uses it for determining whether or not the request matches a registration cache entry. Each unique bottom Via received a unique mapping port when you turn SIP port mapping on and set the SIP interface with the **reg-via-key=all** option.

## Request Routing

So that requests addressed to the corresponding registered contact are routed to the proxy, the Oracle® Enterprise Session Border Controller includes the intervening proxy (i.e., the top Via) in the routing information for the registration cache when you set **reg-via-proxy**. To carry out this routing scheme, the system adds a Path header (if none is present) to the REGISTER. But it removes the Path header prior to sending the REGISTER to the registrar.

Note that when the received REGISTER contains a Path header, the Oracle® Enterprise Session Border Controller uses it for routing requests toward the endpoint and includes it in the forwarded REGISTER request—as is the case when you do not enable SIP registration via proxy.

## SIP Registration Via Proxy Configuration

To configure SIP registration via proxy:

1. In Superuser mode, type **configure terminal** and press Enter.

```
ORACLE# configure terminal
```

2. Type **session-router** and press Enter.

```
ORACLE(configure)# session-router  
ORACLE(session-router)#
```

3. Type **sip-interface** and press Enter. The system prompt changes to let you know that you can begin configuring individual parameters.

```
ORACLE(session-router)# sip-interface
ORACLE(sip-interface)#
```

4. Type **options +reg-via-proxy** and press Enter.

```
ORACLE(sip-interface)# options +reg-via-proxy
```

If you type **options reg-via-proxy** without the plus (+) sign, you will remove any previously configured options. In order to append the new option to the options list, you must prepend the new option with a plus sign as shown in the example above.

5. Save and activate your configuration.

## Dynamic Transport Protocol Change

The Oracle® Enterprise Session Border Controller also uses the IP address and port in the Contact and Via headers. This is useful for cases when endpoints dynamically change transport protocols (TCP/UDP), and the port number used for sending an INVITE might not be the same one used to send a Register message.

If you do not enable this feature, when an endpoint registered with the Oracle® Enterprise Session Border Controller used UDP for its transport protocol, a call fails if that endpoint subsequently initiates the call using TCP. The Oracle® Enterprise Session Border Controller checks for the Layer 3 IP address and port, and it rejects the call if the port is changed.

With the new option **reg-no-port-match** added to the SIP interface configuration, the Oracle® Enterprise Session Border Controller will not check the Layer 3 port in the INVITE and REGISTER messages.

## Dynamic Transport Protocol Change Configuration

To enable dynamic transport protocol change:

1. In Superuser mode, type **configure terminal** and press Enter.

```
ORACLE# configure terminal
```

2. Type **session-router** and press Enter.

```
ORACLE(configure)# session-router
ORACLE(session-router)#
```

3. Type **sip-interface** and press Enter. The system prompt changes to let you know that you can begin configuring individual parameters.

```
ORACLE(session-router)# sip-interface
ORACLE(sip-interface)#
```

4. Type **options +reg-no-port-match** and press Enter.

```
ORACLE(sip-interface)# options +reg-no-port-match
```

**If you type options reg-no-port-match without the plus (+) sign, you will remove any previously configured options. In order to append the new option to the options list, you must prepend the new option with a plus sign as shown in the example above.**

5. Save and activate your configuration.

## SIP Privacy Extensions

This section explains how you can configure privacy services to be applied only when the source is trusted and the destination is considered untrusted. (Prior to this release, the Oracle® Enterprise Session Border Controller always applied the privacy services, unless the source and the destination were both trusted.)

The Oracle® Enterprise Session Border Controller considers all user endpoints and nodes outside the core as untrusted.

The Oracle® Enterprise Session Border Controller acts as the boundary device between the trusted platform and the untrusted Internet, to implement privacy requirements. When it receives a message, the Oracle® Enterprise Session Border Controller checks whether the source is trusted. It evaluates the level of privacy requested in a Privacy header, if present.

Depending on whether the source is trusted or untrusted, the Oracle® Enterprise Session Border Controller can do different things when passing the message to the outgoing side. It also checks whether the destination is trusted.

## Privacy Types Supported

The Oracle® Enterprise Session Border Controller supports the following Privacy types:

- **user:** user-level privacy function provided. Any non-essential informational headers are removed, including the Subject, Call-Info, Organization, User-Agent, Reply-To, and In-Reply-To. Possibly the original value of the From header is changed to anonymous.
- **header:** headers that cannot be set arbitrarily by the user (Contact/Via) are modified. No unnecessary headers that might reveal personal information about the originator of the request are added. (The values modified must be recoverable when further messages in the dialog need to be routed to the originator.)
- **id:** third-party asserted identity kept private with respect to SIP entities outside the trust domain with which the user authenticated.

The following SIP headers can directly or indirectly reveal identity information about the originator of a message: From, Contact, Reply-To, Via, Call-Info, User-Agent, Organization, Server, Subject, Call-ID, In-Reply-To and Warning.

## user

The Oracle® Enterprise Session Border Controller supports the Privacy type user. It can remove non-essential information headers that reveal user information by:

- Setting the SIP From header and display information to anonymous
- Removing the Privacy header
- Removing Proxy-Require option tag = privacy (if present)
- Removing the following headers:
  - Subject
  - Call-Info
  - Organization
  - User-Agent
  - Reply-To
  - In-Reply-To

## header

The Oracle® Enterprise Session Border Controller also supports the Privacy type header. It modifies SIP headers that might reveal the user identity by:

- Stripping the Via header
- Replacing the Contact header
- Stripping Record-Route
- Removing the Privacy header
- Removing Proxy-Require option tag = privacy (if present)

In general, the B2BUA behavior of the Oracle® Enterprise Session Border Controller by default provides header privacy for all sessions.

## id

The Oracle® Enterprise Session Border Controller also supports the Privacy type id. It keeps the Network Asserted Identity private from SIP entities outside the trusted domain by:

- Stripping only P-Asserted-Identity
- Removing the Privacy header and Proxy-Require option-tag = privacy
- Setting the From header to anonymous (for the backward compatibility)

## Examples

The following examples show the actions the Oracle® Enterprise Session Border Controller performs depending on the source and target of the calls.

## Calls from Untrusted Source to Trusted Target

When calls are from an untrusted source to a trusted target and PPI is included in the INVITE sent to IP border elements, the Oracle® Enterprise Session Border Controller maps the PPI information to PAI in the outgoing INVITE to the trusted side (even if the Privacy header is set to id or to none). The Privacy and From headers get passed on unchanged.

IP border elements must pass PAI (if received in the ingress INVITE) and the From and Privacy headers to the egress side just as they were received on the ingress side.

The Oracle® Enterprise Session Border Controller maps the PPI to PAI by default, if the outgoing side is trusted. To change this behavior, you need to configure the `disable-ppi-to-pai` option.

## Calls from Trusted to Untrusted

When calls are from a trusted source to an untrusted target, and the Privacy header is set to id, the Oracle® Enterprise Session Border Controller strips PAI, makes the From header anonymous, and strips the Privacy header.

If the Privacy header is set to none, the Oracle® Enterprise Session Border Controller does not change the From header and passes on the Privacy header, if there is one.

## Calls from Trusted to Trusted

When calls are going from trusted source to trusted target acting as a peer network border element and PPI is included, the Oracle® Enterprise Session Border Controller maps PPI to PAI. The Privacy header remains the same as signaled and the Oracle® Enterprise Session Border Controller passes the From header and the PAI without changes.

## Configuring SIP Privacy Extensions

Prior to this release the session agent's trust mode provided this functionality. Now you configure SIP interface's trust-mode as none, which means nothing is trusted for this SIP interface.

You also configure the `disable-ppi-to-pai` parameter to disable the changing of the P-Preferred header to the P-Asserted-Identity header, if the outgoing side is trusted.

## Trust Mode

To configure the trust mode:

1. In Superuser mode, type **configure terminal** and press Enter.

```
ORACLE# configure terminal
```

2. Type **session-router** and press Enter to access the system-level configuration elements.

```
ORACLE(configure)# session-router
```



3. Type **sip-interface** and press Enter. The system prompt changes to let you know that you can begin configuring individual parameters.

```
ORACLE(session-router)# sip-interface
ORACLE(sip-interface)#
```

From this point, you can configure SIP interface parameters. To view all sip-interface parameters, enter a ? at the system prompt.

4. If configuring an existing interface, enter the select command to select the interface.
5. **trust-mode**—Select the trust mode for this SIP interface. The default value is **all**. The valid values are:
  - **all**—Trust all previous and next hops except untrusted session agents
  - **agents-only**—Trust only trusted session agents
  - **realm-prefix**—Trusted only trusted session agents or address matching realm prefix
  - **registered**—Trust only trusted session agents or registered endpoints
  - **none**—Trust nothing
6. Save and activate your configuration.

The following example shows the trust-mode set to none. The remaining SIP interface options are omitted for brevity.

```
sip-interface
    state                enabled
    realm-id             access1
    sip-port
        address          192.168.1.30
        port              5060
        transport-protocol UDP
        allow-anonymous  all
    carriers
    proxy-mode           Proxy
    redirect-action
    contact-mode         maddr
    nat-traversal        none
    nat-interval         30
    registration-caching disabled
    min-reg-expire       300
    registration-interval 3600
    route-to-registrar   disabled
    teluri-scheme        disabled
    uri-fqdn-domain
    options
    trust-mode           none
```

## Disabling the PPI to PAI Change

To disable the changing of PPI to PAI:

1. In Superuser mode, type **configure terminal** and press Enter.

```
ORACLE# configure terminal
```

2. Type **session-router** and press Enter to access the system-level configuration elements.

```
ORACLE(configure)# session-router
```

3. Type **sip-config** and press Enter. The system prompt changes.

```
ORACLE(session-router)# sip-config  
ORACLE(sip-config)#
```

From this point, you can configure SIP configuration parameters. To view all sip-config parameters, enter a **?** at the system prompt.

4. If configuring an existing SIP configuration, enter the select command to select it.
5. **options**—Enter **disable-ppi-to-pai**. If adding to an existing list of options, use a preceding plus (+) sign.

```
options +disable-ppi-to-pai
```

6. Save and activate your configuration.

## SIP Registration Cache Limiting

Using SIP registration cache limiting for SIP endpoint access deployments, you can restrict the size of the SIP registration cache for the global SIP configuration.

You can implement this feature if you have been seeing issues where, either due to network failure scenarios or incorrect sizing of system capabilities, the Oracle® Enterprise Session Border Controller and/or the SIP registrar cannot support the number of registering endpoints. Although the Oracle® Enterprise Session Border Controller protects itself and the registrar against SIP REGISTER floods, conditions can still occur where too many legitimate endpoints attempt to register with the registrar via the Oracle® Enterprise Session Border Controller.

By enabling SIP registration cache limiting, you restrict the number of legitimate endpoints that can register. The Oracle® Enterprise Session Border Controller rejects any endpoints beyond the limit you set. If you do not want to use this feature, simply leave the reg-cache-limit parameter set to its default of 0, meaning there is no limit to the entries in the SIP registration cache.

When you limit the number of registered endpoints allowed in the Oracle® Enterprise Session Border Controller's registration cache, the Oracle® Enterprise Session Border Controller analyzes each registration before starting to process it. First, the Oracle® Enterprise Session Border Controller checks the contact header to determine if it is already in the list of contacts for the user. If it finds the contact in its cache list, the Oracle® Enterprise Session Border Controller treats the registration as a refresh; it treats any other headers as new. Note that the Oracle® Enterprise Session Border Controller checks the message prior to making any changes to the cache because it must either accept or reject the message as a whole.

The Oracle® Enterprise Session Border Controller adds the number of new contacts to the number already present in the cache, and rejects any registration with a contact that would cause it to exceed its limit. Rejection causes the Oracle® Enterprise Session Border Controller to send a response communicating that its registration cache is full. The default response is the 503 Registration DB-Full message, but you can use the SIP response mapping feature to use another message if required.

You can set an option in the global SIP configuration that defines the value in the Retry-After header. The Oracle® Enterprise Session Border Controller sends this header as part of its rejection response when the registration cache is full. Another option sets the percentage of the registration cache size which, if exceeded, causes the Oracle® Enterprise Session Border Controller to send an alarm.

## About Registration Cache Additions Modifications and Removals

When it receives a REGISTER message with new contact information for a user, the Oracle® Enterprise Session Border Controller considers it an addition to the cache and augments the number of registration cache entries. Then the Oracle® Enterprise Session Border Controller forwards the message to the registrar, and—when and only when the registrar returns both the original and new contacts in the 200 OK—the registration cache count stays the same. However, if the registrar returns only the new contact (making this a case of modification), then the Oracle® Enterprise Session Border Controller removes the old contact information and subtracts accordingly from the number of registration cache entries.

Thus the Oracle® Enterprise Session Border Controller does not know whether a REGISTER might result in an addition or a modification until it receives a response from the registrar. For this reason, the Oracle® Enterprise Session Border Controller first assumes it is to make an addition, and then updates the registration cache and count when it has the necessary information from the registrar.

The registration cache count does not reflect removals during the rejection check because the Oracle® Enterprise Session Border Controller ignores registration messages or expires headers with their expires values set to zero when it counts new entries. The fact that removals take place after additions and modifications means that messages which remove one contact while adding another might be rejected. That is, the addition might exceed the registration cache limit before any removal can take place to make room for it.

## Registration Cache Alarm Threshold

A percentage of the registration cache limit, the registration cache alarm threshold is a configurable value you can set to trigger an alarm when the registration cache is reaching its limit. When exceeded, this threshold triggers the generation of an alarm and SNMP trap. When registrations fall back beneath the threshold, the Oracle® Enterprise Session Border Controller clears the alarm and sends a clear trap.

This alarm is Major in severity, and its text reads as follows:

```
Number of contacts <registration count> has exceeded the registration  
cache threshold <threshold %> of <registration cache limit value>.
```

## Notes on Surrogate Registration

The Oracle® Enterprise Session Border Controller does not, under any circumstances, reject surrogate registrations on the basis of the registration cache limit. However, surrogate registrations generate contacts, and so they do add to the global registration count. In the case where the surrogate registrations add to the registration count to the extent the count exceeds the limit you configure, you will have more registrations in the cache than the configured limit.

## Monitoring Information

You can monitor how many entries are in the SIP registration cache using the ACLI **show registration** command and referring to the Local Contacts statistics.

## SIP Registration Cache Limiting Configuration

This section shows you how to configure the registration cache limit, and how to set the options controlling retry times and thresholds for alarm purposes.

To configure SIP registration cache limiting:

1. In Superuser mode, type **configure terminal** and press Enter.

```
ORACLE# configure terminal
ORACLE(configure)#
```

2. Type **session-router** and press Enter.

```
ORACLE(configure)# session-router
ORACLE(session-router)#
```

3. Type **sip-config** and press Enter.

```
ORACLE(session-router)# sip-config
ORACLE(sip-config)#
```

If you are adding this feature to an existing configuration, you need to select the configuration (using the ACLI **select** command) before making your changes.

4. **registration-cache-limit**—Set the registration cache limit, or the maximum number of SIP registrations that you want to keep in the registration cache. The minimum and default value for this parameter is 0, and you can set it to a maximum value of 999999999. Leaving this parameter set to 0 means there is no limit on the registration cache (and therefore leaves this feature disabled).
5. **options**—Set the options parameter by typing options, a Space, the option name **reg-cache-lim-retry-after=X** (where X is the value added to the Retry-After header) with a plus sign in front of it. This option defaults to 1800, and you can enter values from 0 to 999999999.

You can configure the alarm threshold option the same way, substituting the option name **reg-cache-alarm-thresh=X** (where X is the percentage of registration

cache limit that triggers an alarm). This option defaults to 95, and you can enter value from 0 to 100.

```
ORACLE(sip-config)# options +reg-cache-lim-retry-after=2500
ORACLE(sip-config)# options +reg-cache-alarm-thresh=90
```

If you type options and then the option value for either of these entries without the plus sign, you will overwrite any previously configured options. In order to append the new options to this configuration's options list, you must prepend the new option with a plus sign as shown in the previous example.

6. Save and activate your configuration.

## SIP Registration Overload Protection

You can configure your Oracle® Enterprise Session Border Controller for SIP Registration overload protection, which augments the Oracle® Enterprise Session Border Controller's protection methods. Working with the Oracle® Enterprise Session Border Controller's access control and registration caching functions, this new feature guards against benign avalanche restarts. The avalanche is caused by events where many endpoints lose power or connectivity at once, are restored to service, and then flood the Oracle® Enterprise Session Border Controller as they attempt to register again.

Normally, the Oracle® Enterprise Session Border Controller handles SIP registration by creating a temporary registration cache for the endpoint's address of record (AoR) and forwards the REGISTER request to the registrar. To challenge the endpoint's registration, the registrar sends back either a 401 Unauthorized or 407 Proxy Authorization Required response. When it receives the 401 or 407, the Oracle® Enterprise Session Border Controller saves the challenge context in anticipation of receiving a second REGISTER with the endpoint's authentication credentials. The Oracle® Enterprise Session Border Controller forwards the second REGISTER (with authentication credentials) to the registrar, and then the registrar confirms registration with a 200 OK. Both REGISTER requests are subject to the system's access control rules, set either for the ingress realm or the ingress session agent. The Oracle® Enterprise Session Border Controller also honors the maximum registration sustain rate constraint for session agents; this applies when the incoming REGISTER is from a session agent and the outgoing REGISTER is sent to a session agent.

When you enable SIP Registration overload protection, the Oracle® Enterprise Session Border Controller temporarily promotes the endpoint to the trusted level when it receives the 401 or 407 response (to the first REGISTER) from the registrar. This ensures that the second REGISTER (containing authentication credentials) can reach the Oracle® Enterprise Session Border Controller. Temporary promotion lasts only for the amount of time remaining before the REGISTER server transaction expires plus the time allotted in the transaction expiration parameter in the SIP configuration. Before the temporary promotion expires, there is enough time for any necessary retransmissions of the first REGISTER and for the second REGISTER to take place. The following situations might also occur:

- If the Oracle® Enterprise Session Border Controller receives a 401 or 407 to the second REGISTER request, it resets its access control level for the endpoint's address to the default level; it then treats additional REGISTER requests from the same context at the default access control level.

- If the Oracle® Enterprise Session Border Controller receives a 200 OK response to the REGISTER message, it extends the promotion time to the expiration period for the registration cache.

If the Oracle® Enterprise Session Border Controller is able to find the temporary registration cache and the saved challenge context when the second REGISTER arrives, it forwards the REGISTER without checking the maximum registration sustain rate constraint for ingress and egress session agents—thereby ensuring that the REGISTER with authentication credentials is sent to the registrar. So when you use this feature, you should set the maximum registration sustain rate constraint of the session agent (representing the registrar) at half the registrar's maximum registration sustain rate. Additional REGISTER requests with the same challenge context are subject to the maximum registration sustain rate constraint.

## SIP Registration Overload Protection Configuration

When you configure this feature, be sure to set the **reg-overload-protect** option in your global SIP configuration:

To enable SIP Registration overload protection on your Oracle® Enterprise Session Border Controller:

1. In Superuser mode, type **configure terminal** and press Enter.

```
ORACLE# configure terminal
```

2. Type **session-router** and press Enter to access the signaling-level configuration elements.

```
ORACLE(configure)# session-router  
ORACLE(session-router)#
```

3. Type **sip-config** and press Enter. The system prompt changes to let you know that you can begin configuring individual parameters.

```
ORACLE(session-router)# sip-config  
ORACLE(sip-config)#
```

4. **options**—Set the options parameter by typing **options**, a Space, the option name preceded by a plus sign (+) (**reg-overload-protect**), and then press Enter.

```
ORACLE(sip-config)# options +reg-overload-protect
```

**If you type either of these options without the plus (+) sign, you will remove any previously configured options. In order to append the new option to the options list, you must prepend the new option with a plus sign as shown in the example above.**

 **Note:**

Note that the sip-config option "cache-challenges" (enabled by default) must not have been disabled for SIP Registration Overload Protection to work properly. If you have disabled cache-challenges, re-evaluate the reason you disabled it. If registration overload protection supersedes your reason for disabling cache-challenges, re-enable the option as shown below.

```
ACMEPACKET(sip-config)# options +cache-challenges=yes
```

Note that the configuration syntax above is equivalent to the following, which uses the "-" character to remove the option.

```
ACMEPACKET(sip-config)# options -cache-challenges
```

5. Save and activate your configuration.

## SIP Request Method Throttling

You can configure throttling mechanisms for SIP INVITEs and REGISTERs using session agent constraints. However, you might want to throttle other types of SIP methods, and for those methods you should use the rate constraints configuration available both in the session constraints (which you then apply to a SIP interface or a realm) and the session agent configurations.

Oracle recommends you use session agent constraints for session-rate INVITE throttling and registration-rate for REGISTER throttling.

For SIP access deployments, you can configure rate constraints for individual method types along with a set of burst and sustain rates. These constraints can help to avoid overloading the core network. In addition, they restrain the load non-INVITE messages use, thus reserving capacity for INVITE-based sessions and Registrations

When you configure SIP request method throttling, you must exercise care because it is possible to reject in-dialog requests. Therefore, Oracle recommends you do NOT configure constraints—although the configuration allows you to and will not produce error messages or warnings if you set them—for the following SIP method types:

- ACK
- PRACK
- BYE
- INFO
- REFER

However, the Oracle® Enterprise Session Border Controller is likely to throttle NOTIFY requests despite their being part of a Subscribe dialog.

Therefore, the methods you will most likely configure for throttling are:

- NOTIFY

- OPTIONS
- MESSAGE
- PUBLISH
- REGISTER

The Oracle® Enterprise Session Border Controller counts Re-INVITEs and challenged responses against the throttle limit, but does not check to determine if the constraints have been exceeded for either.

You can configure separate constraints—inbound and outbound values for burst and sustain rates—for each different method type you configure. Although you should use session agent constraints (and not rate constraints) for INVITEs, if you also set up rate constraints for INVITEs, then the smallest configured value takes precedence.

## About Counters and Statistics

Each rate constraint you configure for a SIP method tracks its own counters. For example, if you configure a rate constraint for the PUBLISH method, the burst and sustain rates you set for it apply only to the PUBLISH method and not to any other methods for which you might set up rate constraints. You can, however, set the burst rate window in the session constraints configuration that will apply to all methods configured as rate constraints.

The Oracle® Enterprise Session Border Controller captures statistics for SIP methods throttled by rate constraints for SIP interfaces and session agents; it does not capture these statistics for the global SIP configuration.

## SIP Request Method Throttling Configuration

This section shows you how to set up rate constraints for session constraints (which are then applied to SIP interfaces) and session agents.

To use this feature, you must enable the **extra-method-stats** parameter in the global SIP configuration.

To set the **extra-method-stats** parameter in the global SIP configuration:

1. In Superuser mode, type **configure terminal** and press Enter.

```
ORACLE# configure terminal  
ORACLE(configure)#
```

2. Type **session-router** and press Enter.

```
ORACLE(configure)# session-router  
ORACLE(session-router)#
```

3. Type **sip-config** and press Enter.

```
ORACLE(session-router)# sip-config  
ORACLE(sip-config)#
```

If you are adding this feature to an existing configuration, you need to select the configuration (using the ACLI **select** command) before making your changes.



4. **extra-method-stats**—Set this parameter to **enabled**.
5. Save and activate your configuration.

## Rate Constraints for SIP Interfaces

To apply rate constraints to SIP interfaces, you need to configure rate constraints in the session constraints configuration and then apply the session constraints to the SIP interface where you want them used.

Note that you need to set up the parent **session-constraint** configuration to save any rate constraints you configure.

To configure rate constraints:

1. In Superuser mode, type **configure terminal** and press Enter.

```
ORACLE# configure terminal  
ORACLE(configure)#
```

2. Type **session-router** and press Enter.

```
ORACLE(configure)# session-router  
ORACLE(session-router)#
```

3. Type **session-constraints** and press Enter.

```
ORACLE(session-router)# session-constraints  
ORACLE(session-constraints)#
```

If you are adding rate constraints to an existing configuration, then you will need to select the configuration you want to edit.

4. Type **rate-constraints** and press Enter.

```
ORACLE(session-constraints)# rate-constraints  
ORACLE(rate-constraints)#
```

5. **method**—Enter the SIP method name for the method you want to throttle. Although the parameter accepts other values, your entries should come only from the following list for the feature to function properly:
  - NOTIFY
  - OPTIONS
  - MESSAGE
  - PUBLISH
  - REGISTER
6. **max-inbound-burst-rate**—For the SIP method you set in the methods parameter, enter the number to restrict the inbound burst rate on the SIP interface where you apply these constraints. The default and minimum value is 0, and the maximum is 999999999.
7. **max-outbound-burst-rate**—For the SIP method you set in the methods parameter, enter the number to restrict the outbound burst rate on the SIP

interface where you apply these constraints. The default and minimum value is 0, and the maximum is 999999999.

8. **max-inbound-sustain-rate**—For the SIP method you set in the `methods` parameter, enter the number to restrict the inbound sustain rate on the SIP interface where you apply these constraints. The default and minimum value is 0, and the maximum is 999999999.
9. **max-outbound-sustain-rate**—For the SIP method you set in the `methods` parameter, enter the number to restrict the outbound sustain rate on the SIP interface where you apply these constraints. The default and minimum value is 0, and the maximum is 999999999.
10. Save your changes and apply this session constraint and its rate constraint(s) to SIP interfaces.

## Applying Session and Rate Constraints to a SIP Interface

You need the name of the session constraints configuration to apply the restrictions you set up to a SIP interface.

To apply session and rate constraints to a SIP interface:

1. In Superuser mode, type **configure terminal** and press Enter.

```
ORACLE# configure terminal
ORACLE(configure)#
```

2. Type **session-router** and press Enter.

```
ORACLE(configure)# session-router
ORACLE(session-router)#
```

3. Type **sip-interface** and press Enter.

```
ORACLE(session-router)# sip-interface
ORACLE(sip-interface)#
```

If you are adding this feature to an existing configuration, then you will need to select the configuration you want to edit.

4. **constraint-name**—Enter the name of the session constraint configuration where you have set up rate constraints to apply them to this SIP interface. This parameter has no default, and must be the valid name of a session constraint configuration.
5. Save and activate your configuration.

## Configuring Rate Constraints for Session Agents

You can also use this feature for individual SIP session agents.

To configure rate constraints for a SIP session agent:

1. In Superuser mode, type **configure terminal** and press Enter.

```
ORACLE# configure terminal  
ORACLE(configure)#
```

2. Type **session-router** and press Enter.

```
ORACLE(configure)# session-router  
ORACLE(session-router)#
```

3. Type **session-agent** and press Enter.

```
ORACLE(session-router)# session-agent  
ORACLE(session-agent)#
```

If you are adding rate constraints to an existing configuration, then you will need to select the configuration you want to edit.

4. Type **rate-constraints** and press Enter.

```
ORACLE(session-agent)# rate-constraints  
ORACLE(rate-constraints)#
```

5. **method**—Enter the SIP method name for the method you want to throttle. Your entries should come only from the following list:

- NOTIFY
- OPTIONS
- MESSAGE
- PUBLISH
- REGISTER

6. **max-inbound-burst-rate**—For the SIP method you set in the methods parameter, enter the number to restrict the inbound burst rate on the SIP interface where you apply these constraints. The default and minimum value is 0, and the maximum is 999999999.

7. **max-outbound-burst-rate**—For the SIP method you set in the methods parameter, enter the number to restrict the outbound burst rate on the SIP interface where you apply these constraints. The default and minimum value is 0, and the maximum is 999999999.

8. **max-inbound-sustain-rate**—For the SIP method you set in the methods parameter, enter the number to restrict the inbound sustain rate on the SIP interface where you apply these constraints. The default and minimum value is 0, and the maximum is 999999999.

9. **max-outbound-sustain-rate**—For the SIP method you set in the methods parameter, enter the number to restrict the outbound sustain rate on the SIP interface where you apply these constraints. The default and minimum value is 0, and the maximum is 999999999.

10. Save and activate your configuration.

## SIP Delayed Media Update

The Oracle® Enterprise Session Border Controller supports SIP delayed media update. When enabled, this feature keeps the Oracle® Enterprise Session Border Controller from updating its media flow information for flows established after an offer-answer exchange. The Oracle® Enterprise Session Border Controller does not update the flow information until a new offer and answer arrive for a specific set of media flows.

The (subsequent) offer does not have to be for the same session; rather, it can appear as a new SIP INVITE that uses the same SDP.

## Delayed Media Update Disabled

When this feature is disabled (which is the default behavior), the Oracle® Enterprise Session Border Controller updates media flow entries in its CAM based on signaled SDP when it processes the SDP. If it processes an SDP offer, Oracle® Enterprise Session Border Controller allocates steering port resources; the Oracle® Enterprise Session Border Controller updates any missing elements for the flow when the answer is returned.

In cases when a secondary offer arrives (either a reINVITE, an UPDATE, or the original INVITE is hairpinned back through the Oracle® Enterprise Session Border Controller), the Oracle® Enterprise Session Border Controller updates the following media flow information at the time of the offer

- Destination IP address
- Destination port
- Realm for the media flows
- Media release settings

This behavior affects specific applications that are better served by the Oracle® Enterprise Session Border Controller waiting to update media flow information until it receives the answer to the second offer.

## Delayed Media Update Enabled

When you enable the SIP delayed media update feature, the Oracle® Enterprise Session Border Controller:

- Delays changing the active media flow CAM entry for a new offer if a previous offer and answer have been received for the same media flows; it encodes new SDP information in an outgoing offer, but does not change the CAM entry until the answer is received
- Delays changing the active media flow CAM entry even when the new offer is for a new session
- Supports media release when performing delayed media update changes
- Offers per-realm configuration

This section describes how the delayed media update feature works for hairpinned call flows and for an SDP offer arriving for installed flows.

- **Hairpinned call flows**—In this type of call flow, the application server (AS) sends an INVITE back to the Oracle® Enterprise Session Border Controller and that INVITE needs to be forwarded to another user (user B). When it receives the offer in this INVITE and delayed media update is disabled, the Oracle® Enterprise Session Border Controller determines that the call is hairpinned and deletes the CAM entry for the flow for user A, who has sent the initial INVITE. The Oracle® Enterprise Session Border Controller deletes the CAM entry for the flow from the AS to user A.  
With delayed media update enabled, the CAM entry for the flow from the AS to user A is not deleted. Instead, the Oracle® Enterprise Session Border Controller waits until it has an answer from user B, and then performs the necessary updates and deletions.
- **SDP offer for installed media flows**—With delayed media update enabled, if it has received an offer and answer and a new offer arrives for the same flow, the Oracle® Enterprise Session Border Controller delays updating the CAM entries until an answer is received for the new offer.

## SIP Delayed Media Update Configuration

You enable this feature on a per-realm basis by setting one parameter.

To enable SIP delayed media update:

1. In Superuser mode, type **configure terminal** and press Enter.

```
ORACLE# configure terminal
```

2. Type **media-manager** and press Enter to access the signaling-related configurations.

```
ORACLE(configure)# media-manager
```

3. Type **realm-config** and press Enter.

```
ORACLE(media-manager)# realm-config
```

If you are adding support for this feature to a pre-existing realm, then you must select (using the ACLI **select** command) the realm that you want to edit.

4. **delay-media-update**—Enable keeping the Oracle® Enterprise Session Border Controller from updating its media flow information for flows established after an offer/answer exchange. The default is **disabled**. The valid values are:
  - enabled | disabled
5. Save and activate your configuration.

## Expedited Call Leg Release for Preempted Hairpin Calls

When hairpinned calls are ended because of signaling failures (such as a SIP mid-dialog signaling timeout, or an H.323 TCP keepalive failure) on one call leg, the Oracle® Enterprise Session Border Controller deletes both legs' media flows simultaneously by default. In addition, when the first hairpinned call leg is torn down, the second call leg is gracefully released immediately by the Oracle® Enterprise

Session Border Controller creating and sending an appropriate signaling message (e.g., BYE for a SIP call or ReleaseComplete for an H.323 call) to the endpoint.

You can override this behavior by configuring the **dont-terminate-assoc-legs** option in the media manager. When configured, the orphaned call leg in the hairpin scenario will be torn down after the **initial guard timer expires**. The disconnect times of the two call legs, as recorded by the accounting application, will be significantly different, due to the initial guard time for the second call leg.

## Accounting Considerations

To indicate cases like this, where the second leg of the hairpinned call was preempted, Oracle® Enterprise Session Border Controller includes the following combination of release/termination causes in the CDR:

```
VSA 49: Acct-Terminate-Cause = NAS_REQUEST
VSA 62: Acme-Disconnect-Cause = 8
```

## SIPconnect

The Oracle® Enterprise Session Border Controller supports the SIPconnect model, wherein PBXs register themselves so that service providers do not need to know IP addresses or locations in advance for static configurations. This is particularly helpful when the PBX is behind a NAT.

In the PBX registration process, the PBX creates a binding between one of its phone numbers as the address of record (AoR) and Contact-URI in the REGISTER message. The registrar knows that the single AoR actually represents many addresses, and so it registers them implicitly. However, the registrar does not return the implicit AoR number in P-Associated-URIs.

The SIPconnect feature resolves the following issues that arise from using this model:

- SIP INVITEs sent to the PBX from the Registrar through the Oracle® Enterprise Session Border Controller have the Request-URI of registered contact. Because it typically ignores the To-URI, the PBX needs the Request-URI username portion to be the specific extension number being called.  
With the SIP connect feature enabled, the Oracle® Enterprise Session Border Controller overwrites the Request-URI username with the To-URI username.
- SIP INVITEs from the PBX have the From AoR and Contact-URI usernames of specific phones rather than of the registered AoR and Contact-URI. For the Oracle® Enterprise Session Border Controller, this means that it cannot use the **allow-anonymous** parameter value of register; there would be no registered user matches, and the Oracle® Enterprise Session Border Controller would reject them (with a 403 Forbidden).  
With the SIP connect feature enabled, the Oracle® Enterprise Session Border Controller performs allow-anonymous checking based on the registered Via address, which is the same for all requests for the same PBX.

## Modifications to Registration Caching Behavior

With the SIP connect feature enabled, Oracle® Enterprise Session Border Controller registration caching works the same way that it does with the feature disabled, with the following exceptions:

The Oracle® Enterprise Session Border Controller determines whether the destination realm has the sip-connect-pbx-reg option configured, and then:

- If it is configured, the Oracle® Enterprise Session Border Controller replaces the user part of the Request-URI with the user part of the To header. When the INVITE contains a P-Called-Party-ID header, the Oracle® Enterprise Session Border Controller uses the user part of the P-Called-Party-ID header (instead of the To header).
- If it is not configured, the Oracle® Enterprise Session Border Controller determines if the destination address is for a session agent and whether that session agent has sip-connect-pbx-reg option configured. When it is configured, the Oracle® Enterprise Session Border Controller performs the same replacements described in the bullet directly above. When it is not configured, the Oracle® Enterprise Session Border Controller does not make any replacements.

When it receives an INVITE request, the Oracle® Enterprise Session Border Controller checks the incoming realm for the sip-connect-pbx-reg option.

- If it is configured, the Oracle® Enterprise Session Border Controller uses the INVITE's source address (instead of the AoR and Contact-URI) to search the registration cache for a matched registration entry.
- If it is not configured, the Oracle® Enterprise Session Border Controller determines if the INVITE's source address is for a session agent and whether that session agent has sip-connect-pbx-reg option configured. When it is configured, the Oracle® Enterprise Session Border Controller replaces the user part of the Request-URI with the user part of the To header. When the INVITE contains a P-Called-Party-ID header, the Oracle® Enterprise Session Border Controller uses the user part of the P-Called-Party-ID header (instead of the To header).

When it is not configured, the Oracle® Enterprise Session Border Controller does not make any replacements.

## Configuring SIP Connect Support

You configure this feature by adding the sip-connect-pbx-reg option to the realm configuration. In addition, though this feature requires that your configuration also be set up as outlined in this section. The first two items are required, and Acme Packet recommends that you also implement the suggested additional configuration.

### Required Configuration

- Registration caching is enabled.
- For the realm from which registrations come, the options list must include sip-connect-pbx-reg; this is new configuration introduced to support this feature. The presence of this option instructs the Oracle® Enterprise Session Border Controller to skip matching the Contact header in the INVITE request with the registered Contact of the registration entry. The Oracle® Enterprise Session Border Controller finds a registration using only the INVITE's source address. Alternatively, you can configure the sip-connect-pbx-reg option in the options list for a session agent. When the realm where an INVITE comes from does not have this option set, the Oracle® Enterprise Session Border Controller determines whether or not the INVITE came from a session agent. You might choose to configure session agents with this option if you do not want it applied to an entire

realm. If the PBX is behind a NAT device, the session agent's IP address for the PBX (if statically configured) must be the IP address of the NAT device. And if DNS is used, the session agent's hostname must resolve to the NAT device's IP address.

## Suggested Additional Configuration

- In the SIP ports configuration (accessed through the SIP interface configuration), the **allow-anonymous** parameter must be set to registered. This setting allows the Oracle® Enterprise Session Border Controller to accept SIP requests from session agents and registered endpoints only, but to accept REGISTER requests from any endpoint.
- For the SIP interface that accepts registrations, the **options** parameter must be set to reg-via-key. This setting allows the Oracle® Enterprise Session Border Controller to use the source address of an INVITE as the key to find a registration entry in the registration cache. When the INVITE's Contact header matches the registered Contact in the registration entry, the Oracle® Enterprise Session Border Controller accepts the INVITE request.

## SIP Connect Configuration

To set the SIP connect option for a realm configuration:

1. In Superuser mode, type **configure terminal** and press Enter.

```
ORACLE# configure terminal
```

2. Type **media-manager** and press Enter to access the signaling-related configurations.

```
ORACLE(configure)# media-manager
```

3. Type **realm-config** and press Enter.

```
ORACLE(media-manager)# realm-config
```

If you are adding support for this feature to a pre-existing realm, then you must select (using the ACLI **select** command) the realm that you want to edit.

4. **options**—Set the options parameter by typing **options**, a Space, the option name **sip-connect-pbx-reg** with a plus sign in front of it, and then press Enter.

```
ORACLE(realm-config)# options +sip-connect-pbx-reg
```

**If you type the option without the plus sign, you will overwrite any previously configured options. In order to append the new options to the realm configuration's options list, you must prepend the new option with a plus sign as shown in the previous example.**

5. Save and activate your configuration.

To set the SIP connect option for a SIP session agent configuration:



6. In Superuser mode, type **configure terminal** and press Enter.

```
Oracle® Enterprise Session Border Controller# configure terminal
```

7. Type **session-router** and press Enter to access the signaling-related configurations.

```
Oracle® Enterprise Session Border Controller(configure)# session-router
```

8. Type **session-agent** and press Enter.

```
ORACLE(session-router)# session-agent
```

If you are adding support for this feature to a pre-existing session agent, then you must select (using the ACLI **select** command) the session agent that you want to edit.

9. **options**—Set the options parameter by typing **options**, a Space, the option name **sip-connect-pbx-reg** with a plus sign in front of it, and then press Enter.

```
Oracle® Enterprise Session Border Controller(session-agent)#  
options +sip-connect-pbx-reg
```

**If you type the option without the plus sign, you will overwrite any previously configured options. In order to append the new options to the session agent's configuration's options list, you must prepend the new option with a plus sign as shown in the previous example.**

10. Save and activate your configuration.

## SIP Registration Event Package Support

Certain endpoints subscribe to the Registration Event Package, RFC 3680, which defines how SIP user agents can request and obtain notifications about registration events. Previously, the Oracle® Enterprise Session Border Controller passed the Subscribe and Notify messages of this package transparently, without modifying the XML bodies of either. However, in many cases the XML body can contain IP addresses, contact URIs, and expires times that the Oracle® Enterprise Session Border Controller needs to modify for proper operation. This new feature enables the Oracle® Enterprise Session Border Controller to modify correctly the XML body for the Registration Event Package.

In addition to resolving this type of issue, enabling registration event package support on your system provides the functions described below:

- The Oracle® Enterprise Session Border Controller performs NAT on all contacts in the reginfo, regardless of their state.
- The Oracle® Enterprise Session Border Controller performs NAT on the address of record (AoR) attribute of the Registration element when it matches an existing cache entry. When either the Contact-URI or the AoR does not match a cache entry and the host part of the URI is an IP address, the Oracle® Enterprise Session Border Controller will NAT the host part using the applicable SIP NAT configuration

- Contacts are found in the XML URI element for the contact. But if there is no URI element, then the Oracle® Enterprise Session Border Controller uses the Contact element information for the contact.
- If the expires attribute in the Contact element is a value other than zero, the Oracle® Enterprise Session Border Controller uses (inserts) the expires values from the registration cache.
- This feature also introduces delayed deletion from the registry cache. When a 200 OK comes back in response to a REGISTER message and the 200 OK does not include all previously registered contacts, the missing contacts are deleted. If the global SIP configuration option `contact_cache_linger=XX` (where XX is the number of seconds to wait before deleting), then the contacts to be deleted remain for the specified number of seconds before they in fact are deleted.

## Updating Expiration Values

This feature also supports updating the expiration values for the registration cache when a Contact element has the expires attribute. For this support, the following apply:

- If the value of the expires attribute is greater than the expiration value for the access-side registration cache entry, the Oracle® Enterprise Session Border Controller replaces the XML expires attribute value with the cached one from the access side.
- If the value of the XML expires attribute is less than the core-side expiration value for the core-side registration cache entry, the Oracle® Enterprise Session Border Controller updates the core-side expiration value with the value from the expires attribute. Further, the Oracle® Enterprise Session Border Controller adjusts the access-side expiration value of the registration cache in these ways:
  - If the value of the XML expires attribute is less than the current access-side expiration value for the registration cache entry, the Oracle® Enterprise Session Border Controller sets the access-side expiration value to be equal to the value in the expires attribute.
  - Otherwise, the Oracle® Enterprise Session Border Controller leaves the expires value for the access-side expiration value for the registration cache entry unchanged. If this happens, the Oracle® Enterprise Session Border Controller replaces the value of the XML expires attribute with the adjusted access-side expiration value.
- If the expires attribute from a Contact element is 0 (meaning that the core is removing the registration), the Oracle® Enterprise Session Border Controller removes that Contact-URI from its registration cache. And if the registration cache entry has no remaining Contact-URIs, the Oracle® Enterprise Session Border Controller deletes the registration cache entry altogether.

## Contact Cache Linger Configuration

You enable this feature as part of the global SIP configuration, using that configuration's **options** parameter. You can optionally configure the number of seconds you want to keep a contact in the registration cache before it is deleted. This is the option:

- **contact-cache-linger=XX**—Number of seconds to wait before a contact is deleted from the cache (where XX is the number of seconds)

To enable SIP Registration overload protection on your Oracle® Enterprise Session Border Controller:

1. In Superuser mode, type **configure terminal** and press Enter.

```
ORACLE# configure terminal
```

2. Type **session-router** and press Enter to access the signaling-level configuration elements.

```
ORACLE(configure)# session-router  
ORACLE(session-router)#
```

3. Type **sip-config** and press Enter. The system prompt changes to let you know that you can begin configuring individual parameters.

```
ORACLE(session-router)# sip-config  
ORACLE(sip-config)#
```

4. **options**—Set the options parameter by typing **options**, a Space, the option name preceded by a plus sign (+) (**contact-cache-linger=XX**) where XX is the number of seconds to keep a contact in the cache before deleting it.

```
ORACLE(sip-config)# options +contact-cache-linger=5
```

**If you type either of these options without the plus (+) sign, you will remove any previously configured options. In order to append the new option to the options list, you must prepend the new option with a plus sign as shown in the example above.**

5. Save and activate your configuration.

## SIP Event Package for Registrations

This feature enables the Oracle® Enterprise Session Border Controller, acting as a Proxy Call Session Control Function (P-CSCF) to initiate subscription to the SIP Event Package for Registrations.

### Applicable Standards

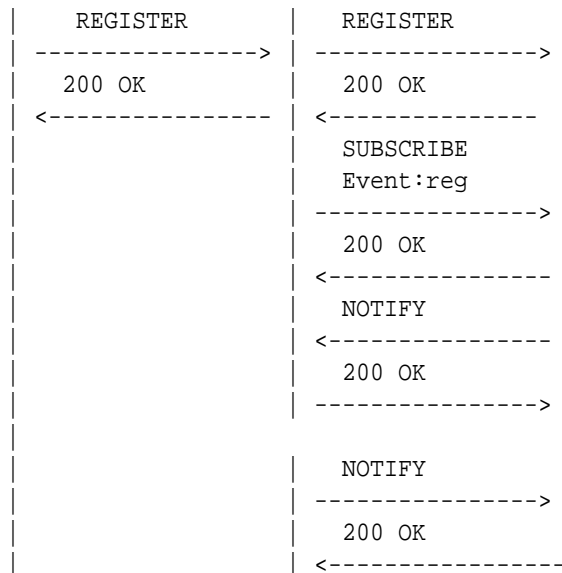
RFC 3265, *Session Initiation Protocol (SIP)-Specific Event Notification*, outlines a framework within which a SIP node, designated as the subscriber, can request automatic, asynchronous notification of certain events from a remote peer, designated as the notifier. RFC 3265 also defines an Event Package as a set of state information to be reported by a notifier to a subscriber, and mandates that such Event Packages be described in a specific RFC explicitly identifying the state information to be reported by the notifier and defining required syntax and semantics to support the subscription/notification exchange.

RFC 3680, *A Session Initiation Protocol (SIP) Event Package for Registrations*, fulfills this requirement by defining a method that enables SIP user agents to request a defined set of state information from a SIP Registrar.

Section 5.2.3 of the 3GPP (Third Generation Partnership Project) 24.229, *IP Multimedia Call Control Protocol Based on Session Initiation Protocol (SIP) and Session Description Protocol (SDP)*; Stage 3, mandates that a P-CSCF subscribe to the SIP Event Package for Registrations as defined in RFC 3680.

## Call Flow

An example call flow between a SIP endpoint, the Oracle® Enterprise Session Border Controller, acting as a P-CSCF, and a SIP Registrar (S-CSCF) illustrates the Subscription/Notification process.



The first two messages (the REGISTER request and the 200 REGISTER response) accomplish the successful registration of the SIP endpoint.

```

REGISTER sip:example.com SIP/2.0
Via: SIP/2.0/UDP pc34.example.com;branch=z9hG4bKnaaff
From: sip:joe@example.com;tag=99a8s
To: sip:joe@example.com
Call-ID: 88askjda9@pc34.example.com
CSeq: 9976 REGISTER
Contact: sip:joe@pc34.example.com
  
```

Immediately after processing the initial 200 OK from the SIP Registrar, the Oracle® Enterprise Session Border Controller sends a SUBSCRIBE Request to the S-CSCF.

```

SUBSCRIBE sip:joe@example.com SIP/2.0
Via: SIP/2.0/UDP app.example.com;branch=z9hG4bKnashds7
From: sip:sd.example.com;tag=123aa9
To: sip:joe@example.com
Call-ID: 9987@app.example.com
CSeq: 9887 SUBSCRIBE
Contact: sip:joe@pc34.example.com
P-Asserted-Identity: <sip:sd@example.com>
Event: reg
  
```

```
Max-Forwards: 70
Accept: application/reginfo+xml
```

The Request URI and To header contain the address-of-record (sip:joe@example.com) of the subscription subject. This value was previously contained in the From and To headers of the original REGISTER request. These fields are always identical in REGISTER requests, except in the case of third-party registration.

The From and P-Asserted-Identity headers contain the identity of the subscription requester.

The Contact header contains an IP address or FQDN at which the subscription subject can be reached. This field duplicates the value of the Contact header in the original REGISTER request. Multiple contacts can be registered for a single address-of-record.

The Event header contains the required value, reg, which identifies the requested Event Package subscription. reg specifies the SIP Event Package for Registrations.

The Accept header contains the required, default value, application/reginfo+xml, indicating syntactical support for Registration notifications and attached XML notification bodies.

Assuming the S-CSCF accepts the subscription, it responds with a 200 SUBSCRIBE response.

```
SIP/2.0 200 OK
Via: SIP/2.0/UDP app.example.com;branch=z9hG4bKnashds7
;received=192.0.2.1
From: sip:sd.example.com;tag=123aa9
To: sip:joe@example.com;tag=xyzygg
Call-ID: 9987@app.example.com
CSeq: 9987 SUBSCRIBE
Contact: sip:joe@pc34.example.com
Expires: 3600
```

The From header contains the identity of the subscription requester.

The To header contains the address-of-record of the subscription subject.

The Contact header contains an IP address or FQDN at which the subscription subject can be reached.

The Expires header contains the subscription duration in seconds. Upon receipt of a 2xx response to the SUBSCRIBE request, the Oracle® Enterprise Session Border Controller stores the information for the established dialog and the expiration time. If continued subscription is required, the Oracle® Enterprise Session Border Controller automatically refreshes the subscription to the SIP Event Package for Registrations, either 600 seconds before the expiration time if the initial subscription was for greater than 1200 seconds, or when half of the time has expired if the initial subscription was for 1200 seconds or less.

Following the 200 SUBSCRIBE response, the S-CSCF generates an initial notification, with Event Package state information contained in an XML body.

```
NOTIFY sip:app.example.com SIP/2.0
Via: SIP/2.0/UDP server19.example.com;branch=z9hG4bKnasaij
```

```
From: sip:app@example.com;tag=xyzygg
To: sip:sd.example.com;tag=123aa9
Call-ID: 9987@app.example.com
CSeq: 1289 NOTIFY
Contact: sip:server19.example.com
Event: reg
Max-Forwards: 70
Content-Type: application/reginfo+xml
Content-Length: ...

<?xml version="1.0"?>
<reginfo xmlns="urn:ietf:params:xml:ns:reginfo" version="1"
state="partial">
  <registration aor="sip:joe@example.com" id="a7" state="active">
    <contact id="76" state="init" event="registered"
duration-registered="0">
      <uri>sip:joe@pc34.example.com</uri>
    </contact>
  </registration>
</reginfo>
```

## Notification Bodies

Registration state changes are reported in XML attachments to NOTIFICATIONS generated by the S-CSCF. As shown above, the XML consists of one or more registration elements that report the state of a specific address-of-record. Attributes supported by the registration element are as follows:

aor contains the address-of-record

id identifies this specific registration

state reports the Registration state — init, active, or terminated

init — address-of-record not yet cached

active — address-of-record maintained in current cache

terminated — address-of-record removed from cache, not currently valid

registration elements, in turn, contain one or more child contact elements. Attributes supported by the contact element are as follows>

id identifies this specific contact

state reports the Contact state — active or terminated

event reports the event that generated the last state change — registered, created, refreshed, shortened, expired, deactivated, probation, unregistered, or rejected

duration-registered reports the length (in seconds) of the current registration

contact elements, contain a single child uri element that identifies the contact address of FQDN.

## SIP Event Package for Registrations Configuration

Subscription to the SIP Event Package for Registrations is enabled at the SIP interface level.

1. Use the following command sequence to move to **sip-interface** Configuration Mode.

```
ORACLE# configure terminal
```

```
ORACLE(configure)# session-router
```

```
ORACLE(session-router)# sip-interface
```

```
ORACLE(sip-interface)#
```

2. Use the **subscribe-reg-event** parameter to subscribe to the SIP Event Package for Registrations.

By default, subscription is disabled.

```
ORACLE(sip-interface)# subscribe-reg-event enabled
```

```
ORACLE(sip-interface)#
```

3. Use **done**, **exit**, and **verify-config** to complete enabling the Event Package subscription.

## SIP Transport Selection

With this feature enabled, when the Oracle® Enterprise Session Border Controller forwards a message larger than the value specified in the maximum UDP length parameter, it attempts to open an outgoing TCP connection to do so. This connection might fail for a number of reasons; for example, an endpoint might not support UDP, or it might be behind a firewall. The UDP fallback option addresses this condition. If it is configured in SIP interfaces associated with an outgoing message and a TCP session cannot be established, the Oracle® Enterprise Session Border Controller falls back to UDP and transmits the message. When the option is not present, the Oracle® Enterprise Session Border Controller's default behavior is to return the SIP status message 513 Message too Large.

## SIP Transport Selection Configuration

You enable this feature per SIP interface by setting options that control the maximum UDP length and allow UDP fallback:

- **max-udp-length=X** (where X is the maximum length)—Sets the largest UDP packets that the Oracle® Enterprise Session Border Controller will pass. Packets exceeding this length trigger the establishment of an outgoing TCP session to deliver the packet; this margin is defined in RFC 3261. The system default for the maximum UDP packet length is 1500.  
You can set the global SIP configuration's **max-udp-length=X** option for global use in your SIP configuration, or you can override it on a per-interface basis by configuring this option in a SIP interface configuration.
- **udp-fallback**—When a request needs to be sent out on the SIP interface for which you have configured this option, the Oracle® Enterprise Session Border Controller first tries to send it over TCP. If the SIP endpoint does not support TCP, however,

then the Oracle® Enterprise Session Border Controller falls back to UDP and tries the request again.

To enable SIP Transport Selection:

1. In Superuser mode, type **configure terminal** and press Enter.

```
ORACLE# configure terminal
```

2. Type **session-router** and press Enter to access the **session-router** path.

```
ORACLE(configure)# session-router
```

3. Type **sip-interface** and press Enter. The system prompt changes to let you know that you can begin configuring individual parameters.

```
ORACLE(session-router)# sip-interface
```

4. **options**—Set the options parameter by typing **options**, a Space, the option name **max-udp-length=X** (where X is the maximum UDP length you want to set), and then press Enter.

```
ORACLE(sip-interface)# options +max-udp-length=900
```

**If you type options max-udp-length=X, you will overwrite any previously configured options. In order to append the new option to the sip-interface's options list, you must prepend the new option with a plus sign as shown in the previous example.**

5. **options**—Set the options parameter by typing **options**, a Space, the option name **udp-fallback**, and then press Enter.

```
ORACLE(sip-interface)# options +udp-fallback
```

**If you type options udp-fallback, you will overwrite any previously configured options. In order to append the new option to the sip-interface's options list, you must prepend the new option with a plus sign as shown in the previous example.**

6. Save and activate your configuration.

## SIP Method-Transaction Statistic Enhancements

In prior releases, the Oracle® Enterprise Session Border Controller tracks SIP session agents, SIP interfaces and SIP realms on a global level. Only counters that are related to session rates and constraints are displayed.

You can now enable your Oracle® Enterprise Session Border Controller to track transaction messages for specific SIP session agents, SIP realms, and SIP interfaces.

The following SIP methods are tracked for Recent, Total, and Period Max values:

- INVITE | ACK | BYE | REGISTER | CANCEL | PRACK | OPTIONS | INFO | SUBSCRIBE | NOTIFY | REFER | UPDATE | MESSAGE | PUBLISH | other (unknown)



With this new tracking enhancement, the **show sipd** command has been updated with a new method argument which allows you to query statistics for a particular method for a given SIP agent, SIP interface, or SIP realm.

## SIP Method Tracking Enhancements Configuration

To enable or disable the expanded SIP Method statistics tracking:

1. In Superuser mode, type **configure terminal** and press Enter.

```
ORACLE# configure terminal
```

2. Type **session-router** and press Enter.

```
ORACLE(configure)# session-router
```

3. Type **sip-config** and press Enter.

```
ORACLE(session-router)# sip-config
```

4. **extra-method-stats**—Enable this parameter if you want to use the expanded SIP Method tracking feature. The default is **disabled**. The valid values are:

- enabled | disabled

5. Save and activate your configuration.

## SIP TCP Connection Reuse

You can configure your Oracle® Enterprise Session Border Controller to reuse TCP connections created by SIP peering devices for outgoing SIP in-dialog and out-of-dialog request transactions.

The SIP draft draft-ietf-sip-connect-reuse-07.txt describes a way for SIP UAs to reuse connections created by a remote endpoint for outgoing requests for TLS. The Oracle® Enterprise Session Border Controller does not support the model connection reuse signalled by a parameter; rather, it is provisioned on a per-session-agent basis.

You enable SIP TCP connection reuse on a per-session-agent basis. The Oracle® Enterprise Session Border Controller checks incoming TCP connection request to determine if they are from session agent that has this feature turned on. When it is, the Oracle® Enterprise Session Border Controller adds the connection's source address to its list of alias connections. This is a list of connections that the Oracle® Enterprise Session Border Controller can use for outgoing requests rather than creating its own connection (as it does when this feature is not enabled). So if a preferred connection fails, the Oracle® Enterprise Session Border Controller can refer to this list and use the alias connection.

The presence of an alias parameter in the Via header is just one mechanism that will call the Oracle® Enterprise Session Border Controller to use the inbound TCP/TLS connection for outbound requests. The Oracle® Enterprise Session Border Controller will automatically add an alias for the inbound connections in the following circumstances:

- The other end of the connection is behind a NAT. When the Oracle® Enterprise Session Border Controller sees that the Via sent-by does not match the source

address of the connection, it will automatically reuse the connection to deliver requests to the UA.

- The Contact address of a REGISTER request received on a TCP connection matches the source address and port. This is because the contact address is the ephemeral port the UA used to form the connection to the Oracle® Enterprise Session Border Controller and, therefore, will not be listening on that port for inbound connections.
- The presence of reuse-connections in the options field of the sip-interface will cause the Oracle® Enterprise Session Border Controller to reuse all inbound TCP connections for sending requests to the connected UA.

## SIP TCP Connection Reuse Configuration

This section describes how to enable SIP TCP connection reuse for a session agent. Currently there are two options for the new **reuse-connections** parameter: `none` (which turns the feature off) and `tcp` (which enables the feature for TCP connections). You also set the re-connection interval.

To enable SIP TCP connection reuse for a session agent:

1. In Superuser mode, type **configure terminal** and press Enter.

```
ORACLE# configure terminal
```

2. Type **session-router** and press Enter to access the signaling-level configuration elements.

```
ORACLE(configure)# session-router  
ORACLE(session-router)#
```

3. Type **session-agent** and press Enter. The system prompt changes to let you know that you can begin configuring individual parameters.

```
ORACLE(session-router)# session-agent  
ORACLE(session-agent)#
```

If you are adding support for this feature to a pre-existing session agent, then you must select (using the ACLI **select** command) the session agent that you want to edit.

4. **reuse-connections**—Enable or disable SIP TCP connection reuse. The default is **none**. This value disables the feature. The valid values are:
  - `tcp | none`
5. **tcp-reconn-interval**—Enter the amount of time in seconds before retrying a TCP connection. The default for this parameter is **0**. The valid range is:
  - Minimum—0, 2
  - Maximum—300
6. Save and activate your configuration.

## SIP TCP Keepalive

The Oracle® Enterprise Session Border Controller supports a special TCP keepalive mechanism for SIP. By enabling this feature either for a session agent or for a SIP interface, you allow the Oracle® Enterprise Session Border Controller to use standard keepalive probes to determine whether or not connectivity with a remote peer has been lost.

This feature adds to the Oracle® Enterprise Session Border Controller's pre-existing TCP keepalive functionality that you can enable in the network parameters configuration. Using existing functionality, you can customize keepalive timing by:

- Specifying the number of unacknowledged packets the Oracle® Enterprise Session Border Controller sends to the remote peer before it terminates the TCP connection.
- Specifying the number of seconds of idle time before TCP keepalive messages are sent to the remote peer.

You can now set three modes for TCP keepalive for session agents and SIP interfaces:

- **none**—(Default) Keepalives are not enabled for use with the session agent/SIP interface; when you select this setting for a session agent, it will use the setting for this feature from the SIP interface.
- **enabled**—Keepalives are enabled for the session agent/SIP interface.
- **disabled**—Keepalives are disabled for the session agent/SIP interface.

Note that the setting for this feature for a session agent takes precedence over that for a SIP interface. In addition, the session agent offers you a way to set the re-connection interval.

## SIP TCP Keepalive Configuration for Session Agents

To enable SIP TCP keepalive for session agents:

1. In Superuser mode, type **configure terminal** and press Enter.

```
ORACLE# configure terminal  
ORACLE(configure)#
```

2. Type **session-router** and press Enter to access the signaling-level configuration elements.

```
ORACLE(configure)# session-router  
ORACLE(session-router)#
```

3. Type **session-agent** and press Enter.

```
ORACLE(session-router)# session-agent  
ORACLE(session-agent)#
```

If you are adding support for this feature to a pre-existing session agent, then you must select (using the ACLI **select** command) the session agent that you want to edit.

4. **tcp-keepalive**—Enable or disable standard keepalive probes to determine whether or not connectivity with a remote peer is lost. The default value is **none**. The valid values are:

- none | enabled | disabled

```
ACMEPACKET(session-agent)# tcp-keepalive enabled
```

5. Save and activate your configuration.

## SIP TCP Keepalive Configuration for SIP Interfaces

To enable SIP TCP keepalive for SIP interfaces:

1. In Superuser mode, type **configure terminal** and press Enter.

```
ORACLE# configure terminal
ORACLE(configure)#
```

2. Type **session-router** and press Enter to access the signaling-level configuration elements.

```
ORACLE(configure)# session-router
ORACLE(session-router)#
```

3. Type **sip-interface** and press Enter.

```
ORACLE(session-router)# sip-interface
ORACLE(sip-interface)#
```

If you are adding support for this feature to a pre-existing SIP interface, then you must select (using the ACLI **select** command) the SIP interface that you want to edit.

4. **tcp-keepalive**—Enable or disable SIP TCP keepalive. The default value is **none**. The valid values are:

- none | enabled | disabled

```
ORACLE(session-agent)# tcp-keepalive enabled
```

5. Save and activate your configuration.

## TCP Connection Tools

Transmission Control Protocol (TCP) connection tools can assist you in gauging performance, identifying potential memory leaks, and debugging connections for performance tracking and improvement.

The **show ip tcp** command shows the following socket connections by state:

- inbound
- outbound
- listen
- IMS-AKA

The **show sipd tcp** and **show sipd tcp connections** commands display counters to track usage. Use the **reset sipd** command to reset the counters.

## TCP and SCTP State Connection Counters

The Oracle® Enterprise Session Border Controller (E-SBC) can provide systemwide counts of Transmission Control Protocol (TCP) and Stream Control Transmission Protocol (SCTP) states by way of the **show ip tcp** and **show ip sctp** commands from the ACLI.

The **show ip tcp** command includes the following section of counters that correspond to counts of TCP states per active connections, including counts differentiated by inbound, outbound, listen and IMS-AKA connections.

### Note:

Although the Oracle Enterprise Session Border Controller (E-SBC) displays the IMS-AKA statistics fields, the E-SBC does not support providing the corresponding values.

```
Connections By State:
  0      CLOSED
  0      LISTEN
  0      SYN_SENT
  0      SYN_RCVD
  0      ESTABLISHED
  0      CLOSE_WAIT
  0      FIN_WAIT_1
  0      CLOSING
  0      LAST_ACK
  0      FIN_WAIT_2
  0      TIME_WAIT
```

```
Inbound Socket Connection By State:
  0      CLOSED
  0      LISTEN
  0      SYN_SENT
  0      SYN_RCVD
  50     ESTABLISHED
  0      CLOSE_WAIT
  0      FIN_WAIT_1
  0      CLOSING
  0      LAST_ACK
  0      FIN_WAIT_2
  0      TIME_WAIT
```

## Outbound Socket Connection By State:

```
0   CLOSED
0   LISTEN
0   SYN_SENT
0   SYN_RCVD
1   ESTABLISHED
0   CLOSE_WAIT
0   FIN_WAIT_1
0   CLOSING
0   LAST_ACK
0   FIN_WAIT_2
0   TIME_WAIT
```

## Listen Socket Connection By State:

```
0   CLOSED
2   LISTEN
0   SYN_SENT
0   SYN_RCVD
0   ESTABLISHED
0   CLOSE_WAIT
0   FIN_WAIT_1
0   CLOSING
0   LAST_ACK
0   FIN_WAIT_2
0   TIME_WAIT
```

## IMSAKA Inbound Socket Connection By State:

```
0   CLOSED
0   LISTEN
0   SYN_SENT
0   SYN_RCVD
0   ESTABLISHED
0   CLOSE_WAIT
0   FIN_WAIT_1
0   CLOSING
0   LAST_ACK
0   FIN_WAIT_2
0   TIME_WAIT
```

## IMSAKA Outbound Socket Connection By State:

```
0   CLOSED
0   LISTEN
0   SYN_SENT
0   SYN_RCVD
0   ESTABLISHED
0   CLOSE_WAIT
0   FIN_WAIT_1
0   CLOSING
0   LAST_ACK
0   FIN_WAIT_2
0   TIME_WAIT
```

```
IMSAKA Listen Socket Connection By State:
```

```
0    CLOSED
0    LISTEN
0    SYN_SENT
0    SYN_RCVD
0    ESTABLISHED
0    CLOSE_WAIT
0    FIN_WAIT_1
0    CLOSING
0    LAST_ACK
0    FIN_WAIT_2
0    TIME_WAIT
```

```
Number of Connections Counted = 0
Maximum Connection Count = 0
Maximum Number of Connections Supported = 220000
```

The **show ip sctp** command includes the following section of counters that correspond to counts of SCTP states per active connections.

```
Connections By State:
```

```
0    CLOSED
0    BOUND
0    LISTEN
0    COOKIE_WAIT
0    COOKIE_ECHOED
0    ESTABLISHED
0    SHUTDOWN_SENT
0    SHUTDOWN_RECEIVED
0    SHUTDOWN_ACK_SENT
0    SHUTDOWN_PENDING
```

```
Number of Connections Counted = 0
Maximum Connection Count = 0
Maximum Number of Connections Supported = 10000
```

The output of the state counters indicates the number of connections currently in each state. The statistics from the counters do not accumulate like many of the other statistics in the **show ip** command tree. Most states are ephemeral, and you may see many "0" counters for states other than LISTEN and ESTABLISHED.

## show sipd tcp connections

The **show sipd tcp connections** command displays Transmission Control Protocol (TCP) connection information details on remote and local address/port and connection states for analysis. Oracle recommends that you use the command only during non-peak times or maintenance windows.

The **show sipd tcp connections** command displays all SIP/TCP connections including each connection's direction, type, state, local and remote addresses, SIP interface and IMS-AKA details. Arguments include:

- sip-interface—Optional parameter that limits output to sockets in the specified sip-interface
- start start—Integer indicating which connection to start displaying. This can be a negative number. When the number selected for the start variable is greater than the number of TCP connections, the system displays nothing.
- start-count start—Integer as per above plus the count integer, specifying how many TCP connections to display from the start.
- all—Display all of the sipd tcp connections. Exercise caution due to the possibility of consuming all CPU time; preferably use during a maintenance window

 **Note:**

Although the Oracle Enterprise Session Border Controller (E-SBC) displays the IMS-AKA statistics fields, the E-SBC does not support providing the corresponding values.

For example:

```
ORACLE# show sipd tcp connections
```

```
sipd tcp connections
```

Dir	Type	State	Local Address	Remote Address
	sip-interface-id		isImsaka	
	LISTEN	TCP_LISTENING	172.16.101.149:5060	
net172	in	FORKED	TCP_CONNECTED	172.16.101.149:5060 172.16.23.100:51678
net172	in	FORKED	TCP_CONNECTED	172.16.101.149:5060 172.16.23.100:51679
net172	[...]			
net172	in	FORKED	TCP_CONNECTED	172.16.101.149:5060 172.16.23.100:51727
net172	in	FORKED	TCP_CONNECTED	172.16.101.149:5060 172.16.23.100:51728
net172	in	FORKED	TCP_CONNECTED	172.16.101.149:5060 172.16.23.100:51729
net172	LISTEN	TCP_LISTENING	192.168.101.149:5060	
net192	out	CONNECT	TCP_CONNECTED	192.168.101.149:8192 192.168.23.100:5060
net192				
	Connections Displayed:		53	
	Total Connections:		53	



## show sipd tcp

The **show sipd tcp** command displays TCP connection state information for the following:

- inbound
- outbound
- listen
- total
- IMS-AKA (Although the Oracle Enterprise Session Border Controller (E-SBC) displays the IMS-AKA statistics fields, the E-SBC does not support providing the corresponding values.)

For example:

```
ORACLE# show sipd tcp
11:11:54-110
SIP TCP Sockets
```

	Active	High	Total	Total	PerMax	High
All States	53	53	108	108	108	53
TCP_INITIAL	0	0	0	0	0	0
TCP_STARTING	0	0	0	0	0	0
TCP_AVAILABLE	0	1	51	51	51	1
TCP_BOUND	0	1	3	3	3	1
TCP_CONNECTED	51	51	51	51	51	51
TCP_CONNECTING	0	1	1	1	1	1
TCP_LISTENING	2	2	2	2	2	2
TCP_DISCONNECT	0	0	0	0	0	0
TCP_CLOSED	0	0	0	0	0	0

---

```
SIP Inbound TCP Sockets
```

	Active	High	Total	Total	PerMax	High
All States	50	50	100	100	100	50
TCP_INITIAL	0	0	0	0	0	0
TCP_STARTING	0	0	0	0	0	0
TCP_AVAILABLE	0	1	50	50	50	1
TCP_BOUND	0	0	0	0	0	0
TCP_CONNECTED	50	50	50	50	50	50
TCP_CONNECTING	0	0	0	0	0	0
TCP_LISTENING	0	0	0	0	0	0
TCP_DISCONNECT	0	0	0	0	0	0
TCP_CLOSED	0	0	0	0	0	0

---

```
SIP Outbound TCP Sockets
```

	Active	High	Total	Total	PerMax	High
All States	1	1	4	4	4	1
TCP_INITIAL	0	0	0	0	0	0

TCP_STARTING	0	0	0	0	0	0
TCP_AVAILABLE	0	1	1	1	1	1
TCP_BOUND	0	1	1	1	1	1
TCP_CONNECTED	1	1	1	1	1	1
TCP_CONNECTING	0	1	1	1	1	1
TCP_LISTENING	0	0	0	0	0	0
TCP_DISCONNECT	0	0	0	0	0	0
TCP_CLOSED	0	0	0	0	0	0

```
-----
```

SIP Listen TCP Sockets		-- Period --		----- Lifetime -----		
	Active	High	Total	Total	PerMax	High
All States	2	2	4	4	4	2
TCP_INITIAL	0	0	0	0	0	0
TCP_STARTING	0	0	0	0	0	0
TCP_AVAILABLE	0	0	0	0	0	0
TCP_BOUND	0	1	2	2	2	1
TCP_CONNECTED	0	0	0	0	0	0
TCP_CONNECTING	0	0	0	0	0	0
TCP_LISTENING	2	2	2	2	2	2
TCP_DISCONNECT	0	0	0	0	0	0
TCP_CLOSED	0	0	0	0	0	0

```
-----
```

IMS-AKA portion of show sipd tcp command:

```
ORACLE# show sipd tcp
15:28:51-197
[...]
```

SIP IMSAKA In TCP Sockets		-- Period --		----- Lifetime -----		
	Active	High	Total	Total	PerMax	High
All States	0	0	0	0	0	0
TCP_INITIAL	0	0	0	0	0	0
TCP_STARTING	0	0	0	0	0	0
TCP_AVAILABLE	0	0	0	0	0	0
TCP_BOUND	0	0	0	0	0	0
TCP_CONNECTED	0	0	0	0	0	0
TCP_CONNECTING	0	0	0	0	0	0
TCP_LISTENING	0	0	0	0	0	0
TCP_DISCONNECT	0	0	0	0	0	0
TCP_CLOSED	0	0	0	0	0	0

```
-----
```

SIP IMSAKA Out TCP Sockets		-- Period --		----- Lifetime -----		
	Active	High	Total	Total	PerMax	High
All States	0	0	0	0	0	0
TCP_INITIAL	0	0	0	0	0	0
TCP_STARTING	0	0	0	0	0	0
TCP_AVAILABLE	0	0	0	0	0	0
TCP_BOUND	0	0	0	0	0	0

```

TCP_CONNECTED          0          0          0          0          0          0
TCP_CONNECTING         0          0          0          0          0          0
TCP_LISTENING          0          0          0          0          0          0
TCP_DISCONNECT         0          0          0          0          0          0
TCP_CLOSED             0          0          0          0          0          0

```

```

-----
SIP IMSAKA Listen TCP Sockets -- Period -- ----- Lifetime -----
                Active    High    Total      Total    PerMax    High
All States          1        1        0          2        2        1
TCP_INITIAL         0        0        0          0        0        0
TCP_STARTING        0        0        0          0        0        0
TCP_AVAILABLE       0        0        0          0        0        0
TCP_BOUND           0        0        0          1        1        1
TCP_CONNECTED       0        0        0          0        0        0
TCP_CONNECTING      0        0        0          0        0        0
TCP_LISTENING       1        1        0          1        1        1
TCP_DISCONNECT      0        0        0          0        0        0
TCP_CLOSED          0        0        0          0        0        0
-----

```

## show ip

### Syntax

```
show ip <arguments>
```

Displays IP statistics for the Oracle® Enterprise Session Border Controller.

### Arguments

The following is a list of valid show ip arguments:

- `statistics` —Display detailed IP statistics
- `connections` —Display all TCP and UDP connections
- `sctp`—Display all SCTP statistics, including a list of current connections per SCTP state and systemwide counts.
- `tcp` —Display all TCP statistics, including a list of current connections per TCP state and differentiated by inbound, outbound, listen and IMS-AKA connections as well as systemwide counts. (Although the Oracle Enterprise Session Border Controller (E-SBC) displays the IMS-AKA statistics fields, the E-SBC does not support providing the corresponding values.)
- `udp` —Display all UDP statistics

Executing the **show ip** command with no arguments returns the equivalent of the **show ip statistics** command.

## show sipd

### Syntax

```
show sipd <arguments>
```

The show sipd command displays SIP statistics on your Oracle® Enterprise Session Border Controller.

#### Note:

(Although the Oracle Enterprise Session Border Controller (E-SBC) displays the IMS-AKA statistics fields, the E-SBC does not support providing the corresponding values.)

### Arguments

status—Display information about SIP transactions. These statistics are given for the Period and Lifetime monitoring spans. This display also provides statistics related to SIP media events. The following statistics are displayed when using the show sipd status command.

- Dialogs—Number of end-to-end SIP signaling connections
- CallID Map—Total number of successful session header Call ID mappings
- Sessions—Number of sessions established by an INVITE
- Subscriptions—Number of sessions established by SUBSCRIPTION
- Rejections—Number of rejected INVITES
- ReINVITES—Number of ReINVITES
- Media Sessions—Number of successful media sessions
- Media Pending—Number of media sessions waiting to be established
- Client Trans—Number of client transactions
- Server Trans—Number of server transactions that have taken place on the Oracle® Enterprise Session Border Controller
- Resp Contexts—Number of current response contexts
- Saved Contexts—Total number of saved contexts
- Sockets—Number of active SIP sockets
- Req Dropped—Number of requests dropped
- DNS Trans—Number of DNS transactions
- DNS Sockets—Number of DNS Sockets
- DNS Results—Number of dns results
- Session Rate—The rate, per second, of SIP invites allowed to or from the Oracle® Enterprise Session Border Controller during the sliding window period. The rate is computed every 10 seconds

- **Load Rate**—Average Central Processing Unit (CPU) utilization of the Oracle® Enterprise Session Border Controller during the current window. The average is computed every 10 seconds. When you configure the load-limit in the SIPConfig record, the system computes the average every 5 seconds

errors —Display statistics for SIP media event errors. These statistics are errors encountered by the SIP application in processing SIP media sessions, dialogs, and session descriptions (SDP). Errors are only displayed for the lifetime monitoring span.

- **SDP Offer Errors**—Number of errors encountered in setting up the media session for a session description in a SIP request or response which is an SDP Offer in the Offer/Answer model (RFC 3264)
- **SDP Answer Errors**—Number of errors encountered in setting up the media session for a session description in a SIP request or response which is an SDP Answer in the Offer/Answer model (RFC 3264)
- **Drop Media Errors**—Number of errors encountered in tearing down the media for a dialog or session that is being terminated due to: a) non-successful response to an INVITE transaction; or b) a BYE transaction received from one of the participants in a dialog or session; or c) a BYE initiated by the system due to a timeout notification from MBCD
- **Transaction Errors**—Number of errors in continuing the processing of the SIP client transaction associated with setting up or tearing down of the media session
- **Missing Dialog**—Number of requests received by the SIP application for which a matching dialog count not be found
- **Application Errors**—Number of miscellaneous errors in the SIP application that are otherwise uncategorized
- **Media Exp Events**—Flow timer expiration notifications received from MBCD
- **Early Media Exps**—Flow timer expiration notifications received for media sessions that have not been completely set up due to an incomplete or pending INVITE transaction
- **Exp Media Drops**—Number of flow timer expiration notifications from the MBCD that resulted in the termination of the dialog/session by the SIP application
- **Multiple OK Drops**—Number of dialogs terminated upon reception of a 200 OK response from multiple UASs for a given INVITE transaction that was forked by a downstream proxy
- **Multiple OK Terms**—Number of dialogs terminated upon reception of a 200 OK response that conflicts with an existing established dialog on the Oracle® Enterprise Session Border Controller
- **Media Failure Drops**—Number of dialogs terminated due to a failure in establishing the media session
- **Non-ACK 2xx Drops**—Number of sessions terminated because an ACK was not received for a 2xx response
- **Invalid Requests**—Number of invalid requests; an unsupported header for example
- **Invalid Responses**—Number of invalid responses; no Via header for example
- **Invalid Messages**—Number of messages dropped due to parse failure
- **CAC Session Drop**—Number of call admission control session setup failures due to user session count exceeded

- Expired Sessions—Number of sessions terminated due to the session timer expiring
- CAC BW Drop—Number of call admission control session setup failures due to insufficient bandwidth  
Lifetime displays show information for recent, total, and period maximum error statistics:
- Recent—Number of errors occurring in the number of seconds listed after the time stamp
- Total—Number of errors occurring since last reboot
- PerMax—Identifies the highest individual Period Total over the lifetime of the monitoring

policy—Display SIP local policy / routing statistics for lifetime duration

- Local Policy Lookups—Number of Local policy lookups
- Local Policy Hits—Number of successful local policy lookups
- Local Policy Misses—Number of local policy lookup failures
- Local Policy Drops—Number of local policy lookups where the next hop session agent group is H323
- Agent Group Hits—Number of successful local policy lookups for session agent groups
- Agent Group Misses—Number of successful local policy lookups where no session agent was available for session agent group
- No Routes Found—Number of successful local policy lookups but temporarily unable to route; session agent out of service for instance
- Missing Dialog—Number of local policy lookups where the dialog is not found for a request addressed to the Oracle® Enterprise Session Border Controller with a To tag or for a NOTIFY-SUBSCRIBE sip request
- Inb SA Constraints—Number of successful local policy lookups where inbound session agent exceeded constraints
- Outb SA Constraints—Number of successful outbound local policy lookups where session agent exceeded constraints
- Inb Reg SA Constraints—Number of successful inbound local policy lookups where registrar exceeded constraints
- Out Reg SA Constraints—Number of successful outbound local policy lookups where registrar exceeded constraints
- Requests Challenged—Number of requests challenged
- Challenge Found— Number of challenges found
- Challenge Not Found—Number of challenges not found
- Challenge Dropped—Number of challenges dropped

server—Display statistics for SIP server events when the Oracle® Enterprise Session Border Controller acts as a SIP server in its B2BUA role. Period and Lifetime monitoring spans for SIP server transactions are provided.

- All States—Number of all server transactions
- Initial—Number of times the “initial” state was entered after a request was received

- Queued—Number of times the “queued” state is entered because resources are temporarily unavailable
- Trying—Number of times the “trying” state was entered due to the receipt of a request
- Proceeding—Number of times a server transaction has been constructed for a request
- Cancelled—Number of INVITE transactions that received a CANCEL
- Established—Number of times the server sent a 2xx response to an INVITE
- Completed—Number of times the server received a 300 to 699 status code and entered the “completed” state
- Confirmed—Number of times that an ACK was received while the server was in “completed” state and transitioned to “confirmed” state
- Terminated—Number of times that the server received a 2xx response or never received an ACK in the “completed” state, and transitioned to the “terminated” state

client —Display statistics for SIP client events when the Oracle® Enterprise Session Border Controller is acting as a SIP client in its B2BUA role. Period and Lifetime monitoring spans are displayed.

- All States—Number of all client transactions
- Initial—State when initial server transaction is created before a request is sent
- Trying—Number of times the “trying” state was entered due to the sending of a request
- Calling—Number of times that the “calling” state was entered due to the receipt of an INVITE request
- Proceeding—Number of times that the “proceeding” state was entered due to the receipt of a provisional response while in the “calling” state
- Early Media—Number of times that the “proceeding” state was entered due to the receipt of a provisional response that contained SDP while in the “calling” state
- Completed—Number of times that the “completed” state was entered due to the receipt of a status code in the range of 300-699 when either in the “calling” or “proceeding” state
- SetMedia—Number of transactions in which the Oracle® Enterprise Session Border Controller is setting up NAT and steering ports
- Established—Number of situations when client receives a 2xx response to an INVITE, but cannot forward it because it NAT and steering port information is missing
- Terminated—Number of times the “terminated” state was entered after a 2xx message

acls—Display ACL information for Period and Lifetime monitoring spans

- Total entries—Total ACL Entries, including both trusted and blocked
- Trusted—Number of trusted ACL entries
- Blocked—Number of blocked ACL entries
- Blocked NATs—Number of blocked entries that are behind NATs

Lifetime monitoring span is displayed for SIP ACL Operations.

- ACL Requests—Number of ACL requests
- Bad Messages —Number of bad messages
- Promotions—Number of ACL entry promotions
- Demotions—Number of ACL entry demotions
- Trust->Untrust—Number of ACL entries demoted from trusted to untrusted
- Untrust->Deny—Number of acl entries demoted from untrusted to deny

sessions—Display the number of sessions and dialogs in various states for the Period and Lifetime monitoring spans, in addition to the current Active count:

- Sessions—Identical to the identically named statistic on the show sipd status command
- Initial—Displays sessions for which an INVITE or SUBSCRIBE is being forwarded
- Early—Displays sessions for which the first provisional response (1xx other than 100) is received
- Established—Displays sessions for which a success (2xx) response is received
- Terminated—Displays sessions for which the session is ended by receiving or sending a BYE for an "Established" session or forwarding an error response for an "Initial" or "Early" session. The session will remain in the "Terminated" state until all the resources for the session are freed.
- Dialogs—Identical to the identically named statistic on the show sipd status command
- Early—Displays dialogs that were created by a provisional response
- Confirmed—Displays dialogs that were created by a success response. An "Early" dialog will transition to "Confirmed" when a success response is received
- Terminated—Displays dialogs that were ended by receiving/sending a BYE for an "Established" session or receiving/sending error response "Early" dialog. The dialog will remain in the "Terminated" state until all the resources for the session are freed.

sessions all—Display all SIP sessions currently on the system

sessions by-agent <agent name>—Display SIP sessions for the session agent specified; adding iwf to the end of the command shows sessions for the IWF; adding detail to the end of the command expands the displayed information

sessions by-ip <endpoint IP address>—Display SIP sessions for the specified IP address for an endpoint; adding iwf to the end of the command shows sessions for the IWF; adding detail to the end of the command expands the displayed information

sessions by-user <calling or called number>—Display SIP sessions for the specified user; adding iwf to the end of the command shows sessions for the IWF; adding detail to the end of the command expands the displayed information

sessions by-callid <call ID>—Display SIP sessions for the specified call ID; adding iwf to the end of the command shows sessions for the IWF; adding detail to the end of the command expands the displayed information

redundancy—Display sipd redundancy statistics. Executing the show sipd redundancy command is the equivalent to the show redundancy sipd command.



agents [hostname][method][-t]—Display statistics related to defined SIP session agents. Entering this command without any arguments list all SIP session agents. By adding the IP address or hostname of a session agent as well as a specified method at the end of the command, you can display statistics for that specific session agent and method. For a specific session agent, identified by IP address, the show sipd agents command lists:

- session agent state
    - D—disabled
    - I—in-service
    - O—out-of-service
    - S—transitioning from out-of-service to in-service
  - inbound and outbound statistics
  - average and maximum latency for each session agent
  - maximum burst rate for each session agent as total number of session invitations sent to or received from the session agent within the amount of time configured in the burst-rate-window field
- Inbound Statistics:
- Active—Number of active sessions sent to each session agent listed
  - Rate—Average rate of session invitations (per second) sent to each session agent listed
  - ConEx—Number of times the constraints have been exceeded
- Outbound Statistics:
- Active—Number of active sessions sent from each session agent
  - Rate—Average rate of session invitations (per second) sent from each session agent listed
  - ConEx—Number of times the constraints have been exceeded
- Latency:
- Avg—Average latency for packets traveling to and from each session agent
  - Max—Maximum latency for packets traveling to and from each session agent listed

-t—Append to the end of the command to specify the current time period for the max-burst value.

interface [interface-id][method]—Display SIP interface statistics. By adding the optional interface-id and method arguments you can narrow the display to view just the interface and method you want to view.

ip-cac <IP address>—Display CAC parameters for an IP address

publish—Display statistics related to incoming SIP PUBLISH messages

agent <agent>—Display activity for the session agent that you specify

- Inbound Sessions:
  - Rate Exceeded—Number of times session or burst rate was exceeded for inbound sessions

- Num Exceeded—Number of times time constraints were exceeded for inbound sessions  
Outbound Sessions:
- Rate Exceeded—Number of times session or burst rate was exceeded for outbound sessions
- Num Exceeded—Number of times time constraints were exceeded for inbound sessions
- Burst—Number of times burst rate was exceeded for this session agent
- Out of Service—Number of times this session agent went out of service
- Trans Timeout—Number of transactions timed out for this session agent
- Requests Sent—Number of requests sent by way of this session agent
- Requests Complete—Number of requests that have been completed for this session agent
- Messages Received—Number of messages received by this session agent

realm—Display realm statistics related to SIP processing

routers—Display status of Oracle® Enterprise Session Border Controller connections for session router functionality

directors—Display the status of Oracle® Enterprise Session Border Controller connections for session director functionality

<message>—Add one of the following arguments to the end of a show sipd command to display information about that type of SIP message:

- INVITE—Display the number of SIP transactions including an INVITE method
  - REGISTER—Display the number of SIP transactions including a REGISTER method
  - OPTIONS—Display the number of SIP transactions including an OPTIONS method
  - CANCEL—Display the number of SIP transactions including a CANCEL method
  - BYE—Display the number of SIP transactions including a BYE method
  - ACK—Display the number of SIP transactions including an ACK method
  - INFO—Display the number of SIP transactions including an INFO method
  - PRACK—Display the number of SIP transactions including a PRACK method
  - SUBSCRIBE—Display the number of SIP transactions including a SUBSCRIBE method
  - NOTIFY—Display the number of SIP transactions including a NOTIFY method
  - REFER—Display the number of SIP transactions including a REFER method
  - UPDATE—Display the number of SIP transactions including an UPDATE method
  - other—Display the number of SIP transactions including non-compliant methods and protocols used by specific customers
- The following lists information displayed for each individual SIP message statistic. Some or all of the following messages and events may appear in the output from a show sipd command.

- INVITE Requests—Number of times method has been received or sent
- Retransmissions—Information regarding sipd message command requests received by the Oracle® Enterprise Session Border Controller
- 100 Trying—Number of times some unspecified action is being taken on behalf of a call (e.g., a database is being consulted), but user has not been located
- 180 Ringing—Number of times called UA identified a location where user has registered recently and is trying to alert the user
- 200 OK—Number of times request has succeeded
- 408 Request Timeout—Number of times server could not produce a response before timeout
- 481 Does Not Exist—Number of times UAS received a request not matching existing dialog or transaction
- 486 Busy Here—Number of times callee's end system was contacted successfully but callee not willing to take additional calls
- 487 Terminated—Number of times request was cancelled by a BYE or CANCEL request
- 4xx Client Error—Number of times the 4xx class of status code appeared for cases where the client seems to have erred
- 503 Service Unavail—Number of times server was unable to handle the request due to a temporary overloading or maintenance of the server
- 5xx Server Error—Number of times the 5xx class of status code appeared
- Response Retrsns—Number of response re-transmissions sent and received
- Transaction Timeouts— Number of times a transaction timed out. The timer related to this transaction is Timer B, as defined in RFC 3261
- Locally Throttled—Number of locally throttled invites. Does not apply to a server. show sipd <message> output is divided in two sections: Server and Client, with information for recent, total, and period maximum time frames. This command also displays information about the average and maximum latency. For each type of SIP message, only those transactions for which there are statistics are shown. If there is no data available for a certain SIP message, the system displays the fact that there is none and specifies the message about which you inquired.

groups—Display cumulative information for all session agent groups on the Oracle® Enterprise Session Border Controller. This information is compiled by totaling the session agent statistics for all of the session agents that make up a particular session agent group. While the show sipd groups command accesses the sub-commands described in this section, the main show sipd groups command (when executed with no arguments) displays a list of all session agent groups.

groups -v—Display statistics for the session agents that make up the session agent groups that are being reported. The -v (meaning “verbose”) executed with this command must be included to provide verbose detail.

groups <specific group name>— Display statistics for the specified session agent group

endpoint-ip <phone number> —Displays registration information for a designation endpoint entered in the <phone number> argument; also show IMS-AKA data

all—Display all the show sipd statistics listed above

sip-endpoint-ip—See show sipd endpoint-ip

sa-nsep-burst—Display NSEP burst rate for all SIP session agents

subscriptions-by-user—Display data for SIP per user subscribe dialog limit

rate—Displays the transaction rate of SIP messages

codecs—Displays codec usage per realm, including counts for codecs that require a license such as SILK and Opus.

pooled-transcoding—Pooled transcoding information for the client and server User Agents on the A-SBC.

srvcc—SRVCC handover counts including ATCF and EATF sessions.

- Total Calls - Total calls subjected to SRVCC
- Total Success - Total successful SRVCC hand-off
- Total Failed - Total failed SRVCC hand-off
- Calls After Answer - Total calls subjected to SRVCC in established phase
- After Answer Success - Total successful SRVCC hand-off in established phase
- After Answer Failed - Total failed SRVCC hand-off in established phase
- Calls During Alerting - Total calls subjected to SRVCC in alerting phase
- During Alerting Success - Total successful SRVCC hand-off in alerting phase
- During Alerting Failed - Total failed SRVCC hand-off in alerting phase
- ATCF Cancellation - Total ATCF cancellations
- Total Emergency Calls - Total SRVCC hand-off for Emergency calls
- Emergency Success - Total successful SRVCC hand-off for Emergency calls
- Emergency Failed - Total failed SRVCC hand-off for Emergency calls
- EATF Cancellation - Total EATF Cancellations

tcp—Displays TCP connection state information for the following

- inbound
- outbound
- listen
- IMS-AKA
- total

tcp connections—Dump TCP connections for analysis. Options include:

- sip-interface—Optional parameter that limits output to sockets in the specified sip-interface
- start start—Integer indicating which connection to start display. This can be a negative number. If the number selected for the start variable is greater than the number of TCP connections, nothing will be displayed
- start-count start—Integer as per above plus the count integer, specifying how many TCP connections to display from the start.

- **all**—Dump all of the sipd tcp connections. Exercise caution due to the possibility of consuming all CPU time; preferably use during a maintenance window

## Updated Show Commands

# SIP Enforcement Profile and Allowed Methods

For this feature, you use a configuration called an enforcement profile that allows you to configure sets of SIP methods that you want applied to: the global SIP configuration, a SIP interface, a realm, or a SIP session agent. The enforcement profile is a named list of allowed methods that you configure and then reference from the configuration where you want those methods applied.

## SIP Enforcement Profile Configuration

To use the enforcement profile, you need configure it with a name and the list of SIP methods you want to designate as allowed. Then you need to configure the global SIP configuration, a SIP interface, a realm, or SIP session agent to use the set.

## Setting Up and Enforcement Profile

To set up an enforcement profile:

1. In Superuser mode, type **configure terminal** and press Enter.

```
ORACLE# configure terminal  
ORACLE(configure)#
```

2. Type **session-router** and press Enter.

```
ORACLE(configure)# session-router  
ORACLE(session-router)#
```

3. Type **enforcement-profile** and press Enter.

```
ORACLE(session-router)# enforcement-profile  
ORACLE(enforcement-profile)#
```

4. **name**—Enter the name for the enforcement profile. This parameter has no default, but you must note it so that you can apply this set of allowed SIP headers in: the global SIP configuration, a SIP interface, a realm, or SIP session agent.

```
ORACLE(enforcement-profile)# name EnfProfile1
```

5. **allowed-methods**—Enter a list of SIP methods that you want to allow for this set. The default value is **none**. Valid values are:

- INVITE | REGISTER | PRACK | OPTIONS | INFO | SUBSCRIBE | NOTIFY | REFER | UPDATE | MESSAGE | PUBLISH

To enter multiple methods for the list, type the parameter name followed by a space, then the names of all methods you want to include each separated by a only a comma and in capital letters.

```
ORACLE(enforcement-profile)# allowed-methods  
INVITE,REGISTER,PRACK
```

6. Save and activate your configuration.

## Applying an Enforcement Profile

You can apply an enforcement profile to: the global SIP configuration, a SIP interface, a realm, or SIP session agent. This section shows you how to do all four. Remember that if you are adding this functionality to a pre-existing configuration, you need to select the configuration you want to edit.

To apply an enforcement profile to the global SIP configuration:

1. In Superuser mode, type **configure terminal** and press Enter.

```
ORACLE# configure terminal  
ORACLE(configure)#
```

2. Type **session-router** and press Enter.

```
ORACLE(configure)# session-router  
ORACLE(session-router)#
```

3. Type **sip-config** and press Enter.

```
ORACLE(session-router)# sip-config  
ORACLE(sip-config)#
```

4. **enforcement-profile**—Enter the name of the enforcement profile you want to apply to the global SIP configuration.
5. Save and activate your configuration.

To apply an enforcement profile to a SIP interface:

6. In Superuser mode, type **configure terminal** and press Enter.

```
ORACLE# configure terminal  
ORACLE(configure)#
```

7. Type **session-router** and press Enter.

```
ORACLE(configure)# session-router  
ORACLE(session-router)#
```

8. Type **sip-interface** and press Enter.

```
ORACLE(session-router)# sip-interface  
ORACLE(sip-interface)#
```

9. **enforcement-profile**—Enter the name of the enforcement profile you want to apply to this SIP interface.

10. Save and activate your configuration.

To apply an enforcement profile to a SIP session agent:

11. In Superuser mode, type **configure terminal** and press Enter.

```
ORACLE# configure terminal  
ORACLE(configure)#
```

12. Type **session-router** and press Enter.

```
ORACLE(configure)# session-router  
ORACLE(session-router)#
```

13. Type **session-agent** and press Enter.

```
ORACLE(session-router)# session-agent  
ORACLE(session-agent)#
```

14. **enforcement-profile**—Enter the name of the enforcement profile you want to apply to this session agent.

15. Save and activate your configuration.

To apply an enforcement profile to a realm:

16. In Superuser mode, type **configure terminal** and press Enter.

```
ORACLE# configure terminal  
ORACLE(configure)#
```

17. Type **media-manager** and press Enter.

```
ORACLE(configure)# media-manager  
ORACLE(media-manager)#
```

18. Type **realm-config** and press Enter.

```
ORACLE(media-manager)# realm-config  
ORACLE(realm-config)#
```

19. **enforcement-profile**—Enter the name of the enforcement profile you want to apply to this realm.

20. Save and activate your configuration.

## Enforcement Profile Configuration with subscribe-event

This section shows you how to configure an enforcement profile with a **subscribe-event** configuration. Remember that you can set up multiple **subscribe-event** configurations to correspond with the event types you want to control. It also shows you how to apply these limitations to a realm.

## Setting Up Subscribe Dialog Limits

Setting up subscribe dialog limits means setting up an enforcement profile. For the sole purpose of setting up the subscription event limits, you only need to configure the name parameters and then as many **subscribe-event** configurations as you require. The enforcement profile has other uses, such as SIP SDP address correlation, so only configure the parameters you need.

To configure subscribe dialog limits:

1. In Superuser mode, type **configure terminal** and press Enter.

```
ORACLE# configure terminal
ORACLE(configure)#
```

2. Type **session-router** and press Enter.

```
ORACLE(configure)# session-router
ORACLE(session-router)#
```

3. Type **enforcement-profile** and press Enter.

```
ORACLE(session-router)# enforcement-profile
ORACLE(enforcement profile)#
```

4. **name**—Enter a name for this enforcement profile. You will use this name later when you apply the enforcement profile to a realm; it is the value you enter into the **enforcement-profile** parameter in the realm configuration.

5. Still in the enforcement profile configuration, type **subscribe-event** and press Enter.

```
ORACLE(enforcement profile)# subscribe-event
ORACLE(subscribe-event)#
```

6. **event-type**—Enter the SIP subscription event type for which you want to set up limits. You can also wildcard this value (meaning that this limit is applied to all event types except the others specifically configured in this enforcement profile). To use the wildcard, enter an asterisk (\*) for the parameter value.

By default, this parameter is blank.

 **Note:**

The value you enter must be configured as an exact match of the event type expected in the SIP messages (except for the wildcard). Further, the value conforms to the event type BNF specified in RFC 3265.

7. **max-subscriptions**—Enter the maximum number of subscriptions allowed to a user for the SIP subscription event type you entered in the **event-type** parameter. Leaving this parameter set to 0 (default) means that there is no limit. You can set this parameter to a maximum value of 65535.



8. If you are entering multiple **subscribe-event** configurations, then you save them each by using the ACLI **done** command and then repeat Steps 6 and 7 to configure a new one. If you do not save each, then you will simply overwrite the first configuration repeatedly.

```
ORACLE(subscribe-event)# done
```

9. When you finish setting up **subscribe-event** configurations and have saved them, exit to return to the enforcement profile configuration.

```
ORACLE(subscribe-event)# exit
```

10. You also need to save the enforcement profile configuration.

```
ORACLE(enforcement profile)# done
```

## Applying an Enforcement Profile to a Realm

For the Oracle® Enterprise Session Border Controller to use the limits you have set up, you need to apply them to a realm.

To apply an enforcement profile to a realm:

1. In Superuser mode, type **configure terminal** and press Enter.

```
ORACLE# configure terminal
ORACLE(configure)#
```

2. Type **media-manager** and press Enter.

```
ORACLE(configure)# media-manager
ORACLE(media-manager)#
```

3. Type **realm-config** and press Enter. If you are adding this feature to a pre-existing realm configuration, you will need to select and edit your realm.

```
ORACLE(media-manager)# realm-config
ORACLE(realm-config)#
```

4. **enforcement-profile**—Enter the name of the enforcement profile you want to apply to this realm. This value corresponds to the **name** parameter in the enforcement profile configuration. This parameter has no default value.
5. Save and activate your configuration.

## P-Certificate-Subject-Common-Name to REGISTER Messages

Most Enterprises use revocation servers to authenticate certificates when user equipment registers with the Oracle® Enterprise Session Border Controller. For high security enterprises, such as government organizations, user equipment, such as a cell phone, may have a certificate installed. If the user equipment is stolen, for example, the thief could use the equipment to register with the Oracle® Enterprise

Session Border Controller and logon to the system before the certificate is revoked from the server.

The Oracle® Enterprise Session Border Controller allows you to enable or disable the addition of a User certificate in the incoming REGISTER message header. This provides an additional layer of security when the user equipment registers with the Oracle® Enterprise Session Border Controller. When the feature is enabled, the individual user certificate must match the user's identity during Registration.

You can enable or disable this feature using the “**verify-certificate-info-register**” parameter under the existing enforcement-profile object in session-router. in the ACLI. When enabled, and a REGISTER message is encountered, the Oracle® Enterprise Session Border Controller adds the User certificate information to the message header. The header is then used in validating the Request-URI Based on certificate information.

## Configure the P-Certificate-Subject-Common-Name From the ACLI

Use the following procedure to configure the P-Certificate-Subject-Common-Name on the Oracle® Enterprise Session Border Controller (E-SBC).

To configure the P-Certificate-Subject-Common-Name:

1. In Superuser mode, type **configure terminal**, and press Enter.

```
ORACLE# configure terminal
ORACLE(configure)#
```

2. Type **session-router** , and press Enter.

```
ORACLE(configure)# session-router
ORACLE(session-router)#
```

3. Type **enforcement-profile**, and press Enter.

```
ORACLE(session-router)# enforcement-profile
ORACLE(enforcement-profile)#
```

4. **add-certificate-info**—Enter sub-common name for the certificate attribute names to enable TLS certificate information caching, and for the inserting of cached certificate information into customized SIP INVITES. Default: blank. Valid values:

- sub-common name
- sub-alt-name-DNS

5. **certificate-ruri-check**—Enable this parameter if you want the E-SBC to cache TLS certificate information and use it to validate Request-URIs. Enabling this parameter allows the E-SBC to cache the TLS certificate information in a customized SIP INVITE. Default: disabled. Valid values:

- enabled
- disabled

6. **verify-certificate-info-register** —Select whether or not to allow the E-SBC to add certificate information to the header of a REGISTER message for verifying a ruri against certificate attributes. Default: disabled. Valid values:

- enabled
  - disabled
7. Type **done**, and press Enter.  

```
ORACLE(enforcement-profile)# done
ORACLE(enforcement-profile)#
```
  8. Type **exit**, and press Enter.  

```
ORACLE(enforcement-profile)# exit
ORACLE(session-router)#
```
  9. Save the configuration.

## Local Policy Session Agent Matching for SIP

When you enable the local policy session agent matching option in your global SIP configuration, you change the way local policies match session agents. Normally, the Oracle® Enterprise Session Border Controller looks up and stores matched session agents configured as next hops so it does not need to perform the lookup while processing requests. In this type of matching, the Oracle® Enterprise Session Border Controller does take the realm set in the local policy attributes into consideration. When the Oracle® Enterprise Session Border Controller performs its regular matching method and you have enabled overlapping IP addresses for session agents, the Oracle® Enterprise Session Border Controller might match session agents to different realms than the ones you intended when creating your configuration.

Local policy session agent matching provides a way to match session agents differently, taking realms and nested realms into consideration during the matching process. This difference is key to deployments with multiple peering partners that use the overlapping IP address feature, and have multiple local policies routing to the same IP address in different realms where some target next hops require session constraints but others do not. In the cases where no session constraints are required, session agents are not needed. But session agents still match the local policy, applying their constraints, because they match the next hop IP address.

In addition to modifying this behavior, this feature also affects the use of realms and nested realms. It triggers the use not only of realms, but of all the realms nested however deeply—thereby improving matching efficiency.

You can set the local policy session agent matching option with values that define how the Oracle® Enterprise Session Border Controller performs session agent matching:

- **any**—The Oracle® Enterprise Session Border Controller looks up and stores matched session agents configured as next hops so it does not need to perform the lookup while processing requests, without regard to realms. This behavior is the default when the SIP configuration does not have the local policy session agent matching option set.
- **realm**—The Oracle® Enterprise Session Border Controller selects session agents in the realm that the local policy attribute indicates; this provides an exact match, rather than not taking the realm into consideration during session agent selection. For example, the session agent is a match if the session agent **realm-id** and the local policy attribute **realm** parameters are an exact match.

- **sub-realm**—Session agents in the same realm or the same realm lineage—where session agents and realms are related to one another via realm parent-child relationships no matter the depth of realm nesting configured  
For example, the session agent is a match if the local policy attribute **realm** is a sub-realm of the realm specified in the session agent **realm-id** parameter.
- **interface**—Session agents in the same realm or same realm lineage via the realm set in the local policy attribute, and whose realm uses the same signaling interface as the realm set in the local policy attribute  
For example, the session agent is a match if the session agent **realm-id** is a sub-realm of the local policy attribute **realm**, and both referenced realms use the same SIP signaling interface.
- **network**—Session agents whose realm is in the realm lineage for the same realm set in the local policy attributes, and whose realm is associated with the same network interface as the realm set in the local policy attributes  
For example, the session agent is a match if the session agent **realm-id** is a sub-realm of the local policy attribute **realm**, and realm reference by both use the same network interface.

If it cannot find a match, the Oracle® Enterprise Session Border Controller will use the IP address as the next hop. Further, requests matching local policy attributes will not be associated with session agents, and so their constraints will not be applied.

The Oracle® Enterprise Session Border Controller stores session agent information that it looks up when performing local policing session agent matching. To perform the lookup, it uses the session agent hostname as a key. When the hostname is an FQDN and there is a configured IP address in the **ip-address** parameter, the Oracle® Enterprise Session Border Controller uses the ip-address value as a secondary key. Given this implementation, the following are true when selecting session agents:

- If multiple session agents share the same IP address, the one with an IP address in the hostname parameter takes precedence.
- If all session agents with the same IP address have an FQDN as their hostname, the one whose name is alphabetically lower will take precedence, where alphabetically lower means earlier in the alphabet (closer to A than to Z).
- For non-global session agents (whose realms are configured but not wildcarded) with an IP address, the Oracle® Enterprise Session Border Controller uses a key that is a combination of the IP address and the realm in the form <address>:<realm>.
- For a session agent whose realm has a parent realm, the Oracle® Enterprise Session Border Controller uses a combination of the IP address, realm, and realm-path (or lineage for the realm) in the form <address>:<realm-path>. For example, the realm path for a realm core3 with a parent core2, which in turn has a parent core would be core:core2:core3.

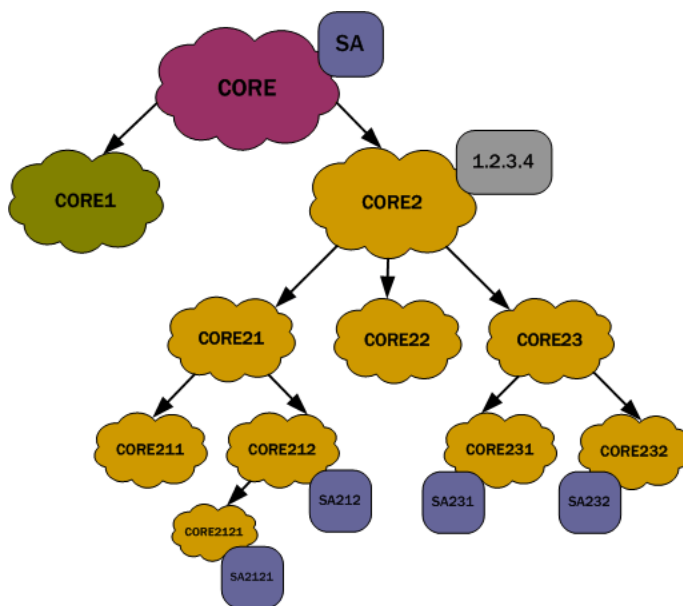
When it looks up a session agent with a realm, the Oracle® Enterprise Session Border Controller first searches for an exact match for the IP address and realm combination. If this fails, it performs a second search if the desired realm has parents or children. The Oracle® Enterprise Session Border Controller locates an entry in its repository of session agent information that is greater than or equal to the IP address with the base realm, which is the ancestor of the desired realm without a parent. Having gathered this set of candidates, the Oracle® Enterprise Session Border Controller narrows down the search for a match by comparing sub-realms and determines there is a match if either:

- The desired realm path is a sub-string of the entry's realm path, or

- The entry's realm path is a substring of the desired realm path (i.e., the desired realm is a sub-realm of the entry's realm)

Then the Oracle® Enterprise Session Border Controller orders the candidates by depth of the entry's realm-path, or number of levels from the base realm relative to the depth of the desired realm. By searching the ordered set until the entry's realm depth equals the desired realm's depth, the Oracle® Enterprise Session Border Controller determines a parent candidate, all subsequent entries being sub-realms of the desired realm. The Oracle® Enterprise Session Border Controller only considers entries at the first level deeper than the desired realm. If at this point there is only one entry, the Oracle® Enterprise Session Border Controller deems it a match. Otherwise, it selects the parent candidate as the matching entry. In the event the search does not yield a matching realm, the Oracle® Enterprise Session Border Controller uses the global session agent for the IP address, if there is one.

The following diagram shows the realm tree, where the clouds are realms and squares are session agents, representing a group of session agents sharing the IP address 1.2.3.4. The Oracle® Enterprise Session Border Controller searches for the session agents lower in the tree along the session agent realm-path and the desired realm.



For the diagram above, the following shows how the hostname would look for this group of session agents.

Key	Session Agent (hostname[realm])
1.2.3.4 (This session agent owns the primary key for the IP address because its hostname is the IP address.)	1.2.3.4[CORE2]
1.2.3.4:CORE (IP+realm key entry)	SA[CORE]
1.2.3.4:CORE (IP+realm key entry)	1.2.3.4[CORE2]

Key	Session Agent (hostname[realm])
1.2.3.4:CORE212 (IP+realm key entry)	SA212[CORE212]
1.2.3.4:CORE2121 (IP+realm key entry)	SA2121[CORE2121]
1.2.3.4:CORE231 (IP+realm key entry)	SA231[CORE231]
1.2.3.4:CORE232 (IP+realm key entry)	SA232[CORE232]
1.2.3.4:CORE: (IP+realm-path key entry)	SA[CORE]
1.2.3.4:CORE:CORE2: (IP+realm-path key entry)	1.2.3.4[CORE2]
1.2.3.4:CORE2:CORE21:CORE212 (IP+realm-path key entry)	SA212[CORE212]
1.2.3.4:CORE2:CORE21:CORE212:CORE21 21 (IP+realm-path key entry)	SA2121[CORE2121]
1.2.3.4:CORE2:CORE23:CORE231 (IP+realm-path key entry)	SA231[CORE231]
1.2.3.4:CORE2:CORE23:CORE232 (IP+realm-path key entry)	SA232[CORE232]

For each realm in the table above, the search results for each realm would look like this:

IP Address	Realm	Session Agent (hostname[realm])
1.2.3.4	CORE	SA[CORE]
1.2.3.4	CORE2	1.2.3.4[CORE2]
1.2.3.4	CORE21	SA212[CORE212]
1.2.3.4	CORE211	1.2.3.4[CORE2]
1.2.3.4	CORE212	SA212[CORE212]
1.2.3.4	CORE2121	SA2121[CORE2121]
1.2.3.4	CORE22	1.2.3.4[CORE2]
1.2.3.4	CORE23	1.2.3.4[CORE2]
1.2.3.4	CORE231	SA231[CORE231]
1.2.3.4	CORE232	SA232[CORE232]

## Local Policy Session Agent Matching Configuration

When you enable local policy session agent matching, remember that you can choose from five different ways to use the feature: **all**, **realm**, **sub-realm**, **interface**, and **network**.

This example shows you how to use the **realm** selection.

To enable local policy session agent matching using the realm method:

1. In Superuser mode, type **configure terminal** and press Enter.

```
ORACLE# configure terminal  
ORACLE(configure)#
```

2. Type **session-router** and press Enter.

```
ORACLE(configure)# session-router  
ORACLE(session-router)#
```

3. Type **sip-config** and press Enter.

```
ORACLE(session-router)# sip-config  
ORACLE(sip-config)#
```

4. **options**—Set the options parameter by typing options, a Space, the option name **lp-sa-match=X (where X is the local policy session agent matching method you want to use)** with a plus sign in front of it. Then press Enter.

Remember that if you do not specify a method, the system uses the **all** method.

```
ORACLE(sip-config)# options +lp-sa-match=realm
```

If you type **options** and then the option value for either of these entries without the plus sign, you will overwrite any previously configured options. In order to append the new options to this configuration's options list, you must prepend the new option with a plus sign as shown in the previous example.

5. Save and activate your configuration.
  - **Unordered**—Meaning that the endpoint can deliver data within regard for their stream sequence number

You set this preference in the network parameters configuration.

## SCTP Delivery Mode Configuration

To set the SCTP delivery mode:

1. In Superuser mode, type **configure terminal** and press Enter.

```
ACMEPACKET# configure terminal  
ACMEPACKET(configure)#
```

2. Type **system** and press Enter.

```
ACMEPACKET(configure)# system  
ACMEPACKET(system)#
```

3. Type **network-parameters** and press Enter.

```
ACMEPACKET(system)# network-parameters  
ACMEPACKET(network-parameters)#
```

4. **sctp-send-mode**—Leave this parameter set to its default (unordered) so data delivery can occur without regard to stream sequence numbering. If data delivery must follow stream sequence number, change this parameter to **ordered**.
5. Save and activate your configuration.

## About Wildcarding

The Oracle® Enterprise Session Border Controller supports wildcarding the event type in the **subscribe-event** configuration. To wildcard the value, you enter an asterisk (\*) for the **event-type** parameter instead of typing in the name of an actual event type.

When you wildcard this value, the Oracle® Enterprise Session Border Controller applies the subscription limitations you set across all event types. Or, if you have entered multiple subscribe-event configurations, the Oracle® Enterprise Session Border Controller applies the wildcard limits across the event types for which you have not set limits.

Consider the following example of a configured enforcement profile with a wildcarded **subscribe-event** configuration:

```
enforcement-profile
  name                rulefour
  allowed-methods
  sdp-address-check   disabled
  subscribe-event
    event-type        *
    max-subscriptions 1
  subscribe-event
    event-type        xyz
    max-subscriptions 0
  last-modified-by    admin@console
  last-modified-date  2008-11-11 12:49:27
```

In this example, the enforcement profile allows all subscriptions that are event type xyz for a user. But it allows only one maximum for every other subscription event type.

## Monitoring

You can display the number of subscription dialogs per SUBSCRIBE event type using the ACLI **show registration sipd subscriptions-by-user** command. You can display this information per event type, or you can show data for all event types by wildcarding the event type argument.

## STUN Server

The Oracle® Enterprise Session Border Controller supports RFC 3489, which defines Simple Traversal User Datagram Protocol (UDP) through Network Address Translators (NATs). Known as STUN, this lightweight protocol that allows applications to:

- Discover the presence and types of both NATs and firewalls between themselves and the public Internet
- Determine the public IP addresses allocated to them by the NAT



SIP endpoints use the STUN protocol to find out the public IP addresses and ports for SIP signaling and RTP media transport. Then they can use the address and port information to create multimedia sessions with other endpoints on the public network.

You can define STUN servers functionality on a per-realm basis, allowing you set up multiple STUN servers.

## About STUN Messaging

STUN messages uses six messages, three of which are used for Binding and three of which are uses for the Shared Secret. While it supports all three Binding messages (request, response, and error), the Oracle® Enterprise Session Border Controller does not support the Shared Secret Request or the message integrity mechanism that relies on the shared secret. When acting as a STUN server, the Oracle® Enterprise Session Border Controller responds to STUN binding requests in accordance with RFC 3489 and the rfc3489bis draft.

STUN messages can contain the following attributes:

Message Type	Attribute Description
MAPPED-ADDRESS	Appears in the Binding Response; contains the source IP address and port from which the Binding Request was sent to the STUN server.
XOR-MAPPED-ADDRESS	Appears in the Binding Response; contains the MAPPED-ADDRESS information encoded in a way the prevents intelligent NAT devices from modifying it as the response goes through the NAT.
SOURCE-ADDRESS	Appears in the Binding Response; contains the IP address and port from which the STUN server sent its response.
CHANGED-ADDRESS	Appears in the Binding Response; contains an alternate STUN server IP address and port, different from the primary STUN server port. The STUN client might use this attribute to perform the NAT tests described in RFC 3489.
CHANGE-REQUEST	Appears in the Binding Request; instructs the STUN server to send its response from a different IP address and/or port. The STUN client might use this attribute to perform the NAT tests described in RFC 3489.
RESPONSE-ADDRESS	Appears in the Binding Request; defines an IP address and port to which the STUN server should send its responses. Appears in the Binding Request;
REFLECTED-FROM	Appears in the Binding Response; reflects the IP address and port from which a Binding Request came. Only included when the Binding Request has used the RESPONSE-ADDRESS attribute.
UNKNOWN-ATTRIBUTES	Appears in the Binding Error; reflects the mandatory attributes in a Binding Request message that the server does not support.
ERROR-CODE	Appears in the Binding Error; indicates an error was detected in the Binding Request, and contains an error code and reason phrase.

To perform NAT discovery, the endpoint (STUN client) sends a Binding Request to the STUN server port (IP address and port) with which it is configured. The STUN server then returns either a;

- Binding Response—Allows the transaction to proceed

- Binding Error—Halts the transaction, and prompts the client to take the action appropriate to the response given in the ERROR-CODE attribute

When the transaction proceeds and the STUN server sends the Binding Response, that response contains the MAPPED-ADDRESS attribute, which contains the IP address and port from which the server received the request. The STUN client then uses the MAPPED-ADDRESS when sending signaling messages.

For example, a SIP endpoint sends Binding Requests from its SIP port to determine the public address it should place in SIP headers, like the Via and Contact, of the SIP requests it sends. When this SIP endpoint prepares to make or answer a call, it sends Binding Requests from its RTP port to find out the public address it should place in SDP included in an INVITE request or response.

## STUN Server Functions on the Oracle® Enterprise Session Border Controller

When the Oracle® Enterprise Session Border Controller receives a STUN message, it first determines its message type. Only STUN Binding Requests are processed, and all other message types are dropped without response.

Then the Oracle® Enterprise Session Border Controller examines the Binding Request's STUN attributes. It returns error responses if it finds any unsupported mandatory attributes. This takes the form of a Binding Error Response, containing the ERROR-CODE attribute with reason 420 (Unknown Attribute) and an UNKNOWN-ATTRIBUTES attribute with a list of the unsupported attributes. If the Oracle® Enterprise Session Border Controller receives a Binding Request with attributes that do not belong in STUN Binding Requests, it returns the Binding Error Response with the ERROR-CODE attribute with reason 400 (Bad Request).

Next the Oracle® Enterprise Session Border Controller determines whether to follow RFC 3489 procedures or rfc3489bis procedures. If the Transaction ID contains the STUN cookie, then the Oracle® Enterprise Session Border Controller follows rfc3489bis procedures; if not, it follows RFC 3489 procedures. Because it defines the procedures for testing the NAT to see what type of NAT it is, RFC 3489 procedures are most complex. Issues with reliability of those results have caused testing procedures and attributes to be deprecated in fc3489bis.

## RFC 3489 Procedures

The Oracle® Enterprise Session Border Controller (the STUN server) constructs the Binding Response and populates it with these attributes:

- MAPPED-ADDRESS and (optionally) XOR-MAPPED-ADDRESS—Containing the source IP address and port from which the server saw the request come
- SOURCE-ADDRESS—Containing the IP address and port from which the server will send the Binding Response
- CHANGED-ADDRESS—Containing the STUN server port that has a different address and different port from the ones on which the server request was received

If the Binding Request contains a RESPONSE-ADDRESS attribute, the server adds the REFLECTED-FROM attribute with the IP address and port from which the server saw the request come. Then the server sends the Binding Response to the IP address and port in the RESPONSE-ADDRESS attribute. If the RESPONSE-

ADDRESS attribute's IP address and port are invalid, the server sends a Binding Error Response with an ERROR-CODE attribute reason 400 (Bad Request) to the client.

If the Binding Request contains a CHANGE-REQUEST attribute, the server sends Binding Response from the IP address and port matching the information in the CHANGE-REQUEST. The following variations can occur:

- If the IP address and port flags are set, the server selects the server port with a different IP address and different port.
- If only the IP address flag is set, the server selects the server port with a different IP address but with the same port.
- If only the port flag is set, the server selects the server port with the same IP address but with a different port.

The selected server port appears in the Binding Responses's SOURCE-ADDRESS attribute. When there is no CHANGE-REQUEST attribute, the server uses the server port on which the Binding Request was received.

Finally, the server encodes the outgoing message and sends it to the client at either:

- The destination IP address and port in the RESPONSE-ADDRESS attribute, if it was present in the Binding Request.
- The MAPPED-ADDRESS.

## rfc3489bis Procedures

If the Binding Request contains the appropriate cookie in its Transaction ID, the server constructs a Binding Response populated with the XOR-MAPPED-ADDRESS attribute. That attribute will contain the source IP address and port from which the server saw the request come. Then the server encodes and sends the message to the client from the IP address and port on which the request was received. The message is sent to the IP address and port from which the request came.

## Monitoring

- STUN Server Statistics—You can display statistics for the STUN server using the ACLI **show mbcd stun** command when the STUN server has been enabled. However, if the STUN server has not been enabled since the last system reboot, the command does not appear and no statistics will be displayed.
- STUN Protocol Tracing—You can enable STUN protocol tracing two ways: by configuration or on demand.
  - By configuration—The Oracle® Enterprise Session Border Controller's STUN protocol trace file is called `stun.log`, which is classified as a call trace. This means that when the system configuration's call-trace parameter is set to enabled, you will obtain STUN protocol information for the system. As with other call protocol traces, tracing data is controlled by the log-filter in the system configuration.
  - On demand—Using the ACLI **notify mbcd log** or **notify mbcd debug** commands, you enable protocol tracing for STUN. Using **notify mbcd debug** sets the STUN log level to TRACE. You can turn off tracing using the **notify mbcd onlog** or **notify mbcd nodebug** commands. Using **notify mbcd nodebug** returns the STUN log level back to its configured setting.

## STUN Server Configuration

You configured STUN servers on a per-realm basis, one server per realm. To support that various NAT tests it describes, RFC 3489 requires that two different IP addresses and two different UDP port numbers be used for each server. So your STUN server will listen on a total of four STUN server ports. Although newer work does away with this requirement, the Oracle® Enterprise Session Border ControllerC supports it for the purpose of backwards compatibility.

For each realm configuration with an enabled STUN server, untrusted ACL entries will be added to forward all packets received on the four STUN Server Port.

To enable STUN server support for a realm:

1. In Superuser mode, type **configure terminal** and press Enter.

```
ORACLE# configure terminal
ORACLE(configure)#
```

2. Type **media-manager** and press Enter.

```
ORACLE(configure)# media-manager
ORACLE(media-manager)#
```

3. Type **realm-config** and press Enter. If you are adding this feature to a pre-existing realm configuration, you will need to select and edit your realm.

```
ORACLE(media-manager)# realm-config
ORACLE(realm-config)#
```

4. **stun-enable**—Set this parameter to **enabled** to turn STUN server support for this realm on. This parameter defaults to **disabled**, meaning STUN server support is off.
5. **stun-server-ip**—Enter the IP address for the primary STUN server port. The default for this parameter is 0.0.0.0.
6. **stun-server-port**—Enter the port to use with the **stun-server-ip** for primary STUN server port. The default is 3478.
7. **stun-changed-ip**—Enter the IP address for the CHANGED-ADDRESS attribute in Binding Requests received on the primary STUN server port. This IP address must be different from than the one defined for the **stun-server-ip** parameter. The default for this parameter is 0.0.0.0.
8. **stun-changed-port**—Enter the port combination to define the CHANGED-ADDRESS attribute in Binding Requests received on the primary STUN server port. The default for this parameter is 3479.
9. Save and activate your configuration.

## SIP ISUP Features

This section describes the Oracle® Enterprise Session Border Controller's feaures for SIP ISUP.

## SIP Diversion to SIP-ISUP Interworking

For networks in which there are devices that do not support SIP-T or SIP-I (and support native SIP alone), the (E-SBC) supports SIP Diversion interworking. This feature enables such devices to function properly in instances that require SIP-T/SIP-I style ISUP Initial Address Mapping (IAM) message encapsulation in ISUP requests, and to receive any call forwarding information in the IAM according to ISUP standards.

The E-SBC interworks a SIP INVITE request to SIP-T one by inserting an ISUP IAM body based on the INVITE; this includes redirection information based on the Diversion header. This feature can also perform the reverse translation. That is, it can interwork a SIP INVITE that does have the ISUP IAM body to a non-ISUP INVITE. In this case, the E-SBC generates the necessary Diversion headers based on the IAM's Redirection information.

## SIP-ISUP Configuration

To use this feature, you set up:

- `sip-profile`—Defines the redirection behavior
- `sip-isup-profile`—Defines the ISUP version to use when supporting SIP-T

You can then apply these profiles to realms, session agents, and SIP interfaces where you want this feature enabled.

The **sip-profile** configuration contains information that defines redirection behavior for the configuration where you apply it. You can set the redirection behavior to: **none**, **isup**, or **redirection**. You also uniquely identify the profile so that you can apply it by name in other configurations. This is a multiple-instance configuration, meaning that you can set up as many SIP profiles as needed.

To set up a SIP profile:

1. In Superuser mode, type **configure terminal** and press Enter.

```
ORACLE# configure terminal  
ORACLE(configure)#
```

2. Type **session-router** and press Enter.

```
ORACLE(configure)# session-router  
ORACLE(session-router)#
```

3. Type **sip-profile** and press Enter.

```
ORACLE(session-router)# sip-profile  
ORACLE(sip-profile)#
```

4. **name**—Enter the name of the SIP profile. You will use this name when you apply this profile to realms, session agents, and SIP interfaces. This parameter is required, and it has no default value.
5. **redirection**—Choose the redirection mode you want to use: **none** (default), **isup**, or **redirection**. The **inherit** value is reserved for future use. Note that when you set this parameter to **isup**, you should configure along with it a SIP ISUP profile;

this will avoid any possible incompatibility when support for this feature expands (as expected).

6. Save your work.

## SIP ISUP Profile Configuration

To set up a SIP ISUP profile:

1. In Superuser mode, type **configure terminal** and press Enter.

```
ORACLE# configure terminal
ORACLE(configure)#
```

2. Type **session-router** and press Enter.

```
ORACLE(configure)# session-router
ORACLE(session-router)#
```

3. Type **sip-isup-profile** and press Enter.

```
ORACLE(session-router)# sip-isup-profile
ORACLE(sip-isup-profile)#
```

4. **name**—Enter the name of the SIP ISUP profile. You will use this name when you apply this profile to realms, session agents, and SIP interfaces. This parameter is required, and it has no default value.
5. **isup-version**—Specify the ISUP version you want used in this profile in order to support SIP-T: **ansi-2000** (default) or **itu-99**.
6. Save your work.

## Apply Your Profiles to a Session Agent

When you want to enable this feature for a realm, session agent, or SIP interface, you configure the **sip-profile** and **sip-isup-profile** parameters with the name of the profile you want applied.

The following example shows this feature being applied to a session agent, but the realm and SIP interface configurations also have the same two parameters you use to set up the feature.

To apply a SIP profile and a SIP ISUP profile to a session agent:

1. In Superuser mode, type **configure terminal**, and press Enter.

```
ORACLE# configure terminal
ORACLE(configure)#
```

2. Type **session-router**, and press Enter.

```
ORACLE(configure)# session-router
ORACLE(session-router)#
```

3. Type **session-agent** , and press Enter.

```
ORACLE(session-router)# session-agent
ORACLE(session-agent)#
```

4. **sip-profile**—Enter the name of the SIP profile, which defines the redirection behavior. This is the value you entered in the **name** parameter of the SIP profile configuration. This parameter has no default value.
5. **sip-isup-profile**—Enter the name of the SIP ISUP profile, which defines the ISUP version to use for SIP Diversion SIP-ISUP interworking. This is the value you entered in the **name** parameter of the SIP ISUP profile configuration. This parameter has no default value.
6. Save your work.

## SIP-ISUP Format Version Interworking

ISUP message can be carried in SIP messages through either a standard body or through a multipart MIME encoded body. While ANSI and ITU are the two major groups, but each contains many specific variants. To facilitate instances where two sides of a call use different versions, the Oracle® Enterprise Session Border Controller supports interworking between the following SIP ISUP formats: ANSI, ITU, ETSI-356 (an ITU variant), and GR-317 (an ANSI variant). To do so, the Oracle® Enterprise Session Border Controller can move, delete, and add parameters to various sections of the message.

### Details

The ISUP message version is determine by one of two things: the content type of the SIP message or the MIME content-type. When the base and version parameters do not match, the Oracle® Enterprise Session Border Controller first uses the base parameter value to determine the format. If there is no base, the Oracle® Enterprise Session Border Controller then checks the version parameter. And if there is neither, the Oracle® Enterprise Session Border Controller uses the **isup-version** configured in the **sip-isup-profile** configuration from the inbound realm, session agent, or SIP interface. Available values for that parameter are **ansi-2000**, **itu-99**, **gr-317**, or **etsi-356**. The Oracle® Enterprise Session Border Controller considers unknown any value for the version that fails to match one of these or is missing.

Messages that contain an unknown ISUP format pass through the Oracle® Enterprise Session Border Controller untouched. If there are operations to be performed on them, however, SIP ISUP HMR will take place. After the body has been converted, the Oracle® Enterprise Session Border Controller updates both the base and version parameters of the content-type.

Custom formats are not supported.

## SIP-ISUP Format Interworking Configuration

This section show you how to set up a SIP-ISUP format interworking. First, you configure a SIP ISUP profile, and then you apply it to a realm, session agent or SIP interface.

To set up a SIP ISUP profile:

1. In Superuser mode, type **configure terminal** and press Enter.

```
ORACLE# configure terminal  
ORACLE(configure)#
```

2. Type **session-router** and press Enter.

```
ORACLE(configure)# session-router  
ORACLE(session-router)#
```

3. Type **sip-isup-profile** and press Enter.

```
ORACLE(session-router)# sip-isup-profile  
ORACLE(sip-isup-profile)#
```

4. **name**—Enter the name of the SIP ISUP profile. You will use this name when you apply this profile to realms, session agents, and SIP interfaces. This parameter is required, and it has no default value.
5. **isup-version**—Specify the ISUP version you want to which you want to convert: **ansi-2000**, **itu-99**, **gr-317**, or **etsi-356**.
6. **convert-isup-format**—Set this parameter to **enabled** if you want to perform SIP ISUP format version interworking. The default is **disabled**, meaning that this feature is turned off.
7. Save your work.

## Apply a SIP ISUP Profile to a Session Agent

When you want to enable this feature for a realm, session agent, or SIP interface, you configure the **sip-isup-profile** parameter with the name of the profile you want applied.

The following sample shows this feature being applied to a session agent, but the realm and SIP interface configurations also have the same parameter you use to set up the feature.

To apply a SIP profile and a SIP ISUP profile to a session agent:

1. In Superuser mode, type **configure terminal**, and press Enter.

```
ACMEPACKET# configure terminal  
ACMEPACKET(configure)#
```

2. Type **session-router**, and press Enter.

```
ACMEPACKET(configure)# session-router  
ACMEPACKET(session-router)#
```

3. Type **session-agent**, and press Enter.

```
ACMEPACKET(session-router)# session-agent  
ACMEPACKET(session-agent)#
```



4. **sip-isup-profile**—Enter the name of the SIP ISUP profile, which defines the ISUP version to convert to. This is the value you entered in the **name** parameter of the SIP ISUP profile configuration. This parameter has no default value.
5. Save your work.

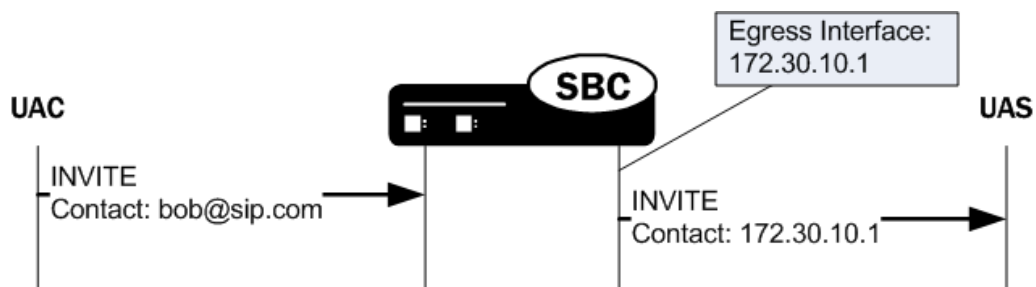
## SIP GRUU

SIP Globally Routable User Agent (UA) URIs (GRUU) are designed to reliably route a SIP message to a specific device or end user. This contrasts with a SIP AoR which can refer to multiple UAs for a single user, thus contributing to routing confusion. The Oracle® Enterprise Session Border Controller can perform different behaviors when it finds SIP GRUUs in Contact headers.

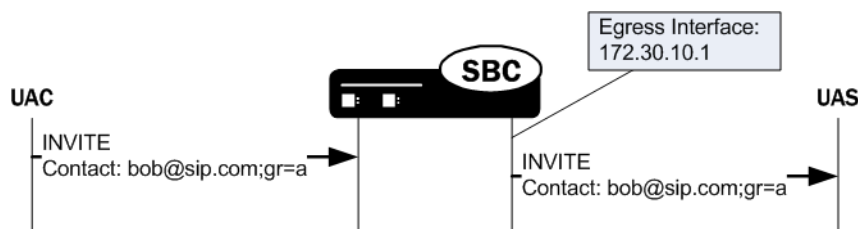
User agents supporting GRUU include a GRUU-identifying parameter in the Contact header of dialog forming and target refresh requests. The Oracle® Enterprise Session Border Controller scans for the GRUU parameter in the Contact header either when the message is received on a realm or interface configured for registered endpoints or when the `pass-gruu-contact` parameter is enabled. Configure an interface for registered endpoints by enabling `nat-traversal` or `registration caching`.

## Contact Header URI Replacement

When no GRUU is encountered in the contact header, and when a SIP message is forwarded to the egress realm, the contact header's URI is replaced with the Oracle® Enterprise Session Border Controller's egress interface. For example:



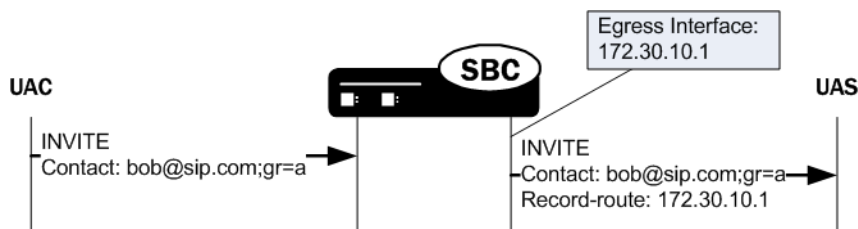
When the Oracle® Enterprise Session Border Controller forwards a request where the original Contact header contains a GRUU, the contact header's URI is forwarded unchanged on the egress side of the call. For example:



## Record-Route Addition

When the request is forwarded to a realm where the endpoint's registrar does not exist, the Oracle® Enterprise Session Border Controller adds a Record-Route header containing the egress SIP interface address. This causes subsequent replies or

requests addressed to the GRUU to be routed through the Oracle® Enterprise Session Border Controller first.



When the request is forwarded to the realm where the registrar exists, adding the Record-Route header is unnecessary and does not occur. This is because subsequent requests are directed to the registrar which will ultimately forward them to the Oracle® Enterprise Session Border Controller using the registered Contact in the Request-URI.

## GRUU URI Parameter Name

The Oracle® Enterprise Session Border Controller scans for a `gr` URI parameter in the contact header to identify it as a GRUU as defined in the ietf draft[2]. The Oracle® Enterprise Session Border Controller can be configured to scan for a `gruu` URI parameter in the contact header too. This alternate behavior is enabled with the `scan-for-ms-gruu` option and is used to interact with the Microsoft Office Communications Server unified communications product. When `scan-for-ms-gruu` is enabled, the Oracle® Enterprise Session Border Controller scans first for the `gruu` URI parameter. If not found, it then scans for `gr` URI parameter.

## SIP GRUU Configuration

This section shows you how to configure the GRUU support for non-registered contacts. Enabling GRUU functionality to parse for `gr` URI parameter rather than the IETF standard `gruu` parameter is also provided.

To configure SIP GRUU functionality:

1. In Superuser mode, type **configure terminal** and press Enter.

```
ORACLE# configure terminal
ORACLE(configure)#
```

2. Type **session-router** and press Enter.

```
ORACLE(configure)# session-router
ORACLE(session-router)#
```

3. Type **sip-config** and press Enter.

```
ORACLE(session-router)# sip-config
ORACLE(sip-config)#
```

If you are adding this feature to an existing configuration, you need to select the configuration (using the ACLI **select** command) before making your changes.

4. **pass-gruu-contact**—Set this parameter to enabled to parse for gr URI parameter in the contact header in non-registered endpoints' messages and then pass the messages through the system.
5. **options**—Set the options parameter by typing **options**, a Space, the option name **scan-for-ms-gruu**. This option forces the Oracle® Enterprise Session Border Controller to first scan for the gruu URI parameter, then the gr URI parameter.
6. Save and activate your configuration.

## SIP Session Timer Feature

SIP does not have a keepalive mechanism for established sessions and it does not have the capability of determining whether a session is still active. User agents (UAs) may be able to determine whether a session has timed out by using session specific mechanisms, but proxies cannot always determine when sessions are still active.

The Oracle® Enterprise Session Border Controller provides a SIP session timer feature that, when enabled, forwards the re-INVITE or UPDATE requests from a User Agent Client (UAC) to a User Agent Server (UAS) in order to determine whether or not a session is still active. This refresh feature works for both UAs and proxies. The following paragraphs provide additional information about the session timers on the Oracle® Enterprise Session Border Controller.

### How the Session Timer Feature Works

During an active SIP call session, when a UA fails to send a BYE message at the end of the session, or when the BYE message gets lost due to network problems, the proxy cannot determine when the session has ended. Therefore, the proxy may hold onto resources associated with the call session for indefinite periods of time causing the session to never time out.

The SIP session timer feature adds the capability to periodically refresh SIP sessions by sending repeated INVITE (re-INVITE) or UPDATE Session Refresh Requests. These requests are sent during active call legs to allow UAs or proxies to determine the status of a SIP session. The Session Refresh Requests along with the session timers determine if the active sessions stay active and completed sessions are terminated.

When you enable the session timer feature on the Oracle® Enterprise Session Border Controller, it periodically sends out a Session Refresh Request (re-INVITE or UPDATE). The Response that is returned to the Oracle® Enterprise Session Border Controller contains a success status code (2xx) that contains a session timer interval. The Oracle® Enterprise Session Border Controller then refreshes the session timer each time it receives the 2xx Response containing that session timer interval.

The initial INVITE message sent from the UAC to the UAS contains two fields that make up the session timer interval in the SIP Session Header:

- Session-Expires (SE) - Specifies the maximum amount of time, in seconds, that can occur between session refresh requests in a dialog before the session is considered timed out.
- Minimum-SE (Min-SE) - Specifies the minimum allowed value, in seconds, for the session expiration.

The following displays the session timer interval values inserted in the SIP session INVITE message per RFC 4028:

```
INVITE sip:9109621001@192.168.200.99 SIP/2.0
Via: SIP/2.0/UDP
192.168.200.49:5060;branch=z9hG4bK0g6t23200gd0res41580.1
Max-Forwards: 69
From: <sip:rick@192.168.1.48>;tag=SDr08od01-188c3fbc-b01a-4d68-
b741-09e5dc98a064
To: sip:149@192.168.1.49
Contact: <sip:rick@192.168.200.49:5060;transport=udp>
Call-ID: SDr08od01-9c12b48e3b0f7fad39ff3a2e0ced5ed3-v3000i1
CSeq: 3941 INVITE
Allow: INVITE, ACK, BYE, CANCEL, UPDATE, PRACK
Supported: timer
Session-Expires: 1800
Min-SE: 90
Content-Type: application/sdp
Content-Length: 236

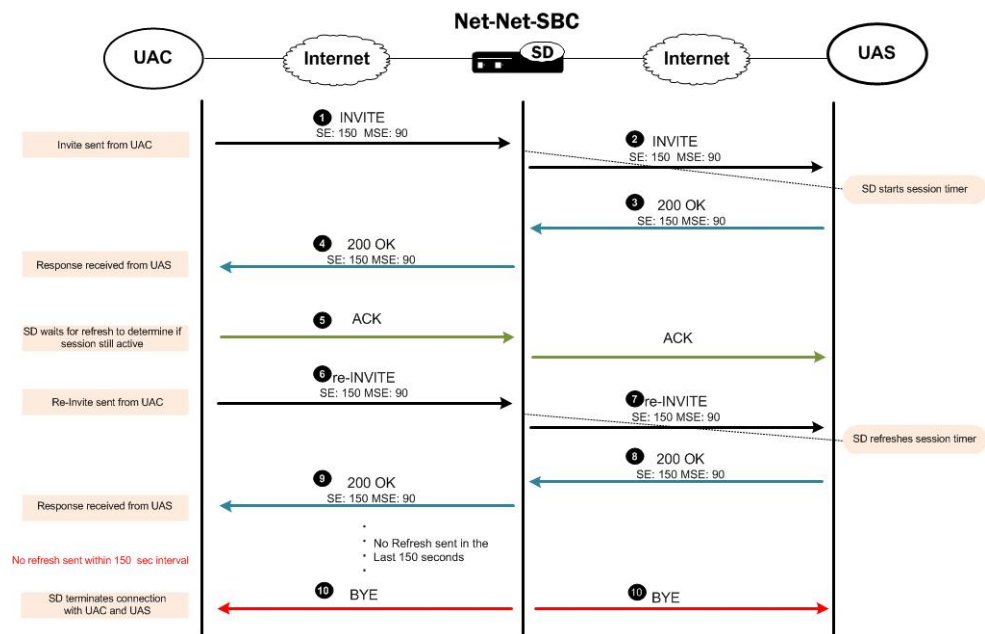
v=0
o=- 3462189550 3462189550 IN IP4 192.168.200.49
s=pjmedia
c=IN IP4 192.168.200.49
t=0 0
m=audio 20000 RTP/AVP 0 8 101
a=rtpmap:0 PCMU/8000
a=rtpmap:8 PCMA/8000
a=sendrecv
a=rtpmap:101 telephone-event/8000
a=fmtp:101 0-15
```

If the Oracle® Enterprise Session Border Controller receives an INVITE from the UAC with a Session-Expires header, it starts a new session timer, or refreshes an existing session timer and then forwards the INVITE to the UAS. The subsequent 2xx Responses and re-INVITES also include the session timer intervals. If the Oracle® Enterprise Session Border Controller does not receive a session refresh within the time specified in the session timer interval, the session timer expires, and the Oracle® Enterprise Session Border Controller terminates the session between the UAC and the UAS.

The following occurs when you enable the session timer feature on the Oracle® Enterprise Session Border Controller:

1. The UAC sends an INVITE to the Oracle® Enterprise Session Border Controller with the SE and min-SE values (session timer interval). The Oracle® Enterprise Session Border Controller starts a session timer.
2. The Oracle® Enterprise Session Border Controller forwards the INVITE to the User Agent Server (UAS) with the same values.
3. The UAS sends the 200 OK Response to the Oracle® Enterprise Session Border Controller with the session interval values.
4. The Oracle® Enterprise Session Border Controller forwards the Response to the UAC.

5. The UAC sends an ACK (Acknowledge) to the Oracle® Enterprise Session Border Controller, and the Oracle® Enterprise Session Border Controller forwards the ACK to the UAS.
6. The UAC sends out a re-INVITE (Session Refresh Request) to the Oracle® Enterprise Session Border Controller with the session interval values. The Oracle® Enterprise Session Border Controller refreshes the session timer.
7. The Oracle® Enterprise Session Border Controller forwards the re-INVITE to the UAS.
8. The UAS sends the 200 OK response to the Oracle® Enterprise Session Border Controller with the session interval values.
9. The Oracle® Enterprise Session Border Controller sends the 200 OK response to the UAC.
10. If the Oracle® Enterprise Session Border Controller does not receive a Response within the session interval (150 seconds in the following illustration), the timer expires, and the Oracle® Enterprise Session Border Controller terminates the session between the UAC and the UAS. The following illustration shows an example of a dialog between the UAC, the Oracle® Enterprise Session Border Controller, and the UAS during an active session.



When the Oracle® Enterprise Session Border Controller terminates a session it sends a BYE to both the ingress and egress call legs. If accounting is configured, the Oracle® Enterprise Session Border Controller also sends a RADIUS stop record with Acct-Terminate-Cause = Session-Timeout. You can enable or disable the use of the session timers using the ACLI interface at **session-router, sip-config, options**.

## SIP Session Timer Configuration

You can configure the session timer feature on the Oracle® Enterprise Session Border Controller to periodically refresh SIP sessions and determine whether or not a session is still active. If the Oracle® Enterprise Session Border Controller determines that

a session is no longer active, it terminates the session based on the session timer interval settings.

To configure the session timer feature on the Oracle® Enterprise Session Border Controller:

1. In Superuser mode, type **configure terminal** and press Enter.

```
ORACLE# configure terminal
```

2. Type **session-router** and press Enter to access the session router-related configurations.

```
ORACLE(configure)# session-router
```

3. Type **sip-config** and press Enter to access the SIP config-related configurations. The system prompt changes to let you know that you can begin configuring individual parameters for this object.

```
ORACLE(session-router)# sip-config  
ORACLE(sip-config)#
```

4. Enter options followed by the following value:

- +session-timer-support

```
ORACLE(sip-config)# options +session-timer-support
```

This value enables the system to start the session timer for session refreshes coming from the UAC. The system determines whether or not a session is active based on session refreshes or responses. It terminates the session when no session refreshes occur within the session timer interval. To disable the session timer feature, enter options followed by **-session-timer-support**.

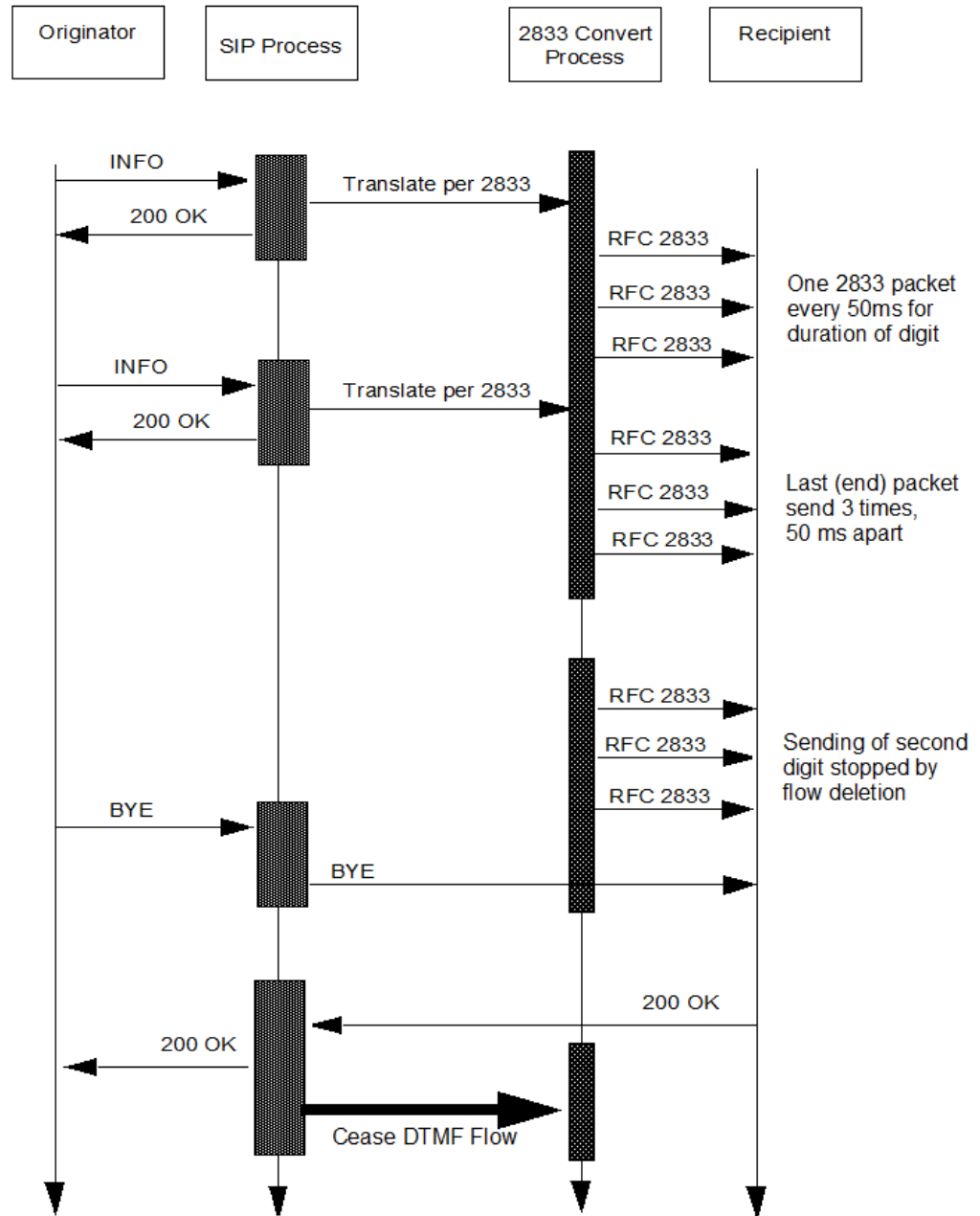
```
Oracle® Enterprise Session Border Controller(sip-config)#  
options -session-timer-support
```

 **Note:**

To disable session timers, you must add a minus sign (-) before the session-timers-support value.

## DTMF Conversion Processing

Release S-CX6.3F1 provides a configurable SIP option to implement DTMF-to-RFC2833 tone translation. The current, default implementation, which performs well in most network topologies is shown below.



When the Oracle® Enterprise Session Border Controller receives an INFO DTMF request, the SIP process determines whether or not it needs to perform DTMF-to-RFC2833 translation. If translation is required, the process forwards the DTMF to the 2833 convert process for translation and transmission to the recipient. Immediately after off-loading the DTMF, the SIP process sends a 200 OK response for the INFO. As shown in the figure, the 2833 convert process generates a number of RFC2833 packets to represent received DTMF digits.

Specifically, the 2833 convert process generates one RFC 2833 packet every 50 milliseconds for the duration of the DTMF digit, whose length is specified in the INFO request, and two retransmits of the last packet (known as the end packet) 50 milliseconds apart.

Consequently, the time interval between the 200 OK and the actual transmission of the RFC 2833 translation is the sum of the DTMF duration and 100 ms.

 **Note:**

This time interval can be shortened to 100 ms by enabling the `rfc2833-end-pkts-only-for-non-sig` parameter in `media-manger` which results in SD only generating the last packet and its two retransmits.

The early 200 OK allows the endpoint to send the next DTMF digit before the SD has sent all the RFC2833 packets, resulting in the next digit being queued internally by the 2833 convert process before being sent.

A problem arises if the SIP process receives a BYE request from the DTMF originator while queued digits are awaiting translation and transmission. In such an event, the SIP process immediately forwards the BYE request to the recipient, ending the session with DTMF digits awaiting translation and transmission.

An alternative DTMF conversion model provides for a feedback mechanism from the 2833 convert process to the SIP process. With this model enabled, the SIP process buffers a received BYE until it obtains confirmation that all queued DTMF digits have been translated and transmitted. Only after obtaining confirmation, does it forward the BYE to terminate the session.

This processing model is enable by a SIP option, **sync-bye-and-2833**, and requires that **rfc2833-mode** parameter on the egress interfaces is NOT set to dual , any value other than dual , is supported.

1. From superuser mode, use the following command sequence to access sip-config configuration mode.

```
ORACLE# configure terminal
ORACLE(configure)# session-router
ORACLE(session-router)# sip-config
ORACLE(sip-config)#
```

2. Use the SIP option **sync-bye-and-2833** to delay BYE processing until DTMF-to-RFC2833 translation has been completed.

```
ORACLE(sip-config)# options +sync-bye-and-2833="enabled"
ORACLE(sip-config)#
```

3. Use the **done** and **exit** commands to complete configuration.

```
ORACLE(sip-config)# done
ORACLE(sip-config)# exit
ORACLE(session-router)#
```

## SIP-KPML to RFC 2833 Conversion for DTMF Events

The Oracle® Enterprise Session Border Controller supports SIP KPML to RFC 2833 conversion for DTMF events.



## SIP KPML to RFC 2833 Negotiation

The Oracle® Enterprise Session Border Controller removes the Allow-Event header if it contains the value KPML.

A SUBSCRIBE request is sent for each KPML event upon a successful invite.

After the SUBSCRIBE even is successful, the Oracle® Enterprise Session Border Controller will process all NOTIFY requests and respond with 200 OK messages.

The SDP-Insertion feature will be used if the Access-side does not offer a SDP in the invite and the core side does not accept an offer-less invite.

## RFC 2833 to SIP KPML Negotiation

The Oracle® Enterprise Session Border Controller adds an Allow-Event header with the value KPML to the INVITE message.

If a SUBSCRIBE message is received from the Access side, the Oracle® Enterprise Session Border Controller will respond with a 200 OK message.

A KPML NOTIFY request is sent for each 2833 DTMF entered, until the subscription is terminated.

## KPML-2833 Interworking on a SIP Interface Configuration

To configure KPML - 2833 interworking on a SIP interface:

1. Access the **sip-interface** configuration element.

```
ORACLE# configure terminal
ORACLE(configure)# session-router
ORACLE(session-router)# sip-interface
ORACLE(sip-interface)#
```

2. Select the **sip-interface** object to edit.

```
ORACLE(sip-interface)# select
<RealmID>:
1: realm01 172.172.30.31:5060

selection: 1
ORACLE(sip-interface)#
```

3. **kpml-interworking**—Set this parameter to enabled to use KPML-2833 interworking.
4. Type **done** to save your configuration.

## LMSD SIP Call Progress Tone Interworking

The Oracle® Enterprise Session Border Controller supports Legacy Mobile Station Domain interworking tht allows SIP interworking with User Agents that support the

3GPP2 LMSD. The LMSD provides support for existing Mobile Stations in a network that supports IP bearers.

LMSD uses Alert-Info headers in a 180 Ringing response to an INVITE to indicate to a User Agent specific tones to generate locally by the UAC. Most User Agents that do not support LMSD will ignore the SDP in the Alert-Info and will not play ringback locally. The `lmsd-interworking` option allows for the system to suppress SDP in 180 Ringing, 486 Busy Here, and 503 Service Unavailable responses, so that the UAC plays local ringback.

## LMSD Interworking Configuration

You can apply **`lmsd-interworking`** to the `sip-interface` facing the LMSD User Agents. For Example, if the endpoints supporting LMSD are located in the core realm, then the **`lmsd-interworking`** option would be added to the core **`sip-interface`**.

To enable the LMSD Interworking option:

1. In Superuser mode, type **`configure terminal`** and press Enter.

```
ORACLE# configure terminal
ORACLE(configure)#
```

2. Type **`session-router`** and press Enter.

```
ORACLE(configure)# session-router
ORACLE(session-router)#
```

3. Type **`sip-interface`** and press Enter. If you are adding this feature to a pre-existing configuration, you will need to select and edit it.

```
ORACLE(session-router)# sip-interface
ORACLE(sip-interface)#
```

4. **options**—Set the options parameter by typing `options`, a Space, the option name **`lmsd-interworking`** with a plus sign in front of it, and then press Enter.

```
ORACLE(sip-interface)# options +lmsd-interworking
```

If you type the option without the plus sign, you will overwrite any previously configured options. In order to append the new options to the realm configuration's options list, you must prepend the new option with a plus sign as shown in the previous example.

5. Save your work.

## SIP re-INVITE Suppression

Some of the Interactive Voice Response (IVR) systems that support SIP frequently change the media transport address (IP address and/or port number) when switching between voice menus and/or prompts by sending a re-INVITE.

Often, no other parameters or properties of the session are changed in these re-INVITES. The frequent re-INVITES can create performance and capacity problems in other systems along the path of the IVR system and the caller's User Agent.

You can configure the **suppress-reinvite** option on your Oracle® Enterprise Session Border Controller, allowing it to store the previous INVITE and its 200-OK response. Having this information allows the system to reply locally when a re-INVITE that changes only the media transport addresses is received.

## SIP re-INVITE Suppression Configuration

To enable SIP re-INVITE Suppression:

1. In Superuser mode, type **configure terminal** and press Enter.

```
ORACLE# configure terminal  
ORACLE(configure)#
```

2. Type **session-router** and press Enter.

```
ORACLE(configure)# session-router  
ORACLE(session-router)#
```

3. Type **sip-interface** and press Enter.

```
ORACLE(session-router)# sip-interface  
ORACLE(sip-interface)#
```

4. **options**—Set the options parameter by typing **options**, a Space, the option-name **suppress-reinvite** with a plus sign in front of it, and then press Enter.

```
ORACLE(sip-interface)# options +suppress-reinvite
```

If you type the option without the plus sign, you will overwrite any previously configured options. In order to append the new options to the SIP interface configuration's options list, you must prepend the new option with a plus sign as shown in the previous example.

5. Save and activate your configuration.

## RFC 4028 Session Timers

The Oracle® Enterprise Session Border Controller supports RFC 4028 Session Timers. In this role, it acts as a B2BUA between two endpoints and then enforces the timer values on each call leg independently. The RFC 4028 abstract states:

This document defines an extension to the Session Initiation Protocol (SIP). This extension allows for a periodic refresh of SIP sessions through a re-INVITE or UPDATE request. The refresh allows both user agents and proxies to determine whether the SIP session is still active. The extension defines two new header fields:

- Session-Expires—which conveys the lifetime of the session
- Min-SE—which conveys the minimum allowed value for the session timer

The following parameters in the session-timer-profile configuration element are used for this feature:

**session-expires**—The value of the session expires header in seconds

**min-se**—The value of the Min-SE header in seconds (this is a minimum session expires value)

**force-reinvite**—Sets if the Oracle® Enterprise Session Border Controller will send a reINVITE to refresh the session timer when applicable.

**request-refresher**—Set on the outbound side of a call what the Oracle® Enterprise Session Border Controller sets the refresher parameter to. Valid values are uac, uas, or none.

**response-refresher**—Set on the inbound side the value of the refresher parameter in the 200OK message. Valid values are uac or uas.

In this section, the notion that a UAC or UAS supports Session Timers is indicated by the presence of the Supported: timer header and option tag.

## Ingress Call Leg

### Setting 200 OK's Session-Expire value

The session timer is based on the negotiation between each side's session expires value. The final value on the ingress leg is returned by the Oracle® Enterprise Session Border Controller to the UAC, unless there is an error.

The Oracle® Enterprise Session Border Controller can always reduce the session expires value it returns to the UAC. It checks that the Session-Expires: header is larger than the SIP Interface's min-se value. The Oracle® Enterprise Session Border Controller then compares the received Session-Expires: header to the configured session-expires configuration element and uses the lower value for the 200 OK's Session-Expires: header. If this outbound Session-Expires: value is lower than the received Min-SE: header, it will be bumped up to the Min-SE: header's value.

If the Oracle® Enterprise Session Border Controller's Min-SE value is larger than the Session-Expires: header, a 422 (Session Interval Too Small) message is returned to the UAC containing the Oracle® Enterprise Session Border Controller's configured Min-SE value.

When the UAC supports (but does not require) Session Timers and the Oracle® Enterprise Session Border Controller does not support session timers, a 200 OK is returned to the UAC with no indication of session timer support.

## Refresher

The initial UAC, the side that sends the INVITE, can set itself to be the refresher (uac) or the Oracle® Enterprise Session Border Controller as the refresher (uas). Whoever is the refresher is indicated in the 200 OK. If the UAC does not specify any refresher, the Oracle® Enterprise Session Border Controller uses its response-refresher value in the 200 OK. If that value is set to uas, the Oracle® Enterprise Session Border Controller creates and sends a re-INVITE toward the UAC with previously negotiated session expiration values.

Once the Oracle® Enterprise Session Border Controller becomes the refresher, it does not relinquish that role. Then, when the Oracle® Enterprise Session Border Controller sends refresh requests, it does not change any parameters (refresher role & timers) from the initial request negotiation.

## UAC does not Support Session Timers

If the UAC's initial request does not include a Session-Expires: header, then the 200 OK will include the **session-timer-profile**, **session-expires** value on the ingress leg in the Session-Expires: header.

The Oracle® Enterprise Session Border Controller also inserts the refresher parameter as configured. The orientation of UAC/UAS on the Oracle® Enterprise Session Border Controller's view of a call leg can change if later in the call flow the endpoint designates the Oracle® Enterprise Session Border Controller as the refresher.

### Note:

When the request doesn't support Session Timers, the Oracle® Enterprise Session Border Controller's reply adds session timer support according to configuration.

If the Oracle® Enterprise Session Border Controller receives a message with a Require: timer header, and the inbound SIP interface or the final UAS do not support session timers, a 420 (Bad Extension) is returned to the UAC.

## Egress Call Leg

### Outbound INVITE Message

When the Oracle® Enterprise Session Border Controller's outbound interface is configured with session timers, it forwards an INVITE to the UAS with the following headers:

Session-Expires— Oracle® Enterprise Session Border Controller inserts the outbound SIP interface's session-timer parameter

Session-Expires refresher parameter— Oracle® Enterprise Session Border Controller inserts the request-refresh parameter

Min-SE— Oracle® Enterprise Session Border Controller inserts the outbound SIP interface's session-timer parameter

Supported—Supported header has the timer option tag

### Note:

Require/Proxy-Require—If the timer parameter is present in the Require or Proxy-Require: header field in the request received from the UAC, it will be removed.

## No Session Timer Configuration

If the ingress SIP interface supports session timers, and the original INVITE from the UAC included session timer support, the INVITE request sent to the UAS will have no session timer support. However, the Supported: timer header will be created. This ensures that the Oracle® Enterprise Session Border Controller does not get a 421 response for 'timer' from the UAS.

If the ingress SIP interface supports session timers, and the UAC's initial INVITE did not include session timer support, then the INVITE sent to the UAS will have no session timer support (headers) as well.

If the ingress SIP interface does not support session timers, the INVITE is forwarded with no Session Timer alteration.

## UAS Initial Response

Upon receiving a 200 OK from the UAS, if the response specifies uac as the refresher, the 200 OK includes a Session-Expires header and specifies uac as the refresher, the Oracle® Enterprise Session Border Controller will assume the refresher role. If the 200 OK does not include a Session-Expires header, and the egress interface supports session timers, then the Oracle® Enterprise Session Border Controller assumes the refresher role.

## UAS Returns Errors

422 Session Interval Too Small—The Oracle® Enterprise Session Border Controller in response sends the request again with new values in the 'Session-Expires' header field based on the 'Min-SE' value present in the 422 response.

421 Extension Required for 'timer'—This response can only happen if none of the other three entities (UAC, ingress SIP interface and egress SIP interface) support session timers. The 421 is forwarded through the system to the original UAC.

420 Bad Extension for 'timer'—This response should never happen because the Oracle® Enterprise Session Border Controller will never send Require: timer header. But the event this error is received, it will be forwarded to the original UAC.

## Session Refreshes

On either side of the call, the Oracle® Enterprise Session Border Controller can be responsible for initiating the session refreshes or responding to the session refreshes.

## Oracle® Enterprise Session Border Controller as Refresher

The Oracle® Enterprise Session Border Controller sends the refresh request when half the session expiration has elapsed. The Oracle® Enterprise Session Border Controller always wants to remain the refresher and maintain the initially agreed upon session expiration timers.

## Creating the Refresh Message

The refresh message takes the form of a re-INVITE when the force-reinvite parameter in the session timer profile is enabled. If this parameter is disabled and the remote end supports UPDATE requests, an UPDATE message will be sent.

UPDATE messages contain no SDP information.

Re-INVITE messages contain the SDP that is the same as what was sent before.

The refresh request's Session-Expires: header value is set to the existing value for the session. The refresher parameter is set to uac since the Oracle® Enterprise Session Border Controller acts like a UAC for this refresh transaction. The Min-SE header is also included.

## Processing the Refresh Response

The session expires value in the 2xx response is accepted and the timer restarts.

If the remote end does not include any session expiration parameters, the Oracle® Enterprise Session Border Controller continues to support session timers, and assumes that the refresh interval is the same as before.

Any response that is 422 Session Interval Too Small is handled as expected. The Oracle® Enterprise Session Border Controller resends the refresh request again with new values based on the 422 response. Any other response to the refresh request that is not a dialog/usage destroying response is treated like a 200 OK response.

Subsequent refresh requests are created and sent after half the previous refresh interval. If non-2xx, dialog / usage destroying responses are received, the Oracle® Enterprise Session Border Controller reduces the following refresh intervals by half, as long as the final interval is not less than 32 seconds. The Oracle® Enterprise Session Border Controller then uses this period for sending refresh requests until it successfully receives a 2xx response.

## Oracle® Enterprise Session Border Controller as Refresh Responder

### Processing the Refresh

The refresh request is processed similarly to the initial request regarding the session timer parameters. The session timer for this call leg is restarted when the Oracle® Enterprise Session Border Controller when it sends the 200 OK response for the refresh request.

### Forwarding the Refresh

When the Oracle® Enterprise Session Border Controller receives an UPDATE request, it is forwarded to the other end since the Oracle® Enterprise Session Border Controller cannot determine whether this request is only for session refreshing, or for other purposes as well.

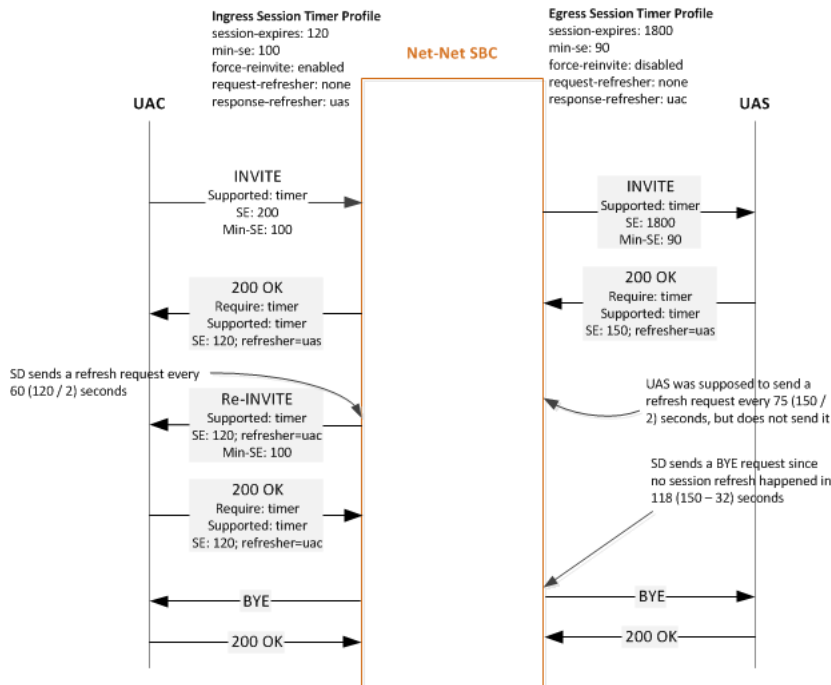
When the Oracle® Enterprise Session Border Controller receives a re-INVITE request, it will determine whether this request needs to be suppressed, or should it be forwarded to the other end.

## Timer Expiration

If the Oracle® Enterprise Session Border Controller fails to receive a session refresh request before the session expiration, the session will be terminated before the full session time. This is computed according to:

$$\text{time} = \text{period} - \min(\text{period} / 3, 32)$$

After the real expiration time elapses, the Oracle® Enterprise Session Border Controller sends a BYE request in both directions to terminate the session.



## Interaction with SIP Features

Consider the following sections that have interactions with RFC 4028 Support.

### sip-config option session-timer-support

A configured session-timers-profile on a SIP interface overrides the session-timer-support option in the SIP config. The Oracle® Enterprise Session Border Controller can still act in proxy mode for some calls and B2BUA for other calls considering which SIP interfaces session timer profiles are not configured for.

### sip-feature Support

When the UAC sends a Require: timer header in the initial request and the Oracle® Enterprise Session Border Controller does not support session timers, and no sip-feature configuration element is configured for 'timer' for that realm, the Oracle® Enterprise Session Border Controller replies with a 420 (Bad Extension) response for 'timer'.



When the UAC sends a Require: timer header is in the initial request and the Oracle® Enterprise Session Border Controller does support session timers, the timer tag is removed from the Require: header even if a sip-feature configuration element is configured for 'timer'. This also applies for the Proxy-Require: header.

Oracle recommends you do not configure a sip feature configuration element while using the Session Timers feature.

## sip-interface option suppress-reinvite

SIP re-INVITE suppression is automatically enabled for a SIP interface when session timers are enabled. This behavior prevents re-INVITES whose purpose is only for session refreshes from being forwarded to the other call leg. The first re-INVITE received from a UAS on the terminating call leg will be passed to the UAC on the originating call leg since the Oracle® Enterprise Session Border Controller has no prior INVITE request coming from the UAS to match against.

Re-INVITES are suppressed only when the Oracle® Enterprise Session Border Controller receives the same INVITE request back-to-back without any intervening re-INVITE request in the opposite direction, or an UPDATE or PRACK request in either direction.

### Note:

The SIP reINVITE Suppression parameters are not replicated on the standby system in an HA environment. The first re-INVITE after a switchover will be forwarded to the far end.

## Examples

E x	Messages on Originating Call Leg	Ingress SIP Interface Config	Ingress SIP Interface Config	Messages on Terminating Call Leg
1	INVITE → <ul style="list-style-type: none"> <li>Supported: timer SE: 200</li> <li>← 200 OK Require: timer SE: 200; refresher=uas</li> <li>INVITE → Supported: timer SE: 1200; refresher=uas</li> </ul>	session-expires: 500 min-se: 200 request-refresher: none response-refresher: uas this element becomes refresher	session-expires: 500 min-se: 400 request-refresher: none response-refresher: uas	<ul style="list-style-type: none"> <li>INVITE→ Supported: timer SE: 500 Min-se: 400</li> <li>← 200 OK Require: timer SE: 400; refresher=uas</li> </ul>
2	← 200 OK Require: timer SE: 500; refresher=uas	session-expires: 500 min-se: 200 request-refresher: none response-refresher: uac this element becomes refresher	session-expires: 500 min-se: 400 request-refresher: uas response-refresher: uas this element becomes refresher	INVITE → Supported: timer SE: 500; refresher=uas Min-se: 400 ----- ← 200 OK

E x	Messages on Originating Call Leg	Ingress SIP Interface Config	Ingress SIP Interface Config	Messages on Terminating Call Leg
3	INVITE → Supported: timer SE: 1200; refresher=uac Min-se: 800 _____ _____ ← 200 OK Require: timer SE: 800; refresher=uac	session-expires: 500 min-se: 200 request-refresher: none response-refresher: uas	No session timer configuration this element becomes refresher	INVITE → Supported: timer _____ _____ ← 200 OK Require: timer SE: 400; refresher=uac
4	INVITE → Supported: timer SE: 200; refresher=uac _____ _____ ← 200 OK Require: timer SE: 200; refresher=uac	session-expires: 500 min-se: 200 request-refresher: none response-refresher: uas	No session timer configuration	INVITE → Supported: timer _____ _____ ← 200 OK
5	INVITE → Supported: timer SE: 200 _____ _____ ← 200 OK	No session timer configuration	session-expires: 500 min-se: 400 request-refresher: uas response-refresher: uas this element becomes refresher	INVITE → Supported: timer SE: 500; refresher=uas Min-se: 400 _____ _____ ← 200 OK
6	INVITE → Supported: timer SE: 200 _____ _____ ← 200 OK Require: timer SE: 400; refresher=uas	No session timer configuration SBC behavior stays same as current behavior	No session timer configuration	INVITE → Supported: timer SE: 200 _____ _____ ← 200 OK Require: timer SE: 400; refresher=uas
7	INVITE → Require: timer SE: 200 _____ _____ ← 420 Unsupported: timer	No SIP feature for timer No session timer configuration SD behavior stays same as current behavior	No session timer configuration	

<b>E x</b>	<b>Messages on Originating Call Leg</b>	<b>Ingress SIP Interface Config</b>	<b>Ingress SIP Interface Config</b>	<b>Messages on Terminating Call Leg</b>
8	INVITE → Require: timer SE: 200 <hr/> ← 420 Unsupported: timer	SIP feature configured for timer No session timer configuration  SD behavior stays same as current behavior	No session timer configuration	INVITE → Required: timer SE: 200 <hr/> ← 420 Unsupported: timer
9	INVITE → Require: timer SE: 200 <hr/> ← 200 OK	SIP feature configured for timer No session timer configuration	session-expires: 500 min-se: 400 request-refresher: none response-refresher: uas  this element becomes refresher	INVITE → Supported: timer SE: 500 Min-se: 400 <hr/> ← 200 OK Require: timer SE: 500; refresher=uac
10	INVITE → Require: timer SE: 200 <hr/> ← 200 OK Require: timer SE: 200; refresher=uac	No SIP feature for timer session-expires: 500 min-se: 200 request-refresher: none response-refresher: uac	session-expires: 500 min-se: 400 request-refresher: uas response-refresher: uas	INVITE → Supported: timer SE: 500; refresher=uas Min-se: 400 <hr/> ← 200 OK Require: timer SE: 500; refresher=uas
11	INVITE → Require: timer SE: 200 <hr/> ← 420 Unsupported: timer	No SIP feature for timer No session timer configuration	session-expires: 500 min-se: 400 request-refresher: none response-refresher: uas	
12	INVITE → SE: 200 <hr/> ← 200 OK SE: 500; refresher=uas	session-expires: 500 min-se: 500 request-refresher: none response-refresher: uas this element becomes refresher	No session timer configuration	INVITE → <hr/> ← 200 OK

E x	Messages on Originating Call Leg	Ingress SIP Interface Config	Ingress SIP Interface Config	Messages on Terminating Call Leg
13	INVITE → _____ _____ ← 200 OK	No session timer configuration	session-expires: 500 min-se: 400 request-refresher: none response-refresher: uas	INVITE → Supported: timer SE: 500 Min-se: 400 _____ _____ ← 200 OK Require: timer SE: 400; refresher=uas
14	INVITE → _____ _____ ← 421 Require: timer	No session timer configuration SD behavior stays same as current behavior	No session timer configuration	
15	INVITE → Supported: timer SE: 200 _____ _____	session-expires: 500 min-se: 400		
	← 422 Min-se: 400			
16	INVITE → Supported: timer SE: 200 _____ _____ ← 200 OK Require: timer SE: 200; refresher=uac	session-expires: 800 min-se: 90 request-refresher: none response-refresher: uac	session-expires: 800 min-se: 90 request-refresher: none response-refresher: uac	INVITE → Supported: timer SE: 800 Min-se: 90 _____ _____ ← 422 Min-se: 900 _____ _____ INVITE → Supported: timer SE: 900 Min-se: 900 _____ _____ ← 200 OK Require: timer SE: 900; refresher=uas

## RADIUS Interim record Generation

When refresh requests (UPDATE or Re-INVITE) are sent by the Oracle® Enterprise Session Border Controller, no RADIUS Interim records are generated because session parameters do not change when these requests are sent.

When UPDATE requests are received by the Oracle® Enterprise Session Border Controller, no RADIUS Interim records are generated.

When Re-INVITE requests are received by the Oracle® Enterprise Session Border Controller, RADIUS Interim records are generated if the generate-interim parameter is enabled.

## ACLI Configuration

To configure a session timer profile object:

1. In Superuser mode, type **configure terminal** and press Enter.

```
ORACLE# configure terminal  
ORACLE(configure)#
```

2. Type **session-router** and press Enter.

```
ORACLE(configure)# session-router  
ORACLE(session-router)#
```

3. Type **session-timer-profile** and press Enter. The system prompt changes to let you know that you can begin configuring individual parameters.

```
ORACLE(session-router)# session-timer-profile  
ORACLE(session-timer-profile)#
```

4. **name**—Enter a name for this session timer profile.
5. **session-expires**—Enter the session timer value in seconds you wish this object to use natively.
6. **min-se**—Enter the minimum session timer value in seconds for this object.
7. **force-reinvite**—Leave the default of enabled for the Oracle® Enterprise Session Border Controller to always use reINVITES for session refreshes. Set this parameter to disabled for the Oracle® Enterprise Session Border Controller to try using UPDATES for session refreshes.
8. **request-refresher**—Set this to the value to insert in the refresher parameter in the Session-Expires: header on the originating call leg that the Oracle® Enterprise Session Border Controller includes in the 200 OK response message. Valid values are **uac** and **uas**.
9. **response-refresher**—Set this to the value to insert in the refresher parameter in the Session-Expires: header on the terminating call leg that the Oracle® Enterprise Session Border Controller includes in the INVITE message. Valid values are **uac**, **uas**, **none**.
10. Type **done** to save your work and continue.

To apply a session timer profile to a SIP interface:

- In Superuser mode, type **configure terminal** and press Enter.

```
ORACLE# configure terminal
ORACLE(configure)#
```

- Type **session-router** and press Enter.

```
ORACLE(configure)# session-router
ORACLE(session-router)#
```

- Type **sip-interface** and press Enter.

```
ORACLE(session-router)# sip-interface
ORACLE(sip-interface)#
```

If you are adding this feature to an existing configuration, then you will need to select the configuration you want to edit.

- session-timer-profile**—Enter the name of a session timer profile object you have configured and want applied to this SIP interface.
- Type **done** to save your work and continue.

## Verify Config Validation

The Oracle® Enterprise Session Border Controller's verify-config function checks that the value configured in all sip-interfaces' session-timer-profiles correspond to a configured session-timer-profile name. The following is be generated when this check fails:

```
ERROR: sip-interface [id] has reference to session-timer-profile [xyz]
which does not exist
```

## show sipd status

The show sipd status command now contains new statistic, called Refreshes Sent which reflects the number of refresh requests that the Oracle® Enterprise Session Border Controller has sent. For example:

```
ORACLE#show sipd status
SIP Status
Active      -- Period -- ----- Lifetime -----
High Total      Total PerMax High
Sessions    0          1          0          2          1          1
Subscriptions 0          0          0          0          0          0
Dialogs     0          2          0          4          2          2
CallID Map  0          2          0          4          2          2
Rejections  -          -          0          0          0
ReINVITEs   -          -          0          2          1
ReINV Suppress -         -          0          1          1
Media Sessions 0          1          0          2          1          1
Media Pending 0          0          0          0          0          0
Client Trans 0          3          2          10         3          3
Server Trans 0          0          0          6          3          3
Resp Contexts 0          0          0          6          3          3
```

Saved Contexts	0	0	0	0	0	0
Sockets	2	2	0	2	2	2
Req Dropped	-	-	0	0	0	
Refreshes Sent	0	0	0	0	0	0
DNS Trans	0	0	0	0	0	0
DNS Sockets	0	0	0	0	0	0
DNS Results	0	0	0	0	0	0
Rejected Msgs	0	0	0	0	0	0

# 5

## Signaling

### H.323 Signaling Services

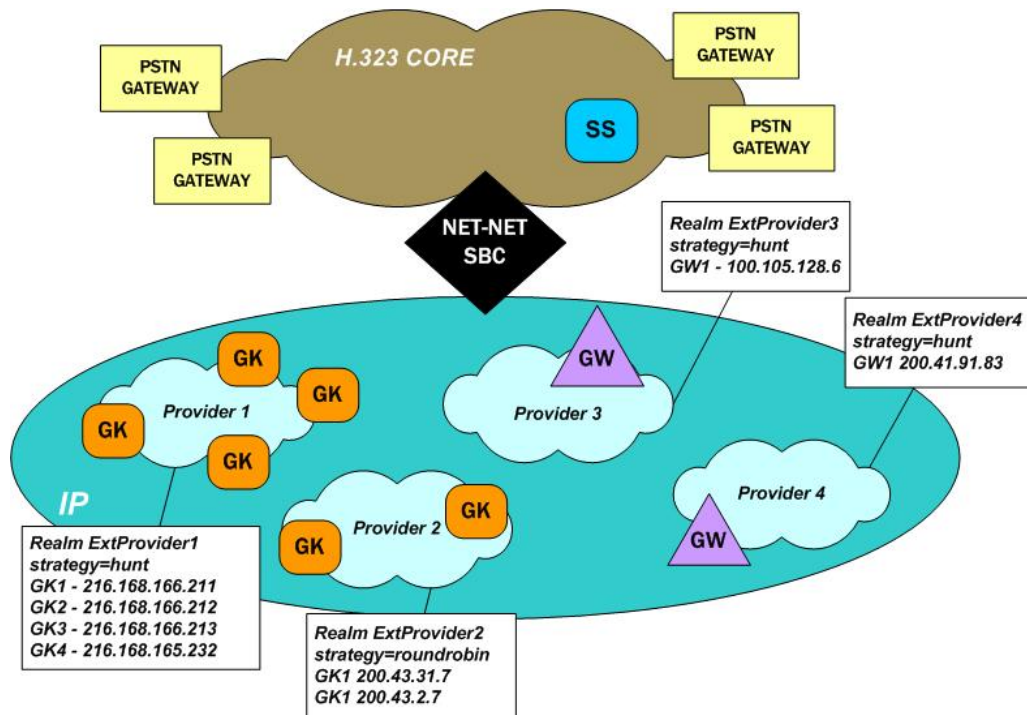
The Oracle® Enterprise Session Border Controller supports H.323 signaling in a way that permits interworking between different H.323 configurations from different providers and carriers. H.323 signaling capabilities on the Oracle® Enterprise Session Border Controller include:

- H.323 V4—Improves on previous versions of the protocol in functionality, scalability, and reliability
- H.225 call signaling with RAS—Establishes connections between H.323 endpoints so real-time data can be exchanged
- H.245—Establishes the type of media flow and manages that flow after it has started
- H.245 tunneling—Encapsulates H.245 messages within H.225/Q.931 messages; when enabled and used with a firewall, one less TCP port is needed for incoming connections
- Fast Start (and Fast Start with parallel H.245)
- H.323 Annex E support for UDP signaling—Provides for multiplexed call signaling over UDP to increase potential call volume and enhance performance

### Peering Environment for H.323

The following diagram shows a peering environment for H.323, with the Oracle® Enterprise Session Border Controller positioned between the H.323 core and external providers.





The configuration information shown in the diagram can help you to understand how some basic Oracle® Enterprise Session Border Controller concepts work. The providers in this depiction are configured as realms, and the strategies you see are for session agent group. What you do not see in this diagram is the fact that the Oracle® Enterprise Session Border Controller is configured with sets of H.323 interfaces within it. These interfaces are internal (for an internal provider) and external (for the external providers you see).

## Video-Conferencing Support

The Oracle® Enterprise Session Border Controller (E-SBC) supports H323 video-conferencing environments using the H323 Protocol for video-conferencing. The E-SBC provides critical control functions to enable high quality interactive communication—voice, video and multimedia sessions—across IP network borders.

For additional information about the H323 Protocol, see the *ACLI Configuration Guide*.

The E-SBC architecture supports both voice and video applications. It uses Codec Media Profiles to determine the proper amount of bandwidth allocated for a given session, distinguishing between G.711 or G729 voice and H.263/264 video requirements. By supporting video transmission as well as voice over the IP Multi-protocol label switching (MPLS) core, the E-SBC allows you to roll out new services to your enterprise customers such as video/audio conferencing.

### Note:

IP MPLS is a packet-switched network that uses the Internet Protocol (TCP/IP) enhanced with the Multi-protocol label switching (MPLS) standard.

The E-SBC allows for aggregate bandwidth policies to be configured for each realm. As the E-SBC processes call requests to and from a particular realm, the bandwidth consumed for the call is decremented from the bandwidth pool for that realm. The E-SBC determines the required bandwidth from the SDP/H.245 information. Any request that would cause the bandwidth constraint to be exceeded is rejected with a SIP “503 Service Unavailable” or an H.323 Release Complete.

To alleviate the bandwidth demands of high-definition video streams, the E-SBC offers a 2 or 4 Gigabit PHY card option.

## Overview

Using H.323 on your Oracle® Enterprise Session Border Controller, you can implement different signaling modes and use features to enhance H.323 capabilities. In the information that follows, you will find detailed explanations of the H.323 signaling mode and of the features available. This chapter gives operational details and later outlines the steps you need to take when features require configuration.

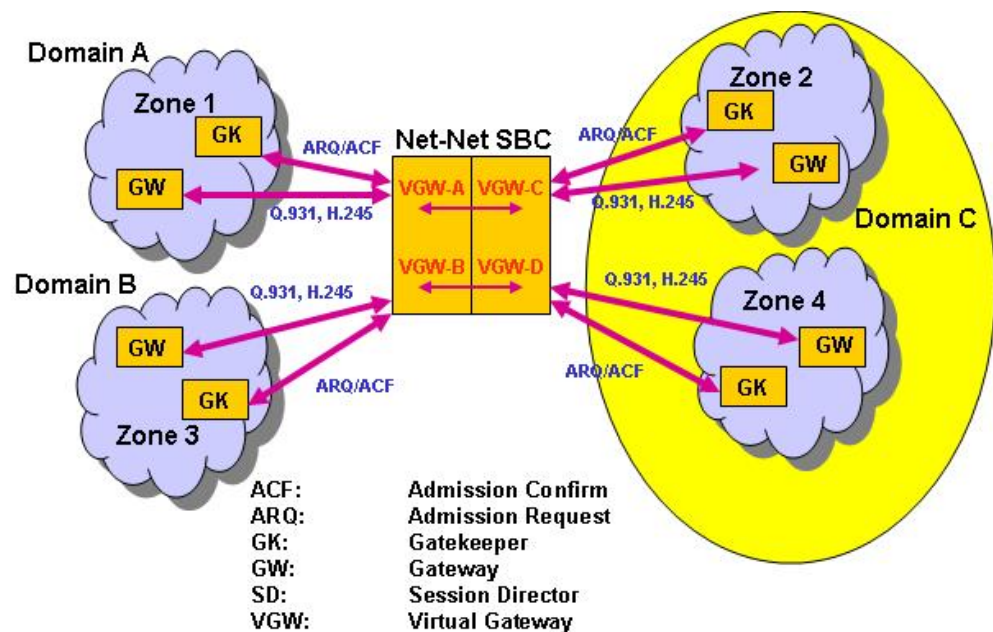
## Signaling Modes of Operation

Your Oracle® Enterprise Session Border Controller can operate in different H.323 signaling modes:

- Back-to-back gateway signaling
- Back-to-back gatekeeper proxy and gateway
- Interworking gatekeeper/gateway

## Back-to-Back Gateway Signaling

This section explains how signaling takes place when the Oracle® Enterprise Session Border Controller functions as a B2BGW for H.323. The following diagram illustrates the Oracle® Enterprise Session Border Controller acting as a B2BGW.



When configured as a B2BGW, the Oracle® Enterprise Session Border Controller appears as multiple H.323 gateways to multiple networks. You can think of the Oracle® Enterprise Session Border Controller as having virtual gateways, that discovers and registers with a gatekeeper in its respective domain. In this configuration, you need to set the service mode (**isgateway**) parameter for the H.323 interface to enabled for two H.323 interfaces. These interfaces are related either through their outgoing interface (**assoc-stack**) parameters or through routing policies.

If you configure your Oracle® Enterprise Session Border Controller to operate in this mode, it does not issue or respond to LRQs by either confirming them or rejecting them.

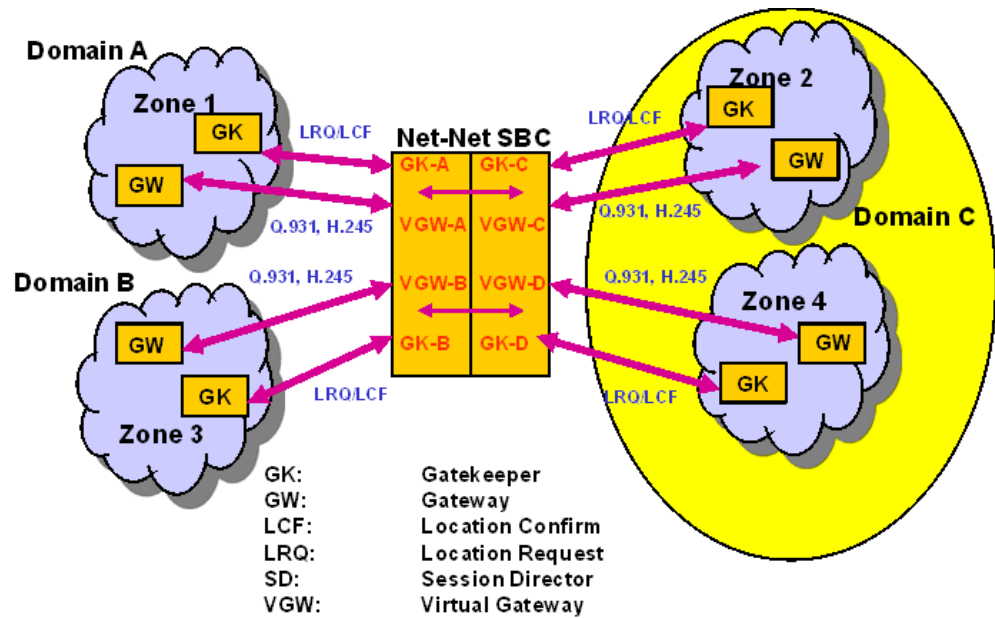
In the diagram above, the Oracle® Enterprise Session Border Controller sends ARQs to the corresponding gatekeeper in its zone when a call is received on the associated interface. In this behavior, the Oracle® Enterprise Session Border Controller acts as a gateway, complying with the H.323 standard, and registers with the configured gatekeeper in its assigned zone. You set all parameters related to the gateway registrations, such as gateway prefix numbers, in the H.323 interface configuration.

In this mode, you can also configure the Oracle® Enterprise Session Border Controller to run like a gateway without a gatekeeper by turning off automatic discovery (auto-gk-discovery) for the remote gatekeeper. When the Oracle® Enterprise Session Border Controller receives a Setup message, it does not send an ARQ and there is no registration for admission requests. Without automatic gateway discovery, the Oracle® Enterprise Session Border Controller uses the local policy to find the appropriate destination for the call. This destination is normally the IPv4 address of the endpoint or gateway, using the well-known port 1720.

If you enable this capability, then the Oracle® Enterprise Session Border Controller finds a gatekeeper.

## Back-to-Back Gatekeeper Proxy and Gateway

This section explains how signaling takes place when the Oracle® Enterprise Session Border Controller functions as a back-to-back gatekeeper proxy and gateway for H.323. The following diagram illustrates the Oracle® Enterprise Session Border Controller acting as a B2B gatekeeper proxy and gateway.



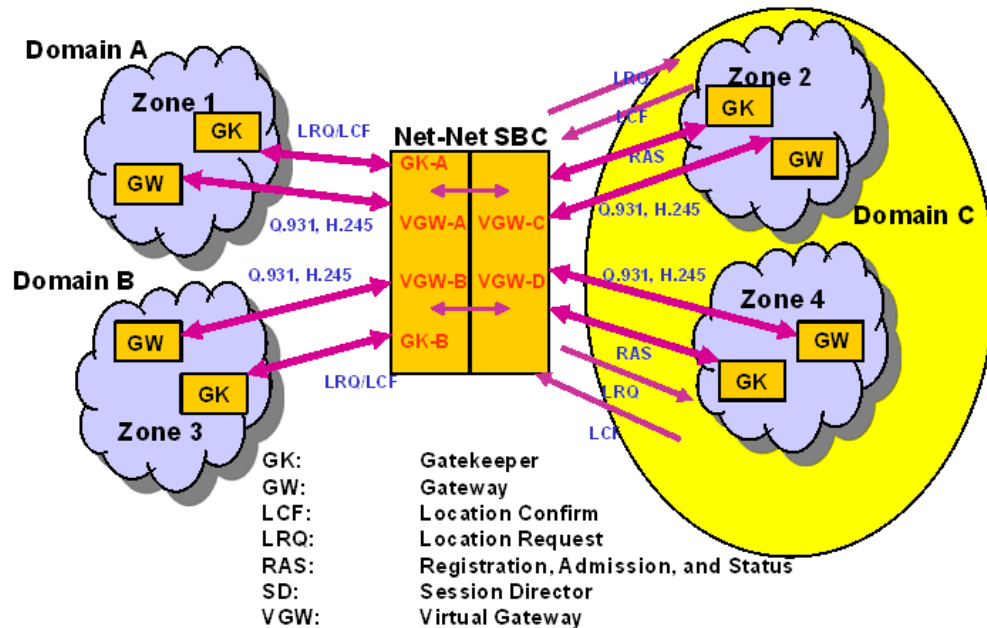
In this application, with the service mode (**isgateway**) parameter set to disabled, the Oracle® Enterprise Session Border Controller responds to LRQs and issues LCFs and LRJs. It sends LRQs and LCFs/LRJs to the local IPv4 address for the H.323 interface. The Oracle® Enterprise Session Border Controller responds to the LRQs by providing a signaling address that performs gateway functions.

When you use it as a back-to-back gatekeeper proxy and gateway, the Oracle® Enterprise Session Border Controller does not issue ARQs. In addition, all parameters related to registration, such as gateway prefix numbers, are ignored.

When you do not configure a gatekeeper, the Oracle® Enterprise Session Border Controller uses the local policy to find the appropriate destination for the call. If there is a matching local policy, the Oracle® Enterprise Session Border Controller returns an LCF to the originating gateway. If no local policy matches, the Oracle® Enterprise Session Border Controller rejects the call by sending an LRJ.

## Interworking Gatekeeper-Gateway

This section explains how signaling takes place when the Oracle® Enterprise Session Border Controller functions as an interworking gatekeeper-gateway for H.323. The following diagram shows the Oracle® Enterprise Session Border Controller acting as an interworking gatekeeper-gateway.



When you configure your Oracle® Enterprise Session Border Controller for interworking gatekeeper-gateway mode, one H.323 interface behaves as a B2BGW and its associated interface for the corresponding network behaves like a gatekeeper proxy and gateway. The interface for the gatekeeper proxy and gateway issues and responds to LRQ messages on its network. If the Oracle® Enterprise Session Border Controller knows the gatekeeper in the network of the gateway interface (Zone 2), it sends an LRQ to that gatekeeper. If the gatekeeper responds with an LCF or LRJ, the Oracle® Enterprise Session Border Controller forwards it.

If the gatekeeper (in Zone 2) is unknown, then the Oracle® Enterprise Session Border Controller responds to LRQs on the gatekeeper-gateway network (Zone 1) by using the local policy to determine the appropriate destination for the LRQ. If there is no local policy that matches, then the Oracle® Enterprise Session Border Controller sends an LRJ.

For this configuration, the gateway interface has its service mode (**isgateway**) set to enabled, and the gatekeeper interface has its service mode (**isgateway**) set to disabled.

## Realm Bridging with Static and Dynamic Routing

The Oracle® Enterprise Session Border Controller uses static routing and policy-based, dynamic routing to handle H.323 traffic. These types of routing have to do with the way that the outgoing stack is selected.

- Static routing—The incoming H.323 stack always uses the associated H.323 stack that you configure for outgoing traffic; no other stacks are considered.
- Dynamic routing—When there is not an associated stack configured, the Oracle® Enterprise Session Border Controller performs policy-based, dynamic routing known as realm bridging. In this type of realm bridging, the Oracle® Enterprise Session Border Controller checks the configured local policies for address information corresponding to the incoming traffic and finds an address that matches. Next, it checks the next hop in the local policy to determine a realm and uses the first H.323 interface that matches it.

## Before You Configure

In order to run H.323 on your Oracle® Enterprise Session Border Controller, you need to configure the basic parameters: physical and network interfaces; global system parameters; SNMP, trap receiver, and accounting support, and any holiday information you might want to set.

You should also decide how you want to set up realms and routing (including the use of session agents and session agent groups) to support H.323 operations.

## Global H.323 Settings

When you configure H.323 signaling for your Oracle® Enterprise Session Border Controller, you set global and per-interface parameters. The global parameters govern how the Oracle® Enterprise Session Border Controller carries out general H.323 operations, and these settings are applied to all interfaces you configure for H.323 use. For example, you can turn H.323 support on and off for the entire Oracle® Enterprise Session Border Controller using these settings.

## Global H.323 Settings Configuration

For the ACLI, global H.323 parameters are:

state	State of the H.323 protocol
log-level	Log level for H.323 stacks
response-tmo	maximum waiting time in sec for response to a SETUP message
connect-tmo	maximum waiting time in sec for establishment of a call
options	optional features/parameters

## Accessing Global H.323 Parameters

To access the global H.323 configuration parameters in the ACLI:

1. In Superuser mode, type **configure terminal** and press Enter.

```
ORACLE# configure terminal
```

2. Type **session-router** and press Enter to access the session-related configurations.

```
ORACLE(configure)# session-router
```

3. Type **h323** and press Enter. The system prompt changes to let you know that you can begin configuring individual parameters.

```
ORACLE(session-router)# h323
```

From this point, you can configure global H.323 parameters. To view all H.323 configuration parameters, enter a **?** at the system prompt. Access to the H.323 interface (**h323-stack**) configuration also appears.

## Global H.323 Settings

To configure global H.323 parameters:

1. **state**—Enable or disable the state of H.323 signaling. The default value is **enabled**. Valid values are:
  - enabled | disabled
2. **response-tmo**—Enter the amount of time in seconds that the Oracle® Enterprise Session Border Controller waits between sending a Setup message and tearing it down if there is no response. The default value is **4** and we recommend you leave this parameter set to this value. The valid range is:
  - Minimum—0
  - Maximum—999999999

A response might be any of the following messages: Call Proceeding, Connect, or Alerting.
3. **connect-tmo**—Enter the amount of time in seconds that the Oracle® Enterprise Session Border Controller waits between sending a Setup message and tearing it down if it does not specifically receive a Connect message from the endpoint. The default is **32** and we recommend that you leave this parameter set to this value. The valid range is:
  - Minimum—0
  - Maximum—999999999

Receiving a Proceeding or Alert message from the endpoint does not keep this timer from expiring.
4. **options**—Set any options for H.323 features that you want to use. This parameter has a global impact on H.323 behavior, rather than being applied on a per-interface basis.
 

If you do not configure options for global H.323 behavior, none appears in the configuration display.
5. **log-level**—Set the process log level for monitoring all H.323 activity on the Oracle® Enterprise Session Border Controller. The default is **INFO** and leaving this parameter set to this value provides an intermediate amount of detail in the logs. Other valid values are:

 **Note:**

Any log level you set here overrides the log level you set in the system configuration's process log level parameter.

Numerical Code	Acme Packet Log Enumeration	Description
1	EMERGENCY	Logs conditions of the utmost severity that require immediate attention.
2	CRITICAL	Logs events of serious condition that require attention as soon as possible.



Numerical Code	Acme Packet Log Enumeration	Description
3	MAJOR	Logs conditions indicating that functionality is seriously compromised.
4	MINOR	Logs conditions indicating that functionality has been impaired in a minor way.
5	WARNING	Logs conditions indicating irregularities in performance.
6	NOTICE	For Acme Packet customer support.
7	INFO	
8	TRACE	
9	DEBUG	

## H.323 Interfaces

You need to configure H.323 interfaces for inbound and outbound traffic. When you configure H.323 interfaces, you can set:

- Identity and state
- Realm and H.323 interface associations
- H.323 interface settings for the interface's IPv4 address, RAS and Q.931 ports, maximum number of Q.931 ports to allow, and any Annex E support you need
- H.323 system resource allocation

## H.323 Interfaces Configuration

These are the ACLI parameters that you set:

name	Name of the stack
state	State of the stack
isgateway	Enable the stack to run as a gateway
terminal-alias	List of aliases for terminal
ras-port	Listening port for RAS request
gk-identifier	Gatekeeper's identifier
q931-port	Q.931 call signalling port
alternate-transport	Alternate transport addresses/ports
q931-max-calls	Maximum number of Q.931 calls
max-calls	Stack's maximum number of calls
max-channels	Maximum number of channels per channel

To access the H.323 interface (h323-stack) and service mode parameters:

1. In Superuser mode, type **configure terminal** and press Enter.

```
ORACLE# configure terminal
```

2. Type **session-router** and press Enter to access the media-related configurations.

```
ORACLE(configure)# session-router
```



3. Type **h323** and press Enter.

```
ORACLE(session-router)# h323
```

4. Type **h323-stacks** and press Enter.

```
ORACLE(h323)# h323-stacks
ORACLE(h323-stacks)#
```

From this point, you can configure H.323 interface and service mode parameters. To view all H.323 interface parameters, enter a **?** at the system prompt. The display also includes H.323 service mode parameters.

## Identity and State

To set the identity and state of the H.323 interface:

1. **name**—Enter a name for the H.323 interface using any combination of characters entered without spaces. For example: InternalGK1.
2. **state**—Enter the state of this H.323 interface. The default value is **enabled**. Valid values are:
  - enabled | disabled

## Realm and Interface Associations

To link this H.323 interface to a realm and to an outgoing H.323 interface:

1. **realm-id**—Enter the identifier for the realm served by this H.323 interface. This parameter must be configured with a valid identifier value from a realm configuration.
2. **assoc-stack**—Enter the name of the outgoing H.323 interface that you want to associate with the H.323 interface you are configuring. To use realm bridging with static routing, you need to set the outgoing H.323 interface. If you do not enter a name, the Oracle® Enterprise Session Border Controller uses dynamic, policy-based selection using the local policy.

## H.323 Signaling Interface Settings

You can set the following parameters to define basic settings for your H.323 interface. This is where you set the IPv4 address for opening sockets, the RAS and Q.931 ports, and the maximum number of Q.931 calls that you want to allow.

This is also where you establish Annex E alternate transport. Annex E supports multiplexed call signaling over UDP so that call volume and performance are potentially enhanced. If you do not configure Annex E support, then this H.323 interface does not listen for Annex E requests.

To configure H.323 interface settings:

1. **local-ip**—Enter the IPv4 address that the H.323 interface uses when opening sockets; this is the default H.323 interface IPv4 address. You must use a valid IPv4 address. For example: 192.168.2.5. The default value is **0.0.0.0**.

2. **ras-port**—Enter the number of the port on the local IPv4 address (**local-ip**) on which the Oracle® Enterprise Session Border Controller listens for RAS requests. We recommend that you set this parameter to its default, the well-known port **1719**. The valid range is:
  - Minimum—0
  - Maximum—65535If you set this parameter to **0**, the Oracle® Enterprise Session Border Controller uses a port assigned by the operating system.
3. **q931-port**—Enter the number for the port on the local IP address for the Q.931 call signaling port. We recommend that you leave this parameter set to its default, **1720**. The valid range is:
  - Minimum—0
  - Maximum—65535
4. **q931-max-calls**—Enter the maximum number of concurrent Q.931 calls you want to allow. The default value is **200**; however, this value should be less than the maximum number of calls you set when configuring H.323 features. The valid range is:
  - Minimum—0
  - Maximum—65535If the number of received Q.931 calls exceeds this number, the H.323 interface returns a busy state.
5. **alternate-transport**—Enter a list of one or more Annex E IPv4 address and port combinations for alternate transport. If you do not configure this list, then the Oracle® Enterprise Session Border Controller does not listen for incoming Annex E requests. You must enter the IPv4 address and port combination in the following format, where the two are separated by a colon: **IPv4Address:Port**.

## H. 323 System Resource Allocation

You can set the following parameters to determine how many concurrent calls and concurrent channels you want to allow for each H.323 interface.

To allocate H.323 system resources:

1. **max-calls**—Enter the maximum number of concurrent calls allowed on this H.323 interface. The default value is **200**. The valid range is:
  - Minimum—0
  - Maximum—4294967295
2. **max-channels**—Enter the maximum number of concurrent channels allowed for each call associated with this H.323 interface. The default value is **6**. The valid range is:
  - Minimum—0
  - Maximum—4294967295

The Oracle® Enterprise Session Border Controller checks this parameter on initialization to reserve the appropriate network resources.

## H.323 Service Modes

When you set the H.323 service mode, you configure parameters that define what type of service an H.323 interface provides. These parameters govern how the interface functions when you want it to behave as a gatekeeper or as a gateway.

This is also where you set options that support particular H.323 features for a specific interface. These options are different from the ones you set in the global H.323 configuration because they apply only to the interface where you specify them.

## H.232 Service Modes Configuration

These are the ACLI parameters that you set:

<code>isgateway</code>	Enable the stack to run as a gateway
<code>registration-ttl</code>	Number of seconds before the registration becomes invalid
<code>terminal-alias</code>	List of aliases for terminal
<code>auto-gk-discovery</code>	Enable automatic gatekeeper discovery
<code>multicast</code>	RAS multicast address
<code>gatekeeper</code>	Gatekeeper's address and port
<code>gk-identifier</code>	Gatekeeper's identifier
<code>h245-tunneling</code>	Enable H.245 Tunneling support
<code>prefixes</code>	List of supported prefixes
<code>process-registration</code>	Enable Registration Request processing
<code>allow-anonymous</code>	allowed requests from H.323 realm

To configure the service mode for the H.323 interface:

1. **allow-anonymous**—Enter the admission control of anonymous connections from an H.323 realm accepted and processed by this H.323 stack. The default value is **all**. The valid values are:
  - **all**—Allow all anonymous connections
  - **agents-only**—Allow requests from session agents only
  - **realm-prefix**—Allow session agents and addresses matching the realm prefix
2. **is-gateway**—To use this interface as an H.323 gateway, leave this parameter set to **enabled**, its default value. If you want to use this interface as an H.323 gatekeeper, set this parameter to **disabled**. Valid values are:
  - enabled | disabled
3. **terminal-alias**—Enter a list of one or more aliases that identify the H.323 interface. This value is either the gateway alias or the gatekeeper identifier, depending on the mode you configure for the interface. The aliases are set in the `sourceInfo` information element of outgoing ARQs.

## Configuring Gateway Only Settings

If you are using the H.323 interface as a gateway, you might want to set registration time-out and address prefix parameters.

To configure gateway only settings:

1. **registration-ttl**—Enter the number of seconds before a registration becomes invalid. This value is used during the initial registration process. However, when a registration is confirmed, the time-to-live (TTL) value set by the gatekeeper in the Registration Confirm (RCF) message overrides this value. The default value is **120**. The valid range is:
  - Minimum—0
  - Maximum—4294967295
2. **prefixes**—Enter a list of prefixes for this H.323 interface. Possible prefix types include:
  - H.323 ID | E.164 | URL | IPv4 address

These prefixes are sent from a gateway interface to a gatekeeper and indicate valid prefixes accepted by that interface for incoming calls. They are used if the interface is configured as a gateway (the **is-gateway** parameter is set to enabled).

Your entries for this parameter must appear as they do in the following example:

```
e164=17817566800 url=http://www.companyname.com
h323-ID=xyz email=user@companyname.com
ipAddress=63.67.143.4:2000
```

## Gatekeeper Proxy Settings

If you are using the H.323 stack as a gatekeeper proxy, you might want to set:

- Whether registration processing is enabled or disabled
  - Whether or not this H.323 interface is signaling-only
  - At what H.225 call stage the H.245 procedures should be initiated
- To configure gatekeeper proxy settings:

1. **process-registration**—To have the Oracle® Enterprise Session Border Controller drop all RRQs, meaning that it does not acknowledge any requests, leave this parameter set to **disabled**, its default. To have the Oracle® Enterprise Session Border Controller process any RRQs that arrive on this H.323 interface, set this parameter to **enabled**. Valid values are:

- enabled | disabled

When registration processing is enabled and the Oracle® Enterprise Session Border Controller receives an RRQ on this H.323 interface, it will route the request to the appropriate gatekeeper. After the gatekeeper confirms that registration with an RCF, the Oracle® Enterprise Session Border Controller also confirms it with the endpoint that sent the RRQ. Then the registration becomes part of the Oracle® Enterprise Session Border Controller's registration cache. If this endpoint does not confirm the registration, then the Oracle® Enterprise Session Border Controller will reject the registration with an RRJ and will not cache it.

2. **proxy-mode**—Set this field to the proxy mode that you want to use for the signaling only operation mode. Valid values are:

- H.225 | H.245

You can leave this field blank (default) if you are not using a proxy mode.

3. **h245-stage**—Set this field to the stage at which the Oracle® Enterprise Session Border Controller transfers the H.245 address to the remote side of the call, or acts on the H.245 address sent by the remote side. The default value is **connect**. Valid values are:
  - Setup | Alerting | Connect | Proceeding | Early | Facility | noh245 | Dynamic

## H.323 Features

This section provides general descriptions of the H.323 features available on the Oracle® Enterprise Session Border Controller and instructs you in how to configure them. Not all of the features described in that chapter require configuration.

### Fast Start Slow Start Translations

The Oracle® Enterprise Session Border Controller can translate between Fast Start H.323 endpoints and Slow Start H.323 endpoints. Using this feature, you can reduce delay in establishing media, improve performance, and reduce network congestion caused by a high number of messages being exchanged. Fast Start and Slow Start calls handle information about media for a session in different ways. In a Fast Start call, information about the media is contained in the Setup message. In a Slow Start call, that information is exchanged between endpoints after the session has been established.

When you Fast Start/Slow Start translation, the Oracle® Enterprise Session Border Controller can take a Slow Start call from an H.323 endpoint that does not support Fast Start and re-initiate that call as Fast Start. It also allows an H.323 endpoint that does not support Fast Start to receive a Slow Start call from a Fast Start source because the Oracle® Enterprise Session Border Controller performs all necessary translations.

For the ACLI, the following parameters apply:

<code>fs-in-first-msg</code>	Fast Start must be sent in 1st response to Setup message
<code>call-start-fast</code>	Enable outgoing Fast Start call
<code>call-start-slow</code>	Enable outgoing Slow Start call
<code>media-profiles</code>	list of default media profiles used for outgoing call

### Fast Start to Slow Start Translation

The Oracle® Enterprise Session Border Controller supports translations from H.323 Fast Start to Slow Start. Using this feature, an H.323 endpoint that only supports Slow Start can call from a Fast Start source when that call goes through the Oracle® Enterprise Session Border Controller.

In a Fast Start call, the originating H.323 endpoint sends a `fastStart` element in its Setup message. This element contains H.245 OLC messages that allow Fast Start endpoints to establish a media stream when the call is connected. As a result fewer messages are exchanged between the H.323 endpoints than there would be for a Slow Start call (where the `fastStart` element does not appear). Because media

information is sent in the Setup request for the session, there is no need to use the media profiles when converting a Fast Start call to Slow Start.

When you enable the slow start option in the H.323 stack configuration, the Oracle® Enterprise Session Border Controller performs Fast Start to Slow Start conversion. During the translation, the Oracle® Enterprise Session Border Controller retains the media information included in the incoming Fast Start call as it negotiates a connection with the Slow Start endpoint. After a connection with the Slow Start endpoint has been established, the Oracle® Enterprise Session Border Controller negotiates the media capabilities.

## Slow Start to Fast Start Translation

When you configure your Oracle® Enterprise Session Border Controller to support H.323 Slow Start to Fast Start translations, you enable an H.323 endpoint that only supports Slow Start to initiate and sustain communication with an H.323 Fast Start endpoint. The Oracle® Enterprise Session Border Controller resolves the Slow Start limitation of exchanging information about media (OLC messages) after the call is connected. The OLC message opens a logical channel, or a unidirectional or bi-directional path used to transmit media packets. Using the Oracle® Enterprise Session Border Controller, you can negotiate the construction of media flows differently, which is described in this section.

When you enable the Fast Start option for calls in the H.323 stack configuration, the Oracle® Enterprise Session Border Controller performs the translation of a Slow Start call into Fast Start. When it receives a Slow Start call, the Oracle® Enterprise Session Border Controller determines its destination and the H.323 stack it uses for the outgoing call.

It is a requirement of this kind of translation that you configure and use media profiles. Since a Slow Start call does not negotiate media until after the call is connected, there needs to be an assumption made about the media to set up a Slow Start to Fast Start call. Media profiles fill this role, and they are assumed to be part of a correct configuration.

The following describes possible scenarios for Slow Start to Fast Start translations.

- When a Slow Start call arrives at the Oracle® Enterprise Session Border Controller and matches one of the session agents that has a media profiles list configured, the outgoing call is set up as a Fast Start call. The session agent's media profiles are used for the logical channels. You must configure the media profiles to reference a codec the endpoint accepts. If there are no media profiles configured for the session agent, then the Oracle® Enterprise Session Border Controller uses the media profiles list in the H.323 stack configuration to open the logical channels.
- If a Slow Start call arrives at the Oracle® Enterprise Session Border Controller and its destination does not match one of the session agents, the Oracle® Enterprise Session Border Controller uses the media profiles list in the H.323 stack configuration for the outgoing call. If there is a list of media profiles, the outgoing call is set up as a Fast Start call with the media profiles list used to open the logical channels. If there is no list of media profiles for the outgoing H.323 interface, the Oracle® Enterprise Session Border Controller does not perform Slow Start to Fast Start translation. The Slow Start call exits the Oracle® Enterprise Session Border Controller as it arrived—as a Slow Start call.

- If the egress H.323 interface has the Fast Start option disabled, then the outgoing call uses the Slow Start mode, and the Oracle® Enterprise Session Border Controller does not perform Slow Start to Fast Start translation. In this case, the Slow Start call also exits the Oracle® Enterprise Session Border Controller as it arrived—as a Slow Start call.

## Slow Start Fast Start Prerequisites

To perform Fast Start/Slow Start translations, you need to have a standard two-interface configuration already in place.

If you are using the Slow Start to Fast Start translations, you must configure appropriate entries in the media profiles list which is part of the translation parameters. The Fast Start/Slow Start Translations section of the Oracle® Enterprise Session Border Controller Feature chapter describes how the media profiles are used. The list contains the names of media profiles that you configure in the media profile configuration.

Some media profiles are configured by default. If the information you have configured for a media profile does not match up with the defaults, your configuration takes precedence. If there are no configuration overlaps, then the Oracle® Enterprise Session Border Controller loads the configured and default profiles. The default media profiles are:

Type	Payload	Encoding	Bandwidth
audio	0	PCMU	0
audio	2	G726-32	0
audio	4	G723	0
audio	8	PCMA	0
audio	9	G722	0
audio	15	G728	0
audio	18	G729	0
audio	101	telephone-events	0

Ensure that you use the name of a configured media profile when you enter values in the media profiles list.

## Media Profile Configuration

In the CLI, you can set media profiles that are required for translating H.323 Slow Start to Fast Start. In the CLI, you set the following:

```

name                encoding name used in sdp rtpmap attribute
media-type          media type used in sdp m lines
payload-type        rtp payload type used in sdp m lines
transport           transport protocol used in sdp rtpmap attribute
req-bandwidth       amount of bandwidth in kilobits required
frames-per-packet   maximum number of frames per packet
parameters          list of <name=value> pairs separated by space
average-rate-limit  average rate limit of rtp flow

```

To configure a media profile:

1. In Superuser mode, type **configure terminal** and press Enter.

```
ORACLE# configure terminal
```

2. Type **session-router** and press Enter to access the session-related configurations.

```
ORACLE(configure)# session-router
```

3. Type **media-profile** and press Enter. The system prompt changes to let you know that you can begin configuring individual parameters.

```
ORACLE(session-router)# media-profile
```

From this point, you can configure media profiles parameters. To view all media profiles configuration parameters, enter a **?** at the system prompt.

4. **name**—Enter the encoding name used in the SDP rtpmap attribute. You must enter a name to uniquely identify the media profile, and you will use this value to make lists of media profiles in H.323 interface configurations.
5. **media-type**—Leave this parameter set to its default, **audio**. Valid values are:
  - audio | video | application | data | image | text
6. **payload-type**—Enter the payload type number that corresponds to the encoding name you entered in Step 4. This value identifies the format in the SDP m lines. There is no default value for this parameter. The About Payload Types section contains a table of standard audio and visual encodings.

**Note:**

When you use the RTP/AVP transport method, this value must be numeric.

7. **transport**—Enter the type of transport protocol used in the SDP rtpmap attribute. The default is **RTP/AVP**. Valid values are:
  - RTP/AVP | UDP
8. **req-bandwidth**—Enter the total bandwidth in kilobits that the media requires. The default value is **0**. The valid range is:
  - Minimum—0
  - Maximum—4294967295
9. **frames-per-packet**—Enter the maximum number of frames to use per RTP packet. Leaving this parameters set to **0**, its default value means that it is not being used. The valid range is:
  - Minimum—0
  - Maximum—256

The interpretation of this value varies with codec type and with specific codec.



- For frame-based codecs, the frame size is specific to each. For example, a G.729 frame contains ten milliseconds of audio, while a G.723.1 codec frame contains thirty milliseconds.
  - For sample-based codecs such as G.711, each frame contains one millisecond of audio.
10. **parameters**—Enter additional codec information. For example, the G.723.1 codec can have an additional `silenceSuppression` parameter.
  11. **average-rate-limit**—Enter the maximum speed in bytes per second for the flow that this media profile applies to. The default value is **0**. The valid range is:
    - Minimum—0
    - Maximum—125000000
  12. **peak-rate-limit**—Enter the peak rate for RTP flows in bytes per seconds. The default is **0**. The valid range is:
    - Minimum—0
    - Maximum—125000000
  13. **max-burst-size**—Enter the maximum data size at peak rate in bytes. The default is **0**. The valid range is:
    - Minimum—0
    - Maximum—125000000
  14. **sdp-bandwidth**—Enable this parameter to use the AS bandwidth modifier in the SDP in the conditions for the application specific bandwidth modifier. The default is **disabled**. Valid values are:
    - `enabled | disabled`
  15. **sdp-rate-limit-headroom**—Specify the percentage of headroom to be added while using the AS bandwidth parameter while calculating the **average-rate-limit** (rate limit for the RTP flow). The default is **0**. The valid range is:
    - Minimum—0
    - Maximum—100

## Fast Start/Slow Start Configurations

When you configure an H.323 interface, you configure it for either Fast Start to Slow Start translation or for Slow Start to Fast Start translation. You cannot configure one H.323 interface for both translation modes.

In the ACLI, you will set the following:

<code>fs-in-first-msg</code>	Fast Start must be sent in 1st response to Setup message
<code>call-start-fast</code>	Enable outgoing Fast Start call
<code>call-start-slow</code>	Enable outgoing Slow Start call
<code>media-profiles</code>	list of default media profiles used for outgoing call

To configure H.323 interfaces for Fast Start/Slow Start translations:

1. In Superuser mode, type **configure terminal** and press Enter.

```
ORACLE# configure terminal
```

2. Type **session-router** and press Enter to access the session-related configurations.

```
ORACLE(configure)# session-router
```

3. Type **h323** and press Enter.

```
ORACLE(session-router)# h323
```

4. Type **h323-stacks** and press Enter.

```
ORACLE(h323)# h323-stacks  
ORACLE(h323-stacks)#
```

From this point, you can configure H.323 interface and service mode parameters. To view all H.323 interface parameters, enter a **?** at the system prompt. The display also includes H.323 service mode parameters.

5. **fs-in-first-msg**—Enable this parameter if you want to include Fast Start fields in the first message that the Oracle® Enterprise Session Border Controller uses to respond to a Setup message. Usually, the first message sent is a Proceeding message. If you do not want Fast Start fields included, leave this parameter set to its default value **disabled**. Valid values are:
  - enabled | disabled
6. **call-start-fast**—Enable this parameter if you want Slow Start calls to be translated to Fast Start when this H.323 interface is chosen as the outgoing interface. If this parameter is **enabled**, **call-start-slow** has to remain disabled. The default value is **enabled**. Valid values are:
  - enabled | disabled

If you set this parameter set to disabled (default), the outgoing call will be set up in the same mode as the incoming call.
7. **call-start-slow**—Enable this parameter if you want Fast Start calls to be translated to Slow Start when this H.323 interface is chosen as the outgoing interface. If this parameter is **enabled**, **call-start-fast** has to remain disabled. The default value is **disabled**. Valid values are:
  - enabled | disabled

If you leave this parameter set to **disabled**, the outgoing call will be set up in the same mode as the incoming call.
8. **media-profiles**—Enter the list of media profiles that you want to use when translating Slow Start calls to Fast Start. This information is used to open logical channels for the outgoing call.

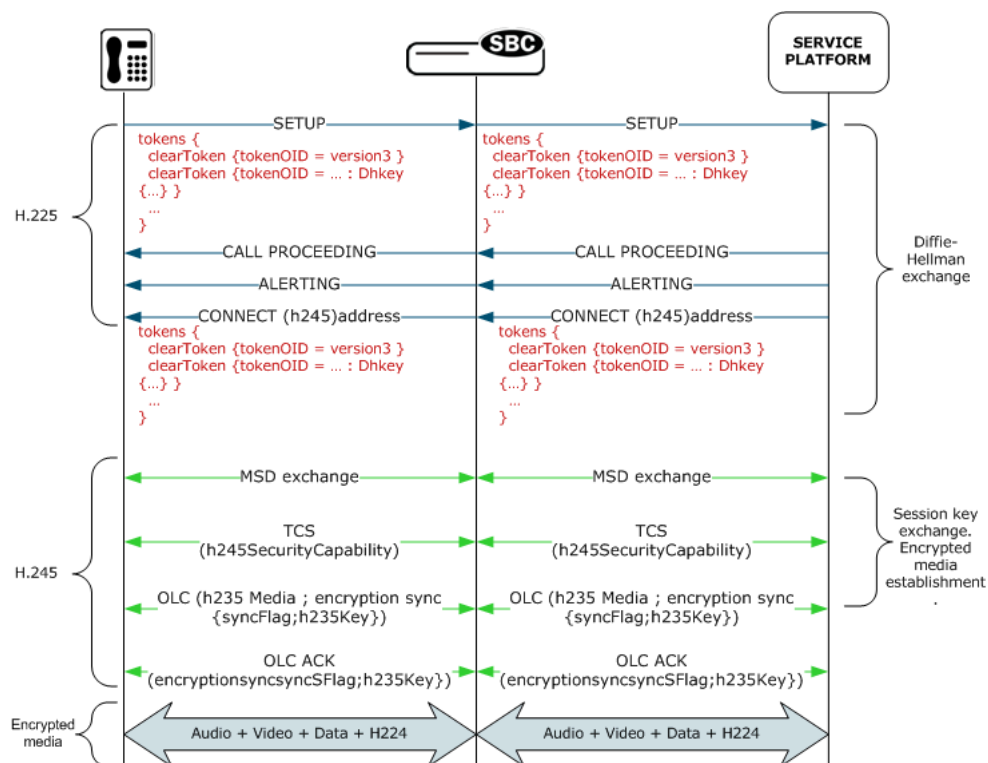
If you enter the name of a media profile that does not exist, the Oracle® Enterprise Session Border Controller will not perform translation. If you leave this parameter empty, the Oracle® Enterprise Session Border Controller will not perform translation.

## H.235 Encryption

Following the ITU-T H.235 encryption standard, the Oracle® Enterprise Session Border Controller allows media (audio, video, and data) media that has already been encrypted by endpoints to pass through it, thereby supporting videoconferencing applications where media confidentiality is key. The ITU-T standard provides a profile with key management using Diffie-Hellman keys and the specification of an encryption algorithm.

Specifically, the Oracle® Enterprise Session Border Controller permits the following:

- H.225 Setup and connect—The tokens parameter and its subfields in H.225 Setup and Connect message to pass transparently through the Oracle® Enterprise Session Border Controller
- H.245 Terminal CapabilitySet—The H.245 TerminalCapabilitySet messages to pass transparently through the Oracle® Enterprise Session Border Controller, including:
  - Audio, video, and data capabilities
  - The h235SecurityCapability capability
- H.245 OpenLogicalChannel and OpenLogicalChannelAck—OLC messages with dataType h235Media to pass transparently through the Oracle® Enterprise Session Border Controller; to accomplish this, the Oracle® Enterprise Session Border Controller uses the mediaType subfield instead of the dataType field when the dataType is h235Media. The encryptionSync parameter and its subfields found in OLC and OLCAck messages to pass transparently through the Oracle® Enterprise Session Border Controller.



You do not need to follow special configuration steps to enable this functionality; it works automatically.

## RFC 2833 DTMF Interworking

This section explains the Oracle® Enterprise Session Border Controller's support of transporting Dual Tone Multi-Frequency (DTMF) in Real-Time Transport Protocol (RTP) packets (as described in RFC 2833) to H.245 User Input Indication (UII).

Multimedia devices and applications must exchange user-input DTMF information end-to-end over IP networks. The Oracle® Enterprise Session Border Controller provides the interworking capabilities required to interconnect networks that use different signaling protocols. Also, the Oracle® Enterprise Session Border Controller provides DTMF translation to communicate DTMF across network boundaries.

The Oracle® Enterprise Session Border Controller supports RFC 2833 to H.245 UII translation for H.323-to-H.323 calls, when one side is a version 4 H.323 device requiring RFC-2833 DTMF event packets, and the other side is a pre-version 4 H.323 device that only uses H.245 UII.

### About RFC 2833

RFC 2833 specifies a way of encoding DTMF signaling in RTP streams. It does not encode the audio of the tone itself, instead a signal indicates the tone is being sent. RFC 2833 defines how to carry DTMF events in RTP packets. It defines a payload format for carrying DTMF digits used when a gateway detects DTMF on the incoming messages and sends the RTP payload instead of regular audio packets.

### About H.245 UII

H.245 provides a capability exchange functionality to allow the negotiation of capabilities and to identify a set of features common to both endpoints. The media and data flows are organized in logical channels. H.245 provides logical channel signaling to allow logical channel open/close and parameter exchange operations. The H.245 signaling protocol is reliable, which ensures that the DTMF tones will be delivered.

H.245 User Input Indication (UII) plays a key role in all the services that require user interaction. For video messaging, typical uses of UII include selection of user preferences, message recording and retrieval, and typical mailbox management functions. H.245 UII provides two levels of UII, alphanumeric and signal.

### About 2833 to H.245 UII Interworking

The Oracle® Enterprise Session Border Controller provides 2833 to H.245-UII interworking by checking 2833-enabled RTP streams for packets matching the payload type number for 2833. It then sends the captured packet to the host for processing and translation to H.245 UII messages. A H.245 UII message received by the Oracle® Enterprise Session Border Controller is translated to 2833 packets and inserted into the appropriate RTP stream.

### Flow Control Mapping for Interworking Function (IWF) Video

H.245 is a protocol for the transmission of call management and control signals in networks using H.323 equipment. The H.245 specification is used in audio, video, and data transmissions, as well as in voice over IP (VoIP). H.245 messages are sent over special channels called H.245 control channels.

H.245 signaling is used to manage and control call setup and connection. Functions of H.245 include determining which endpoint is to be the master and which is to be the slave during the call, opening and closing of multiplexed data-transfer paths between the endpoints, establishing an upper limit to the data transfer speed on each logical channel, information exchanges between endpoints concerning the types of data each endpoint can send and receive, requests by the receiving endpoint for changes in the mode of the data sent by the transmitting endpoint, and requests by either endpoint to end the call.

In the H.245 standard, the FlowControlCommand message is used to specify the upper limit of bit rate of either a single logical channel or the whole multiplex. The following is an excerpt from the H.245 standard.

Command Message: Flow Control (from H.245 standard)

```
=====
FlowControlCommand ::= SEQUENCE
{
    scope CHOICE
    {
        logicalChannelNumber LogicalChannelNumber,
        resourceID INTEGER (0..65535),
        wholeMultiplex NULL
    },
    restriction CHOICE
    {
        maximumBitRate INTEGER (0..16777215), -- units 100 bit/s
        noRestriction NULL
    },
    ...
}
=====
```

A terminal may send this command to restrict the bit rate that the far-end terminal sends. A receiving terminal must comply with this command.

In an H.323 environment, the Oracle® Enterprise Session Border Controller previously used the FlowControlCommand to map to SIP using either the Real-Time Control Protocol (RTCP) feedback function, or the SIP signaling path (for example, the INFO method).

The Oracle® Enterprise Session Border Controller now supports the SIP counter part of the H.245 FlowControlCommand using the SIP signaling path with the INFO method. The Oracle® Enterprise Session Border Controller sends the SIP INFO message with "change\_bitrate" rate parameter that has the value 100\* maxBitRate from the corresponding H.245 FlowControlCommand message. For example, in the following messages, the incoming H.323 message with the H.245 FlowControlCommand, is converted into the outgoing SIP INFO message with the message body.

Incoming H.323 Message with H.245 FlowControlCommand:

```
H.245
PDU Type: command (2)
    command: flowControlCommand (4)
        flowControlCommand
```

```
scope: logicalChannelNumber (0)
      logicalChannelNumber: 102
restriction: maximumBitRate (0)
      maximumBitRate: 4480
```

### Outgoing SIP INFO Message:

#### Message Body

```
eXtensible Markup Language
<?xml
  version="1.0"
  encoding="utf-8"
  ?>
<media_control>
  <vc_primitive>
    <to_encoder>
      <change_bitrate>
        4480000
      </change_bitrate>
    </to_encoder>
  </vc_primitive>
</media_control>
```

## About DTMF Transfer

DTMF transfer is the communication of DTMF across network boundaries. It is widely used in applications such as interactive voice response (IVR) and calling card applications.

The multiple ways to convey DTMF information for packet-based communications include:

- **In-band audio:** DTMF digit waveforms are encoded the same as voice packets. This method is unreliable for compressed codecs such as G.729 and G.723
- **Out-of-band signaling events:** H.245 defines out-of-band signaling events (UII) for transmitting DTMF information. The H.245 signal or H.245 alphanumeric methods separate DTMF digits from the voice stream and send them through the H.245 signaling channel instead of through the RTP channel. The tones are transported in H.245 UII messages.  
  
All H.323 version 2 compliant systems are required to support the H.245 alphanumeric method, while support of the H.245 signal method is optional.
- **RTP named telephony events (NTE):** uses NTE to relay DTMF tones, which provides a standardized means of transporting DTMF tones in RTP packets according to section 3 of RFC 2833.

Of the three RTP payload formats available, the Oracle® Enterprise Session Border Controller supports RTP NTE.

RFC 2833 defines the format of NTE RTP packets used to transport DTMF digits, hookflash, and other telephony events between two peer endpoints. With the NTE method, the endpoints perform per-call negotiation of the DTMF transfer method. They also negotiate to determine the payload type value for the NTE RTP packets.

The NTE payload takes the place of codec data in a standard RTP packet. The payload type number field of the RTP packet header identifies the contents as 2833 NTE. The payload type number is negotiated per call. The local device sends the payload type number to use for 2833 telephone event packets using a SDP or H.245 Terminal Capability Set (TCS), which tells the other side what payload type number to use when sending the named event packets to the local device. Most devices use payload type number 101 for 2833 packets, although no default is specified in the standard.

The 2833 packet's RTP header also makes use of the timestamp field. Because events often last longer than the 2833 packets sending interval, the timestamp of the first 2833 packet an event represents the beginning reference time for subsequent 2833 packets for that same event. For events that span multiple RTP packets, the RTP timestamp identifies the beginning of the event. As a result, several RTP packets might carry the same timestamp.

See RFC 2833 and draft-ietf-avt-rfc2833bis-07.txt for more information.

## Preferred and Transparent 2833

To support preferred (signaled) 2833 and transparent 2833, the Oracle® Enterprise Session Border Controller provides 2833 detection and generation (if necessary) when the endpoint signals support for 2833.

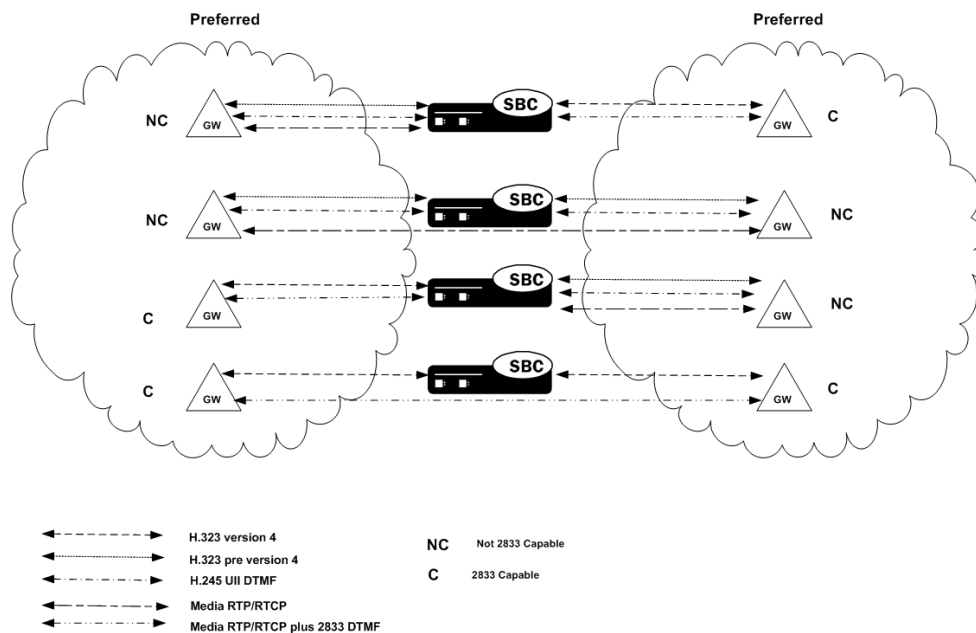
- Preferred: the Oracle® Enterprise Session Border Controller only generates and detects 2833 for endpoints if they negotiate support for 2833 through signaling
- Transparent: the Oracle® Enterprise Session Border Controller behaves as it has prior to this release, offering and answering based on end-to-end signaling and transparently relaying 2833

## Preferred 2833 Support

If one side of the call, or a session agent, is configured for preferred 2833, the Oracle® Enterprise Session Border Controller only generates and detects 2833 for endpoints if they signal support for 2833. The Oracle® Enterprise Session Border Controller will offer 2833 in the TCS SDP, even if the originating caller did not.

- When the Oracle® Enterprise Session Border Controller manages calls originating from a preferred source going to a preferred target, it:  
Performs 2833 translation for an endpoint when the originating side requests 2833 but the target does not negotiate 2833  
  
Allows 2833 to pass through if the originating side and target of the call are configured as preferred and negotiate 2833
- When the Oracle® Enterprise Session Border Controller manages calls originating from a preferred source going to a transparent target, it:  
Performs 2833 translation when the originating side requests 2833 but the target is configured as transparent and does not negotiate 2833.

Allows 2833 to pass through if the originating side and the target of the call are configured as transparent and negotiate 2833. The Oracle® Enterprise Session Border Controller does not perform active translation because both ends support 2833.



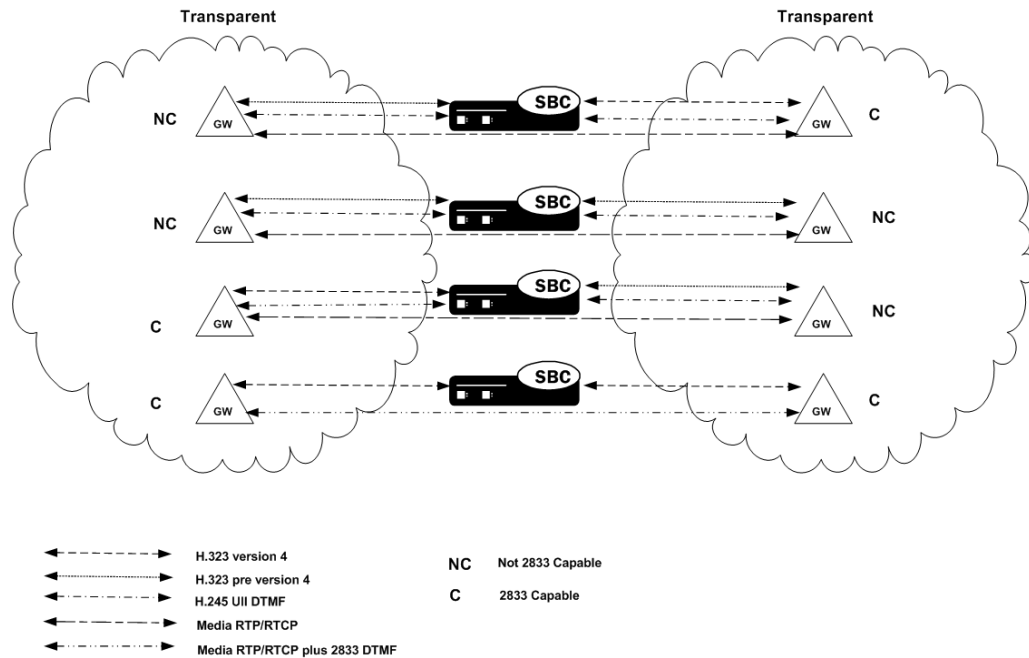
## Transparent 2833 Support

The default configuration of the Oracle® Enterprise Session Border Controller for H.323 is transparent 2833. The Oracle® Enterprise Session Border Controller passes on the offered capabilities to the next-hop signaling element. If the next-hop endpoint is for a transparent 2833 target, typical capability negotiation determines the DTMF method. The Oracle® Enterprise Session Border Controller transparently relays the DTMF as it has in previous releases.

With transparent 2833, the Oracle® Enterprise Session Border Controller acts as a typical B2BUA or B2BGW/GK. However when the target of the call is configured as preferred 2833, the Oracle® Enterprise Session Border Controller:

- Relays the 2833 packets if the originating endpoint signals 2833 and the next-hop endpoint for the preferred target signals 2833
- Performs 2833 translation if the originating endpoint does not signal 2833 and the next-hop endpoint for the preferred target does signal 2833
- Does not perform 2833 translation or transparently relay 2833 if the originating endpoint signals 2833 and the next-hop endpoint for the preferred target (or even a transparent 2833 target) does not signal 2833.





## Basic RFC 2833 Negotiation Support

If H.323 or session agents on either side of the call are configured for preferred 2833 support, the Oracle® Enterprise Session Border Controller supports end-to-end signaled negotiation of DTMF on a call-by-call basis. If the calling party is not configured for preferred support but sends 2833, the Oracle® Enterprise Session Border Controller sends 2833 to the next-hop called party. If the calling party sends H.245 signals or alphanumeric UII, the Oracle® Enterprise Session Border Controller sends H.245 signals or alphanumeric UII to the next-hop called party (if it is an H.323 next-hop).

The Oracle® Enterprise Session Border Controller also supports hop-by-hop negotiation of DTMF capability on a call-by-call basis, if the signaling protocols or session agents on either side of the call are configured for preferred 2833 support.

## H.323 to H.323 Negotiation

The Oracle® Enterprise Session Border Controller serves as the H.323 called gateway. It answers RFC 2833 audio telephony event capability in the version 4 H.323/H.245 TCS when it receives a call from an H.323 endpoint configured for preferred RFC 2833.

If the Oracle® Enterprise Session Border Controller is the answering device, configured for preferred support, and the calling device sends 2833, the Oracle® Enterprise Session Border Controller accepts the 2833 regardless of the next-hop's DTMF capabilities. The received dynamic RTP payload type is used for detecting 2833 packets, while the response dynamic payload type is used for generating 2833 packets.

The Oracle® Enterprise Session Border Controller supports:

- RFC-2833 audio telephony events in the version 4 H.323/H.245 TCS as the H.323 calling gateway, when the Oracle® Enterprise Session Border Controller

calls an H.323 endpoint configured for preferred RFC 2833 support. The Oracle® Enterprise Session Border Controller sends 2833 to the called party regardless of whether the calling party sends it.

- H.245 UUI and RFC-2833 packets sent at the same time, to the same endpoint, even if only half of the call is being provided 2833 support by the Oracle® Enterprise Session Border Controller.  
If one half of the call supports H.245 UUI, and the other half is being provided 2833 translation by the system, the Oracle® Enterprise Session Border Controller can also forward the H.245 UUI it receives to the 2833 endpoint. For example, when the signaling goes through a gatekeeper or third party call control, sending the H.245 UUI in the signaling path allows those devices to learn the DTMF digits pressed.

## Signal and Alpha Type Support

The Oracle® Enterprise Session Border Controller supports:

- H.245 signal and alpha type UUI in the H.323/H.245 TCS as the H.323 calling gateway when the:  
Oracle® Enterprise Session Border Controller calls an H.323 endpoint configured for transparent 2833 support  
calling endpoint's target is configured as preferred  
  
If the originating preferred side also sends 2833, the Oracle® Enterprise Session Border Controller forwards it to the transparent side. The Oracle® Enterprise Session Border Controller sends signal and alpha UUI support to the called party regardless of whether the calling party sends it, if the call originates from a preferred side to a transparent side.
- H.245 alphanumeric UUI for DTMF for H.323 endpoints that do not signal 2833 or contain explicit H.245 UUI capability, for stacks configured for transparent 2833 support.  
When the other half of the call is an H.323 endpoint of a stack configured for preferred 2833, the Oracle® Enterprise Session Border Controller translates incoming H.245 UUI on the transparent side, to 2833 packets on the preferred side, and vice versa. If the other half of the call is an H.323 endpoint of a transparent stack, the Oracle® Enterprise Session Border Controller relays the H.245 UUI messages.
- H.245 signal type UUI for DTMF for H.323 endpoints that do not signal 2833, but do signal explicit H.245 UUI capability, for stacks configured for transparent 2833 support.  
When the other half of the call is an H.323 endpoint of a stack configured for preferred 2833, the Oracle® Enterprise Session Border Controller translates incoming H.245 signaled UUI on the transparent side, to 2833 packets on the preferred side, and vice versa. If the other half of the call is an H.323 endpoint of a transparent stack, the Oracle® Enterprise Session Border Controller relays the H.245 UUI messages if both sides support it.

## H.323 Endpoints

Because there are different H.323 endpoints based on different versions of H.323, the DTMF can be either be transferred out-of-band as UUI or in-band using RFC 2833. Most H.323 endpoints:

- version 4 and above support RFC 2833

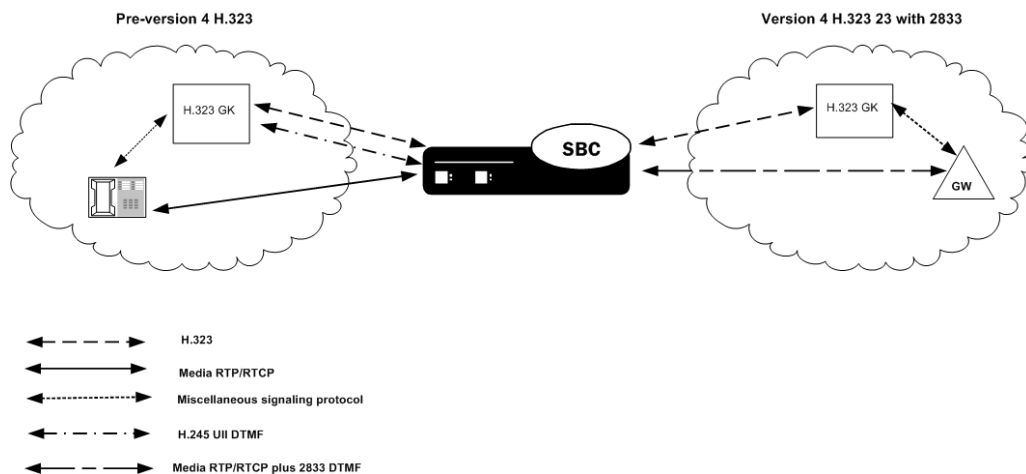
- version 2 and pre-version 4 support UII-Signal
- version 1 and pre-version 2 support UII-Alphanumeric

## Translating H.245 UII to 2833 for H.323 Calls

A majority of H.323 endpoints are not version 4 H.323 compliant and do not support RFC 2833 for DTMF transfer. However, some networks include version 4 H.323 devices that require the DTMF events to be signaled in 2833 packets. Network-based version 4 H.323 gateways use RFC 2833 instead of H.245 UII. (Version 4 H.323 devices should support H.245 UII.)

The Oracle® Enterprise Session Border Controller translates 2833 to H.245 UII for H.323-to-H.323 calls when one side is a version 4 H.323 device requiring RFC-2833 DTMF event packets, and the other side is a pre-version 4 H.323 device which only uses H.245 UII.

The Oracle® Enterprise Session Border Controller can translate H.245 UII to RFC2833 and back, based on the admin configuration and H.245 TCS exchanges. This translation enables DTMF to work end-to-end.



## RFC 2833 Mode Configuration

To configure RFC 2833 mode:

1. In Superuser mode, type **configure terminal** and press Enter.

```
ORACLE# configure terminal
```

2. Type **session-router** and press Enter to access the media-related configurations.

```
ORACLE(configure)# session-router
```

3. Type **h323** and press Enter.

```
ORACLE(session-router)# h323
```

4. Type **h323-stacks** and press Enter.

```
ORACLE(h323)# h323-stacks
ORACLE(h323-stack)#
```

From this point, you can configure H.323 stack parameters. To view all H.323 stack parameters, enter a **?** at the system prompt.

5. **rfc2833-mode**—Set the RFC2833 mode. The default value is **transparent**. The valid values are:
  - **transparent**—The Oracle® Enterprise Session Border Controller and H.323 stack behave exactly the same way as before and the 2833 or UUI negotiation is transparent to the Oracle® Enterprise Session Border Controller.
  - **preferred**—The H323 stack uses 2833 for DTMF transfer, which it signals in its TCS. However, the remote H323 endpoint makes the decision. If the endpoint supports 2833, 2833 is used. If not, the H.323 stack reverts back to using UUI. You configure the payload format by configuring the h323-config element.

## RFC 2833 Payload Configuration

To configure the RFC 2833 payload in preferred mode:

1. In Superuser mode, type **configure terminal** and press Enter.

```
ORACLE# configure terminal
```

2. Type **session-router** and press Enter to access the session-related configurations.

```
ORACLE(configure)# session-router
```

3. Type **h323** and press Enter. The system prompt changes to let you know that you can begin configuring individual parameters.

```
ORACLE(session-router)# h323
```

From this point, you can configure global H.323 parameters. To view all H.323 configuration parameters, enter a **?** at the system prompt.

4. **rfc2833-payload**—Enter a number that indicates the payload type the Oracle® Enterprise Session Border Controller will use for RFC 2833 packets while interworking 2833 and UUI. The default value is **101**. The valid range is:
  - Minimum—96
  - Maximum—127

You configure session agents with:

- payload type the Oracle® Enterprise Session Border Controller wants to use for RFC 2833 packets while interworking 2833 and UUI. The default value for this attribute is **0**. When this value is zero, the global rfc2833-payload configured in the h323-configuration element will be used instead. For SIP session agents, the payload defined in the SIP interface is used, if the SIP interface is configured with the preferred RFC 2833 mode.

- 2833 mode  
A value of transparent or preferred for the session agent's 2833 mode will override any configuration in the h323-stack configuration element.

## RFC 2833 SA Configuration

To configure session agents:

1. In Superuser mode, type **configure terminal** and press Enter.

```
ORACLE# configure terminal
```

2. Type **session-router** and press Enter to access the system-level configuration elements.

```
ORACLE(configure)# session-router
```

3. Type **session-agent** and press Enter. The system prompt changes to let you know that you can begin configuring individual parameters.

```
ORACLE(session-router)# session-agent  
ORACLE(session-agent)#
```

4. **rfc2833-mode**—Set the RFC 2833 mode you want the session agent to use. The default is **none**. The valid values are:
  - **none**—2833 to U11 interworking is based on the H.323 stack configuration.
  - **transparent**:—The 2833 or U11 negotiation is transparent to the Oracle® Enterprise Session Border Controller. This overrides the H.323 stack configuration, even if the stack is configured for preferred mode.
  - **preferred**:—2833 for DTMF transfer is preferred, which is signaled in the TCS. If the endpoint supports 2833, 2833 is used. If not, the H.323 stack configured as preferred will revert back to using U11. This overrides any configuration in the h323-stack even if the stack is configured for transparent mode.
5. **rfc2833-payload**—Enter a number that indicates the payload type the session agent will use for RFC 2833 packets while interworking 2833 and U11. The default value is **0**. The valid range is:
  - Minimum—0, 96
  - Maximum—127

## H.323 Registration Proxy

The Oracle® Enterprise Session Border Controller provides a registration proxy feature that allows a gatekeeper to authenticate a registration before accepting it. This feature is key when two factors are present: authentication is required, and an RRQ from an endpoint includes a token and/or cryptographic token. If authentication for that endpoint is to work, the Oracle® Enterprise Session Border Controller must forward the registration requests received from the endpoint to the gatekeeper separately. When you do not use the H.323 registration proxy, the Oracle® Enterprise Session Border Controller combines all registrations received from H.323 endpoints into a single RRQ and sends it to the gatekeeper. Using the H.323 registration proxy,

you can configure the Oracle® Enterprise Session Border Controller to use separate forwarding.

When registration requests are forwarded separately, each RRQ must have a unique CSA. This means that the Oracle® Enterprise Session Border Controller must perform a one-to-one translation of the CSA in the incoming RRQ to a distinct transport address. The translated address replaces the endpoint's CSA in the outgoing RRQ. Then the Oracle® Enterprise Session Border Controller must listen for incoming calls that arrive at this translated transport address for the registered endpoint.

## H.235 Authentication Transparency

When operating in this mode, H.235 authentication tokens (cryptotokens) in RAS messages proxied through the Oracle® Enterprise Session Border Controller are passed through transparently.

For applications where Oracle® Enterprise Session Border Controller is between H.323 gateways and a network hosted gatekeeper, the H.235 cryptotokens are passed through unmodified in RAS messages: RRQs, ARQs, and DRQs. This feature allows for secure gateway authentication.

## Unique CSA Per Registered Gateway

When operating in this mode, each CSA is mapped to a registered gateway for call routing. The core gatekeeper does not support additive registrations, so a different CSA must be used for each unique registration that goes to the gatekeeper. The gatekeeper does not overwrite previously registered aliases. Also, since the gatekeeper initiates calls to an endpoint on the CSA specified in the RRQ, the Oracle® Enterprise Session Border Controller must listen on the assigned address for incoming calls to that client as long as the client is registered.

## Virtual Call Signaling Address

You can configure the Oracle® Enterprise Session Border Controller with:

- A TCP port range for Q.931—Q.931 ports that are frontend ports handled by a real backend socket, and are therefore virtual
- ATCP port range for separate H.245 TCP connections—Actual sockets that the Oracle® Enterprise Session Border Controller handles separately

Virtual call signaling address is an H.323 call signaling address that is registered with a gatekeeper, but does not have a corresponding listening socket in the Oracle® Enterprise Session Border Controller. Using the virtual call signaling address means that numerous network transport addresses do not need to be allocated.

Virtual call signaling addresses work by attaching a range of TCP server ports to a single listening TCP socket. After a connection is accepted, the accepting socket created by the server socket operated normally, as though it were created by the server socket that listens on the same transport address as the destination of the arriving packet.

To use virtual call signaling addresses, you specify a Q.931 port range from which the Oracle® Enterprise Session Border Controller can allocate ports. This port range is associated with the virtual call signal IPv4 address you specify. To bind dynamic TCP connections to a port within a port range, you configure a dynamic H.245 port range. The dynamic H.245 port range refers to the separate TCP connection for H.245 that

takes place when tunneling is not being used. This enables the Oracle® Enterprise Session Border Controller to select the port to which the TCP socket is bound. These two port ranges cannot overlap.

When a new RRQ has to be forwarded to the gatekeeper, the Oracle® Enterprise Session Border Controller caches the registration and then forwards a modified copy of the RRQ. The Oracle® Enterprise Session Border Controller allocates a virtual call signal address on the gateway stack and uses it to replace the CSA of the registering endpoint in the forwarded RRQ.

## Virtual RAS Address

The Oracle® Enterprise Session Border Controller also allocates a virtual RAS address for each endpoint registration. Before forwarding an RRQ from an endpoint, the Oracle® Enterprise Session Border Controller replaces the RAS address of the registering endpoint with the virtual RAS address on the gateway interface.

## RAS Message Proxy

When the Oracle® Enterprise Session Border Controller's registration proxy feature is configured, RAS messages to and from endpoints are forwarded, except for the following: GRQ, GCF, GRJ, IRQ, IRR, IACK, and INACK. If the system receives a valid GRQ on the RAS port of the gatekeeper stack that supports H.323 registration, it responds with a GCF message. Otherwise, it sends a GRJ message.

If the gateway interface receives IRR or IRQ messages, the Oracle® Enterprise Session Border Controller attempts to respond based on the information about the call, and does not forward the messages.

Other RAS messages are forwarded after some modifications:

- Translating the transport address
- Deleting fields that the Oracle® Enterprise Session Border Controller does not support

## About Setting Port Ranges

When you configure the H.323 registration proxy feature, you set the Q.931 port range and the dynamic H.245 port range for H.245 connections. If you configure a Q.931 port range, you must also configure a dynamic H.245 port range.

These port ranges cannot overlap because of TCP ports must be unique. The dynamic H.245 port range is used to allocate a real TCP socket, but the Q.931 port range allocates a virtual call signaling address that does not have an associated listening TCP socket.

### Note:

You should choose these sockets with future Oracle® Enterprise Session Border Controller features about security in mind because future development will support performing admission control based on these port ranges. You will be able to set up filtering rules to allow only inbound packets to configured port ranges.

The following table shows how the Q.931 and dynamic H.245 port ranges work. If you set the start port of 1024 and the number of ports to 1024, you will have configured a port range that starts at 1024 and ends at 2047. So the final port in the range is the start port number added to the number of points, minus 1. Remember that you cannot overlap the Q.931 and dynamic H.245 port ranges. Notice that the higher the number of the start ports, the fewer ranges of ports you have remaining from which to choose.

Number of Ports	Start Port	n
1024	1024 * n	1-63
2048	2048 * n	1-31
4096	4096 * n	1-15
8192	8192 * n	1-7
16384	16384 * n	1-3
32768	32768 * n	1

## H.323 Registration Proxy Configuration

In the ACLI, the parameters that apply to this feature are:

```
q931-start-port      Starting port number for port range used for Q.931
call signalling
q931-number-ports   Number of ports in port range used for Q.931 call
signalling
dynamic-start-port  Starting port number for port range used for
dynamic TCP connections
dynamic-number-ports Number of ports in port range used for dynamic TCP
connections
```

To configure the H.323 registration proxy:

1. In Superuser mode, type **configure terminal** and press Enter.

```
ORACLE# configure terminal
```

2. Type **system** and press Enter to access the system-related configurations.

```
ORACLE(configure)# session-router
```

3. Type **h323** and press Enter.

```
ORACLE(session-router)# h323
```

4. Type **h323-stack** and press Enter.

```
ORACLE(h323)# h323-stacks
ORACLE(h323-stack)#
```

5. **q931-start-port**—Enter the number where you want the Q.931 port range to start. The default value is **0**. Valid values are:

- 0 | 1024 | 2048 | 4096 | 8192 | 16384 | 32768



6. **q931-number-ports**—Enter the number of ports to be included in the Q.931 port range to use for the call signalling address forwarded in the RRQ. The default value is **0**. Valid values are:

- 0 | 1024 | 2048 | 4096 | 8192 | 16384 | 32768

 **Note:**

If you have enabled process registration for this H.323 interface, this value must be set to zero because the interface is a gatekeeper that does not support the virtual call signaling address feature.

7. **dynamic-start-port**—Enter the number where you want the dynamic H.245 port range to start. The default value is **0**. Valid values are:
- 0 | 1024 | 2048 | 4096 | 8192 | 16384 | 32768
8. **dynamic-number-ports**—Enter the number of ports to be included in the Q.931 port range to use for the call signalling address forwarded in the RRQ. The default value is **0**. Valid values are:

- 0 | 1024 | 2048 | 4096 | 8192 | 16384 | 32768

## H.323 Registration Caching

The Oracle® Enterprise Session Border Controller can cache and proxy an H.225 RRQ between an H.323 endpoint and a gatekeeper. Registration caching has two benefits:

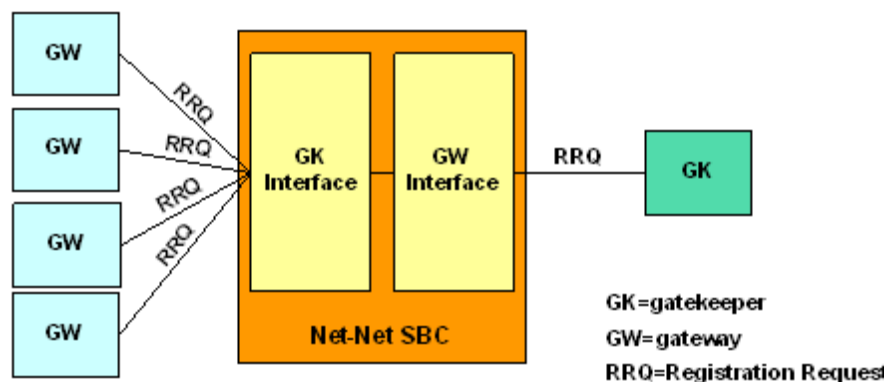
- It allows the aggregation of RRQs sent to a gatekeeper stack and proxies those requests through the gateway stack. If the external gatekeeper associated with the outbound (gateway) interface does not support additive registration, then the Oracle® Enterprise Session Border Controller consolidates the requests by placing them all in the same packet. Otherwise, additive registration is used on the outbound (gateway) interface.
- It allows the gatekeeper stack to use the registration information to route calls from other realms to the endpoints in its realm.

For registration caching, you need to configure at least two H.323 interfaces:

- One gatekeeper interface to receive registrations
- One gateway interface to proxy registrations

The Oracle® Enterprise Session Border Controller caches all successful registrations, using the cache to route calls back to the associated endpoint.

The following diagram shows how RRQs flow during registration caching.



## Caveats for Registration Caching

This feature has the following caveats:

- If a gateway stack receives a URQ message from the gatekeeper, it confirms the request with an UCF message. It flushes all registration caching for that stack. However, the Oracle® Enterprise Session Border Controller does not send URQs to the registered endpoints.
- The Oracle® Enterprise Session Border Controller must be rebooted so that the gateway interface can rediscover the gatekeeper under the following circumstances:

Automatic gateway discovery is turned on for the gateway interface by setting the automatic gateway discovery parameter to enabled.

## Configuration Requirements

For the Oracle® Enterprise Session Border Controller to determine where to route an RRQ, either the associated stack parameter or the gatekeeper identifier field is used.

First, the Oracle® Enterprise Session Border Controller uses the associated interface (assoc-stack) of the gatekeeper interface to find the interface for the outgoing RRQ. If you do not configure an associated interface and the incoming RRQ has a gatekeeperIdentifier field, the Oracle® Enterprise Session Border Controller finds a configured gateway interface with a matching gk-identifier field and use it as the outgoing interface. If the incoming RRQ does not have a gatekeeperIdentifier field and the gatekeeper interface has a configured gatekeeper identifier, the Oracle® Enterprise Session Border Controller finds a gateway interface with a gatekeeper identifier that matches the one set for the gatekeeper interface and then use it as the outgoing interface. If an outgoing interface cannot be determined, the Oracle® Enterprise Session Border Controller rejects the RRQ with the reason discoveryRequired.

A configured H.323 interface can be the gateway interface for more than one gatekeeper interface. If a call is received on the gateway interface, the registration cache will be queried to find a registration matching the call's destination. If a registration is found, the interface on which the registration was received will be used as the outgoing interface for the call.

Subsequent ARQ or URQ messages coming from a registered endpoint will be proxied to the gatekeeper using the outgoing gateway interface established during registration.

If a registration is not found, an ARJ or a URJ will be sent to the endpoint originating the ARQ or URQ.

A gatekeeper interface can respond to a GRQ if the GRQ is received on its RAS interface. The Oracle® Enterprise Session Border Controller supports GRQ on a multicast address.

## H.323 Registration Caching Configuration

In the ACLI, the parameters that apply to this feature are:

<code>isgateway</code>	Enable the stack to run as a gateway
<code>registration-ttl</code>	Number of seconds before the registration becomes invalid
<code>terminal-alias</code>	List of aliases for terminal
<code>gatekeeper</code>	Gatekeeper's address and port
<code>gk-identifier</code>	Gatekeeper's identifier

To configure the gateway interface parameters for registration caching:

1. In Superuser mode, type **configure terminal** and press Enter.

```
ORACLE# configure terminal
```

2. Type **system** and press Enter to access the system-related configurations.

```
ORACLE(configure)# session-router
```

3. Type **h323** and press Enter.

```
ORACLE(session-router)# h323
```

4. Type **h323-stack** and press Enter.

```
ORACLE(h323)# h323-stacks  
ORACLE(h323-stack)#
```

5. **isgateway**—Enable H.323 stack functionality as a Gateway. Leave this parameter set to its default, **enabled**, so the H.323 stack runs as a Gateway. When this field is set to **disabled**, the H.323 stack runs as a Gatekeeper proxy. Leave this parameter for the service mode set to its default, **enabled**. Valid values are:

- enabled | disabled

Enabling this parameter ensures that registration with the gatekeeper upon startup. It also ensures that all calls will be preceded by an ARQ to the gatekeeper for admission control.

6. **registration-ttl**—Set the registration expiration parameter to the value of the `timeToLive` field in the RRQ sent to the gatekeeper. The default is **120**. The valid range is:

- Minimum—0
- maximum—4294967295

When the Oracle® Enterprise Session Border Controller receives an RCF from the gatekeeper, it extracts the `timeToLive` field and uses that value as the time interval for keeping the registration of the gateway interface alive. The Oracle® Enterprise Session Border Controller sends a keep-alive RRQ about ten seconds before the registration expires.

The registration expiration you set value should not be too low because some gatekeepers simply accept the `timeToLive` in the RRQ, resulting in a potentially high volume of RRQs.

7. **terminal-alias**—Set this parameter if the gatekeeper requires at least one terminal alias in an RRQ. On startup, the gateway interface registers with the gatekeeper using this terminal alias.

When the Oracle® Enterprise Session Border Controller forwards an RRQ from an endpoint and if the gatekeeper does not support additive registration, the RRQ has the interface's terminal alias, the aliases of the registering endpoint, and other aliases of all registered endpoints. Otherwise, the RRQ only contains the aliases of the registering endpoint.

8. **gatekeeper** and **gk-identifier**—Configure these parameters if you do not want the Oracle® Enterprise Session Border Controller to perform automatic gatekeeper discovery. If the gatekeeper identifier is empty, then the Oracle® Enterprise Session Border Controller learns the gatekeeper identifier from the `gatekeeperIdentifier` field in the GCF.

## Configuring the Gatekeeper Interface for Registration Caching

In the ACLI, the parameters that apply to this feature are:

<code>isgateway</code>	Enable the stack to run as a gateway
<code>gatekeeper</code>	Gatekeeper's address and port
<code>gk-identifier</code>	Gatekeeper's identifier
<code>registration-ttl</code>	Number of seconds before the registration becomes invalid

To configure the gatekeeper interface parameters for registration caching:

1. In Superuser mode, type **configure terminal** and press Enter.

```
ORACLE# configure terminal
```

2. Type **system** and press Enter to access the system-related configurations.

```
ORACLE(configure)# session-router
```

3. Type **h323** and press Enter.

```
ORACLE(session-router)# h323
```

4. Type **h323-stack** and press Enter.

```
ORACLE(h323)# h323-stacks
ORACLE(h323-stack)#
```

5. **isgateway**—Set this parameter to **disabled** to run the H.323 stack as a Gatekeeper proxy.
6. **gatekeeper**—Leave this parameter empty.
7. **auto-discovery**—Disable the Automatic Gatekeeper discovery feature upon start-up. Set this parameter to **disabled**.
8. **gk-identifier**—Set this parameter to the identification of the gatekeeper to which RRQs received on this interface must be proxied.
9. **registration-ttl**—Enter the number of seconds to set the timeToLive field in the RCF destined for an endpoint. If you do not configure another value, this timer is set to **120** seconds (default).

This value should not be set too high or too low:

- Setting a value that is too high causes the registration to be alive too long. If an endpoint reboots during this interval and re-registers with the same terminal aliases (but changes its call signaling address), the registration will be rejected with the reason `duplicateAlias`.
- Setting a value that is too low puts an unnecessary load on the Oracle® Enterprise Session Border Controller because it has to handle keep-alive registrations from the endpoint constantly, especially when there are many registered endpoints. If an endpoint does not set the `timeToLive` field in its RRQ, the registration of that endpoint will not expire.

If an endpoint registers again without first unregistering itself (e.g., when it crashes and reboots), the Oracle® Enterprise Session Border Controller rejects the registration using the reason `duplicateAlias`. The Oracle® Enterprise Session Border Controller uses this reason when the endpoint's call signaling address (IP address and port) is changed but its terminal aliases remain the same.

## ACLI Registration Caching Configuration Example

In the following example, the H.323 gatekeeper interface (`h323-stack`) is private and the gateway interface (`h323-stack`) is public.

```

h323-config
state                enabled
log-level            DEBUG
response-tmo         4
connect-tmo          32
h323-stack
name                 private
state                disabled
realm-id             private
assoc-stack          public
local-ip             192.168.200.99
max-calls            200
max-channels         4
registration-ttl     120
terminal-alias
prefixes
ras-port             1719
auto-gk-discovery    disabled
multicast            0.0.0.0:0

```

```

gatekeeper                0.0.0.0:0
gk-identifier
q931-port                 1720
alternate-transport
q931-max-calls            200
h245-tunneling            disabled
fs-in-first-msg          disabled
call-start-fast          disabled
call-start-slow          disabled
media-profiles
process-registration      enabled
anonymous-connection     disabled
proxy-mode
filename
h323-stack
name                      public
state                    enabled
isgateway                enabled
realm-id                 public
assoc-stack              private
local-ip                 192.168.1.99
max-calls                 200
max-channels              2
registration-ttl         120
terminal-alias
prefixes
ras-port                  1719
auto-gk-discovery        disabled
multicast                0.0.0.0:0
gatekeeper                192.168.1.50:1719
gk-identifier            gk-public.acme.com
q931-port                 1720
alternate-transport
q931-max-calls            200
h245-tunneling            disabled
fs-in-first-msg          disabled
call-start-fast          disabled
call-start-slow          disabled
media-profiles
process-registration      disabled
anonymous-connection     disabled
proxy-mode
filename

```

## H.245 Stage

The Oracle® Enterprise Session Border Controller allows you to set the earliest stage in an H.323 call when the Oracle® Enterprise Session Border Controller initiates the procedure to establish an H.245 channel for the call. If you have enabled H.245 tunneling by setting the h245-tunneling parameter to enabled, then you do not need to configure your system for this feature.

The Oracle® Enterprise Session Border Controller initiates the H.245 procedure by either:

- Sending its H.245 address, or
- Creating a TCP connection to an H.245 address that it has received

You can set this parameter to any of the following stages of an H.323 call: setup, proceeding, alerting, connect, early, facility, noh245, and dynamic. With the exception of early, noh245, and dynamic, these values correspond to types of H.225/Q.931 messages. The dynamic value is described in detail in the next section.

When you configure the early value, your Oracle® Enterprise Session Border Controller begins the H.245 procedure at the time the Setup message is sent or received, or when the Connect message is received.

While these values allows for some flexibility about when the H.245 process is started, they are inherently static. All calls in the H.323 stack configuration use the same value, and it cannot be changed from call to call on that stack.

## Dynamic H.245 Stage Support

You can configure your Oracle® Enterprise Session Border Controller for dynamic H.245 support, meaning that the point at which the H.245 process begins can be determined dynamically. To support dynamic H.245, the Oracle® Enterprise Session Border Controller sends its H.245 address in the incoming call when it receives an H.245 address in the outgoing call.

### Dynamic H.245 Stage for Incoming Calls

When a call comes in on an H.323 interface that you have configured for dynamic H.245 stage support.

The Oracle® Enterprise Session Border Controller includes its H.245 address in the h245Address field of the first H.225/Q.931 message. The Oracle® Enterprise Session Border Controller does this after it receives the first H.225/Q.931 message with an H.245 address in the outgoing call. Based on the first H.225/Q.931 message received by the Oracle® Enterprise Session Border Controller that has an H.245 address, the Oracle® Enterprise Session Border Controller selects the message in which to include the H.245 address as outlined in the table below.

Message Received with H.245 Address	Message Sent with H.245 Address
Call Proceeding	Call Proceeding, Progress, Alerting, Connect or Facility. The H.245 address is sent in the Call Proceeding message if the system has not sent a Call Proceeding message in the incoming call. This is true only when you enable the Fast Start in first message parameter for the incoming stack; this parameter establishes whether or not Fast Start information must be sent in the first response to a Setup message. Otherwise, the message in which the H.245 address is sent depends on what message is received after the Call Proceeding message. This is because the Oracle® Enterprise Session Border Controller sends its Call Proceeding message directly after receiving the Setup message.
Progress	Progress

Message Received with H.245 Address	Message Sent with H.245 Address
Alerting	Alerting
Connect	Connect
Facility	Facility

When it receives the first H.225/Q.931 message with an H.245 address in the outgoing call, the Oracle® Enterprise Session Border Controller creates a listening socket on the incoming interface. It also includes the socket address and port in the H.245 address of the next H.225/Q.931 message that it sends. If there is no pending H.225/Q.931 message for the Oracle® Enterprise Session Border Controller to send, it instead sends a Facility message with the reason startH245. Then the H.245 channel is established when a TCP connection is made to the listening socket.

For the outgoing leg of a call that came in on the H.323 stack configured for H.245 dynamic stage support, the Oracle® Enterprise Session Border Controller starts establishing the H.245 channel when it receives the first H.225/Q.931 message with H.245 address information. It also starts to establish a TCP connection to the address and port specified in the H.245 address information. The H.245 channel for the outgoing call is established while the H.245 address (h245Address) is sent in the incoming call as described above.

## Dynamic H.245 Stage for Outgoing Calls

This section describes what happens when a message exits the Oracle® Enterprise Session Border Controller on an H.323 stack that you have configured for dynamic H.245 stage support.

When the Oracle® Enterprise Session Border Controller receives the first H.225/Q.931 message that has H.245 address information, it establishes an H.245 channel. The Oracle® Enterprise Session Border Controller initiates a TCP connection to the address and port specified in the H.245 address information.

If the incoming call for the session is also on an H.323 stack with dynamic H.245 configured, the Oracle® Enterprise Session Border Controller starts the H.245 procedure in the incoming call. Otherwise, the system sends its H.245 address in the incoming call based on the H.245 stage support that you have configured.

The process is different when the Oracle® Enterprise Session Border Controller receives a TCS message on the outgoing call before the incoming call reaches its H.245 stage. In this instance, the Oracle® Enterprise Session Border Controller sends a Facility message with the reason startH245 with its H.245 address in order to start the H.245 procedure. The reason is needed in order for the Oracle® Enterprise Session Border Controller to exchange TCS messages with the incoming side of the call.

## H.245 Stage Configuration

To configure H.245 stage support:

1. In Superuser mode, type **configure terminal** and press Enter.

```
ORACLE# configure terminal
```



2. Type **session-router** and press Enter to access the media-related configurations.

```
ORACLE(configure)# session-router
```

3. Type **h323** and press Enter.

```
ORACLE(session-router)# h323
```

4. Type **h323-stacks** and press Enter.

```
ORACLE(h323)# h323-stacks  
ORACLE(h323-stacks)#
```

5. **h245-stage**—Set this field to the stage at which the Oracle® Enterprise Session Border Controller transfers the H.245 address to the remote side of the call, or acts on the H.245 address sent by the remote side. The default value is **Connect**. Valid values are:

- Setup | Alerting | Connect | Proceeding | Early | Facility | noh245 | Dynamic

## H.323 HNT

This section explains how H.323 hosted NAT traversal (HNT) works and how to enable this capability on your Oracle® Enterprise Session Border Controller.

The feature enables endpoints behind NATs to originate and terminate calls by resolving the address differences between the NAT and the actual endpoint.

H.323 communication through a NAT becomes an issue when engaging in RAS messaging. While the H.323 standard specifies specific information elements in the RAS messages that indicate the address to which the replies should be sent, these addresses will be behind the NAT and therefore unroutable. The Oracle® Enterprise Session Border Controller solves this problem by sending RAS replies to the layer 3 address from which the associated RAS request was received.

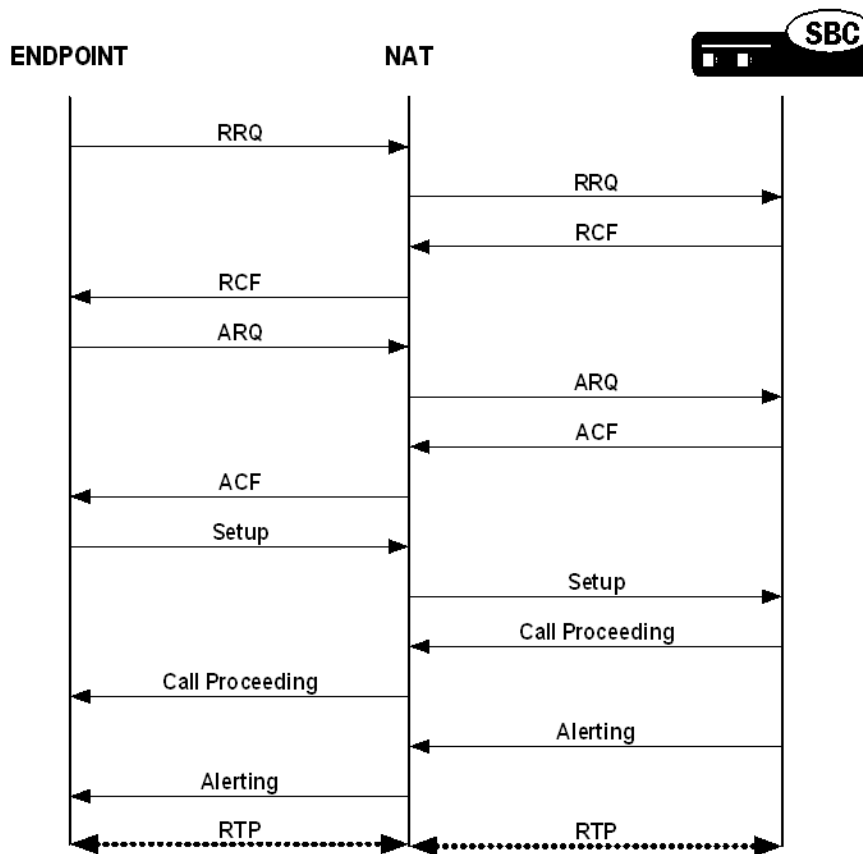
A second issue exists for media channels as the address specified in the H.323 OLC message will be behind the NAT and likewise unroutable. This is resolved by relying on the fact that the forward and reverse channels will utilize the same address and port on the endpoint. By sending media packets to the same address from which the packet are received, media and flow through the NAT.

If you do not use H.323 HNT, the following behavior will occur:

- When an H.323 endpoint is behind a NAT and it registers with a gatekeeper through the Oracle® Enterprise Session Border Controller, the Oracle® Enterprise Session Border Controller tries to send a response back to the endpoint's RAS address rather than to the NAT from which the request was received.
- The same is true for LRQ and IRQ messages because responses without H.323 HNT for outbound sessions, responses were being sent back to the replyAddress or the rasAddress.
- In addition, the Oracle® Enterprise Session Border Controller always induces one-way media because it tries to send the RTP to the media IP address and port it receives in the OLC messages rather than the ephemeral port on the intermediary NAT.

With this ability enabled, however, the Oracle® Enterprise Session Border Controller sends RAS responses back to the address from which the request was received (the NAT). It does not send responses to the endpoint's rasAddress or replyAddress mentioned in the signaling message. The same is true for RTP. With H.323 HNT for outbound sessions enabled, the Oracle® Enterprise Session Border Controller sends RTP to the IP address and port from which it receives the RTP packets (the NAT).

The call flow below illustrates how this feature works:



## Caveats

Keep in mind the following caveats when you are enabling H.323 HNT for outbound sessions on your Oracle® Enterprise Session Border Controller:

- This capability does not apply to calls that require IWF translation between SIP and H.323.

## H.323 HNT Configuration

You can enable this capability for specific H.323 interfaces.

To enable H.323 HNT:

1. In Superuser mode, type **configure terminal** and press Enter.

```
ORACLE# configure terminal
```

2. Type **session-router** and press Enter to access the session-related configurations.

```
ORACLE(configure)# session-router
```

3. Type **h323** and press Enter.

```
ORACLE(session-router)# h323
```

4. Type **h323-stack** and press Enter. The system prompt changes to let you know that you can begin configuring individual parameters for the H.323 interface.

```
ORACLE(h323)# h323-stack
```

5. If you are adding this service to a new H.323 interface that you are creating, type **options hnt** (to enable H.323 HNT), and then press Enter.

```
ORACLE(h323-stack)# options hnt
```

6. If you are adding this service to an H.323 interface that already exists, type **select** to select the interface to which you want to add the service. Then use the options command and prepend the option with a plus (+) sign.
  - If you know the name of the interface, you can type the name of the interface at the name: prompt and press Enter.
  - If you do not know the name of the interface, press Enter at the name: prompt. A list of interfaces will appear. Type the number corresponding to the interface you want to modify, and press Enter.
  - **If are adding service to an existing interface and you type options hnt without a plus (+) sign, you will remove any previously configured options. In order to append the new option to the options list, you must prepend the new option with a plus sign as shown in the example above.**

## H.323 Party Number-E.164 Support

Some H.323 gateways cannot handle partyNumber alias addresses in H.225 messages. The system lets you convert this address type to dialedDigits (E.164). This conversion applies to sourceAddress, destinationAddress, and destExtraCallInfo aliases in Setup messages.

To enable this feature, use the convertPNTtoE164 value in the **options** field of the H.323 stack configuration.

## Signaling Only Operation

When you set the Oracle® Enterprise Session Border Controller to operate in signaling-only mode, it acts like a signaling server. It proxies the call signaling messages between two endpoints. Note, however, that the NOracle® Enterprise Session Border Controller does not function as a RAS proxy; it does not proxy RAS messages.

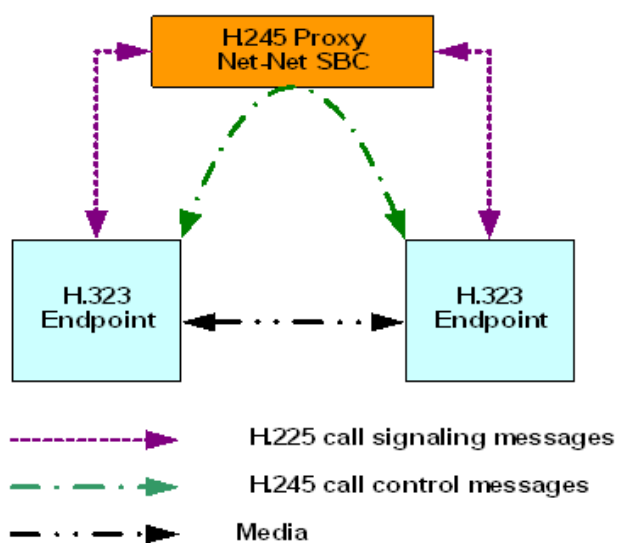
You have two options for the proxy mode:

- H.245 proxy mode—The Oracle® Enterprise Session Border Controller handles call signaling (H.225) and call control (H.245) messages.
- H.225 proxy mode—The Oracle® Enterprise Session Border Controller handles call signaling

To use this feature, you need to set the proxy mode parameter in the H.323 interface configuration to H.225 or H.245.

## H.245

When in H.245 proxy mode, the Oracle® Enterprise Session Border Controller proxies or passes through the call signaling (H.225) messages and the call control (H.245) messages. It allows media to flow between the two H.323 endpoints, as shown in the following diagram.



In some deployments, the media might be treated by a NAT device. When the Oracle® Enterprise Session Border Controller is in H.245 proxy mode, any tunneled H.245 message on the ingress side is tunneled in the egress side. However, if the tunneling is refused on the egress side, a separate H.245 session is established.

H.245 proxy mode support is defined in the following table.

Ingress	Egress
Tunneled	Tunneled
Tunneled	Separate H.245 session
Separate H.245 session	Tunneled
Separate H.245 session	Separate H.245 session

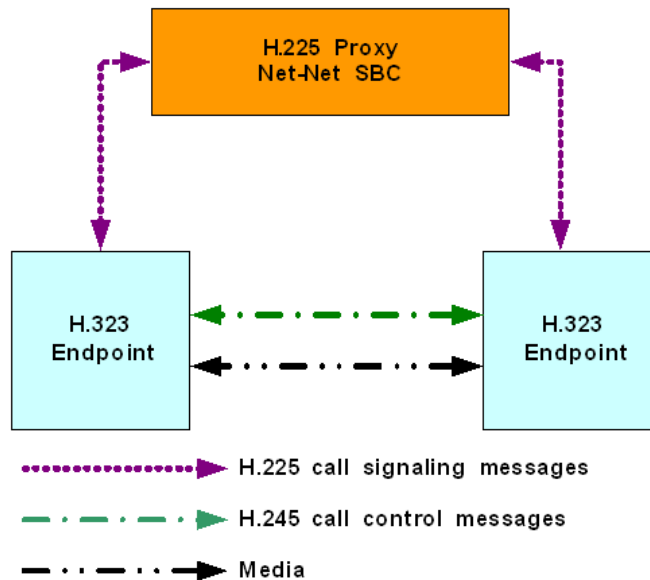
## H.225

When in H.225 proxy mode, the Oracle® Enterprise Session Border Controller only proxies call signaling (H.225 messages). The call control (H.245 messages) and the media associated with the session do not go through the Oracle® Enterprise Session Border Controller. Instead, they flow directly between the two H.323 endpoints.

**Note:**

H.225 proxy mode is only used in specific applications and should not be enabled without consultation from your Acme Packet Systems Engineer.

The following diagram shows the flow.



In certain deployments, the call control message and media are exchanged between the two H.323 endpoints themselves. When the Oracle® Enterprise Session Border Controller is in H.225 proxy mode, any tunneled H.245 message on the ingress side is tunneled in the egress side; this is irrespective of the value configured in the value you set for the **h.245-tunneling** parameter in the H.323 stack configuration.

## Maintenance Proxy Function

The Oracle® Enterprise Session Border Controller supports a maintenance proxy function for H.323 and enhances the way the Oracle® Enterprise Session Border Controller creates unique RAS ports. You can register endpoints through the Oracle® Enterprise Session Border Controller with unique RAS port. You can also set the H.323 interface on the enterprise side to represent enterprise-side endpoints and thereby register on the carrier side.

The maintenance proxy creates a many-to-one association between the enterprise and the carrier side. Interfaces on the enterprise side can be associated with the carrier side interface, which also must be configured to for the maintenance proxy feature.

You configure the maintenance proxy feature by simply setting an option in the H.323 interface configuration.

## Maintenance Proxy Configuration

To configure the maintenance proxy function, you need to set two values in the options parameters for the H.323 interface (h323-stack):

1. In Superuser mode, type **configure terminal** and press Enter.

```
ORACLE# configure terminal
```

2. Type **session-router** and press Enter to access the media-related configurations.

```
ORACLE(configure)# session-router
```

3. Type **h323** and press Enter.

```
ORACLE(session-router)# h323
```

4. Type **h323-stacks** and press Enter.

```
ORACLE(h323)# h323-stacks  
ORACLE(h323-stacks)#
```

5. **options**—Set the options parameter to maintenanceProxy.

## Applying TCP Keepalive to the H.323 Interface

To apply these settings individually per H.323 interface:

1. In Superuser mode, type **configure terminal** and press Enter.

```
ORACLE# configure terminal
```

2. Type **system** and press Enter to access the system-related configurations.

```
ORACLE(configure)# session-router
```

3. Type **h323** and press Enter.

```
ORACLE(session-router)# h323
```

4. Type **h323-stack** and press Enter.

```
ORACLE(h323)# h323-stacks  
ORACLE(h323-stack)# tcp-keepalive
```

5. **tcp-keepalive**—Disable this parameter if you do not want the TCP keepalive network parameters to be applied. The default value is **disabled**. Valid values are:
  - enabled | disabled
6. Click OK at the bottom of the window to complete configuring TCP keepalives and the maintenance proxy.

## Automatic Gatekeeper Discovery

Available only when the H.323 interface is functioning as a gateway, this feature allows for automatic gatekeeper discovery on start-up.

This feature is based on the Oracle® Enterprise Session Border Controller sending a GRQ to the multicast address of the RAS Multicast Group, which is the device group listening on this address. If you do not configure a multicast address, Oracle® Enterprise Session Border Controller uses the well-known address and port 224.0.1.41:1718 in the address-port combination making up this parameter.

Multicast only functions when the Oracle® Enterprise Session Border Controller is discovering an external gatekeeper. The Oracle® Enterprise Session Border Controller does not respond to multicast gatekeeper queries.

When it receives a GCF message from a gatekeeper, the Oracle® Enterprise Session Border Controller registers with the gatekeeper indicated in the GCF. When it receives an GRJ message that contains optional information about alternative gatekeepers, the Oracle® Enterprise Session Border Controller attempts to register with an alternate.

If you do not use automatic gatekeeper discovery, the Oracle® Enterprise Session Border Controller registers with the gatekeeper you configure in the gatekeeper parameter. In this case, the gatekeeper identifier you configure is included in to the RRQ. No registration takes place if you do not establish automatic gatekeeper discovery or if you do not configure the gatekeeper and its identifier.

## Automatic Gatekeeper Configuration

To configure automatic gatekeeper discovery:

1. In Superuser mode, type **configure terminal** and press Enter.

```
ORACLE# configure terminal
```

2. Type **session-router** and press Enter to access the media-related configurations.

```
ORACLE(configure)# session-router
```

3. Type **h323** and press Enter.

```
ORACLE(session-router)# h323
```

4. Type **h323-stacks** and press Enter.

```
ORACLE(h323)# h323-stacks  
ORACLE(h323-stacks)#
```

5. **auto-gk-discovery**—Enable this parameter to use automatic gatekeeper discovery. The default value is **disabled**. Valid values are:
  - enabled | disabled
6. **multicast**—Set this parameter to the address and port where the RAS Multicast Group listens. Your entries in this field will be comprised of an IPv4 address and port values separated by a colon. The default value is **0.0.0.0:0**.

## H.323 Alternate Routing

You can configure your Oracle® Enterprise Session Border Controller to try more possible routes within given time constraints and number of retries.

### Without Alternate Routing Enabled

If you do not enable H.323 alternate routing, the Oracle® Enterprise Session Border Controller tries one possible next hop gateway when routing H.323 calls even if the applicable local policy has multiple next hops configured. If that next hop gateway fails (either because it is busy or out of service), the Oracle® Enterprise Session Border Controller relays the failure back to the caller, who hears a busy tone.

In addition, the call will only be routed to the other available next hops if the first one is:

- A session agent that has gone out of service because its constraints have been exceeded
- A session agent that has gone out of service because it failed to respond to a Oracle® Enterprise Session Border Controller Setup request
- A session agent group

### With Alternate Routing Enabled

When you enable H.323 Alternate Routing on your Oracle® Enterprise Session Border Controller, you enable the use of the other next hops in addition to the first one. The retry, when the other available next hops are used, is transparent to the caller. However, the number of retries is limited by the value you set for the ACLI **connect-tmo** parameter, and this feature works only if there is more than one matching local policy next hop. If there is not more than one match, even if that match is a session agent group, then the call is only attempted once and the caller must retry it.

If the Oracle® Enterprise Session Border Controller receives a Release Complete message before it receives an Alerting message, then it will try the next hop if there are multiple matches. When there is no more than one match, or if the timer or number of retries is exceeded, the Oracle® Enterprise Session Border Controller proxies the most recently received Release Complete message back to the caller.

The following table shows the cause codes and release complete reasons, and either of the two actions the Oracle® Enterprise Session Border Controller takes:

- **Recur**—Means that the Oracle® Enterprise Session Border Controller performs (or continues to perform) alternate routing
- **Proxy**—Means that alternate routing stops, and the Oracle® Enterprise Session Border Controller sends a release complete message back to the caller

H.323 Release Complete Reason	Q.850 Cause Code	Action
No Bandwidth	34—No circuit available	Recur
Gatekeeper Resources	47—Resource unavailable	Recur
Unreachable Destination	3—No route to destination	Recur
Destination Rejection	16—Normal call clearing	Proxy
Invalid Revision	88—Incompatible destination	Recur



H.323 Release Complete Reason	Q.850 Cause Code	Action
No Permission	111—Interworking, unspecified	Recur
Unreachable Gatekeeper	38—Network out of order	Recur
Gateway Resources	42—Switching equipment congestion	Recur
Bad Format Address	28—Invalid number format	Recur
Adaptive Busy	41—Temporary Failure	Recur
In Conference	17—User busy	Proxy
Undefined Reason	31—Normal, unspecified	Recur
Facility Call Deflection	16—Normal, call clearing	Proxy
Security Denied	31—Normal, unspecified	Recur
Called Party Not Registered	20—Subscriber absent	Recur
Caller Not Registered	31—Normal, unspecified	Recur
New Connection Needed	47—Resource Unavailable	Recur
Non Standard Reason	127—Interworking, unspecified	Recur
Replace With Conference Invite	31—Normal, unspecified	Recur
Generic Data Reason	31—Normal, unspecified	Recur
Needed Feature Not Supported	31—Normal, unspecified	Recur
Tunnelled Signaling Rejected	127—Interworking, unspecified	Recur

## H.323 Alternate Routing Configuration

This section describes how to enable H.323 alternate routing. There is a new parameter, and the behavior of the pre-existing **response-tmo** and **connect-tmo** parameters change when you enable this feature on your system.

To enable this feature, you need to set the new **alternate-routing** parameter in the global H.323 configuration to recur. The other option for this parameter is proxy, which means that the Oracle® Enterprise Session Border Controller performs in the way it did prior to Release 4.1, i.e. try only the first matching local policy next hop that it finds.

You configure H.323 alternate for the global H.323 configuration.

To enable H.323 alternate routing:

1. In Superuser mode, type **configure terminal** and press Enter.

```
ORACLE# configure terminal
```

2. Type **session-router** and press Enter.

```
ORACLE(configure)# session-router
```

3. Type **h323** and press Enter.

```
ORACLE(session-router)# h323
```

4. **alternate-routing**—Enable or disable H.323 alternate routing. If you want to keep the pre-4.1 behavior where the Oracle® Enterprise Session Border Controller only tries one matching local policy next hop, leave this parameter set to its default value **proxy**. Valid values are:

- recur | proxy
5. **response-tmo**—Enter the time in seconds for the response time-out (or T303 timer). This is the amount of time allowed to elapse during which the Oracle® Enterprise Session Border Controller should receive a response to its Setup message. If the first response to the Oracle® Enterprise Session Border Controller's Setup is a callProceeding, then the Oracle® Enterprise Session Border Controller should receive an Alerting or Connect message before this timer (now T303\*2) elapses.

The default for this parameter is **4**. The valid range is:

- Minimum—0
  - Maximum—999999999
6. **connect-tmo**—Enter the time in seconds for the connect time-out (or T301 timer). This is the amount of time allowed to elapse during which the Oracle® Enterprise Session Border Controller should receive a Connect message.

For alternate routing, this parameter is also used to limit the number of next hops that are tried and the length of time they are tried in case the first next hop fails. The call needs to be established before this timer expires; the call will fail after maximum of 5 retries.

The default for this parameter is **32**.

- Minimum—0
- Maximum—999999999

## H.323 LRQ Alternate Routing

There are networks where the Oracle® Enterprise Session Border Controller is positioned so that it needs to send an H.225 LRQ request to one signaling entity, and then fall back to another signaling entity when there are no resources available on the first. This might be the case when network contain elements that have limited amounts of channels and/or ports.

To handle situations like this one, the Oracle® Enterprise Session Border Controller can be configured for H.323 LRQ alternate routing.

Without this feature enabled, the Oracle® Enterprise Session Border Controller performs H.323 alternate routing for an H.323 call by finding the alternate route for a local policy when the call setup using H.225/Q.931 fails. Some network configurations, however, require that an LRQ message be sent to a gatekeeper prior to call setup in order to request the destination call signaling address—meaning that the Oracle® Enterprise Session Border Controller will release the call if it does not receive an LCF for that LRQ.

With H.323 LRQ alternate routing enabled, the Oracle® Enterprise Session Border Controller can route the call even when it does not receive the LCF.

When the Oracle® Enterprise Session Border Controller routes an H.323 call using a local policy and the applicable route specifies gatekeeper/session agent as the next hop, the Oracle® Enterprise Session Border Controller must send that gatekeeper an LRQ to request the destination for the call signaling address. After it sends the LRQ, the Oracle® Enterprise Session Border Controller might receive either an LCF or an LRJ, or it might receive no response at all. Upon failure—either the receipt of an LRJ or no response within a timeout period—the Oracle® Enterprise Session Border

Controller tries alternate routes (additional routing policies) until the call is either set up or the routing list ends. For each alternate route, if the next hop is a gatekeeper/session agent, the Oracle® Enterprise Session Border Controller sends an LRQ to the gatekeeper in order to request the destination call signaling address. Otherwise, the Oracle® Enterprise Session Border Controller simply sets up the call.

For a designated period of time, the Oracle® Enterprise Session Border Controller waits for the a response to the LRQ from the gatekeeper. This timeout period is configured by setting two options in the global H.323 configuration: **ras-tmo** (number of seconds the Oracle® Enterprise Session Border Controller waits before retransmitting a RAS message; default is 4) and **maxRasRetries** (maximum number of times the Oracle® Enterprise Session Border Controller retransmits the RAS; default is 1). The Oracle® Enterprise Session Border Controller calculates the LRQ timeout period by multiplying the **ras-tmo** by the **maxRasRetries** and adding one (**ras-tmo** x **maxRasRetries** +1).

If an out of service session agent is part of a route, the Oracle® Enterprise Session Border Controller skips it when using alternate routing and uses other routes for the policy.

A session agent might go out of service when it exceeds the maximum number of consecutive transaction timeouts to the maximum number of allowable transaction timeouts. Applicable session agent constrain parameter of note are:

- **trans-timeouts**—Maximum number of allowable transaction timeouts (default is 5)
- **ttr-no-response**—Dictates when the SA (Session Agent) should be put back in service after the SA is taken OOS (Out Of Service) because it did not respond to the Oracle® Enterprise Session Border Controller
- **in-service-period**—Amount of time that elapses before a session agent is put back in service after the **ttr-no-response** period has passed

By default, the Oracle® Enterprise Session Border Controller continues to send LRQ messages to a session agent even if the session agent has already sent an LRJ. However, you might want to place a session agent out of service when it has sent a certain number of LRJs; doing so allows alternate routing to take place faster, but this is an optional feature.

To configure an LRJ threshold, you add the **max-lrj** value to an H.323 session agent's **options** parameter; instructions for how to set it and the required syntax appear below. If you do not set this option, then the Oracle® Enterprise Session Border Controller will not put session agents out of service for matters related to LRJs.

If you do set this option (to a non-zero value), then the Oracle® Enterprise Session Border Controller keeps a count of the LRJs received from a session agent. When it receives an LCF from a session agent, the Oracle® Enterprise Session Border Controller resets the counter to zero. This count is used internally only and is not accessible through statistics displays.

If a session agent exceeds the maximum number of LRJs and goes out of service, it remains in that state until the **ttr-no-response** period has passed and it has transitioned through the **in-service-period** time. If the **ttr-no-response** period is zero, then the session agent is never put out of service.

## Caveats

The Oracle® Enterprise Session Border Controller does not support H.323 LRQ alternate routing for these scenarios:

- Calls that require translation between SIP and H.323 (IWF calls)
- For pure H.323 calls where the ingress H.323 interface (stack) is associated with another H.323 interface (stack) that has a valid gatekeeper defined; if there is no valid gatekeeper for the egress interface (stack), this feature may apply.

## H.323 LRQ RAS Retransmission Configuration

There is no configuration for H.323 LRQ alternate routing; it is enabled by default. You do, however, need to set the `ras-tmo` and `maxRasRetries` options to set the timeout period.

If you want to set a maximum number of consecutive LRJs to be received from a session agent, you need to add the `max-lrj` value to an H.323 session agent's `options` parameter.

To configure the number of seconds before the Oracle® Enterprise Session Border Controller retransmits a RAS message:

1. In Superuser mode, type `configure terminal` and press Enter.

```
ORACLE# configure terminal
```

2. Type `session-router` and press Enter.

```
ORACLE(configure)# session-router
```

3. Type `h323` and press Enter.

```
ORACLE(session-router)# h323  
ACMEPACKET(h323)#
```

4. `options`—Set the options parameter by typing `options`, a Space, the option name `ras-tmo=x` (where X is number of the seconds that the Oracle® Enterprise Session Border Controller waits before retransmitting a RAS message; default is 4) with a plus sign in front of it, and then press Enter.

Set the `maxRasRetries` option in the same way; here, X is the maximum number of times the Oracle® Enterprise Session Border Controller retransmits the RAS; default is 1).

```
ORACLE(h323-stack)# options +ras-tmo=6  
ORACLE(h323-stack)# options +maxRasRetries=2
```

If you type `options` and then the option value for either of these entries without the plus sign, you will overwrite any previously configured options. In order to append the new option to the h323 configuration's options list, you must prepend the new option with a plus sign as shown in the previous example.

## H.323 LRJ Limit Configuration

To limit the number of LRJs received from an H.323 session agent before putting it out of service:

1. In Superuser mode, type **configure terminal** and press Enter.

```
ORACLE# configure terminal
```

2. Type **session-router** and press Enter.

```
ORACLE(configure)# session-router
```

3. Type **session-agent** and press Enter. The system prompt changes to let you know that you can begin configuring individual parameters.

```
ORACLE(session-router)# session-agent
```

4. Use the ACLI **select** command so that you can work with the session agent configuration to which you want to add this option.

```
ORACLE(session-agent)# select
```

5. **options**—Set the options parameter by typing **options**, a Space, the option name **max-lrj=X** (where X is the maximum number of allowed LRJs) with a plus sign in front of it, and then press Enter.

```
ORACLE(session-agent)# options +max-lrj=3
```

**If you type options max-lrj=X (without the plus sign), you will overwrite any previously configured options. In order to append the new option to the session-agent's options list, you must prepend the new option with a plus sign as shown in the previous example.**

## H.323 CAC Release Mechanism

When an OLC message is sent to the Oracle® Enterprise Session Border Controller and there is insufficient bandwidth available, the Oracle® Enterprise Session Border Controller will reject the incoming OLC. Normally, endpoints decide whether they want to send new OLCs or if they want to release the call. Some endpoints in this situation do neither. When communicating with the last of endpoints, it is desirable for the Oracle® Enterprise Session Border Controller to take action.

The system supports a option in the H.323 interface called `olcRejectTimer`. When this option is enabled and an OLC is rejected, the stack will:

- If there is another media channel open, the Oracle® Enterprise Session Border Controller will behave as if the release mechanism had not been enabled
- If there are no media channels open, the Oracle® Enterprise Session Border Controller starts a timer for 1 second.
  - If the call is released by the endpoint before the timer expires or another OLC is received from the endpoint before the timer expires, the Oracle® Enterprise Session Border Controller stops the timer and follows expected call handling
  - If the timer expires before either of the above responses from the endpoint occur, the Oracle® Enterprise Session Border Controller releases the call.

## H.323 CAC Release Configuration

To enable the H.323 CAC release mechanism:

1. In Superuser mode, type **configure terminal** and press Enter.

```
ORACLE# configure terminal
```

2. Type **session-router** and press Enter to access the media-related configurations.

```
ORACLE(configure)# session-router
```

3. Type **h323** and press Enter.

```
ORACLE(session-router)# h323
```

4. Type **h323-stacks** and press Enter.

```
ORACLE(h323)# h323-stacks  
ORACLE(h323-stacks)#
```

5. Use the ACLI **select** command so can add this feature to an existing H.323 interface.

```
ORACLE(h323-stacks)# select
```

6. Set the **options** parameter by typing **options**, a Space, the option name **olcRejectTimer**, and then press Enter.

```
ORACLE(h323-stacks)# options olcRejectTimer
```

7. If you are adding this service to an H.323 interface that already exists, type **select** to select the interface to which you want to add the service. Then use the **options** command and prepend the option with a plus (+) sign.

- If you know the name of the interface, you can type the name of the interface at the name: prompt and press Enter.
- If you do not know the name of the interface, press Enter at the name: prompt. A list of interfaces will appear. Type the number corresponding to the interface you want to modify, and press Enter.
- **If are adding service to an existing interface and type in the option without a plus (+) sign, you will remove any previously configured options. In order to append the new option to the options list, you must prepend the new option with a plus sign: options +olcRejectTimer.**

## H.323 Per-Realm CAC

Building on the Oracle® Enterprise Session Border Controller's pre-existing call admission control methods, CAC can be performed based on how many minutes are being used by SIP or H.323 calls per-realm for a calendar month.

In the realm configuration, you can now set a value representing the maximum number of minutes to use for SIP and H.323 session using that realm. Although the value you configure is in minutes, the Oracle® Enterprise Session Border Controller performs

CAC based on this value to the second. When you use this feature for configurations with nested realms, the parent realm will have the total minutes for all its child realms (i.e., at least the sum of minutes configured for the child realms).

The Oracle® Enterprise Session Border Controller calculates the number of minutes used when a call completes, and counts both call legs for a call that uses the same realm for ingress and egress. The total time attributed to a call is the amount of time between connection (H.323 Connect) and disconnect (H.323 Release Complete), regardless of whether media is released or not; there is no pause for calls being placed on hold.

If the number of minutes is exhausted, the Oracle® Enterprise Session Border Controller rejects calls with a SIP 503 Service Unavailable message (including additional information “monthly minutes exceeded”). In the event that the limit is reached mid-call, the Oracle® Enterprise Session Border Controller continues with the call that pushed the realm over its threshold but does not accept new calls. When the limit is exceeded, the Oracle® Enterprise Session Border Controller issues an alarm and sends out a trap including the name of the realm; a trap is also sent when the alarm condition clears.

 **Note:**

The Oracle® Enterprise Session Border Controller does not reject GETS/ NSEP calls based on monthly minutes CAC.

You can change the value for minutes-based CAC in a realm configuration at any time, though revising the value downward might cause limits to be reached. This value resets to zero (0) at the beginning of every month, and is checkpointed across both system in an HA node. Because this data changes so rapidly, however, the value will not persist across and HA node if both systems undergo simultaneous failure or reboot.

You can use the ACLI **show monthly minutes <realm-id>** command (where **<realm-id>** is the realm identifier of the specific realm for which you want data) to see how many minutes are configured for a realm, how many of those are still available, and how many calls have been rejected due to exceeding the limit.

## Caveats

 **Note:**

this feature is not supported for HA nodes running H.323.

## H.323 Per-Realm CAC Configuration

This section shows you how to configure minutes-based CAC for realms and how to display minutes-based CAC data for a specific realm.

Note that setting the new monthly-minutes parameters to zero (0), or leaving it set to its default of 0, disables this feature.

To configure minutes-based CAC:

1. In Superuser mode, type **configure terminal** and press Enter.

```
ORACLE# configure terminal  
ORACLE(configure)#
```

2. Type **media-manager** and press Enter.

```
Oracle® Enterprise Session Border Controller(configure)# media-  
manager  
Oracle® Enterprise Session Border Controller(media-manager)#
```

3. Type **realm-config** and press Enter. The system prompt changes to let you know that you can begin configuring individual parameters.

```
ORACLE(media-manager)# realm-config  
ORACLE(realm-config)#
```

4. Select the realm where you want to add SIP per user CAC.

```
ORACLE(realm-config)# select
```

5. **monthly-minutes**—Enter the number of minutes allowed during a calendar month in this realm for SIP and H.323 calls. By default, this parameter is set to zero (0), which disabled monthly minutes-based CAC. You can enter a value as high as 71582788.

6. Save and activate your configuration.

Use the ACLI `show monthly-minutes` command to see the following information:

- How many minutes are configured for a realm
- How many of those are still available
- How many calls have been rejected due to exceeding the limit

To view information about SIP per user CAC using the IP address mode: In either User or Superuser mode, type **show monthly-minutes <realm-id>**, a Space, and the IP address for which you want to view data. Then press Enter. The **<realm-id>** is the realm identifier for the realm identifier of the specific realm for which you want data.

```
ORACLE# show monthly-minutes private_realm
```

## H.323 Bearer-Independent Setup

In Release 4.1, the Oracle® Enterprise Session Border Controller supports a new H.323 option that enables H.323 Bearer-Independent Setup (BIS). When enabled, this feature allows exception to slow-start to fast-start conversion on the Oracle® Enterprise Session Border Controller.

### H.323 BIS Disabled

Unless you enable this feature, the Oracle® Enterprise Session Border Controller performs slow-start to fast-start conversion when a call entering the system as slow-start was routed to an outgoing H.323 interface (stack) with **call-fast-start** set to enabled and there is a list of valid media-profiles in the configuration.



## H.323 BIS Enabled

There are certain cases in access deployments where the slow-start to fast-start conversion should not be applied. This is the case when the Setup message contains the Bearer Capability information element (IE), which signals BIS.

When you enable this feature and the Oracle® Enterprise Session Border Controller receives an incoming Setup message that does not contain a fastStart field, the Oracle® Enterprise Session Border Controller checks for the BIS in the incoming Setup before it starts to perform the slow-start to fast-start conversion. If it finds the BIS, then it does not perform the conversion.

This feature can be enabled on a global or a per-interface basis, meaning that you can apply it to your system's entire H.323 configuration or you can enable it only for the interfaces where you want it applied.

## H.323 BIS Global Configuration

This section explains how to add H.323 BIS support to your global H.323 configuration and to specific H.323 interfaces (stacks).

If you set this option on an H.323 interface (stack), you must set it on the interface (stack) that receives the Setup message with BIS in the Bearer Capability IE.

To enable the H.323 BIS feature globally:

1. In Superuser mode, type **configure terminal** and press Enter.

```
ORACLE# configure terminal
```

2. Type **session-router** and press Enter to access the signaling-related configurations.

```
ORACLE(configure)# session-router
```

3. Type **h323** and press Enter.

```
ORACLE(session-router)# h323
```

4. Type **options +bearerIndSetup** and press Enter.

```
ORACLE(h323-stacks)# options +bearerIndSetup
```

If you type **options bearerIndSetup** without the plus (+) sign, you will remove any previously configured options. In order to append the new option to the options list, you must prepend the new option with a plus sign as shown in the example above.

## H.323 BIS Specific Configuration

To enable the H.323 BIS feature for a specific H.323 interface:

1. In Superuser mode, type **configure terminal** and press Enter.

```
ORACLE# configure terminal
```

2. Type **session-router** and press Enter to access the signaling-related configurations.

```
ORACLE(configure)# session-router
```

3. Type **h323** and press Enter.

```
ORACLE(session-router)# h323
```

4. Type **h323-stacks** and press Enter.

```
ORACLE(h323)# h323-stacks  
ORACLE(h323-stacks)#
```

5. Select the H.323 stack to which you want to add H.323 BIS support.

```
ORACLE(h323-stacks)# select  
<name>:
```

For a list of configured H.323 interfaces (stacks), press Enter at the <name>: prompt. Then enter the number corresponding to the interface where you want to apply this feature.

6. Type **options +bearerIndSetup** and press Enter.

```
ORACLE(h323-stacks)# options +bearerIndSetup
```

**If you type `options bearerIndSetup` without the plus (+) sign, you will remove any previously configured options. In order to append the new option to the options list, you must prepend the new option with a plus sign as shown in the example above.**

## TOS Marking for H.323 Signaling

You can configure your Oracle® Enterprise Session Border Controller to perform TOS/DiffServ marking for H.323 signaling packets. This feature enables you to mark H.323 signaling packets so that they receive specific treatment from upstream devices. This feature assists in routing because you can configure the TOS byte inserted in the H.323 packet to mark the traffic for certain destinations. For example, you can prevent unauthorized video transmission through an audio-only session.

The Oracle® Enterprise Session Border Controller also performs TOS/DiffServ marking for media.

## H.323 Codec Fallback

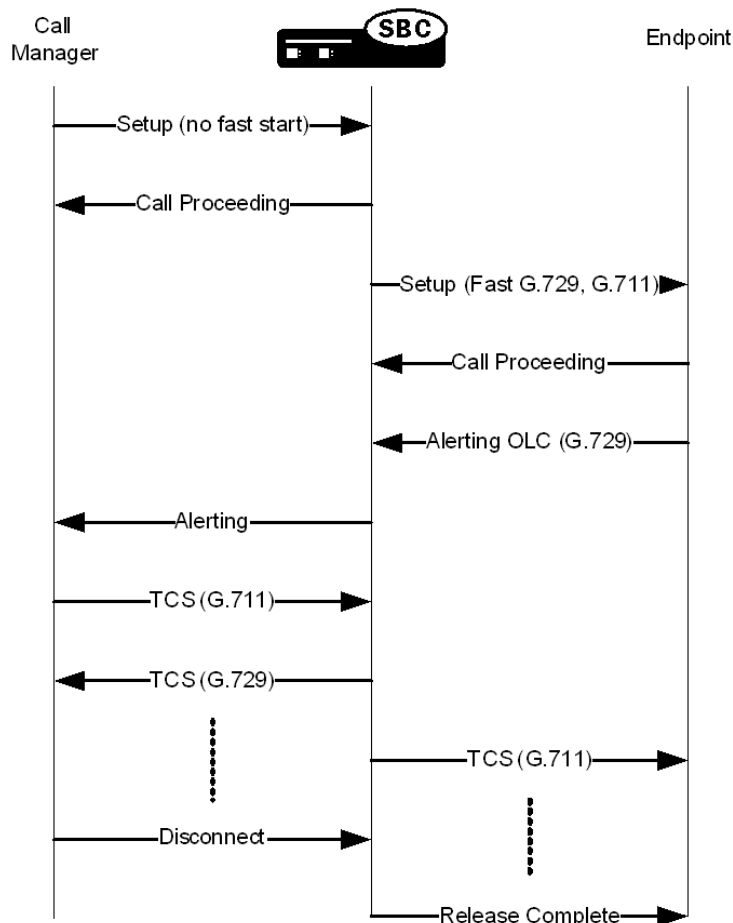
In the global H.323 configuration, you can enable a parameter that allows the Oracle® Enterprise Session Border Controller to renegotiate—or fallback—to the preferred codec used in an incoming terminal capability set (TCS) from the slow-start side of

a slow-start to fast-start H.323 call. When enabled, the Oracle® Enterprise Session Border Controller performs this renegotiation when it detects a mismatch between the codec used in the open logical channel (OLC) opened on the fast-start side of the call, and the codec specified by the slow-start side.

## Codec Fallback Disabled

With codec fallback disabled, the Oracle® Enterprise Session Border Controller opens a channel using the codec specified by the northbound side. Since the call manager had specified another preferred codec, the result is a codec mismatch leading to a dropped call.

The following diagram shows how codec mismatches end in dropped calls.

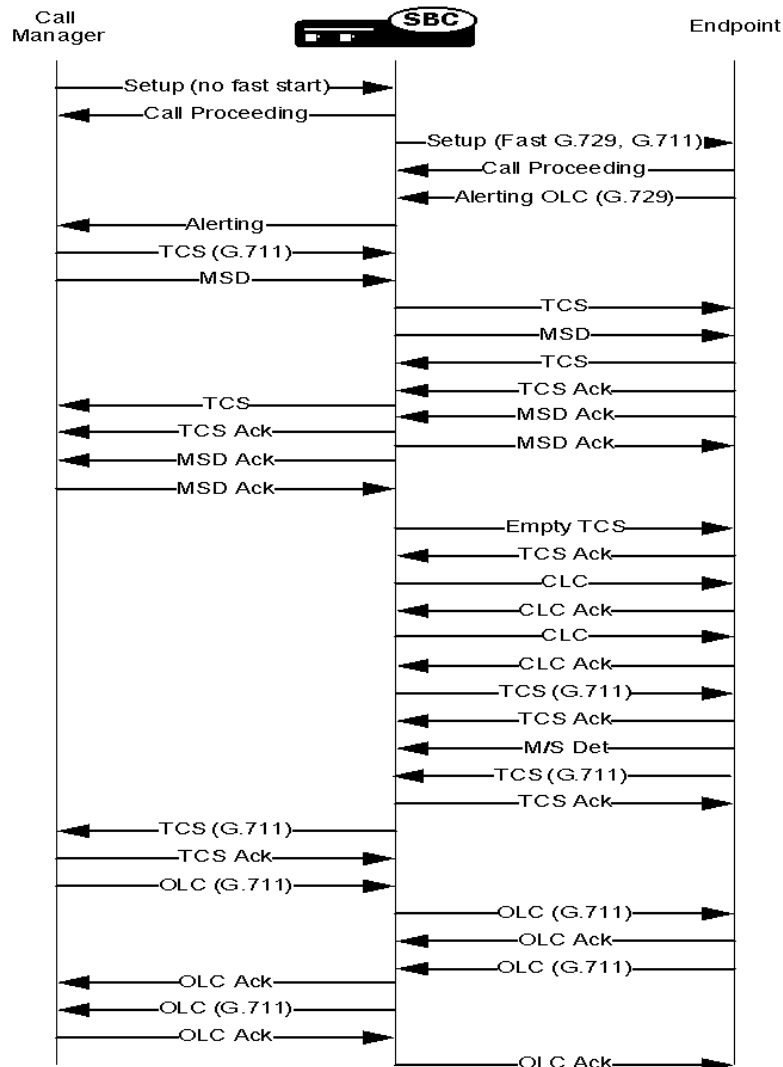


## Codec Fallback Enabled

With H.323 codec fall back enabled, the Oracle® Enterprise Session Border Controller attempts to use the preferred codec that the slow-start side of the call specifies. The Oracle® Enterprise Session Border Controller determines matching based on the incoming TCS from the slow-start side and the OLC on the egress side. If the codecs do not match, the Oracle® Enterprise Session Border Controller sends an empty TCS on the egress side and closes the logical channels on the outgoing side of the call.

To trigger a new capabilities exchange, the Oracle® Enterprise Session Border Controller forwards the TCS from the ingress side of the call to the egress endpoint. Then the TCS from the egress endpoint is propagated to the ingress endpoint, and the logical channels are opened.

The following diagram shows a call scenario using the H.323 codec fallback feature.



## H.323 Codec Fallback Configuration

Note that you configure this feature for your global H.323 configuration, so it has an impact on all H.323 traffic on your system.

To enable H.323 codec fallback:

1. In Superuser mode, type **configure terminal** and press Enter.

```
ORACLE# configure terminal
```

2. Type **session-router** and press Enter to access the signaling-related configurations.

```
ORACLE(configure)# session-router
```

3. Type **h323** and press Enter. The system prompt will change to let you know that you can configure individual

```
ORACLE(session-router)# h323
```

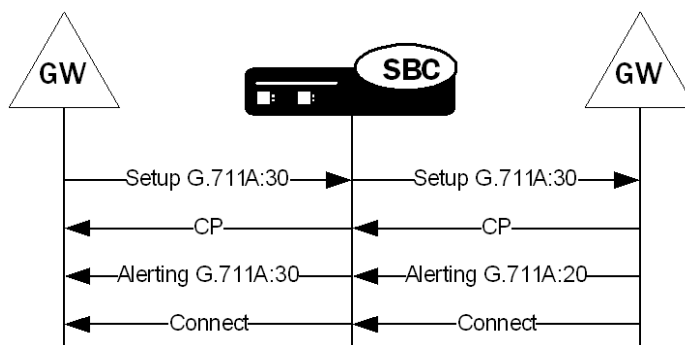
4. **codec-fallback**—Enable or disable the H.323 codec fallback feature. The default value is **disabled**. Valid values are:

- enabled | disabled

## H.323 TCS Media Sample Size Preservation

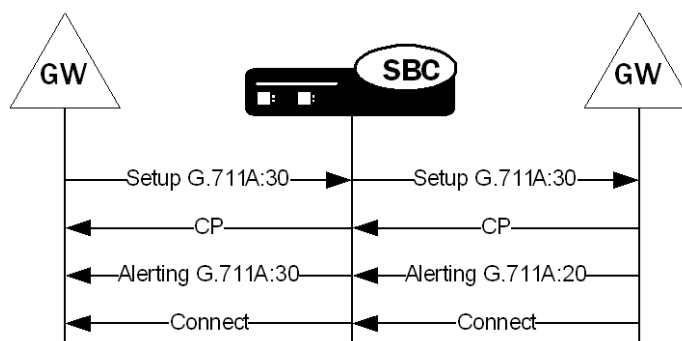
For H.323 fastStart calls, the Oracle® Enterprise Session Border Controller can be configured to preserve the packetization interval from the called gateway if it differs from the one offered in the Setup message the calling gateway sent.

When this feature is disabled and in accordance with the ITU H.323 recommendation, the Oracle® Enterprise Session Border Controller changes the packetization rate to the one used by the calling gateway if the one offered by the called gateway differs. In the following example, this means that the Oracle® Enterprise Session Border Controller replaces the packetization interval of 20 with 30 before it forwards the Alerting message to the calling gateway.



However, not all H.323 elements comply with the ITU recommendation. Since some network elements do modify the packetization rate in the dataType element, this behavior is now configurable.

When you enable media sample size preservation, the Oracle® Enterprise Session Border Controller allows the packetization rate to be modified and forwards on the modified dataType element to the calling gateway. In the following example, you can see that the Oracle® Enterprise Session Border Controller forwards the called gateway's Alerting with the packetization interval of 20 despite the fact that the calling gateway's Setup specified 30.



Note that the calling endpoint might or might not work with the modified dataType.

You can enable this feature for the global H.323 configuration so that it applies to all H.323 fastStart calls, or you can enable it on a per-H.323 interface (stack) basis. When you enable this feature for an individual H.323 interface (stack), the Oracle® Enterprise Session Border Controller performs media sample size preservation for calls egressing on that interface.

## Media Sample Size Configuration

This section shows you how to configure media sample size preservation for the global H.323 configuration and for an individual H.323 interface (stack).

To enable media sample size preservation for the global H.323 configuration:

1. In Superuser mode, type **configure terminal** and press Enter.

```
ORACLE# configure terminal
```

2. Type **session-router** and press Enter.

```
ORACLE(configure)# session-router
```

3. Type **h323** and press Enter.

```
ORACLE(session-router)# h323
```

```
ORACLE(h323)#
```

4. **options**—Set the options parameter by typing **options**, a Space, the option name **forwardFSAcceptedDataType** with a plus sign in front of it. Then press Enter.

```
ORACLE(h323)# options +forwardFSAcceptedDataType
```

**If you type options** and then the option value for either of these entries **without the plus sign**, you will overwrite any previously configured options. In order to append the new option to the h323 configuration's options list, you must prepend the new option with a plus sign as shown in the previous example.

5. Save and activate your configuration.

To enable media sample size preservation for an individual H.323 interface:

6. In Superuser mode, type **configure terminal** and press Enter.

```
ORACLE# configure terminal
```

7. Type **session-router** and press Enter.

```
ORACLE(configure)# session-router
```

8. Type **h323** and press Enter.

```
ORACLE(session-router)# h323  
ORACLE(h323)#
```

9. Type **h323-stacks** and press Enter.

```
ORACLE(h323)# h323-stacks  
ORACLE(h323-stack)#
```

If you are adding support for this feature to a pre-existing H.323 interface (stack), then you must select (using the ACLI **select** command) the one you want to edit.

10. **options**—Set the options parameter by typing **options**, a Space, the option name **forwardFSAcceptedDataType** with a plus sign in front of it. Then press Enter.

```
ORACLE(h323-stack)# options +forwardFSAcceptedDataType
```

**If you type options** and then the option value for either of these entries **without the plus sign, you will overwrite any previously configured options. In order to append the new option to the h323-stack configuration's options list, you must prepend the new option with a plus sign as shown in the previous example.**

11. Save and activate your configuration.

## H.323-TCS H.245 Support for H.264 and G722.1

The Oracle® Enterprise Session Border Controller supports the H.264 video codec and the G722.1 audio codec. Especially useful for customer video product offerings in which the Oracle® Enterprise Session Border Controller is deployed, this support further allows the Oracle® Enterprise Session Border Controller to increase ease of use by supporting private addressing. Without this feature enabled (the Oracle® Enterprise Session Border Controller's previous behavior), the Oracle® Enterprise Session Border Controller required deployment for IANA registered IP addresses—despite the fact that IP VPNs allow for RFC 1918 private addressing.

## H.323-TCS Generic Video Configuration

To enable this feature, you need to set up media profile configurations appropriately. Media profiles now allow you to set the configuration either as “generic video” or generic audio.

H.245 provides for defining new capabilities that are described as H.245 generic capabilities (GenericCapability), which the Oracle® Enterprise Session Border Controller now supports using the H.245 GenericCapability structure. H.264 and

G.722.1 are the first codecs the Oracle® Enterprise Session Border Controller offers that use this mechanism.

To set a media profile for generic video support:

1. In Superuser mode, type **configure terminal** and press Enter.

```
ORACLE# configure terminal
ORACLE(configure)#
```

2. Type **session-router** and press Enter.

```
ORACLE(configure)# session-router
```

3. Type **media-profile** and press Enter.

```
ORACLE(session-router)# media-profile
ORACLE(media-profile)#
```

4. **name**—Set the name of the generic video media profile to genericVideo. There is no default for this parameter.
5. **media-type**—Set the media type to use for this media profile; for generic video, set this parameter to video.
6. **payload-type**—Set the payload type to use for the generic video media profile.
7. **transport**—Set the transport type to use for the generic video media profile.
8. Complete the rest of the media profile configuration as needed.
9. Save and activate your configuration.

The following is a sample of a generic video media profile configuration:

```
media-profile
  name                genericVideo
  media-type          video
  payload-type        99
  transport            RTP/AVP
  req-bandwidth       0
  frames-per-packet   0
  parameters
    average-rate-limit 0
    sdp-rate-limit-headroom 0
    sdp-bandwidth      disabled
```

## H.323-TCS Generic Audio Configuration

To set a media profile for generic audio support:

1. In Superuser mode, type **configure terminal** and press Enter.

```
ORACLE# configure terminal
ORACLE(configure)#
```



2. Type **session-router** and press Enter.

```
ORACLE(configure)# session-router
```

3. Type **media-profile** and press Enter.

```
ORACLE(session-router)# media-profile
ORACLE(media-profile)#
```

4. **name**—Set the name of the generic audio media profile to genericAudio. There is no default for this parameter.
5. **media-type**—Set the media type to use for this media profile; for generic video, set this parameter to audio.
6. **payload-type**—Enter the format in SDP m lines. No payload type number is assigned for newer, dynamic codecs. For RTP/AVP media-profile elements, this field should only be configured when there is a standard payload type number that corresponds to the encoding name. Otherwise, this field should be left blank. This field is used by the system to determine the encoding type when the SDP included with a session identifies the standard payload type on the em line, but does not include an a-rtpmap entry.
7. **transport**—Set the type of transport protocol to use for the generic audio media profile. The default value is **RTP/AVP**.
  - UPD | RTP/AVP
8. Complete the rest of the media profile configuration as needed.
9. Save and activate your configuration.

The following is a sample of a generic audio media profile configuration:

```
media-profile
  name                genericAudio
  media-type          audio
  payload-type        104
  transport           RTP/AVP
  req-bandwidth       0
  frames-per-packet   0
  parameters
    average-rate-limit 0
    sdp-rate-limit-headroom 0
    sdp-bandwidth      disabled
```

## International Peering with IWF and H.323 Calls

When you do not enable this feature, H.323 calls can default to a National Q.931 Number Type and it is not possible to change it to an International number. This feature allows you to override that behavior by configuring the option **cpnType=X**, where X is an integer that maps to various Q.931 Number Types. When this option is set, Q.931 Number Type for both calling party and called party are updated to the configured value for all outgoing calls on the h323-stack.

The following is a list of possible **cpnType=X** option values for X:

- 0—Unknown public number

- 1—International public number
- 2—National public number
- 3—Specific public network number
- 4—Public subscriber number
- 5—Public abbreviated number
- 6—Private abbreviated number

You configure this feature as an option in the **h323-stack** configuration.

To configure the `cpnType=X` option for H323-H323 calls:

1. In Superuser mode, type **configure terminal** and press Enter.

```
ORACLE# configure terminal
ORACLE(configure)#
```

2. Type **session-router** and press Enter.

```
ORACLE(configure)# session-router
ORACLE(session-router)#
```

3. Type **h323-config** and press Enter. The system prompt changes to let you know that you can begin configuring individual parameters.

```
ORACLE(session-router)# h323-config
ORACLE(h323)#
```

4. Type **h323-stacks** and press Enter. The system prompt changes to let you know that you can begin configuring individual parameters.

```
ORACLE(h323)# h323-stack
ORACLE(h323-stack)#
```

5. Set the options parameter by typing **options**, a Space, the option name **cpnType=x** with a plus sign in front of it, and then press Enter.

```
ORACLE(h323-stack)# options +cpnType=x
```

If you type **options** without the plus sign, you will overwrite any previously configured options. In order to append the new options to the h323-stack's options list, you must prepend the new option with a plus sign as shown in the previous example.

6. Save and activate your configuration.

## Default OLC Behavior Changed in Upgrade

You can configure the Oracle® Enterprise Session Border Controller to force media profiles in OLC messages when negotiating H.323 calls. This is the default behavior prior to Release S-C6.1.0.

In Release 6.1.0 and forward the default behavior of OLC is to inherit the values received in the signaling message from the remote endpoint.

To enable forced media profiles in OLC:

1. In Superuser mode, type **configure terminal** and press Enter.

```
ORACLE# configure terminal  
ORACLE(configure)#
```

2. Type **session-router** and press Enter.

```
ORACLE(configure)# session-router  
ORACLE(session-router)#
```

3. Type **h323-config** and press Enter.

```
ORACLE(session-router)# h323-config  
ORACLE(h323-config)#
```

4. **options**—Set the options parameter by typing **options**, a Space, the option-name **forceMediaProfileInOLC** with a plus sign in front of it, and then press Enter.

```
ORACLE(h323-config)# options +forceMediaProfileInOLC
```

If you type the option without the plus sign, you will overwrite any previously configured options. In order to append the new options to the SIP interface configuration's options list, you must prepend the new option with a plus sign as shown in the previous example.

5. Save and activate your configuration.

## Options

The options parameter in the global H.323 and H.323 interface configurations allows you to establish the use of specific features; most of those features are customer specific.

You should exercise caution when you apply options because of the fact that many of them are for customer-specific applications. Consult with your Acme Packet systems engineering to find out if using a particular option would be an advantage to you.

Under no circumstance do we recommend that you configure options without Oracle consultation. There is the chance that you could set an option that might harm an otherwise sound configuration.

Some of the options described below are only applicable to IWF calls. However, you need to establish them in your H.323 configuration.

## Global H.323 Options

The following table lists and describes global H.323 options.

 **Note:**

Oracle recommends you contact your Oracle account representative before configuring these options.

Options	Description
NoDynamicMSD	Oracle® Enterprise Session Border Controller forcefully assumes the “master” role for an outgoing call, and the slave role for an incoming call.
AllowOLCWoMSD	Oracle® Enterprise Session Border Controller sends OLC before master/slave determination is complete. Causes the Oracle® Enterprise Session Border Controller to be noncompliant with the H.323 recommendation, which does not permit an OLC to be sent prior to MSD completion.
ModifyMediaInAck	Oracle® Enterprise Session Border Controller accepts and propagates changes to media presented in an OLC Ack. Applies only to Fast Start OLC/OLC Ack messages embedded in H.225/Q.931 messages during call setup. Causes Oracle® Enterprise Session Border Controller to be noncompliant with the H.323 recommendation, which does not permit media characteristic to be specified in an OLC to be changed in an OLCAck.
MapG729	Oracle® Enterprise Session Border Controller maps H.245 G.729 to SDP G.729 with Annex B and vice versa. Applicable only to IWF calls.
ColonG729	Oracle® Enterprise Session Border Controller uses the : (colon) instead of the = (equal sign) in the media attribute line a=fmtp:18 annexb=yes/no when mapping H.245 G.729 or SDP G.729 with Annex B. Applicable only to IWF calls.
IwfLRQ	Oracle® Enterprise Session Border Controller sends an INVITE (with no SDP) to a redirect server in response to an incoming LRQ received on an H.323 interface. If a 3xx message with a redirected contact header is returned, the Oracle® Enterprise Session Border Controller will send an LCF in response to the LRQ. Otherwise, it will send an LRJ.
NoG729AnnexB	SDP received by the IWF with H.729 and no FMTP will be mapped to G.729 on the H.323 side of the call. Can also be set in the session agent options parameter.
sameT38Port	Oracle® Enterprise Session Border Controller does not allocate separate ports for audio and T.38. Oracle® Enterprise Session Border Controller will send the same audio port in the OLCAck that it sees in a request mode for T.38 and a new OLC for T.38.
pvtStats	Oracle® Enterprise Session Border Controller includes program value tree (PVT) statistics in the show h323d display that are a sum of the PVT statistics for all H.323 interfaces. Used for debugging purposes.
strayARQTimer	Required the syntax "strayARQTimer=x," where x is the number of seconds the system waits before tearing down an unsuccessful call in the case of stray ARQs.
forceMediaProfileInO LC	Reverts to older OLC Behavior.

## H.323 Interface Options

The following table lists and describes the H.323 interface options.

 **Note:**

Oracle recommends that you contact your Oracle account representative before configuring these options.

Option	Description
stackAliasWins	Oracle® Enterprise Session Border Controller will replace the sourceAddress of the incoming Setup message with the terminal alias of the egress interface when copying the incoming sourceAddress to the outgoing Setup message.
uniqueRRQRASAddresses	Oracle® Enterprise Session Border Controller will generate unique rasAddress for each RRQ that it sends to a gatekeeper in response to an incoming RRQ received on an H.323 interface configured for process registration. The IP address will be the local-ip of the outgoing interface, so the port is the unique portion of the rasAddress.
nonV4AdditiveRRQ	Gatekeeper associated with the H.323 interface support additive registration even though it does not set the additiveRegistration field in the RRQ message. When sending in the additive mode, the H.323 interface only sends with the RRQ new terminal aliases that need to be registered. In non-additive mode, the interface sense all the terminal aliases that have been registered, plus the new aliases.
cachedTerminalAlias	Oracle® Enterprise Session Border Controller copies the terminal alias(es) of the registered endpoint to the asourceAddress field of the Setup message. Terminal alias(es) are changed after the system successfully processes an RRQ from the endpoint.
proxySrcInfo	Oracle® Enterprise Session Border Controller copies the srcInfo from the incoming Setup message to the outgoing Setup message. Otherwise, Oracle® Enterprise Session Border Controller uses its own endpointType for the srcInfo field.
noAliasinRCF	Oracle® Enterprise Session Border Controller does not include any terminal alias in the RCF.
forceH245	Oracle® Enterprise Session Border Controller initiates an H.245 connection after the call is connected. Otherwise, Oracle® Enterprise Session Border Controller listens for an H.245 connection to be initiated by a remote endpoint.
useCPNinRAS	Oracle® Enterprise Session Border Controller uses the calling party number (CPN) IE of the incoming call as the srcInfo of a RAS message sent in the outgoing call (such as an ARQ).
maintenanceProxy	Oracle® Enterprise Session Border Controller registers interfaces on the enterprise side with a gatekeeper on the carrier side, and registers endpoints through the Oracle® Enterprise Session Border Controller with a unique rasAddress. Interfaces on the enterprise side are associated with the carrier interfaces; you set this option on the carrier side.
convertPNTtoE164	Oracle® Enterprise Session Border Controller converts the address type partyNumber to dialedDigits (E.164). Conversion applies to sourceAddress, destinationAddress, and destExtraCallInfo aliases in Setup messages.

Option	Description
useCalledPNAsDestInfo	Oracle® Enterprise Session Border Controller uses the H.225 called party number IE as the destinationInfo in ARQ and LRQ requests. Since translation rules can be applied to the Called Party Number, the option enables digit normalization for RAS requests. When not used, Oracle® Enterprise Session Border Controller derives the destinationInfo field in RAS requests from the DestinationAddress field of the incoming Setup.
waitForIncomingH245	On the incoming leg, the Oracle® Enterprise Session Border Controller does not send out its h245Address, but waits for the calling endpoint to send its H245Address. Applies to the outgoing call leg as well: The Oracle® Enterprise Session Border Controller does not send out a Facility with startH245 reason and waits for the called endpoint to send its H245Address.
uniqueRRQSrcPort	Enables H.323 RAS Port Mapping. The Oracle® Enterprise Session Border Controller uses the RAS port that it assigned in the rasAddress parameters of an RRQ message as the UDP source port of the outgoing RRQ. Because this feature is linked to the unique RRQ functionality, be aware of the following before you enable the feature: <ul style="list-style-type: none"> <li>• Enabling H.323 RAS Port Mapping automatically enables the Oracle® Enterprise Session Border Controller's unique RRQ functionality, eliminating the need for you to configure the latter as a separate option.</li> <li>• Enabling the unique RRQ functionality (by setting the uniqueRRQRASAddress option) does not automatically enable H.323 RAS Port Mapping.</li> </ul>
srcCallSignallingPort	Enables use of the Q.931 port value for the port field in the sourceCallSignalAddress parameter in an H.225 Setup message. Useful for customers who configure a separate H.323 interface (stack) on the core side for each external IP-PBX.

## H.323 Stack Monitoring

In releases prior to S-C6.2.0, the Oracle® Enterprise Session Border Controller provides SNMP monitoring of H.323 session agents but not of the H.323 stacks themselves. The H.323 stack/interface configuration now provides a way for you to set alarm thresholds on a per-stack basis. When enabled, this alarm system ties into the max-calls value to send critical, major, or minor alarms when the number of calls approaches the threshold.

Each H.323 stack now has a threshold crossing alert (TCA) where you can set up three severity levels: critical, major, and minor. You can define one severity level or all three for each stack. To prevent the alarm from firing continuously as call volume through the stack varies, each severity level has an has a reset value below the TCA you set. In addition, each threshold value resets when:

- An alarm with a higher severity is triggered, or
- The built-in reset value for the threshold level is 1% less than the parameter value

RTN 1477

## H.323 Stack Monitoring Configuration

This section shows you how to configure H.323 stack monitoring for one H.323 stack configuration. This example shows one instance of the alarm-threshold sub-configuration being established; remember that you can set three—critical, major, and minor. Simply repeat the configuration steps to add more severity levels.

To set up H.323 stack monitoring:

1. In Superuser mode, type **configure terminal** and press Enter.

```
ORACLE# configure terminal  
ORACLE(configure)#
```

2. Type **session-router** and press Enter.

```
ORACLE(configure)# session-router  
ORACLE(session-router)#
```

3. Type **h323** and press Enter to access the global H.323 configuration.

```
ORACLE(session-router)# h323  
ORACLE(h323)#
```

4. Type **h323-stack** and press Enter. If you are adding H.323 stack monitoring to an existing H.323 stack configuration, then remember you must select the stack you want to edit.

```
ORACLE(h323)# h323-stack  
ORACLE(h323-stack)#
```

5. Type **alarm-threshold** and press Enter to configure this feature.

```
ORACLE(h323-stack)# alarm-threshold  
ORACLE(alarm-threshold)#
```

6. **severity**—Enter the type of severity level for the alarm you want to define. Choose from: **critical**, **major**, or **minor**. This value is required, and defaults to **minor**.
7. **value**—Enter the percentage of the number of calls defined in the **max-calls** parameter that triggers the alarm. For example, if you want to set a minor alarm to fire when the call rate through the stack reaches half the **max-calls** value, enter **50** (meaning 50%). The default value for this parameter is 0, which disables the alarm.

Remember that if the number of calls falls to below 1% of the max-calls threshold you set, the clear trap fires.

8. Save your work. You can see the data related to this feature using the ACLI **display-alarms** and **show h323 stack stack-alarms** commands.

## H.323 Automatic Features

This section describes H.323 features that are automatically enabled on your Oracle® Enterprise Session Border Controller. You do not have to configure special parameters to turn them on. Even though you do not have to turn these features on, this section describes what they do and how they work.

### Alias Mapping

Alias mapping permits destination addresses to be modified by a gatekeeper.

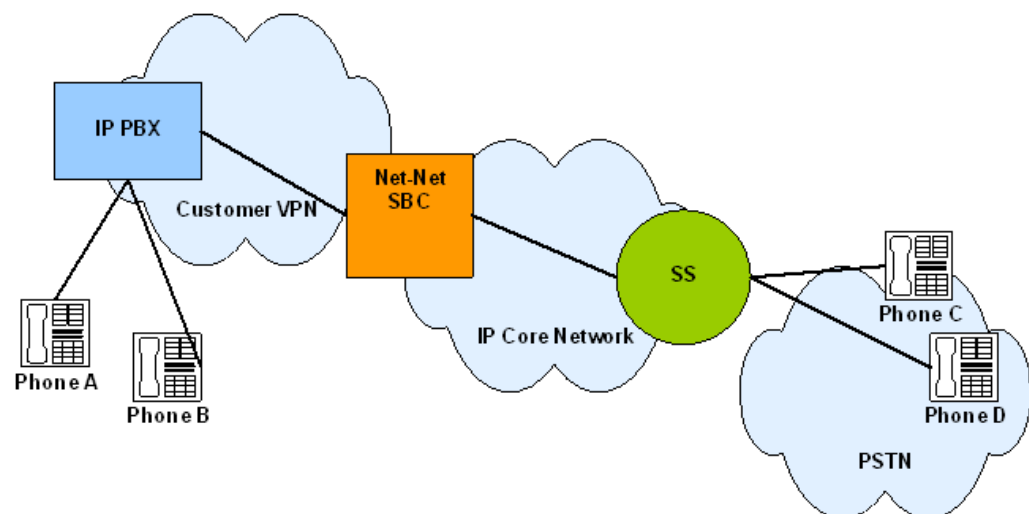
When sending an ARQ or an LRQ message to a gatekeeper, the Oracle® Enterprise Session Border Controller sets the `canMapAlias` field in that message to true. This setting indicates that the Oracle® Enterprise Session Border Controller accepts modified destination information from the gatekeeper. If the resulting ACF or LCF contains `destinationInfo` and/or `destExtraCallInfo` fields, then the Oracle® Enterprise Session Border Controller copies that information respectively to the `destinationAddress` and `destExtraCallInfo` fields of the Setup message. In addition, if the `destinationInfo` is either type `e164` or type `partyNumber`, the Oracle® Enterprise Session Border Controller copies the information into the `calledPartyNumber` information element (IE) of the Setup message, replacing the existing `calledPartyNumber` IE.

You do not need to configure special parameters for this feature; it is enabled automatically.

### Call Hold and Transfer

The Oracle® Enterprise Session Border Controller's H.323 call hold and transfer feature supports consultation in addition to call hold and transfer. This feature uses signaling procedures based on the ITU-T recommendations/H.323 specification for what it calls third party initiated pause and rerouting.

The following diagram shows how the Oracle® Enterprise Session Border Controller is positioned to provide call hold and transfer support for H.323.





## Call Hold and Transfer Basic Call

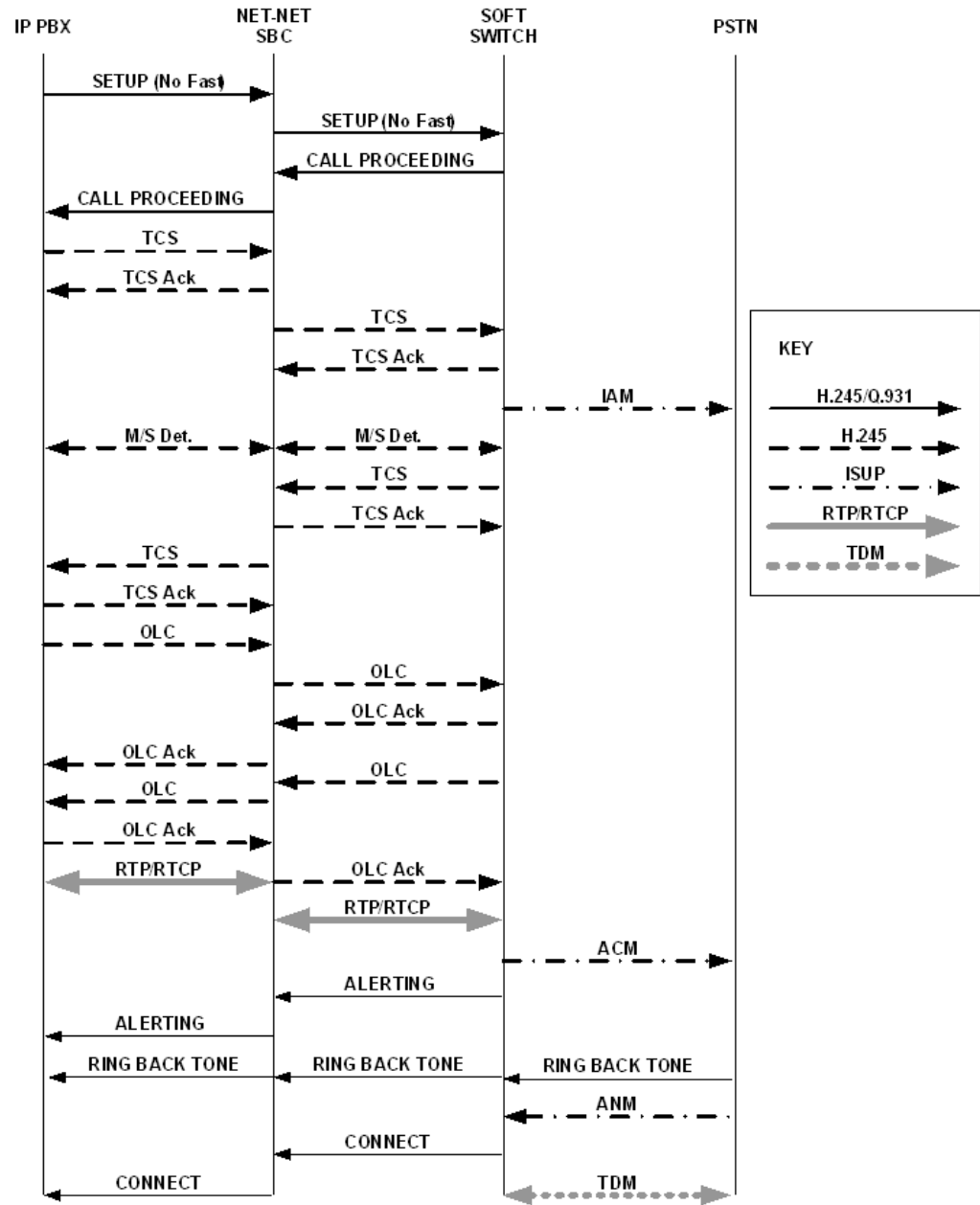
The following diagram show the signaling and media flows between the IP PBX and a softswitch. Note how the Oracle® Enterprise Session Border Controller is position to mediate flows between the two devices.

In the Call Proceeding messages forwarded to the IP PBX, the Oracle® Enterprise Session Border Controller uses a non-zero value to ensure that the IP PBX initiates an H.245 session. A progress indicator does not need to be included if the H.245 address is present in any of the following message types: Alerting, Progress, or Connect.

After the Oracle® Enterprise Session Border Controller receives a Call Proceeding message from the softswitch that contains the H.245 address, the Oracle® Enterprise Session Border Controller sends another Call Proceeding with its own H.245 address.

In the following call flow, the softswitch generates message to the gateway. These messages are:

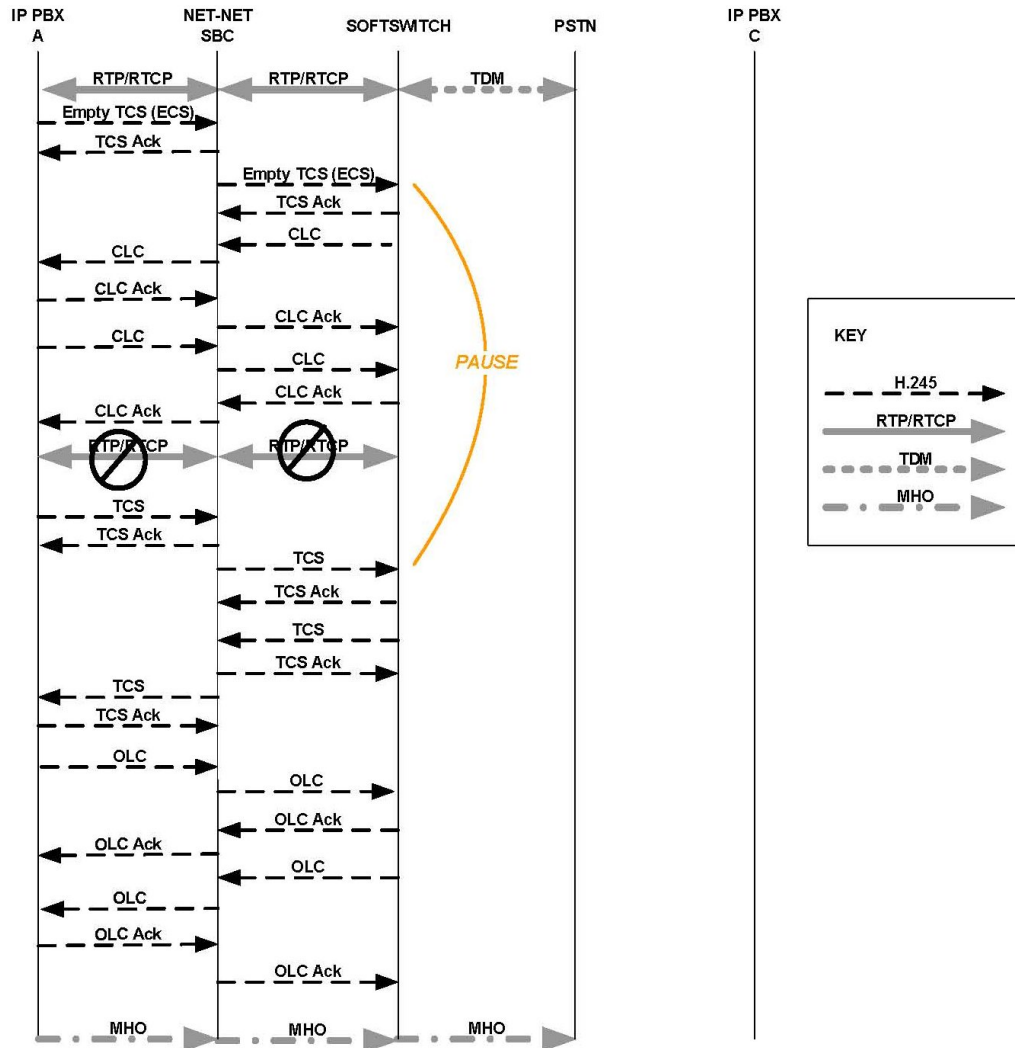
- Initial Address Message (IAM)
- Address Complete Message (ACM)
- Answer Message (ANM)



## Call Hold and Transfer Music on Hold

The following diagram begins with the condition that IP PBX A is already connected with a gateway, with the Oracle® Enterprise Session Border Controller and the softswitch positioned between the two.

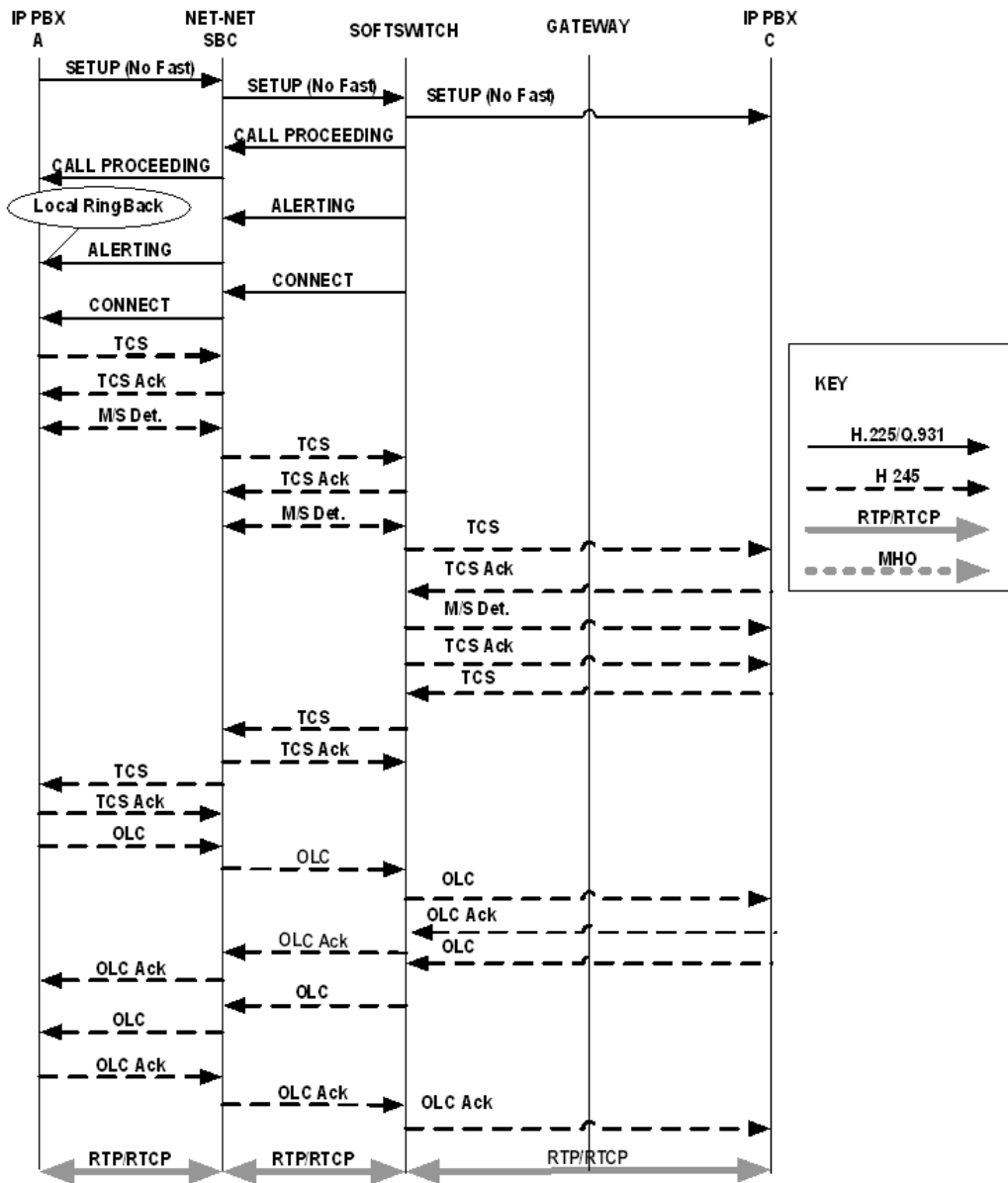
You can see in the call flow where the channels for transporting media are closed, and where the RTP/RTCP is stopped. This creates a pause for the call. With the Oracle® Enterprise Session Border Controller mediating the process, IP PBX A and the softswitch exchange TCS and OLC messages that allow music on hold (MHO) to flow between IP PBX A and the gateway.

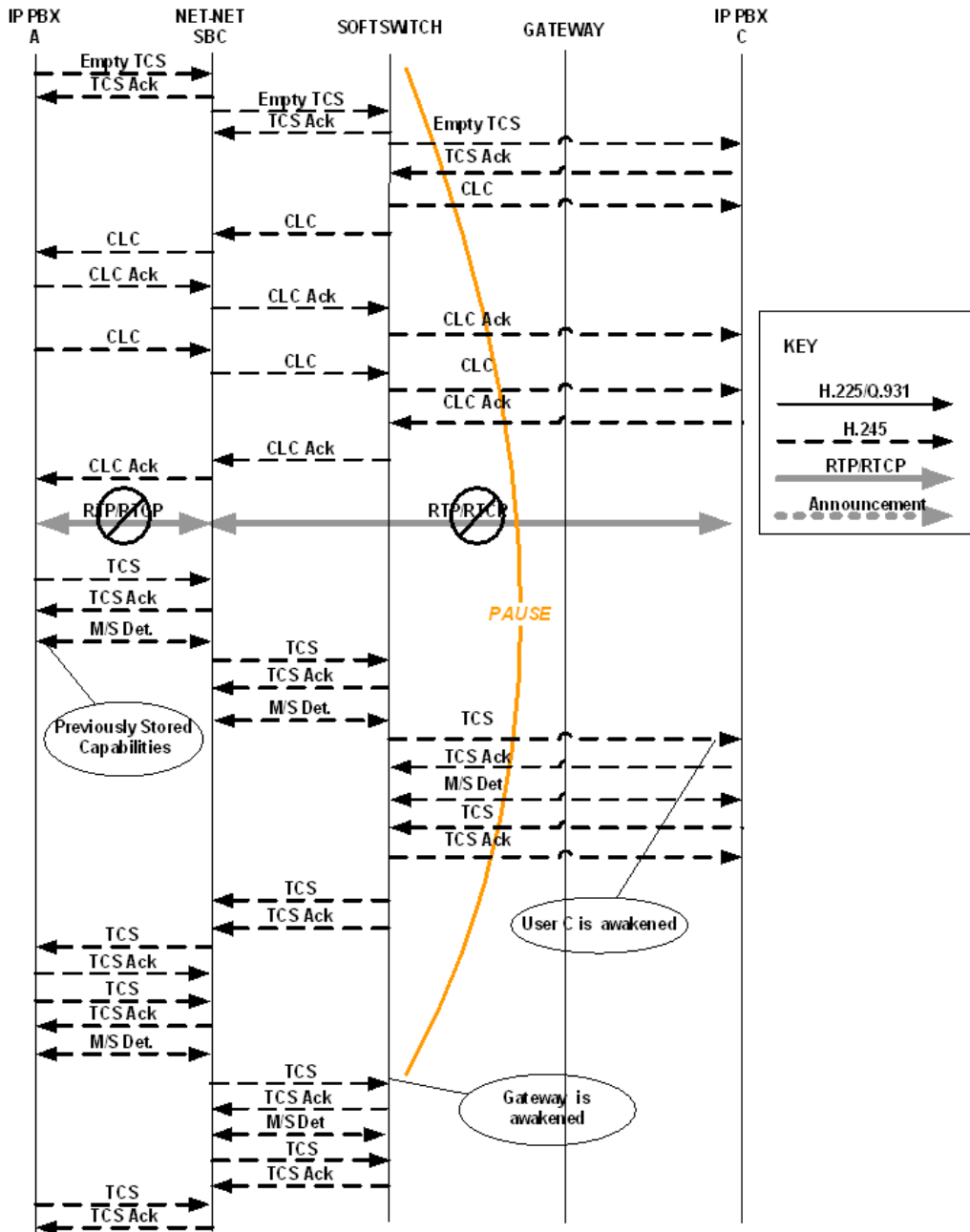


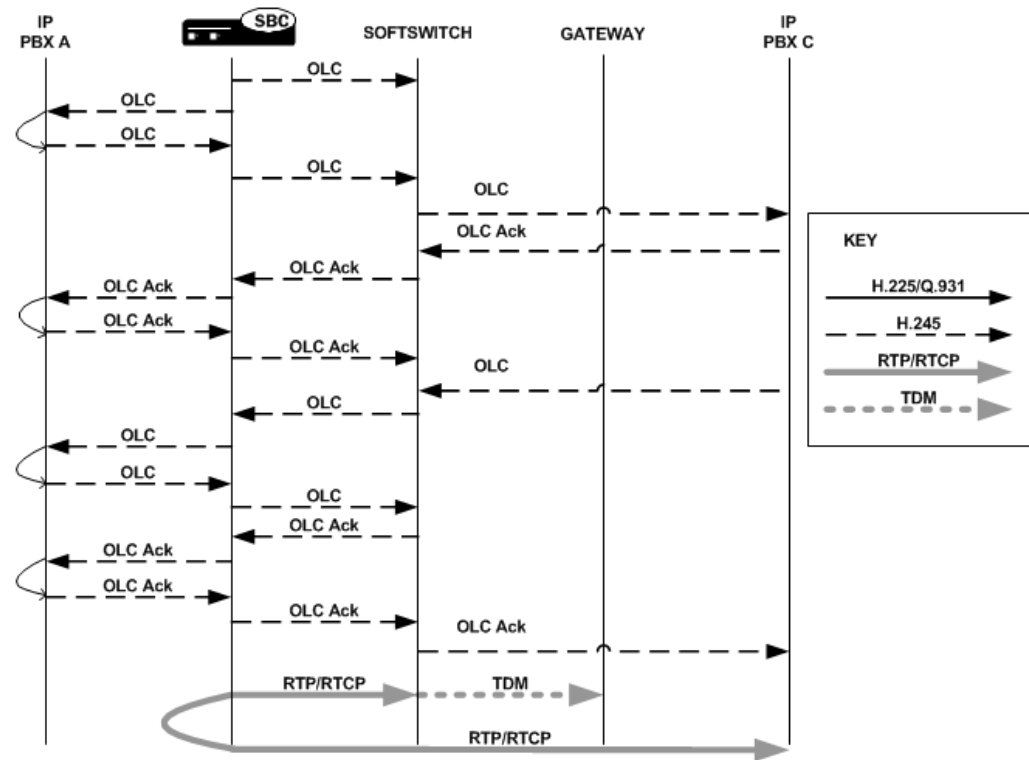
## Call Hold and Transfer

The following diagram shows how call transfer works on the Oracle® Enterprise Session Border Controller for H.323. In this diagram, you can see:

- Where local ringback occurs
- Where the pause begins and ends
- Where users and gateways are awakened
- Where logical channels are opened and closed







## Media Release for SS-FS Calls

When the Oracle® Enterprise Session Border Controller routes a slow-start to fast-start call, it is possible for the same fast-start call to be routed back through the Oracle® Enterprise Session Border Controller making for a hairpin flow. If it does become a hairpin flow, then the Oracle® Enterprise Session Border Controller routes it to its destination as a fast-start to fast-start call. This can result in one-way media if:

- The destination of the hairpin call is in the same realm as the originating slow-start to fast-start call
- The realm reference in the first bullet item is configured to disable in-realm media management
- The called endpoint accepts the proposed fast-start logical channels

The enhancements to the Oracle® Enterprise Session Border Controller's behavior described in this section show how the Oracle® Enterprise Session Border Controller follows additional procedures when setting up a hairpin flow to avoid one-way media when media release occurs.

For H.323 calls, the Oracle® Enterprise Session Border Controller establishes media using the H.245 procedures described in the H.245 ITU-T recommendation: control protocol for multimedia communication. It also uses the Fast Connect procedure defined in the H.323 ITU-T recommendation: packet-based multimedia communication systems.

The latter ITU-T recommendation allows a calling endpoint to send a Setup message that contains a fastStart element, a sequence of OLC structures that describe the calling endpoint's proposed forward/reverse logical channels. If the called endpoint accepts this proposal, then logical channels are established.

When the Oracle® Enterprise Session Border Controller translates a call originating in slow-start to fast-start, it uses a Fast Connect procedure in the outgoing leg by sending an outgoing Setup that includes a fastStart element with one or more OLC structures. But when the Oracle® Enterprise Session Border Controller constructs this message, it is unaware of whether the call will become hairpinned or if media release will occur. Because it does not yet have this information, the Oracle® Enterprise Session Border Controller sets the Network Address and the TSAP identifier in the OLC structures to the ingress IP address and port of a corresponding media flow allocated for media traveling between the calling and called endpoints. So if the called endpoint accepts the fastStart the Oracle® Enterprise Session Border Controller proposes, the called endpoint would send its media to the Oracle® Enterprise Session Border Controller. After acceptance, the system starts H.245 procedures on the slow-start side of the call to set up logical channels on that side. Then the Oracle® Enterprise Session Border Controller updates the IP address and port of the media flows using OLC and OLCAck messages received from the calling endpoint.

This procedure works well for endpoints that are not in the same realm, or that are in the same realm for which media management is disabled, because each endpoint must send its media through the Oracle® Enterprise Session Border Controller. When the endpoints are in the same realm and when media management is enabled, however, the Oracle® Enterprise Session Border Controller must perform additional steps for media release in slow-start to fast-start calls.

To support media release in slow-start to fast-start calls, the Oracle® Enterprise Session Border Controller performs a hold-and-resume procedure on the fast-start side. After it establishes channels on the slow-start side and if it detects media release being enabled, the Oracle® Enterprise Session Border Controller sends an empty TCS to the fast-start side to put that side on hold. Then the called endpoint closes all the logical channels it previously opened in the Fast Connect procedure and stops transmitting to them. And the Oracle® Enterprise Session Border Controller also closes its logical channels. Once the channels are closed, the Oracle® Enterprise Session Border Controller resumes the call by sending a new, restricted TCS to the fast-start side. The restricted TCS only contains the receive and transmit capabilities of the codec types that the called endpoint accepted in the Fast Connect procedure, and it forces the called endpoint to re-open logical channels of the same codec types accepted in the Fast Connect procedure. Once it receives an OLC from the called endpoint, the Oracle® Enterprise Session Border Controller sends an OLCAck with the Network Address and TSAP identifier for the logical channel from the calling endpoint. Then the Oracle® Enterprise Session Border Controller re-opens logical channels (of the same codec types that it opened in the Fast Connect procedure). If the called endpoint has not changed its Network Address and TSAP identifier for its logical channels, media is re-established after the Oracle® Enterprise Session Border Controller and the called endpoint exit the hold state. The last step is for the Oracle® Enterprise Session Border Controller to re-send the full TCS message from the calling to the called endpoint to inform the called endpoint of the full capabilities of the calling endpoint.

## Dependencies

This feature depends on the following assumptions:

- The H.323 endpoint supports the third-party-initiated pause and re-routing feature.
- The H.323 endpoint does not change its Network Address and TSAP identifier when it re-opens the logical channels.

- The H.323 endpoint does not immediately tear down the call when there is not established logical channel in the call.

## Hold-and-Resume Procedure

The hold-and-resume procedure has three states:

- **Media Hold**—Starts when the Oracle® Enterprise Session Border Controller sends the empty TCS to the called endpoint to put it on hold. When it detects media release, the Oracle® Enterprise Session Border Controller puts the called endpoint on hold. It can only do so if it has exchanged the TCS/TCSAck messages and completed master-slave determination with the calling endpoint.

When the Oracle® Enterprise Session Border Controller receives a TCSAck in response to the empty TCS that it sent to the called endpoint, it closes the logical channels it opened as part of the Fast Connect procedure; the called endpoint likewise closes its logical channels. The two then exchange CLC and CLCAck messages, which signals the start of the Media Resume state.

- **Media Resume**—Starts when the Oracle® Enterprise Session Border Controller sends a restricted TCS to resume the call. The restricted TCS the Oracle® Enterprise Session Border Controller sends contains only the receive/transmit capabilities of the codec types previously accepted by the called endpoint in the Fast Connect procedure. This forces the called endpoint to re-open logical channels of the same codec type that were previously accepted in the Fast Connect procedure.

After sending this TCS, the system is ready (as specified in the ITU-T recommendations) to take part on the master-slave determination (MSD) process. However, the called party and not the Oracle® Enterprise Session Border Controller initiates the MSD if it is required. The MSD is completed if necessary. Alternately, the called endpoint can start to re-open its logical channels. When it receives the first OLC from the called endpoint, the Oracle® Enterprise Session Border Controller also starts to re-open its logical channels.

- **Media Complete**—Starts when all the logical channels that the Oracle® Enterprise Session Border Controller re-opens are acknowledged by the called endpoint.

When it enters the Media Complete state, the Oracle® Enterprise Session Border Controller updates the called endpoint with the full capabilities of the calling endpoint by sending the full TCS.

## H.323 and IWF Call Forwarding

This section describes the Oracle® Enterprise Session Border Controller's H.323 and IWF Call Forwarding feature, which is supported for H.323 calls and for calls initiated in SIP that require interworking to H.323.

### Previous Behavior

Prior to Release 4.1, the Oracle® Enterprise Session Border Controller did not forward calls when the remote H.323 endpoint sent a Facility message with Call deflection as the reason and an alternate address for forwarding. Instead, it would either:

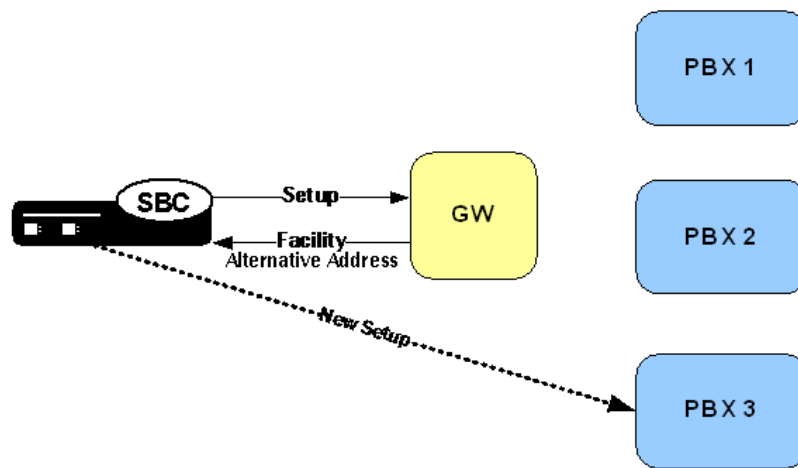
- Fail to release the initial call and initiate the forwarded call
- Drop the entire call when the remote endpoint for the call tore down the session



## New Behavior

In the diagram below, you can see that the Oracle® Enterprise Session Border Controller sends the initial Setup message to the gateway, and the gateway returns the Facility message with an alternate address for forwarding. Rather than engaging in its former behavior, the Oracle® Enterprise Session Border Controller now releases the call with the gateway and sends a new Setup to the alternate address from the Facility message.

This new Setup up has no effect on the first call leg, which remains connected.

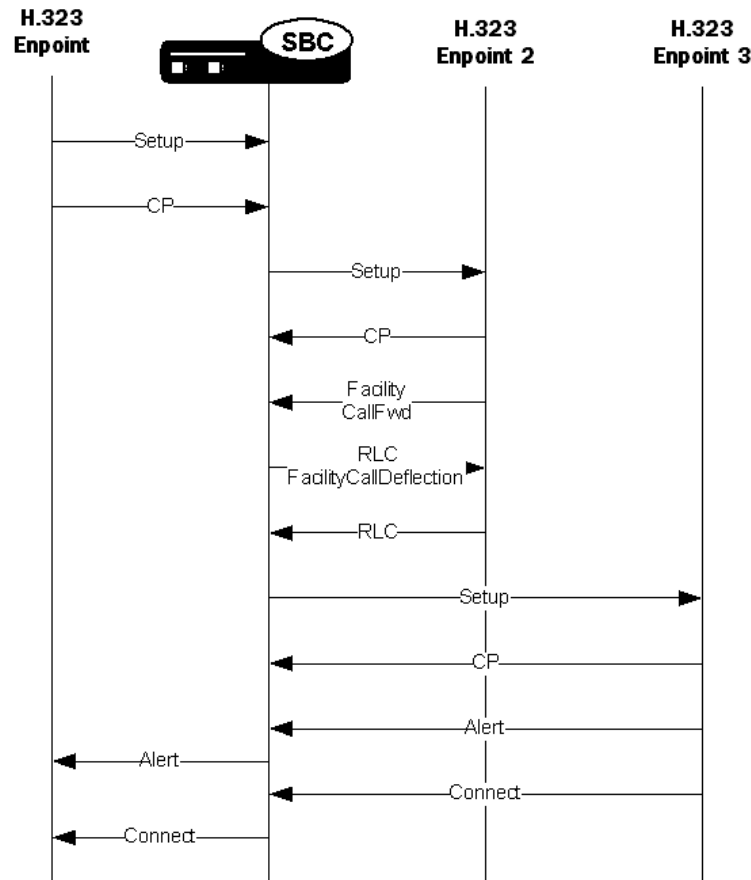


When it receives a Facility message with the reason CallForwarded, the Oracle® Enterprise Session Border Controller looks for an alternate transport address in the Facility's alternativeAddress or alternativeAliasAddress element. The Oracle® Enterprise Session Border Controller releases the egress call with the reason facilityCallDeflection. Then it takes one of two courses of action:

- If it does not find an alternative address, the Oracle® Enterprise Session Border Controller releases the ingress call (with the reason facilityCallDeflection).
- If it finds an alternative address and the egress call has not been alerted or answered, the Oracle® Enterprise Session Border Controller at this point tries to initiate a new egress call. The Oracle® Enterprise Session Border Controller uses the alternative alias address to populate the calledPartyNumber information element (IE) and the destination address of the new Setup.

## H.323 Sample Call Flow

The following diagram shows how the H.323 Call Forwarding feature works in a purely H.323 environment.



## H.323 NOTIFY Support

To inform another call party of a certain event or communicate information to it, and H.323 entity might send a NOTIFY message. For example, a gateway might send a NOTIFY message to inform the calling party of a display name for a transferee. In previous releases, the Oracle® Enterprise Session Border Controller did not process such a NOTIFY message, blocking the message from reaching its intended destination.

The Oracle® Enterprise Session Border Controller supports the NOTIFY message so that it can pass through and reach its intended destination.

## Caveats

The Oracle® Enterprise Session Border Controller does not support interworking the NOTIFY message to a SIP message for calls that require interworking between H.323 and SIP; this support is for pure H.323 calls only.

## H.323 H.239 Support for Video+Content

The Oracle® Enterprise Session Border Controller supports multiple media streams for the same payload, generic capabilities, and H.239 generic messages. As a result, these additions broaden the Oracle® Enterprise Session Border Controller's support

for videoconferencing, and free you from have to configure media profiles for H.323 support.

 **Note:**

These additions are supported for H.323-H.323 traffic only. These additions do not support SIP-H.323 interworking (IWF), so you still need to configure media profiles for that application.

## Multiple Media Streams with the Same Payload

In releases prior to S-C6.2.0, the Oracle® Enterprise Session Border Controller supports multiple audio-video-data streams only if those streams use different payload types. The Oracle® Enterprise Session Border Controller's behavior is extended to provide this support as of Release S-C6.2.0. The Oracle® Enterprise Session Border Controller identifies extendedVideoCapability used to establish an additional channel for H.239-compliant endpoints, an OLC that was formerly not supported.

## Support for Generic Capabilities

This feature identifies the OIDs, shown in the table below, and uses the dynamicPayload type from the incoming OLC to generate its own OLC. You no longer need media profiles for genericAudio, genericVideo, and genericData.

Capability Name	Capability Class	Capability Identifier
H.283	Data protocol	{itu-t (0) recommendation (0) h (8) 283 generic-capabilities (1) 0}
G.722.1	Audio protocol	{itu-t (0) recommendation (0) g (7) 7221 generic-capabilities (1) 0}
G.722.1 Extension	Audio protocol	{itu-t (0) recommendation (0) g (7) 7221 generic-capabilities (1) extension (1) 0}
H.324	Data protocol	{itu-t (0) recommendation (0) h (8) 324 generic-capabilities (1) http (0)}
H.263	Video protocol	{itu-t (0) recommendation (0) h (8) 263 generic-capabilities (1) 0} Note: Use of this capability to signal H.263 "Profiles and Levels" per Annex X/H.263 should always be accompanied in parallel by the signalling of the same modes in H263VideoCapability. This is necessary to ensure that systems which do not recognize the H.263 generic capabilities continue to interwork with newer systems.
H.224	Data protocol	{itu-t (0) recommendation (0) h (8) 224 generic-capabilities (1) 0}
G.722.2	Audio protocol	{itu-t (0) recommendation (0) g (7) 7222 generic-capabilities (1) 0}

Capability Name	Capability Class	Capability Identifier
G.726	Audio protocol	{itu-t (0) recommendation (0) g (7) 726 generic-capabilities (1) version2003 (0)}
H.241/H.264	Video protocol	{itu-t (0) recommendation (0) h (8) 241 specificVideoCodecCapabilities (0) h264 (0) generic-capabilities (1)}
H.241/H.264	Video protocol	{itu-t(0) recommendation(0) h(8) 241 specificVideoCodecCapabilities(0) h264(0) iPpacketization(0) RFC3984NonInterleaved(1)}
H.241/H.264	Video protocol	{itu-t(0) recommendation(0) h(8) 241 specificVideoCodecCapabilities(0) h264(0) iPpacketization(0) RFC3984Interleaved(2)}

## Support for H.239 Generic Messages

This section describes the Oracle® Enterprise Session Border Controller's support for H.239 Generic Messages.

Generic Message	Description
Generic Request	<ul style="list-style-type: none"> <li>flowControlReleaseRequest—Used when a device wants to add a channel toward an MCU that has sent multipointConference, or if the device wants to increase a channel bit rate when the channel is flow-controlled. The message has the channelId, which is the logicalChannelNumber of the channel. The Oracle® Enterprise Session Border Controller proxies this message, replacing the channelId with the logicalChannelNumber of its channel.</li> <li>presentationTokenRequest—Request by the sender to acquire the indicated token. The message has the channelId, which is the logicalChannelNumber of the channel. The Oracle® Enterprise Session Border Controller proxies this message, replacing the channelId with the logicalChannelNumber of its channel.</li> </ul>

Generic Message	Description
Generic Response	<ul style="list-style-type: none"> <li>flowControlReleaseResponse—Sent in response to the flowControlReleaseRequest, either acknowledging or rejecting the request. The “acknowledge” response indicates the far-end device intends to make a best-effort attempt to comply with the request. The exact bit rate requested may not be allocated. The reject response indicates that the far-end device does not intend to comply with the request. The response contains the channelId that was sent in the request. While proxying the response, the Oracle® Enterprise Session Border Controller will replace the channelId with the channelId it received in the request.</li> <li>presentationTokenResponse—Sent in response to the presentationTokenRequest. The response will either confirm or reject the assignment of the indicated token to the sender of the presentationTokenRequest. The response contains the channelId that was received in the request. While proxying the response, the Oracle® Enterprise Session Border Controller will replace the channelId with the channelId it received in the request.</li> </ul>
Generic Command	<ul style="list-style-type: none"> <li>presentationTokenRelease—Sent by the device holding the token in order to relinquish the token. The message has the channelId, which is the logicalChannelNumber of the channel. The Oracle® Enterprise Session Border Controller proxies this message, replacing the channelId with the logicalChannelNumber of its channel.</li> </ul>
Generic Indication	<ul style="list-style-type: none"> <li>presentationTokenIndicateOwner—Indicates who owns the token. The message has the channelId, which is the logicalChannelNumber of the channel. The Oracle® Enterprise Session Border Controller proxies this message, replacing the channelId with the logicalChannelNumber of its channel.</li> </ul>

## Support for Miscellaneous Indication

An endpoint sends a miscellaneous indication to send (logicalChannelActive) or stop (logicalChannelInactive) live video streams. The message has a channelId, which is the channel’s logicalChannelNumber. The Oracle® Enterprise Session Border Controller proxies this message, replacing the channelId with the logicalChannelNumber of its own channel.

## SIP-H.323 interworking with Dynamic Payload Types

The SIP and H.323 Protocols use Internet multimedia signaling over IP, and both use the Real-Time Transport Protocol (RTP) for transferring realtime audio/video data. The interworking function (IWF) provides a means of converting translation and signaling protocols and session descriptions between SIP and H.323. However, SIP and H.323 provide different mechanisms when exchanging payload types for media during IWF calls. Therefore, the International Telecommunications Union (ITU) modified the ITU H.245 recommendations in H.245 v16 to include a new “Dynamic Payload Type Replacement” capability that resolves this payload type conflict. This new capability provides a way for an H.323 endpoint to specify the payload type of a media stream for which the endpoint is willing to receive through the OLCacknowledgment (OLC-ACK) message in an audio/video call flow.

The Oracle® Enterprise Session Border Controller supports this new “Dynamic Payload Type Replacement” capability by ensuring interworking of SIP and H.323 when audio/video call flows use dynamic payload types. The Oracle® Enterprise Session Border Controller checks for the presence of this capability in the incoming TCS request. If it finds this capability in the TCS request, it sends an Open Logic Channel Acknowledgement (OLC-ACK) response with the payload type it is willing to receive.

 **Note:**

The Oracle® Enterprise Session Border Controller always returns an OLC-ACK with a dynamic payload type value that it received in the incoming Session Description Protocol (SDP) from the SIP endpoint.

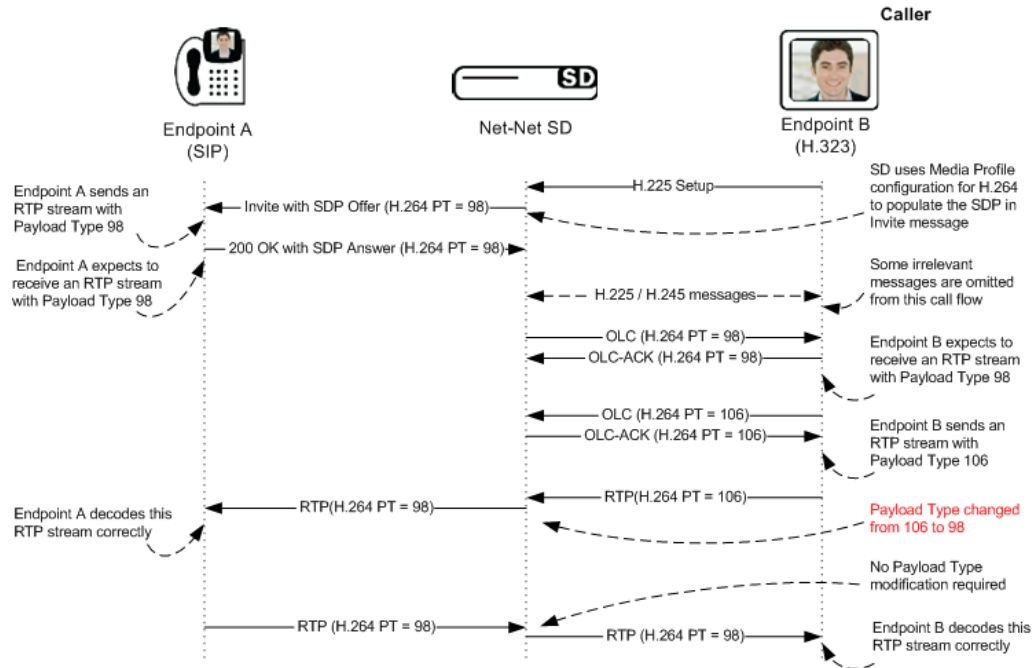
For devices that don't support the H.245 v16 recommendations, the Terminal Capability Set (TCS) request from the H.323 endpoint does not have the "Dynamic Payload Type Replacement" capability present. Therefore, the Oracle® Enterprise Session Border Controller rewrites the payload type within the RTP packets when these packets traverse the Oracle® Enterprise Session Border Controller. When devices in a session negotiate different payload types between SIP and H.323 packets, the RTP streams that they receive, always have the expected payload type in the RTP header.

 **Note:**

The Oracle® Enterprise Session Border Controller always maps the payload type on the RTP stream received from the H.323 endpoint, and sends it to the SIP endpoint for both audio and video. The Oracle® Enterprise Session Border Controller does not support mapping of payload types in audio streams with 2833 DTMF packets.

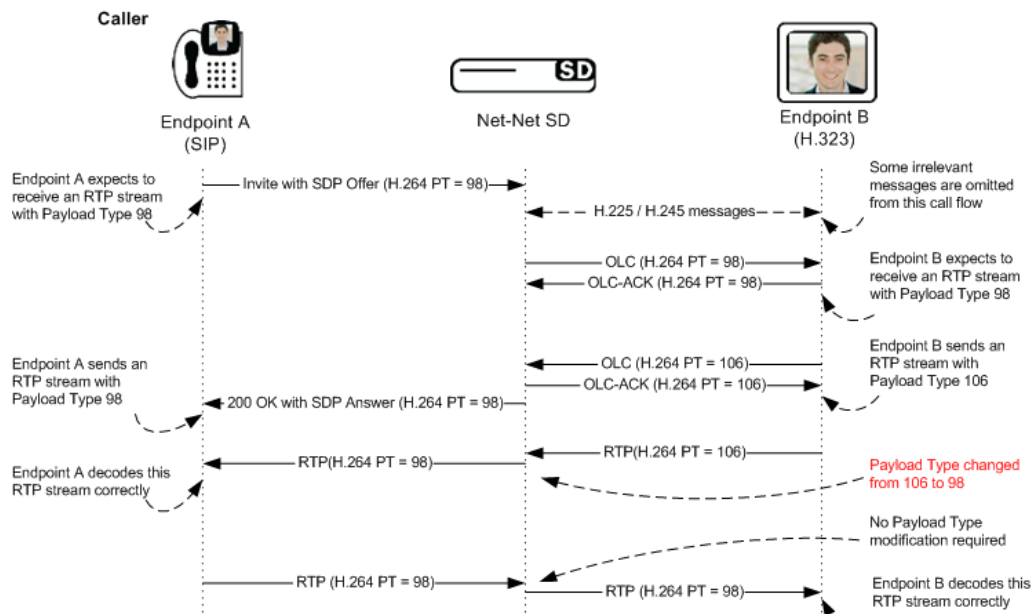
Figure 1a and 1b below shows the call flow from an H.323 Endpoint B to a SIP Endpoint A, and from a SIP Endpoint A to an H.323 Endpoint B, respectively. These illustrations show the negotiation of different dynamic payload types for the video streams but the Codec negotiated is the same. The Oracle® Enterprise Session Border Controller dynamically replaces the payload type in the RTP header of the video stream received from the H.323 endpoint.

Figure 1a Endpoint B calling Endpoint A (H.323 endpoint does not have “Dynamic Payload Type Replacement” Capability)



The H.323 Endpoint B is not H.245 v16 compliant, and hence payload type replacement needs to be done in the RTP packets.

Figure 1b Endpoint A calling Endpoint B (H.323 endpoint does not have Dynamic Payload Type Replacement Capability)

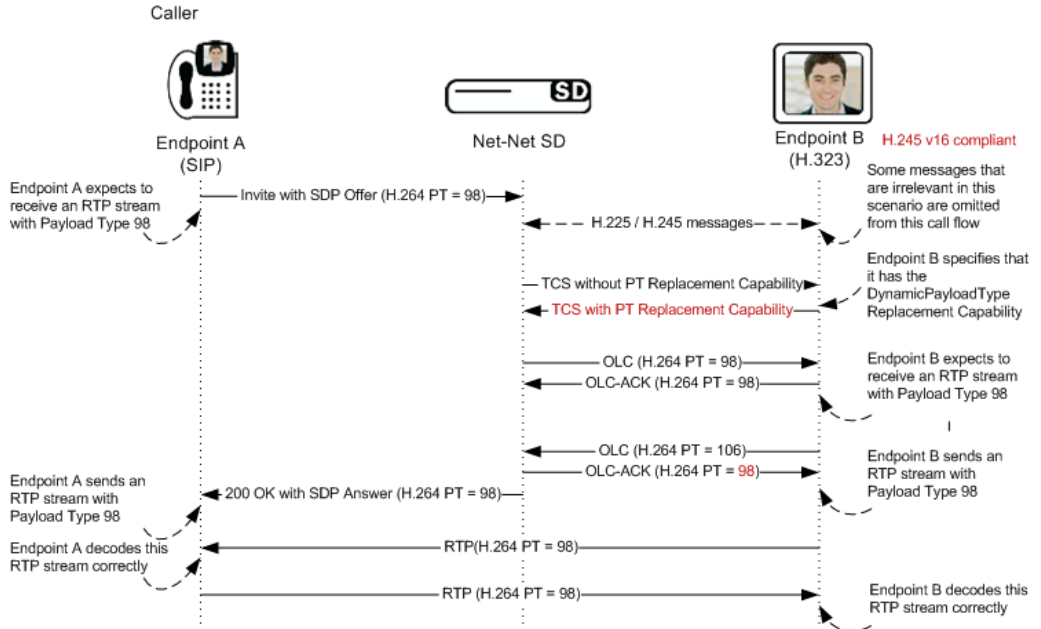


The H.323 Endpoint B is not H.245 v16 compliant, and therefore payload type replacement needs to be done in the RTP packets.

There is no concept of H.245 compliance for the SIP Endpoint A.

Figure 2a shows the call flow of SIP Endpoint A calling an H.323 Endpoint B using slow start. The Oracle Communications Session Delivery Manager modifies the dynamic payload type in the OLC-ACK based on payload type received in the incoming SDP OFFER in the "INVITE" message.

Figure 2a Endpoint A calling Endpoint B (H.323 endpoint has TCS with Dynamic Payload Type Replacement Capability)

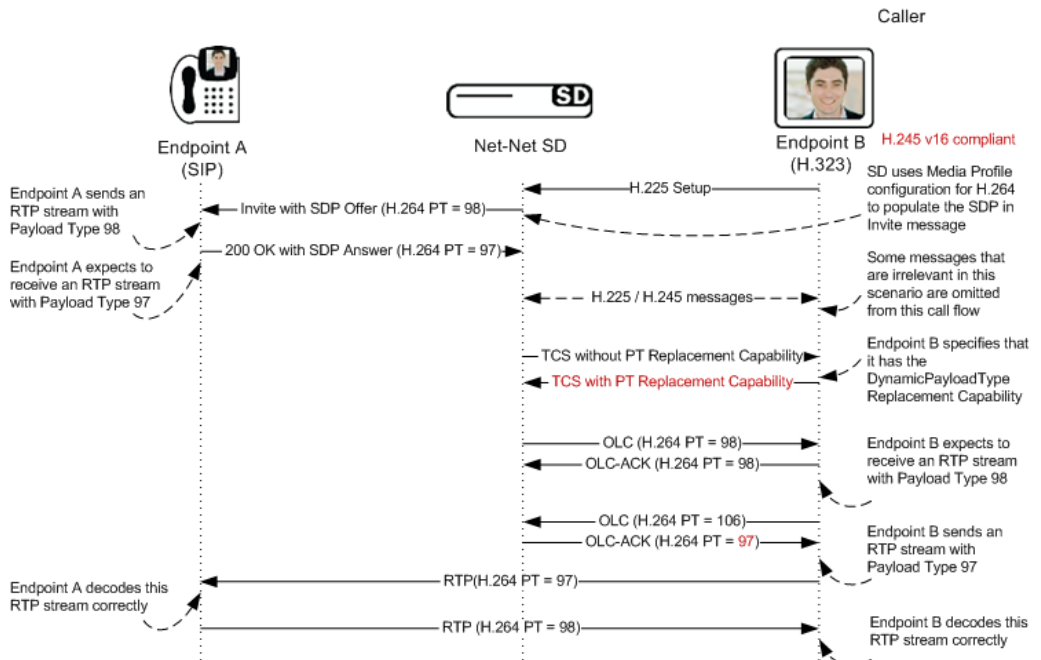


The H.323 Endpoint B is H.245 v16 compliant.

There is no concept of H.245 compliance for the SIP Endpoint A.

Figure 2b shows the call flow an H.323 Endpoint B using slow start, calling a SIP Endpoint A. The Oracle Communications Session Delivery Manager modifies the dynamic payload type in the OLC-ACK based on payload type received in the incoming SDP ANSWER in the "200 OK" message.

Figure 2b Endpoint B calling Endpoint A (H.323 endpoint here has TCS without "Dynamic Payload Type Replacement" Capability)





## Video Conferencing Support for Polycom Terminals

The Oracle® Enterprise Session Border Controller includes support for Polycom video conferencing that implements messaging properly and presents proper addressing information for session billing, as described below.

The Oracle® Enterprise Session Border Controller supports operations in a video conferencing environment with Polycom H323 terminals and a Polycom MCU (Multipoint Conferencing Unit) by relaying H.239/H.245. The Oracle® Enterprise Session Border Controller implements the following messages appropriately:

- Miscellaneous command message with subtype such as `multiPointModeCommand`, `cancelMultipointModeCommand`
- Conference Indication message with subtype such as `terminalNumberAssign`, `terminalYouAreSeeing`

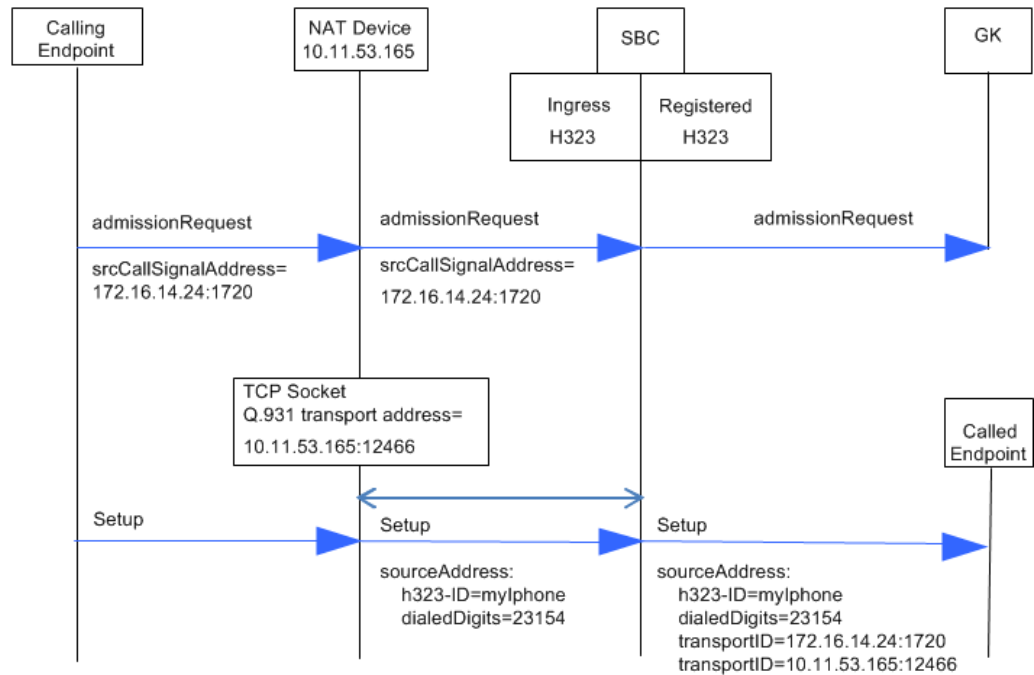
The Oracle® Enterprise Session Border Controller can also resolve a video conference billing issue caused by a NAT device. NAT devices change the `sourceCallSignalAddress` in a Setup message to the IP address of the NAT device. Deployments that rely on this address in CDRs to bill for the service need this address to be that of the original station behind the NAT. The user sets the **addSrcCallSignalAddr** option in the **h323-stack** that receives the incoming Setup to cause the Oracle® Enterprise Session Border Controller to present the desired address.

The `srcCallSignalAddress` field in the `admissionRequest` message received by the Oracle® Enterprise Session Border Controller often contains the `transportAddress` of the calling endpoint. This field is optional for the `admissionRequest` message. If configured with the option and presented with this field, the Oracle® Enterprise Session Border Controller saves the address for later use in outgoing Setup messages. If the `srcCallSignalAddress` field in the `admissionRequest` message is not present, or is equal to 0.0.0.0, the Oracle® Enterprise Session Border Controller does not save it.

Having stored this address, the Oracle® Enterprise Session Border Controller uses it following the steps below. Note that the Setup message in this scenario is preceded by the admission request and confirmation messages from the gatekeeper for the call.

1. Add the `srcCallSignalAddress`, saved from the `admissionRequest` message, into the `sourceAddress` field of the outgoing Setup message. The Oracle® Enterprise Session Border Controller adds this address in the format of an `AliasAddress` of type `transportID` after any other `AliasAddresses` that are normally included from the incoming Setup `sourceAddress` field.
2. Add the remote transport address of the incoming Q.931 TCP connection, into the `sourceAddress` field of the outgoing Setup message. The Oracle® Enterprise Session Border Controller adds this address in the format of an `AliasAddress` of type `transportID`, after the alias that was added in step 1.

The call flow diagram below depicts the Oracle® Enterprise Session Border Controller adding addresses in accordance with this feature.



Use the syntax below to set this option on the h323-stack receiving the incoming Setup.

```
(h323-stack)# options +addSrcCallSignalAddr
```

The user can find this process confirmed in the log.h232d log file.

## ACLI Signaling Mode Configuration Examples

The following ACLI displays provide examples of the Signaling Modes of Operation described earlier in this chapter.

### Configuration Fields and Values for B2BGW Signaling

This example provides is a sample for the Back-to-Back Gateway Signaling mode of operation.

```
h323-config
  state                enabled
  log-level            INFO
  response-tmo         4
  connect-tmo          32
h323-stack
  name                 zone1
  state                enabled
  isgateway            enabled
  realm-id             zone1realm
  assoc-stack          zone2
  local-ip             x.x.x.x (IP address of VGW-A)
  max-calls            200
```

```

max-channels 10
registration-ttl 0
terminal-alias

h323-ID=private
ras-port 1719
auto-gk-discovery enabled
multicast 224.0.1.41:1718
gatekeeper x.x.x.x (IP address of GkZone1)
gk-identifier gk-zone1.acme.com
q931-port 1720
alternate-transport
q931-max-calls 200
h245-tunneling enabled
fs-in-first-msg disabled
call-start-fast disabled
call-start-slow disabled
media-profiles
process-registration disabled
anonymous-connection disabled
proxy-mode
filename

h323-stack
name zone2
state enabled
isgateway enabled
realm-id DomainCrealm
assoc-stack zone1
local-ip x.x.x.x(IP address of VGW-C)
max-calls 200
max-channels 10
registration-ttl 0
terminal-alias

h323-ID=acme01
ras-port 1719
auto-gk-discovery enabled
multicast 224.0.1.41:1718
gatekeeper x.x.x.x(IP address of GkZONE2)
gk-identifier gk-zone2.acme.com
q931-port 1720
alternate-transport
q931-max-calls 200
h245-tunneling enabled
fs-in-first-msg disabled
call-start-fast disabled
call-start-slow disabled
media-profiles
process-registration disabled
anonymous-connection disabled
proxy-mode
filename

h323-stack
name zone3
state enabled
isgateway enabled
realm-id zone3realm
  
```

```

assoc-stack zone4
local-ip x.x.x.x(IP address of VGW-B)
max-calls 200
max-channels 10
registration-ttl 0
terminal-alias

ras-port h323-ID=private
auto-gk-discovery 1719
multicast enabled
gatekeeper 224.0.1.41:1718
gk-identifier x.x.x.x(IP address of GkZone3)
q931-port gk-zone3.acme.com
alternate-transport 1720
q931-max-calls 200
h245-tunneling enabled
fs-in-first-msg disabled
call-start-fast disabled
call-start-slow disabled
media-profiles
process-registration disabled
anonymous-connection disabled
proxy-mode
filename

h323-stack
name zone4
state enabled
isgateway enabled
realm-id DomainCrealm
assoc-stack zone3
local-ip x.x.x.x(IP address of VGW-D)
max-calls 200
max-channels 10
registration-ttl 0
terminal-alias

ras-port h323-ID=private
auto-gk-discovery 1719
multicast enabled
gatekeeper 224.0.1.41:1718
gk-identifier x.x.x.x(IP address of GkZone4)
q931-port gk-zone4.acme.com
alternate-transport 1720
q931-max-calls 200
h245-tunneling enabled
fs-in-first-msg disabled
call-start-fast disabled
call-start-slow disabled
media-profiles
process-registration disabled
anonymous-connection disabled
proxy-mode
filename

```

## Back-to-Back Gatekeeper Proxy and Gateway

This example provides is a sample for the Back-to-Back Gateway Proxy and Gateway mode of operation.

```
h323-config
    state                enabled
    log-level            INFO
    response-tmo        4
    connect-tmo         32
h323-stack
    name                 zone1
    state                enabled
    isgateway            disabled
    realm-id             zone1realm
    assoc-stack          zone2
    local-ip             x.x.x.x(IP address of VGW-A/GK-A)
    max-calls            200
    max-channels         10
    registration-ttl     0
    terminal-alias
    h323-ID=private
    ras-port             1719
    auto-gk-discovery    disabled
    multicast            0.0.0.0:0
    gatekeeper           x.x.x.x(IP address of GkZone1)
    gk-identifier        gk-zone1.acme.com
    q931-port            1720
    alternate-transport
    q931-max-calls       200
    h245-tunneling       enabled
    fs-in-first-msg     disabled
    call-start-fast     disabled
    call-start-slow     disabled
    media-profiles
    process-registration disabled
    anonymous-connection disabled
    proxy-mode
    filename
h323-stack
    name                 zone2
    state                enabled
    isgateway            disabled
    realm-id             DomainCrealm
    assoc-stack          zone1
    local-ip             x.x.x.x(IP address of VGW-C/GK-C)
    max-calls            200
    max-channels         10
    registration-ttl     0
    terminal-alias
    h323-ID=acme01
    ras-port             1719
    auto-gk-discovery    disabled
```

```

multicast                0.0.0.0:0
gatekeeper                x.x.x.x(IP address of GkZONE2)
gk-identifier             gk-zone2.acme.com
q931-port                 1720
alternate-transport
q931-max-calls            200
h245-tunneling            enabled
fs-in-first-msg          disabled
call-start-fast          disabled
call-start-slow          disabled
media-profiles
process-registration      disabled
anonymous-connection     disabled
proxy-mode
filename

h323-stack
name                      zone3
state                     enabled
isgateway                 disabled
realm-id                  zone3realm
assoc-stack               zone4
local-ip                  x.x.x.x(IP address of VGW-B/GK-B)
max-calls                 200
max-channels              10
registration-ttl          0
terminal-alias

ras-port                  h323-ID=private
                          1719
auto-gk-discovery         disabled
multicast                 0.0.0.0:0
gatekeeper                x.x.x.x(IP address of GkZone3)
gk-identifier             gk-zone3.acme.com
q931-port                 1720
alternate-transport
q931-max-calls            200
h245-tunneling            enabled
fs-in-first-msg          disabled
call-start-fast          disabled
call-start-slow          disabled
media-profiles
process-registration      disabled
anonymous-connection     disabled
proxy-mode
filename

h323-stack
name                      zone4
state                     enabled
isgateway                 disabled
realm-id                  DomainCrealm
assoc-stack               zone3
local-ip                  x.x.x.x(IP address of VGW-D/GK-D)
max-calls                 200
max-channels              10
registration-ttl          0
terminal-alias

```

```

h323-ID=private
ras-port 1719
auto-gk-discovery disabled
multicast 0.0.0.0:0
gatekeeper x.x.x.x(IP address of GkZone4)
gk-identifier gk-zone4.acme.com
alternate-transport
q931-port 1720
q931-max-calls 200
h245-tunneling enabled
fs-in-first-msg disabled
call-start-fast disabled
call-start-slow disabled
media-profiles
process-registration disabled
anonymous-connection disabled
proxy-mode
filename

```

## Interworking Gatekeeper-Gateway

This example provides is a sample for the Interworking Gatekeeper-Gateway mode of operation.

```

h323-config
state enabled
log-level INFO
response-tmo 4
connect-tmo 32
h323-stack
name zone1
state enabled
isgateway disabled
realm-id zone1realm
assoc-stack zone2
local-ip x.x.x.x(IP address of VGW-A/GK-A)
max-calls 200
max-channels 10
registration-ttl 0
terminal-alias
h323-ID=private
ras-port 1719
auto-gk-discovery disabled
multicast 0.0.0.0:0
gatekeeper x.x.x.x(IP address of GkZone1)
gk-identifier gk-zone1.acme.com
q931-port 1720
alternate-transport
q931-max-calls 200
h245-tunneling enabled
fs-in-first-msg disabled
call-start-fast disabled
call-start-slow disabled
media-profiles

```

```
        process-registration      disabled
        anonymous-connection      disabled
        proxy-mode
        filename
h323-stack
        name                      zone2
        state                    enabled
        isgateway                enabled
        realm-id                 DomainCrealm
        assoc-stack              zone1
        local-ip                 x.x.x.x(IP address of VGW-C)
        max-calls                200
        max-channels             10
        registration-ttl         0
        terminal-alias
                                h323-ID=acme01
        ras-port                 1719
        auto-gk-discovery        enabled
        multicast                 0.0.0.0:0
        gatekeeper               0.0.0.0:0
        gk-identifier            gk-zone2.acme.com
        q931-port                1720
        alternate-transport
        q931-max-calls           200
        h245-tunneling           enabled
        fs-in-first-msg          disabled
        call-start-fast          disabled
        call-start-slow          disabled
        media-profiles
        process-registration      disabled
        anonymous-connection      disabled
        proxy-mode
        filename
h323-stack
        name                      zone3
        state                    enabled
        isgateway                disabled
        realm-id                 zone3realm
        assoc-stack              zone4
        local-ip                 x.x.x.x(IP address of VGW-B/GK-B)
        max-calls                200
        max-channels             10
        registration-ttl         0
        terminal-alias
                                h323-ID=private
        ras-port                 1719
        auto-gk-discovery        disabled
        multicast                 0.0.0.0:0
        gatekeeper               x.x.x.x(IP address of GkZone3)
        gk-identifier            gk-zone3.acme.com
        q931-port                1720
        alternate-transport
        q931-max-calls           200
        h245-tunneling           enabled
        fs-in-first-msg          disabled
```



call-start-fast	disabled
call-start-slow	disabled
media-profiles	
process-registration	disabled
anonymous-connection	disabled
proxy-mode	
filename	
h323-stack	
name	zone4
state	enabled
isgateway	enabled
realm-id	DomainCrealm
assoc-stack	zone3
local-ip	x.x.x.x(IP address of VGW-D)
max-calls	200
max-channels	10
registration-ttl	0
terminal-alias	
	h323-ID=private
ras-port	1719
auto-gk-discovery	disabled
multicast	0.0.0.0:0
gatekeeper	x.x.x.x(IP address of GkZone4)
gk-identifier	gk-zone4.acme.com

## Additional Information

This section contains detailed tables to use as a reference when you are learning about H.323 features or when you are configuring them.

### About Payload Types

You set the payload type when you are configuring a media profile to support Slow Start to Fast Start Translation.

When you configure media profiles, you might need set the payload type to identify the format in the SDP m lines. For RTP/AVP, the default transport method of a media profile configuration, this will be the RTP payload type number. Newer codecs have dynamic payload types, which means that they do not have an assigned payload type number.

When you use RTP/AVP as the transport method, you should only set the payload type when there is a standard payload type number for the encoding name; otherwise, leave the payload type blank.

The Oracle® Enterprise Session Border Controller uses the payload type value to determine the encoding type when SDP identifies the standard payload type in the m line, but does not include an a=rtpmap entry. These are two equivalent SDPs:

```
c=IN IP4 192.0.2.4
```

```
m=audio 0 RTP/AVP 0
```

```
c=IN IP4 192.0.2.4
```

```
m=audio 0 RTP/AVP 0
a=rtpmap:0 PCMU/8000
```

The first does not include the RTP map entry, but uses the standard payload type of 0. If the Oracle® Enterprise Session Border Controller receives an SDP like the first, it uses the payload type 0 to locate the corresponding media profiles configuration. When an `a=rtpmap` is present, the Oracle® Enterprise Session Border Controller uses the encoding name in the `a=rtpmap` line to find the media profile configuration and does not consider the payload type number.

## Payload Types for Standard Audio and Visual Encodings

The following is a table of standard audio and visual payload encodings defined in H. Schulzrinne, GND Fokus, RTP Profile for Audio and Visual Conferences with Minimal Control, RFC 1890, and in the *RTP Parameters* document in IANA's Directory of Generally Assigned Numbers.

Payload Type	Encoding Name	Audio (A)/Visual (V)	Clock Rate (Hz)
0	PCMU	A	8000
1	1016	A	8000
2	G721	A	8000
3	GSM	A	8000
4	G723	A	8000
5	DVI4	A	8000
6	DVI4	A	16000
7	LPC	A	8000
8	PCMA	A	8000
9	G722	A	8000
10	L16	A	44100
11	L16	A	44100
12	QCELP	A	8000
13	reserved	A	N/A
14	MPA	A	90000
15	G728	A	8000
16	DVI4	A	11025
17	DVI4	A	22050
18	G729	A	8000
19	reserved	A	N/A
20	unassigned	A	N/A
21	unassigned	A	N/A
22	unassigned	A	N/A
23	unassigned	A	N/A
dyn	GSM-HR	A	8000
dyn	GSM-EFR	A	8000
dyn	L8	A	var.
dyn	RED	A	N/A
dyn	VDVI	A	var.

Payload Type	Encoding Name	Audio (A)/Visual (V)	Clock Rate (Hz)
24	unassigned	V	N/A
25	CelB	V	90000
26	JPEG	V	90000
27	unassigned	V	N/A
28	nv	V	90000
29	unassigned	V	N/A
30	unassigned	V	N/A
31	H261	V	90000
32	MPV	V	90000
33	MP2T	AV	90000
34	H263	V	90000
35-71	unassigned	?	N/A
72-76	reserved for RTCP conflict avoidance	N/A	N/A
77-95	unassigned	?	N/A
96-127	dynamic	?	N/A
dyn	BT656	V	90000
dyn	H263-1998	V	90000
dyn	MP1S	V	90000
dyn	MP2P	V	90000
dyn	BMPEG	V	90000

## About RAS Message Treatment

When you enabled the H.323 Registration Proxy, the Oracle® Enterprise Session Border Controller modifies and deletes certain fields as outlined in the table below. The Oracle® Enterprise Session Border Controller forwards any fields that are not listed in this table without modifying or deleting them.



### Note:

Although the Oracle® Enterprise Session Border Controller forwards a field, it does not always support the feature related to that field.

Field Name	Message	Deleted	Modified	Value Used in Modification
alternateEndpoints	RRQ, URQ, ACF	X	N/A	N/A
alternateGatekeeper	RCF, URQ	X	N/A	N/A
altGKInfo	RRJ, URJ, DRJ	X	N/A	N/A
alternateTransportAddresses	RRQ, ARQ, ACF	X	N/A	N/A
callModel	ARQ	N/A	X	direct
N/A	ACF	N/A	X	gatekeeperRouted

Field Name	Message	Deleted	Modified	Value Used in Modification
callSignalAddress	RRQ	N/A	X	Mapped virtual CSA allocated by the system for registering the endpoint.
N/A	RCF, ARJ	N/A	X	CSA of gatekeeper stack
N/A	URQ	N/A	X	If URQ is from an endpoint, endpoint's mapped virtual CSA. If URQ is from a gatekeeper, real CSA of endpoint.
destCallSignalAddress	ARQ, ACF	X	N/A	N/A
destinationInfo.transportID	ARQ, ACF	X	N/A	N/A
destExtraCallInfo.trasnportID	ARQ, ACF	X	N/A	N/A
discoveryComplete	RRQ	N/A	X	TRUE
endpointAlias.transportID	URQ	X	N/A	N/A
endpointAliasPattern.Wwildcard.transportID	URQ	N/A	N/A	N/A
featureServerAlias.trasnportID	RCF	X	N/A	N/A
gatekeeperIdentifier	RRQ	N/A	X	Gatekeeper identifier of the gateway stack, either configured in the H.323 gateway stack or discovered dynamically.
maintainConnection	RRQ, RCF	N/A	X	FALSE
mutlipleCall	RRQ, RCF		X	FALSE
preGrantedARQ.alternateTransportAddresses	RCF	X	N/A	N/A
preGrantedARQ.useSpecifiedTransport	RCF	X	N/A	N/A
rasAddress	RRQ	N/A	X	Mapped virtual RAS address allocated by the system for registering endpoint
remoteExtensioAddress.transportID	ARQ, ACF	X	N/A	N/A
srcCallSignalAddress	ARQ	X	N/A	N/A
srcInfo.transportID	ARQ	X	N/A	N/A
supportedH248Packages	RRQ	X	N/A	N/A
supportsAltGK	RRQ	X	N/A	N/A
supportedPrefixes.prefic.transportID	RCF, URQ	X	N/A	N/A
terminalAlias.transportID	RRQ	X	N/A	N/A
terminalAliasPattern.wilcard.transportID	RRQ	X	N/A	N/A
willRespondToIIR	RCF, ACF	X	N/A	N/A
willSupplyUIEs	RRQ, ARQ		N/A	N/A

---

Field Name	Message	Deleted	Modified	Value Used in Modification
uuiesRequested	ACF	N/A	X	FALSE
setup			X	FALSE
callProceeding			X	FALSE
connect			X	FALSE
alerting			X	FALSE
information			X	FALSE
releaseComplete			X	FALSE
facility			X	FALSE
progress			X	FALSE
empty			X	FALSE
....			X	FALSE
status			X	FALSE
statusInquiry			X	FALSE
setupAcknowledge				
notify				

---

# 6

## Application Gateway Services

### DNS ALG

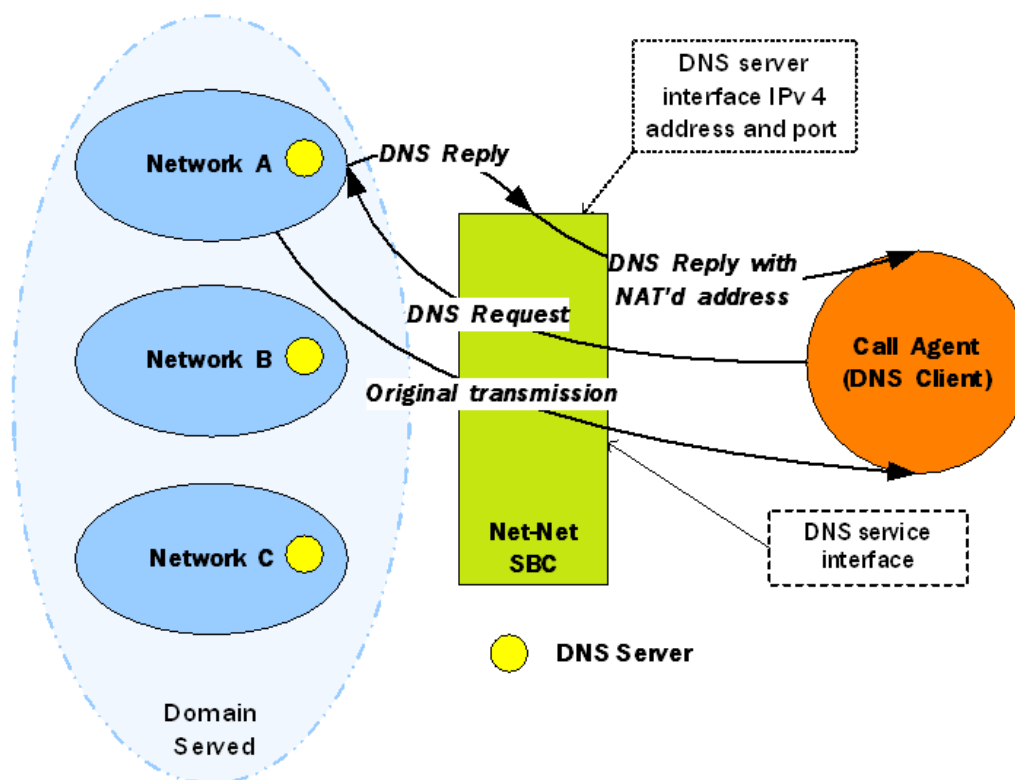
The Oracle® Enterprise Session Border Controller's DNS Application Layer Gateway (ALG) feature provides an application layer gateway for DNS transactions on the Oracle® Enterprise Session Border Controller. With DNS ALG service configured, the Oracle® Enterprise Session Border Controller can support the appearance of multiple DNS servers on one side and a single DNS client on the other.

### Overview

DNS ALG service provides an application layer gateway for use with DNS clients. DNS ALG service allows a client to access multiple DNS servers in different networks and provides routing to/from those servers. It also supports flexible address translation of the DNS query/response packets. These functions allow the DNS client to query many different domains from a single DNS server instance on the client side of the network.

The Oracle® Enterprise Session Border Controller's DNS ALG service is commonly used when a DNS client (such as a call agent) needs to authenticate users. In this case, the DNS client that received a message from a certain network would need to authenticate the endpoint in a remote network. Since the DNS client and the sender of the message are on different networks, the Oracle® Enterprise Session Border Controller acts as an intermediary by interoperating with both.

In the following diagram, the DNS client has received a message from an endpoint in Network A. Since the DNS client is in a different realm, however, the DNS client receives the message after the Oracle® Enterprise Session Border Controller has performed address translation. Then the DNS client initiates a DNS query on the translated address. The Oracle® Enterprise Session Border Controller forwards the DNS request to the DNS server in Network A, using the domain suffix to find the appropriate server. Network A's DNS server returns a response containing its IPv4 address, and then the Oracle® Enterprise Session Border Controller takes that reply and performs a NAT on the private address. The private address is turned into a public one that the DNS client can use to authenticate the endpoint.



## Configuring DNS ALG Service

This section tells you how to access and set the values you need depending on the configuration mechanism you choose. It also provides sample configurations for your reference.

Configuring DNS ALG service requires that you carry out two main procedures:

- Setting the name, realm, and DNS service IP interfaces
- Setting the appropriate parameters for DNS servers to use in other realms

## Before You Configure

Before you begin to configure DNS ALG service on the Oracle® Enterprise Session Border Controller, complete the following steps.

1. Configure the client realm that you are going to use in the main DNS ALG profile and note its name to use in this chapter's configuration process.
2. Configure the server realm that contains the DNS servers and note its name to use in this chapter's configuration process.
3. Determine the domain suffixes for the network where the DNS servers are located so that you can enter them in the domain suffix parameter.
4. Devise the NAT scheme that you want to use when the DNS reply transits the Oracle® Enterprise Session Border Controller.

## DNS ALG Service Name Configuration

This section explains how to configure the name of the DNS ALG service you are configuring and set its realm.

To add DNS ALG service:

1. In Superuser mode, type **configure terminal** and press Enter.

```
ORACLE# configure terminal
```

2. Type **media-manager** and press Enter.

```
ORACLE(configure)# media-manager
```

3. Type **dns-config** and press Enter. The system prompt changes to let you know that you can begin configuring individual parameters.

```
ORACLE(media-manager)# dns-config
ORACLE(dns-config)#
```

From this point, you can configure DNS ALG parameters and access this configuration's DNS server subelement. To view all DNS ALG service parameters and the DNS server subelement, enter a **?** at the system prompt.

```
dns-config
  client-realm
  description                dns-alg1
  client-address-list
  last-modified-date        2005-02-15 10:50:07
  server-dns-attributes
    server-realm
    domain-suffix
    server-address-list
    source-address
    source-port              53
    transaction-timeout     10
    address-translation
      server-prefix
10.3.0.0/16
      client-prefix
192.168.0.0/16
```

## Identity Realm and Interface Addresses

To configure the identity, realm, and IPv4 interface addresses for your DNS ALG profile:

1. **description**—Set a name for the DNS ALG profile using any combination of characters entered without spaces. You can also enter any combination with spaces if you enclose the whole value in quotation marks. For example: DNS ALG service.



2. **client-realm**—Enter the name of the realm from which DNS queries are received. If you do not set this parameter, the DNS ALG service will not work.
3. **client-address-list**—Configure a list of one or more addresses for the DNS server interface. These are the addresses on the Oracle® Enterprise Session Border Controller to which DNS clients send queries.

To enter one address in this list, type `client-address-list` at the system prompt, a Space, the IPv4 address, and then press Enter

```
ORACLE(dns-config)# client-address-list 192.168.0.2
```

To enter more than one address in this list, type **client-address-list** at the system prompt, and a Space. Then type an open parenthesis ( ( ), each IPv4 address you want to use separated by a Space, and closed parenthesis ( ) ), and then press Enter.

```
ORACLE(dns-config)# client-address-list (192.168.0.2 196.168.1.1 192.168.1.2)
```

## DNS Server Attributes

To configure attributes for the DNS servers that you want to use in the DNS ALG profile:

1. In Superuser mode, type **configure terminal** and press Enter.

```
ORACLE# configure terminal
```

2. Type **media-manager** and press Enter.

```
ORACLE(configure)# media-manager
```

3. Type **dns-config** and press Enter. The system prompt changes to let you know that you can begin configuring individual parameters.

```
ORACLE(media-manager)# dns-config
```

4. Type **server-dns-attributes** and then press Enter.

```
ORACLE(dns-config)# server-dns-attributes
```

From this point, you can configure DNS server parameters. To see all parameters for the DNS server, enter a `?` at the system prompt.

5. **server-realm**—Enter the name of the realm in which the DNS server is located. This value is the name of a configured realm.
6. **domain-suffix**—Enter a list of one or more domain suffixes to indicate the domains you want to serve. These values are matched when a request is sent to a specific DNS server. If you leave this list empty (default), then your configuration will not work.

 **Note:**

If you want to use a wildcard value, you can start your entry to an asterisk ( `*` ) (e.g. `*.com`). You can also start this value with a dot (e.g., `.com`).

To enter one address in this list, type `client-address-list` at the system prompt, a Space, the domain suffix, and then press Enter

```
ORACLE(server-dns-attributes)# domain-suffix acmepacket.com
```

To enter more than one address in this list, type `domain-suffix` at the system prompt, and a Space. Then type an open parenthesis ( `(` ), each IPv4 address you want to use separated by a Space, and closed parenthesis ( `)` ), and then press Enter.

```
ORACLE(server-dns-attributes)# domain-suffix (acmepacket.com
acmepacket1.com acmepacket2.com)
```

7. **server-address-list**—Enter a list of one or more DNS IPv4 addresses for DNS servers. These DNS servers can be used for the domains you specified in the domain suffix parameter. Each domain can have several DNS servers associated with it, and so you can populate this list with multiple IPv4 addresses. If you leave this list empty (default), your configuration will not work.
8. **source-address**—Enter the IPv4 address for the DNS client interface on the Oracle® Enterprise Session Border Controller. If you leave this parameter empty (default), your configuration will not work.
9. **source-port**—Enter the number of the port for the DNS client interface on the Oracle® Enterprise Session Border Controller. The default value is **53**. The valid range is:
  - Minimum—1025
  - Maximum—65535
10. **transaction-timeout**—Enter the time in seconds that the ALG should keep information to map a DNS server response back to the appropriate client request. After the transaction times out, further response to the original request will be discarded. The default value is **10**. The valid range is:
  - Minimum—0
  - Maximum—999999999
11. **address-translation**—Enter a list of address translations that define the NAT function for the DNS servers.

You can access the NAT parameters for the DNS servers by typing `address-translation` and pressing enter within the DNS server attributes configuration.

```
ORACLE(dns-config)# server-dns-attributes
ORACLE(server-dns-attributes)# address-translation
```

To configure the NAT, enter two values:

- **server-prefix**: address/prefix that will be returned by the DNS server
- **client-prefix**: address/prefix that to which a response is returned

Each of these is a two-part value:

- IPv4 address
- Number of bits indicating how much of the IPv4 address to match

If you do not specify the number of bits, then all 32 bits of the IPv4 address will be used for matching. If you set the number of bits to 0, then the address will simply be copied.

For example, if you set the server prefix to 10.3.17.2/16 and the client prefix to 192.168.0.0/16, then the Oracle® Enterprise Session Border Controller will return an address of 192.168.17.2 to the DNS client.

```
ORACLE(server-dns-attributes)# address-translation
ORACLE(address-translation)# server-prefix 10.3.17.2/16
ORACLE(address-translation)# client-prefix 192.168.0.0/16
```

## DNS Transaction Timeout

To provide resiliency during DNS server failover, you can now enable a transaction timeout for DNS servers. If you have endpoints that are only capable of being configured with a single DNS server, this can allow DNS queries to be sent to the next configured server—even when contacting the Oracle® Enterprise Session Border Controller's DNS ALG on a single IP address. So when the first server in the list times out, the request is sent to the next server in the list.

The Oracle® Enterprise Session Border Controller uses the transaction timeout value set in the **dns-server-attributes** configuration (part of the **dns-config**).

## DNS Transaction Timeout Configuration

To enable the DNS transaction timeout:

1. In Superuser mode, type **configure terminal** and press Enter.

```
ORACLE# configure terminal
ORACLE(configure)#
```

2. Type **media-manager** and press Enter

```
ORACLE(configure)# media-manager
ORACLE(media-manager)#
```

3. Type **media-manager** and press Enter.

```
ORACLE(media-manager)# media-manager
ORACLE(media-manager-config)#
```

4. **dnsalg-server-failover**—Change this parameter from **disabled** (default) to **enabled** to allow DNS queries to be sent to the next configured server—even when contacting the Oracle® Enterprise Session Border Controller's DNS ALG on a single IP address. So when the first server in the list times out, the request

is sent to the next server in the list. The Oracle® Enterprise Session Border Controller uses the transaction timeout value set in the **dns-server-attributes** configuration (part of the **dns-config**).

5. Save your work.

## Dynamic ACL for the HTTP-ALG

The dynamic Access Control List (ACL) option for HTTP-Application Layer Gateway (ALG) provides Distributed Denial of Service (DDoS) attack protection for the HTTP port.

When you enable the dynamic ACL option, the system sets the trust level for static flow for the public listening socket defined in **http-alg, public** to **untrusted**. Each listening socket creates and manages its ACL list, which allows the listening socket to keep track of the number of received and invalid messages, the number of connections per endpoint, and so on. You can configure a different setting for each **http-alg** object.

Dynamic ACL for each endpoint is triggered by Session Initialization Protocol (SIP) registration messages. Upon receiving a SIP registration message, the SIP agent creates a dynamic ACL entry for the endpoint. If the 200 OK response is received, the ACL is promoted, allowing the HTTP message to go through the security domain. If SIP registration is unsuccessful, the ACL entry is removed and HTTP ingress messages are blocked from the endpoint. The ACL entry is removed upon incomplete registration renewal or telephone disconnect.

The following example describes the criteria and associated configuration item that result in a denied or allowed connection for both low and medium control levels.

Criteria	Associated Configuration Item	Action
Exceed total number of connections for allowed	http-alg, max-incoming-conns	Connection denied
Exceed total connections per peer	http-alg, per-src-ip-mas-incoming-conns	Connection denied
ACL not promoted	Dynamically set on SIP registration	Connection denied
Exceed maximum number of packets/sec	realm-config, maximum-signal-threshold	Connection denied and peer is promoted
Exceed maximum number of error packets	Realm-config, invalid-signal-threshold	Connection denied and peer is promoted

Oracle recommends setting **realm-config, access-control-level** to `medium`.

If a peer is promoted to **trusted**, the system performs DDoS checks on **max number of packets/sec** and **max number of error packets** allowed.

Demotions depend on the **ream-config, access-control-trust-level** setting for the realm. For more information on **realm-config** settings, see the *ACLI Configuration Guide*.

If you want to configure different ACL settings for SIP traffic and for HTTP-ALG traffic, you must configure a realm for each type of traffic.

## Dynamic Access Control List (ACL) Settings for the HTTP Application Layer Gateway (ALG)

You can set the following parameters for the realm specified in **http-alg**, **public**, **realm-id**.

- access-control-trust-level
- invalid-signal-threshold
- maximum-signal-threshold
- untrusted-signal-threshold
- deny-period

For more information on **realm-config** settings, see the ACLI Configuration Guide.

## Enable Dynamic Access Control List (ACL) for the HTTP Application Layer Gateway (ALG)

Dynamic ACL option, which provides Distributed Denial of Service (DDoS) attack protection for the HTTP port, is an option that you must enable.

Confirm that the session manager is mapped to the Oracle® Enterprise Session Border Controller.

Two ACL entries are required for each registered telephone, where one entry is used for SIP traffic and one is used for HTTP-ALG traffic.

### Note:

Enabling dynamic access control for HTTP-ALG traffic reduces the number of available dynamic ACL entries on the session border controller, which may reduce the number of concurrent trusted endpoints that the system can support.

1. From the command line, type **configure terminal**, and press ENTER.
2. Type **session-router**, and press ENTER.
3. Type **http-alg**, and press ENTER.  
The system displays a list of configured HTTP-ALG objects.
4. Type the number of the HTTP-ALG object that you want to edit, and press ENTER.  
The system displays the configuration values for the selected object.
5. Type **dynamic-acl enabled**, and press ENTER.
6. Optional. Type **max-incoming-conns <value>**, and press ENTER to set the maximum number of connections per peer IP address.
7. Optional. Type **per-src-ip-max-incoming-conns <value>**, and press ENTER to set the maximum number of HTTP connections per peer IP address.
8. Type **Done**, and press ENTER to save the HTTP-ALG values.

The system displays the HTTP-ALG configuration.

9. Exit, Save, and Activate the configuration.

# 7

## IWF Services

### IWF Services

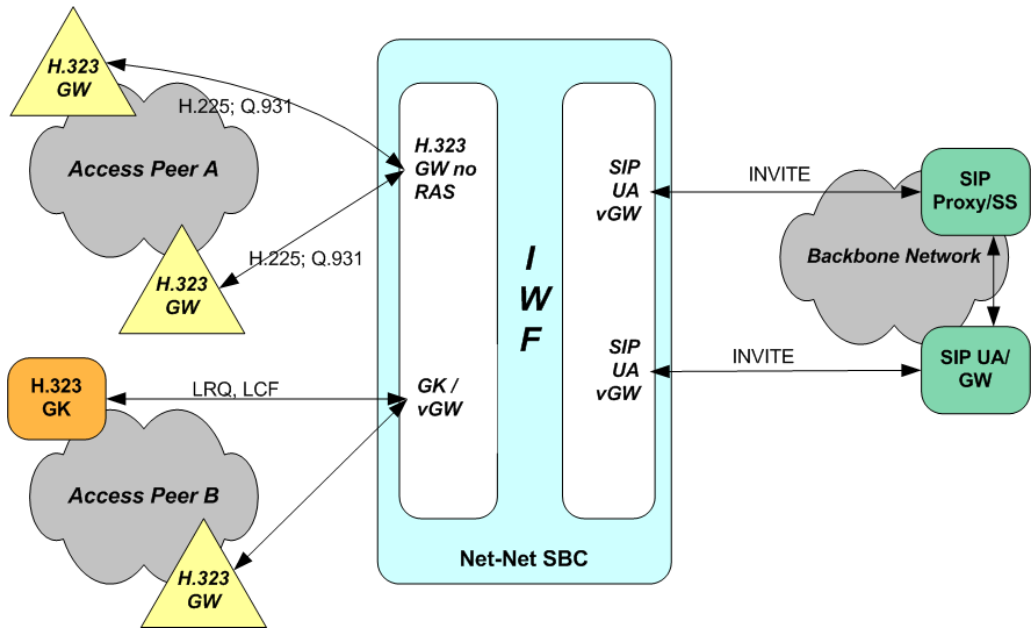
Using the Oracle® Enterprise Session Border Controller's interworking function (IWF), you can interconnect SIP networks with H.323 networks. Considering the large amount of H.323 deployments already in place and the continuing emergence of SIP in new VoIP deployments, the IWF provides a much-needed solution. SIP providers can maintain a single-protocol backbone while exchanging VoIP sessions with H.323 providers.

The H.323 Signaling Services section contains information about the H.323 signaling modes of operation that the Oracle® Enterprise Session Border Controller supports. The following H.323 signaling modes of operation can be used when you use the Oracle® Enterprise Session Border Controller's IWF in an access or a peering solution.

- Back-to-back gateway signaling
- Interworking gatekeeper/gateway

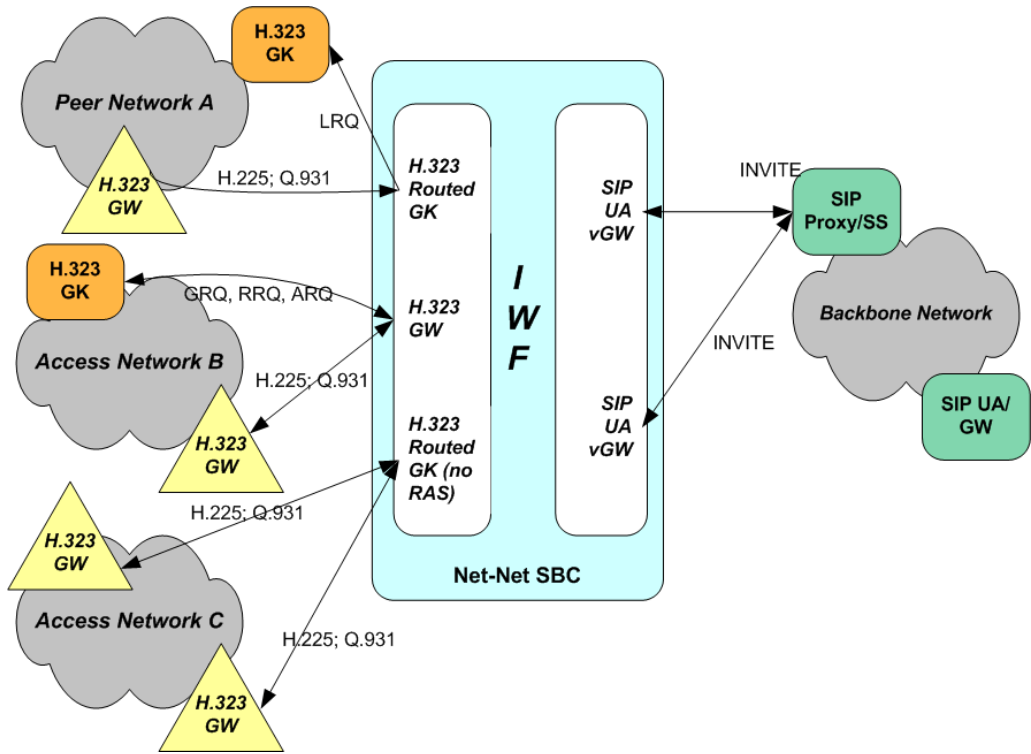
### Access Network Application

You can configure your Oracle® Enterprise Session Border Controller so that it provides an access solution for your network. The access solution allows SIP-based hosted communications platforms to be extended to enterprise-based H.323 systems. In the figure below, you can see different types of H.323 signaling modes being interworked with SIP. On the H.323 side, the Oracle® Enterprise Session Border Controller can appear to be a gatekeeper or a gateway, depending on how you configure the H.323 interface. On the SIP side, the Oracle® Enterprise Session Border Controller can appear to be a SIP UA or behave as a virtual gateway.



## Networking Peering Application

In the IWF network peering solution, you can see the same network elements at work. However, the H.323 side of this IWF application shows the use of a gatekeeper controlled gateway for Peer Network B. Because this is a peering solution, the SIP side of the Oracle® Enterprise Session Border Controller communicates with the SIP proxy or softswitch in the backbone network rather than with the SIP UA or SIP gateway.





## SIP and H.323

The Oracle® Enterprise Session Border Controller supports interworking between SIP and H.323 for H.323 Slow Start and Fast Start calls. In addition to describing IWF sessions when initiated from the H.323 side and from the SIP side (with sample call flows), this section provides information you will need when you configure SIP and H.323.

### SIP H.323 Negotiation H.323 Fast Start

The Oracle® Enterprise Session Border Controller can perform protocol translations for SIP and H.323 Fast Start, where media capabilities are sent with the Setup request for an H.323 session.

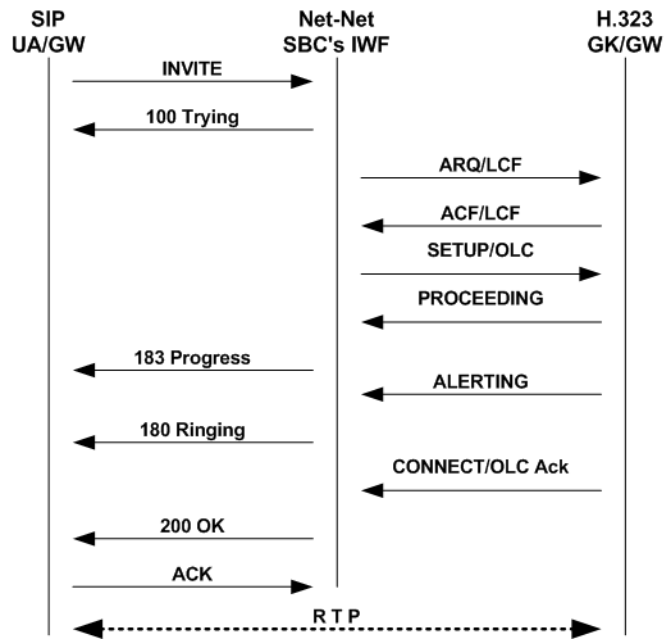
This section's call flow diagrams show how SIP and H.323 messages flow between SIP and H.323 devices, with the Oracle® Enterprise Session Border Controller positioned between the two entities so it can perform translations. The following two sample scenarios with Fast Start appear in the diagrams below, although other scenarios are possible:

- Calls originating in SIP being translated to H.323 Fast Start
- Calls originating in H.323 Fast Start translated to SIP

### SIP to Fast Start H.323

In the following diagram below, a SIP endpoint (such as a UA or a SIP Gateway) initiates a session by sending an INVITE message destined for an H.323 endpoint (a GK or GW). Between these entities, the system is positioned to perform interworking. The Oracle® Enterprise Session Border Controller recognizes that the INVITE message is destined for an H.323 device, and returns a 100 Trying message to the SIP endpoint as it attempts to negotiate the H.323 side of the session. This negotiation starts when the Oracle® Enterprise Session Border Controller initiates the RAS process with the H.323 endpoint by sending either an ARQ or an LRQ, allowing the Oracle® Enterprise Session Border Controller to determine if the H.323 endpoint will accept the session.

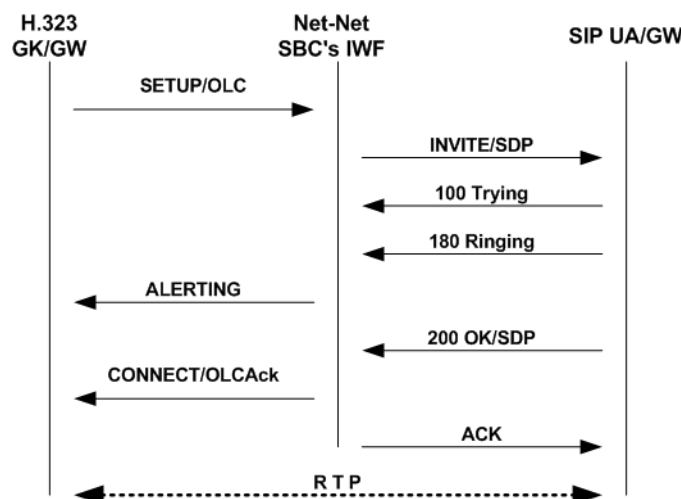
Once the H.323 endpoint responds with an ACF or LCF, the Oracle® Enterprise Session Border Controller reissues the SIP INVITE on the H.323 side as an H.225 Setup, which is sent with the OLC. Then the H.323 endpoint responds with Proceeding and Alerting messages (which correspond respectively to SIP 183 Progress and 180 Ringing messages). At that point, the H.323 endpoint sends a Connect message that includes the OpenLogicalChannel message (OLC), announcing the logical channel for media flows has been set up. The Oracle® Enterprise Session Border Controller converts the H.323 OLC to a SIP 200 OK. After receiving the 200 OK, the SIP endpoint sends an ACK, confirming that the session has been established. Because there is no H.323 equivalent for the SIP ACK, the Oracle® Enterprise Session Border Controller does not generate a corresponding message on the H.323 side. At this point, the session is fully established and RTP flows between the endpoints.



## H.323 Fast Start to SIP

In the diagram below, an H.323 endpoint (a GK or GW) initiates a session by sending a Setup request destined for a SIP endpoint (such as a UA or a SIP Gateway). Between these entities, the Oracle® Enterprise Session Border Controller is positioned to perform interworking. The H.323 endpoint has completed the RAS process prior to sending the SETUP message.

The Oracle® Enterprise Session Border Controller receives the Setup message and then sends a SIP INVITE on the SIP side. The SIP endpoint responds with a 100 Trying; the Oracle® Enterprise Session Border Controller does not resend this message on the H.323 side. Next, the SIP endpoint issues a 180 Ringing message, which the Oracle® Enterprise Session Border Controller reissues to the H.323 endpoint as an Alerting message. The SIP endpoint then sends a 200 OK, retransmitted by the Oracle® Enterprise Session Border Controller as a Connect message that includes an OLC. Once the Oracle® Enterprise Session Border Controller sends an ACK to the SIP endpoint, RTP flows between the endpoints.



## SIP H.323 Negotiation H.323 Slow Start

The Oracle® Enterprise Session Border Controller can also perform protocol translations for SIP and H.323 Slow Start, where—unlike the cases with Fast Start described above—media information is not sent with the Setup request for an H.323 session. For H.323 Slow Start, media is negotiated after the session is established.

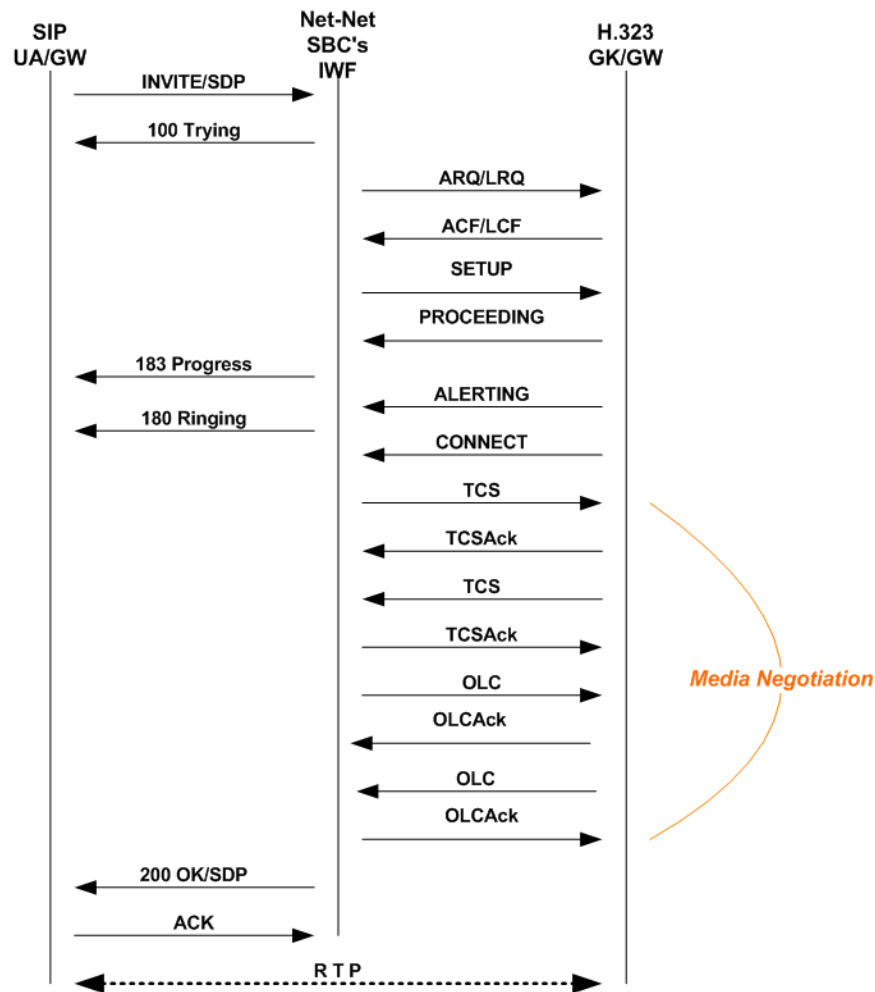
This section's call flow diagrams show how SIP and H.323 messages flow between SIP UA/GW and an H.323 GK/GW, with the Oracle® Enterprise Session Border Controller positioned between the two entities so it can perform translations. Two sample scenarios with Slow Start appear in the diagrams below:

- SIP being interworked to Slow Start H.323
- Slow Start H.323 being interworked to SIP

### H.323 SIP to Slow Start

In the following diagram below, a SIP endpoint (such as a UA or a SIP Gateway) initiates a session by sending an INVITE request destined for an H.323 Slow Start endpoint (a GK or GW). Between these entities, the Oracle® Enterprise Session Border Controller is positioned to perform interworking.

The call flow for this type of translation works fundamentally the same way that the translation does for SIP to Fast Start H.323, with the exception of how the media is established. Media is negotiated through the exchange of TCS and OLC messages after the H.323 Connect and SIP 180 Ringing messages have been sent. The first TCS message is sent from the Oracle® Enterprise Session Border Controller to the H.323 endpoint, and it contains information about media capabilities in SDP. The H.323 endpoint accepts and acknowledges this information with a TCS Ack message. Then the H.323 endpoint sends a second TCS, carrying information about the Gateway's capabilities, that the Oracle® Enterprise Session Border Controller accepts and acknowledges. The H.323 endpoint and the Oracle® Enterprise Session Border Controller then exchange OLC and OLC Ack messages that establish the operating mode and Gateway capability. Finally, the Oracle® Enterprise Session Border Controller completes the 200 OK/ACK sequence on the SIP side, and RTP flows between the two endpoints.



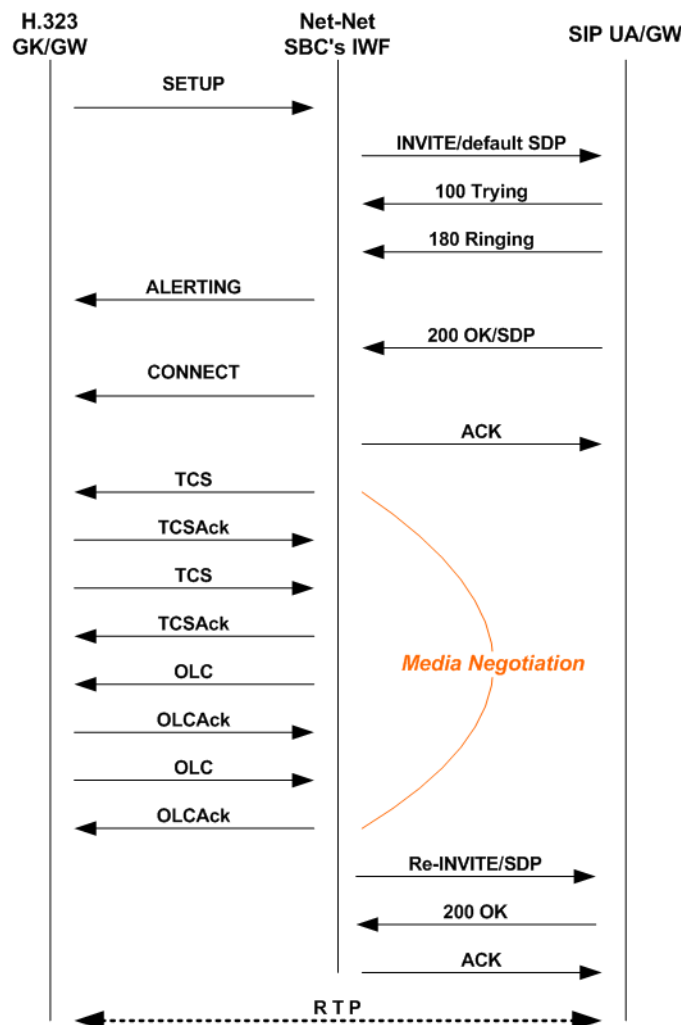
## H.323 Slow Start to SIP

In the following diagram below, an H.323 endpoint (GW or GK) initiates a session by sending a Setup request destined for a SIP endpoint (such as a UA or a SIP Gateway). Between these entities, the Oracle® Enterprise Session Border Controller is positioned to perform interworking. The H.323 endpoint has completed the RAS process prior to sending the SETUP message.

The call flow for this type of translation works fundamentally the same way that the translation does for H.323 Fast Start to SIP, with the exception of how the media is established. When the Oracle® Enterprise Session Border Controller receives an H.323 message destined for a SIP endpoint, it sends a SIP INVITE message that includes default SDP to that SIP endpoint. The default SDP is constructed using information in the media profiles listed for the IWF configuration; if necessary, this media information is amended later in the sequence. Once the call is set up, the Oracle® Enterprise Session Border Controller negotiates media with the H.323 endpoint through a series of TCS/TCS Ack and OLC/OLC Ack messages that establish the operating mode and Gateway capability.

When the Oracle® Enterprise Session Border Controller completes media negotiation with the H.323 endpoint, it issues a re-INVITE to the SIP endpoint that contains the updated information needed for media transmission. In response, the SIP endpoint

sends a 200 OK message that the Oracle® Enterprise Session Border Controller answers with an ACK. Then RTP can flow between the two endpoints.



## Status and Codec Mapping

The Oracle® Enterprise Session Border Controller maps SIP and H.323 status codes as described in this section. Status and codec mapping do not require configuration; they occur transparently.

## IWF Termination from H.323

When a call that requires the IWF terminates from the H.323 side, the Oracle® Enterprise Session Border Controller uses the mapping scheme in the following table to determine the appropriate SIP status.

H.323 Disconnect Reason	SIP Status
No Bandwidth	480 Temporarily Unavailable
Gatekeeper Resource	404 Not Found
Unreachable Destination	404 Not Found
Destination Rejection	603 Decline

H.323 Disconnect Reason	SIP Status
Invalid Revision	505 Version Not Supported
No Permission	401 Unauthorized
Unreachable Gatekeeper	503 Service Unavailable
Gateway Resource	480 Temporarily Unavailable
Bad Format Request	400 Bad Request
Adaptive Busy	486 Busy Here
In Conference	486 Busy Here
Undefined Reason	500 Internal Server Error
Facility Call Deflection	486 Busy Here
Security Denied	401 Unauthorized
Called Party Not Registered	404 Not Found
Caller Not Registered	401 Unauthorized

## IWF Termination During H.323 RAS

When a call that requires the IWF terminates from the H.323 side during RAS and generates an error, the Oracle® Enterprise Session Border Controller uses the mapping scheme in the following table to determine the appropriate SIP status.

H.323 RAS Error	SIP Status
Called Party Not Registered	404 Not Found
Invalid Permission	401 Unauthorized
Request Denied	503 Service Unavailable
Undefined	500 Internal Server Error
Caller Not Registered	401 Unauthorized
Route Call To Gatekeeper	305 User Proxy
Invalid Endpoint ID	500 Internal Server Error
Resource Unavailable	503 Service Unavailable
Security Denial	401 Unauthorized
QoS Control Not Supported	501 Not Implemented
Incomplete Address	484 Address Incomplete
Route Call to SCN	302 Moved Temporarily
Aliases Inconsistent	485 Ambiguous
Not Currently Registered	401 Unauthorized

## IWF RAS Registration Failure Code Mapping

For calls that require interworking between H.323 and SIP, the Oracle® Enterprise Session Border Controller supports IWF response code mapping. This feature enables the Oracle® Enterprise Session Border Controller to support configurable SIP response codes for IWF calls that fail during RAS, when the Oracle® Enterprise Session Border Controller has been unable to register with a gatekeeper; this allows a wider range of more accurate response codes to be communicated.

When this feature is not enabled, the Oracle® Enterprise Session Border Controller generates a 404 Not Found when a SIP-to-H.323 call fails as a result of the stack's failure to register with a gatekeeper.

When the condition noted above takes place, the response code can be any of the ones listed in this table. The code values listed in the table are used to specify the code to which you want to map.

Code	Description
403	Forbidden
406	Not Acceptable
408	Request Timeout
410	Gone
420	Bad Extension
480	Temporarily Unavailable
486	Busy Here
487	Request Terminated
500	Server Internal Error
503	Service Unavailable
504	Server Time-out
600	Busy Everywhere
603	Decline

To enable IWF RAS registration failure code mapping:

1. In Superuser mode, type **configure terminal** and press Enter.

```
ORACLE# configure terminal
```

2. Type **session-router** and press Enter.

```
ORACLE(configure)# session-router
ORACLE(session-router)#
```

3. Type **h323** and press Enter.

```
ORACLE(session-router)# h323
ORACLE(h323)#
```

4. **options**—Set the options parameter by typing **options**, a Space, the option name preceded by a plus sign (+) (**iwfRegFailCode=X**), and then press Enter. X is the SIP response code that you want to use; the table above lists the supported response codes that are supported.

```
ORACLE(h323)# options +iwfRegFailCode=503
```

If you type **options iwfRegFailCode=X**, you will overwrite any previously configured options. In order to append the option to the options list, you must prepend the new option with a plus sign as shown in the previous example.

## IWF Termination from SIP

When a call that requires the IWF terminates from the SIP side, the Oracle® Enterprise Session Border Controller uses the mapping scheme in the following table to determine the appropriate H.323 Release Complete Reason code.

<b>SIP Status</b>	<b>H.323 Release Complete Reason</b>
300 Multiple Choices	Undefined Reason
401 Unauthorized	Security Denied
402 Payment Required	Undefined Reason
403 Forbidden	No Permission
404 Not Found	Unreachable Destination
405 Method Not Allowed	Undefined Reason
406 Not Acceptable	Undefined Reason
407 Proxy Authentication Required	Security Denied
408 Request Timeout	Adaptive Busy
409 Conflict	Undefined Reason
410 Gone	Unreachable Destination
411 Length Required	Undefined Reason
414 Request-URI Too Large	Bad Format Address
415 Unsupported Media Type	Undefined Reason
420 Bad Extension	Bad Format Address
480 Temporarily Unavailable	Adaptive Busy
481 Call/Transaction Does Not Exist	Undefined Reason
482 Loop Detected	Undefined Reason
483 Too Many Hops	Undefined Reason
484 Address Incomplete	Bad Format Address
485 Ambiguous	Undefined Reason
486 Busy Here	In Conference
487 Request Terminated	Undefined Reason
488 Not Acceptable Here	Undefined Reason
500 Internal Server Error	Undefined Reason
501 Not Implemented	Undefined Reason
502 Bad Gateway	Gateway Resource
503 Service Unavailable	Gateway Resource
504 Gateway Timeout	Adaptive Busy
505 Version Not Supported	Invalid Revision
600 Busy Everywhere	Adaptive Busy
603 Decline	Destination Rejection
604 Does Not Exist Anywhere	Unreachable Destination
606 Not Acceptable	Undefined Reason

## Q.850 Cause to H.323 Release Complete Reason

When a call that requires the IWF terminates from the H.323 side and no H.323 Release Complete Reason is specified, the Oracle® Enterprise Session Border Controller maps the Q.850 cause to an H.323 Release Complete Reason using the mapping scheme in the following table. This new H.323 status is then mapped to a SIP status as described in the IWF Termination from SIP table.

<b>Q.850 Cause</b>	<b>H.323 Release Complete Reason</b>
No Route To Destination	Unreachable Destination
Normal Call Clearing	Destination Rejection



Q.850 Cause	H.323 Release Complete Reason
User Busy	In Conference
Subscriber Absent	Called Party Not Registered
Invalid Number Format	Bad Format Address
Normal Unspecified	Undefined Reason
No Circuit/Channel Available	No Bandwidth
Network Out Of Order	Unreachable Gatekeeper
Temporary Failure	Adaptive Busy
Switching Equipment Congestion	Gateway Resource
Resource Unavailable	Gatekeeper Resource
Incompatible Destination	Invalid Revision
Interworking Unspecified	No Permission

## Codec Mapping

The Oracle® Enterprise Session Border Controller uses the following mapping scheme when converting media specifications between H.245 (used in H.323) and SDP (used in SIP).

Media coming into the Oracle® Enterprise Session Border Controller one way exits the system in the corresponding way as specified in the following table. For example, media coming into the Oracle® Enterprise Session Border Controller as H.245 type g711Ulaw64k exits the system as media type PCMU.

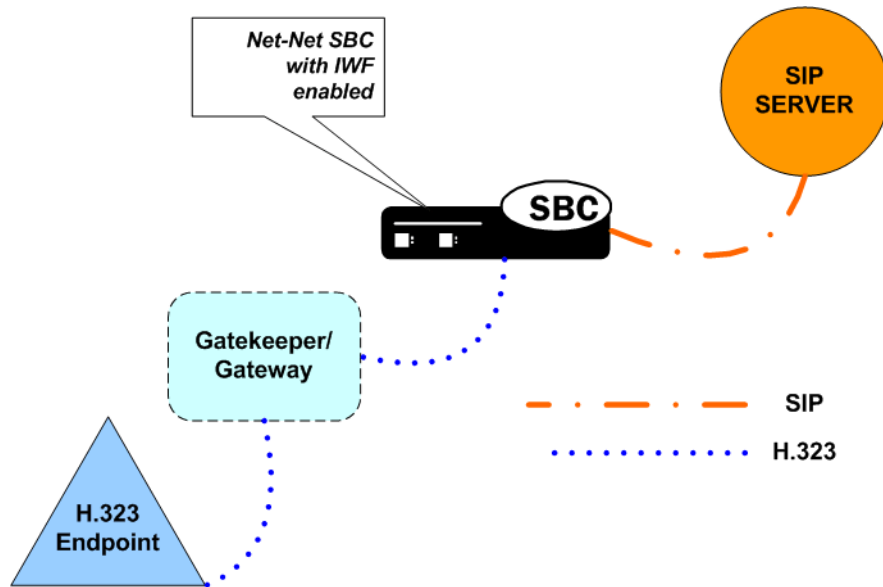
H.245 Type	SDP Media Type
g711Ulaw64k	PCMU
g711Ulaw56k	PCMU
g711Alaw64k	PCMA
g711Alaw56k	PCMA
g726	G726-32
g7231	G723
g722	G722
g728	G728
g729wAnnexB	G729
g729	G729 fmtp:18 annexb=no
h261VideoCapability	H261
h263VideoCapability	H263

## IWF Service Enhancements

This section describes the Oracle® Enterprise Session Border Controller features that are supported for when the Oracle® Enterprise Session Border Controller performs interworking between SIP and H.323. Enabling these enhancements only requires that you set up a fully functional SIP configuration, a fully functional H.323 configuration, and that you enable IWF on your Oracle® Enterprise Session Border Controller . You do not have to set any special configuration because these enhancements happen automatically.

## SIP Redirect—H.323 LRQ Management

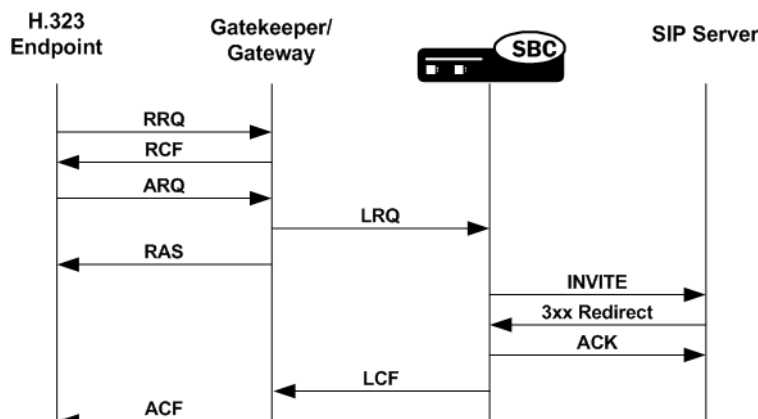
When it needs to interact with a SIP Redirect server, the Oracle® Enterprise Session Border Controller can interpret the SIP messages and manage them on the H.323 side of the session. For IWF sessions, the Oracle® Enterprise Session Border Controller handles SIP Redirect and H.323 LRQ messages.



## Redirect—LRQ Management Sample 1

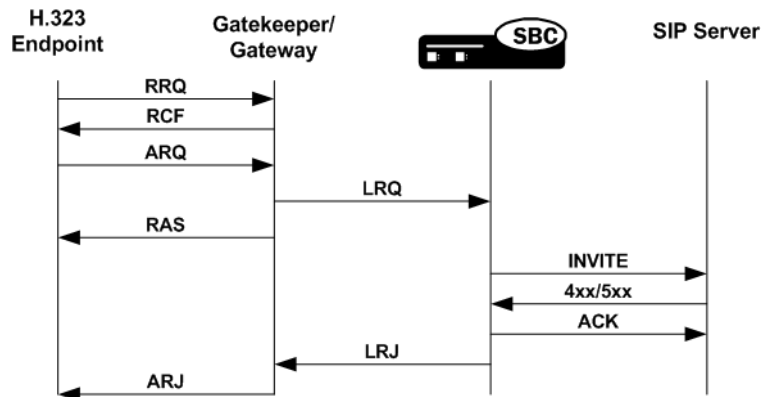
This section presents three possible scenarios for SIP Redirect-H.323 LRQ management.

The following diagram shows an established session that uses SIP Redirect—H.323 LRQ management. Here, the Oracle® Enterprise Session Border Controller sends an INVITE to a SIP Redirect Server that responds with a 3xx Redirection message. The Oracle® Enterprise Session Border Controller then sends the gatekeeper/gateway an LCF message that causes an ACF message to be sent to the H.323 endpoint.



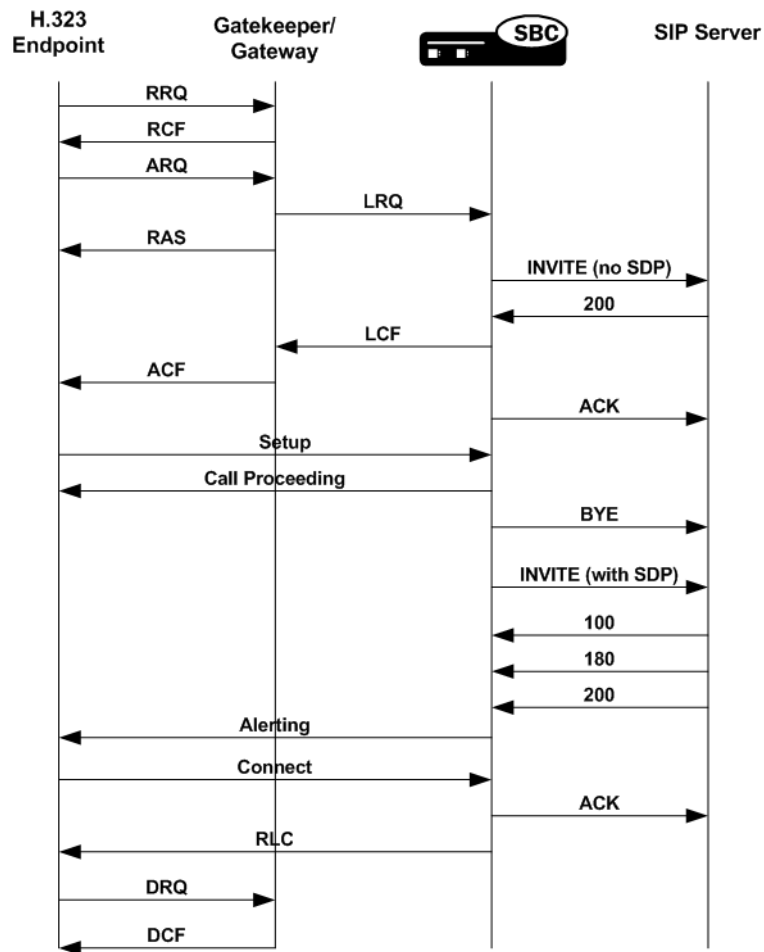
## Redirect—LRQ Management Sample 2

The following diagram shows how the Oracle® Enterprise Session Border Controller handles the exchange when the SIP Redirect server declares either that there is an error or that there is no such user. These SIP messages come from either the 4xx Request Failure or 5xx Server Failure series. In the example below, the SIP Redirect server returns a 401 Unauthorized message, which the Oracle® Enterprise Session Border Controller interworks and communicates to the H.323 gatekeeper as an LRJ. Then the H.323 gatekeeper/gateway issues an ARJ to the H.323 endpoint.



## Redirect—LRQ Management Sample 3

In this call flow, the SIP server issues a 2xx Successful message that is not supposed to be sent (because a 3xx, 4xx, or 5xx message should be sent in response to the Oracle® Enterprise Session Border Controller's INVITE). The Oracle® Enterprise Session Border Controller sends a BYE message to the SIP Redirect Server, but it tries to initiate the session again, this time successfully. The final sample call flow shown rarely occurs.



## SIP INFO and DTMF UII Management

The Oracle® Enterprise Session Border Controller supports DTMF for that require the IWF, enabling features such as keypress, alphanumeric, and hookflash. Because tones are not transmitted as audio, they must pass as out-of-band signaling information, meaning that the Oracle® Enterprise Session Border Controller needs to convert an H.245 UII (User Input Indication) into SIP.

Depending on the capability of the H.323 endpoint, the Oracle® Enterprise Session Border Controller sends either an alphanumeric or DTMF signal in the H.245 UII. The Oracle® Enterprise Session Border Controller sends nothing if the endpoint does not support an alphanumeric or DTMF signal. The SIP INFO message will have a content type of application/dtmf-relay, and the message body will be in the form `Signal=*r\nDuration=250\r\n`. If the duration is absent in the SIP INFO or the UII received on the H.323 side is alphanumeric, the Oracle® Enterprise Session Border Controller uses the a 250 millisecond default value.

## Mid-Session Media Change

Mid-session media change happens during a call that requires the IWF when the type of media being sent while a session is in progress changes. For example, a fax transmission might require mid-session media change; besides fax, other applications

of this feature are possible. To support the transmission of a T.38 fax sent over an IWF session, some media channels must be opened and others closed. In addition, the Oracle® Enterprise Session Border Controller can accommodate a request for media change from, for example, audio to an image type for T.38 fax.

Because the media requirements are driven by endpoints and Gateways, you do not have to configure the Oracle® Enterprise Session Border Controller's mid-session media change support.

## Enhanced Support for FAX Calls

The Oracle® Enterprise Session Border Controller now supports T.38 fax calls in networks containing elements that do not comply with the ITU-T H.323 Annex D recommendation for how to replace an existing audio stream with a T.38 fax stream. This support applies to signaling that requires interworking between SIP and H.323.

In the standard call model following the ITU-T recommendation, the endpoint detecting the fax tone sends an H.245 RequestMode message to its peer with a T.38 data mode. The receiving endpoint returns a RequestMode Ack by way of acknowledgement, triggering the sending endpoint to close its audio channel and open a T.38 fax channel. The receiving endpoint closes and opens the same channels on its end. T.38 fax streams flow upon the acknowledgement of all relevant channels.

However, certain endpoints close their logical channel before sending the H.245 RequestMode message for T.38, leaving the Oracle® Enterprise Session Border Controller with its audio channel still open and without having attempted to open a T.38 fax channel. To overcome this issue, the Oracle® Enterprise Session Border Controller now checks whether or not audio channels have been closed whenever it receives an H.245 RequestMode message for T.38. If it finds a closed audio channel, the Oracle® Enterprise Session Border Controller checks for the presence of a matching outgoing audio channel. A match causes the Oracle® Enterprise Session Border Controller to close the audio channel and continue with the procedure for converting to T.38 fax.

## Removing the T.38 Codec from an H.245 TCS

For SIP-H.323 IWF sessions, H.323 automatically inserts the T.38 FAX codec in the H.246 TCS message. You can stop this insertion using the **remove-t38** parameter in the H.323 global configuration.

## Early Media

For call that require the IWF, the Oracle® Enterprise Session Border Controller supports a cut-through for early media for calls that originate in SIP or H.323.

For a session originating in SIP, the provisional message will contain the SDP information if a Fast Start OLC was received in the Call Proceeding, Alerting, or Progress messages. The same SDP will be sent in the SIP 200 OK.

For a session that starts in H.323, the Oracle® Enterprise Session Border Controller translates the SDP it receives in SIP messages (either a 180 or a 183) into the appropriate H.323 Fast Start elements: Alerting or Progress. If the Alerting or Progress messages contain Fast Start elements, the Progress Indicator Q.931 information element (IE) will also be included in the message with Progress Descriptor 8, indicating that in-band information or an appropriate pattern is now available. This causes the call party to enable end-to-end early media in the reverse direction in accordance with H.323 v4.

In addition, the Oracle® Enterprise Session Border Controller allows early media to flow in the forward direction for a call that requires the IWF starting in H.323 that is being translated to SIP. This happens after the Oracle® Enterprise Session Border Controller has received provisional response with SDP and has sent Alerting or Progress message with Fast Start to the calling party. Similarly, early media in the forward direction is enabled for a call that requires the IWF starting in SIP and being translated to H.323. This happens after the Oracle® Enterprise Session Border Controller received Alerting or Progress messages with Fast Start and maps the Alerting or Progress to SIP 180 or 183 provisional response with the SDP answer.

## Display Name Mapping

The Oracle® Enterprise Session Border Controller displays the full name and number of the calling party (for features such as Caller ID) when it handles calls that require the IWF. The Oracle® Enterprise Session Border Controller takes the display name in the From field of the SIP INVITE and maps it to the display IE so that it can show the full name of the calling party.

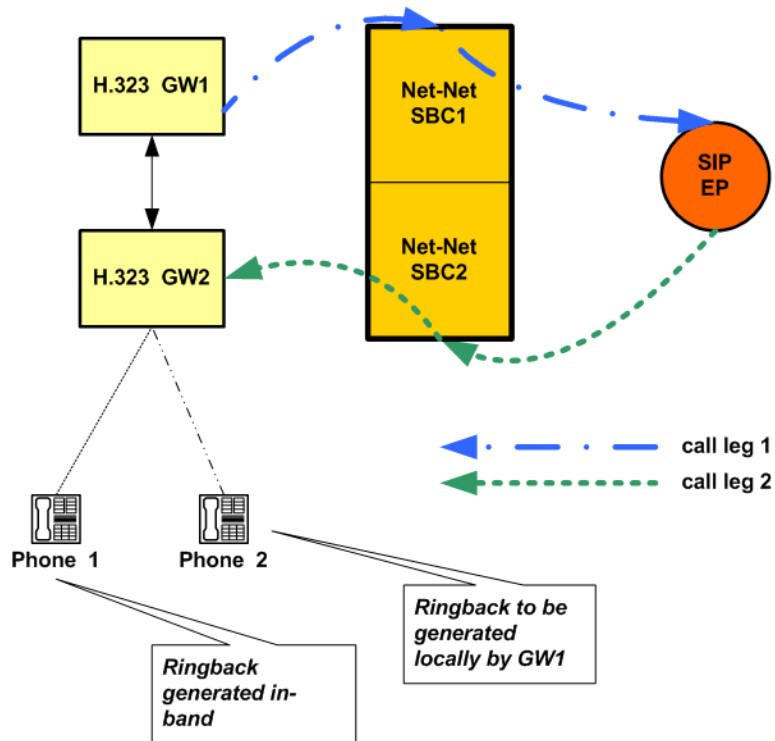
## IWF Ringback Support

When interworking SIP and H.323 to a gateway, PSTN gateway, or other endpoint, the Oracle® Enterprise Session Border Controller uses the mappings shown in the table below. The absence or presence of SDP in the SIP provisional message determines whether the tones are generated in-band or locally.

For each of the mappings listed in the following table, this section provides a sample call flow.

<b>SIP Message</b>	<b>H.323 Message</b>
No Message	CallProceeding
No Message	Progress without PI
183 with SDP	Progress with PI
180 w/o SDP	Alert without PI
180 with SDP	Alert with PI

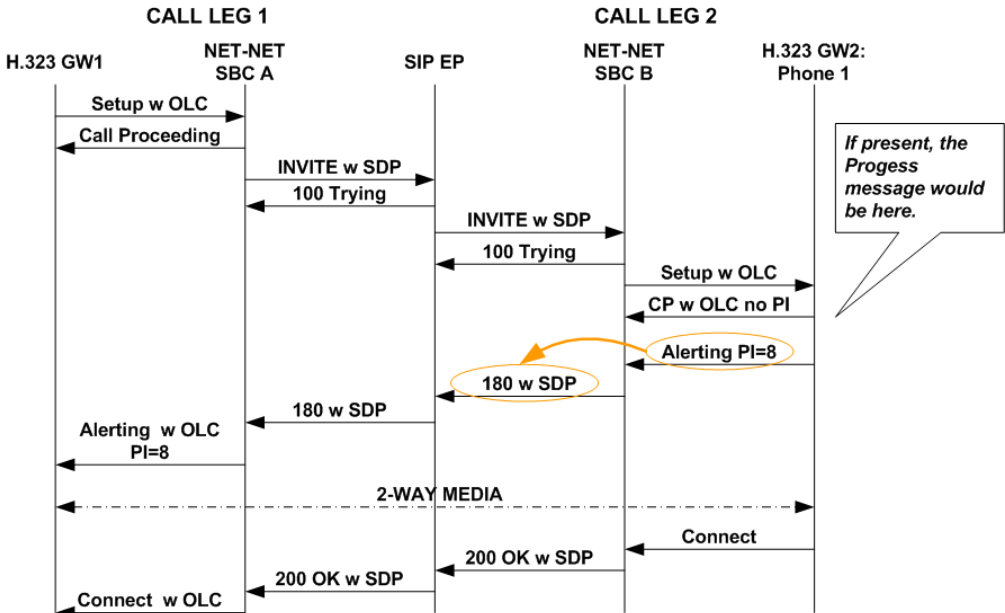
In the following diagram, a call that requires the IWF passes through the Oracle® Enterprise Session Border Controller twice, creating two call legs. The call originates from H.323 GW1 and terminates in Phone 1 or Phone 2.



## Sample 1 In-band Ringback without Progress Message

This sample flow shows how the Oracle® Enterprise Session Border Controller handles a call that requires the IWF where there is no progress message. In this call flow, there is a progress indicator of eight (8), meaning that ringback is in-band.

In this diagram, you can see that the Oracle® Enterprise Session Border Controller maps the progress indicator included in the Alerting message sent from Phone 1 through H.323 GW2 to a SIP 180 message with SDP. When the Progress message appears, it contains the progress indicator rather than the Alerting message containing it.

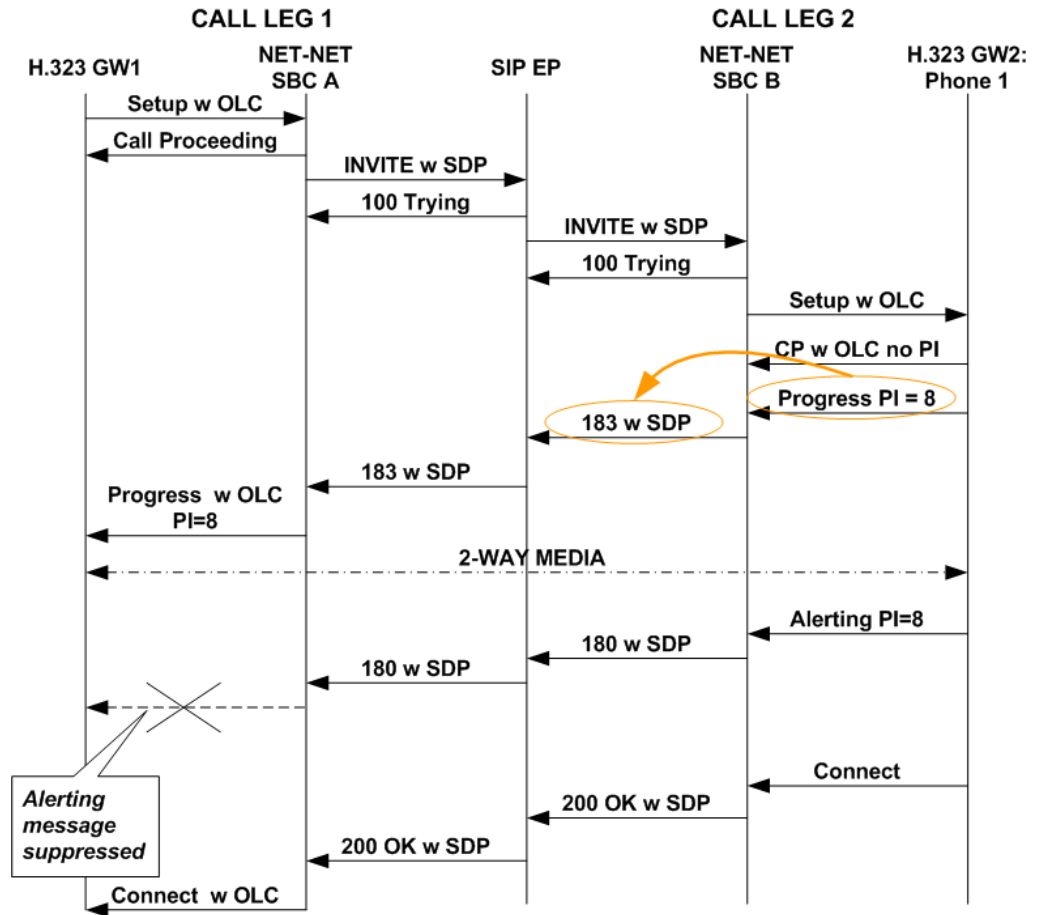


### Sample 2 In-band Ringback with Progress Message

This sample flow shows how the Oracle® Enterprise Session Border Controller handles a call that requires the IWF where there is a progress message. In this call flow, there is a progress indicator of eight (8), meaning that ringback is in-band.

For this call flow, you can see again that the Oracle® Enterprise Session Border Controller maps the progress indicator included in the alerting message sent from Phone 1 through H.323 GW2 to a SIP 180 message with SDP. Note that now the Progress message contains the progress indicator.

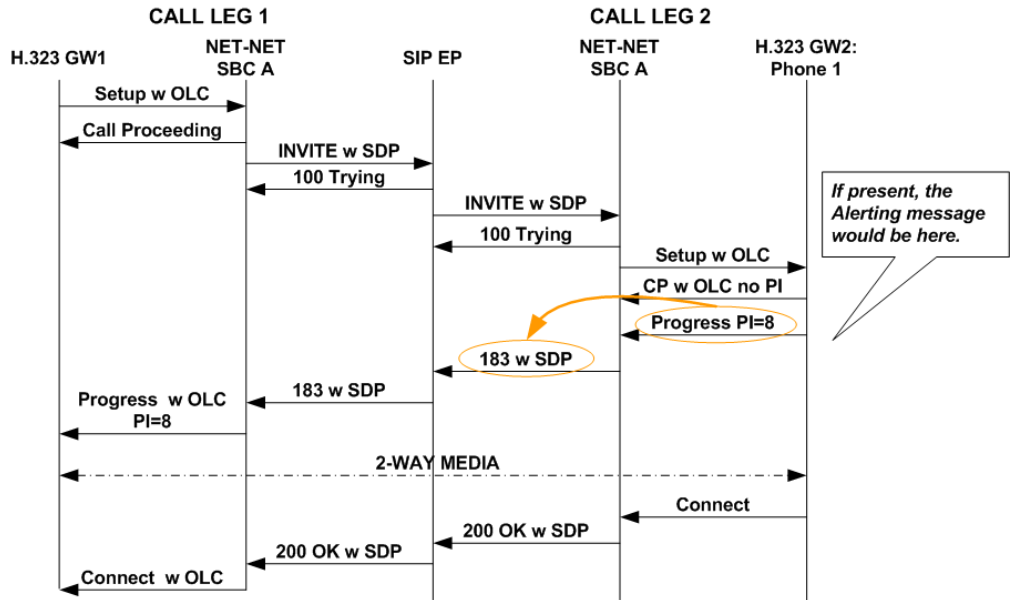




### Sample 3 In-band Ringback without Alerting Message

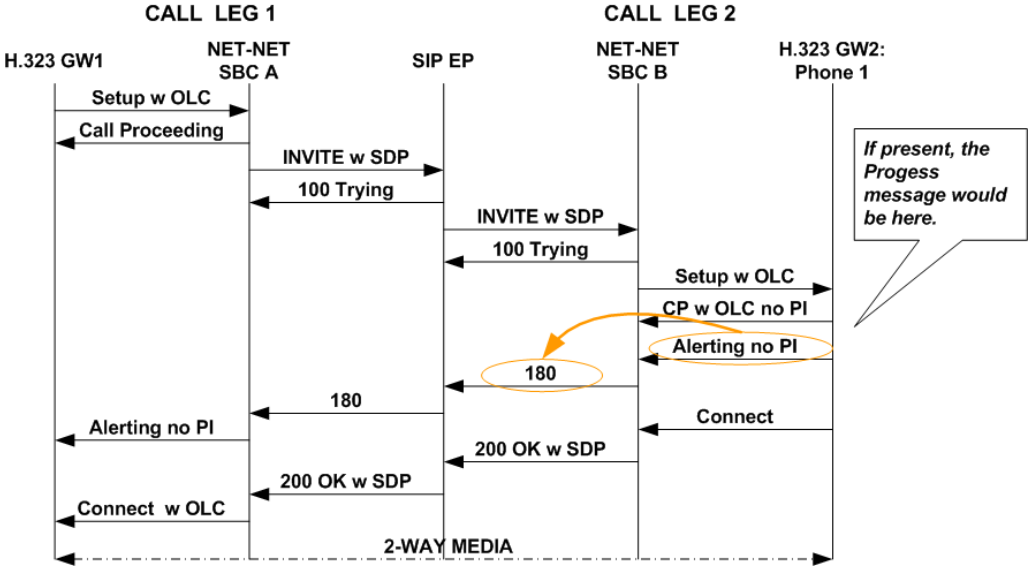
This sample flow shows how the Oracle® Enterprise Session Border Controller handles a call that requires the IWF where there is no progress message. In this call flow, there is a progress indicator of eight (8), meaning that ringback is in-band.

In this diagram, you can see that the Oracle® Enterprise Session Border Controller maps the progress indicator included in the Progress message sent from Phone 1 through H.323 GW2 to a SIP 180 message with SDP. When the Alerting message appears, it contains the progress indicator rather than the Progress message containing it.



### Sample 4 Out-of-band Ringback without Progress Message

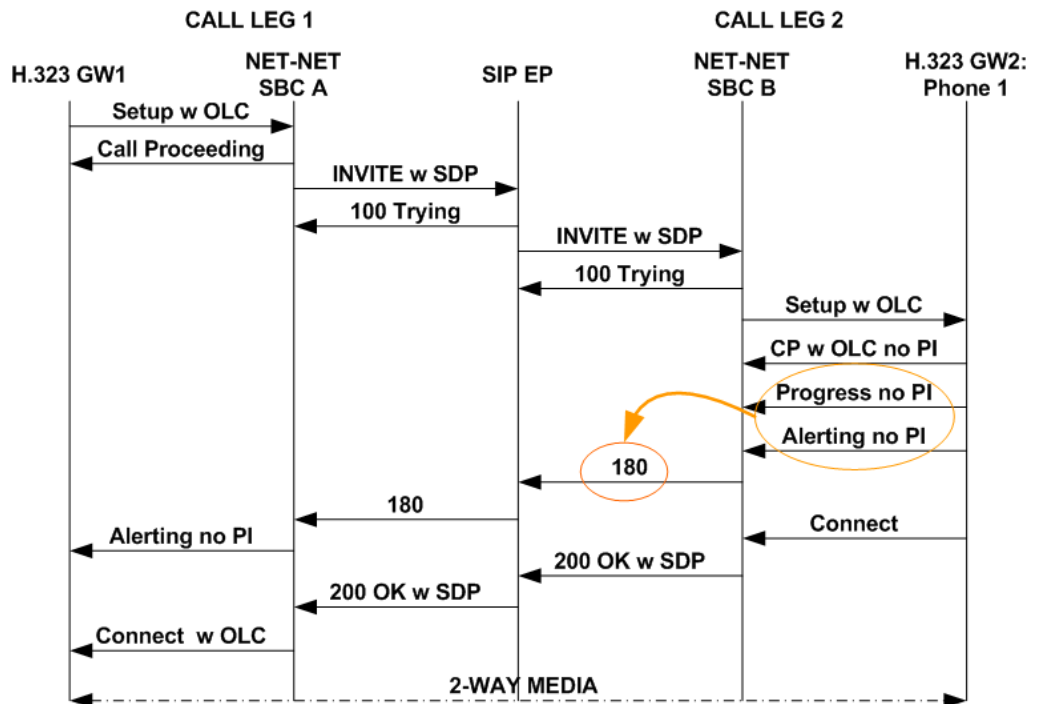
When there is no progress indicator included in the Alerting message, then there is out-of-band ringback. The system maps the Alerting message to a SIP 180, but it does not include SDP in the SIP 180. This call flow shows that there is no Progress message and that media cannot be set up until after H.323 Connect and SIP messages are sent.



### Sample Flow 5 Out-of-band Ringback with Progress Message

When there is no progress indicator included in either the Alerting or Progress messages, then there is out-of-band ringback. The system maps the Alerting message to a SIP 180, but it does not include SDP in the SIP 180. This call flow shows includes

the Progress message; still, media cannot be set up until after H.323 Connect and SIP messages are sent.

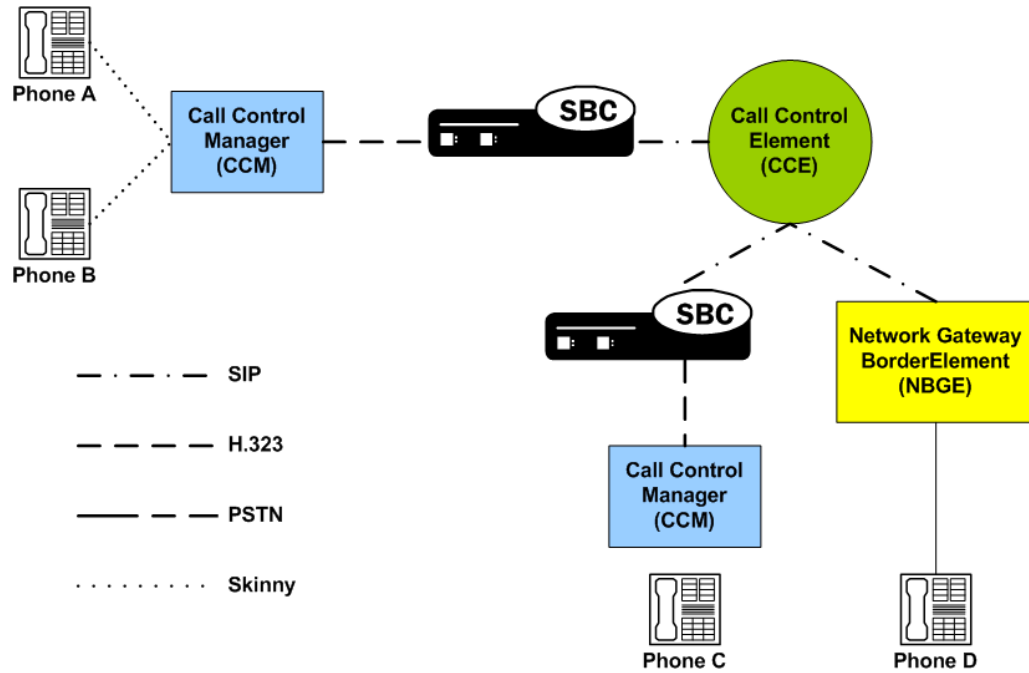


## H.323 Endpoint-Originated Call Hold and Transfer

When calls that require the IWF originating in H.323, the Oracle® Enterprise Session Border Controller supports call hold, transfer, and conference for the H.323 call leg. The call hold and transfer feature uses signaling procedures based on the ITU-T recommendations/H.323 specification for third party initiated pause and rerouting.

You do not have to configure the Oracle® Enterprise Session Border Controller's call hold and transfer feature.

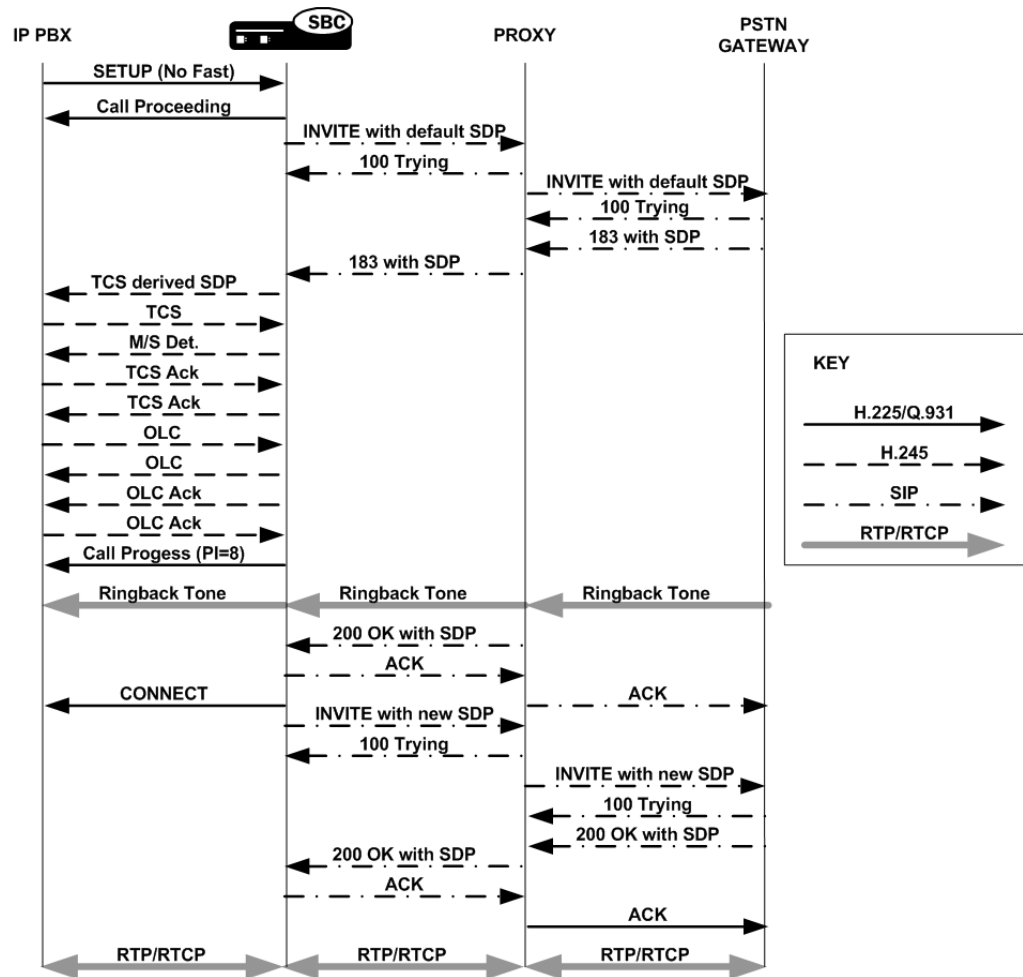
The following diagram shows how the Oracle® Enterprise Session Border Controller provides call hold and transfer support for IWF sessions that originate in H.323. As you review this section's call flow diagrams, you might want to refer back to the following logical diagram directly below to review the network elements involved, and what protocols they use.



## Basic Call

In the following sample basic call, IP PBX A sends an H.323 Slow Starts message ultimately destined for the PSTN through the Oracle® Enterprise Session Border Controller . The Oracle® Enterprise Session Border Controller performs translation to SIP and inserts default information about media. Once the PSTN gateway responds with a 183 containing SDP, the Oracle® Enterprise Session Border Controller sends that information to IP PBX A. Then the Oracle® Enterprise Session Border Controller and the IP PBX exchange TCS- and OLC-related messages, and they negotiate master-slave determination. The Oracle® Enterprise Session Border Controller also sends IP PBX A a Call Progress message with a progress indicator of 8.

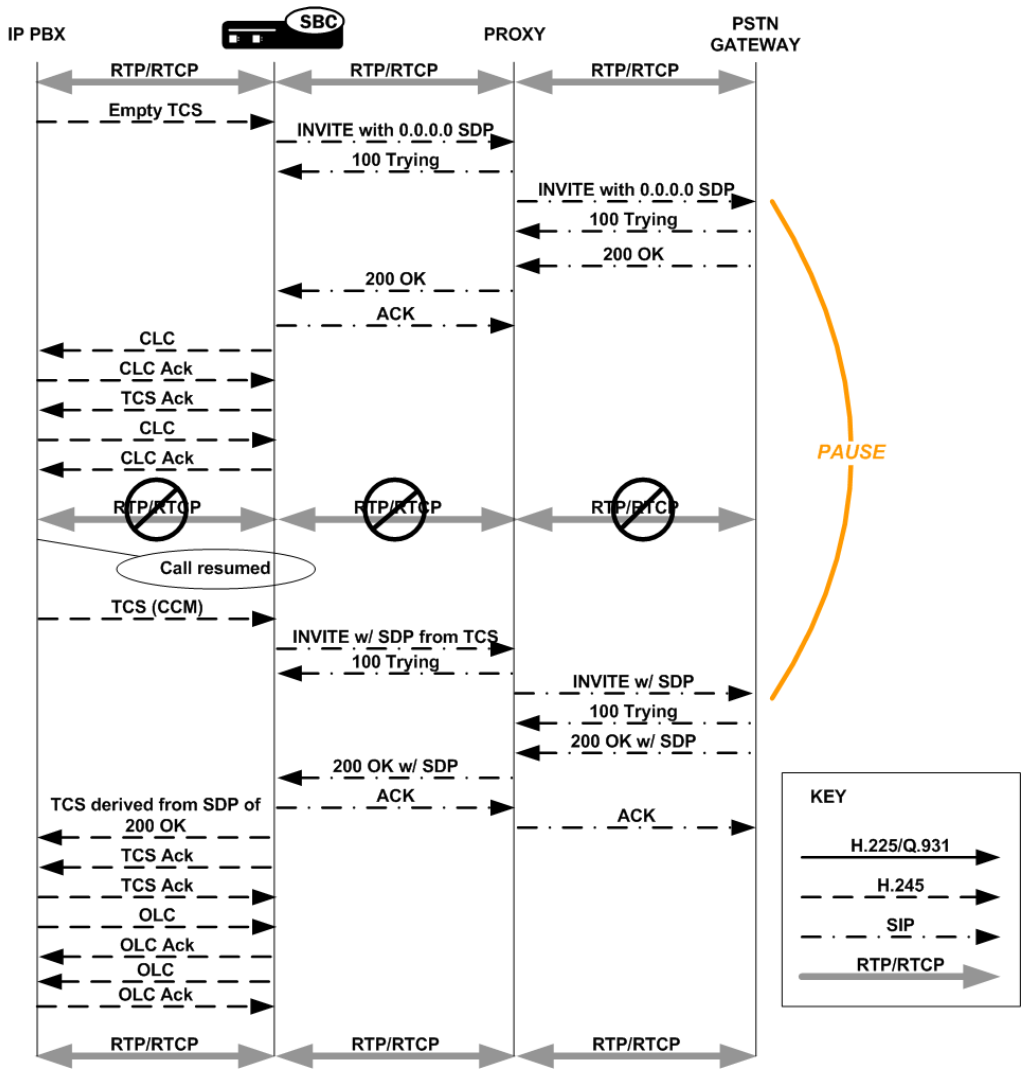
After the ringback tone, the proxy sends a 200 OK message with SDP to the system. The Oracle® Enterprise Session Border Controller sends a Connect message to the IP PBX A, and then it sends another SIP INVITE to the proxy that contains amended SDP (if that information about media is different from the default). After 200 OK and ACK messages are exchanged, media (RTP/RTCP) flow takes place.



## Hold

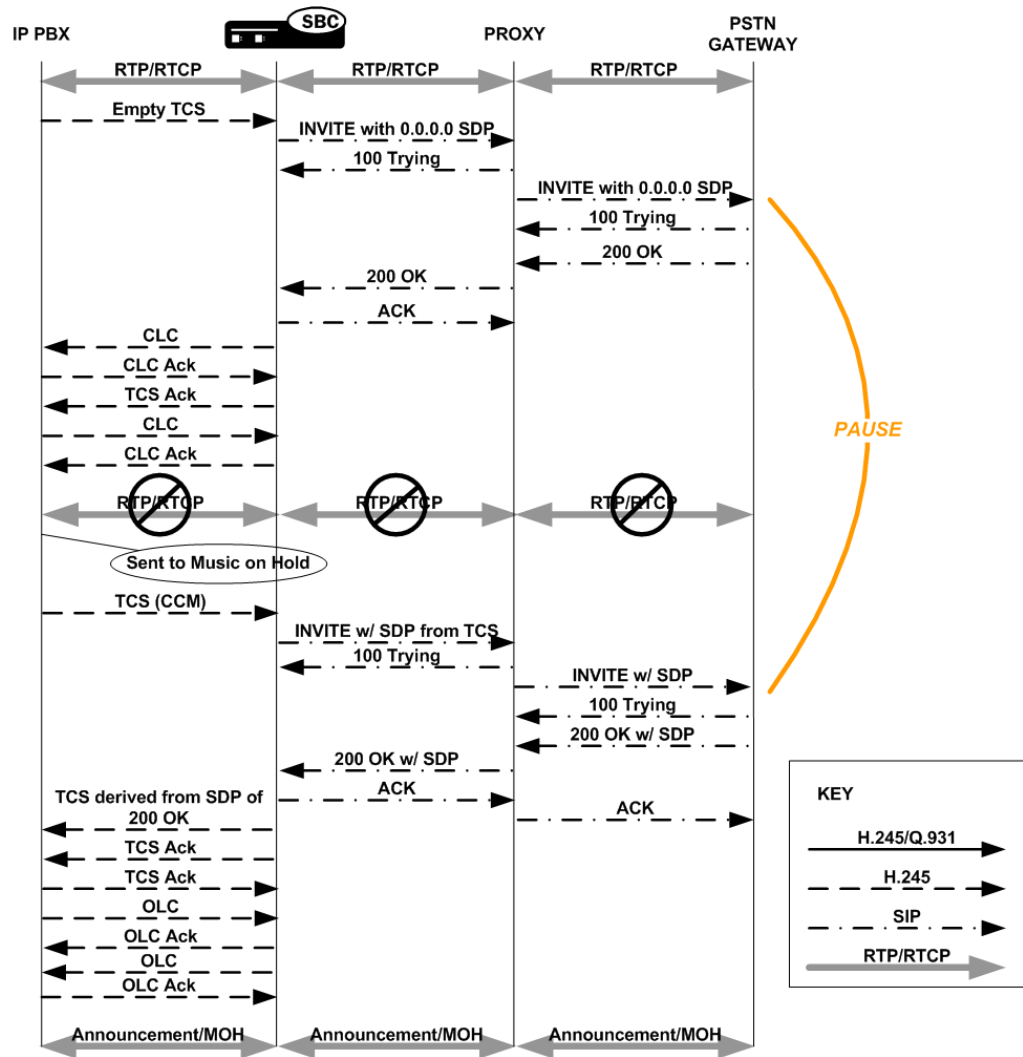
This sample call flow assumes that the IWF call is established and that the RTP/RTCP flow is already in progress. The hold button is pushed, and IP PBX A sends an empty TCS to the Oracle® Enterprise Session Border Controller. The Oracle® Enterprise Session Border Controller puts the called party on hold by sending an INVITE message with 0.0.0.0 SDP to the SIP side of the call. Using 0.0.0.0 as the media address effectively stops the media flow. This INVITE is acknowledged, and the Oracle® Enterprise Session Border Controller closes the channels on the H.323 side, halting the RTP/RTCP flow.

When the caller on the H.323 side takes the call off hold, it resumes with a TCS that the Oracle® Enterprise Session Border Controller receives and then translates on the SIP side as an INVITE with SDP. After that INVITE is acknowledged and received, the Oracle® Enterprise Session Border Controller opens logical channels on the H.323 side and RTP/RTCP flows resume.



### Music On Hold

This scenario is similar to the hold feature enabled for calls that require the IWF, except that after the RTP/RTCP flow between the H.323 and SIP sides stops, the call is sent to music on hold. Before the announcement or music plays, the Oracle® Enterprise Session Border Controller sets up the necessary support for media to be exchanged.



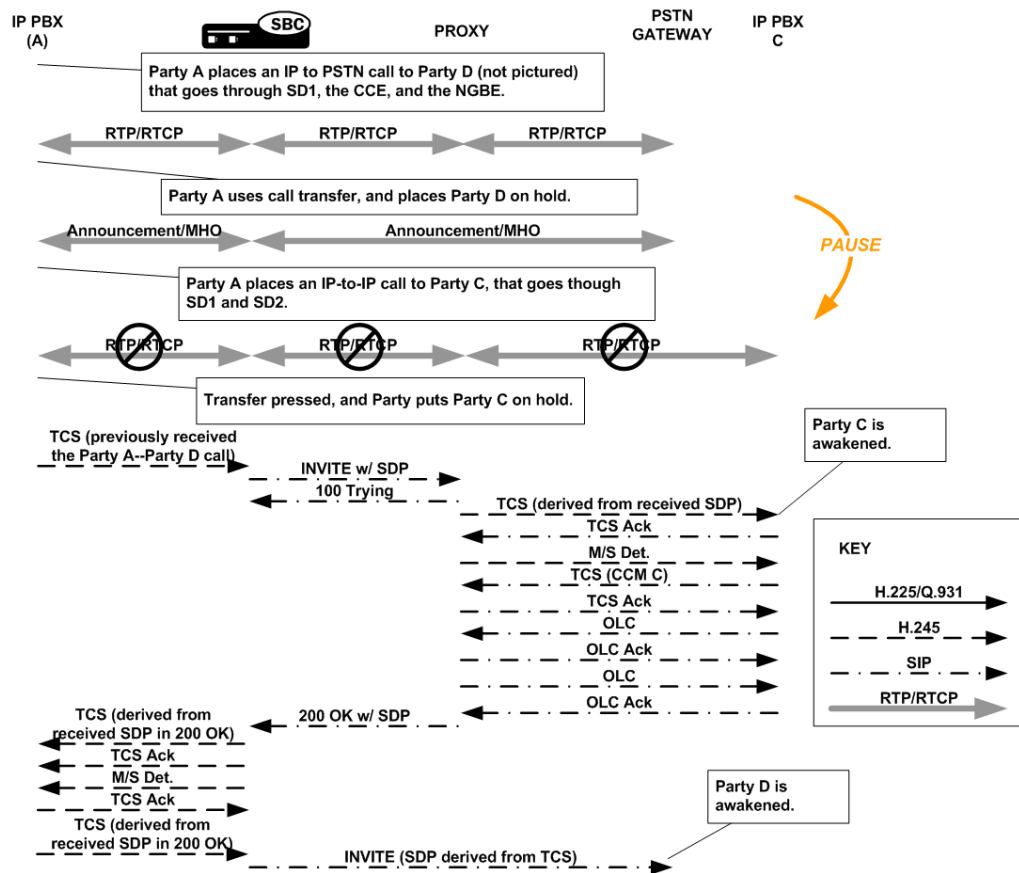
## Transfer

The call flow described in this section recalls the diagram at the top of the H.323 Endpoint-Originated Call Hold and Transfer section, where endpoints A, B, and C are H.323 devices and endpoint D is a SIP device. When you follow the signaling and media flows, note that there are two Oracle® Enterprise Session Border Controller s in the call transfer and two sets of SIP/H.323 translations that take place. The first Oracle® Enterprise Session Border Controller translates H.323 to SIP, and the second performs the same operations with the protocols reversed.

In the scenario pictured, Party A is on a call with Party D, but wants to transfer Party C to Party D. Party A places Party D on hold, and then makes the call to Party C. Party A then puts Party C on hold, pressing the transfer button. You can see that Oracle® Enterprise Session Border Controller 1 receives a TCS from the IP PBX, which is then translated to SIP. Oracle® Enterprise Session Border Controller 2 receives it, performs the required protocol translations, and then opens a session with Party C via another IP PBX. Once this session is up and Party D is awakened, channels are established for media exchange.

In order to redirect the media so that it flows between Party C and Party D, the Oracle® Enterprise Session Border Controller 1 and IP PBX C exchange OLC and OLC Ack messages that contain address information for Party C and for Party D. Address information for both parties is contained in the OLC Ack messages that the Oracle® Enterprise Session Border Controller exchanges with the IP PBX. IP PBX A does not move forward with the call until it has the necessary address information.

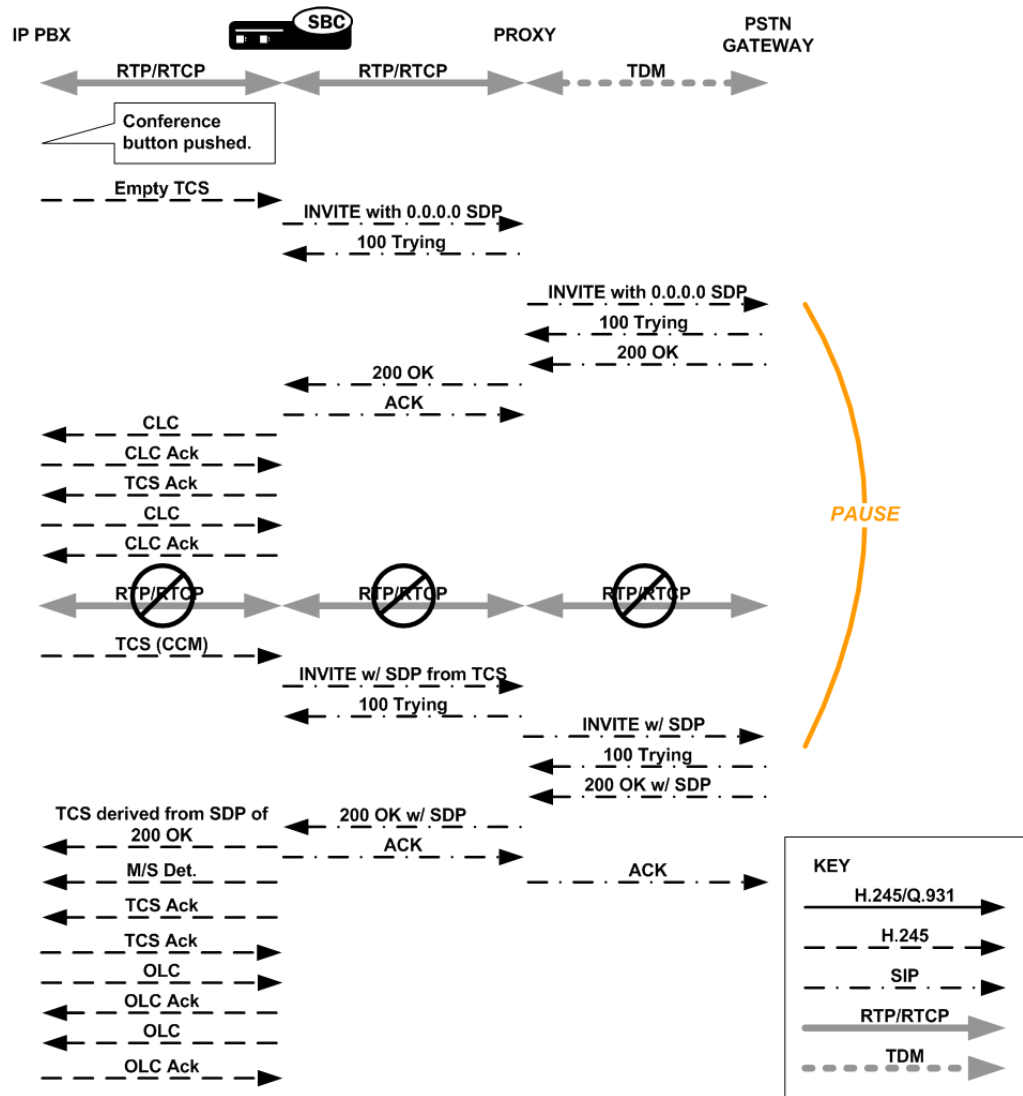
Even though Party A's participation in the call stops early in this scenario, the IP PBX with which it is associated keeps the signaling sessions with the Oracle® Enterprise Session Border Controller alive to manage the transfer.



## Conference

To conference a call that requires the IWF that starts in H.323, the Oracle® Enterprise Session Border Controller uses a scenario much like the one used for holding a call that requires the IWF. Here again, the INVITE with 0.0.0.0 as the media address and the closing of logical channels stops the flow of RTP/RTCP. After signaling and SDP/media information are re-established, RTP/RTCP for the conference flows.





## IWF Call Forwarding

This section describes the Oracle® Enterprise Session Border Controller's IWF Call Forwarding feature, which is supported for calls initiated in SIP that require interworking to H.323.

Prior to the implementation of this feature, the Oracle® Enterprise Session Border Controller did not forward calls when the remote H.323 endpoint sent a Facility message with Call deflection as the reason and an alternate address for forwarding. Instead, it would either:

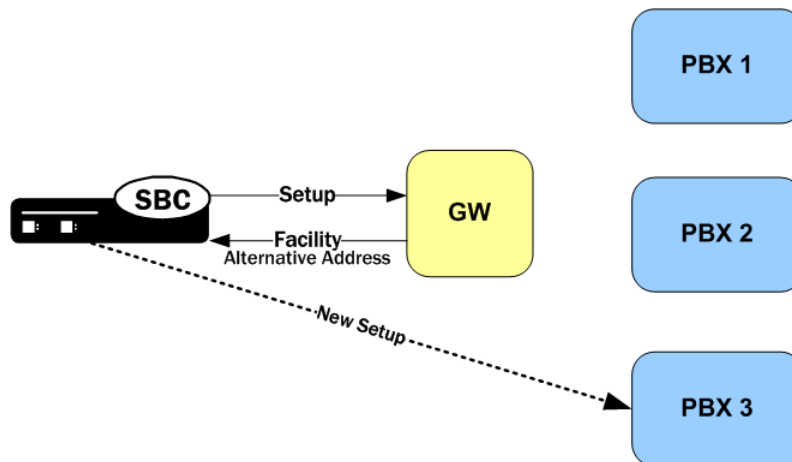
- Fail to release the initial call and initiate the forwarded call
- Drop the entire call when the remote endpoint for the call tore down the session

## New Behavior

In the diagram below, you can see that the Oracle® Enterprise Session Border Controller sends the initial Setup message to the gateway, and the gateway returns

the Facility message with an alternate address for forwarding. Rather than engaging in its former behavior, the Oracle® Enterprise Session Border Controller now releases the call with the gateway and sends a new Setup to the alternate address from the Facility message.

This new Setup up has no effect on the first call leg, which remains connected.



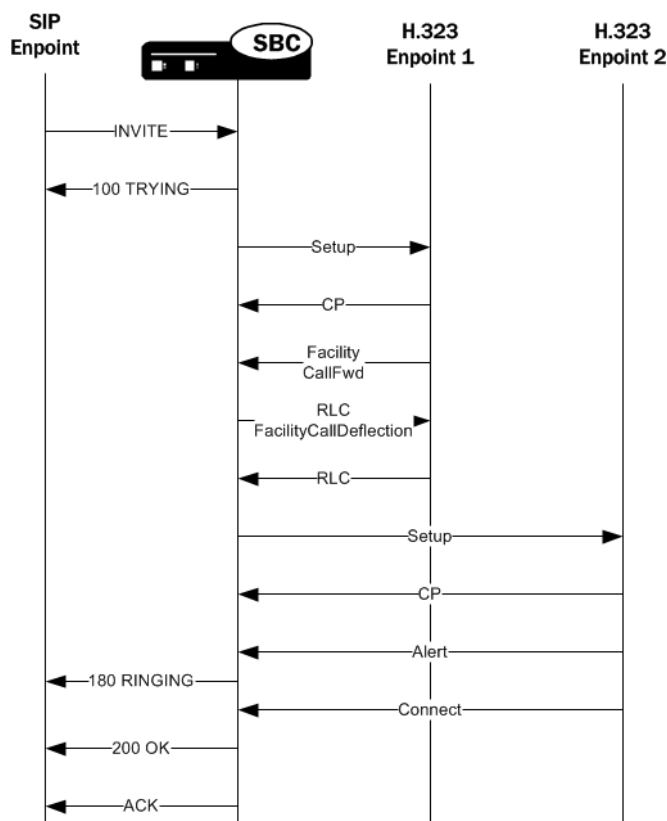
When it receives a Facility message with the reason CallForwarded, the Oracle® Enterprise Session Border Controller looks for an alternate transport address in the Facility's alternativeAddress or alternativeAliasAddress element. The Oracle® Enterprise Session Border Controller releases the egress call with the reason facilityCallDeflection. Then it takes one of two courses of action:

- If it does not find an alternative address, the Oracle® Enterprise Session Border Controller releases the ingress call (with 486 BUSY HERE for a call being interworked from SIP to H.323).

If it finds an alternative address and the egress call has not been alerted or answered, the Oracle® Enterprise Session Border Controller at this point tries to initiate a new egress call. The Oracle® Enterprise Session Border Controller uses the alternative alias address to populate the calledPartyNumber information element (IE) and the destination address of the new Setup.

## H.323 Sample Call Flow

The following diagram shows how the H.323 Call Forwarding feature works in a purely H.323 environment.



## Media Release for H.323 SS-FS Calls for IWF

When the Oracle® Enterprise Session Border Controller routes a slow-start to fast-start call, it is possible for the same fast-start call to be routed back through the Oracle® Enterprise Session Border Controller making for a hairpin flow. If it does become a hairpin flow, then the Oracle® Enterprise Session Border Controller routes it to its destination as a fast-start to fast-start call. This can result in one-way media if:

- The destination of the hairpin call is in the same realm as the originating slow-start to fast-start call
- The realm reference in the first bullet item is configured to disable in-realm media management
- The called endpoint accepts the proposed fast-start logical channels

The enhancements to the Oracle® Enterprise Session Border Controller's behavior described in this section show how the Oracle® Enterprise Session Border Controller follows additional procedures when setting up a hairpin flow to avoid one-way media when media release occurs.

### H.323

For H.323 calls, the Oracle® Enterprise Session Border Controller establishes media using the H.245 procedures described in the H.245 ITU-T recommendation: control protocol for multimedia communication. It also uses the Fast Connect procedure defined in the H.323 ITU-T recommendation: packet-based multimedia communication systems.

The latter ITU-T recommendation allows a calling endpoint to send a Setup message that contains a fastStart element, a sequence of OLC structures that describe the calling endpoint's proposed forward/reverse logical channels. If the called endpoint accepts this proposal, then logical channels are established.

When the Oracle® Enterprise Session Border Controller translates a call originating in slow-start to fast-start, it uses a Fast Connect procedure in the outgoing leg by sending an outgoing Setup that includes a fastStart element with one or more OLC structures. But when the Oracle® Enterprise Session Border Controller constructs this message, it is unaware of whether the call will become hairpinned or if media release will occur. Because it does not yet have this information, the Oracle® Enterprise Session Border Controller sets the Network Address and the TSAP identifier in the OLC structures to the ingress IP address and port of a corresponding media flow allocated for media traveling between the calling and called endpoints. So if the called endpoint accepts the fastStart the Oracle® Enterprise Session Border Controller proposes, the called endpoint would send its media to the Oracle® Enterprise Session Border Controller. After acceptance, the system starts H.245 procedures on the slow-start side of the call to set up logical channels on that side. Then the Oracle® Enterprise Session Border Controller updates the IP address and port of the media flows using OLC and OLCAck messages received from the calling endpoint.

This procedure works well for endpoints that are not in the same realm, or that are in the same realm for which media management is disabled, because each endpoint must send its media through the Oracle® Enterprise Session Border Controller. When the endpoints are in the same realm and when media management is enabled, however, the Oracle® Enterprise Session Border Controller must perform additional steps for media release in slow-start to fast-start calls.

To support media release in slow-start to fast-start calls, the Oracle® Enterprise Session Border Controller performs a hold-and-resume procedure on the fast-start side. After it establishes channels on the slow-start side and if it detects media release being enabled, the Oracle® Enterprise Session Border Controller sends an empty TCS to the fast-start side to put that side on hold. Then the called endpoint closes all the logical channels it previously opened in the Fast Connect procedure and stops transmitting to them. And the Oracle® Enterprise Session Border Controller also closes its logical channels. Once the channels are closed, the Oracle® Enterprise Session Border Controller resumes the call by sending a new, restricted TCS to the fast-start side. The restricted TCS only contains the receive and transmit capabilities of the codec types that the called endpoint accepted in the Fast Connect procedure, and it forces the called endpoint to re-open logical channels of the same codec types accepted in the Fast Connect procedure. Once it receives an OLC from the called endpoint, the Oracle® Enterprise Session Border Controller sends an OLCAck with the Network Address and TSAP identifier for the logical channel from the calling endpoint. Then the Oracle® Enterprise Session Border Controller re-opens logical channels (of the same codec types that it opened in the Fast Connect procedure). If the called endpoint has not changed its Network Address and TSAP identifier for its logical channels, media is re-established after the Oracle® Enterprise Session Border Controller and the called endpoint exit the hold state. The last step is for the Oracle® Enterprise Session Border Controller to re-send the full TCS message from the calling to the called endpoint to inform the called endpoint of the full capabilities of the calling endpoint.

## Hold-and-Resume Procedure

The hold-and-resume procedure has three states:

- **Media Hold**—Starts when the Oracle® Enterprise Session Border Controller sends the empty TCS to the called endpoint to put it on hold. When it detects media release, the Oracle® Enterprise Session Border Controller puts the called endpoint on hold. It can only do so if it has exchanged the TCS/TCSAck messages and completed master-slave determination with the calling endpoint.  
  
When the Oracle® Enterprise Session Border Controller receives a TCSAck in response to the empty TCS that it sent to the called endpoint, it closes the logical channels it opened as part of the Fast Connect procedure; the called endpoint likewise closes its logical channels. The two then exchange CLC and CLCAck messages, which signals the start of the Media Resume state.
- **Media Resume**—Starts when the Oracle® Enterprise Session Border Controller sends a restricted TCS to resume the call. The restricted TCS the Oracle® Enterprise Session Border Controller sends contains only the receive/transmit capabilities of the codec types previously accepted by the called endpoint in the Fast Connect procedure. This forces the called endpoint to re-open logical channels of the same codec type that were previously accepted in the Fast Connect procedure.  
  
After sending this TCS, the Oracle® Enterprise Session Border Controller is ready (as specified in the ITU-T recommendations) to take part on the master-slave determination (MSD) process. However, the called party and not the Oracle® Enterprise Session Border Controller initiates the MSD if it is required. The MSD is completed if necessary. Alternately, the called endpoint can start to re-open its logical channels. When it receives the first OLC from the called endpoint, the Oracle® Enterprise Session Border Controller also starts to re-open its logical channels.
- **Media Complete**—Starts when all the logical channels that the Oracle® Enterprise Session Border Controller re-opens are acknowledged by the called endpoint. When it enters the Media Complete state, the Oracle® Enterprise Session Border Controller updates the called endpoint with the full capabilities of the calling endpoint by sending the full TCS.

## Additional IWF Steps

For calls originating in slow-start H.323 that require interworking to SIP, the Oracle® Enterprise Session Border Controller also takes additional steps for media release in hairpinned flows that the Oracle® Enterprise Session Border Controller routes as SIP to fast-start H.323.

For such a call, after the Oracle® Enterprise Session Border Controller has established logical channels on the slow-start H.323 side of the call, it sends a reINVITE on the SIP side. This reINVITE has an updated session description to correct the media connection information. The Oracle® Enterprise Session Border Controller performs the hold-and-resume procedure on the fast-start side of the call. This procedure re-establishes the logical channels between the Oracle® Enterprise Session Border Controller and the called endpoint, avoiding the one-way media problem.

When you are configuring H.323 globally on your Oracle® Enterprise Session Border Controller, you might choose to set the noReInvite option. This option stops the Oracle® Enterprise Session Border Controller from sending a reINVITE after the logical channels are established on the slow-start H.323 side of the call. Instead, the Oracle® Enterprise Session Border Controller's H.323 task communicates internally

with its own SIP task a SIP UPDATE message that corrects the SDP; then the SIP task updates media flow destinations. But the Oracle® Enterprise Session Border Controller does not send the UPDATE to the next hop, which can result in the one-way media problem if the call is hairpinned and media release occurs. For such cases, the default behavior for the noReInvite option is overridden. When the Oracle® Enterprise Session Border Controller detects media release in an H.323-SIP call, it forwards the UPDATE to the next hop even when you enable the noReInvite option.

## Dependencies

This feature depends on:

- The H.323 endpoint supports the third-party-initiated pause and re-routing feature.
- The H.323 endpoint does not change its Network Address and TSAP identifier when it re-opens the logical channels.
- The H.323 endpoint does not immediately tear down the call when there is not established logical channel in the call.
- The fact that the SIP endpoint supports the UPDATE message if the noReInvite option is enabled.

## Before You Configure

The Oracle® Enterprise Session Border Controller 's IWF requires that there be complete configurations for both SIP and for H.323. These two sets of configurations function together when the interworking is configured and enabled.

You enable the Oracle® Enterprise Session Border Controller 's interworking capability when you set the IWF configuration's state parameter to enabled, and all required H.323 and SIP configurations are established. This means that all of the following configurations must be established:

- A full SIP configuration, including SIP interfaces, SIP ports, SIP-NATs (if needed), and SIP features
- A full H.323 configuration, including H.323 global and H.323 interface configurations
- Local policy and local policy attributes (the IWF will not work without these configurations)
- Media profiles
- Session agents and, if needed, session agent groups

## H.323 Configuration

You must have a complete configuration to support H.323 traffic on your Oracle® Enterprise Session Border Controller , including any required support for H.323 Fast Start or Slow Start.

In the H.323 interface configuration, you are able to configure interfaces that enable communication between H.323 devices (for audio, video, and/or data conferencing sessions).

If you know that your Oracle® Enterprise Session Border Controller will be handling traffic originating in Slow Start H.323, you must establish the appropriate list of

media profiles in the IWF configuration. Handling Slow Start traffic also requires that you establish appropriate local policy (and local policy attribute) configurations, but configuring session agents and session agent groups is optional.

## SIP Configuration

SIP functionality must also be configured on your Oracle® Enterprise Session Border Controller that will perform IWF translations. You must use appropriate local policy (and local policy attribute) configurations, but configuring session agents and session agent groups is optional. If you use session agents, then you must also configure the information you need for media profiles.

## The Role of Local Policy

You must configure local policies (and local policy attributes, if necessary) in order for translations between SIP and H.323 to take place. These local policies determine what protocol is used on the egress side of a session. Local policy and local policy attribute configurations make routing decisions for the session that are based on the next hop parameter that you set. The next hop can be any of the following:

- IPv4 address of a specific endpoint
- Hostname or IPv4 address of a session agent
- Name of a session agent group

You can use the application protocol parameter in the local policy attributes configuration as a way to signal the Oracle® Enterprise Session Border Controller to interwork the protocol of an ingress message into a different protocol as it makes its way to its egress destination (or next hop).

For example, if you set the application protocol parameter to SIP, then an inbound H.323 message will be interworked to SIP as it is sent to the next hop. An inbound SIP message would travel to the next hop unaffected. Likewise, if you set the application protocol parameter to H.323, then an incoming SIP message will be interworked to H.323 before the Oracle® Enterprise Session Border Controller forwards it to the next hop destination.

The following example shows a configured local policy and its attributes used for IWF traffic.

```

local-policy
  from-address
                                *
  to-address
                                444
  source-realm
                                *
  state
                                enabled
  last-modified-date
                                2004-04-20 17:43:13
  policy-attribute
    next-hop
                                sag:sag_internal
    realm
                                internal
    replace-uri
                                disabled
    carrier
    start-time
                                0000
    end-time
                                2400

```

days-of-week	U-S
cost	0
app-protocol	SIP
state	enabled
media-profiles	

## Local Policy in an IWF Session Initiated with H.323

In a session where the Oracle® Enterprise Session Border Controller is interworking H.323 to SIP, it internally forwards the session on for interworking when:

- The next hop in the local policy is configured as a SIP session agent
- The next hop in the local policy is configured as a SIP session agent group
- The next hop in the local policy is not configured as a session agent or session agent group, and the application protocol parameter is set to SIP in the local policy attributes configuration.

## Local Policy in an IWF Session Initiated with SIP

In a session where the Oracle® Enterprise Session Border Controller is interworking SIP to H.323, it internally forwards the session on for interworking when:

- The next hop in the local policy is configured as an H.323 session agent
- The next hop in the local policy is configured as an H.323 session agent group
- The next hop in the local policy is not configured as a session agent or session agent group, and the application protocol parameter is set to H.323 in the local policy attributes configuration  
In this case the local policy should also define the egress realm, which you can set in the realm parameter of the local policy attributes configuration.

## H.323-SIP Source Call Address Passthrough

For FCC auditing requirements, the Oracle® Enterprise Session Border Controller (E-SBC) can provide the originating IP address of endpoints using the Video Relay Service (VRS) service.

Because the FCC also requires h.323 for all calls between VRS vendors, the E-SBC passes the IP address and port information in the h.225 sourceCallSignalAddress through the h.323 Inter-working Function (IWF) function. You can extract the information from a SIP header parameter in the SIP message. You can use any SIP header parameter.

The SIP INVITE message includes a new header type called h225SourceCallSignalAddress. For example:

```
INVITE sip:1000@192.168.38.2:5060 SIP/2.0
Via: SIP/2.0/UDP 192.168.38.0:5060;branch=z9hG4bK55gtsj30181fr5etc7e1.1
Contact: "2000"<sip:2000@192.168.38.0:5060;transport=udp>
Supported: 100rel
From: "2000"<sip:2000@192.168.38.0:5060>;tag=5435c12f000e2e7b
To: <sip:1000@192.168.38.2:5060>
Call-ID: 00000100007f13ce5435c12f000ddcc4@127.0.0.1
h225SourceCallSignalAddress: 172.16.38.5:10005 <--New header type.
```



```
CSeq: 2 INVITE
Content-Length: 126
Content-Type: application/sdp
Max-Forwards: 70
```

```
v=0
o=IWF 1 1 IN IP4 192.168.38.0
s=H323 Call
c=IN IP4 192.168.38.0
t=0 0
m=audio 10000 RTP/AVP 0
a=rtpmap:0 PCMU/8000
```

You must enable and configure the **h225SourceCallSignalAddress** parameter on the E-SBC to perform IWF operations. You can enable and configure this parameter from the ACLI command line or from the Web GUI in Expert mode.

## Configure IWF

To enable the Inter-working Function (IWF) on your Oracle® Enterprise Session Border Controller :

1. Access the **iwf-config** configuration element.

```
ORACLE# configure terminal
ORACLE(configure)# session-router
ORACLE(session-router)# iwf-config
ORACLE(iwf-config)#
```

2. **state**—Enable this parameter if you want to translate SIP and H.323 sessions on your Oracle® Enterprise Session Border Controller . The default value is **disabled**. Valid values are:

- enabled | disabled

3. **media-profiles**—Enter the name of the media profiles you want to use for IWF translations. This name is either the name of an SDP codec (such as PCMU), or it can be telephone-event if you are configuring your system for DTMF support.

If you want to use more than one media profile for SIP/H.323 translations, enter the names in quotation marks with a space between each one.

```
ORACLE(iwf-config)# media-profiles "PCMU telephone-event"
```

4. **logging**—Enable this parameter if you want the Oracle® Enterprise Session Border Controller to log SIP messages that are related to the IWF. The default value is **disabled**. Valid values are:
  - enabled | disabled
5. **forward source call**—Type **enable** if you want to the Oracle® Enterprise Session Border Controller to add the **h225SourceCallSignalAddress** header to the egress SIP INVITE.
6. Type **done** to save your configuration.

## Topology Hiding for IWF with an Internal Home-Realm

You can configure the Oracle® Enterprise Session Border Controller to mask the IP address of the originating caller in the SIP From and/or P-Asserted-Identity headers when calls are placed from H.323 to SIP endpoints.

The option **NoPAssertedID** checks for incoming SETUP messages have the presentation indicator set to restricted and instructs the Oracle® Enterprise Session Border Controller to send a Privacy header without the P-Asserted-Identity and not to make the From header anonymous.

The option **replace-call-origin-ip** removes the calling party's IP address in the SIP From header. The IP address from the internal home realm is used instead.

The topology hiding feature uses the presentation indicator field from an inbound H.323 setup message to determine if/how the headers will be masked. The following table summarizes the configurable Oracle® Enterprise Session Border Controller parameters and the values for the From and P-asserted-identity headers.

H.255 Presentation Indicator Setting	P-Asserted-Identity Header Value	From Header Value	SD Session Agent Option
Allow	IP address from home realm of SD SIP Config	H.255 Calling Party IP/ Port	No Option Set
Allow	IP address from home realm of SD SIP Config	IP address of Home Realm SIP-Interface	NoPAssertedID
Allow	IP address from home realm of SD SIP Config	IP address of Home Realm SIP-Interface	replace-call-origin-ip
Allow	IP address from home realm of SD SIP Config	IP address of Home Realm SIP-Interface	replace-call-origin-ip, NoPAssertedID
Restricted	PAI Header not present	Anonymous	No Option Set
Restricted	PAI Header not present	Anonymous	NoPAssertedID
Restricted	PAI Header not present	Anonymous	replace-call-origin-ip
Restricted	PAI Header not present	Anonymous	NoPAssertedID, replace-call-origin-ip

## IWF Topology Hiding Configuration

To enable IWF topology hiding on your Oracle® Enterprise Session Border Controller :

1. In Superuser mode, type **configure terminal** and press Enter.

```
ORACLE# configure terminal
```

2. Type **session-router** and press Enter to access the signaling-level configuration elements.

```
ORACLE(configure)# session-router
ORACLE(session-router)#
```

3. Type **sip-config** and press Enter. The system prompt changes.

```
ORACLE(session-router)# session-agent
ORACLE(session-agent)#
```

4. Use the ACLI **select** command so that you can work with the session agent configuration to which you want to add these options.

```
ORACLE(session-agent)# select
```

5. **options**—Set the options parameter by typing **options**, a Space, the option name preceded by a plus sign (+) (**replace-call-origin-ip**), and then press Enter. Follow the same steps to add the **NoPAssertedID** option.

```
ORACLE(session-agent)# options +replace-call-origin-ip
ORACLE(session-agent)# options +NoPAssertedID
```

**If you type either of these options without the plus (+) sign, you will remove any previously configured options. In order to append the new option to the options list, you must prepend the new option with a plus sign as shown in the example above.**

## DTMF Support

For calls that require the IWF, you can enable support for the relay of RFC 2833 DTMF digits. The availability of this feature means that the Oracle® Enterprise Session Border Controller is compliant with RFC 2833, which defines two payload formats for DTMF digits. To learn more about this RFC, refer to <http://www.ietf.org/rfc/rfc2833.txt>.

Until the exchange of TCS messages with the H.323 endpoint, the Oracle® Enterprise Session Border Controller has no information about the endpoint's RFC 2833 capabilities. The Oracle® Enterprise Session Border Controller adds telephone-event to the SDP on the SIP side of the call.

For calls that require SIP/H.323 translation, you can enable support for the relay of RFC 2833 DTMF digits.

To use this feature, you need to configure a media profile called telephone-event and set relevant parameters for it. Application of the media profile can happen either in a session agent configuration or in the IWF configuration.

- The **name** parameter in the media profiles configuration
- The **media-profiles** list in the IWF configuration
- The **media-profiles** list in the session agent configuration

All of the scenarios outlined here assume that you have established a telephone-event media profile configuration.

You can configure DTMF support using the following parameters. The way that the Oracle® Enterprise Session Border Controller uses these values is described below. The payload type, part of the media profiles configuration, is dynamic and varies with different endpoints, so there is no default configuration for the telephone-event media profile.

The telephone-event media profile is used as follows in these types of IWF sessions:

- **Calls that require the IWF originating in H.323 Slow Start**—There is no channel (media) information available on the H.323 side.
  - If the incoming H.323 endpoint is configured as a session agent on the Oracle® Enterprise Session Border Controller, then the telephone-event parameter in the media profiles set for that session agent configuration will be used in the SDP on the SIP side of the session.
  - If the H.323 endpoint is not a session agent or the telephone-event media profile is not configured in the session agent configuration corresponding to the endpoint, then the Oracle® Enterprise Session Border Controller refers to the media profile information configured for the IWF configuration.
- **Calls that require the IWF originating in SIP**—If the TCS was not exchanged before a 200 OK was sent on the SIP side, the Oracle® Enterprise Session Border Controller will behave in one of these two ways.
  - If the outbound H.323 endpoint is configured as a session agent, then the media profiles from that session agent configuration will be used.
  - If the outbound H.323 endpoint is not configured as a session agent, the media profile configured within the IWF configuration with the telephone-event value will be used.

As mentioned above, DTMF support is configured by using a combination of the telephone-event media profile and either the session agent or IWF configuration. First you set up the media profile, then you apply it to a session agent or to the IWF configuration.

## DTMF Configuration

DTMF support requires you to configure a media profile named telephone-event. This section shows you how to set it up.

To configure a telephone-event media profile:

1. In Superuser mode, type **configure terminal** and press Enter.

```
ORACLE# configure terminal
```

2. Type **session-router** and press Enter to access the session-related configurations.

```
ORACLE(configure)# session-router
```

3. Type **media-profile** and press Enter. The system prompt changes to let you know that you can begin configuring individual parameters.

```
ORACLE(session-router)# media-profile
```

From this point, you can configure parameters for media profiles. To view see all media profile configuration parameters, enter a **?** at the system prompt.

4. **name**—Enter the name telephone-event and press Enter.
5. **parameters**—Enter the parameters to be applied for the codec; these are the digits that endpoints can support.
6. **media-type**—Leave the default media type set to audio.

7. **payload-type**—Set the payload type to **101**, which is the dynamic payload type needed to support this feature.
8. **transport**—Leave the default transport protocol set to RTP/AVP.
9. **frames-per-packet**—You can leave this parameter set to **0** (default).
10. **req-bandwidth**—You can leave this parameter set to **0** (default).

## Applying the Media Profile

After you have configured the telephone-event media profile, you need to apply it either to a H.323 session agent or the global IWF configuration.

## DTMF for all IWF translations

To use DTMF for all IWF translations:

1. In Superuser mode, type **configure terminal** and press Enter.

```
ORACLE# configure terminal
```

2. Type **session-router** and press Enter to access the session-related configurations.

```
ORACLE(configure)# session-router
```

3. Type **iwf-config** and press Enter. The system prompt changes to let you know that you can begin configuring individual parameters.

```
ORACLE(session-router)# iwf-config
```

From this point, you can configure IWF parameters. To view see all IWF configuration parameters, enter a **?** at the system prompt.

4. Add the telephone-event media profile to the media profiles list and save your work. If you already have a media profiles for the IWF configuration set up and want to keep them (adding telephone-event to the list), then you must type in all of the media profiles that you want to use.

```
ORACLE(iwf-config)# media-profiles "PCMU telephone-event"  
ORACLE(iwf-config)# done
```

## DMTF Support on a Per-Session-Agent Basis

To use DMTF support on a per-session-agent basis:

1. In Superuser mode, type **configure terminal** and press Enter.

```
ORACLE# configure terminal
```

2. Type **session-router** and press Enter to access the session-related configurations.

```
ORACLE(configure)# session-router
```

3. Type **session-agent** and press Enter. The system prompt changes to let you know that you can begin configuring individual parameters.

```
ORACLE(session-router)# session-agent
```

From this point, you can configure IWF parameters. To view see all IWF configuration parameters, enter a **?** at the system prompt.

4. When you configure a new H.323 session agent, you can configure DTMF support by simply adding the telephone-event media profile to the list of media profiles. You can add it along with the other media profiles you might want to use for that session agent.

```
ORACLE(session-agent)# media-profiles "telephone-event g711Ulaw64k"
```

5. When you want to add DTMF support to an H.323 session agent that you have already configured, you need to select that session agent, add the media profile, and save your work.

```
ORACLE(session-agent)# select
<hostname>:
1: 192.168.1.48 realm=          ip=
2: 192.168.1.49 realm=          ip=
3: 192.168.1.50 realm=external ip=
selection:3
ORACLE(session-agent)# media-profiles "telephone-event g711Ulaw64k"
ORACLE(session-agent)# done
```

## RFC 2833 DTMF Interworking

This section explains the Oracle® Enterprise Session Border Controller's support of transporting Dual Tone Multi-Frequency (DTMF) in Real-Time Transport Protocol (RTP) packets (as described in RFC 2833) to H.245 User Input Indication (UII) or SIP INFO method interworking.

Multimedia devices and applications must exchange user-input DTMF information end-to-end over IP networks. The Oracle® Enterprise Session Border Controller provides the interworking capabilities required to interconnect networks that use different signaling protocols. Also, the Oracle® Enterprise Session Border Controller provides DTMF translation to communicate DTMF across network boundaries.

The Oracle® Enterprise Session Border Controller supports:

- RFC 2833 to H.245 UII translation for H.323-to-H.323 calls, when one side is a version 4 H.323 device requiring RFC-2833 DTMF event packets, and the other side is a pre-version 4 H.323 device that only uses H.245 UII.
- RFC 2833 to H.245 UII or INFO translation of H.323 to SIP (and SIP to H.323) IWF calls, when one side is a version 4 H.323 device requiring RFC 2833 DTMF event packets and the SIP endpoint only supports INFO messages. Or when one side is a pre-version 4 H.323 device that only uses H.245 UII and the SIP endpoint supports RFC-2833 DTMF event packets.

## About RFC 2833

RFC 2833 specifies a way of encoding DTMF signaling in RTP streams. It does not encode the audio of the tone itself, instead a signal indicates the tone is being sent. RFC 2833 defines how to carry DTMF events in RTP packets. It defines a payload format for carrying DTMF digits used when a gateway detects DTMF on the incoming messages and sends the RTP payload instead of regular audio packets.

## About H.245 UII

H.245 provides a capability exchange functionality to allow the negotiation of capabilities and to identify a set of features common to both endpoints. The media and data flows are organized in logical channels. H.245 provides logical channel signaling to allow logical channel open/close and parameter exchange operations. The H.245 signaling protocol is reliable, which ensures that the DTMF tones will be delivered.

H.245 User Input Indication (UII) plays a key role in all the services that require user interaction. For video messaging, typical uses of UII include selection of user preferences, message recording and retrieval, and typical mailbox management functions. H.245 UII provides two levels of UII, alphanumeric and signal.

## About RFC 2833 to H.245 UII Interworking

The Oracle® Enterprise Session Border Controller provides 2833 to H.245-UII interworking by checking 2833-enabled RTP streams for packets matching the payload type number for 2833. It then sends the captured packet to the host for processing and translation to H.245 UII messages. A H.245 UII message received by the Oracle® Enterprise Session Border Controller is translated to 2833 packets and inserted into the appropriate RTP stream.

## About DTMF Transfer

DTMF transfer is the communication of DTMF across network boundaries. It is widely used in applications such as interactive voice response (IVR) and calling card applications.

The multiple ways to convey DTMF information for packet-based communications include:

- In-band audio: DTMF digit waveforms are encoded the same as voice packets. This method is unreliable for compressed codecs such as G.729 and G.723
- Out-of-band signaling events:  
H.245 defines out-of-band signaling events (UII) for transmitting DTMF information. The H.245 signal or H.245 alphanumeric methods separate DTMF digits from the voice stream and send them through the H.245 signaling channel instead of through the RTP channel. The tones are transported in H.245 UII messages.

All H.323 version 2 compliant systems are required to support the H.245 alphanumeric method, while support of the H.245 signal method is optional.

SIP INFO – uses the SIP INFO method to generate DTMF tones on the telephony call leg. The SIP INFO message is sent along the signaling path of the call. Upon

receipt of a SIP INFO message with DTMF content, the gateway generates the specified DTMF tone on the telephony end of the call.

- RTP named telephony events (NTE): uses NTE to relay DTMF tones, which provides a standardized means of transporting DTMF tones in RTP packets according to section 3 of RFC 2833.

Of the three RTP payload formats available, the Oracle® Enterprise Session Border Controller supports RTP NTE. NTE is most widely used for SIP devices but is also supported in H.323 version 4 or higher endpoints.

RFC 2833 defines the format of NTE RTP packets used to transport DTMF digits, hookflash, and other telephony events between two peer endpoints. With the NTE method, the endpoints perform per-call negotiation of the DTMF transfer method. They also negotiate to determine the payload type value for the NTE RTP packets.

The NTE payload takes the place of codec data in a standard RTP packet. The payload type number field of the RTP packet header identifies the contents as 2833 NTE. The payload type number is negotiated per call. The local device sends the payload type number to use for 2833 telephone event packets using a SDP or H.245 Terminal Capability Set (TCS), which tells the other side what payload type number to use when sending the named event packets to the local device. Most devices use payload type number 101 for 2833 packets, although no default is specified in the standard.

The 2833 packet's RTP header also makes use of the timestamp field. Because events often last longer than the 2833 packets sending interval, the timestamp of the first 2833 packet an event represents the beginning reference time for subsequent 2833 packets for that same event. For events that span multiple RTP packets, the RTP timestamp identifies the beginning of the event. As a result, several RTP packets might carry the same timestamp.

See RFC 2833 and draft-ietf-avt-rfc2833bis-07.txt for more information.

## Preferred and Transparent 2833

To support preferred (signaled) 2833 and transparent 2833, the Oracle® Enterprise Session Border Controller provides 2833 detection and generation (if necessary) when the endpoint signals support for 2833.

- Preferred: the Oracle® Enterprise Session Border Controller only generates and detects 2833 for endpoints if they negotiate support for 2833 through signaling
- Transparent: the Oracle® Enterprise Session Border Controller offers and answers based on end-to-end signaling and transparently relaying 2833

## Preferred 2833 Support

If one side of the call, or a SIP interface, or a session agent, is configured for preferred 2833, the Oracle® Enterprise Session Border Controller only generates and detects 2833 for endpoints if they signal support for 2833. The Oracle® Enterprise Session Border Controller will offer 2833 in the TCS SDP, even if the originating caller did not.

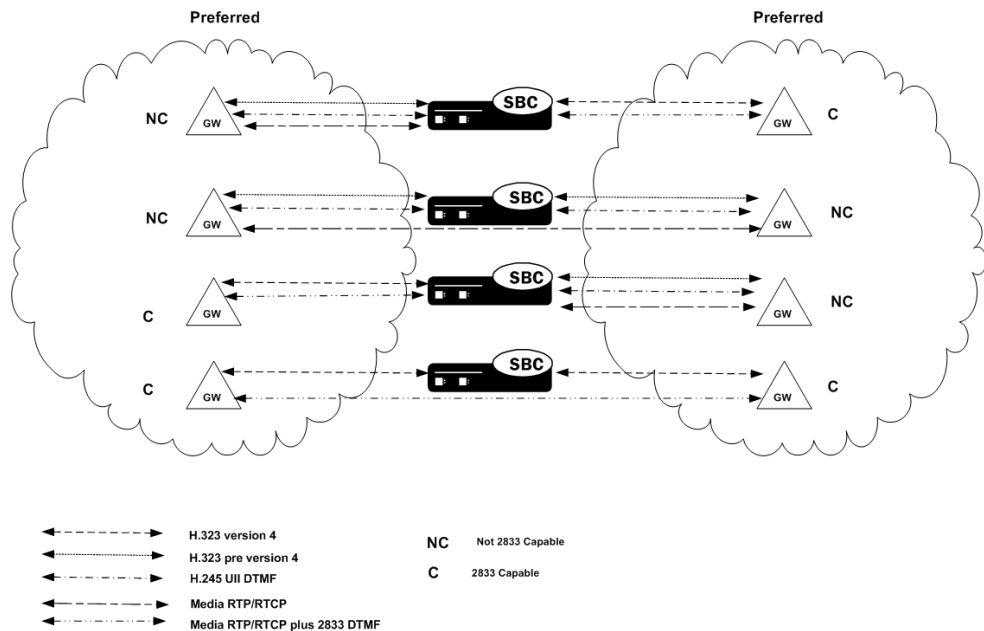
- When the Oracle® Enterprise Session Border Controller manages calls originating from a preferred source going to a preferred target, it:  
Performs 2833 translation for an endpoint when the originating side requests 2833 but the target does not negotiate 2833



Allows 2833 to pass through if the originating side and target of the call are configured as preferred and negotiate 2833

- When the Oracle® Enterprise Session Border Controller manages calls originating from a preferred source going to a transparent target, it:  
Performs 2833 translation when the originating side requests 2833 but the target is configured as transparent and does not negotiate 2833.

Allows 2833 to pass through if the originating side and the target of the call are configured as transparent and negotiate 2833. The Oracle® Enterprise Session Border Controller does not perform active translation because both ends support 2833.



If one SIP endpoint does not signal 2833 capability, but the other SIP or H.323 endpoints do, the Oracle® Enterprise Session Border Controller does not perform 2833 translation.

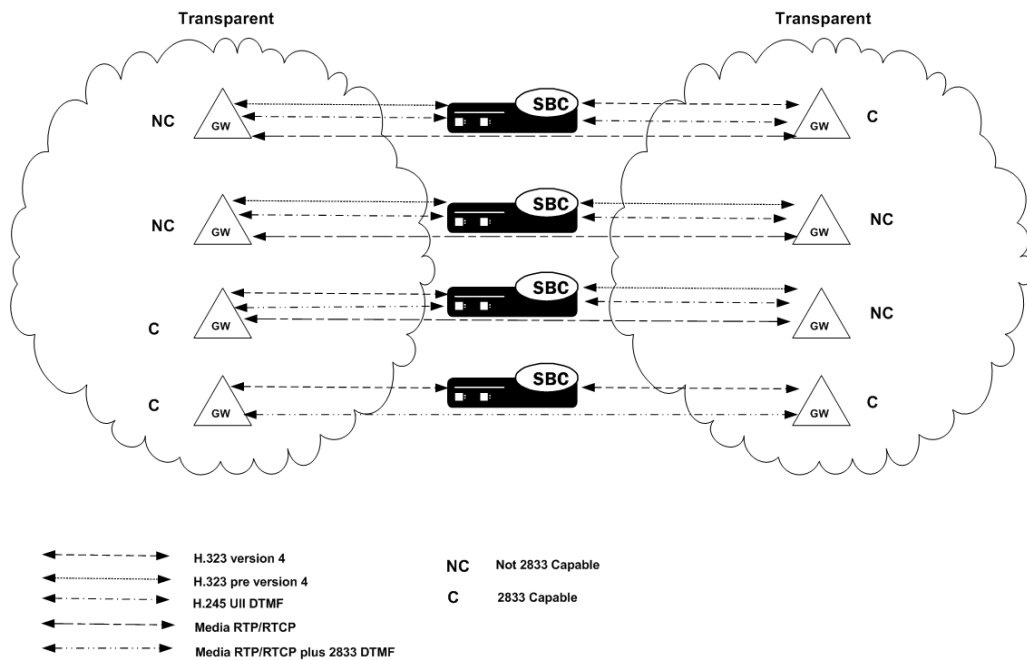
## Transparent 2833 Support

The default configuration of the Oracle® Enterprise Session Border Controller for H.323 is transparent 2833. The Oracle® Enterprise Session Border Controller passes on the offered capabilities to the next-hop signaling element. If the next-hop endpoint is for a transparent 2833 target, typical capability negotiation determines the DTMF method. The Oracle® Enterprise Session Border Controller transparently relays the DTMF as it has in previous releases.

With transparent 2833, the Oracle® Enterprise Session Border Controller acts as a typical B2BUA or B2BGW/GK. However when the target of the call is configured as preferred 2833, the Oracle® Enterprise Session Border Controller:

- Relays the 2833 packets if the originating endpoint signals 2833 and the next-hop endpoint for the preferred target signals 2833
- Performs 2833 translation if the originating endpoint does not signal 2833 and the next-hop endpoint for the preferred target does signal 2833

- Does not perform 2833 translation or transparently relay 2833 if the originating endpoint signals 2833 and the next-hop endpoint for the preferred target (or even a transparent 2833 target) does not signal 2833.



## Payload Type Handling

The Oracle® Enterprise Session Border Controller supports the RTP NTE for telephony events such as transport of DTMF digits and hook flash. Using RTP NTE, endpoints perform per-call negotiation of the DTMF transfer method and negotiate payload type value for the RTP NTE packets.

Although most endpoints use payload type number 101, the RTP payload type formats can become asymmetrical when being interworked between SIP and H.323 because there is no default standard and endpoints use different types. This means that the payload type negotiated on one side of the Oracle® Enterprise Session Border Controller, and that ends up being used for the call, might not be the same payload type negotiated on the other side of the Oracle® Enterprise Session Border Controller. And while certain endpoints handle the asymmetry well, others do not.

Consider the simplified example of an IWF call initiated in SIP and translated to H.323. In this scenario, the SIP endpoint negotiates the payload type 106 with the Oracle® Enterprise Session Border Controller. And despite the fact that the H.323 endpoint negotiates payload type 101, the Oracle® Enterprise Session Border Controller returns type 106 and the call proceeds using type 106.

However, you can enable forced symmetric payload type handling so the Oracle® Enterprise Session Border Controller changes the payload type of RFC 2833 packets to avoid using asymmetrical payload types.

For H.323 session agents and H.323 interfaces (stacks), you can configure an option that forces symmetric payload type use. The Oracle® Enterprise Session Border Controller can detect when the payload types negotiated by the SIP and H.323 endpoints are symmetrical and when they are not. When it detects asymmetrical

payload type use, the Oracle® Enterprise Session Border Controller forces the remote endpoint to use the RFC 2833 payload type you configure in the SIP interface.

## Basic RFC 2833 Negotiation Support

If H.323, SIP, or session agents on either side of the call are configured for preferred 2833 support, the Oracle® Enterprise Session Border Controller supports end-to-end signaled negotiation of DTMF on a call-by-call basis. If the calling party is not configured for preferred support but sends 2833, the Oracle® Enterprise Session Border Controller sends 2833 to the next-hop called party. If the calling party sends H.245 signals or alphanumeric UII, the Oracle® Enterprise Session Border Controller sends H.245 signals or alphanumeric UII to the next-hop called party (if it is an H.323 next-hop).

The Oracle® Enterprise Session Border Controller also supports hop-by-hop negotiation of DTMF capability on a call-by-call basis, if the signaling protocols or session agents on either side of the call are configured for preferred 2833 support.

## H.323 to H.323 Negotiation

The Oracle® Enterprise Session Border Controller serves as the H.323 called gateway. It answers RFC 2833 audio telephony event capability in the version 4 H.323/H.245 TCS when it receives a call from an H.323 endpoint configured for preferred RFC 2833.

If the Oracle® Enterprise Session Border Controller is the answering device, configured for preferred support, and the calling device sends 2833, the Oracle® Enterprise Session Border Controller accepts the 2833 regardless of the next-hop's DTMF capabilities. The received dynamic RTP payload type is used for detecting 2833 packets, while the response dynamic payload type is used for generating 2833 packets.

The Oracle® Enterprise Session Border Controller supports:

- RFC-2833 audio telephony events in the version 4 H.323/H.245 TCS as the H.323 calling gateway, when the Oracle® Enterprise Session Border Controller calls an H.323 endpoint configured for preferred RFC 2833 support. The Oracle® Enterprise Session Border Controller sends 2833 to the called party regardless of whether the calling party sends it.
- H.245 UII and RFC-2833 packets sent at the same time, to the same endpoint, even if only half of the call is being provided 2833 support by the Oracle® Enterprise Session Border Controller.  
If one half of the call supports H.245 UII, and the other half is being provided 2833 translation by the Oracle® Enterprise Session Border Controller, the Oracle® Enterprise Session Border Controller can also forward the H.245 UII it receives to the 2833 endpoint. For example, when the signaling goes through a gatekeeper or third party call control, sending the H.245 UII in the signaling path allows those devices to learn the DTMF digits pressed.

## Signal and Alpha Type Support

The Oracle® Enterprise Session Border Controller supports:

- H.245 signal and alpha type UII in the H.323/H.245 TCS as the H.323 calling gateway when the:

Oracle® Enterprise Session Border Controller calls an H.323 endpoint configured for transparent 2833 support

calling endpoint's target is configured as preferred

If the originating preferred side also sends 2833, the Oracle® Enterprise Session Border Controller forwards it to the transparent side. The Oracle® Enterprise Session Border Controller sends signal and alpha UII support to the called party regardless of whether the calling party sends it, if the call originates from a preferred side to a transparent side.

- H.245 alphanumeric UII for DTMF for H.323 endpoints that do not signal 2833 or contain explicit H.245 UII capability, for stacks configured for transparent 2833 support.  
When the other half of the call is an H.323 endpoint of a stack configured for preferred 2833, the Oracle® Enterprise Session Border Controller translates incoming H.245 UII on the transparent side, to 2833 packets on the preferred side, and vice versa. If the other half of the call is an H.323 endpoint of a transparent stack, the Oracle® Enterprise Session Border Controller relays the H.245 UII messages.
- H.245 signal type UII for DTMF for H.323 endpoints that do not signal 2833, but do signal explicit H.245 UII capability, for stacks configured for transparent 2833 support.  
When the other half of the call is an H.323 endpoint of a stack configured for preferred 2833, the Oracle® Enterprise Session Border Controller translates incoming H.245 signaled UII on the transparent side, to 2833 packets on the preferred side, and vice versa. If the other half of the call is an H.323 endpoint of a transparent stack, the Oracle® Enterprise Session Border Controller relays the H.245 UII messages if both sides support it.

## H.323 to SIP Calls

This section explains DTMF interworking specific to H.323 to SIP calls.

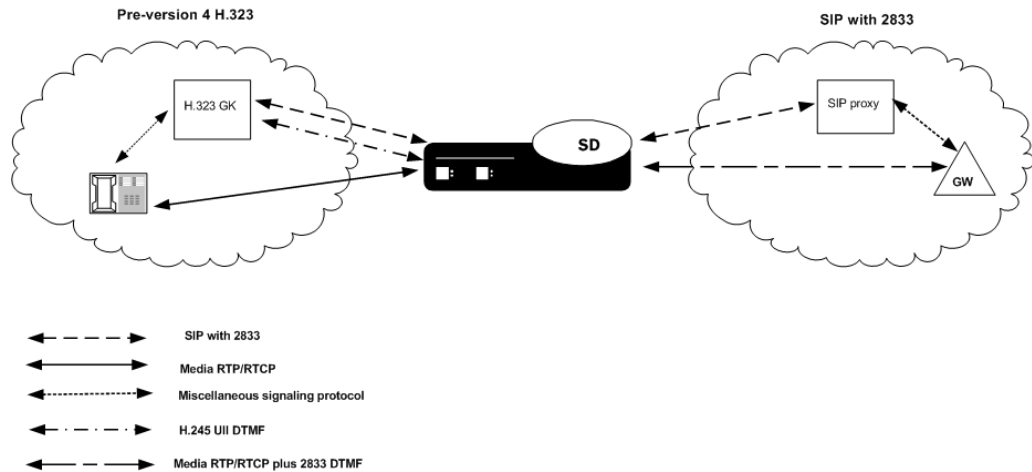
### SIP Endpoints

SIP endpoints include those that support:

- RFC 2833
- SIP INFO method

## H.323 Non-2833 Interworking with SIP

RFC 2833 and the SIP INFO method can be used for conveying DTMF information for SIP based-services. (RFC 2833 is the most widely used.) To provide end-to-end DTMF for SIP devices supporting RFC-2833 interworking with H.323 devices that do not, an RFC 2833 to H.323 UII interworking function is provided.



## How H.323 to SIP Calls Work

For H.323 to SIP IWF calls, if 2833-related information is to be sent in the INVITE, the SIP interface of the SIP session agent has to be configured with the **rfc2833-mode** parameter set to preferred.

The following example shows an INVITE without 2833 in the SDP:

```
Apr  5 04:28:50.073 On 127.0.0.1:5070 sent to 127.0.0.1:5060
INVITE sip:780@192.168.200.6:5060 SIP/2.0
Via: SIP/2.0/UDP
127.0.0.1:5070;branch=z9hG4bKIWF0000g12018604agg71c0;acme_irealm=external;acme_sa=192.168.1.6
Contact: "jdoe"<sip:127.0.0.1:5070>
GenericID: 114421133000000@000825010100
Supported: 100rel^M
From: "msmith"<sip:192.168.200.68:5060>;tag=000000ab00011940
To: <sip:780@192.168.200.6:5060>
Call-ID: 7f00000113ce000000ab000101d0@127.0.0.1
CSeq: 2 INVITE
Content-Length: 225
Content-Type: application/sdp
v=0
o=IWF 3 3 IN IP4 192.168.1.6
s=H323 Call
c=IN IP4 192.168.1.6
t=0 0
m=audio 5214 RTP/AVP 0 18
a=rtpmap:0 PCMU/8000/1
a=rtpmap:18 G729/8000/1
a=fmtp:18 annexb=no
m=video 5216 RTP/AVP 31
a=rtpmap:31 H261/9000/1
```

## SIP INFO—RFC 2833 Conversion

The Oracle® Enterprise Session Border Controller can perform SIP INFO—RFC 2833 conversion. The Oracle® Enterprise Session Border Controller also provides a way for you to enable a dual conversion mode, where the Oracle® Enterprise Session Border Controller:

- Inserts telephone-event in the SDP offer
- Generates both RFC 2833 event packets and SIP INFO messages regardless of whether or not the SDP offer indicates RFC 2833

You can enable this feature either for SIP interfaces or session agents. The following apply:

- If the next hop SIP interface or session agent's **rfc2833-mode** is set to preferred, then the SD inserts RFC 2833 into the SDP offer/answer. This occurs regardless of whether:
  - The original SDP on the opposite side of the call does not support RFC 2833
  - The opposite side's SIP interface or session agent is set to transparent mode
- If the next hop SIP interface or session agent is set to transparent, then the behavior of the Oracle® Enterprise Session Border Controller depends on the previous hop.
  - If the previous hop is a SIP interface or session agent configured for transparent mode, then the S Oracle® Enterprise Session Border Controller does not perform any conversion.
  - If the previous hop is a SIP interface or session agent configured for preferred mode, the Oracle® Enterprise Session Border Controller does not insert RFC-2833 into the SDP on the transparent side. It does, however, translate from RFC 2833 to SIP INFO if the originating endpoint supports RFC 2833.

## IPv6 SIP INFO to RFC 2833 Telephone Event Interworking

The Oracle® Enterprise Session Border Controller can interwork SIP INFO and RFC Telephone Event messages for IPv4, IPv6—or for any session requiring interworking between IPv4 and IPv6. Other than installing the applicable licences on your Oracle® Enterprise Session Border Controller and enabling IPv6 support in your system configuration (**system-config**), you do not have to perform any configuration steps for this capability to work.

## RFC 2833 Interworking Configuration

This section explains how to configure RFC 2833 to H.245 User Input Indication (UII) or SIP INFO method interworking.

## RFC 2833 Mode for H.323 Stacks

To configure RFC 2833 mode for H.323 stacks:

1. In Superuser mode, type **configure terminal** and press Enter.

```
ORACLE# configure terminal
```

2. Type **session-router** and press Enter to access the media-related configurations.

```
ORACLE(configure)# session-router
```

3. Type **h323** and press Enter.

```
ORACLE(session-router)# h323
```

4. Type **h323-stacks** and press Enter.

```
ORACLE(h323)# h323-stacks  
ORACLE(h323-stack)#
```

From this point, you can configure H.323 stack parameters. To view all H.323 stack parameters, enter a **?** at the system prompt.

5. **rfc2833-mode**—Set the RFC2833 mode. The default value is **transparent**. Valid values are:
  - **transparent**—The Oracle® Enterprise Session Border Controller and H.323 stack behave exactly the same way as before and the 2833 or UII negotiation is transparent to the Oracle® Enterprise Session Border Controller.
  - **preferred**—The H.323 stack uses 2833 for DTMF transfer, which it signals in its TCS. However, the remote H323 endpoint makes the decision. If the endpoint supports 2833, 2833 is used. If not, the H.323 stack reverts back to using UII. You configure the payload format by configuring the **h323-config** element.

## RFC 2833 Payload for H.323

To configure the RFC 2833 payload in preferred mode:

1. In Superuser mode, type **configure terminal** and press Enter.

```
ORACLE# configure terminal
```

2. Type **session-router** and press Enter to access the session-related configurations.

```
ORACLE(configure)# session-router
```

3. Type **h323** and press Enter. The system prompt changes to let you know that you can begin configuring individual parameters.

```
ORACLE(session-router)# h323
```

From this point, you can configure global H.323 parameters. To view all H.323 configuration parameters, enter a **?** at the system prompt.

4. **rfc2833-payload**—Enter a number that indicates the payload type the Oracle® Enterprise Session Border Controller will use for RFC 2833 packets while interworking 2833 and UII. The default value is **101**.
  - Minimum—96
  - Maximum—127

## Configuring the SIP Interface

You configure the 2833 mode and payload for the SIP interface. You must configure the payload the Oracle® Enterprise Session Border Controller will use for RFC 2833 packets, while interworking 2833 and INFO/UII.

To configure the SIP interface:

1. In Superuser mode, type **configure terminal** and press Enter.

```
ORACLE# configure terminal
```

2. Type **session-router** and press Enter to access the system-level configuration elements.

```
ORACLE(configure)# session-router
```

3. Type **sip-interface** and press Enter. The system prompt changes to let you know that you can begin configuring individual parameters.

```
ORACLE(session-router)# sip-interface  
ORACLE(sip-interface)#
```

From this point, you can configure SIP interface parameters. To view all sip-interface parameters, enter a **?** at the system prompt.

4. **rfc2833-payload**—Enter a number that indicates the payload type the SIP interface will use for RFC 2833 packets while interworking 2833 and UII. The default value is **101**. The valid range is:
  - Minimum—96
  - Maximum—127
5. **rfc2833-mode**—Set the RFC 2833 mode for the SIP interface. The default value is **transparent**. Valid values are:
  - **transparent**—The SIP INFO and RFC 2833 translation is transparent to the Oracle® Enterprise Session Border Controller.
  - **preferred**—The RFC 2833 transfer method is the preferred method for sending DTMF, and a telephone event is inserted in the SDP of the outgoing offer. The actual method of transfer, however, depends on the SDP offer/answer exchange that occurs between the Oracle® Enterprise Session Border Controller and remote endpoint. If the remote endpoint supports RFC 2833, the Oracle® Enterprise Session Border Controller performs SIP INFO—RFC 2833 conversion.
  - **dual**—The Oracle® Enterprise Session Border Controller behaves the same as it does when set to preferred mode, and it forwards both the original DTMF mechanism and the translated one to the remote endpoint.



## Configuring Session Agents

You configure session agents with:

- **payload type** the Oracle® Enterprise Session Border Controller wants to use for RFC 2833 packets while interworking 2833 and UUI.  
The default value for this attribute is 0. When this value is zero, the global `rfc2833-payload` configured in the `h323-configuration` element will be used instead. For SIP session agents, the payload defined in the SIP interface is used, if the SIP interface is configured with the preferred RFC 2833 mode.
- **2833 mode**  
A value of `transparent` or `preferred` for the session agent's 2833 mode will override any configuration in the `h323-stack` configuration element.

To configure session agents:

1. In Superuser mode, type **configure terminal** and press Enter.

```
ORACLE# configure terminal
```

2. Type **session-router** and press Enter to access the system-level configuration elements.

```
ORACLE(configure)# session-router
```

3. Type **session-agent** and press Enter. The system prompt changes to let you know that you can begin configuring individual parameters.

```
ORACLE(session-router)# session-agent
```

```
ORACLE(session-agent)#
```

4. **rfc2833-mode**—Set the RFC 2833 mode you want the session agent to use. The default value is **none**. Valid values are:

- **none**—RFC 2833 to UUI interworking is based on the H.323 stack configuration.
- **transparent**—The RFC 2833 or UUI negotiation is transparent to the Oracle® Enterprise Session Border Controller. This overrides the H.323 stack configuration, even if the stack is configured for preferred mode.
- **preferred**—RFC 2833 for DTMF transfer is preferred, which is signaled in the TCS. If the endpoint supports 2833, 2833 is used. If not, the H.323 stack configured as preferred will revert back to using UUI. This overrides any configuration in the `h323-stack` even if the stack is configured for transparent mode.

For SIP INFO—RFC 2833 conversion, you can choose:

- **none**—The 2833-SIP INFO interworking will be decided based on the sip-interface configuration.
- **transparent**—The session agent behaves the same as it did without the SIP INFO—RFC 2833 conversion feature. The SIP INFO and RFC 2833 translation is transparent to the Oracle® Enterprise Session Border Controller.
- **preferred**—The RFC 2833 transfer method is the preferred method for sending DTMF, and a telephone event is inserted in the SDP of the outgoing

offer. The actual method of transfer, however, depends on the SDP offer/answer exchange that occurs between the Oracle® Enterprise Session Border Controller and remote endpoint. If the remote endpoint supports RFC 2833, the Oracle® Enterprise Session Border Controller performs SIP INFO—RFC 2833 conversion.

- **dual**—The Oracle® Enterprise Session Border Controller behaves the same as it does when set to preferred mode, and it forwards both the original DTMF mechanism and the translated one to the remote endpoint.
5. **rfc2833-payload**—Enter a number that indicates the payload type the session agent will use for RFC 2833 packets while interworking 2833 and UII. The default value is 0. The valid range is:
    - Minimum—0, 96
    - Maximum—127

## Enabling Payload Type Handling

You can configure H.323 session agents and H.323 interfaces (stacks) with an option that forces symmetric payload type use. For Payload Type Handling to work properly, you must set the following SIP interface and the global H.323 configuration parameters with these values:

- **rfc2833-mode**—Set this parameter to **preferred**; the default is **transparent**.
- **rfc2833-payload**—Set this parameter to the payload type you want forced for the remote endpoint. Your entry will be between **96** and **127**, with **101** as the default. To enable forced symmetric payload type handling for an H.323 session agent:
  1. In Superuser mode, type **configure terminal** and press Enter.

```
ORACLE# configure terminal
ORACLE(configure)#
```

2. Type **session-router** and press Enter.

```
ORACLE(configure)# session-router
ORACLE(session-router)#
```

3. Type **session-agent** and press Enter.

```
ORACLE(session-router)# session-agent
ORACLE(session-agent)#
```

If you want to add this option to a pre-existing H.323 session agent, select the one you want to edit.

4. **options**—Set the options parameter by typing options, a Space, the option name **Map2833ForceRemotePT** with a plus sign in front of it. Then press Enter.

```
ORACLE(session-agent)# options +Map2833ForceRemotePT
```

If you type options and then the option value for either of these entries without the plus sign, you will overwrite any previously configured options. In order to append

the new options to this configuration's options list, you must prepend the new option with a plus sign as shown in the previous example.

5. Save and activate your configuration.

To enable forced symmetric payload type handling for an H.323 interface:

6. In Superuser mode, type **configure terminal** and press Enter.

```
ORACLE# configure terminal
ORACLE(configure)#
```

7. Type **session-router** and press Enter.

```
ORACLE(configure)# session-router
ORACLE(session-router)#
```

8. Type **h323-config** and press Enter.

```
ORACLE(session-router)# h323-config
ORACLE(h323-config)#
```

9. Type **h323-stacks** and press Enter.

```
ORACLE(h323-config)# h323-stacks
ORACLE(h323-stack)#
```

10. **options**—Set the options parameter by typing options, a Space, the option name **Map2833ForceRemotePT** with a plus sign in front of it. Then press Enter.

```
ORACLE(h323-stack)# options +Map2833ForceRemotePT
```

If you type **options** and then the option value for either of these entries without the plus sign, you will overwrite any previously configured options. In order to append the new options to this configuration's options list, you must prepend the new option with a plus sign as shown in the previous example.

11. Save and activate your configuration.

## DTMF Transparency for IWF

In certain vendors' implementations of DTMF during SIP/H.323 IWF, there have been discrepancies between the RFC 2833 and UII/INFO negotiations and what type of messages actually get sent. Instead of correcting these errors on its own end, the Oracle® Enterprise Session Border Controller has perpetuated these inaccuracies.

To ensure that the Oracle® Enterprise Session Border Controller always sends the correctly negotiated protocols, a **media-manager-config** parameter called **translate-non-rfc2833-event** has been created. When **translate-non-rfc2833-event** is enabled, the Oracle® Enterprise Session Border Controller always sends the type of messages that were initially negotiated, regardless of the type of messages it may be receiving.

## DTMF Transparency Configuration

To enable DTMF transparency for SIP/H.323 IWF:

1. In Superuser mode, type **configure terminal** and press Enter.

```
ORACLE# configure terminal  
ORACLE(configure)#
```

2. Type **media-manager** and press Enter.

```
ORACLE(configure)# media-manager  
ORACLE(media-manager)#
```

3. Type **media-manager** and press Enter. The system prompt changes to let you know that you can begin configuring individual parameters.

```
ORACLE(media-manager)# media-manager  
ORACLE(media-manager-config)#
```

4. **translate-non-rfc2833-event**—To enable this feature, set this parameter to **enabled**. If you do not want to use the feature leave it set to its default behavior, disabled.
5. Save and activate your configuration.

## RFC 2833 Packet Sequencing

You can configure your Oracle® Enterprise Session Border Controller to generate either the entire start-interim-end RFC 2833 packet sequence or only the last three end 2833 packets for non-signaled digit events.

## RFC 2833 Packet Sequencing Configuration

To send only the last three end 2833 packets for non-signaled digits events:

1. In Superuser mode, type **configure terminal** and press Enter.

```
ORACLE# configure terminal  
ORACLE(configure)#
```

2. Type **media-manager** and press Enter.

```
ORACLE(configure)# media-manager  
ORACLE(media-manager)#
```

3. Type **media-profile** and press Enter.

```
ORACLE(media-manager)# media-manager  
ORACLE(media-manager-config)#
```

4. **rfc2833-end-pkts-only-for-non-sig**—By default, this parameter is enabled—meaning that only the last three end 2833 packets are used for non-signaled digits events. Set this parameter to disabled if you want the entire start-interim-end RFC 2833 packet sequence for non-signaled digit events
5. Save and activate your configuration.

## Enhanced H.245 to 2833 DTMF Interworking

Enhanced H.245 to 2833 and SIP INFO to 2833 DTMF interworking addresses issues experienced where the way the Oracle® Enterprise Session Border Controller timestamps audio RTP packets result in dropped digits and digits with a stutter pattern. These occurrences can cause other network devices to deem the packets unrecoverable (due to jitter), meaning that they will never render the digit.

The Oracle® Enterprise Session Border Controller offers the following:

- Timestamp is based on the current time—The Oracle® Enterprise Session Border Controller can compute the timestamp of the egress 2833 packets using the actual time elapsed in milliseconds since the last RTP packet (rather than incrementing the time by 1 sample). Not only does the Oracle® Enterprise Session Border Controller fill out the timestamp field more accurately, but it also recalculates the checksum.
- End-event 2833 messages default behavior—The Oracle® Enterprise Session Border Controller's new default behavior is to send three end-event 2833 packets only if the DTMF event is received for:
  - An alphanumeric UUI or SIP INFO with no duration
  - A signaled UUI or SIP INFO with a duration less than the minimum signal duration (the value you configure using the new media manager configuration **min-signal-duration** option)

For a signaled UUI or SIP INFO with a duration greater than the minimum signal duration, the Oracle® Enterprise Session Border Controller behaves as it does in prior releases: It sends the initial event packets, any interim packets (if they exist), and the three end packets.

- Configurable duration for the 2833 event—Without the enhancements being configured, the Oracle® Enterprise Session Border Controller uses a 250 millisecond duration for the 2833 event when it receives an alphanumeric UUI or a SIP INFO with no specified duration. The result is that 2833 packets are sent at 50-millisecond intervals until the 250 millisecond time expires; then the three end-event packets are sent.  
Now the Oracle® Enterprise Session Border Controller allows you to set the duration of these 2833 events using a new **default-2833-duration** parameter (with a 100 millisecond default) in the media manager configuration. In addition, the Oracle® Enterprise Session Border Controller uses this configured value (instead of the duration sent in the signaling message) when it receives an UUI or SIP INFO with a duration less than the minimum signal duration. It checks to make sure that the value for the **default-2833-duration** parameter is greater than the minimum signal duration.
- Configurable minimum signal duration value—Without this configured, the Oracle® Enterprise Session Border Controller accepts and uses the duration it receives in the UUI or SIP INFO for the 2833 event. However, you can configure this value using the **min-signal-duration** option in the media manager configuration. If the duration the Oracle® Enterprise Session Border Controller receives is less than the threshold, it uses the value configured in the **default-2833-duration** parameter.  
If you do not configure this option, then there is no signaling duration threshold.

 **Note:**

Timestamp changes and duration changes only take effect when the 2833 timestamp (rfc-2833-timestamp) is enabled in the media manager configuration.

## Enhancements Configuration

This section shows you how to configure enhancements for H.245 UII/SIP INFO—2833 DTMF interworking.

To enable the Oracle® Enterprise Session Border Controller to calculate the timestamp based on the current time:

1. In Superuser mode, type **configure terminal** and press Enter.

```
ORACLE# configure terminal
ORACLE(configure)#
```

2. Type **media-manager** and press Enter.

```
ORACLE(configure)# media-manager
```

3. Type **media-profile** and press Enter.

```
ORACLE(media-manager)# media-manager
ORACLE(media-manager-config)#
```

4. **rfc-2833-timestamp**—Enable this parameter to use a timestamp value calculated using the actual time elapsed since the last RTP packet. The default is **disabled**. Valid values are:

- enabled | disabled

5. Save and activate your configuration.

To configure a duration for the 2833 event:

6. In Superuser mode, type **configure terminal** and press Enter.

```
ORACLE# configure terminal
ORACLE(configure)#
```

7. Type **media-manager** and press Enter.

```
ORACLE(configure)# media-manager
```

8. Type **media-profile** and press Enter.

```
ORACLE(media-manager)# media-manager
ORACLE(media-manager-config)#
```

9. **default-2833-duration**—Set this parameter to the time value in milliseconds for the Oracle® Enterprise Session Border Controller to use when it receives an

alphanumeric URI or a SIP INFO with no specified duration; then the three end-event packets are sent. The default value is 100. The valid range is:

- Minimum—50
- Maximum—5000

10. Save and activate your configuration.

## Setting the Minimum Signal Duration

To configure the minimum signal duration value:

1. In Superuser mode, type **configure terminal** and press Enter.

```
ORACLE# configure terminal
ORACLE(configure)#
```

2. Type **media-manager** and press Enter.

```
ORACLE(configure)# media-manager
```

3. Type **media-profile** and press Enter.

```
ORACLE(media-manager)# media-manager
ORACLE(media-manager-config)#
```

4. **options**—Set the options parameter by typing **options**, a Space, the option name **min-signal-duration=x** (where **x** is the value in milliseconds you want to use for the threshold) with a plus sign in front of it. Then press Enter.

```
ORACLE(media-manager-config)# options +min-signal-duration=200
```

**If you type options** and then the option value for either of these entries **without the plus sign, you will overwrite any previously configured options. In order to append the new option to the configuration's options list, you must prepend the new option with a plus sign as shown in the previous example.**

5. Save and activate your configuration.

## SIP Tel URI Support

The Oracle® Enterprise Session Border Controller maps H.323 addresses to either SIP URIs or Tel URIs. You can configure the Oracle® Enterprise Session Border Controller to include Tel URIs in the following SIP headers for calls that require the IWF:

- Request Line
- To
- From

When Tel URI support is not used on a Oracle® Enterprise Session Border Controller performing IWF translations, the SIP INVITE is formatted like it is in the following

example. This example uses 192.168.5.5 as the external proxy address, or the next hop (as configured in the local policy).

```
INVITE sip:602@192.168.5.5:5060 SIP/2.0
Via: SIP/2.0/UDP 192.168.5.58:5060;branch=z9hG4bKIWF0aqq001g11a7kos4g0
Contact: <sip:603@192.168.5.58:5060>
From: <sip:603@192.168.5.58:5060>;tag=4069ac210018a0
To: <sip:602@192.168.5.5:5060>
```

In the example above, the session needs to be routed to another SIP proxy that can resolve an E.164 number to a SIP address. However, the next SIP proxy must be informed that the message will be routed based on the included E.164 number; the SIP address of the Request URI does not have a routable SIP address. To devise a routable address, the Request URI must be reconstructed as a Tel URI.

Without Tel URI support configured, the terminating SIP user would be required to have an address of 602@192.168.5.5, where the IPv4 address portion is the same as the address for the proxy. If it were not the same, then the session would terminate at the proxy. However, the proxy would be unable to handle the session because the SIP address it received would be unknown/unroutable.

Because it is not desirable to have an IPv4 address be the user-identity and rely on the configuration of the IP network, the SIP INVITE generated by the Oracle® Enterprise Session Border Controller and sent to the proxy must have the following format if it is sent to an H.323 entity.

```
INVITE tel:2345 SIP/2.0
Via: SIP/2.0/UDP 192.168.5.52:5060;branch=z9hG4bKIWFaqq00cobgf9so10o0
Contact: <sip:1234@192.168.5.58:5060>
From: <tel:1234>;tag=4069ac35000c5ff8
To: <tel:2345>
Call-ID: 7f0000113ce4069ac35000c5440
CSeq: 1 INVITE
Content-Length: 155
Content-Type: application/sdp
```

## SIP Interface Configuration

You enable this feature in the SIP interface configuration.

To configure SIP Tel URI support for calls that require the IWF:

1. In Superuser mode, type **configure terminal** and press Enter.

```
ORACLE# configure terminal
```

2. Type **session-router** and press Enter to access the session-related configurations.

```
ORACLE(configure)# session-router
```

3. Type **sip-interface** and press Enter.

```
ORACLE(session-router)# sip-interface
```



From this point, you can configure SIP interface parameters. To view see all SIP interface parameters, enter a ? at the system prompt.

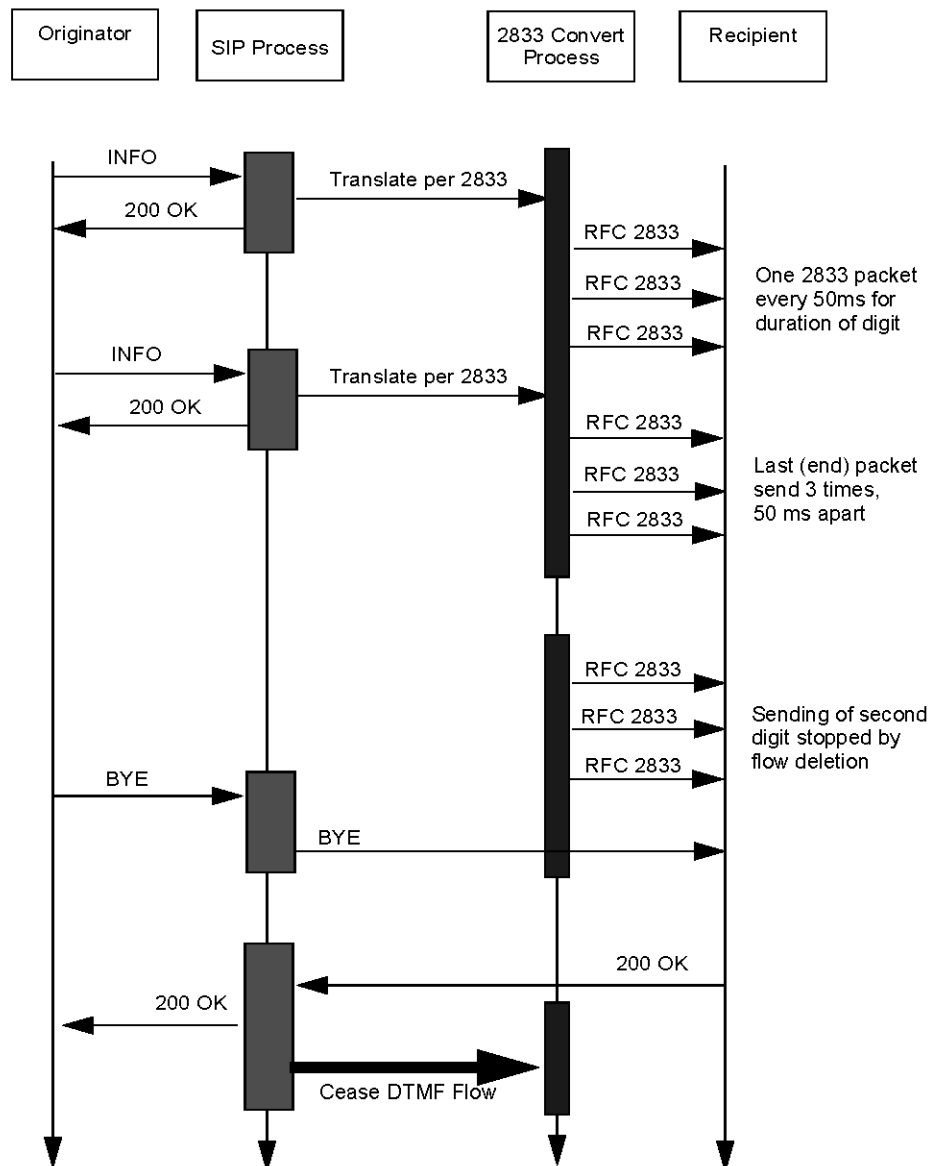
- teluri-scheme**—Enable or disable the conversion of SIP URIs to Tel URIs. The default value is **disabled**. Valid values are:

- enabled | disabled

```
ORACLE(sip-interface)# teluri-scheme enabled
ORACLE(sip-interface)# done
```

## Graceful DTMF Conversion Call Processing

The default implementation for SIP INFO to RFC2833 events performs well in most network topologies is shown below.



When the Oracle® Enterprise Session Border Controller receives an INFO DTMF request, the SIP process determines whether or not it needs to perform DTMF-to-RFC2833 translation. If translation is required, the process forwards the DTMF to the 2833 convert process for translation and transmission to the recipient. Immediately after off-loading the DTMF, the SIP process sends a 200 OK response for the INFO. As shown in the figure, the 2833 convert process generates a number of RFC2833 packets to represent received DTMF digits.

Specifically, the 2833 convert process generates one RFC 2833 packet every 50 milliseconds for the duration of the DTMF digit, whose length is specified in the INFO request, and two retransmits of the last packet (known as the end packet) 50 milliseconds apart.

Consequently, the time interval between the 200 OK and the actual transmission of the RFC 2833 translation is the sum of the DTMF duration and 100 ms.

 **Note:**

This time interval can be shortened to 100 ms by enabling the `rfc2833-end-pkts-only-for-non-sig` parameter in `media-manger` which results in Oracle® Enterprise Session Border Controller only generating the last packet and its two retransmits.

The early 200 OK allows the endpoint to send the next DTMF digit before the SD has sent all the RFC2833 packets, resulting in the next digit being queued internally by the 2833 convert process before being sent.

A problem arises if the SIP process receives a BYE request from the DTMF originator while queued digits are awaiting translation and transmission. In such an event, the SIP process immediately forwards the BYE request to the recipient, ending the session with DTMF digits awaiting translation and transmission.

An alternative DTMF conversion model provides for a feedback mechanism from the 2833 convert process to the SIP process. With this model enabled, the SIP process buffers a received BYE until it obtains confirmation that all queued DTMF digits have been translated and transmitted. Only after obtaining confirmation, does it forward the BYE to terminate the session.

This processing model is enable by a SIP option, **sync-bye-and-2833**, and requires that **rfc2833-mode** parameter on the egress interfaces is NOT set to dual, any value other than dual, is supported.

1. From superuser mode, use the following command sequence to access sip-config configuration mode.

```
ORACLE# configure terminal
ORACLE(configure)# session-router
ORACLE(session-router)# sip-config
ORACLE(sip-config)#
```

2. Use the SIP option **sync-bye-and-2833** to delay BYE processing until DTMF-to-RFC2833 translation has been completed.

```
ORACLE(sip-config)# options +sync-bye-and-2833="enabled"  
ORACLE(sip-config)#
```

3. Use the **done** and **exit** commands to complete configuration.

```
ORACLE(sip-config)# done  
ORACLE(sip-config)# exit  
ORACLE(session-router)#
```

## IWF Inband Tone Option

This option enables the Oracle® Enterprise Session Border Controller to send a progress indicator (PI) =8 in an H.225 message when an SDP is received in a provisional message. In effect, this option sends network announcements inband. It is also applicable because in some networks H.323 endpoints support early H.245.

The H.323 inband tone option is enabled by adding the **inbandTone** as an option in a configured H.323 stack.

When this option is not used, the ringtone is generated locally (NO PI=8 in PROGRESS OR ALERTING) is the default behavior.

## IWF Inband Tone Configuration

To configure the IWF inband tone option:

1. In Superuser mode, type **configure terminal** and press Enter.

```
ORACLE# configure terminal
```

2. Type **session-router** and press Enter to access the media-related configurations.

```
ORACLE(configure)# session-router
```

3. Type **h323** and press Enter.

```
ORACLE(session-router)# h323
```

4. Type **h323-stacks** and press Enter.

```
ORACLE(h323)# h323-stacks  
ORACLE(h323-stacks)#
```

5. Use the ACLI **select** command add this feature to an existing H.323 interface.

```
ORACLE(h323-stacks)# select
```

6. If you are adding this service to a new H.323 interface, type **option inbandTone** and press Enter.

```
ORACLE(h323-stacks)# option inbandTone
```

7. If you are adding this service to an H.323 interface that already exists, type **select** to select the interface to which you want to add the service. Then use the options command and prepend the option with a plus (+) sign.
  - If you know the name of the interface, you can type the name of the interface at the name: prompt and press Enter.
  - If you do not know the name of the interface, press Enter at the name: prompt. A list of interfaces will appear. Type the number corresponding to the interface you want to modify, and press Enter.
  - **If are adding service to an existing interface and type in the option without a plus (+) sign, you will remove any previously configured options. In order to append the new option to the options list, you must prepend the new option with a plus sign: options +inbandTone.**

## RFC 3326 Support

This section explains the Oracle® Enterprise Session Border Controller's ability to map Q.850 cause values with SIP responses for calls that require IWF.

RFC 3326 defines a header that might be included in any in-dialogue request. This reason header includes cause values that are defined as either a SIP response code or ITU-T Q.850 cause values. You can configure the Oracle® Enterprise Session Border Controller to support sending and receiving RFC 3326 in SIP messages for:

- Mapping H.323 Q.850 cause values to SIP responses with reason header and cause value
- Mapping SIP response messages and RFC 3326 reason header and cause
- Locally generated SIP response with RFC 3326 reason header and cause

As specified in RFC 3326, the Oracle® Enterprise Session Border Controller sends SIP responses to the softswitch that contain the received Q.850 cause code and the reason.

Though the Oracle® Enterprise Session Border Controller can generate RFC 3326 headers, the default behavior for this feature is disabled. Furthermore, the Oracle® Enterprise Session Border Controller can receive and pass SIP error messages (4xx, 5xx, and 6xx) that contain the SIP reason header with a Q.850 cause code and reason (as specified in RFC 3326). If the Oracle® Enterprise Session Border Controller receives an error message without the Reason header, then the Oracle® Enterprise Session Border Controller is not required to insert one.

In calls that require IWF, the Q.850 cause generated in the SIP response are the same as the cause received in the following H.225 messages: Disconnect, Progress, Release, Release Complete, Resume Reject, Status, and Suspend Reject. In addition, the Q.850 cause codes that the Oracle® Enterprise Session Border Controller receives in RFC 3326 headers are passed to the H.323 part of the call unmodified; the H.323 call leg uses this cause code for releasing the call.

For interworking calls between SIP and H.323, you can configure:

- Mappings for SIP status codes to Q.850 values
- Mappings for particular Q.850 cause codes to SIP status codes

If it cannot find the appropriate mapping, then the Oracle® Enterprise Session Border Controller uses default mappings defined in the Default Mappings table below.

The following describes how the Oracle® Enterprise Session Border Controller handles different IWF call scenarios:

- SIP request containing a Reason header—When it receives a request containing a Reason header, the Oracle® Enterprise Session Border Controller determines if the request is a SIP BYE or SIP CANCEL message. RFC 3326 states that the Reason header is mainly used for these types of requests. If there is a Reason header and it contains the Q.850 cause value, then the Oracle® Enterprise Session Border Controller releases the call on the H.323 side using the specified cause value.
- SIP response—When it receives the error response to an initial SIP INVITE, the Oracle® Enterprise Session Border Controller uses its SIP-Q.850 map to determine the Q.850 that it will use to release the call. If there is not a map entry, then the Oracle® Enterprise Session Border Controller uses the default mappings shown in the Default Mappings table.
- Active call released from the H.323 side—If an active call is released from the H.323 side, the Oracle® Enterprise Session Border Controller checks the outgoing realm (the SIP side) to see if the addition of the Reason header is enabled. If it is, then the Oracle® Enterprise Session Border Controller adds the Reason header in the SIP BYE request with the Q.850 value it received from the H.323 side.
- Error during setup of the call on the H.323 side—In the event of an error during setup on the H.323 side of the call, the Oracle® Enterprise Session Border Controller needs to send:
  - An error response, if this is a SIP to H.323 call
  - A SIP CANCEL, if this is a H.323 to SIP call and the H.323 side hangs up before the call is answered on the SIP side  
In this case, the Oracle® Enterprise Session Border Controller checks to see if adding the Reason header is enabled in the IWF configuration. If it is, then the Oracle® Enterprise Session Border Controller adds the Reason header with the Q.850 cause value it received from the H.323 side.
- Call released due to a Oracle® Enterprise Session Border Controller error—If the call is released due a Oracle® Enterprise Session Border Controller error and adding the Reason header is enabled in the IWF configuration, the error response to the initial INVITE contains the Reason header. The Oracle® Enterprise Session Border Controller checks the SIP to Q.850 map configurations to determine whether or not the SIP error response code it is generating is configured. If it is, then the system maps according to the configuration. If if it not, the Oracle® Enterprise Session Border Controller derives cause mapping from the default table.

Like the configuration for SIP-only calls that enable this feature, you can set a parameter in the IWF configuration that enables adding the Reason header in the SIP requests or responses.

## Default Mappings

This table defines the default mappings the Oracle® Enterprise Session Border Controller uses when it cannot locate an appropriate entry that you have configured.

Q.850 Cause Value		SIP Status	
1	Unallocated number	404	Not found

<b>Q.850 Cause Value</b>		<b>SIP Status</b>	
2	No route to specified transit network	404	Not found
3	No route destination	404	Not found

---

Q.850 Cause Value		SIP Status	
16	Normal calling clearing	N/A	BYE message

---



**N  
o  
t  
e  
:**

A call clearing BYE message contains the cause value 16 typically

---

**Q.850 Cause Value**

**SIP Status**

---

r  
e  
s  
u  
l  
t  
s  
i  
n  
t  
h  
e  
s  
e  
n  
d  
i  
n  
g  
o  
f  
a  
S  
I  
P  
B  
Y  
E  
o  
r  
C  
A  
N  
C  
E  
L  
r  
e  
q  
u  
e  
s  
t  
. H  
o  
w  
e  
v  
e  
r, i  
f  
a  
S  
I  
P  
r  
e  
s  
p  
o  
n



Q.850 Cause Value	SIP Status
-------------------	------------

s  
e  
i  
s  
t  
o  
b  
e  
s  
e  
n  
t  
t  
o  
t  
h  
e  
I  
N  
V  
I  
T  
E  
r  
e  
q  
u  
e  
s  
t  
,  
t  
h  
e  
d  
e  
f  
a  
u  
l  
t  
r  
e  
s  
p  
o  
n  
s  
e  
c  
o  
d  
e  
i  
s  
u  
s  
e  
d.

17	User busy	486	Busy here
18	No user responding	408	Request timeout
19	No answer from the user	480	Temporarily unavailable
20	Subscriber absent	480	Temporarily unavailable

Q.850 Cause Value		SIP Status	
21	Call rejected	603	Decline (if location filed in Cause information element indicates user; otherwise 403 Forbidden is used)
22	Number changed	301	Moved permanently (if information in diagnostic field of Cause information element is suitable for generating SIP Contact header; otherwise 410 Gone is used)
23	Redirection to new destination	410	Gone
25	Exchange routing error	483	Too many hops
27	Destination out of order	502	Bad gateway
28	Address incomplete	484	Address incomplete
29	Facility rejected	501	Not implemented
31	Normal, unspecified	480	Temporarily unavailable
34	No circuit, channel unavailable	503	Service unavailable
38	Network out of order	503	Service unavailable
41	Temporary failure	503	Service unavailable
42	Switching equipment congestion	503	Service unavailable
47	Resource unavailable unspecified	503	Service unavailable
55	Incoming calls barred with CUG	403	Forbidden
57	Bearer capability not authorized	403	Forbidden
58	Bearer capability not presently available	503	Service unavailable
65	Bearer capability not implemented	488	Not acceptable here
69	Requested facility not implemented	501	Not implemented
70	Only restricted digital information available	488	Not acceptable here
79	Service or option not implemented, unspecified	501	Not implemented
87	User not member of CUG	403	Forbidden
88	Incompatible destination	503	Service unavailable
102	Recovery on timer expiry	504	Server time-out

## RFC 3326 Support Configuration

To configure a SIP status to Q.850 Reason with cause mapping:

1. In Superuser mode, type **configure terminal** and press Enter.

```
ORACLE# configure terminal
```

2. Type **session-router** and press Enter.

```
ORACLE(configure)# session-router
```

3. Type **sip-q850-map** and press Enter.

```
ORACLE(session-router)# sip-q850-map
ORACLE(sip-q850-map)#
```

4. Type **entries** and press Enter.

```
ORACLE(sip-q850-map)# entries
ORACLE(sip-q850-map-entry)#
```

From here, you can view the entire menu for the SIP status to Q.850 Reason with cause mapping entries configuration by typing a ?.

5. **sip-status**—Set the SIP response code that you want to map to a particular Q.850 cause code and reason. There is no default, and the valid range for values is:

- Minimum—100
- Maximum—699

6. **q850-cause**—Set the Q.850 cause code that you want to map to the SIP response code that you set in step 5. There is no default.

7. **q850-reason**—Set the Q.850 reason corresponding to the Q.850 cause code that you set in step 6. There is no default. If your value has spaces between characters, then your entry must be surrounded by quotation marks.

8. Repeat this process to create the number of local response map entries that you need.

9. Save and activate your configuration for changes to take effect.

To configure a Q.850 cause to a SIP status with reason mapping:

10. In Superuser mode, type **configure terminal** and press Enter.

```
ORACLE# configure terminal
```

11. Type **session-router** and press Enter.

```
ORACLE(configure)# session-router
```

12. Type **sip-q850-map** and press Enter.

```
ORACLE(session-router)# q850-sip-map
ORACLE(q850-sip-map)#
```

13. Type **entries** and press Enter.

```
ORACLE(q850-sip-map)# entries
ORACLE(q850-sip-map-entry)#
```

From here, you can view the entire menu for the Q.850 cause to a SIP response code with reason mapping entries configuration by typing a ?.

14. **q850-cause**—Set the Q.850 cause code that you want to map to a SIP status with reason. There is no default.
15. **sip-status**—Set the SIP response code to which you want to map the Q.850 cause that you set in step 5. There is no default, and the valid range for a value is
  - Minimum—100
  - Maximum—699
16. **sip-reason**—Set the reason that you want to use with the SIP response code that you specified in step 6. There is no default. If your value has spaces between characters, then your entry must be surrounded by quotation marks.
17. Repeat this process to create the number of local response map entries that you need.

To enable the Oracle® Enterprise Session Border Controller to add the Reason header for calls that require IWF:

18. In Superuser mode, type **configure terminal** and press Enter.

```
ORACLE# configure terminal
```

19. Type **session-router** and press Enter.

```
ORACLE(configure)# session-router
```

20. Type **iwf-config** and press Enter.

```
ORACLE(session-router)# iwf-config
ORACLE(iwf-config)#
```

21. **add-reason-header**—Enable this parameter to add the Reason header to IWF calls. The default is **disabled**. Valid values are:
  - enabled | disabled

## IWF Privacy Caller Privacy on Unsecure Networks

This feature enables bi-directional SIP/H.323 IWF support for CPID hiding by using the presentation indicators in the Calling Party Number information element for H.323 signaling, and RFC 3325-based privacy support for SIP signaling. It lets the Oracle® Enterprise Session Border Controller insert the P-Asserted-Identity and the Privacy header in the INVITE when the presentation indicator is set to restricted.

The presence, or absence, of P-Asserted-Identity and Privacy headers in the SIP INVITE informs the remote SIP proxy or endpoint to either block or advertise the CPID.

### About the Presentation Indicator

When address information represents a telephone number, the relevant information can appear in the Calling Party Number information element (IE). This IE contains the caller's number, information about the number, and presentation and screening indicators found in octet 3a. In order to prevent a calling party number to be passed

through, the presentation indicator parameter (octet 3a) in the Calling Party IE must be set to a value other than 00.

In a H.323 to SIP IWF call, octet 3a in the Q.931 message indicates the caller's preference for CPID restriction. If bits 7 and 6 are set to (0 1), the presentation is restricted and the outbound SIP INVITE from the IWF stack must be constructed as such.

## H.323 to SIP IWF Call

When the presentation indicator in the calling party IE is set to restricted, the INVITE's From and Contact headers sent from to sipd will be modified according to RFC 3325. When the Oracle® Enterprise Session Border Controller receives calls initiated as H.323, it will recognize the caller's presentation bits as defined in Q.931 and use that information to construct a SIP INVITE in accordance with the user's indicated preference.

- Inclusion of a P-Asserted-Identity header in the INVITE, containing the calling party's CPID and the Oracle® Enterprise Session Border Controller's IP address, constructed as a SIP URI (same mechanism used to construct the From-URI today).
- Addition of a Privacy header with its value set to id. This addition indicates to the upstream proxies and gateways that the caller address is to be hidden.

The sipd will either proxy or strip these headers according to RFC 3325, depending on the SIP interface and SIP session agent configurations.

### Example 1 SETUP Sent from h323d to Remote H.323 Endpoints

```

Q.931
Protocol discriminator: Q.931
Call reference value length: 2
Call reference flag: Message sent from originating side
Call reference value: 2F62
Message type: SETUP (0x05)
Bearer capability
Information element: Bearer capability
Length: 3
...0 1000 = Information transfer capability: Unrestricted digital
information (0x08)
.00. .... = Coding standard: ITU-T standardized coding (0x00)
1... .... = Extension indicator: last octet
...1 0011 = Information transfer rate: 384 kbit/s (0x13)
.00. .... = Transfer mode: Circuit mode (0x00)
1... .... = Extension indicator: last octet
...0 0101 = User information layer 1 protocol: Recommendation H.221 and
H.242 (0x05)
1... .... = Extension indicator: last octet
Display 'jdoe\000'
Information element: Display
Length: 9
Display information: jdoe\000
Calling party number
Information element: Calling party number

```

```

Length: 2
.... 0000 = Numbering plan: Unknown (0x00)
.000 .... = Number type: Unknown (0x00)
0... .... = Extension indicator: information continues through the next
octet
.... ..00 = Screening indicator: User-provided, not screened (0x00)
.01. .... = Presentation indicator: Presentation restricted (0x01)
1... .... = Extension indicator: last octet

```

## Example 2 INVITE from h323d to sipd

The two new headers will be stripped by the sipd when the INVITE is sent to a untrusted SIP proxy or endpoint and will be proxied over to a trusted SIP proxy or endpoint.

```

INVITE sip:780@192.168.200.6:5060;acme_realm=internal SIP/2.0
Via: SIP/2.0/UDP
127.0.0.1:5070;branch=z9hG4bKIWF00000510d031s9kou5c0;acme_irealm=external
Contact: "Anonymous"<sip:anonymous@127.0.0.1:5070
GenericID: 74000000@000825010100
Supported: 100rel
From: "Anonymous"<sip:anonymous@anonymous.invalid>;tag=0000004a000d8cc0
To: <sip:780@192.168.200.6:5060
Call-ID: 7f00000113ce0000004a000d88d8@127.0.0.1
CSeq: 2 INVITE
P-Asserted-Identity: "jdoe"<sip:42343@192.168.200.68:5060>
Privacy: id
Content-Length: 175
Content-Type: application/sdp
v=0
o=IWF 3 3 IN IP4 192.168.1.6
s=H323 Call
c=IN IP4 192.168.1.6
t=0 0
m=audio 5666 RTP/AVP 0 101 18
a=rtpmap:0 PCMU/8000/1
a=rtpmap:101 telephone-event/8000/1
a=fmtp:101 0-15
a=rtpmap:18 G729/8000/1
a=fmtp:18 annexb=no
m=video 5668 RTP/AVP 31
a=rtpmap:31 H261/9000/1

```

## SIP to H.323

For a SIP to H.323 call, the Oracle® Enterprise Session Border Controller must recognize the caller's Privacy request and set the presentation bits accordingly when constructing the outbound RAS/SETUP message. It must check SIP calls for the Privacy header (with value set to id). If this header is present, the SETUP's octet 3a's presentation bits must be set to restricted.

The Oracle® Enterprise Session Border Controller does not support any other value for the Privacy header. For those calls, the SETUP will not include a presentation indicator.

## Example INVITE from SIP End Point to sipd

```
Apr 21 08:50:38.786 On [0:0]192.168.200.68:5060 received from
192.168.200.6:5062
INVITE sip:800@192.168.200.68:5060 SIP/2.0
Via: SIP/2.0/UDP 192.168.200.6:5062
From: anonymous <sip:anonymous@192.168.200.6:5062>;tag=1
To: sut <sip:800@192.168.200.68:5060
P-Asserted-Identity: sipp <sip:7789@192.168.200.6:5062
Privacy: id
Call-ID: 1.1688.192.168.200.6@sipp.call.id
Cseq: 1 INVITE
Contact: sip:anonymous@192.168.200.6:5062
Max-Forwards: 70
Subject: Performance Test
Content-Type: application/sdp
Content-Length: 136
v=0
o=user1 53655765 2353687637 IN IP4 127.0.0.1
s=-
t=0 0
c=IN IP4 127.0.0.1
m=audio 10000 RTP/AVP 0
a=rtpmap:0 PCMU/8000
Sample INVITE from sipd to h323d
Apr 21 08:50:38.807 On 127.0.0.1:5070 received from 127.0.0.1:5060
INVITE sip:800@127.0.0.1:5070;acme_sag=sagl;acme_irealm=internal SIP/2.0
Via: SIP/2.0/UDP 127.0.0.1:5060;branch=z9hG4bK0804o700c0f0t9gpj0g0.1
From: anonymous <sip:anonymous@192.168.200.6:5062>;tag=SDm8kvc01-1
To: sut <sip:800@192.168.200.68:5060
P-Asserted-Identity: sipp <sip:7789@192.168.200.6:5062
Privacy: id
Call-ID: SDm8kvc01-083221d8c0fa33f71ae85dd6ed0e4ea4-06ahc21
Cseq: 1 INVITE
Contact: <sip:anonymous@192.168.200.68:5060;transport=udp
Max-Forwards: 69
Subject: Performance Test
Content-Type: application/sdp
Content-Length: 136
GenericID: 9883100005@000825010100
v=0
o=user1 53655765 2353687637 IN IP4 127.0.0.1
s=-
t=0 0
c=IN IP4 127.0.0.1
m=audio 10000 RTP/AVP 0
a=rtpmap:0 PCMU/8000
Sample SETUP sent from h323d to remote H323 EP
Q.931
Protocol discriminator: Q.931
```

```

Call reference value length: 2
Call reference flag: Message sent from originating side
Call reference value: 664D
Message type: SETUP (0x05)
Bearer capability
  Information element: Bearer capability
  Length: 3
  ...1 0000 = Information transfer capability: 3.1 kHz audio
(0x10)
  .00. .... = Coding standard: ITU-T standardized coding (0x00)
  1... .... = Extension indicator: last octet
  ...1 0000 = Information transfer rate: 64 kbit/s (0x10)
  .00. .... = Transfer mode: Circuit mode (0x00)
  1... .... = Extension indicator: last octet
  ...0 0011 = User information layer 1 protocol: Recommendation
G.711 A-law (0x03)
1... .... = Extension indicator: last octet
  Display 'anonymous'
  Information element: Display
  Length: 9
  Display information: anonymous
  Calling party number
  Information element: Calling party number
Length: 2
  .... 0000 = Numbering plan: Unknown (0x00)
  .000 .... = Number type: Unknown (0x00)
  0... .... = Extension indicator: information continues through
the next octet
  .... ..00 = Screening indicator: User-provided, not screened
(0x00)
  .01. .... = Presentation indicator: Presentation restricted
(0x01)
  1... .... = Extension indicator: last octet

```

## IWF Privacy Caller Privacy on Secure Connections

In prior releases, when the H.323 endpoint sends a SETUP with presentation indicator set to allowed, the Oracle® Enterprise Session Border Controller does not insert the P-Asserted-Identity in the INVITE. The SIP INVITE needs the P-Asserted-Identity header to support calling line identification presentation (CLIP) to calling line identification restriction (CLIR) in an IP multimedia subsystem (IMS) solution. This feature lets the Oracle® Enterprise Session Border Controller insert the P-Asserted-Identity in the INVITE when the presentation indicator is set to allowed.

- CLIP is a service provided to the called party that allows the display of the calling number (caller ID). The user-provided calling number must be transported from the caller to the called party.
- CLIR is a service provided to the calling party that lets it indicate whether or not the calling number is to be displayed to the called party. It sets a calling number presentation indicator to allowed or restricted. Regulations require that network administrations remove the calling number before it is sent to the called party, if the calling party has so requested.



## H.323 to SIP IWF

When the Oracle® Enterprise Session Border Controller translates incoming H.323 messages to SIP on a secure connection (which means the Oracle® Enterprise Session Border Controller can rely on the data sent from the originator); it will translate the information in the H.323 messages into SIP messages as detailed in the following sections.

### Calls with Presentation Allowed

When the Oracle® Enterprise Session Border ControllerC receives a SETUP from the H.323 domain where presentation is allowed, it generates an INVITE to the SIP domain with the following header. (Presentation is allowed when the calling party's information element presentation indicator (octet 3a) equals 00.)

- P-Asserted-ID: the userpart should be derived from the Calling Party Number Information Element digits.

### H.323 to SIP

When h323d receives a SETUP with the calling party's information element presentation indicator set to allowed, the Oracle® Enterprise Session Border Controller will add the P-Asserted-Identity header to the INVITE. The P-Asserted-Identity is very similar to the FROM header, except for the tag.

### Sample SETUP sent from h323d to Remote H323 Endpoints

```

Q.931
Protocol discriminator: Q.931
Call reference value length: 2
Call reference flag: Message sent from originating side
Call reference value: 2F62
Message type: SETUP (0x05)
Bearer capability
Information element: Bearer capability
Length: 3
...0 1000 = Information transfer capability: Unrestricted digital
information (0x08)
.00. .... = Coding standard: ITU-T standardized coding (0x00)
1... .... = Extension indicator: last octet
...1 0011 = Information transfer rate: 384 kbit/s (0x13)
.00. .... = Transfer mode: Circuit mode (0x00)
1... .... = Extension indicator: last octet
...0 0101 = User information layer 1 protocol: Recommendation H.221 and
H.242 (0x05)
1... .... = Extension indicator: last octet
Display 'jdoe\000'
Information element: Display
Length: 9
Display information: jdoe\000
Calling party number: '42343'
Information element: Calling party number

```

```

Length: 6
.... 1001 = Numbering plan: Private numbering (0x09)
.110 .... = Number type: Abbreviated number (0x06)
0... .... = Extension indicator: information continues through the next
octet
.... ..00 = Screening indicator: User-provided, not screened (0x00)
.00. .... = Presentation indicator: Presentation allowed (0x00)
1... .... = Extension indicator: last octet
Calling party number digits: 42343

```

## SIP to H.323

When the sipd receives an INVITE with the P-Asserted-Identity header but without the Privacy header, the Oracle® Enterprise Session Border Controller will set the presentation indicator to allowed in H.323's SETUP.

When the Privacy header is present with the value id, the presentation indicator will be set to restricted. The Oracle® Enterprise Session Border Controller does not support any other value for the Privacy header and so for those call flows, the presentation indicator will be absent in the SETUP.

### Example 1 INVITE from sip EP to sipd

```

Apr 20 04:43:54.220 On [0:0]192.168.200.68:5060 received from
192.168.200.6:5062
INVITE sip:800@192.168.200.68:5060 SIP/2.0
Via: SIP/2.0/UDP 192.168.200.6:5062
From: sipp <sip:7789@192.168.200.6:5062>;tag=1
To: sut <sip:800@192.168.200.68:5060>
P-Asserted-Identity: sipp <sip:7789@192.168.200.6:5062>
Call-ID: 1.1336.192.168.200.6@sipp.call.id
Cseq: 1 INVITE
Contact: sip:7789@192.168.200.6:5062
Max-Forwards: 70
Subject: Performance Test
Content-Type: application/sdp
Content-Length: 136
^M
v=0
o=user1 53655765 2353687637 IN IP4 127.0.0.1
s=-
t=0 0
c=IN IP4 127.0.0.1
m=audio 10000 RTP/AVP 0
a=rtpmap:0 PCMU/8000

```

### Example INVITE from sipd to h323d

```

Apr 20 04:43:54.240 On 127.0.0.1:5070 received from 127.0.0.1:5060
INVITE sip:800@127.0.0.1:5070;acme_sag=sag1;acme_irealm=internal SIP/2.0
Via: SIP/2.0/UDP 127.0.0.1:5060;branch=z9hG4bK000c0210385hv9gpt001.1
From: sipp <sip:7789@192.168.200.6:5062>;tag=SDk0jpc01-1

```

```

To: sut <sip:800@192.168.200.68:5060>
Call-ID: SDK0jpc01-8e15e11e7f9a20523462972843c7e579-06ahc21
Cseq: 1 INVITE
Contact: <sip:7789@192.168.200.68:5060;transport=udp>
Max-Forwards: 69
Subject: Performance Test
Content-Type: application/sdp
Content-Length: 136
GenericID: 160400004@000825010100
v=0
o=user1 53655765 2353687637 IN IP4 127.0.0.1
s=-
t=0 0
c=IN IP4      127.0.0.1
m=audio 10000 RTP/AVP 0
a=rtpmap:0 PCMU/8000
Sample SETUP sent from h323d to remote H323 EP
Q.931
    Protocol discriminator: Q.931
Call reference value length: 2
    Call reference flag: Message sent from originating side
    Call reference value: 664D
    Message type: SETUP (0x05)
    Bearer capability
        Information element: Bearer capability
        Length: 3
        ...1 0000 = Information transfer capability: 3.1 kHz audio
(0x10)
        .00. .... = Coding standard: ITU-T standardized coding (0x00)
        1... .... = Extension indicator: last octet
        ...1 0000 = Information transfer rate: 64 kbit/s (0x10)
        .00. .... = Transfer mode: Circuit mode (0x00)
        1... .... = Extension indicator: last octet
        ...0 0011 = User information layer 1 protocol: Recommendation
G.711 A-law (0x03)
        1... .... = Extension indicator: last octet
    Display 'sipp'
        Information element: Display
        Length: 4
        Display information: sipp
    Calling party number: '7789'
        Information element: Calling party number
        Length: 6
        .... 1001 = Numbering plan: Private numbering (0x09)
        .110 .... = Number type: Abbreviated number (0x06)
        0... .... = Extension indicator: information continues through
the next octet
        .... ..00 = Screening indicator: User-provided, not screened (0x00)
        .00. .... = Presentation indicator: Presentation all 1... ..
= Extension indicator: last octet
    Calling party number digits: 7789

```

## IWF Privacy Extensions for Asserted Identity in Untrusted Networks

For IWF privacy, the Oracle® Enterprise Session Border Controller supports:

- IWF caller privacy on unsecure networks—A variant of RFC 3325, where the P-Asserted-Id is inserted when the presentation indicator is set to allowed. This feature enables bi-directional SIP/H.323 IWF support for CPID hiding by using the presentation indicators in the Calling Party Number information element for H.323 signaling, and RFC 3325-based privacy support for SIP signaling. It allows the Oracle® Enterprise Session Border Controller to insert the P-Asserted-Identity and the Privacy header in the INVITE when the presentation indicator is set to restricted.  
The presence, or absence, of P-Asserted-Identity and Privacy headers in the SIP INVITE informs the remote SIP proxy or endpoint to either block or advertise the CPID.
- IWF caller privacy on secure connections—When the H.323 endpoint sends a SETUP with presentation indicator set to allowed, the Oracle® Enterprise Session Border Controller does not insert the P-Asserted-Identity in the INVITE. The SIP INVITE needs the P-Asserted-Identity header to support calling line identification presentation (CLIP) to calling line identification restriction (CLIR) in an IP multimedia subsystem (IMS) solution. This feature allows the Oracle® Enterprise Session Border Controller to insert the P-Asserted-Identity in the INVITE when the presentation indicator is set to allowed.

Now the Oracle® Enterprise Session Border Controller supports an enhancement to IWF caller privacy where the P-Preferred-Identity is inserted instead of the P-Asserted-Identity.

In this implementation, when the incoming H.323 Setup message has a presentation indicator set to restricted and the ingress H.323 session agent has the new PPreferredId option configured, the Oracle® Enterprise Session Border Controller sends the Privacy header with P-Preferred-Identity (instead of P-Asserted-Identity).

### IWF Call Originating in H.323

This section shows an example H.323 Setup that arrives from an H.323 endpoint, and how the Oracle® Enterprise Session Border Controller adds the P-Preferred-Identity header (which has calling party number information) and the Privacy header to the SIP INVITE.

### Sample H.323 Setup from a Remote Endpoint

```
Q.931
  Protocol discriminator: Q.931
  Call reference value length: 2
  Call reference flag: Message sent from originating side
  Call reference value: 2FB6
  Message type: SETUP (0x05)
  Bearer capability
    Information element: Bearer capability
    Length: 3
```

```

        ...0 1000 = Information transfer capability: Unrestricted
digital information (0x08)
        .00. .... = Coding standard: ITU-T standardized coding (0x00)
        1... .... = Extension indicator: last octet
        ...1 0011 = Information transfer rate: 384 kbit/s (0x13)
        .00. .... = Transfer mode: Circuit mode (0x00)
        1... .... = Extension indicator: last octet
...0 0101 = User information layer 1 protocol: Recommendation H.221 and
H.242 (0x05)
        1... .... = Extension indicator: last octet
Display 'rdoe\000'
        Information element: Display
        Length: 9
        Display information: jdoe\000
Calling party number: '42343'
        Information element: Calling party number
        Length: 6
        .... 0001 = Numbering plan: E.164 ISDN/telephony numbering
(0x01)
        .000 .... = Number type: Unknown (0x00)
        0... .... = Extension indicator: information continues through
the next octet
        .... ..00 = Screening indicator: User-provided, not screened
(0x00)
        .01. .... = Presentation indicator: Presentation restricted
(0x01)
        1... .... = Extension indicator: last octet
        Calling party number digits: 42343
E.164 Calling party number digits: 42343
        Called party number: '780'
        Information element: Called party number
        Length: 4
        .... 0001 = Numbering plan: E.164 ISDN/telephony numbering
(0x01)
        .000 .... = Number type: Unknown (0x00)
        1... .... = Extension indicator: last octet
        Called party number digits: 780
        E.164 Called party number digits: 780
User-user
        Information element: User-user
        Length: 161
        Protocol discriminator: X.208 and X.209 coded user information

```

## Sample SIP INVITE from the SBC to a SIP Endpoint

```

Aug 29 15:46:25.214 On [0:0]192.168.200.68:5060 sent to
192.168.200.6:5060
INVITE sip:780@192.168.200.6:5060 SIP/2.0
Via: SIP/2.0/UDP
192.168.200.68:5060;branch=z9hG4bK6810pr20205h2akqe381.1
Contact: "Anonymous"<sip:anonymous@192.168.200.68:5060;transport=udp>
Supported: 100rel
From:
"Anonymous"<sip:anonymous@anonymous.invalid>;tag=SDfd9sa01-000000ba00023

```

```

280
To: <sip:780@192.168.200.6:5060>
Call-ID: SDfd9sa01-6f93292521b83a0980647f34451c5afd-06ahc21
CSeq: 2 INVITE
P-Preferred-Identity: "rdoe"<sip:42343@192.168.200.68:5060>
<b>Privacy: id<\b>
Content-Length: 180
Content-Type: application/sdp
Max-Forwards: 70
v=0
o=IWF 5 5 IN IP4 192.168.200.5
s=H323 Call
c=IN IP4 192.168.200.65
t=0 0
m=audio 5010 RTP/AVP 0
a=rtpmap:0 PCMU/8000/1
m=video 5014 RTP/AVP 31
a=rtpmap:31 H261/9000/1

```

## Before You Configure

Before you configure your Oracle® Enterprise Session Border Controller to support this feature, note the following considerations:

- The ingress H.323 session agent cannot be configured with the NoPAssertedId option
- For use in Release 4.1.1 and higher, the global SIP configuration should be configured with the disable-ppi-to-pai option; the older disable-privacy option will also work

## P-Preferred-Identity Configuration

To enable the inclusion of P-Preferred-Identity:

1. In Superuser mode, type **configure terminal** and press Enter.

```
ORACLE# configure terminal
```

2. Type **session-router** and press Enter.

```
ORACLE(configure)# session-router
ORACLE(session-router)#
```

3. Type **session-agent** and press Enter. The system prompt changes to let you know that you can begin configuring individual parameters.

```
ORACLE(session-router)# session-agent
ORACLE(session-agent)#
```

4. Select the session agent where you want to apply this feature.

```
ORACLE(session-agent)# select
<hostname>:
```

```
1: 204.12.60.5      realm=private
2: 124.21.5.3      realm=public
selection:1
ORACLE(session-agent)#
```

5. **options**—Set the options parameter by typing **options**, a Space, the option name preceded by a plus sign (+) (**PPreferredId**), and then press Enter.

```
ORACLE(realm-config)# options +PPreferredId
```

**If you type options PPreferredId, you will overwrite any previously configured options. In order to append the new option to the session agent's options list, you must prepend the new option with a plus sign as shown in the previous example.**

6. Save and activate your configuration.

## IWF Privacy for Business Trunking

The Oracle® Enterprise Session Border Controller supports IWF Privacy: Caller Privacy on Unsecure Networks and IWF Privacy: Caller Privacy on Secure Connections, but IWF Privacy for Business Trunking, supports the case where SIP and H.323 PBXs are connected to the core IMS system. Traffic originated at the IP PBXs terminates either at other PBXs or at the PSTN, and includes the possibility of accepting incoming traffic from the PSTN. CLIP and CLIR must be supported for calls in either direction for calls that require interworking between SIP and H.323. Unlike the two features described above, this new feature supports the fact that only a network-based application server has sufficient privilege to assert the identity of the calling party.

Thus, for this feature, the Oracle® Enterprise Session Border Controller does not force privacy. Instead, the implemented feature assumes that the H.323 session agent is an IP PB X, and the Oracle® Enterprise Session Border Controller only indicates to the SIP core that privacy is being requested. In other words, the Oracle® Enterprise Session Border Controller is not required to interwork the H.323 presentation indicator parameter to RFC 3325 by including the P-Asserted-Identity header. The indication to the SIP core that privacy is being requested excludes identity assertion.

You configure this feature using two session agent options:

- **allowCPN**—Set in the egress H.323 session agent, allows the Oracle® Enterprise Session Border Controller to send the calling party number information element (IE), even when the presentation indicator is set to restricted.
- **NoPAssertedId**—Set in the ingress H.323 session agent; when the incoming SETUP message has the presentation indicator is set to restricted, instructs the Oracle® Enterprise Session Border Controller to send a Privacy header without the P-Asserted-Identity and not to make the From header anonymous.

## A Call Originating in H.323

This section describes for the IWF Privacy for Business trunking feature works for a call originating in H.323 that requires interworking to SIP.

When the Oracle® Enterprise Session Border Controller receives an H.323 SETUP with a presentation indicator of the calling party information element (IE) is set to restricted and this SETUP was received from a session agent is configured with the NoPAssertedID option, the Oracle® Enterprise Session Border Controller only adds the Privacy header with the value ID. In this case, there will be no P-Asserted-Identity and the From header will contain the calling Party information that was extracted from the callingPartyIE. The Oracle® Enterprise Session Border Controller assumes that the PBX will send the callingPartyNumber in the IE, even though it would like to have the calling party number restricted.

## Sample SETUP Message from an H.323 Endpoint

```
Q.931
  Protocol discriminator: Q.931
  Call reference value length: 2
  Call reference flag: Message sent from originating side
  Call reference value: 2FB6
  Message type: SETUP (0x05)
  Bearer capability
    Information element: Bearer capability
Length: 3
  ...0 1000 = Information transfer capability: Unrestricted
digital information (0x08)
  .00. .... = Coding standard: ITU-T standardized coding (0x00)
  1... .... = Extension indicator: last octet
  ...1 0011 = Information transfer rate: 384 kbit/s (0x13)
  .00. .... = Transfer mode: Circuit mode (0x00)
  1... .... = Extension indicator: last octet
  ...0 0101 = User information layer 1 protocol: Recommendation
H.221 and H.242 (0x05)
  1... .... = Extension indicator: last octet
  Display 'jdoe\000'
  Information element: Display
Length: 9
  Display information: jdoe\000
  Calling party number: '42343'
  Information element: Calling party number
  Length: 6
  .... 0001 = Numbering plan: E.164 ISDN/telephony numbering
(0x01)
  .000 .... = Number type: Unknown (0x00)
  0... .... = Extension indicator: information continues through
the next octet
  .... ..00 = Screening indicator: User-provided, not screened
(0x00)
  .01. .... = Presentation indicator: Presentation restricted
(0x01)
  1... .... = Extension indicator: last octet
  Calling party number digits: 42343
  E.164 Calling party number digits: 42343
  Called party number: '780'
  Information element: Called party number
  Length: 4
  .... 0001 = Numbering plan: E.164 ISDN/telephony numbering
```



```

(0x01)
    .000 .... = Number type: Unknown (0x00)
    1... .... = Extension indicator: last octet
    Called party number digits: 780
    E.164 Called party number digits: 780
User-user
    Information element: User-user
    Length: 161
    Protocol discriminator: X.208 and X.209 coded user information

```

## Sample INVITE from the Oracle® Enterprise Session Border Controller to the SIP Endpoint

```

May  5 15:11:51.996 On [0:0]192.168.200.68:5060 sent to
192.168.200.6:5060
INVITE sip:780@192.168.200.6:5060 SIP/2.0
Via: SIP/2.0/UDP
192.168.200.68:5060;branch=z9hG4bK00020a20eg11s94pg700.1
Contact: "jdoe"<sip:42343@192.168.200.68:5060;transport=udp>
Supported: 100rel
From:
"jdoe"<sip:42343@192.168.200.68:5060>;tag=SDetur801-00000194000e2ce8
To: <sip:780@192.168.200.6:5060>
Call-ID: SDetur801-231c7b30909ca525ce12cbfeb57754ea-06ahc21
CSeq: 2 INVITE
Privacy: id
Content-Length: 231
Content-Type: application/sdp
Max-Forwards: 70
v=0
o=IWF 2 2 IN IP4 192.168.200.65
s=H323 Call
c=IN IP4 192.168.200.65
t=0 0
m=audio 5004 RTP/AVP 8 0
a=rtpmap:8 PCMA/8000
a=rtpmap:0 PCMU/8000/1
m=video 5006 RTP/AVP 31 34
a=rtpmap:31 H261/8000
a=rtpmap:34 H263/9000/1

```

## A Call Originating in SIP

This section describes for the IWF Privacy for Business trunking feature works for a call originating in SIP that requires interworking to H.323.

When the Oracle® Enterprise Session Border Controller receives a SIP INVITE with a Privacy header that has the value ID, it sets the presentation indicator to restricted in the corresponding H.323 SETUP message. If the H.323 session agent is configured with the allowCPN option, the Oracle® Enterprise Session Border Controller sends the display IE and the calling party number to the H.323 session agent. If that option is not set in the H.323 session agent, then the Oracle® Enterprise Session Border Controller

reverts to its default behavior, which is to not to send the display IE and to hide the calling party number.

## Sample INVITE from a SIP Endpoint to the Oracle® Enterprise Session Border Controller

```
May 5 14:41:54.513 On [0:0]192.168.200.68:5060 received from
192.168.200.6:5060
INVITE sip:800@192.168.200.68:5060 SIP/2.0
Via: SIP/2.0/UDP 192.168.200.6:5060
From: sipp <sip:sipp@192.168.200.6:5060>;tag=1
To: sut <sip:800@192.168.200.68:5060>
Call-ID: 1.3068.192.168.200.6@sipp.call.id
Cseq: 1 INVITE
Contact: sip:sipp@192.168.200.6:5060
Privacy: id
P-Asserted-Identity: sipp <sip:1234@192.168.200.6:5060>
Max-Forwards: 70
Subject: Performance Test
Content-Type: application/sdp
Content-Length: 136
v=0
o=user1 53655765 2353687637 IN IP4 127.0.0.1
s=-
t=0 0
c=IN IP4 127.0.0.1
m=audio 10000 RTP/AVP 0
a=rtpmap:0 PCMU/8000
```

## Sample SETUP from the Oracle® Enterprise Session Border Controller to the H.323 Endpoint

```
Q.931
  Protocol discriminator: Q.931
  Call reference value length: 2
  Call reference flag: Message sent from originating side
  Call reference value: 44B0
  Message type: SETUP (0x05)
  Bearer capability
    Information element: Bearer capability
    Length: 3
    ...1 0000 = Information transfer capability: 3.1 kHz audio
(0x10)
    .00. .... = Coding standard: ITU-T standardized coding (0x00)
    1... .... = Extension indicator: last octet
    ...1 0000 = Information transfer rate: 64 kbit/s (0x10)
    .00. .... = Transfer mode: Circuit mode (0x00)
    1... .... = Extension indicator: last octet
    ...0 0011 = User information layer 1 protocol: Recommendation
G.711 A-law (0x03)
  1... .... = Extension indicator: last octet
Display 'sipp'
```

```

Information element: Display
Length: 4
Display information: sipp
Calling party number: '1234'
Information element: Calling party number
Length: 6
.... 0001 = Numbering plan: E.164 ISDN/telephony numbering
(0x01)
.010 .... = Number type: National number (0x02)
0... .... = Extension indicator: information continues through
the next octet
.... ..00 = Screening indicator: User-provided, not screened
(0x00)
.01. .... = Presentation indicator: Presentation restricted
(0x01)
1... .... = Extension indicator: last octet
Calling party number digits: 1234
E.164 Calling party number digits: 1234
Called party number: '800'
Information element: Called party number
Length: 4
.... 0001 = Numbering plan: E.164 ISDN/telephony numbering (0x01)
.010 .... = Number type: National number (0x02)
1... .... = Extension indicator: last octet
Called party number digits: 800
E.164 Called party number digits: 800
User-user
Information element: User-user
Length: 159
Protocol discriminator: X.208 and X.209 coded user information

```

## allowCPN Configuration

You can set both of these options in the same H.323 session agent.

To set the allowCPN option for an H.323 session agent:

1. In Superuser mode, type **configure terminal** and press Enter.

```
ORACLE# configure terminal
```

2. Type **session-router** and press Enter.

```
ORACLE(configure)# session-router
```

3. Type **session-agent** and press Enter. The system prompt changes to let you know that you can begin configuring individual parameters.

```
ORACLE(session-router)# session-agent
```

4. Use the ACLI **select** command so that you can work with the session agent configuration to which you want to add this option.

```
ORACLE(session-agent)# select
```

5. **options**—Set the options parameter by typing **options**, a Space, the option name **allowCPN** with a plus sign in front of it, and then press Enter.

```
ORACLE(session-agent)# options +allowCPN
```

**If you type options allowCPN (without the plus sign), you will overwrite any previously configured options. In order to append the new option to the session-agent's options list, you must prepend the new option with a plus sign as shown in the previous example.**

6. Save and activate your configuration.  
To set the NoPAssertedId option for an H.323 session agent:
7. In Superuser mode, type **configure terminal** and press Enter.

```
ORACLE# configure terminal
```

8. Type **session-router** and press Enter.

```
ORACLE(configure)# session-router
```

9. Type **session-agent** and press Enter. The system prompt changes to let you know that you can begin configuring individual parameters.

```
ORACLE(session-router)# session-agent
```

10. Use the ACLI **select** command so that you can work with the session agent configuration to which you want to add this option.

```
ORACLE(session-agent)# select
```

11. **options**—Set the options parameter by typing **options**, a Space, the option name **NoPAssertedId** with a plus sign in front of it, and then press Enter.

```
ORACLE(session-agent)# options +NoPAssertedId
```

**If you type options NoPAssertedId (without the plus sign), you will overwrite any previously configured options. In order to append the new option to the session-agent's options list, you must prepend the new option with a plus sign as shown in the previous example.**

12. Save and activate your configuration.

## Trunk Group Documentation

The Oracle® Enterprise Session Border Controller supports routing using trunk groups within the context of SIP and H.323 interworking. Refer to the [Trunk Group URI](#) section of the SIP Signaling chapter for full explanation of Trunk Group and Trunk Context support and configuration.

This documentation was formerly duplicated in this IWF chapter.

## IWF COLP COLR Support

When you enable the connected line identity presentation (COLP) and connected line identity restriction (COLR) feature for calls being translated between SIP and H.323, the Oracle® Enterprise Session Border Controller converts the H.323 Connected Number Information element (IE) to the SIP P-Asserted-Identity (PAI) header and vice versa.

When there is no Q.931 Connected Number IE, the Oracle® Enterprise Session Border Controller converts the H.225 Connected Address alias (either E.164 or Public Party Number).

This section describes show the IWF COLP/COLR feature works for IWF calls that originate in SIP and are translated to H.323, and for calls that originate in H.323 and are translated to SIP.

### SIP to H.323 Calls

For this type of call, the Oracle® Enterprise Session Border Controller checks the Connect that it receives for a Q.931 Connected Number IE. If it does not find one, then it continues by checking for H.225 Connected Address alias (either E.164 or Public Party Number). Then, it takes one of the following courses of action depending on circumstances:

- If it finds the Q.931 Connected Number IE, the Oracle® Enterprise Session Border Controller extracts the screening indicator and the presentation indicator.
- If there is no Q.931 Connected Number IE, the Oracle® Enterprise Session Border Controller extracts the screening indicator and the presentation indicator from the H.225 Connect-UUIE of the Connect message.

With these pieces of information in place, the Oracle® Enterprise Session Border Controller performs the conversion from H.323 Connected Number IE to SIP P-Asserted-Identity (PAI) header if and only if the screening indicator is either one of the following:

- Network provided
- User-provided, verified and passed

Then the Oracle® Enterprise Session Border Controller adds a SIP PAI header (with URI value) to the 200 OK message that it sends in the SIP call leg. The user part of the URI is set to the value of the Q.931 Connected Number IE's numberDigits field, or to dialDigits value from the Connected Address alias. When the number type is a national number, the Oracle® Enterprise Session Border Controller adds a plus sign (+) and the IWF country code (that you configure) to the beginning of the user part. If the number type is an international number, the Oracle® Enterprise Session Border Controller only adds a plus sign (+). And when the Connected Number is empty, the Oracle® Enterprise Session Border Controller sets the user part of the PAI header URI to anonymous. When the value in the presentation indicator is Presentation restricted, the Oracle® Enterprise Session Border Controller adds the SIP Privacy header (with the value id) to the 200 OK.

In cases when it does not find a screening indicator, the Oracle® Enterprise Session Border Controller will not perform the conversion from the H.323 Connected Number IE to the SIP P-Asserted-Identity (PAI) header.

## H.323 to SIP Calls

For this type of call, the Oracle® Enterprise Session Border Controller checks the 200 OK message for a SIP PAI header and a SIP Privacy header. Before it sends a Connect message on the H.323 call leg, the Oracle® Enterprise Session Border Controller generates a Connected Number. It uses the Connected Number to insert a Q.931 Connected Number IE and an H.225 Connected Address alias (type E.164) into the Connect message. The Connected Number is generated in this way:

- If the
  - SIP PAI header is not found, or
  - User part of its URI value is unknown or anonymous, or
  - User part of its URI does not follow the H.225 NumberDigits syntax, then the Connect Number that the Oracle® Enterprise Session Border Controller generates is a Q.931 Connected Number IE that has no digits and a number type of unknown. In this case, the Oracle® Enterprise Session Border Controller will not insert an H.225 Connected Address alias into the Connect message.

The presentation indicator is set to Number not available due to interworking, and the screening indicator to Network provided. The H.225 NumberDigits's syntax requires that it be between 1 and 128 characters, and only contain these characters: 0 through 9, the pound sign (#), the asterisk (\*), and the comma (,).

- In all other cases, the Oracle® Enterprise Session Border Controller uses the user part of the URI as the digits for the Connected Number after it performs the following:
  - Strips the plus sign in front of the number, if there is one
  - Strips the IWF country code at the beginning of the number, if there is one

Then the Oracle® Enterprise Session Border Controller inserts the Connected Number into the Connect message as the Q.931 Connected Number IE and an H.225 Connected Address alias (type E.164).

If the IWF country code is found in the PAI, the Oracle® Enterprise Session Border Controller sets the type of Q.931 Connected Number IE to National Number. Otherwise, the Oracle® Enterprise Session Border Controller sets it to international. The screening indicator is set to Network provided, and the presentation indicator is set to Presentation Restricted if the Oracle® Enterprise Session Border Controller finds a SIP Privacy header with a value of id, or Presentation Allowed if there is not SIP Privacy header.

## IWF COLP COLR Configuration

You configure IWF COLP/COLR support in the IWF configuration by setting two options:

- **colp-colr-iwf**—Setting this option enables support for IWF COLP/COLR
- **colp-colr-country-code**—Must be set if you configure the **colp-colr-iwf** option to recognize or build a national number; the value you enter here:
  - Must be a string of digits from 0 to 9

- Cannot exceed 32 digits
  - Cannot contain any non-numeric characters; while it allows you to enter them, the system ignores any non-digits characters and so the feature might not work as needed
- To enable IWF COLP/COLR support:

1. In Superuser mode, type **configure terminal** and press Enter.

```
ORACLE# configure terminal
```

2. Type **media-manager** and press Enter to access the signaling-related configurations.

```
ORACLE(configure)# session-router
```

3. Type **iwf-config** and press Enter. The system prompt will change to let you know that you can configure individual

```
ORACLE(session-router)# iwf-config
```

4. **options**—Set the options parameter by typing **options**, a Space, the option names with a plus sign in front, and then press Enter.

Your entry for the **colp-colr-country-code** option require that you type in the entire option name, an equal sign (=), and then the country code value.

To enter both options at once, separate the two with one command and enclose your entire entry in quotation marks ("); see the following example for command-line syntax.

```
ORACLE(iwf-config)# options +colp-colr-iwf,colp-colr-country-code=1
```

**If you type this enter without the plus sign, you will overwrite any previously configured options. In order to append options to the IWF configuration's options list, you must prepend the new options with a plus sign as shown in the previous example.**

5. Save and activate your configuration.

## Options for Calls that Require the IWF

You can configure several specific behaviors by configuring options for calls that require the IWF, and set them for the H.323 side of the call. These options are listed and defined in the table below. Options can be configured either globally for the H.323 configuration, individually for an H.323 interface, or for H.323 session agents.

### Global Configuration for H.323

To configure options globally for H.323:

1. In Superuser mode, type **configure terminal** and press Enter.

```
ORACLE# configure terminal
```

2. Type **session-router** and press Enter to access the session-related configurations.

```
ORACLE(configure)# session-router
```

3. Type **h323** and press Enter.

```
ORACLE(session-router)# h323
```

From this point, you can configure H.323 parameters. To view see all H.323 parameters, enter a **?** at the system prompt.

4. Type **options**, a space, and the name of the option you want to use. In this example, the MapG729 will map H.245 G.729 to SDP G.729 with Annex B and vice versa.

```
ORACLE(h323)# options MapG729
```

## Individual Configuration for H.323

To configure options per individual H.323 interface:

1. In Superuser mode, type **configure terminal** and press Enter.

```
ORACLE# configure terminal
```

2. Type **session-router** and press Enter to access the session-related configurations.

```
ORACLE(configure)# session-router
```

3. Type **h323** and press Enter.

```
ORACLE(session-router)# h323
```

4. Type **h323-stacks** and press Enter. The system prompt changes again to let you know that you can begin configuring individual parameters.

```
ORACLE(h323)# h323-stacks  
ORACLE(h323-stack)#
```

From this point, you can configure H.323 interface parameters. To view see all H.323 interface parameters, enter a **?** at the system prompt.

5. Type **options**, a space, and the name of the option you want to use. In this example, the MapG729 will map H.245 G.729 to SDP G.729 with Annex B and vice versa.

```
ORACLE(h323-stack)# options
```



## Configuring H.323 SA Options

To configure options for H.323 session agents:

1. In Superuser mode, type **configure terminal** and press Enter.

```
ORACLE# configure terminal
```

2. Type **session-router** and press Enter to access the session-related configurations.

```
ORACLE(configure)# session-router
```

3. Type **session-agent** and press Enter.

```
ORACLE(session-router)# session-agent
```

From this point, you can configure session agent parameters. To view see all session agent parameters, enter a **?** at the system prompt.

4. Type **options**, a space, and the name of the option you want to use. In this example, the MapG729 will map H.245 G.729 to SDP G.729 with Annex B and vice versa.

```
ORACLE(h323-stack)# options MapG729
```

## H.323 SA Options

Options	Description
MapG729	Oracle® Enterprise Session Border Controller maps H.245 G.729 to SDP G.729 with Annex B and vice versa. Applicable only to calls that require the IWF.
ColonG729	Oracle® Enterprise Session Border Controller uses the : (colon) instead of the = (equal sign) in the media attribute line a=fmtp:18 annexb=yes/no when mapping H.245 G.729 or SDP G.729 with Annex B. Applicable only to calls that require the IWF.
IwfLRQ	Oracle® Enterprise Session Border Controller sends an INVITE (with no SDP) to a redirect server in response to an incoming LRQ received on an H.323 interface. If a 3xx message with a redirected contact header is returned, the Oracle® Enterprise Session Border Controller will send an LCF in response to the LRQ. Otherwise, it will send an LRJ.
NoG729AnnexB	SDP received by the IWF with H.729 and no FMTP will be mapped to G.729 on the H.323 side of the call. Can also be set in the session agent options parameter.
sameT38Port	Oracle® Enterprise Session Border Controller's H.323 process does not allocate separate ports for audio and T.38. Oracle® Enterprise Session Border Controller will send the same audio port in the OLCAck that it sees in a request mode for T.38 and a new OLC for T.38.
pvtStats	Oracle® Enterprise Session Border Controller includes program value tree (PVT) statistics in the show h323d display that are a sum of the PVT statistics for all H.323 interfaces. Used for debugging purposes.

Options	Description
acceptAll	Oracle® Enterprise Session Border Controller accepts all the codecs received in the SIP 200OK and builds the TCS accordingly.

## Suppress SIP Reliable Response Support for IWF

For IWF-originated calls, the Oracle® Enterprise Session Border Controller now allows you to configure the suppression of the SIP 100rel option tag on a per-H.323 interface (stack) basis.

When a call originates on the H.323 side for a call that requires interworking between H.323 and SIP, the Oracle® Enterprise Session Border Controller inserts the 100rel option tag in the Supported header of the outgoing SIP INVITE. Although this behavior is required for RFC 3262 conformance, and is ignored by endpoints that do not support this RFC, suppressing the reliable response can alleviate processing burdens and avoid the possibility that an endpoint could mishandle the response.

In addition, enabling this feature suppresses the same 100rel options tag in the Required header for outgoing IWF responses for which an incoming SIP INVITE had that same tag in its Supported header. If an incoming INVITE requires reliable provisional responses and the SIP feature configuration is set to accept the 100rel, the Oracle® Enterprise Session Border Controller then includes the 100rel option tag in the outgoing response's Required header. When the SIP feature is not so configured, the Oracle® Enterprise Session Border Controller rejects the INVITE with a 420 Bad Extension response.

Without this option, you can suppress the reliable response on a global basis or per SIP next-hop by using the SIP feature configuration. However, using this feature allows a finer degree of granularity by making the functionality only applicable to IWF calls that originate in H.323.

### suppress100rel Configuration

To suppress the SIP 100rel option tag:

1. In Superuser mode, type **configure terminal** and press Enter.

```
ORACLE# configure terminal
```

2. Type **session-router** and press Enter.

```
ORACLE(configure)# session-router
```

3. Type **h323** and press Enter.

```
ORACLE(session-router)# h323  
ORACLE(h323)#
```

4. Type **h323-stacks** and press Enter.

```
ORACLE(h323)# h323-stacks  
ORACLE(h323-stack)#
```

If you are adding support for this feature to a pre-existing H.323 interface (stack), then you must select (using the ACLI **select** command) the configuration that you want to edit.

5. **options**—Set the options parameter by typing **options**, a Space, the option name **suppress100rel** with a plus sign in front of it, and then press Enter.

```
ORACLE(h323-stack)# options +suppress100rel
```

**If you type options** and then the option value for either of these entries **without the plus sign, you will overwrite any previously configured options. In order to append the new option to this configuration's options list, you must prepend the new option with a plus sign as shown in the previous example.**

## IWF Codec Negotiation H.323 Slow Start to SIP

For instances when the Oracle® Enterprise Session Border Controller is translating a call initiated in H.323 slow start to SIP, you can enable a setting in the IWF configuration that prevents the sending an SDP offer in the SIP INVITE. Instead, the Oracle® Enterprise Session Border Controller expects to see an SDP offer from the SIP endpoint in a provisional or reliable/provisional 200 OK, and then sends an answer in an ACK or PRACK.

With this parameter disabled (default), the Oracle® Enterprise Session Border Controller populates the SIP INVITE with SDP based on the media profiles applied to the ingress H.323 session agent or the IWF configuration.

## IWF Codec Negotiation Configuration

To prevent the Oracle® Enterprise Session Border Controller from sending an SDP offer in the SIP INVITE for a call being translated between H.323 slow start and SIP:

1. In Superuser mode, type **configure terminal** and press Enter.

```
ORACLE# configure terminal
ORACLE(configure)#
```

2. Type **session-router** and press Enter.

```
ORACLE(configure)# session-router
ORACLE(session-router)#
```

3. Type **iwf-config** and press Enter.

```
ORACLE(session-router)# iwf-config
ORACLE(iwf-config)#
```

4. **slow-start-no-sdp-in-invite**—Enable this parameter if you want to prevent the Oracle® Enterprise Session Border Controller from sending an SDP offer in the SIP INVITE for an IWF call initiated in H.323 slow start (being translated to SIP). The default is disabled. Valid values are:
  - enabled | disabled
5. Save and activate your configuration.

## IWF H.245 Signaling Support for G.726

In addition to providing G.726 support for pure SIP and pure H.323 calls, the Oracle® Enterprise Session Border Controller supports the G.726 payload type for H.245 and calls that require interworking (IWF) between SIP and H.323.

For IWF calls using ITU-T G.726 as the audio codec, the SIP call leg requires G.726 in the SDP. The H.323 side of the call signals G.726 (in the H.245 openLogicalChannel and TerminalCapabilitySet messages) by including a GenericCapability defining G.726 as the codec. In the GenericCapability, the capabilityIdentifier and maxBitRate parameters identify G.726. While a capabilityIdentifier with 0.0.7.726.1.0 designates G.726, the maxBitRate designate the data transmission rate.

Codec	Max Bit Rate	Data Rate
G726-16	160	16 kbit/s
G726-24	240	24 kbit/s
G726-32	320	32 kbit/s
G726-40	400	40 kbit/s

To support G.726 for IWF calls, the Oracle® Enterprise Session Border Controller converts the G726-X value in the SDP of SIP messages to a GenericCapability structure in H.323/H.245 messages, and the conversion works the same way in reverse.

## H.245 and G.726 Configuration

To enable this feature, you do need to set up media profile configurations appropriately. Media profiles now allow you to set the configuration to any of the four G.726 encodings (as defined by ITU G726 Annex B and RFC 3551). You must create one media profile for each of the four different supported data rates. In addition, you are also required to set a genericAudioCapability media profile.

### Media Profile for H.245 and G.726 Configuration

To set a media profile for H.245 and IWF G.726 support:

1. In Superuser mode, type **configure terminal** and press Enter.

```
ORACLE# configure terminal
ORACLE(configure)#
```

2. Type **session-router** and press Enter.

```
ORACLE(configure)# session-router
```

3. Type **media-profile** and press Enter.

```
ORACLE(session-router)# media-profile
ORACLE(media-profile)#
```

4. **name**—Set the name of the media profile to G726-16. Values to support this feature are: G726-16, G726-24, G726-32, and G726-40.
5. **media-type**—Set the media type to use for this media profile; for generic video, set this parameter to **audio**. Valid values are:
  - audio | video | application | data
6. **payload-type**—Set the payload type to use for the generic video media profile.
7. **transport**—Set the transport type to use for the generic video media profile. The default value is **RTP/AVP**. Valid values are:
  - UDP | RTP/AVP
8. Complete the rest of the media profile configuration as needed.
9. Save and activate your configuration.

The following is a sample of a media profile configuration for H.245/IWF G.726 support:

```
media-profile
  name                g726-40
  media-type          audio
  payload-type        105
  transport            RTP/AVP
  req-bandwidth       0
  frames-per-packet   0
  parameters
  average-rate-limit  0
  sdp-rate-limit-headroom 0
  sdp-bandwidth       disabled
```

## Media Profile Configuration for Generic Audio Support

To set a media profile for generic audio support:

1. In Superuser mode, type **configure terminal** and press Enter.

```
ORACLE# configure terminal
ORACLE(configure)#
```

2. Type **session-router** and press Enter.

```
ORACLE(configure)# session-router
```

3. Type **media-profile** and press Enter.

```
ORACLE(session-router)# media-profile
ORACLE(media-profile)#
```

4. **name**—Set the name of the generic audio media profile to genericAudioCapability. There is no default for this parameter.
5. **media-type**—Set the media type to use for this media profile; for generic video, set this parameter to **audio**. Valid values are:
  - audio | video | application | data

6. **payload-type**—Set the payload type to use for the generic audio media profile.
7. **transport**—Set the transport type to use for the generic audio media profile. The default value is **RTP/AVP**. Valid values are:
  - UDP | RTP/AVP
8. Complete the rest of the media profile configuration as needed.
9. Save and activate your configuration.

The following is a sample of a generic audio media profile configuration:

```
media-profile
  name                genericAudioCapability
  media-type          audio
  payload-type        104
  transport            RTP/AVP
  req-bandwidth       0
  frames-per-packet   0
  parameters
    average-rate-limit 0
    sdp-rate-limit-headroom 0
    sdp-bandwidth       disabled
```

## Flow Control Mapping for Interworking Function (IWF) Video

H.245 is a protocol for the transmission of call management and control signals in networks using H.323 equipment. The H.245 specification is used in audio, video, and data transmissions, as well as in voice over IP (VoIP). H.245 messages are sent over special channels called H.245 control channels.

H.245 signaling is used to manage and control call setup and connection. Functions of H.245 include determining which endpoint is to be the master and which is to be the slave during the call, opening and closing of multiplexed data-transfer paths between the endpoints, establishing an upper limit to the data transfer speed on each logical channel, information exchanges between endpoints concerning the types of data each endpoint can send and receive, requests by the receiving endpoint for changes in the mode of the data sent by the transmitting endpoint, and requests by either endpoint to end the call.

In the H.245 standard, the FlowControlCommand message is used to specify the upper limit of bit rate of either a single logical channel or the whole multiplex. The following is an excerpt from the H.245 standard.

Command Message: Flow Control (from H.245 standard)

```
=====
FlowControlCommand ::= SEQUENCE
{
    scope CHOICE
    {
        logicalChannelNumber LogicalChannelNumber,
        resourceID INTEGER (0..65535),
        wholeMultiplex NULL
    },
    restriction CHOICE
```

```

    {
      maximumBitRate INTEGER (0..16777215), -- units 100 bit/s
      noRestriction NULL
    },
    ...
  }
=====

```

A terminal may send this command to restrict the bit rate that the far-end terminal sends. A receiving terminal must comply with this command.

In an H.323 environment, the Oracle® Enterprise Session Border Controller previously used the FlowControlCommand to map to SIP using either the Real-Time Control Protocol (RTCP) feedback function, or the SIP signaling path (for example, the INFO method).

The Oracle® Enterprise Session Border Controller now supports the SIP counter part of the H.245 FlowControlCommand using the SIP signaling path with the INFO method. The Oracle® Enterprise Session Border Controller sends the SIP INFO message with "change\_bitrate" rate parameter that has the value 100\* maxBitRate from the corresponding H.245 FlowControlCommand message. For example, in the following messages, the incoming H.323 message with the H.245 FlowControlCommand, is converted into the outgoing SIP INFO message with the message body.

Incoming H.323 Message with H.245 FlowControlCommand:

```

H.245
PDU Type: command (2)
  command: flowControlCommand (4)
    flowControlCommand
      scope: logicalChannelNumber (0)
        logicalChannelNumber: 102
      restriction: maximumBitRate (0)
        maximumBitRate: 4480

```

Outgoing SIP INFO Message:

```

Message Body
  eXtensible Markup Language
    <?xml
      version="1.0"
      encoding="utf-8"
    ?>
    <media_control>
      <vc_primitive>
        <to_encoder>
          <change_bitrate>
            4480000
          </change_bitrate>
        </to_encoder>
      </vc_primitive>
    </media_control>

```

## Customized G.729 Support

The Oracle® Enterprise Session Border Controller supports the use of custom G.729 encoding for calls that require interworking between SIP and H.323. If you use a proprietary G.729 encoding format in your network, then you might need to use this feature.

When you set the **acceptG729abFormat** option in the global H.323 configuration, the Oracle® Enterprise Session Border Controller performs conversions like those in the following examples:

- For calls initiated in SIP, the Oracle® Enterprise Session Border Controller can parse RTP map strings such as G.729a and G.729ab in the SDP, and then map them to H.245 data types.
  - G.729a becomes g729AnnexA.
  - G.729ab becomes g729AnnexAwAnnexB.
- For calls initiated in H.323, the Oracle® Enterprise Session Border Controller can create non-standard RTP map strings such as G.729a and G.729ab from mapped H.245 data types.
  - g729 becomes G729.
  - g729AnnexA becomes G.729a.
  - g729AnnexAwAnnexB becomes G.729ab.

When you enable the **acceptG729abFormat** option, the Oracle® Enterprise Session Border Controller performs customized G.729 mapping in the following instances.

- For calls initiated in SIP and translated to H.323, the Oracle® Enterprise Session Border Controller:
  - Converts the SDP in an incoming SIP INVITE to a list of fastStart OpenLogicalChannel requests that are in turn included in the outgoing Setup message.
  - Converts the list of fastStart OpenLogicalChannelAck responses (which can be received in any message up to and including the Connect message) to SDP sent with a SIP response.
- For calls initiated in H.323 and translated to SIP, the Oracle® Enterprise Session Border Controller:
  - Converts the list of fastStart OpenLogicalChannel requests to SDP in the outgoing SIP INVITE.
  - Converts SDP in a SIP response (such as a 200 OK) to the list of fastStart OpenLogicalChannelAck responses included with the callProceeding, Progress, Alerting, or Connect message. This depends on when the SDP is received on the SIP side.
- For all IWF calls regardless of initiating protocol, the Oracle® Enterprise Session Border Controller:
  - Converts SDP on the SIP side to the terminalCapabilitySet message to be sent on the H.323 side.

Also note that when the format is G729, the Oracle® Enterprise Session Border Controller maps it to g729wAnnexB if the a=fmtp:18 annexb=yes attribute is present.



When the `a=fmtp:18 annexb=no` attribute is present, the Oracle® Enterprise Session Border Controller maps G729 to g729. And with no `a=fmtp:18 annexb=no` attribute, the Oracle® Enterprise Session Border Controller also maps G729 to g729 when this option is enabled.

The Oracle® Enterprise Session Border Controller also maps G729 to g729 because pure G729 with static payload type 18 does not include an `fmtp` attribute where `annexb=no`.

## About Dynamic Payload Mapping

G.729a and G.729ab use dynamic payload types, but the Oracle® Enterprise Session Border Controller does not propagate these dynamic payload types to corresponding `dynamicRTPPayloadType` (an optional field in `OpenLogicalChannel` requests) on the H.323 side.

For an IWF call initiated in H.323, the dynamic payload types for G.729a and G.729ab are retrieved from media profile configurations when the Oracle® Enterprise Session Border Controller converts the list of `fastStart OpenLogicalChannel` requests to SDP sent on the SIP side. As a result, you must set up media profile configurations for G.729a and G.729ab for the feature to work properly. In these media profiles, the following parameters must be set as follows:

- **name**—For the G.729a profile, set the **name** to **G.729a**. For the **G.729ab** profile, set the **name** to **G.729ab**.
- **payload-type**—For each media profile (**G.729a** and **G.729ab**), DO NOT use payload type 18, which is the static payload type used for G729.

## Customized G.729 Configuration

This section shows you how to configure the **acceptG729abFormat** option in the global H.323 configuration.

To enable customized G.729 support for IWF calls:

1. In Superuser mode, type **configure terminal** and press Enter.

```
ORACLE# configure terminal  
ORACLE(configure)#
```

2. Type **session-router** and press Enter.

```
ORACLE(configure)# session-router  
ORACLE(session-router)#
```

3. Type **h323-config** and press Enter.

```
ORACLE(session-router)# h323-config  
ORACLE(h323-config)#
```

If you are adding this feature to a pre-existing configuration, select the configuration to edit it.

4. **options**—Set the options parameter by typing options, a Space, the option name **acceptG729abFormat** with a plus sign in front of it. Then press Enter.

```
ORACLE(h323-stack)# options +acceptG729abFormat
```

If you type **options** and then the option value for either of these entries without the plus sign, you will overwrite any previously configured options. In order to append the new options to this configuration's options list, you must prepend the new option with a plus sign as shown in the previous example.

5. Save and activate your configuration.

## SIP-H.323 IWF Support for H.264 and H.263+

Signaling protocol interworking between SIP and H.323 supports the H.264 and H.263+ video codecs.

### H.264 in H.323 (H.241)

This section describes the H.264 capabilities and media packetization in H.323. Capability exchange signaling looks like this:

```
openLogicalChannel . SEQUENCE [EMPTY -1] ...
forwardLogicalChannelNumber = 3 . INTEGER [EMPTY -1] (1..65535)
forwardLogicalChannelParameters . SEQUENCE [EMPTY -1] ...
  .. dataType . CHOICE [EMPTY -1] ...
  .. . . . . . videoData . CHOICE [EMPTY -1] ...
  .. . . . . . genericVideoCapability . SEQUENCE [EMPTY -1] ...
  .. . . . . . capabilityIdentifier . CHOICE [EMPTY -1] ...
  .. . . . . . . standard = 7 {itu-t recommendation h 241 0 0 1}.OBJECT
IDENTIFIER [EMPTY-1]
  .. . . . . . maxBitRate = 4480 . INTEGER [EMPTY -1] (0..-1)
  .. . . . . . collapsing . SEQUENCE OF [EMPTY -1] SEQUENCE [EMPTY
-1] ...
  .. . . . . . * . SEQUENCE [EMPTY -1] ...
  .. . . . . . . parameterIdentifier . CHOICE [EMPTY -1] ...
  .. . . . . . . . standard = 41 . INTEGER [EMPTY -1] (0..127)
  .. . . . . . . parameterValue . CHOICE [EMPTY -1] ...
  .. . . . . . . . booleanArray = 64 . INTEGER [EMPTY -1] (0..255)
  .. . . . . . * . SEQUENCE [EMPTY -1] ...
  .. . . . . . . parameterIdentifier . CHOICE [EMPTY -1] ...
  .. . . . . . . . standard = 42 . INTEGER [EMPTY -1] (0..127)
  .. . . . . . . parameterValue . CHOICE [EMPTY -1] ...
  .. . . . . . . . unsignedMin = 29 . INTEGER [EMPTY -1] (0..65535)
  .. . . . . . * . SEQUENCE [EMPTY -1] ...
  .. . . . . . . parameterIdentifier . CHOICE [EMPTY -1] ...
  .. . . . . . . . standard = 3 . INTEGER [EMPTY -1] (0..127)
  .. . . . . . . parameterValue . CHOICE [EMPTY -1] ...
  .. . . . . . . . unsignedMin = 81 . INTEGER [EMPTY -1] (0..65535)
  .. . . . . . * . SEQUENCE [EMPTY -1] ...
  .. . . . . . . parameterIdentifier . CHOICE [EMPTY -1] ...
  .. . . . . . . . standard = 6 . INTEGER [EMPTY -1] (0..127)
  .. . . . . . . parameterValue . CHOICE [EMPTY -1] ...
```

```

. . . . . unsignedMin = 15 . INTEGER [EMPTY -1] (0..65535)
. . . . . * . SEQUENCE [EMPTY -1] ...
. . . . . parameterIdentifier . CHOICE [EMPTY -1] ...
. . . . . standard = 4 . INTEGER [EMPTY -1] (0..127)
. . . . . parameterValue . CHOICE [EMPTY -1] ...
. . . . . unsignedMin = 7 . INTEGER [EMPTY -1] (0..65535)
. . . . . multiplexParameters . CHOICE [EMPTY -1] ...
. . . . . h2250LogicalChannelParameters . SEQUENCE [EMPTY -1] ...
. . . . . sessionID = 2 . INTEGER [EMPTY -1] (0..255)
. . . . . mediaControlChannel . CHOICE [EMPTY -1] ...
. . . . . unicastAddress . CHOICE [EMPTY -1] ...
. . . . . ipAddress . SEQUENCE [EMPTY -1] ...
. . . . . network = 4 'e.' =0xac10650b <172.16.101.11> .OCTET
STRING [EMPTY -1]
. . . . . tsapIdentifier = 50137 . INTEGER [EMPTY -1]
(0..65535)
. . . . . dynamicRTPPayloadType = 109 . INTEGER [EMPTY -1] (96..127)
. . . . . mediaPacketization . CHOICE [EMPTY -1] ...
. . . . . rtpPayloadType . SEQUENCE [EMPTY -1] ...
. . . . . payloadDescriptor . CHOICE [EMPTY -1] ...
. . . . . oid = 8 {itu-t recommendation h 241 0 0 0 0}.OBJECT
IDENTIFIER [EMPTY -1]
. . . . . payloadType = 109 . INTEGER [EMPTY -1] (0..127)

```

This table outlines H.241 to H.264 mappings.

Identifier	Description
Capability name	ITU-T Rec H.241 H.264 Video Capabilities
Capability identifier type	Standard
Capability identifier value	{itu-t(0) recommendation(0) h(8) 241 specificVideoCodecCapabilities(0) h264(0) generic-capabilities(1)}
maxBitRate	This field shall be included, in units of 100 bit/s. This field represents the maximum bitrate of the H.264 Type II bitstream as defined in Annex C/H.264.
collapsing	This field shall contain the H.264 Capability Parameters as given below.

## Capabilities

The H.264 capability set is structured as a list of one or more H.264 capabilities, each of which has:

- Profile (mandatory)
- Level (mandatory)
- Zero or more additional parameters

These capabilities communicate the ability to decode using one or more H.264 profiles contained in a GenericCapability structure. For each H.264 capability, optional parameters can appear. These parameters permits a terminal to communicate that it has capabilities in addition to meeting the support requirements for the signaled profile and level.

Optional parameters include: CustomMaxMBPS, CustomMaxDPB, CustomMaxBRandCPB, MaxStaticMBPS, max-rcmd-unit-size, max-nal-unit-size, SampleAspectRatiosSupported, AdditionalModesSupported, and AdditionalDisplayCapabilities.

## H.264 Media Packetization

For H.323, systems signal their H.264 mediaPacketization by including: MediaPacketizationCapability.rtpPayload.Type.payloadDescriptor.oid, with the OID having the value {itu-t(0) recommendation(0) h(8) 241 specificVideoCodecCapabilities(0) h264(0) iPpacketization(0) h241AnnexA(0)}.

In compliance with RFC 3984's non-interleaved mode, the following is supported: MediaPacketizationCapability.rtpPayloadType.payloadDescriptor.oid, with the OID having the value {itu-t(0) recommendation(0) h(8) 241 specificVideoCodecCapabilities(0) h264(0) iPpacketization(0) RFC3984NonInterleaved(1)}.

In compliance with RFC 3984's interleaved mode, the following is supported: MediaPacketizationCapability.rtpPayloadType.payloadDescriptor.oid, with the OID having the value {itu-t(0) recommendation(0) h(8) 241 specificVideoCodecCapabilities(0) h264(0) iPpacketization(0) RFC3984Interleaved(2)}.

## H.264 in SIP

H.264 in SIP can contain these optional parameters, which be included in the "a=fmtp" line of SDP if they appear: profile-level-id, max-mbps, max-fs, max-cpb, max-dpb, maxbr, redundant-pic-cap, sprop-parameter-sets, parameter-add, packetization-mode, spropinterleaving-depth, deint-buf-cap, sprop-deint-buf-req, sprop-init-buf-time, sprop-max-dondiff, and max-rcmd-nalu- size.

The profile-level-id parameter is a base 16[6] hexadecimal representation of the following three bytes in sequence:

1. profile\_idc
2. profile\_oip—Composed of the values from constraint\_set0\_flag, constraint\_set1\_flag, constraint\_set2\_flag, and reserved\_zero\_5bits—in order of bit significance, starting from the most significant bit.
3. level\_idc—Note that reserved\_zero\_5bits is required to be equal to 0 in [1], but other values for it may be specified in the future by ITU-T or ISO/IEC.

## H.264 Packetization Mode

In SIP, the packetization-mode parameter signals the properties of the RTP payload type or the capabilities of a receiver's implementation. Only a single configuration point can be indicated. So when capabilities support more than one packetization-mode are declared, multiple configuration points (RTP payload types) must be used.

- When the value of packetization-mode equals 0 or packetization-mode is not present, the single NAL mode is used.
- When the value of packetization-mode equals 1, the non- interleaved mode is used.
- When the value of packetization-mode equals 2, the interleaved mode is used.

This example shows a SIP offer-answer exchange. Here is the offer SDP:

```
m=video 49170 RTP/AVP 100 99 98
a=rtpmap:98 H264/90000
a=fmtp:98 profile-level-id=42A01E; packetization-mode=0;
a=rtpmap:99 H264/90000
a=fmtp:99 profile-level-id=42A01E; packetization-mode=1;
a=rtpmap:100 H264/90000
a=fmtp:100 profile-level-id=42A01E; packetization-mode=2;
```

And here is the answer SDP for the example:

```
m=video 49170 RTP/AVP 100 99 97
a=rtpmap:97 H264/90000
a=fmtp:97 profile-level-id=42A01E; packetization-mode=0;
a=rtpmap:99 H264/90000
a=fmtp:99 profile-level-id=42A01E; packetization-mode=1;
a=rtpmap:100 H264/90000
a=fmtp:100 profile-level-id=42A01E; packetization-mode=2;
```

## H.264 IWF Conversions

This section contains two table that show profile, level, and media packetization conversions for H.264 undergoing interworking.

Profile	H.264 in SIP	H.264 (H.241 in H.323)
H264_PROFILE_STR_BASELINE	66	64
H264_PROFILE_STR_MAIN	77	32
H264_PROFILE_STR_EXTENDED	88	32

H.264 Level	H.2264 in SIP	H.264 (H.241 in H.323)	Constraints
1	10	15	0x00
1b	11	19	0x10
1.1	11	22	0x00
1.2	12	29	0x00
1.3	13	36	0x00
2	20	43	0x00
2.1	21	50	0x00
2.2	22	57	0x00
3	30	64	0x00
3.1	31	71	0x00
3.2	32	78	0x00
4	40	85	0x00
4.1	41	92	0x00
4.2	42	99	0x00
5	50	106	0x00
5.1	51	113	0x00

H.264 SIP Packetization	H.264 (H.241 in H.323) OID in mediaPacketization
packetization-mode=0	{itu-t(0) recommendation(0) h(8) 241 specificVideoCodecCapabilities(0) h264(0) iPpacketization(0) h241AnnexA(0)}
packetization-mode=1	{itu-t(0) recommendation(0) h(8) 241 specificVideoCodecCapabilities(0) h264(0) iPpacketization(0) RFC3984NonInterleaved(1)}
packetization-mode=2	{itu-t(0) recommendation(0) h(8) 241 specificVideoCodecCapabilities(0) h264(0) iPpacketization(0) RFC3984Interleaved(2)}

## IWF Unsupported Parameters

The following H.241 parameters are not supported for interworking: CustomMaxMBPS, CustomMaxFS CustomMaxDPB, CustomMaxBRandCPB, MaxStaticMBPS, max-rcmd-nal-unit-size, max-nal-unit-size, SampleAspectRatiosSupported, AdditionalModesSupported, and AdditionalDisplayCapabilities.

The following SDP parameters are not supported for interworking: max-mbps, max-fs, max-cpb, max-dpb, maxbr, redundant-pic-cap, sprop-parameter-sets, parameter-add, spropinterleaving-depth, deint-buf-cap, sprop-deint-buf-req, sprop-init-buf-time, sprop-max-dondiff, and max-rcmd-nalu-size.

## H.263+ in H.323

This section describes the H.264 capabilities and media packetization in H.323. Capability exchange signaling looks like this:

```

. . . . . capability . CHOICE [EMPTY -1] ...
. . . . . . receiveVideoCapability . CHOICE [EMPTY -1] ...
. . . . . . . h263VideoCapability . SEQUENCE [EMPTY -1] ...
. . . . . . . . sqcifMPI = 1 . INTEGER [EMPTY -1] (1..32)
. . . . . . . . qcifMPI = 1 . INTEGER [EMPTY -1] (1..32)
. . . . . . . . cifMPI = 1 . INTEGER [EMPTY -1] (1..32)
. . . . . . . . maxBitRate = 1000 . INTEGER [EMPTY -1] (1..192400)
. . . . . . . . unrestrictedVector = 0 . BOOLEAN [EMPTY -1]
. . . . . . . . arithmeticCoding = 0 . BOOLEAN [EMPTY -1]
. . . . . . . . advancedPrediction = 0 . BOOLEAN [EMPTY -1]
. . . . . . . . pbFrames = 0 . BOOLEAN [EMPTY -1]
. . . . . . . . temporalSpatialTradeOffCapability = 0 . BOOLEAN [EMPTY
-1]
. . . . . . . . errorCompensation = 0 . BOOLEAN [EMPTY -1]
. . . . . . . . h263Options . SEQUENCE [EMPTY -1] ...
. . . . . . . . . advancedIntraCodingMode = 1 . BOOLEAN [EMPTY -1]
. . . . . . . . . deblockingFilterMode = 1 . BOOLEAN [EMPTY -1]
. . . . . . . . . improvedPBFramesMode = 0 . BOOLEAN [EMPTY -1]
. . . . . . . . . unlimitedMotionVectors = 0 . BOOLEAN [EMPTY -1]
. . . . . . . . . fullPictureFreeze = 1 . BOOLEAN [EMPTY -1]
. . . . . . . . . partialPictureFreezeAndRelease = 0 . BOOLEAN [EMPTY
-1]

```

```

. . . . . resizingPartPicFreezeAndRelease = 0 . BOOLEAN [EMPTY
-1]
. . . . . fullPictureSnapshot = 0 . BOOLEAN [EMPTY -1]
. . . . . partialPictureSnapshot = 0 . BOOLEAN [EMPTY -1]
. . . . . videoSegmentTagging = 0 . BOOLEAN [EMPTY -1]
. . . . . progressiveRefinement = 0 . BOOLEAN [EMPTY -1]
. . . . . dynamicPictureResizingByFour = 0 . BOOLEAN [EMPTY -1]
. . . . . dynamicPictureResizingSixteenthPel = 1 . BOOLEAN
[EMPTY -1]
. . . . . dynamicWarpingHalfPel = 0 . BOOLEAN [EMPTY -1]
. . . . . dynamicWarpingSixteenthPel = 0 . BOOLEAN [EMPTY -1]
. . . . . independentSegmentDecoding = 0 . BOOLEAN [EMPTY -1]
. . . . . slicesInOrder-NonRect = 0 . BOOLEAN [EMPTY -1]
. . . . . slicesInOrder-Rect = 0 . BOOLEAN [EMPTY -1]
. . . . . slicesNoOrder-NonRect = 0 . BOOLEAN [EMPTY -1]
. . . . . slicesNoOrder-Rect = 0 . BOOLEAN [EMPTY -1]
. . . . . alternateInterVLCMode = 1 . BOOLEAN [EMPTY -1]
. . . . . modifiedQuantizationMode = 1 . BOOLEAN [EMPTY -1]
. . . . . reducedResolutionUpdate = 0 . BOOLEAN [EMPTY -1]
. . . . . separateVideoBackChannel = 0 . BOOLEAN [EMPTY -1]
. . . . . videoBadMBsCap = 0 . BOOLEAN [EMPTY -1]
. . . . . h263Version3Options . SEQUENCE [EMPTY -1] ...
. . . . . . dataPartitionedSlices = 0 . BOOLEAN [EMPTY -1]
. . . . . . fixedPointIDCT0 = 0 . BOOLEAN [EMPTY -1]
. . . . . . interlacedFields = 0 . BOOLEAN [EMPTY -1]
. . . . . . currentPictureHeaderRepetition = 0 . BOOLEAN
[EMPTY -1]
. . . . . . previousPictureHeaderRepetition = 0 . BOOLEAN
[EMPTY -1]
. . . . . . nextPictureHeaderRepetition = 0 . BOOLEAN [EMPTY
-1]
. . . . . . pictureNumber = 0 . BOOLEAN [EMPTY -1]
. . . . . . spareReferencePictures = 0 . BOOLEAN [EMPTY -1]

```

## H.263+ in SIP

H.263+ in SIP appears looks like this:

```

a=rtptime:100 H263-1998/90000
a=fmtp:100 CIF=1; QCIF=1; SQCIF=1; D=1; F=1; I=1; J=1; L=1; S=1; T=1
a=rtptime:34 H263/90000
a=fmtp:34 CIF=1; QCIF=1; SQCIF=1

```

## H.263+ IWF Conversions

This section contains a table showing H.263+ conversions for SIP-h.323 interworking.

H.263+ in H.323 Parameters (Annex) in ftmp line	H.263+ in SIP
sqcifMPI	SQCIF
qcifMPI	QCIF

H.263+ in H.323 Parameters (Annex) in ftmp line	H.263+ in SIP
cifMPI	<ul style="list-style-type: none"> <li>• CIF</li> <li>• CIF4</li> <li>• CIF16</li> </ul>
maxBitRate	N/A
unrestrictedVector	D
arithmeticCoding	E
advancedPrediction	F
pbFrames	G
temporalSpatialTradeOffCapability	N/A
errorCompensation	H
h263Options	N/A
advancedIntraCodingMode	I
deblockingFilterMode	J
improvedPBFramesMode	N/A
unlimitedMotionVectors	N/A
fullPictureFreeze	L
partialPictureFreezeAndRelease	N/A
resizingPartPicFreezeAndRelease	N/A
fullPictureSnapshot	N/A
partialPictureSnapshot	N/A
videoSegmentTagging	N/A
progressiveRefinement	N/A
dynamicPictureResizingByFour	P = 1
dynamicPictureResizingSixteenthPel	P = 2
dynamicWarpingHalfPel	P = 3
DynamicWarpingSixteenthPel	P = 4
independentSegmentDecoding	R
slicesInOrder-NonRect	K = 1
slicesInOrder-Rect	K = 2
slicesNoOrder-NonRect	K = 3
slicesNoOrder-Rect	K = 4
alternateInterVLCMode	S
modifiedQuantizationMode	T
reducedResolutionUpdate	Q
separateVideoBackChannel	N/A
videoBadMBsCap	<ul style="list-style-type: none"> <li>• PAR</li> <li>• CPCF</li> <li>• CUSTOM</li> </ul>
h263Version3Options	N/A

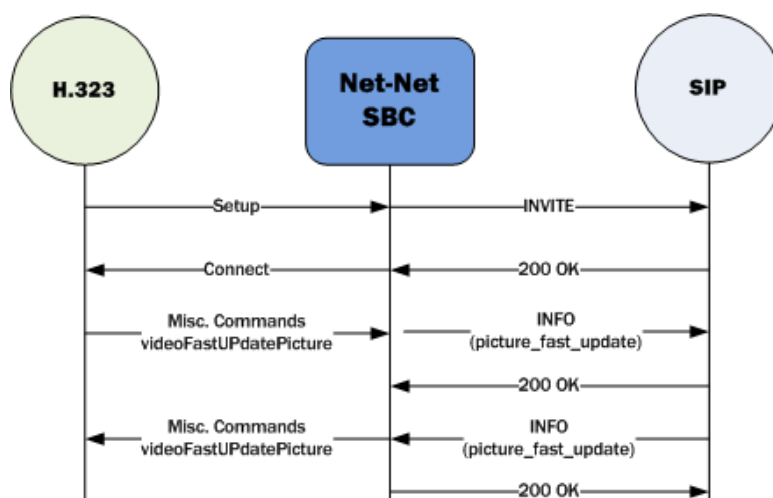
## IWF Unsupported Parameters

The following optional SDP parameters are not supported for H.263+ interworking: SQCIF, QCIF, CIF, CIF4, CIF16, CUSTOM, PAR, CPCF.



## SIP-H.323 IWF in Video Conferencing Applications

For video conferencing and other video applications, the Oracle® Enterprise Session Border Controller supports interworking between the H.323 Miscellaneous Commands `videoFastUpdatePicture` and the SIP INFO containing XML schema for Full Update. The noted H.323 message commands the video encoder to enter fast-update mode.



There is no configuration required for the interworking between these two messages to work.

## International Peering with IWF and H.323 Calls

When you do not enable this feature, SIP to H.323 IWF calls default to a National Q.931 Number Type and it is not possible to change it to an International number. This feature allows you to override that behavior by configuring the option **cpnType=X**, where X is an integer that maps to various Q.931 Number Types. When this option is set, Q.931 Number Type for both calling party and called party are updated to the configured value for all outgoing calls on the h323-stack.

The following is a list of possible **cpnType=X** option values for X:

- 0—Unknown public number
- 1—International public number
- 2—National public number
- 3—Specific public network number
- 4—Public subscriber number
- 5—Public abbreviated number
- 6—Private abbreviated number

## International Peering Configuration

You configure this feature as an option in the **h323-stack** configuration.

To configure the `cpnType=X` option for H323-H323 calls:

1. In Superuser mode, type **configure terminal** and press Enter.

```
ORACLE# configure terminal
ORACLE(configure)#
```

2. Type **session-router** and press Enter.

```
ORACLE(configure)# session-router
ORACLE(session-router)#
```

3. Type **h323-config** and press Enter. The system prompt changes to let you know that you can begin configuring individual parameters.

```
ORACLE(session-router)# h323-config
ORACLE(h323)#
```

4. Type **h323-stacks** and press Enter. The system prompt changes to let you know that you can begin configuring individual parameters.

```
ORACLE(h323)# h323-stack
ORACLE(h323-stack)#
```

5. Set the options parameter by typing **options**, a Space, the option name **cpnType=x** with a plus sign in front of it, and then press Enter.

```
ORACLE(h323-stack)# options +cpnType=x
```

If you type **options** without the plus sign, you will overwrite any previously configured options. In order to append the new options to the h323-stack's options list, you must prepend the new option with a plus sign as shown in the previous example.

6. Save and activate your configuration.

## IWF Codec Renegotiation for Audio Sessions

For calls requiring interworking between SIP and H.323, there can be several instances for audio sessions when a mid-call codec change is necessary. These are some examples of when the codec used for voice transportation is necessary:

- Sessions between analog FAX machines that start as regular voice calls but then must use a codec that is fax-signalling tolerant (like transparent G.711) when FAX tones are detected; detection takes place after the call has been answered. The case of modem calls is similar.
- An established call is redirected in one carrier's network either to a different enduser or to a media server. In this case, the party to which the call is redirected might not support the codec used in the redirection. If request for a codec change is carried out at the signalling level, the call can proceed with the party to which the call was redirected.
- Endusers might want to change codecs when they suffer low voice quality.

Both SIP and H.323 provide mechanisms for changing codecs during a call: SIP uses the ReINVITE, and H.323 uses the H.245 Request Mode. Using the option called **processRequestModeForIWF=all** either in an H.323 interface (stack) or an H.323 session agent configuration, you can enable the Oracle® Enterprise Session Border Controller to interwork SIP ReINVITE and H.245 Request Mode requests.

RTN 1976

## Codec Request Change from the SIP Side

When a SIP party requests a code change, the Oracle® Enterprise Session Border Controller communicates with the H.323 endpoint to renegotiate support for an updated codec. In this renegotiation, the Oracle® Enterprise Session Border Controller presents codec for use ordered according to the SIP side's preference and one is selected. Then the Oracle® Enterprise Session Border Controller handles opening of a new logical channel that uses the updated codec, and closes the old logical channel (that uses the now-outdated codec). On the SIP side, the Oracle® Enterprise Session Border Controller sends a 200 OK with the necessary RTP port and codec information for the new logical channel.

## Codec Request Change from the H.323 Side

When the Oracle® Enterprise Session Border Controller receives a codec request change on the H.323 side of an IWF call, it sends a Re-INVITE to the SIP endpoint containing new codec and information. The Oracle® Enterprise Session Border Controller uses IP address and port information it has cached for the H.323 side of the call for the Re-INVITE since H.245 Request Mode requests do not have this data. If the IP address and port combination should subsequently change (in an OLC from the H.323 side), the Oracle® Enterprise Session Border Controller handles additional INTVITES on the SIP side to support the change.

## Exceptional Cases

When the relevant option is enabled, the Oracle® Enterprise Session Border Controller can handle properly the following cases of codec change:

- When the H.323 side rejects the request mode change, the Oracle® Enterprise Session Border Controller response to the SIP side with a 488 Not Acceptable. Session description and state remain unchanged, and the call continues using the original session description.
- When the H.323 side does not respond to the request mode change within the timeout limitation, the Oracle® Enterprise Session Border Controller releases the call on both sides.
- When the SIP side does not respond to the ReINVITE within in the timeout limitation, the Oracle® Enterprise Session Border Controller releases the call on both sides.
- When the intersection of codec is empty, the Oracle® Enterprise Session Border Controller rejects the codec change on the SIP side with a 488 Not Acceptable and on the H.323 side with an H.245 RequestModeReject. Session description and state remain unchanged, and the call continues using the original session description.

- If the Oracle® Enterprise Session Border Controller does not receive any of the LogicalChannel request or acknowledgement messages, the Oracle® Enterprise Session Border Controller releases the call on both sides.

Note that for protocol timeout errors, the preferred behavior is to release the call on both sides. Timeout errors usually indicate network problems, such as an endpoint being unreachable.

## IWF Codec Renegotiation Configuration

You can apply the **processRequestModeForIWF=all** to H.323 interfaces (stacks) and to H.323 session agents (sessions agents for which H.323 has been identified in the **protocol** parameter). The example below shows you how to enable this option for an H.323 session agent.

To enable IWF codec renegotiation for an H.323 session agent:

1. In Superuser mode, type **configure terminal** and press Enter.

```
ORACLE# configure terminal  
ORACLE(configure)#
```

2. Type **session-router** and press Enter.

```
ORACLE(configure)# session-router  
ORACLE(session-router)#
```

3. Type **session-agent** and press Enter. If you are adding this feature to a pre-existing configuration, you will need to select and edit it.

```
ORACLE(session-router)# session-agent  
ORACLE(session-agent)#
```

4. **options**—Set the options parameter by typing options, a Space, the option name **processRequestModeForIWF=all** with a plus sign in front of it, and then press Enter.

```
ORACLE(session-agent)# options +processRequestModeForIWF=all
```

If you type the option without the plus sign, you will overwrite any previously configured options. In order to append the new options to the realm configuration's options list, you must prepend the new option with a plus sign as shown in the previous example.

5. Save your work.

# 8

## Session Routing and Load Balancing

### Session Routing and Load Balancing

This chapter explains how to configure session routing and load balancing for SIP and H.323 services. It contains information about configuring session agents and session agent groups, as well as local policies that can be used for routing SIP or H.323 signals.

### Telephony Fraud Protection

You can use the Oracle® Enterprise Session Border Controller (E-SBC) to protect against fraudulent calls by enabling Telephony Fraud Protection and creating lists of phone numbers to block, allow, redirect, and rate limit calls. The lists reside together in a single source-file that you create and manage. The source-file can contain any combination of the list types and it can reside on either the E-SBC or in Session Delivery Manager (SDM) because you can manage Telephony Fraud Protection from either one. The following information explains using Telephony Fraud Protection on the E-SBC. See the *Oracle Communications Session Element Manager User Guide for the Enterprise Edge and Core Plug-in* for managing Telephony Fraud Protection from SDM.

#### Fraud Protection List Types and Uses

The E-SBC supports the following types of lists for protecting against fraudulent calls.

**Blacklist**—Use the blacklist to specify a fraudulent call based on the destination phone number or URI. You can add a known fraudulent destination to the blacklist by prefix or by fixed number. When the E-SBC receives a call to an entry on the blacklist, the system rejects the call according to the SIP response code that you specify. When the system determines a match and blocks a call, the default response is "403 Forbidden." You can set another SIP response code from the standard list of responses defined in RFC3261 by way of the **local-response-map** configuration and the local error **fraud-protection-reject-call** setting.

**White List**—Use the white list to manage any exception to the blacklist. Suppose you choose to block a prefix such as +49 555 123 by way of the blacklist. This also blocks calls to individual numbers starting with this prefix, such as +49 555 123 666. If you add a prefix or individual number to the white list, the system allows calls to the specified prefix and number. Continuing with the example, if you add +49 555 123 6 to the white list, the system allows calls to +49 555 123 666, which was blocked by the blacklist entry of +49 555 123.

**Redirect List**—Use the redirect list to send a fraudulent call to an Interactive Voice Response (IVR) system, or to a different route. For example, you can intercept and redirect a call going to a revenue-share fraud target in a foreign country to an end point that defeats the fraud. Or, you might want to redirect subscribers dialing a particular number and URI to an announcement to make them aware that an account

is compromised and tell them what they should do. You can use an external server to provide such an announcement or you can use the E-SBC media playback function.

**Rate Limit List**—Use rate limiting to limit the loss of money, performance, and availability that an attack might cause. While local ordinances may not allow you to completely block or suppress communication, you may want to reduce the impact of a disruption with rate limiting until a network engineer can analyze an attack and plan remediation. For example, you might want time to find the origin of an attack or to add attackers to a blacklist. Note that rate limiting may not function immediately after a High Availability switch over because the newly active system must re-calculate the call rate before it can apply rate limiting.

### Configuration

The process for using Telephony Fraud Protection includes the following steps:

1. Enable Telephony Fraud Protection
2. Specify the source of fraud protection management
3. Create the file that contains the list of phone numbers to manage
4. Activate the fraud protection file

You can create the fraud protection phone number list on the File Management page on the Web GUI, or you can create it externally in XML and upload it to the E-SBC. Save the file to `/code/fpe/<filename>`. In the *Web GUI User Guide*, see "Configure Telephony Fraud Protection," "Create a Telephony Fraud Protection File," and "Telephony Fraud Protection File Activation." If you want to create the fraud protection file externally, see "Fraud Protection XML Source File Example."

You can enable Telephony Fraud Protection from either the Web GUI or from the ACLI command line, but you cannot manage fraud protection from the ACLI. You must use the Web GUI for management, and only in Expert mode.

Telephony Fraud Protection is included in the advanced license.

### Administration

When you configure the E-SBC to manage Telephony Fraud Protection, the system applies the following behavior:

- An Administrator with privileges can Refresh, Add, and Upload an unselected file, and Edit, Download, and Delete a selected file.
- An Administrator with no privileges can only view the fraud protection file.

To view fraud protection data:

- From the ACLI, use the show commands to view fraud protection statistics. See "Telephony Fraud Protection Show Commands."
- From the Web GUI, use the Show Summary, Show Blacklist, Show White List, Show Call Redirect List, and Show Rate Limit Widgets.



#### Note:

The Telephony Fraud Protection feature does not affect emergency calls or block any calls while you are loading entries.

## High Availability

Telephony Fraud Protection supports High Availability (HA).

- When the E-SBC manages the Telephony Fraud Protection file—Use the **synchronize file <filename>** command to copy the Telephony Fraud Protection file to the standby after an HA switch over.
- When the Enterprise Telephony Fraud Manager in SDM manages the Telephony Fraud Protection file—After an HA switch over, the newly active E-SBC sends the RESYNC command to the Fraud Manager on SDM, requesting the latest file. SDM responds with the name and location of the file, which the E-SBC downloads from SDM.
- Note that after a switch over, rate limiting may not take effect immediately because the new Active system needs time to recalculate the call rate before it can apply rate limiting.

## Telephony Fraud Protection Management from SDM

If you prefer to manage Telephony Fraud Protection from the Enterprise Fraud Manager in SDM, rather than from the E-SBC, store the fraud protection list in a file named **sbc\_fpe\_entries.xml** (case sensitive) in SDM. You can edit the file in SDM, which will notify the E-SBC afterwards to download the file to its **/code/fpe** directory. When the E-SBC is part of an HA pair, the Active partner automatically pushes the updated file to the Standby partner. In the event of an unsuccessful download, the system raises an SNMP alarm. Should the connection to SDM ever go down, the system also raises an SNMP alarm and sends a trap. When the connection gets re-established, the alarm and trap clear, and the E-SBC sends a RESYNC command to SDM.

## Unsupported Functions

Telephony Fraud Protection for the E-SBC does not support the following:

- IPv6
- H.323
- InterWorking Function (IWF)
- Comm Monitor

# Telephony Fraud Protection Target Matching Rules

When matching a call to an entry on a telephony fraud protection list, the Oracle® Enterprise Session Border Controller (E-SBC) performs the matching only on the ingress leg of the initial INVITE. In the initial INVITE, the E-SBC uses the From, To, and User-Agent headers for matching. Because you can place a phone number on multiple types of fraud prevention lists in the same source file, the E-SBC uses the following evaluation hierarchy to determine which number takes precedence:

1. Longest match—The most specific entry takes precedence. For example, when 555-123-4000 is blacklisted and 555-123-\* is white listed, the system blocks the call from 555-123-4000 because it is the longest match.
2. Destination—When the system detects matches in both the SIP **From** header and the SIP **To** header, the match for the **To** header takes precedence.

3. URI—When the system detects matches in both the **USER** and **Host** parts of a SIP URI, the match for the **USER** part takes precedence.
4. SIP User-Agent header—Lowest priority. When nothing else matches, and there is a match for the User-Agent field, the E-SBC acts as instructed.
5. Multiple instances—When the system detects multiple instances of the same match length, or when the target resides in multiple lists, the system uses the following order of precedence:
  1. White list—Entries on the white list take precedence with no restrictions. For example, when 555-123-4567 is on both the blacklist and the white list, the system allows this call because the number is on the white list.
  2. Blacklist
  3. Redirect
  4. Rate limiting



**Note:**

The telephony fraud protection feature does not affect emergency calls.

The telephony fraud protection feature uses source or destination IP, source or destination name or phone number, and caller user-agent to identify a caller. The system enforces the following rules for formatting entries on a fraud protection list:

**Hostname**

Format: Enter the exact IP address or FQDN.

**User name**

Format: Enter the exact user name. For example: joe.user or joe\_user.

**User-Agent-Header**

The User-Agent header text in the INVITE message from the first call leg. This text usually contains the brand and firmware version of the SIP device making the call. For example, sipcli/v1.8, Asterisk PBX 1.6.026-FONCORE-r78.

Format: Enter the exact text.

**Phone Number**

Format: Enter the exact number or a partial number using the following characters to increase the scope of the matches.

Asterisk *	Use to indicate prefix matching, but only at the end of the pattern. For example, use 555* not *555. Do not use * in any other patterns, for example, in brackets [ ], parentheses ( ), or with an x.
Square Brackets [ ]	Use to enclose ranges in a pattern. Syntax: [min-max]. For example: 555 [0000-9999]. The system considers 8[1-20]9 and 8[01-20]9 to contain the same number of characters because the leading 0 is implied. The system



	strictly enforces this pattern with respect to the range and the number of characters, as follows: <ul style="list-style-type: none"> <li>• 8019 matches</li> <li>• 819 does not match</li> <li>• 8119 matches</li> </ul>
Character x	Use as a wildcard at the end of a dial pattern to mean 0-9. For example: 555xxx means match a number starting with 555 followed by 3 digits from 0-9.
Parentheses ( )	Use to enclose optional digits in a pattern. For example: 555xx(xxxx) means match a number starting with 555 plus a minimum of 2 digits, and optionally up to 4 more digits.

## Telephony Fraud Protection File Activation

After you create, edit, or upload the telephony fraud protection file, you must activate the file before the Oracle® Enterprise Session Border Controller (E-SBC) can use it as the source of the fraud protection lists. The system recognizes only one file at a time as the active file.

The first time you configure the E-SBC to manage fraud protection, the system activates the file when you save and activate the configuration. After the initial configuration, the system does not automatically refresh the fraud protection file when you save and activate other configuration changes on the E-SBC. You must upload a new file or edit the existing file and activate it to update the file. The exception occurs when you specify a new file name in the fraud protection configuration and coincidentally make changes to other configurations, and then save and activate all of the changes at the same time.

After the initial configuration, use the following methods to activate the fraud protection file.

- **New File**—After you create or upload a new file, go to Fraud Protection configuration, enter the name of the new file, and click Save. The system prompts for activation upon a successful Save. Note that you can decline the inline activation and manually activate the file later. For example, you might want to edit an uploaded file before activation.
- **Overwrite File**—When you upload a file with the same name as the existing file, the system prompts for activation upon upload.
- **Edit File**—When you edit the existing file directly from the Web GUI, the system prompts for activation after you save the edits.
- **Refresh File**—When you want to use the ACLI to refresh the fraud protection file, send the file to the E-SBC and use the `notify fped refresh` command. The name of the file that you refresh must match the name of the file specified in the configuration.

**Note:**

The system displays an alert on the Notifications menu to remind you that the fraud protection file needs activation.

## Telephony Fraud Protection Data Types and Formats

Use the information in the following tables when you create or edit a fraud protection list in the Add Fraud Protection Entry and Modify Fraud Protection Entry dialogs.

### Data Type Descriptions

The following table describes the data types listed in the **Type** drop-down list.

from-hostname	The hostname from the SIP FROM header.
from-phone-number	The phone number from the SIP FROM header
from-username	The user name from the SIP FROM header.
to-hostname	The hostname from the SIP TO header.
to-phone-number	The phone number from the SIP TO header.
to-username	The user name from the SIP TO header.
user-agent-header	The SIP User-Agent header.

### Match Value Formats

The following table describes the formats required for the data types.

hostname	Enter the exact IP address or FQDN.
username	Enter the exact user name. For example: joe.user or joe_user.
user-agent-header	Enter the exact text match to the SIP User-Agent header. For example: equipment vendor information.
phone-number	<p>You can use the following characters for phone-number:</p> <ul style="list-style-type: none"> <li>• Asterisk *. Use to indicate prefix matching, but only at the end of the pattern. For example, use 555* not *555. Do not use * in any other patterns, for example, in brackets [ ], parentheses ( ), or with an x.</li> <li>• Brackets [ ]. Use to enclose ranges in a pattern. Syntax: [min-max]. For example: 555 [0000-9999].</li> <li>• Parentheses. ( ) Use to enclose optional digits in a pattern. For example: 555xx(xxxx) means 555 with between 2 and 4 following digits.</li> <li>• Character x. Use as a wildcard at the end of a dial pattern to mean 0-9. For example: 555xxx means a number starting with 555 followed by 3 digits.</li> </ul>

**▲ Caution:**

The use of encoding characters is especially susceptible to creating overlapping dial pattern matches that can result in unexpected behavior.

## Configure Telephony Fraud Protection

The telephony fraud protection feature requires configuration, which you can perform from the Oracle® Enterprise Session Border Controller (E-SBC) CLI by way of the **fraud-protection** configuration element under System.

- Confirm that you own the Advanced license.
- Add or upload at least one telephony fraud protection file to the E-SBC.
- Note the name of the fraud protection file that you want to use.

Use this procedure to enable telephony fraud protection on the E-SBC. You must specify the fraud protection file name and activate the configuration. You cannot specify multiple fraud protection files because the system recognizes only one file as the active source file.

1. Access the **fraud-protection** configuration element.

```
ORACLE# configure terminal
ORACLE(configure)# system
ORACLE(session-router)# fraud-protection
```

2. Type **select**, and press ENTER.
3. Type **show**, and press ENTER.
4. Do the following:

mode	Select one of the following modes: <ul style="list-style-type: none"> <li>• <b>local</b>—Use the E-SBC as the source of the fraud protection file.</li> <li>• <b>comm-monitor</b>—Not currently supported.</li> <li>• <b>disabled</b>—Default.</li> </ul>
file name	Enter the name of the fraud protection file. Syntax: /code/fpe/<filename>
options	Add fraud protection options. (Not supported in some releases. )
allow-remote-call-terminate	Not currently supported.

5. Save and activate the configuration.

## Refresh the Telephony Fraud Protection File

You can refresh the telephony fraud protection file from the ACLI with the **notify fped refresh** command. This command updates the runtime table by reloading the entries in the file specified in the fraud-protection configuration.

- SFTP the updated file to the E-SBC.
- Confirm that the name of the updated file matches the name of the file specified in the configuration.

Use the following procedure apply updates to the telephony fraud protection file.

1. Log on to the ACLI.
2. Type **notify fped refresh**, and press ENTER.

The system confirms a successful refresh.

## Telephony Fraud Protection ACLI Show Commands

The Oracle® Enterprise Session Border Controller (E-SBC) supports viewing and refreshing telephony fraud protection statistics by way of ACLI commands. The displayed data is read-only.

The following ACLI commands provide displays of telephony fraud protection statistics.

`show-fraud-protection <list type> <matches-only>`—Use this command to display all entries or only entries on a particular fraud prevention list, and optionally, to show only the entries on the specified list that incurred a match. Use one of the following variables for <list type>:

- `all`—displays all entries
- `blacklist`—displays only the blacklist matches
- `whitelist`—displays only the white list matches
- `redirect`—displays only the redirect matches
- `ratelimit`—displays only the rate limit matches

Command Examples:

- `show-fraud-protection all`—displays all blacklist, redirect, white list, and rate limit entries.
- `show-fraud-protection all matches-only`—displays only the matches for blacklist, redirect, white list, and rate limit entries.
- `show-fraud-protection blacklist`—displays only the blacklist, showing all entries.
- `show-fraud-protection blacklist matches-only`—displays only the matches for blacklist entries.

Display Examples

```
show fraud-protection all
17:31:09-109
```

List Type	To/From	Match Value	Ingress Realm	No. of Hits		
				Recent	Total	PerMax
BLACKLIST	To	1809*	peer	0	0	0
BLACKLIST	To	22478300501	access	0	0	0
BLACKLIST	From	172.38.10.0/24	enterpriseco	0	0	0
BLACKLIST	From	192.168.39.0/24	peer	0	0	0
BLACKLIST	From	roberto.veras	peer	0	0	0
RATE_LIMIT	To	20.20.20.20	boston.com	0	0	0
RATE_LIMIT	From	18092059090	peer	0	0	0
RATE_LIMIT	From	peter.paker	nyrealm	0	0	0
REDIRECT	To	john.doe	domain	0	0	0
REDIRECT	From	10.10.10.10	nyrealm	0	0	0
REDIRECT	From	18092059080	peer	0	0	0
WHITELIST	To	1978973[0000-9999]	peer	0	0	0
WHITELIST	To	22478300501	access	0	0	0
WHITELIST	From	172.38.10.0/24	service_provider	0	0	0

Total hits: 0  
Total entries: 14  
Total displayed entries: 14  
File name: my\_entries.xml  
Last file upload time: 2015-07-22 17:28:08

## BLACKLIST

`show-fraud-protection`—Use to display all entries with matches-only

`show fraud-protection stats`—Use to display Recent, Total, and Period Maximum statistics for the fraud protection lists: For example: STATS

```
show fraud-protection stats
```

Fraud Protection Engine Stats	---- Lifetime ----		
	Recent	Total	PerMax
Blacklisted Calls	0	0	0
Whitelisted Calls	0	0	0
Ratelimited Calls	0	0	0
Redirected Calls	0	0	0
Blacklist Rejected Calls	0	0	0
Ratelimit Rejected Calls	0	0	0

The following ACLI commands refresh displays of fraud protection entries.

`notify fped refresh`—Use to update the fraud protection lists table after you make changes. If for some reason the refresh command is unsuccessful and cannot update the list with new data, the system preserves the existing data.

`notify fped reset-stats`—Use to reset the fraud protection statistics counter to zero, for example, to begin a new data collection period.

## Telephony Fraud Protection verify-config

When you run the `verify-config` command for telephony fraud protection, the system verifies the following:

- If the fraud protection mode is set to `comm-monitor`, a `comm-monitor` configuration exists.
- If the fraud protection mode is set to `comm-monitor`, the fraud protection file name is empty. You cannot specify a file when the SBC is connected to SDM.

## Routing Overview

This section provides an overview of routing SIP and H.323 sessions when using the Oracle® Enterprise Session Border Controller. The Oracle® Enterprise Session Border Controller chooses the next hop through the network for each SIP and H.323 session based on information received from routing policies and constraints. Routing policies can be as simple as routing all traffic to a proxy or routing all traffic from one network to another. Routing policies can also be more detailed, using constraints to manage the volume and rate of traffic that can be routed to a specific network. For example, you can manage volume and rate of traffic to enable the Oracle® Enterprise Session Border Controller to load balance and route around softswitch failures.

When a call request arrives at the Oracle® Enterprise Session Border Controller, a decision making process then occurs to determine whether the message is coming from a session agent. If so, the Oracle® Enterprise Session Border Controller checks whether that session agent is authorized to make the call. Local policy is then checked to determine where to send the message on to.

## Session Agents Session Groups and Local Policy

When you configure session routing for SIP and H.323, you can use session agents, session agent groups and local policies to define routing. (Using session agents and session agent groups is not required.)

- session agent: defines a signaling endpoint. It is a next hop signaling entity that can be configured to apply traffic shaping attributes.
- session agent group (SAG): contains individual session agents. Members of a SAG are logically equivalent (although they might vary in their individual constraints) and can be used interchangeably. You apply an allocation strategy to the SAG to allocate traffic across the group members. Session agent groups also assist in load balancing among session agents.
- local policy: indicates where session request messages, such as SIP INVITES, are routed and/or forwarded. You use a local policy to set a preference for selecting one route over another.

Another element of routing is the realm. Realms are used when an SBC communicates with multiple network elements over a shared intermediate connection. Defining realms allows sessions to go through a connection point between the two networks.

When you configure a realm, you give it an identifier, which stores the name of the realm associated with a sip-interface. The realm identifier value is also needed when you configure session agents and local policies. You can associate a realm with a session agent to identify the realm for sessions coming from or going to the session agent. You also need the realm identifier when you configure local policy to identify the egress realm (realm of the next hop).

## About Session Agents

This section describes session agents. A session agent defines a signaling endpoint. It is a next hop signaling entity that can be configured to apply traffic shaping attributes.

Service elements such as gateways, softswitches, and gatekeepers are defined automatically within the Oracle® Enterprise Session Border Controller as session agents. For each session agent, concurrent session capacity and rate attributes can be defined. You can group session agents together into session agent groups and apply allocation strategies to achieve traffic load balancing.

You can assign a media profile to a session agent and indicate whether the transport protocol is SIP or H.323. If the protocol is H.323, you need to indicate whether the session agent is a gateway or a gatekeeper.

You can configure a set of attributes and constraints for each session agent to support the following:

- session access control: Oracle® Enterprise Session Border Controller only accepts requests from configured session agents
- session admission control (concurrent sessions): Oracle® Enterprise Session Border Controller limits the number of concurrent inbound and outbound sessions for any known service element.
- session agent load balancing: session agents are loaded based on their capacity and the allocation strategy specified in the session agent group.
- session (call) gapping: Oracle® Enterprise Session Border Controller polices the rate of session attempts to send to and receive from a specific session agent.

## SIP Session Agents

SIP session agents can include the following:

- softswitches
- SIP proxies
- application servers
- SIP gateways
- SIP endpoints

In addition to functioning as a single logical next hop for a signaling message (for example, where a SIP INVITE is forwarded), session agents can provide information about next or previous hops for packets in a SIP agent, including providing a list of equivalent next hops.

You can use the session agent to describe one or more SIP next or previous hops. Through the configured carriers list, you can identify the preferred carriers to use for traffic coming from the session agent. This set of carriers will be matched against the local policy for requests coming from the session agent. You can also set constraints for specific hops.

## Session Agent Status Based on SIP Response

The Oracle® Enterprise Session Border Controller can take session agents out of service based on SIP response codes that you configure, and you can also configure SIP response codes that will keep the session agent in service.

With this feature disabled, the Oracle® Enterprise Session Border Controller determines session agents' health by sending them ping messages using a SIP method that you configure. Commonly, the method is an OPTIONS request. If it

receives any response from the session agent, then the Oracle® Enterprise Session Border Controller deems that session agent available for use.

However, issues can arise when session agents are administratively out of service, but able to respond to OPTIONS requests. A session agent like this might only respond with a 200 OK when in service, and send a 4xx or 5xx message otherwise.

The session agent status feature lets you set the SIP response message that either takes a session agent out of service or allows it to remain in service when it responds to the Oracle® Enterprise Session Border Controller's ping request.

Details of this feature are as follows:

- The Oracle® Enterprise Session Border Controller only considers a session agent in service when it responds to a request method you set with the final response code that you also set. If a final response code is set, then provisional responses are not used for determining whether or not to take a session agent out of service. If the Oracle® Enterprise Session Border Controller receives a final response code that does not match the session agent configuration, it treats the session agent as though it had not responded.
- The Oracle® Enterprise Session Border Controller takes a session agent out of service when it receives an error response for dialog creating request with a response code listed in the new **out-service-response-codes** parameter.

In the case where a the session agent's response has a Retry-After header, the Oracle® Enterprise Session Border Controller tries to bring the session agent back into service after the period of time specified in the header. To do so, it sends another ping request.

There are two lists you can configure in the session agent configuration to determine status:

- In-service list—Set in the ACLI **ping-in-service-response-codes** parameter, this list defines the response codes that keep a session agent in service when they appear in its response to the Oracle® Enterprise Session Border Controller's ping request. Furthermore, the Oracle® Enterprise Session Border Controller takes the session agent out of service should a response code be used that does not appear on this list.
- Out-of-service list—Set in the ACLI **out-service-response-codes** parameter, this list defines the response codes that take a session agent out of service when they appear in its response to the Oracle® Enterprise Session Border Controller's ping request or any dialog-creating request.

When the Oracle® Enterprise Session Border Controller receives a session agent's response to its ping request, it first checks to see if there is an in-service list of responses configured for that session agent. If the list is configured and the Oracle® Enterprise Session Border Controller determines that there is a match, the session agent is deemed in service. Otherwise it takes the session agent out of service. In this way, the in-service list takes precedence over the out-of-service list. If you configure the in-service list, then the Oracle® Enterprise Session Border Controller ignores the out-of-service list.

If there is no list of in-service responses for the session agent, then the Oracle® Enterprise Session Border Controller checks the out of service list. If it is configured and the Oracle® Enterprise Session Border Controller determines that there is a match, the Oracle® Enterprise Session Border Controller removes that session agent from service. If there is no match, then the session agent is deemed in service.



## SIP Session Agent Continuous Ping

You can configure the Oracle® Enterprise Session Border Controller to use either a keep-alive or continuous method for pinging SIP session agents to determine their health—i.e., whether or not the Oracle® Enterprise Session Border Controller should route requests to them.

To summarize the two methods:

- **keep-alive**— Oracle® Enterprise Session Border Controller sends a ping message of a type you configure to the session agent in the absence of regular traffic. Available in Release C5.1.0 and in earlier releases.
- **continuous**—The Oracle® Enterprise Session Border Controller sends a ping message regardless of traffic state (regular or irregular); the Oracle® Enterprise Session Border Controller regularly sends a ping sent based on the configured ping interval timer. Available in Release C5.1.1p6 and in later releases.

By sending ping messages, the Oracle® Enterprise Session Border Controller monitors session agents' health and can determine whether or not to take a session out of service (OOS), leave it in service, or bring it back into service after being OOS.

When you set it to use the keep-alive mode of pinging (available in Release C5.1.0 and before), the Oracle® Enterprise Session Border Controller starts sending a configured ping message to a session agent when traffic for that session agent has become irregular. The Oracle® Enterprise Session Border Controller only sends the ping if there are no SIP transactions with a session agent over a configurable period of time, to which the session agent's response can have one of the following results:

- **Successful response**—A successful response is either any SIP response code or any response code not found in the **out-service-response-codes** parameter; these leave the session agent in service. In addition, any successful response or any response in the **ping-in-service-response-codes** parameter can bring a session agent from OOS to in-service status.
- **Unsuccessful response**—An unsuccessful response is any SIP response code configured in the **out-service-response-codes** parameter and takes the session agent sending it OOS. Because this parameter is blank by default, the Oracle® Enterprise Session Border Controller considers any SIP response code successful.
- **Transaction timeout**—A transaction timeout happens when the session agent fails to send a response to the Oracle® Enterprise Session Border Controller's request, resulting in the session agent's being taken OOS.

Despite the fact that the keep-alive ping mode is a powerful tool for monitoring session agents' health, you might want to use the continuous ping method if you are concerned about the Oracle® Enterprise Session Border Controller not distinguishing between unsuccessful responses from next-hop session agents and ones from devices downstream from the next-hop session agent. For example, if a SIP hop beyond the session agent responds with a 503 Service Unavailable, the Oracle® Enterprise Session Border Controller does not detect whether a session agent or the device beyond it generated the response.

When you use the continuous ping method, only the next-hop session agent responds—preventing the request from being sent to downstream devices. The Oracle® Enterprise Session Border Controller also sends the ping in regular traffic conditions when in continuous ping mode, so it is certain the response comes from the next hop

associated with the session agent. And in continuous ping mode, only entries for the **ping-out-service-response-codes** parameter and transaction timeouts bring session agents OOS.

By default, if the Oracle® Enterprise Session Border Controller does not receive a response to the ping from the session-agent, it marks it as out-of-service. You can configure the number of ping failures that the Oracle® Enterprise Session Border Controller can receive before it marks the session-agent as out-of-service. This is achieved by configuring the **OPTIONS** parameter in the session-agent with a ping-failure value, where value is the number of ping response failures. This is true for both the keep-alive and continuous-ping modes.

For example, set the Options parameter by typing **options**, followed by a Space, the option name: **ping-failure-count=N** (where N is the number of ping response failures before the SA is set to OOS) and press Enter. You may prepend the option parameter with a plus sign to add and not replace this option to the existing realm-config option list.

```
ORACLE (session-agent) #options +ping-failure-count=3
```

The session-agent is set out of service after the third ping response failure

To remove the ping-failure-count option configuration, enter options **-ping**

```
ORACLE (session-agent) #options -ping
```

## SIP SA Continuous Ping Configuration

You can set the ping mode in the session agent or session constraints configuration. For backward compatibility, the default for the ping-send-mode parameter is keep-alive, or the functionality available in Release C5.1.0 and in earlier releases.

To configure the ping mode for a session agent:

1. In Superuser mode, type **configure terminal** and press Enter.

```
ORACLE# configure terminal  
ORACLE(configure)#
```

2. Type **session-router** and press Enter.

```
ORACLE(configure)# session-router  
ORACLE(session-router)#
```

3. Type **session-agent** and press Enter.

```
ORACLE(session-router)# session-agent  
ORACLE(session-agent)#
```

If you are adding rate constraints to an existing configuration, then you will need to select the configuration you want to edit.

4. **ping-send-mode**—If to want to use continuous ping mode to send ping messages to session agents in regular traffic conditions, set this parameter to **continuous**.

If you want to use the keep-alive mode, leave this parameter set to **keep-alive** (default).

5. Save and activate your configuration.

To configure the ping mode for the session constraints:

6. In Superuser mode, type **configure terminal** and press Enter.

```
ORACLE# configure terminal  
ORACLE(configure)#
```

7. Type **session-router** and press Enter.

```
ORACLE(configure)# session-router  
ORACLE(session-router)#
```

8. Type **session-constraints** and press Enter.

```
ORACLE(session-router)# session-constraints  
ORACLE(session-constraints)#
```

If you are adding rate constraints to an existing configuration, then you will need to select the configuration you want to edit.

9. **ping-send-mode**—If to want to use continuous ping mode to send ping messages to session agents in regular traffic conditions, set this parameter to **continuous**. If you want to use the keep-alive mode, leave this parameter set to **keep-alive** (default).
10. Save and activate your configuration.

## H.323 Session Agents

H.323 session agents can include the following:

- Gatekeepers
- Gateways
- MCUs

## Overlapping H.323 Session Agent IP Address and Port

You can now configure H.323 session agents to use overlapping IP addresses.

H.323 session agents continue are identified by their hostname when used in referencing configuration parameters—such as local policy next hops and session agent group destinations. This is why the hostname must be unique. However, when the Oracle® Enterprise Session Border Controller selects a session agent to use, it chooses the appropriate realm and H.323 stack based on the hostname. This is the case even if there are other session agents with the same IP address and port. Likewise, incoming calls are matched to the session agent based on the incoming realm.

There are no specific parameters to configure in order to enable this feature. For it to work properly, however, each H.323 session agent must be configured with a

unique hostname (still the primary index). Otherwise, session agents with non-unique hostnames will overwrite one another.

To create overlapping H.323 session agents, you give each of them a unique hostname, which only serves to identify each individually. The Oracle® Enterprise Session Border Controller subsequently uses this label as the next hop destination in relevant local policy route entries.

## Managing Session Agent Traffic

The Oracle® Enterprise Session Border Controller monitors availability, session load, and session rate for each session agent in real time. The session agent's state is determined by its performance relative to the constraints applied to it and its availability.

The following table lists the conditions that cause the Oracle® Enterprise Session Border Controller to suspend the routing of traffic to a session agent, along with the criteria for restoring the route.

Constraint Condition	SIP Criteria	H.323 Criteria	Action	Criteria for Resuming
Maximum sessions exceeded	Maximum concurrent SIP sessions exceeded.	Maximum concurrent H.323 sessions exceeded. If the session agent is a gatekeeper and gatekeeper routed mode is not used, this constraint is an aggregate of all the destination gateways. Only maximum outbound sessions are measured.	Session agent is declared in constraint violation state.	Concurrent sessions drop below the maximum sessions value.
Maximum outbound sessions exceeded	Maximum concurrent outbound SIP sessions exceeded.	Maximum concurrent outbound H.323 sessions exceeded. If the session agent is a gatekeeper and gatekeeper routed mode is not used, this constraint is an aggregate of all the destination gateways. Only maximum outbound sessions are measured.	Session agent is declared in constraint violation state.	Concurrent sessions drop below the maximum outbound sessions value.

Constraint Condition	SIP Criteria	H.323 Criteria	Action	Criteria for Resuming
Maximum burst rate exceeded	Maximum burst rate exceeded in current window.	Maximum burst rate exceeded in current window. If the session agent is a gatekeeper and gatekeeper routed mode is not used, this constraint is an aggregate of all the destination gateways. Only maximum outbound sessions are measured.	Session agent is declared in constraint violation state.	Burst rate in subsequent window drops below maximum burst rate.
Maximum sustained rate exceeded	Maximum sustained rate exceeded in current window.	Maximum burst rate exceeded in current window. If the session agent is a gatekeeper and gatekeeper routed mode is not used, this constraint is an aggregate of all the destination gateways. Only maximum outbound sessions are measured.	Session agent is declared in constraint violation state.	Sustained rate in subsequent window drops below the maximum sustained rate.
Session agent unavailable or unresponsive	SIP transaction expire timer expires for any out-of-dialogue request. For example, INVITE, REGISTER, or ping.	Response timer expires. The default is T301=4 seconds. Connect timer expires. The default is T303=32 seconds. If the session agent is a peer gatekeeper, the LRQ response time is used to determine availability. The RAS response timer is 4 seconds.	Session agent is declared in constraint violation state or out-of-service. The time to resume timer starts.	Time to resume timer expires and the Oracle® Enterprise Session Border Controller declares the session agent in-service. or Session agent responds to subsequent pings (SIP only).

## Session Agent Groups

Session agent groups contain individual session agents. Members of a session agent group are logically equivalent (although they might vary in their individual constraints) and can be used interchangeably. You can apply allocation strategies to session agent groups.

Examples of session agent groups include the following:

- application server cluster
- media gateway cluster
- softswitch redundant pair
- SIP proxy redundant pair
- gatekeeper redundant pair

Session agent group members do not need to reside in the same domain, network, or realm. The Oracle® Enterprise Session Border Controller can allocate traffic among member session agents regardless of their location. It uses the allocation strategies configured for a SAG to allocate traffic across the group members.

Allocation strategies include the following:

Allocation Strategy	Description
Hunt	Oracle® Enterprise Session Border Controller selects the session agents in the order in which they are configured in the SAG. If the first agent is available, and has not exceeded any defined constraints, all traffic is sent to the first agent. If the first agent is unavailable, or is in violation of constraints, all traffic is sent to the second agent. And so on for all session agents in the SAG. When the first agent returns to service, the traffic is routed back to it.
Round robin	Oracle® Enterprise Session Border Controller selects each session agent in the order in which it is configured, routing a session to each session agent in turn.
Least busy	Oracle® Enterprise Session Border Controller selects the session agent with the least number of active sessions, relative to the maximum outbound sessions or maximum sessions constraints (lowest percent busy) of the session agent.
Proportional distribution	Session agents are loaded proportionately based upon the respective maximum session constraint value configured for each session agent.
Lowest sustained rate	Oracle® Enterprise Session Border Controller routes traffic to the session agent with the lowest sustained session rate, based on observed sustained session rate.

You apply allocation strategies to select which of the session agents that belong to the group should be used. For example, if you apply the Hunt strategy session agents are selected in the order in which they are listed.

### Request URI Construction as Sent to SAG-member Session Agent

The Oracle® Enterprise Session Border Controller constructs the request URI for a session agent selected from a session agent group by using the **session-agent**, and then **hostname** value of the selected **session-agent** target. This default behavior enables features such as trunk groups and ENUM to work properly. However, care must be given when the **hostname** parameter is not a resolvable FQDN. The **sag-target-uri=<value>** option can be used to overcome the default behavior.

The value is either

- **ip** – request URI constructed from **session-agent**, **ip-address**
- **host** – request URI constructed from **session-agent**, **hostname**

This option is global and is configured in the **sip-config** configuration element.

## Request URI Construction as Forwarded to SAG-member Session Agent

The Oracle® Enterprise Session Border Controller constructs the request URI for a session agent selected from a session agent group by using the **session-agent**, **hostname** value of the selected **session-agent** target. This default behavior enables features such as trunk groups and ENUM to work properly. However, care must be given when the **hostname** parameter is not a resolvable FQDN. Use the **sag-target-uri=<value>** option to override the default behavior.

The value can be set to either:

- **ip** - request URI constructed from **session-agent**, **ip-address**
- **host** - request URI constructed from **session-agent**, **hostname**

This option is global and is configured in the **sip-config** configuration element.

## SIP Session Agent Group Recursion

You can configure a SIP session agent group (SAG) to try all of its session agents rather than to the next-best local policy match if the first session agent in the SAG fails.

With this feature disabled, the Oracle® Enterprise Session Border Controller performs routing by using local policies, trunk group URIs, cached services routes, and local route tables. Local policies and trunk group URIs can use SAGs to find the most appropriate next-hop session agent based on the load balancing scheme you choose for that SAG: round robin, hunt, proportional distribution, least busy, and lowest sustained rate. When it locates a SAG and selects a specific session agent, the Oracle® Enterprise Session Border Controller tries only that single session agent. Instead of trying other members of the SAG, the Oracle® Enterprise Session Border Controller recurses to the local policy that is the next best match. This happens because the Oracle® Enterprise Session Border Controller typically chooses a SAG based on the fact that it has not breached its constraints, but the Oracle® Enterprise Session Border Controller only detects failed call attempts (due to unreachable next hops, unresolved ENUM queries, or SIP 4xx/5xx/6xx failure responses) after it has checked constraints. So the Oracle® Enterprise Session Border Controller only re-routes if there are additional matching local policies.

When you enable SIP SAG recursion, the Oracle® Enterprise Session Border Controller will try the additional session agents in the selected SAG if the previous session agent fails. You can also set specific response codes in the SAG configuration that terminate the recursion. This method of terminating recursion is similar to the Oracle® Enterprise Session Border Controller's ability to stop recursion for SIP interfaces and session agents.

Session agents are selected according to the strategy you set for the SAG, and these affect the way that the Oracle® Enterprise Session Border Controller selects session agents when this feature is enabled:

- **Round robin and hunt**—The Oracle® Enterprise Session Border Controller selects the first session agent according to the strategy, and it selects subsequent session agents based on the order they are entered into the configuration.

- Proportional distribution, least busy, and lowest sustained rate—The Oracle® Enterprise Session Border Controller selects session agents based on the list of session agents sorted by the criteria specified.

You can terminate recursion based on SIP response codes that you enter into the SAG configuration. You can configure a SAG with any SIP response code in the 3xx, 4xx, and 5xx groups. Since you can also set such a list in the session agent configuration, this list is additive to that one so that you can define additional codes for a session agent group without having to repeat the ones set for a session agent.

## About Local Policy

This section explains the role of local policy. Local policy lets you indicate where session requests, such as SIP INVITES, should be routed and/or forwarded. You use a local policy to set a preference for selecting one route over another. The local policy contains the following information that affects the routing of the SIP and H.323 signaling messages:

- information in the From header  
Information in the message's From header is matched against the entries in the local policy's from address parameter to determine if the local policy applies.
- list of configured realms  
This list identifies from what realm traffic is coming and is used for routing by ingress realm. The source realms identified in the list must correspond to the valid realm IDs you have already configured
- local policy attributes  
The attributes serve as an expression of preference, a means of selecting one route over another. They contain information such as the next signaling address to use (next hop) or whether you want to select the next hop by codec, the realm of the next hop, and the application protocol to use when sending a message to the next hop. You can also use the attributes to filter specific types of traffic.

## Routing Calls by Matching Digits

Local policy routing of a call can be based on matching a sequence of digits against what is defined in the local policy. This sequence refers to the first digits in the (phone) number, matching left to right.

The following examples show how the Oracle® Enterprise Session Border Controller matches an area code or number code against configured local policies.

- If the number or area code being matched is 1234567 (where 123 is an area code), and the from address value in one local policy is 123, and the from address value in another local policy is 12, the Oracle® Enterprise Session Border Controller forwards the call to the server that is defined as the next hop in the local policy with 123 as the from address value.
- If the number or area code being matched is 21234, and the from address value in one local policy is 123, and the from address value in another local policy is 12, the Oracle® Enterprise Session Border Controller will not find a match to either local policy because the first character of the number or area code must match the first character in a from address or to address field.

The following examples show how the Oracle® Enterprise Session Border Controller matches an area or number code against different local policies: the first one has a



From address value of 12 and the second has a From address value of 123. The Oracle® Enterprise Session Border Controller chooses the route of the local policy that is configured with the most digits matching the area or number code in its From address and To address fields.

- When the two different local policies route to two different servers, and the area or number code being matched is 123, the Oracle® Enterprise Session Border Controller selects the second local policy based on the From address value of 123.
- When the two different local policies route to two different servers, and the area or number code being matched is 124, the Oracle® Enterprise Session Border Controller selects the first local policy based on the From address value of 12.

## SIP and H.323 Interworking

You need to configure local policies, including the requisite local policy attributes, to use the H.323<—>SIP interworking (IWF). Flow progression in H.323<—>SIP traffic depends heavily on the local policies configured for the Oracle® Enterprise Session Border Controller, which determine what protocol is used on the egress side of a session.

You set the application protocol (an local policy attribute option) to instruct the Oracle® Enterprise Session Border Controller to interwork the protocol of an ingress message into a different protocol (H.323<—>SIP or SIP<—>H.323) upon its egress to the next hop.

For example, if the application protocol is set to SIP, an inbound H.323 message will be interworked to SIP as it is sent to the next hop. An inbound SIP message would pass to the next hop unaffected. If the application protocol is set to H323, an inbound SIP message will be interworked to H.323 before being sent to the next hop.

## Route Preference

The Oracle® Enterprise Session Border Controller builds a list of possible routes based on the source realm and the From-address (From-URI) and To-address (Request-URI), which forms a subset from which preference then decides. Any local policy routes currently outside of the configured time/day are not used, if time/day are set. Also, any local policy routes not on the list of carriers (if carriers is set and the requests has a Carrier header) are not used.

### Note:

Source realm is used in the local policy lookup process, but it is not used in route preference calculations.

The Oracle® Enterprise Session Border Controller applies preference to configured local policies in the following order:

1. Cost (cost in local policy attributes) is always given preference.
2. Matching media codec (media profiles option in local policy attributes).
3. Longest matching To address (to address list in local policy).
4. Shortest matching To address (to address list in local policy).

5. Longest matching From address (from address list in local policy).
6. Shortest matching From address (from address list in local policy).
7. Narrowest/strictest day of week specification (days of week option in local policy attributes).
8. Narrowest/strictest time of day specification (start time and end time options in local policy attributes).
9. Wildcard matches (use of an asterisk as a wildcard value for the from address and to address lists in local policy).
10. Wild card matches are given the least preference. A prefix value of 6 is given a higher preference than a prefix value of \* even though both prefix values are, in theory, the same length.

## DTMF-Style URI Routing

The Oracle® Enterprise Session Border Controller supports the alphanumeric characters a-d, A-D, the asterisk (\*), and the ampersand (#) for local policy matching purposes. The Oracle® Enterprise Session Border Controller handles these characters as standards DN (POTS) or FQDN when found in the to-addr (req-uri username) or from-addr (fromUri username for SIP, SIPS, and TEL URIs).

In addition, before performing the lookup match, the Oracle® Enterprise Session Border Controller strips characters that provide ease-of-reading separation. For example, if the Oracle® Enterprise Session Border Controller were to receive a req-uri containing tel:a-#1-781-328-5555, it would treat it as tel:a#17813285555.

## Add a Local Response Map

Configuring cause and reason mapping for SIP to SIP calls requires a local response map. The entries in the map generate the SIP response and Q850 cause code value for particular error scenarios.

- If you plan to add a Reason header, enable the function in the global SIP configuration.

You can customize the SIP status SIP reason for a local error. For example, the default 503 message for the error that the Oracle® Enterprise Session Border Controller (E-SBC) sends when the licensed session capacity is reached is "503 licensed session capacity reached". You can customize the number for this error message in the SIP Status field, and you can customize the reason in the SIP Reason field. Select licensed-session-capacity-reached from the Local Error list and you can add custom text about the error to the SIP header.

Repeat the following procedure to create as many local response map entries as you need.

1. Access the **entries** configuration element.

```
ORACLE# configure terminal
ORACLE(configure)# session-router
ORACLE(session-router)# local-response-map
```

```
ORACLE(local-response-map)# local-response-map-entries
ORACLE(local-response-map-entries)#
```

2. In the Local response map entries configuration, do the following.

Local error	Select a local error condition from the drop-down list to trigger this map.
SIP status	Enter a SIP response code. Range: 100-699.
Q850 cause	Enter a Q850 cause code. Range: 0-2147483647.
SIP reason	Enter a SIP response comment in quotation marks.
Q850 reason	Enter a Q850 cause comment in quotation marks.
Method	Select a SIP failure response message from the drop-down list to map to a 200 OK. To deactivate this function, make no selection.
Register response expires	Enter the number of seconds after which the REGISTER response expires. Range: 0-999999999.

3. Save the configuration.

## SIP Routing

This section describes SIP session routing. When routing SIP call requests, the Oracle® Enterprise Session Border Controller communicates with other SIP entities, such as SIP user devices, other SIP proxies, and so on, to decide what SIP-based network resource each session should visit next. The Oracle® Enterprise Session Border Controller processes SIP call requests and forwards the requests to the destination endpoints to establish, maintain, and terminate real-time multimedia sessions.

Certain items in the messages are matched with the content of the local policy, within constraints set by the previous hop session agent, and the SIP configuration information (for example, carrier preferences) to determine a set of applicable next hop destinations.

The sending session agent is validated as either a configured session agent or a valid entry in a user cache. If the session INVITATION does not match any registering user, the SIP proxy determines the destination for routing the session INVITATION.

## Limiting Route Selection Options for SIP

You can configure the local policy to use the single most-preferred route. And you can configure the SIP configuration max routes option to restrict the number of routes which can be selected from a local policy lookup:

- A **max-routes=1** value limits the Oracle® Enterprise Session Border Controller to only trying the first route from the list of available preferred routes.
- A **max-routes=0** value or no **max-routes** value configured in the options field allows the Oracle® Enterprise Session Border Controller to use all of the routes available to it.

A Oracle® Enterprise Session Border Controller configured for H.323 architectures will have access to all of the routes it looks up by default.

## About Loose Routing

According to RFC 3261, a proxy is loose routing if it follows the procedures defined in the specification for processing of the Route header field. These procedures separate the destination of the request (present in the Request-URI) from the set of proxies that need to be visited along the way (present in the Route header field).

When the SIP NAT's route home proxy field is set to enabled, the Oracle® Enterprise Session Border Controller looks for a session agent that matches the home proxy address and checks the loose routing field value. If the loose routing is:

- **enabled**—A Route header is included in the outgoing request in accordance with RFC 3261.
- **disabled**—A Route header is not included in the outgoing request; in accordance with the route processing rules described in RFC 2543 (referred to as strict routing). That rule caused proxies to destroy the contents of the Request-URI when a Route header field was present.

Whether loose routing field is enabled is also checked when a local policy 's next hop value matches a session agent. Matching occurs if the hostname or the session agent's IP address field value corresponds to the next hop value. If loose routing is enabled for the matching session agent, the outgoing request retains the original Request-URI and Route header with the next hop address.

## About the Ingress Realm

You can create a list of realms in your local policy that is used by the Oracle® Enterprise Session Border Controller to determine how to route traffic. This list determines from which realm traffic is coming and is used for routing by ingress realm.

The source realm values must correspond to valid identifier entered when the realm was configured.

## About the Egress Realm

An egress realm allows SIP signaling to travel out of the Oracle® Enterprise Session Border Controller through a network other than the home realm. The Oracle® Enterprise Session Border Controller uses egress realms for signaling purposes (when matching flows). When a packet arrives at the Oracle® Enterprise Session Border Controller with a destination address that does not match any defined session agents, the Oracle® Enterprise Session Border Controller uses the address associated with the realm that is, in turn, associated with the SIP configuration's egress realm ID, as the outgoing network. With the use of the egress realm ID, it is possible to define a default route for SIP requests addressed to destinations outside the home realm. If no egress realm is defined, the home realm (default ingress realm) is used as the default egress realm.

With session agent egress realm configured, the Oracle® Enterprise Session Border Controller adds a default egress realm to the session agent to identify the signaling interface used for ping requests. The Oracle® Enterprise Session Border Controller also uses the default egress realm when the normal routing request does not yield an egress realm—for example, when a local policy does not specify the next hop's realm.

When you configure session agents, you can define them without realms or you can wildcard the realm value. These are global session agents, and multiple signaling interfaces can reach them. Then, when you use session agent ping, the Oracle® Enterprise Session Border Controller sends out ping requests using the signaling interface of the default egress realm defined in the global SIP configuration. The global session agents in certain environments can cause problems when multiple global session agents residing in multiple networks, some of which might not be reachable using the default SIP interface egress realm.

The Oracle® Enterprise Session Border Controller uses the session agent egress realm for ping messages even when the session agent has a realm defined. For normal request routing, the Oracle® Enterprise Session Border Controller uses the egress realm for global session agents when local policies or SIP-NAT bridge configurations do not point to an egress realm.

## Ping Message Egress Realm Precedence

For ping messages, the egress realm precedence occurs in the following way (in order of precedence):

- Egress realm identified for the session agent.
- Session agent realm (set in the realm-id parameter) or the wildcarded value
- Global SIP configuration egress realm, when configured in the egress-realm parameter
- Global SIP configuration home realm

## Normal Request Egress Realm Precedence

For normal request routing, the egress realm precedence occurs in the following way (in order of precedence):

- Egress SIP-NAT realm, when the **route-home-proxy** parameter is set to **forced** and no local policy match is found
- Matching local policy realm, when configured in the local policy attributes
- Session agent realm (set in the realm-id parameter) or the wildcarded value
- Session agent egress realm, when configured in the egress-realm-id parameter
- Global SIP configuration egress realm, when configured in the egress-realm parameter
- Global SIP configuration home realm

## Session Agent Egress Realm Configuration

Configuring a session agent egress realm is optional.

To configure a session agent egress realm:

1. In Superuser mode, type **configure terminal** and press Enter.

```
ORACLE# configure terminal  
ORACLE(configure)#
```

2. Type **session-router** and press Enter.

```
ORACLE(configure)# session-router
ORACLE(session-router)#
```

3. Type **session-agent** and press Enter.

```
ORACLE(session-router)# session-agent
ORACLE(session-agent)#
```

If you are adding this feature to an existing configuration, you need to select the configuration (using the ACLI **select** command) before making your changes.

4. **egress-realm-id**—Enter the name of the realm you want defined as the default egress realm used for ping messages. The Oracle® Enterprise Session Border Controller will also use this realm when it cannot determine the egress realm from normal routing. There is no default value for this parameter.
5. Save and activate your configuration.

## About SIP Redirect

SIP redirect involves proxy redirect and tunnel redirect.

### Proxy Redirect

You can configure the SIP proxy mode to define how the SIP proxy will forward requests coming from the session agent. This value is used if the session agent's proxy mode has no value (is empty).

### Tunnel Redirect

You can use tunnel redirect when requests are routed to a server behind a SIP NAT that sends redirect responses with addresses that should not be modified by the SIP NAT function. For example, a provider might wish to redirect certain calls (like 911) to a gateway that is local to the UA that sent the request. Since the gateway address is local to the realm of the UA, it should not be modified by the SIP NAT of the server's realm. Note that the server must have a session agent configured with the `redirect-action` field set to the proxy option in order to cause the redirect response to be sent back to the UA.

## SIP Method Matching and To Header Use for Local Policies

For SIP, this feature grants you greater flexibility when using local policies and has two aspects: basing local policy routing decisions on one or more SIP methods you configure and enabling the Oracle® Enterprise Session Border Controller to use the TO header in REGISTER messages for routing REGISTER requests.

### SIP Methods for Local Policies

This feature allows the Oracle® Enterprise Session Border Controller to include SIP methods in routing decisions. If you want to use this feature, you set a list of one or more SIP methods in the local policy attributes. These are the SIP methods you

can enter in the list: INVITE, REGISTER, PRACK, OPTIONS, INFO, SUBSCRIBE, NOTIFY, REFER, UPDATE, MESSAGE, and PUBLISH.

After the Oracle® Enterprise Session Border Controller performs a local policy look-up for SIP, it then searches for local policy attributes that have this methods list configured. If it finds a set of policy attributes that matches a method that matches the traffic it is routing, the Oracle® Enterprise Session Border Controller uses that set of policy attributes. This means that the Oracle® Enterprise Session Border Controller considers first any policy attributes with methods configured before it considers those that do not have methods. In the absence of any policy attributes with methods, the Oracle® Enterprise Session Border Controller uses the remaining ones for matching.

In cases where it finds neither matching policy attributes with methods or matching policy attributes without them, the Oracle® Enterprise Session Border Controller either rejects the calls with a 404 No Routes Found (if the request calls for a response) or drops the call.

You configure local policy matching with SIP methods in the local policy attributes parameter calls **methods**. This parameter is a list that takes either one or multiple values. If you want to enter multiple values, you put them in the same command line entry, enclosed in quotation marks and separated by spaces.

To configure SIP methods for local policy matching:

1. In Superuser mode, type **configure terminal** and press Enter.

```
ORACLE# configure terminal
ORACLE(configure)#
```

2. Type **session-router** and press Enter.

```
ORACLE(configure)# session-router
ORACLE(session-router)#
```

3. Type **local-policy** and press Enter. If you are adding this feature to a pre-existing local policy configuration, you will need to select and edit your local policy.

```
ORACLE(session-router)# local-policy
ORACLE(local-policy)#
```

4. Type **policy-attributes** and press Enter. If you are adding this feature to a pre-existing local policy configuration, you will need to select and edit your local policy.

```
ORACLE(local-policy)# policy-attributes
ORACLE(policy-attributes)#
```

5. **methods**—Enter the SIP methods you want to use for matching this set of policy attributes. Your list can include: INVITE, REGISTER, PRACK, OPTIONS, INFO, SUBSCRIBE, NOTIFY, REFER, UPDATE, MESSAGE, and PUBLISH.

By default, this parameter is empty—meaning that SIP methods will not be taken into consideration for routing based on this set of policy attributes.

If you want to enter more than one method, your entry will resemble the following example.

```
ACMEPACKET(local-policy-attributes)# methods "PRACK INFO REFER"
```

6. Save and activate your configuration.

## Routing Using the TO Header

For the Oracle® Enterprise Session Border Controller's global SIP configuration, you can enable the use of an ENUM query to return the SIP URI of the Registrar for a SIP REGISTER message. Without this feature enabled, the Oracle® Enterprise Session Border Controller uses the REQUEST URI. This ability can be helpful because REGISTER messages only have the domain in the REQUEST URI, whereas the SIP URI in the To header contains the user's identity.

There are two parts to enabling this feature. First, you must enable the **register-use-to-for-ip** parameter in the global SIP configuration. Then you can set the next-hop in the applicable local policy attributes set to **ENUM**.

To enable your global SIP configuration for routing using the TO header:

1. In Superuser mode, type **configure terminal** and press Enter.

```
ORACLE# configure terminal  
ORACLE(configure)#
```

2. Type **session-router** and press Enter.

```
ORACLE(configure)# session-router  
ORACLE(session-router)#
```

3. Type **sip-config** and press Enter. If you are adding this feature to a pre-existing SIP configuration, you will need to select and edit it.

```
ORACLE(session-router)# sip-config  
ORACLE(sip-config)#
```

4. **register-use-to-for-ip**—Set this parameter to enabled if you want the Oracle® Enterprise Session Border Controller to use, for routing purposes, an ENUM query to return the SIP URI of the Registrar for a SIP REGISTER message. This parameter defaults to **disabled**.

To set up your local policy attributes for routing using the TO header:

5. In Superuser mode, type **configure terminal** and press Enter.

```
ORACLE# configure terminal  
ORACLE(configure)#
```

6. Type **session-router** and press Enter.

```
ORACLE(configure)# session-router  
ORACLE(session-router)#
```



7. Type **local-policy** and press Enter. If you are adding this feature to a pre-existing local policy configuration, you will need to select and edit your local policy.

```
ORACLE(session-router)# local-policy
ORACLE(local-policy)#
```

8. Type **policy-attributes** and press Enter. If you are adding this feature to a pre-existing local policy configuration, you will need to select and edit your local policy.

```
ORACLE(local-policy)# policy-attributes
ORACLE(policy-attributes)#
```

9. **next-hop**—This is the next signaling host. Set this parameter to ENUM if you want to use SIP methods in local policy attribute information for routing purposes.
10. Save and activate your configuration.

## H.323 Routing

This section describes H.323 routing.

### Egress Stack Selection

Egress stack selection includes static stack selection and policy-based stack selection

#### Static Stack Selection

In static stack selection, the outgoing stack is determined through the establishment of associated stacks in the h323 stack.

The incoming stack (configured in the h323 stack) uses its associated stack value to determine the associated outgoing stack. The associated stack value corresponds to the name of an h323 stack. This type of selection is referred to as static because the incoming stack always uses the stack specified in the associated stack as the outgoing stack; no other stacks are considered.

#### Policy-Based Stack Selection

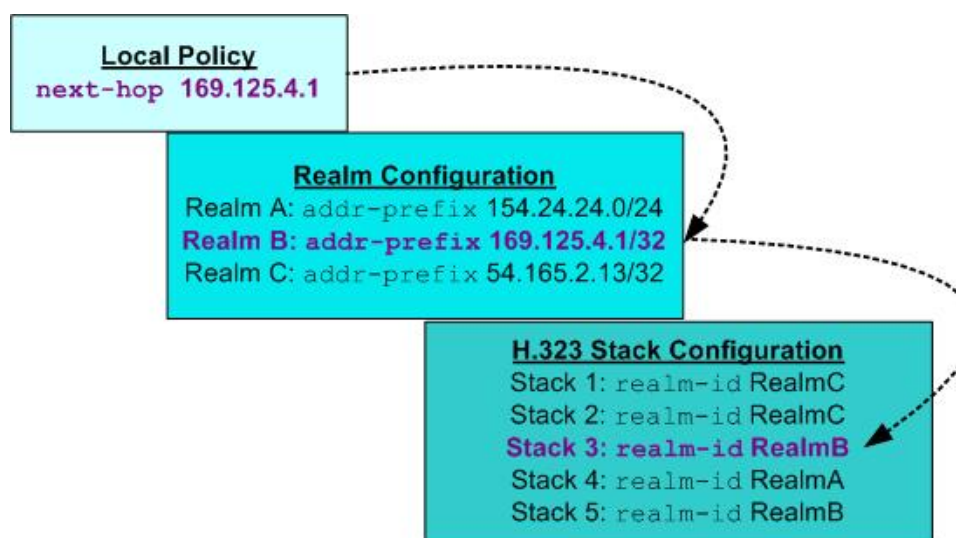
The Oracle® Enterprise Session Border Controller performs dynamic, policy-based stack selection when an H.323 call arrives at the Oracle® Enterprise Session Border Controller and a configured associated outgoing stack cannot be found.

For policy-based stack selection, the Oracle® Enterprise Session Border Controller refers to local policies that contain address information that corresponds to incoming traffic. This information is contained in the local policy's To address and From address fields. For the source, this information is matched with the Q.931 calling party number; if there is no calling party number, the H.323 source address is used. For the destination, this information is matched with the called party number; if there is no called party number, then the H.323 destination address is used.

After a local policy corresponding to the incoming traffic has been found, the Oracle® Enterprise Session Border Controller looks at the next hop value (a local policy attribute) and selects a local policy for the basis of stack selection. If the local policy look-up yields multiple local policies with the same next hop values, but with different cost values, the local policy with the lowest cost value is selected.

If a realm is not defined in the local policy, the next hop address is then matched against the address prefix values for the realms that are configured for the system. Thus, the Oracle® Enterprise Session Border Controller discovers the realm for this traffic. Using this realm information, the Oracle® Enterprise Session Border Controller performs stack selection. It uses the first configured H.323 stack in the Oracle® Enterprise Session Border Controller's configuration that has a realm ID value matching the identifier field of the realm with the appropriate address prefix.

In the following example, the local policy matching yields a local policy with a next hop value of 169.125.4.1, which corresponds to RealmB. The outgoing stack selected is Stack 3 because it is the first stack to have been configured with RealmB as the realm ID.



Policy-Based Stack Selection

## Registration Caching

The Oracle® Enterprise Session Border Controller can cache and proxy an H.225 RegistrationRequest (RRQ) between an H.323 endpoint and a gatekeeper. Registration caching serves two functions:

- It allows aggregation of RRQs sent to a gatekeeper stack and proxies those requests through the gateway stack. If the external gatekeeper associated with the gatekeeper stack supports additive registration, the requests will be consolidated. Furthermore, if the gatekeeper supports additive registration, the Oracle® Enterprise Session Border Controller will register in an additive manner, meaning that will send additive RRQs.
- It allows the gatekeeper stack to use the registration information to route calls from other realms to endpoints in its realms.

To perform registration caching, the Oracle® Enterprise Session Border Controller must be configured with at least two stacks. One of these stacks will receive registrations (gatekeeper stack), and one stack will proxy registrations (gateway stack). The Oracle® Enterprise Session Border Controller caches all successful registrations and uses the cache to route calls to the endpoints.

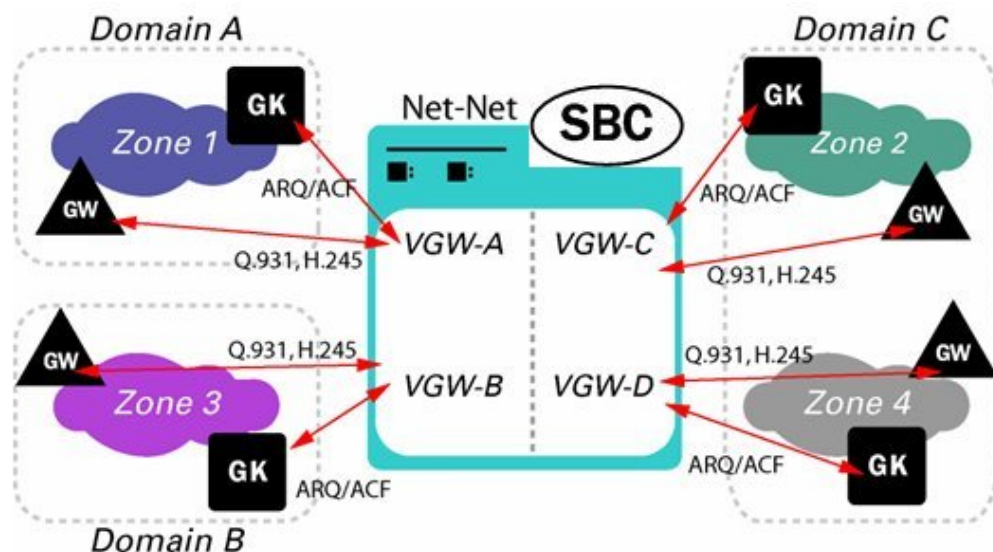
## Gatekeeper Provided Routes

Gatekeeper provided routes includes back-to-back gateways, back-to-back gatekeeper and gateway, and interworking gatekeeper/gateway.

### Back-to-Back Gateway

When the Oracle® Enterprise Session Border Controller is functioning as a back-to-back gateway (B2BGW), it appears as multiple H.323 gateways to multiple networks. Each Oracle® Enterprise Session Border Controller virtual gateway discovers and registers with a gatekeeper in its respective domain. Each gateway relies on its gatekeeper for admission and location services through the ARQ/ACF exchange. H.225 call control and H.245 messages are exchanged directly with the terminating gateway or gatekeeper. Routing policies are used to associate one virtual gateway with another.

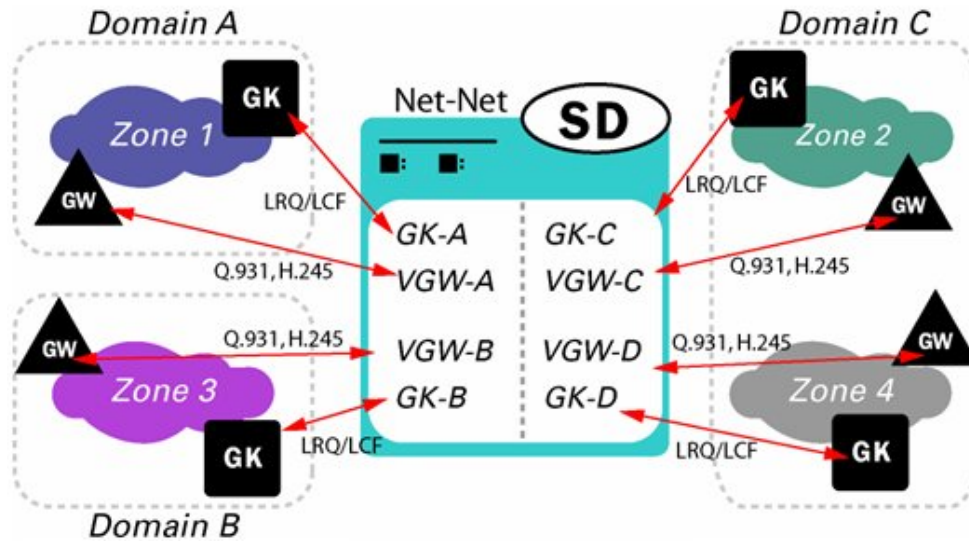
The following diagram illustrates the back-to-back gateway.



### Back-to-Back Gatekeeper and Gateway

For peering connections where both networks use inter-domain gatekeeper signaling, the Oracle® Enterprise Session Border Controller is configured as a back-to-back gatekeeper proxy and gateway mode of operation. The Oracle® Enterprise Session Border Controller responds and issues LRQs and LCFs/LRJs acting as a routed gatekeeper. Peered gatekeepers send LRQ to the RAS address of one of the Oracle® Enterprise Session Border Controller's virtual gatekeepers and it responds by providing its call signaling address that performs the gateway functions. Routing policies are used to determine the egress virtual gatekeeper that then exchanges LRG/LCF to determine the call signaling address of the terminating gateway.

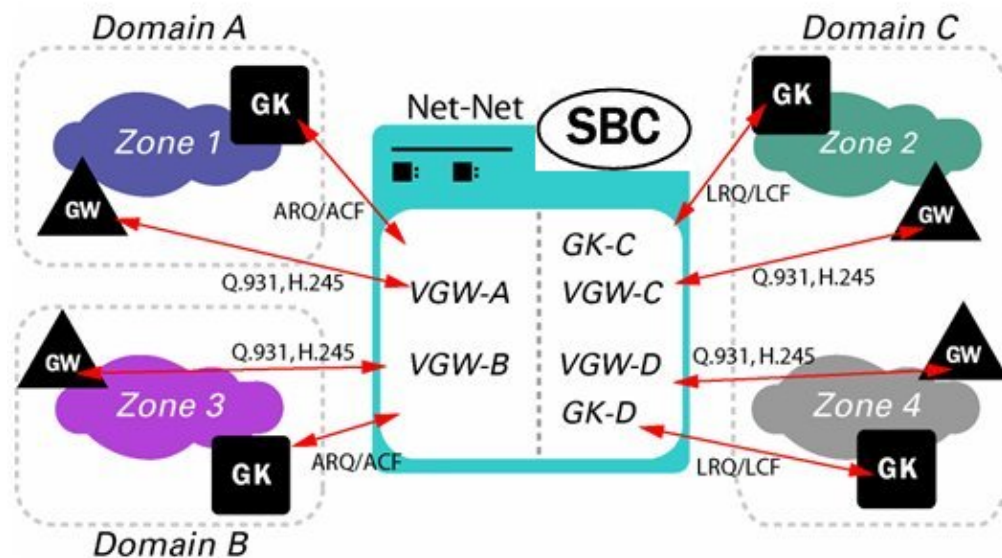
The following diagram illustrates the back-to-back gatekeeper and gateway.



## Interworking Gatekeeper Gateway

In the interworking gatekeeper/gateway signaling mode of operation, the Oracle® Enterprise Session Border Controller interworks between the other two modes; presenting a routed gatekeeper interface to one zone and a gateway to the other.

The following diagram illustrates the interworking gatekeeper/gateway.

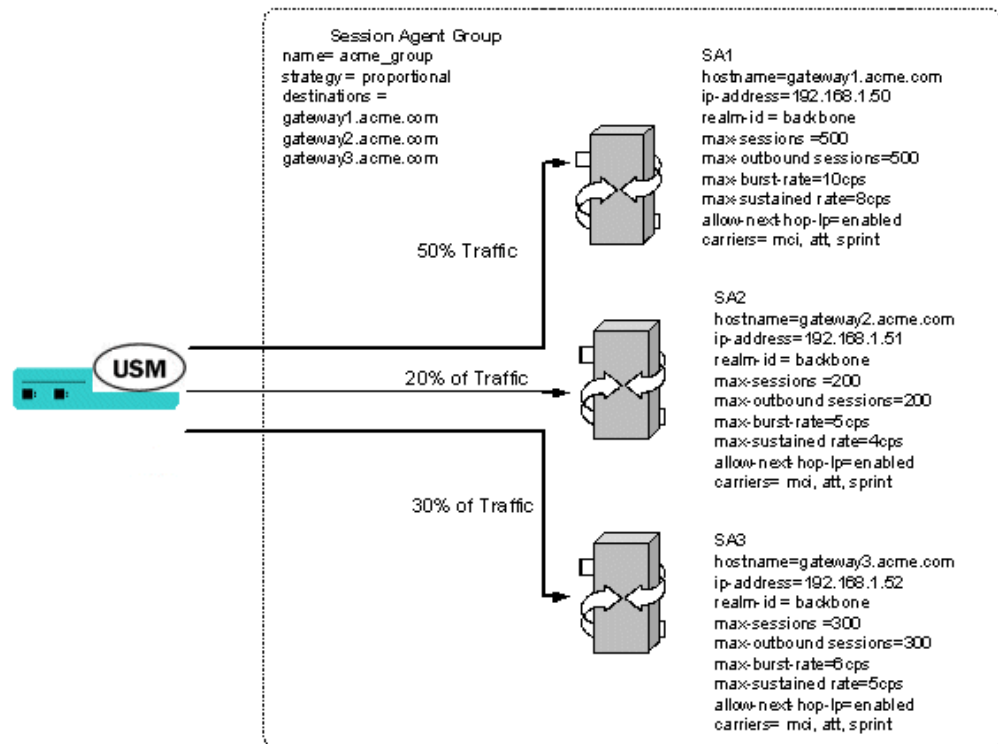


## Load Balancing

This section describes Oracle® Enterprise Session Border Controller load balancing. You can use session agent groups to assist in load balancing among session agents. You define concurrent session capacity and rate attributes for each session agent and

then define the session agent group. Next, you select the allocation strategy you want applied to achieve the load balancing you want.

The following example shows a configuration for load balancing gateways based on a proportional allocation strategy.



Routing and load balancing capabilities include the following:

- least cost, which includes cost-based and time-based routing
- customer preference
- traffic aggregation
- routing by media (codec) type
- capacity-based, by destination
- service element load balancing
- service element failure detection and re-route
- session agent failure
- routing by codec

## Configuring Routing

This section explains how to configure routing on the Oracle® Enterprise Session Border Controller.

## Configuration Prerequisite

You should have already configured the realms for your environment before you configure the routing elements. You need to know the realm identifier when configuring session agents and local policy.

You can use an asterisk (\*) when the session agent exists in multiple realms.

## Configuration Order

Recommended order of configuration:

- realm
- session agent
- session agent group
- local policy

## Routing Configuration

You can enable, then configure, individual constraints that are applied to the sessions sent to the session agent. These constraints can be used to regulate session activity with the session agent. In general, session control constraints are used for session agent groups or SIP proxies outside or at the edge of a network. Some individual constraints, such as maximum sessions and maximum outbound sessions are not applicable to core proxies because they are transaction stateful, instead of session stateful. Other constraints, such as maximum burst rate, burst rate window, maximum sustained rate, and sustained rate are applicable to core routing proxies.

## Configuring Session Agents

To configure session agents:

1. In Superuser mode, type **configure terminal** and press Enter.

```
ORACLE# configure terminal
```

2. Type **session-router** and press Enter to access the system-level configuration elements.

```
ORACLE(configure)# session-router
```

3. Type **session-agent** and press Enter. The system prompt changes to let you know that you can begin configuring individual parameters.

```
ORACLE(session-router)# session-agent  
ORACLE(session-agent)#
```

4. **host-name**—Enter the name of the host associated with the session agent in either hostname or FQDN format, or as an IP address.

If you enter the host name as an IP address, you do not have to enter an IP address in the optional IP address parameter. If you enter the host name in FQDN



format, and you want to specify an IP address, enter it in the optional IP address parameter. Otherwise you can leave the IP address parameter blank to allow a DNS query to resolve the host name.

If the initial DNS query for the session agent fails to get back any addresses, the session agent is put out-of-service. When session agent is pinged, the DNS query is repeated. The ping message is not sent until the DNS query gets back one or more IP addresses. After the query receives some addresses, the ping message is sent. The session agent remains out of service until one of the addresses responds.

 **Note:**

The value you enter here must be unique to this session agent. No two session agents can have the same hostname.

The hostnames established in the session agent populate the corresponding fields in other elements.

5. **ip-address**—Optional. Enter the IP address for the hostname you entered in FQDN format if you want to specify the IP address. Otherwise, you can leave this parameter blank to allow a DNS query to resolve the host name.
6. **port**—Enter the number of the port associated with this session agent. Available values include:
  - zero (0)—If you enter zero (0), the Oracle® Enterprise Session Border Controller will not initiate communication with this session agent (although it will accept calls).
  - 1025 through 65535

The default value is **5060**.

 **Note:**

If the transport method value is TCP, the Oracle® Enterprise Session Border Controller will initiate communication on that port of the session agent.

7. **state**—Enable or disable the session agent by configuring the state. By default, the session agent is **enabled**.
  - enabled | disabled
8. **app-protocol**—Enter the protocol on which you want to send the message. The default value is **SIP**. Available values are:
  - SIP | H.323
9. **app-type**—If configuring H.323, indicate whether the application type is a gateway or a gatekeeper. Available values include:
  - **H.323-GW**—gateway
  - **H.323-GK**—gatekeeper

10. **transport-method**—Indicate the IP protocol to use (transport method) to communicate with the session agent. **UDP** is the default value. The following protocols are supported:
- **UDP**—Each UDP header carries both a source port identifier and destination port identifier, allowing high-level protocols to target specific applications and services among hosts.
  - **UDP+TCP**—Allows an initial transport method of UDP, followed by a subsequent transport method of TCP if and when a failure or timeout occurs in response to a UDP INVITE. If this transport method is selected, INVITEs are always sent through UDP as long as a response is received.
  - **DynamicTCP**—dTCP indicates that dynamic TCP connections are the transport method for this session agent. A new connection must be established for each session originating from the session agent. This connection is torn down at the end of a session.
  - **StaticTCP**—sTCP indicates that static TCP connections are the transport method for this session agent. Once a connection is established, it remains and is not torn down.
  - **DynamicTLS**—dTLS indicates that Dynamic TLS connections are the transport method for this session agent. A new connection must be established for each session originating from the session agent. This connection is torn down at the end of a session.
  - **StaticTLS**—sTLS indicates that Static TLS connections are the transport method for this session agent. Once a connection is established, it will remain and not be torn down.
11. **realm-id**—Optional. Indicate the ID of the realm in which the session agent resides.

The realm ID identifies the realm for sessions coming from or going to this session agent. For requests coming from this session agent, the realm ID identifies the ingress realm. For requests being sent to this session agent, the realm ID identifies the egress realm. In a Oracle® Enterprise Session Border Controller, when the ingress and egress realms are different, the media flows must be steered between the realms.

- no value: the egress realm is used unless the local policy dictates otherwise
- asterisk (\*): keep the egress realm based on the Request URI

 **Note:**

The realm ID you enter here must match the valid identifier value entered when you configured the realm.

12. **description**—Optional. Enter a descriptive name for this session agent.
13. **carriers**—Optional. Add the carriers list to restrict the set of carriers used for sessions originating from this session agent.

Carrier names are arbitrary names that can represent specific service providers or traditional PSTN telephone service providers (for sessions delivered to gateways). They are global in scope, especially if they are exchanged in TRIP. Therefore, the definition of these carriers is beyond the scope of this documentation.



You could create a list using carrier codes already defined in the North American Numbering Plan (NANP); or those defined by the local telephone number or carrier naming authority in another country.

 **Note:**

If this list is empty, any carrier is allowed. If it is not empty, only local policies that reference one or more of the carriers in this list will be applied to requests coming from this session agent.

14. **allow-next-hop-ip**—Indicate whether this session agent can be used as a next hop in the local policy.

If you retain the default value of **enabled**, the session agent can be used as the next hop for the local policy. Valid values are:

- enabled | disabled

15. **constraints**—Enable this parameter to indicate that the individual constraints you configure in the next step are applied to the sessions sent to the session agent. Retain the default value of **disabled** if you do not want to apply the individual constraints. Valid values are:

- enabled | disabled

 **Note:**

In general, session control constraints are used for SAGs or SIP proxies outside or at the edge of a network.

16. Enter values for the individual constraints you want applied to the sessions sent to this session agent. The following table lists the available constraints along with a brief description and available values.

maximum sessions	<p>Maximum number of sessions (inbound and outbound) allowed by the session agent. The range of values is:</p> <ul style="list-style-type: none"> <li>• minimum: zero (0) is the default value and means there is no limit</li> <li>• maximum: 4294967295</li> </ul>
maximum outbound sessions	<p>Maximum number of simultaneous outbound sessions (outbound from the Oracle® Enterprise Session Border Controller) that are allowed from the session agent. The range of values is:</p> <ul style="list-style-type: none"> <li>• minimum: zero (0) is the default value and means there is no limit</li> <li>• maximum: 4294967295</li> </ul> <p>The value you enter here cannot be larger than the maximum sessions value.</p>
maximum burst rate	<p>Number of session invitations allowed to be sent to or received from the session agent within the configured burst rate window value.</p>

	<p>SIP session invitations arrive at and leave from the session agent in intermittent bursts. By entering a value in this field, you can limit the amount of session invitations that are allowed to arrive at and leave from the session-agent.</p> <p>For example, if you enter a value of 50 here and a value of 60 (seconds) for the burst rate window constraint, no more than 50 session invitations can arrive at or leave from the session agent in that 60 second time frame (window). Within that 60-second window, any sessions over the limit of 50 are rejected.</p> <p>The range of values is:</p> <ul style="list-style-type: none"> <li>• minimum: zero (0) session invitations per second</li> <li>• maximum: 4294967295 session invitations per second</li> </ul> <p>Zero is the is the default value.</p>
<p>maximum sustain rate</p>	<p>Maximum rate of session invitations (per second) allowed to be sent to or received from the session agent within the current window. The current rate is determined by counting the number of session invitations processed within a configured time period and dividing that number by the time period. By entering a value in this field, you can limit the amount of session invitations that are allowed to arrive at and leave from the session agent over a sustained period of time. For the sustained rate, the Oracle® Enterprise Session Border Controller maintains a current and previous window size. The period of time over which the rate is calculated is always between one and two window sizes.</p> <p>For example, if you enter a value of 5000 here and a value of 3600 (seconds) for the sustain rate window constraint, no more than 5000 session invitations can arrive at or leave from the session agent in any given 3600 second time frame (window). Within that 3600-second window, sessions over the 5000 limit are rejected.</p> <p>The range of values is:</p> <ul style="list-style-type: none"> <li>• minimum: zero (0) invitations per second</li> <li>• maximum: 4294967295 invitations per second</li> </ul> <p>Zero is the is the default value.</p> <p>The value you set here must be larger than the value you set for the maximum burst rate constraint.</p>
<p>time to resume</p>	<p>Time in seconds after which the SIP proxy resumes sending session invitations to this session agent. This value only takes effect when the SIP proxy stops sending invitations because a constraint is exceeded.</p> <p>The range of values is:</p> <ul style="list-style-type: none"> <li>• minimum: zero (0) seconds</li> <li>• maximum: 4294967295 seconds</li> </ul> <p>Default is zero.</p>

time to resume (ttr) no response	<p>Delay in seconds that the SIP proxy must wait from the time that it sends an invitation to the session agent and gets no response before it tries again.</p> <p>The range of values is:</p> <ul style="list-style-type: none"> <li>• minimum: zero (0) seconds</li> <li>• maximum: 4294967295 seconds</li> </ul> <p>Default is zero.</p> <p>The value you enter here must be larger than the value you enter for the time to resume constraint.</p>
in service period	<p>Amount of time in seconds the session agent must be operational (once communication is re-established) before the session agent is declared as being in-service (ready to accept session invitations). This value gives the session agent adequate time to initialize.</p> <p>The range of values is:</p> <ul style="list-style-type: none"> <li>• minimum: zero (0) seconds</li> <li>• maximum: 4294967295 seconds</li> </ul> <p>Default is zero.</p>
burst rate window	<p>Burst window period (in seconds) that is used to measure the burst rate. The term window refers to the period of time over which the burst rate is computed. Refer to the maximum burst rate information.</p> <p>The range of values is:</p> <ul style="list-style-type: none"> <li>• minimum: zero (0) seconds</li> <li>• maximum: 4294967295seconds</li> </ul> <p>Zero is the is the default value.</p> <p>The value you set here must be smaller than the value you set for the maximum burst rate constraint.</p>
sustain rate window	<p>Sustained window period (in seconds) that is used to measure the sustained rate. Refer to the maximum sustain rate information.</p> <p>The range of values is:</p> <ul style="list-style-type: none"> <li>• minimum: zero (0) seconds</li> <li>• maximum: 4294967295seconds</li> </ul> <p>Zero is the is the default value.</p> <p>The value you set here must be larger than the value you set for the maximum sustain rate constraint.</p>

- 17. req-uri-carrier-mode**—SIP only. Set whether you want the selected carrier (determined by a value in the local policy) added to the outgoing message by configuring the request uri carrier mode parameter.

You can set this parameter to let the system perform simple digit translation on calls sent to gateways. A 3-digit prefix is inserted in front of the telephone number (the Request-URI) that the gateway will use to select a trunk group. Most often, the Oracle® Enterprise Session Border Controller needs to insert the carrier code into the signaling message that it sends on.

The default value is **none**. The following lists the available modes.

- **none**—Carrier information will not be added to the outgoing message.
- **uri-param**—Adds a parameter to the Request-URI. For example, cic-XXX.
- **prefix**—Adds the carrier code as a prefix to the telephone number in the Request-URI (in the same manner as PSTN).

18. **proxy-mode**—SIP only. Indicate the proxy mode to use when a SIP request arrives from this session agent.

If this field is empty (upon initial runtime or upgrade), its value is set to the value of the SIP configuration's proxy mode by default. If no proxy mode value was entered for the SIP configuration, the default for this field is **proxy**.

The following are valid proxy modes:

- **proxy**—If the Oracle® Enterprise Session Border Controller is a Session Router, the system will proxy the request coming from the session agent and maintain the session and dialog state. If the Oracle® Enterprise Session Border Controller is a Session Director, the system behaves as a B2BUA when forwarding the request.
- **redirect**—The system sends a SIP 3xx reDIRECT response with contacts (found in the local policy) to the previous hop.

19. **redirect-action**—SIP only. Indicate the action you want the SIP proxy to take when it receives a Redirect (3XX) response from the session agent.

If the response comes from a session agent and this field is empty (upon initial runtime or upgrade), the redirect action will be recurse. If no session agent is found (for example, if a message comes from an anonymous user agent), the redirect action is set to proxy. If the Redirect (3xx) response does not have any Contact header, the response will be sent back to the previous hop.

The following table lists the available proxy actions along with a brief description

- **proxy**—The SIP proxy passes the response back to the previous hop; based on the proxy mode of the original request.
- **recurse**—The SIP proxy serially sends the original request to the list of contacts in the Contact header of the response (in the order in which the contacts are listed in the response). For example, if the first one fails, the request will be sent to the second, and so on until the request succeeds or the last contact in the Contact header has been tried.

20. **loose-routing**—SIP only. Enable this parameter if you want to use loose routing (as opposed to strict routing). The default is **enabled**. Valid values are:

- enabled | disabled

When the SIP NAT route home proxy parameter is enabled, the Oracle® Enterprise Session Border Controller looks for a session agent that matches the home proxy address and checks the loose routing value. If loose routing is enabled, a Route header is included in the outgoing request in accordance with RFC 3261. If loose routing is disabled, the Route header is not included in the outgoing request (in accordance with strict routing procedures defined in RFC 2543).

The loose routing value is also checked when the local policy's next hop value matches a session agent. If loose routing is set to enabled, the outgoing request retains the original Request-URI and Route header with the next hop address.

21. **send-media-session**—SIP only. Enable this parameter if you want to include a media session description (for example, SDP) in the INVITE or REINVITE message sent by the Oracle® Enterprise Session Border Controller. Setting this field to **disabled** prevents the Oracle® Enterprise Session Border Controller from establishing flows for that INVITE message.

The default is **enabled**. Valid values are:

- enabled | disabled

 **Note:**

Only set send media session to disabled for a session agent that always redirects requests. It returns an error or 3xx response instead of forwarding an INVITE message. In addition, do not disable send media session on session agents that support SIP-to-H.323 IWF call flows. This can cause call failure.

22. **response-map**—Optional and for SIP only. Enter the name of the response map to use for this session agent. The mappings in each SIP response map is associated with a corresponding session agent. You can also configure this value for individual SIP interfaces.

23. **ping-method**—SIP only. Indicate the SIP message/method to use to ping a session agent. The ping confirms whether the session agent is in service. If this field is left empty, no session agent will be pinged.

Setting this field value to the OPTIONS method might produce a lengthy response from certain session agents and could potentially cause performance degradation on your Oracle® Enterprise Session Border Controller.

24. **ping-interval**—SIP only. Indicate how often you want to ping a session agent by configuring the ping interval parameter. Enter the number of seconds you want the Oracle® Enterprise Session Border Controller to wait between pings to this session agent. The default value is 0. The valid range is:

- Minimum: 0
- Maximum: 999999999

The Oracle® Enterprise Session Border Controller only sends the ping if no SIP transactions (have occurred to/from the session agent within the time period you enter here.

25. **trunk-group**—Enter up to 500 trunk groups to use with this single session agent. Because of the high number of trunk groups you can enter, the ACLI provides enhanced editing mechanisms for this parameter:

- You use a plus sign (+) to add single or multiple trunk groups to the session agent's list.

When you add a single trunk group, simply use the plus sign (+) in front of the trunk group name and context. Do not use a Space between the plus sign and the trunk group name and context.

For example, you might have already configured a list of trunk groups with the following entries: **tgrpA:contextA**, **tgrpB:contextB**, and **tgrpC:contextC**. To add **tgrp1:context1**, you would make the following entry:

```
ORACLE(session-agent)# trunk-group +tgrp1:context1
```

Your list would then contain all four trunk groups.

When you add multiple trunk groups, simply enclose your entry in quotation marks (") or in parentheses (()). While you put spaces between the trunk group name and context entries, you do not use spaces with the plus sign, parentheses or quotation marks.

```
ORACLE(session-agent)# trunk-group "tgrp1:context1
tgrp2:context2 tgrp3:context3"
```

- You use a minus sign (-) to delete single or multiple trunk groups from the session agent's list.

When you remove a single trunk group, simply use the minus sign (-) in front of the trunk group name and context. Do not use a Space between the minus sign and the trunk group name and context.

For example, you might have already configured a list of trunk groups with the following entries: **tgrpA:contextA**, **tgrpB:contextB**, **tgrpC:contextC**, and **tgrp1:context1**. To delete **tgrp1:context1** from the list, you would make the following entry:

```
ORACLE(session-agent)# trunk-group -tgrp1:context1
```

Your list would then contain: **tgrpA:contextA**, **tgrpB:contextB**, and **tgrpC:contextC**.

When you add multiple trunk groups, simply enclose your entry in quotation marks (") or in parentheses (()). While you put spaces between the trunk group name and context entries, you do not use spaces with the plus sign, parentheses or quotation marks.

```
ORACLE(session-agent)# trunk-group "tgrp1:context1 tgrp2:context2"
```

- You overwrite (replace) the entire list of a session agent's trunk groups by entering a list that does not use either the plus (+) or the minus (-) sign syntax.
26. **ping-in-service-response-codes**—SIP only. Enter the list of response codes that keep a session agent in service when they appear in its response to the Oracle® Enterprise Session Border Controller's ping request. The Oracle® Enterprise Session Border Controller takes the session agent out of service should a response code be used that does not appear on this list. Default is **none**.
  27. **out-service-response-codes**—SIP only. Enter the list defines the response codes that take a session agent out of service when they appear in its response to the Oracle® Enterprise Session Border Controller's ping request or any in-dialog creating request (such as an INVITE, SUBSCRIBE, etc.). The Oracle® Enterprise Session Border Controller ignores this list if an in-service list exists.

28. **options**—Optional. You can add your own features and/or parameters by using the options parameter. You enter a comma-separated list of either or both of the following:

- feature=<value feature>

For example:

You can include the original address in the SIP message from the Oracle® Enterprise Session Border Controller to the proxy in the Via header parameter by entering the following option:

```
via-origin=<parameter-name>
```

The original parameter is included in the Via of the requests sent to the session agent. The via origin feature can take a value that is the parameter name to include in the Via. If the value is not specified for via origin, the parameter name is origin.

 **Note:**

If the feature value itself is a comma-separated list, enclose it within quotation marks.

29. **media-profiles**—Optional and for H.323 only. You can enter a list of media profiles to open logical channels when starting an outgoing call as a Fast Start H.323 call.

Values you enter here must start with either an alphabetical character from A through Z (A-Za-z) or with an underscore (\_). After the first character, each list entry can contain any combination of alphabetical or numerical characters (0-9A-Za-z), as well as the period (.), the dash (-), and the underscore (\_). For example, netnet\_mediaprofile1.

You can enter 1 to 24 characters.

 **Note:**

The values you enter here must correspond to a valid name you entered when you configure the media profile.

30. **in-translationid**—Optional. Enter the In Translation ID for a configured session translation (group of address translation rules with a single ID) if you want to apply session translation to incoming traffic.
31. **out-translationid**—Optional. Enter the Out Translation ID for a configured session translation (group of address translation rules with a single ID) if you want to apply session translation to outgoing traffic.

Address translations attached to session agents take precedence over address translations attached to realms. If no address translation is applied to a session agent, then the Oracle® Enterprise Session Border Controller will use the address translation applied to a realm. If an address translation is applied to both a realm and session agent, the translation attached to the session agent will apply. If the applicable session agent and realm have no associated translations, then the addresses will remain in their original forms and no address translations will be performed.

**32. trust-me**—Indicate whether this session agent is a trusted source, which the Oracle® Enterprise Session Border Controller checks when it receives a message to determine if the source is trusted. The default value is **disabled**. The valid values are:

- enabled | disabled

The following example shows a session agent with an IP address used for the hostname.

```

session-agent
  hostname                192.168.1.10
  ip-address              192.168.1.10
  port                   5060
  state                  enabled
  app-protocol           SIP
  app-type
  transport-method      UDP
  realm-id               realm-1
  description            englab
  carriers
                        carrier1
  allow-next-hop-lp      enabled
  constraints            disabled
  max-sessions           355
max-inbound-sessions    4
  max-outbound-sessions 355
  max-burst-rate         0
  max-inbound-burst-rate 10
  max-outbound-burst-rate 1
  max-sustain-rate      3000
  max-inbound-sustain-rate 0
  max-outbound-sustain-rate 0
  min-seizures          5
  min-asr                0 time-to-
resume                  60
  ttr-no-response       0
  in-service-period     30
  burst-rate-window     60
  sustain-rate-window   3600
  req-uri-carrier-mode  None
  proxy-mode            Proxy
  redirect-action       Recurse
  loose-routing         enabled
  send-media-session    enabled
  response-map
  ping-method
  ping-interval         0
  media-profiles
  in-translationid
  out-translationid
  trust-me              disabled
  request-uri-headers
  stop-recurse
  local-response-map
  ping-to-user-part

```



```
ping-from-user-part
li-trust-me                disabled
in-manipulationid
out-manipulationid
p-asserted-id
trunk-group
max-register-sustain-rate 0
```

## Session Agent Group Configuration

To configure session agent groups:

1. Access the **session-agent-group** configuration element.

```
ORACLE# configure terminal
ORACLE(configure)# session-router
ORACLE(session-router)# session-group
ORACLE(session-agent-group)#
```

2. **group-name**—Enter a unique name for the session agent group in Name format.
3. **description**—Optional. Enter descriptive information about the session agent group.
4. **state**—Enable or disable the session agent group on the Oracle® Enterprise Session Border Controller. The default value is **enabled**. Valid values are:
  - enabled | disabled
5. **application-protocol**—Indicate the signaling protocol you want to use with the session agent group. The default value is **SIP**. The valid values are:
  - SIP | H.323
6. **strategy**—Indicate the session agent allocation strategy you want to use. The strategy you chose selects the session agents that will be made available by this session agent group. The default value is **hunt**. The valid values are:
  - **hunt**—Selects session agents in the order in which they are listed. For example, if the first agent is online, working, and has not exceeded defined constraints, all traffic is sent to the first agent. If the first agent is offline or if it exceeds a defined constraint, the second agent is selected. If the first and second agents are offline or exceed defined constraints, the third agent is selected. And so on through the list of session agents.
  - **roundrobin**—Selects each session agent in the order in which they are listed in the destination list, selecting each agent in turn, one per session.
  - **leastbusy**—Selects the session agent that has the fewest number of sessions relative to the maximum sessions constraint (for example, lowest percent busy) of the session agent element. The Least Busy Calculation is the result of dividing the number of active calls for a session agent by the max-sessions parameter within the session-agent element configuration. If the default max-session parameter value issued for a session agent (0), the result of the Least Busy Calculation will be 0. The Least Busy SAG Strategy will route a session to the session agent with the lowest resulting Least Busy Calculation percentage. If multiple session agents have the lowest percentage, the foremost session agent in the Session Agent Group dest parameter will be used.

- **propdist**—Based on programmed, constrained session limits, the Proportional Distribution strategy proportionally distributes the traffic among all of the available session agents. Sessions are distributed among session agents based on the max-outbound-sessions value in each session agent. The sum of max-outbound-sessions for every session-agent within a session group equates to 100% and the max-outbound-sessions value for each session-agent represents a % that total. Sessions are proportionally allocated to session agents based on their individual session agent max-outbound-sessions value, as a % of the total max-outbound-sessions for the group.
  - **lowsusrate**—The Lowest Sustained Rate strategy routes to the session agent with the lowest sustained rate of session initiations/invitations (based on observed sustained session request rate).
7. **destination**—Identify the destinations (session agents) available for use by this session agent group.

A value you enter here must be a valid IP address or hostname for a configured session agent.
  8. **trunk-group**—Enter trunk group names and trunk group contexts to match in either IPTEL or custom format. If left blank, the Oracle® Enterprise Session Border Controller uses the trunk group in the realm for this session agent group. Multiple entries are surrounded in parentheses and separated from each other with spaces.

Entries for this list must one of the following formats: trgp:context or trgp.context.
  9. **sag-recursion**—Enable this parameter if you want to use SIP SAG recursion for this SAG. The default value is **disabled**. Valid values are:
    - enabled | disabled
  10. **stop-sag-recurse**—Enter the list of SIP response codes that terminate recursion within the SAG. Upon receiving one of the specified response codes, such as 401 unauthorized, or upon generating one of the specified response codes internally, such as 408 timeout, the Oracle® Enterprise Session Border Controller returns a final response to the UAC and stops trying to route the message. This includes not attempting to contact higher-cost SAs.

You can enter the response codes as a comma-separated list or as response code ranges.
  11. Type **done** to save your configuration.

## SAG Matching for LRT and ENUM

When this feature is enabled and a match is found, the Oracle® Enterprise Session Border Controller uses the matching SAG for routing. When there is no match for the SAG, the Oracle® Enterprise Session Border Controller processes the result as it would have if this feature had not been enabled: either matching to a session agent hostname, or performing a DNS query to resolve it.

Note that you set the state of this feature in the SIP configuration.

To configure a SAG for ENUM or LRT matching:

1. In Superuser mode, type **configure terminal** and press Enter.

```
ORACLE# configure terminal
```

2. Type **session-router** and press Enter to access the signaling-level configuration elements.

```
ORACLE(configure)# session-router
ORACLE(session-router)#
```

3. Type **sip-config** and press Enter. The system prompt changes to let you know that you can begin configuring individual parameters.

```
ORACLE(session-router)# sip-config
ORACLE(sip-config)#
```

If you are adding support for this feature to a pre-existing SIP configuration, then you must select (using the ACLI **select** command) that configuration to edit it.

4. **enum-sag-match**—Set this parameter to enabled so the Oracle® Enterprise Session Border Controller will match session agent group (SAG) names with the hostname portion in the naming authority pointer (NAPTR) from an ENUM query or LRT next-hop entry. The default value is **disabled**. The valid values are:
  - enabled | disabled
5. Save and activate your configuration.

## Configuring Local Policy

To configure local policy:

1. In Superuser mode, type **configure terminal** and press Enter.

```
ACMEPACKET# configure terminal
```

2. Type **session-router** and press Enter.

```
ACMEPACKET(configure)# session-router
```

3. Type **local-policy** and press Enter. The system prompt changes to let you know that you can begin configuring individual parameters.

```
ACMEPACKET(session-router)# local-policy
ACMEPACKET(local-policy)#
```

4. **from-address**—Indicate the originating address information by entering a From address value. You can use the asterisk (\*) as a wildcard to indicate this policy can be used with all originating addresses.

You can also use complete or partial E.164 addresses (strings that contain telephone keypad characters) here. Number matching works from left to right. Formats include the following:

- SIP From address
- FQDNs
- IP addresses
- H.323 CallingPartyAddress

The Oracle® Enterprise Session Border Controller also supports the asterisk as part of the From address you configure in your local policies.

This means that for the **from-address** parameters of a local policy configuration, you can enter values in which an asterisk appears and match them accordingly. You might enter a value that resemble the following example:

- 123\*456

 **Note:**

After entering the from-address value, the Oracle Communications Session Delivery Manager automatically saves it to the configuration when exiting from local policy.

5. **to-address**—Indicate the destination address by entering a To address value. You can use the asterisk (\*) as a wildcard to indicate all this policy can be used for any destination address.

You can also use E.164 addresses (strings that contain telephone keypad characters) here. Number matching works from left to right. Formats include the following:

- SIP Request-URI
- FQDNs
- IP addresses
- H.323 CalledPartyAddress

The system also supports the asterisk as part of the To address you configure in your local policies.

This means that for the **to-address** parameters of a local policy configuration, you can enter values in which an asterisk appears and match them accordingly. You might enter a value that resembles the following example:

- 123\*456

 **Note:**

After entering the to-address value, the Oracle Communications Session Delivery Manager automatically saves it to the configuration when exiting from local policy.

6. **source-realm**—Enter the realm, or list of realms, you want the Oracle® Enterprise Session Border Controller to use to determine how to route traffic. This list identifies from what realm traffic is coming and is used for routing by ingress realm by the local policy.

You can use the asterisk (\*) as a wildcard to indicate this local policy can be used with all realms. The default value is \*.Or you can enter a value that corresponds to the identifier of an already configured realm. Formats include the following:

- realm ID
- customer name

- peer name
  - subdomain name
  - VPN identifier
7. **activate-time**—Set the time you want the local policy to be activated using the following syntax:

```
yyyy:mm:dd hh:mm:ss  
yyyy:mm:dd-hh:mm:ss
```

8. **deactivate-time**—Set the time you want the local policy to be deactivated using the following syntax:

```
yyyy:mm:dd hh:mm:ss  
yyyy:mm:dd-hh:mm:ss
```

9. **state**—Indicate whether you want the local policy to be enabled or disabled on the system. The default value is **enabled**. The valid values are:

- enabled | disabled

10. **policy-attribute**—Configure local policy attributes by following steps 8 through 21.

11. **next-hop**—Identify the next signaling host by entering the next hop value. You can use the following as next hops:

- IPv4 address or IPv6 address of a specific endpoint
- Hostname or IPv4 address or IPv6 address of a configured session agent
- Group name of a configured session agent group

 **Note:**

The group name of a configured session agent group must be prefixed with SAG:

For example:

```
policy-attribute
```

```
next-hop SAG:appserver
```

```
policy-attribute
```

```
next-hop lrt:routetable
```

```
policy-attribute
```

```
next-hop enum:lrg
```

You can also configure a next hop that has an address of 0.0.0.0, thereby creating a null route. Different from not having a local policy configured (which would trigger Oracle® Enterprise Session Border Controller local policy recursion), this terminates local policy recursion and immediately fails the request. In these cases, the system responds a request with a 404 Not Found.

12. **realm**—Identify the egress realm (the realm used to reach the next hop) if the system must send requests out from a specific realm.

The value you enter here must correspond to a valid identifier you enter when you configured the realm. If you do not enter a value here, and the next hop is a session agent, the realm identified in the session agent configuration is used for egress. In H.323, the next hop address is matched against the realm's address prefix to determine the realm.

13. **replace-uri**—Indicate whether you want to replace the Request-URI in outgoing SIP requests with the next hop value.
14. **carrier**—Optional. Enter the name of the carrier associated with this route. The value you enter here must match one or more of the carrier names in the session agent configuration.

Entries in carrier fields can be from 1 to 24 characters in length and can consist of any alphabetical character (Aa-Zz), numerical character (0-9), or punctuation mark (! " # \$ % ^ & \* ( ) + - = < > ? ' | { } [ ] @ / \ ' ~ , . \_ : ; ) or any combination of alphabetical characters, numerical characters, or punctuation marks. For example, both 1-0288 and acme\_carrier are valid carrier field formats.

15. **start-time**—Indicate the time of day (from the exact minute specified) the local policy attributes go into effect. Enter only numerical characters (0-9) and follow the 4-digit military time format. For example:

1400

The default value of **0000** implies that the defined policy attributes can be considered in effect any time after 00:00:00. The valid range is:

- Minimum—0000
- Maximum—2400

16. **end-time**—Indicate the time of day (from the exact minute specified) the local policy attributes are no longer in effect. Enter only numerical characters (0-9) and follow the 4-digit military time format. For example:

2400

The default value of **2400** implies that the defined policy attributes can be considered in effect any time before midnight. The valid range is:

- Minimum—0000
- Maximum—2400

17. **days-of-week**—Enter any combination of days of the week (plus holidays) you want the local policy attributes to be in effect. You must enter at least one day or holiday here. A holiday entry must correspond with a configured holiday established in the Session Router.

The default is **U-S**. The valid values are:

- U (Sunday)
- M (Monday)
- T (Tuesday)
- W (Wednesday)
- R (Thursday)

- F (Friday)
- S (Saturday)
- H (Holiday)

You can enter a range of values separated by a hyphen, for example U-S. And you can enter multiple values separated by commas, for example M,W,F. You cannot use spaces as separators.

- 18. cost**—Enter a cost value that acts as a unitless representation of the cost of a route relative to other routes reaching the same destination (To address). This value is used as a way of ranking policy attributes.

The default value is zero (**0**). The valid values are:

- minimum—zero (0)
- maximum—999999999

- 19. app-protocol**—Enter the signaling protocol to use when sending messages to the next hop. The valid values are:

- H.323 | SIP

- 20. state**—Indicate whether you want to enable or disable the local policy. The default value is **enabled**. The valid values are:

- enabled | disabled

- 21. media-profiles**—Configure a list of media profiles if you want the local policy to route SIP and H.323 traffic by the codecs specified in the SDP. The list of media profiles entered here are matched against the SDP included in SIP or H.323 requests and the next hop is selected by codec.

The values in this list are matched against the `rtptime` attribute of passed SDP, and preference weight for route selection is based on the order in which the matching payload type appears in the SDP's media (`m=`) line.

For example when the following SDP arrives:

```
m=audio 1234 RTP/AVP 0 8 18
```

that contains the following attributes that correspond to three configured local policies with the same cost:

- `a=rtptime:0 PCMU/8000`
- `a=rtptime:8 PCMA/8000`
- `a=rtptime:18 G729/8000`

the following route selection action occurs:

The local policy route that corresponds to the `a=rtptime:0 PCMU/8000` attribute is selected because the payload type of **0** in the attribute line matches the first payload type of 0 listed in the `m=` line. The codec value of PCMU indicated in this selected attribute is used to find the local policy with the media profiles attribute that includes PCMU in the list.

Because the value you enter here is matched against the codec values included in the actual passed SDP, it must correspond to accepted industry-standard codec values.

The following example shows a local policy with a next hop value of the session agent group called gw-sag2.

```
local-policy
  from-address
  to-address
  source-realm
  activate-time
  deactivate-time
  state
  last-modified-date
policy-attribute
  next-hop
  realm
  replace-uri
  carrier
  start-time
  end-time
  days-of-week
  cost
  app-protocol
  state
  media-profiles
```

from-address	*
to-address	192.168.1.10
source-realm	*
activate-time	2005-01-20 20:30:00
deactivate-time	N/A
state	enabled
last-modified-date	2005-01-10 00:36:29
next-hop	SAG:gw-sag2
realm	
replace-uri	enabled
carrier	
start-time	0000
end-time	2400
days-of-week	U-S
cost	0
app-protocol	
state	enabled
media-profiles	

## Local Policy Matching for Parent Realms

For SIP and H.323, you can configure the Oracle® Enterprise Session Border Controller to use the parent realm for routing purposes even when the source realm for an incoming message is a child realm.

With this feature disabled (default), the Oracle® Enterprise Session Border Controller uses the specific source realm to perform a local policy look-up. When the source realm is a child realm and any relevant local policies are configured with the parent realm, there will be no matches and the local policy look-up will fail. To avoid this issue and ensure successful look-ups, you must configure multiple local policies if you want to use a configuration with nested realms.

The Oracle® Enterprise Session Border Controller examines the source realm to determine if it is a parent realm with any child realms when you enable this feature. If the parent, source realm does have child realms, then the Oracle® Enterprise Session Border Controller creates local policy entries for the parent and all of its child realms. This operation is transparent and can save time during the configuration process.

It is possible, then, for a local policy look-up to match the same child realm in two ways:

- Through a match via the parent realm
- Through a direct match for a local policy configured with that specific child realm

In such a case, the child realm must have different costs for each type of match to avoid collisions.

This feature is enabled on a global basis in the session router configuration. Because it applies system-wide, all source realms will use this form of matching when enabled.



To enable local policy matching for parent realms:

1. In Superuser mode, type **configure terminal** and press Enter.

```
ORACLE# configure terminal
```

2. Type **session-router** and press Enter to access the signaling-related configurations.

```
ORACLE(configure)# session-router
```

3. Type **session-router** and press Enter.

```
ORACLE(session-router)# session-router  
ORACLE(session-router-config)#
```

4. **match-lp-source-parent-realms**—If you want the Oracle® Enterprise Session Border Controller to perform local policy realm matching based on the parent realm (so that there are local policy entries for parent and child realms), set this parameter to **enabled**. The default value is **disabled**. The valid values are:

- enabled | disabled

```
ORACLE(session-router-config)# match-lp-src-parent-realms enabled
```

5. Save and activate your configuration.

## SIP Session Agent DNS-SRV Load Balancing

The Oracle® Enterprise Session Border Controller provides the ability to specify an FQDN (fully qualified domain name) for a destination session-agent. During DNS lookup the FQDN can resolve to multiple SRV (Resource Record for Servers) records. Each SRV can resolve to a single IP address via A-Record query.

The Oracle® Enterprise Session Border Controller also supports load balancing behavior as described in RFC 3263, Session Initiation Protocol (SIP): Locating SIP Servers.

The **ping-all-addresses** parameter in session-agent configuration mode enables internal load balancing and RFC 3263 compliance. The Oracle® Enterprise Session Border Controller monitors the availability of the dynamically resolved IP addresses obtained from DNS using OPTIONS pings (ping-per-DNS entry). The ping-method and ping-interval for each resolved IP address is copied from the original session-agent.

Status of Session-Agent:

In Service – if any of dynamically resolved IP addresses is in service

Out of service – if all dynamically resolved IP addresses is out of service.

The default of **ping-all-addresses** is disabled, in which case the Oracle® Enterprise Session Border Controller only pings the first available resolved IP addresses.

With status of each resolved IP addresses above, the Oracle® Enterprise Session Border Controller recurses through the list of these in-service IP addresses dynamically resolved from DNS server on 503 response, and stop recursion based upon a configured list of response values specified by the **stop-recurse** parameter in

sip-interface configuration mode. With internal load balancing enabled in the session-agent, the Oracle® Enterprise Session Border Controller provides the ability to select routing destinations based on SRV weights. The priority/weight algorithm is based on RFC 2782, *A DNS RR for specifying the location of services (DNS SRV)*.

The Oracle® Enterprise Session Border Controller provides the similar functionality as that listed above for A-records, the Oracle® Enterprise Session Border Controller selects the first available routing destinations because there is no priority/weight contained in A-records.

## Session Agent DNS-SRV Load Balancing Configuration

To configure the Oracle® Enterprise Session Border Controller to perform Session-Agent DNS-SRV load balancing:

1. From superuser mode, use the following command sequence to access sip-config configuration mode. While in this mode, you configure SAG-based address resolution.

```
ORACLE# configure terminal
ORACLE(configure)# session-router
ORACLE(session-router)# session-agent
ORACLE(session-agent)#
```

2. Use the **ping-all-addresses** parameter to enable Session-Agent DNS-SRV load balancing.
3. Use **done**, **exit**, and **verify-config** to complete Session-Agent DNS-SRV load balancing configuration.

The **show sip agents** CLI command displays the availability of dynamically resolved IP addresses

```
ORACLE# show sip agents acme.engr.com
21:46:05-51-router
Session Agent acme.engr.com(core) [In Service] NO ACTIVITY

... Statistics of ALL IPs associated with this SA ....

Destination: 192.168.200.235 In Service
Destination: 192.168.200.231 In Service
```

## Answer to Seizure Ratio-Based Routing

New SIP session agent constraints set a threshold for Answer to Seizure Ratio (ASR) has been implemented. ASR is considered when determining whether session agents are within their constraints to route calls (in addition to session and rate constraints).

The new session agent constraints indicate the minimum acceptable ASR value and computes the ASR while making routing decisions. ASR is calculated by taking the number of successfully answered calls and dividing by the total number of calls attempted (which are known as seizures).

If the ASR constraints are exceeded, the session agent goes out of service for a configurable period of time and all traffic is routed to a secondary route defined in the local policy (next hop with higher cost).

The two session agent constraints are:

- **minimum seizure:** determines if the session agent is within its constraints. When the first call is made to the session agent or the if calls to the session agent are not answered, the minimum seizure value is checked.  
For example, if 5 seizures have been made to the session agent and none of them have been answered, the sixth time, the session agent is marked as having exceeded its constraints and the calls will not be routed to it until the time-to-resume has elapsed.
- **minimum ASR:** considered when make routing decisions. If some or all of the calls to the session agent have been answered, the minimum ASR value is considered to make the routing decisions.  
For example, if the you set the minimum ASR at 50% and the session agent's ASR for the current window falls below 50%, the session agent is marked as having exceeded its constraints and calls will not be routed to it until the time-to-resume has elapsed.

## ASR Constraints Configuration

To configure ASR constraints:

1. In Superuser mode, type **configure terminal** and press Enter.

```
ORACLE# configure terminal
```

2. Type **session-router** and press Enter to access the system-level configuration elements.

```
ORACLE(configure)# session-router
```

3. Type **session-agent** and press Enter. The system prompt changes to let you know that you can begin configuring individual parameters.

```
ORACLE(session-router)# session-agent  
ORACLE(session-agent)#
```

4. If configuring an existing session agent, enter the select command to select the session agent.
5. **min-seizures**—Enter the minimum number of seizures that when exceeded, cause the session agent to be marked as having exceeded its constraints. Calls will not be routed to the session agent until the time-to-resume has elapsed. The default value is **5**. The valid range is:
  - Minimum—1
  - Maximum—999999999
6. **min-asr**—Enter the percentage you want as the minimum. If the session agent's ASR for the current window falls below this percentage, the session agent is marked as having exceeded its constraints and calls will not be routed to it until the time-to-resume has elapsed. The default value is **0**. The valid range is:

- Minimum—0
- Maximum—100

7. Save and activate your configuration.

The following example shows a session agent configuration.

```

session-agent
  hostname                192.168.1.6
  ip-address
  port                    1720
  state                   enabled
  app-protocol            H323
  app-type                H323-GW
  transport-method
  realm-id                external
  description
  carriers
  allow-next-hop-lp      enabled
  constraints             enabled
  max-sessions            0
max-inbound-sessions     4
  max-outbound-sessions  5
  max-burst-rate         0
  max-inbound-burst-rate 10
  max-outbound-burst-rate 1
  max-sustain-rate       0
  max-inbound-sustain-rate 0
  max-outbound-sustain-rate 0
min-seizures             5
  min-asr                 50
  time-to-resume          30
  ttr-no-response         0
  in-service-period       0
  burst-rate-window       0
  sustain-rate-window     0
  req-uri-carrier-mode    None
  proxy-mode
  redirect-action
  loose-routing           enabled
  send-media-session      enabled
  response-map
  ping-method
  ping-interval           0
  media-profiles
  in-translationid
  out-translationid
  trust-me                disabled
  request-uri-headers
  stop-recurse
  local-response-map
  ping-to-user-part
  ping-from-user-part
  li-trust-me             disabled
  in-manipulationid

```

```

out-manipulationid
p-asserted-id
trunk-group
max-register-sustain-rate      0
early-media-allow
invalidate-registrations        disabled
last-modified-date              2006-05-12 19:48:06

```

## Active Directory-based Call Routing

A large percentage of enterprises use call servers with Active Directory (Domain Controller) such as Media Servers, Exchange Servers, and Lync Servers. For enterprises that integrate these servers in parallel to their existing communications infrastructure, or transition from their legacy Private Branch Exchange (PBX) to these types of servers, Active Directory becomes a more efficient and cost-effective way of routing the incoming calls within the core enterprise network.

Clients using Microsoft servers such as a Lync Server deploy their own URI. Therefore, a user in a network with both a desk phone and a Lync client has an IP PBX extension/URI for the desk phone, and a different URI for the Lync client. Currently, all PSTN traffic is sent by default to a legacy PBX in the core network. If the PBX does not recognize the extension/URI, the PBX forwards it to the Lync client. Sending traffic to the PBX first and then to the Lync Server can be costly in terms of compute resources and licensing fees. Routing all incoming sessions from a SIP trunk to the Lync Server first and then to a PBX can be costly.


As a solution, the Oracle® Enterprise Session Border Controller (E-SBC) initiates a query to the Active Directory to initially determine the type of incoming call. The E-SBC then stores data used to facilitate the routing decision of the call (performed by Lightweight Directory Access Protocol (LDAP)) and routes the call the first time to the applicable destination (PBX or Lync Server).

In scenarios where a user has both a Lync phone and a legacy PBX phone, calls destined for the Lync phone number can be routed to the PBX phone number, or calls destined for the PBX phone number can be routed to the Lync phone number. The destination depends on the current E-SBC configuration. The E-SBC uses the information stored in the enterprise's Active Directory, compares it to the ESD configuration and then determines which phone number to utilize for the destined user.

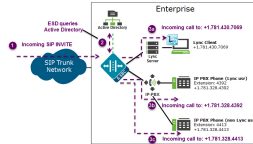
### Note:

The Active Directory-based call routing feature supports confidential and secure LDAP traffic support by using SSL/TLS (LDAPS).

Active Directory-based call routing is a feature of the E-SBC that facilitates the routing of incoming calls to the appropriate destinations within the Enterprise core network. The E-SBC LDAP query to the Active Directory yields whether or not the phone number is associated with a call Server or the PBX.

When the E-SBC receives an inbound SIP INVITE over a SIP Trunk (  ), it checks the current LDAP configuration in the E-SBC. Depending on this configuration, the E-SBC then accesses the Enterprise's Active Directory to search for the applicable

number being called via an LDAP query (2). When the query has found the number to forward the call, the E-SBC routes the call directly to the call server client (3a) or to the IP PBX phone (3b) and (3c) as shown in the illustration below.



The Enterprise is responsible for migrating phone numbers from the legacy PBX to the call server by making the necessary updates in their Active Directory in order for the E-SBC to route the call properly. In the illustration above, the IP PBX extension (4392) is the primary telephone number (+1.781.328.4392); a secondary transition number (+1.781.430.7069) is assigned to Lync.

## LDAP in the Oracle® Enterprise Session Border Controller

Lightweight Directory Access Protocol (LDAP) is the Protocol that the Oracle® Enterprise Session Border Controller uses to perform queries to the Enterprise's Active Directory to determine where to route incoming calls (to the call server or the IP PBX) in the Enterprise network. Session requests and responses are sent/received based on the Oracle® Enterprise Session Border Controller's LDAP routing configuration. LDAP determines the destination (call server user or non-call server user) and forwards the call accordingly.

The Oracle® Enterprise Session Border Controller, using LDAP, performs the following on an inbound call:

- Creates an LDAP search filter based on the dialed number and the configured LDAP attributes.
- Sends an LDAP search query to the configured LDAP Server.
- Creates a route list based on the query response received from the LDAP Server.
- Routes calls to both the call server and the IP PBX. The routing order is dependent on the LDAP attribute configuration and/or whether there was an exact match for the dialed phone number in the Enterprise's Active Directory for the call server or the IP-PBX.

### Note:

You configure LDAP Servers, filters, and local policy routing using the ACLI objects and attributes. For more information about configuring LDAP, see [Configuring LDAP](#).

The Oracle® Enterprise Session Border Controller keeps a permanent LDAP session open to all configured call servers. It sends an LDAP bind request on all established connections, to those servers. The first call server is considered the primary LDAP Server, and all others are secondary LDAP servers. If a query request sent to the primary server fails, the Oracle® Enterprise Session Border Controller sends the request to the next configured LDAP Server, until the request is successful in getting

a response. If no response is received by the Oracle® Enterprise Session Border Controller and the Oracle® Enterprise Session Border Controller cannot find another route successfully, (all Oracle® Enterprise Session Border Controller configured attributes have been exhausted (local policies, policy attributes, etc.)), it sends a busy to the caller.

LDAP performs call routing based on LDAP attributes configured on the Oracle® Enterprise Session Border Controller. The **route-mode** attribute setting determines how LDAP handles the called number when accessing the Enterprise's Active Directory. Routing modes can be set to any of the following:

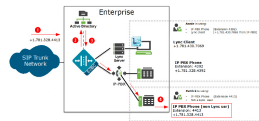
- Exact-match-only (default)
- Attribute-order-only
- Exact-match-first

The following paragraphs describe each of these route-modes.

### Exact-match-only

If the LDAP **route-mode** attribute is set to exact-match-only, the Oracle® Enterprise Session Border Controller performs as follows.

The Oracle® Enterprise Session Border Controller receives an incoming call to the Enterprise network. If the LDAP route-mode attribute on the Oracle® Enterprise Session Border Controller is set to exact-match-only, LDAP queries the Active Directory to find the number that matches exactly to the incoming number. If the number is found, the Oracle® Enterprise Session Border Controller forwards the call to the client's applicable phone in the Enterprise network.



Number	Description
①	Call comes into the Enterprise network (+1.781.328.4413)
②	Using the configured route-mode of exact-match-only, LDAP queries the exact matching number in the Enterprise's Active Directory.
③	The Active Directory finds the matching number and that number is included in the response to the LDAP query.
④	The Oracle® Enterprise Session Border Controller forwards the call to the destination phone number (same number as the number that initially called into the Enterprise in Step 1 (+1.781.328.4413)).

### Attribute-order-only

If the LDAP **route-mode** attribute is set to attribute-order-only, the Oracle® Enterprise Session Border Controller performs as follows.

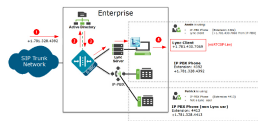
The order in which the LDAP attributes are configured on the Oracle® Enterprise Session Border Controller determines the priority of each route. If an incoming call is destined for the IP-PBX , but the attribute name for a Lync client is configured first, the

Oracle® Enterprise Session Border Controller uses the corresponding next hop (Lync Server) to create the first route in the route list.

An entry in an LDAP search response must have at least one attribute that it matches in the Active Directory.

For example, the incoming phone number could be +1.781.328.4392 (which matches the IP-PBX phone number), and the attribute name msRTCSIP-Line (Lync attribute) in the response could be +1.781.430.7069 (Lync phone number). A route is created for the Lync phone number, even though the incoming phone number matches the IP-PBX phone number, since the msRTCSIP-Line attribute was configured first. Therefore, the Oracle® Enterprise Session Border Controller forwards the call to the Lync destination.

Likewise, if an Enterprise uses the same phone number for both Lync and IP-PBX phones, and the attribute-name msRTCSIP-Line is configured first (a Lync attribute), the Oracle® Enterprise Session Border Controller uses the corresponding next hop (Lync Server) to create the first route in the route list.



Number	Description
①	Call comes into the Enterprise network (+1.781.328.4392)
②	Using the configured route-mode of attribute-order-only, LDAP queries the Active Directory for the matching number.
③	The Active Directory responds with the phone number associated with the first configured LDAP attribute (+1.781.430.7069). In the illustration above, the number was associated with a Lync Client (msRTCSIP-Line) that was configured first in the LDAP configuration.
④	The Oracle® Enterprise Session Border Controller forwards the call to the applicable destination phone number from the Active Directory response. (+1.781.430.7069).

If you configure the attribute name msRTCSIP-Line first, the Oracle® Enterprise Session Border Controller uses the corresponding next hop (Lync Server) to create the second highest priority route in the route list. For example, the dialed telephone number could be +1.781.328.4392 (IP-PBX phone number), and the attribute-name msRTCSIP-Line in the response could be +1.781.430.7069 (Lync phone number). A route is created for the Lync phone number, even though the dialed telephone number is the PBX phone number.

### Exact-match-first

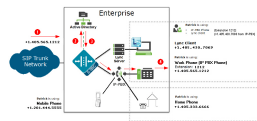
If the LDAP **route-mode** attribute is set to exact-match-first, the Oracle® Enterprise Session Border Controller performs as follows.

When the LDAP query is sent to the Active Directory, the first exact match of the incoming phone number that the LDAP query finds in the Directory, is the number



whose corresponding route gets the highest priority in the route list. For all other routes configured on the Oracle® Enterprise Session Border Controller, the ordering of LDAP attributes in the LDAP configuration determines the priority for each route.

For example, if the incoming number is +1.405.565.1212, and the Active Directory includes a configured mobile number first (+1.201.444.5555), a home number second (+1.405.333.6666), and a work number third(+1.405.565.1212), the LDAP query searches the mobile number first, then the home number, then finds the exact match on the work phone number. The Active Directory responds with the destination information for the work phone number and the Oracle® Enterprise Session Border Controller creates a route list with this exact phone number, and then forwards the call accordingly.



Number	Description
①	Call comes into the Enterprise network (+1.405.565.1212)
②	Using the configured route-mode of exact-match-first, LDAP queries the Active Directory for the matching number.
③	The LDAP query searches throughout the Active Directory until it finds the first exact match on the number. Active Directory responds with the exact phone number associated with the incoming number (+1.405.565.1212). In the illustration above, the number was associated with the work phone.
④	The Oracle® Enterprise Session Border Controller forwards the call to the applicable destination phone number from the Active Directory response. (+1.405.565.1212).

## LDAP Messages

When you enable LDAP message logging in the Active Directory, the Oracle® Enterprise Session Border Controller (E-SBC) sends LDAP messages to the sipldap.log. This log records all received and sent LDAP messages. Messages are in ASCII encoded binary format.

Additionally, when LDAP is invoked for routing, the LDAP messages display in the GUI under the Monitor and Trace tab. For more information about viewing LDAP messages in the GUI, see the *Web GUI User Guide*.

### Note:

The E-SBC also supports transmitting LDAP messages using the IPFIX Protocol for the Palladion Mediation Engine.

## LDAP Failure Events

If an incoming session to a primary phone number routed to Lync fails, the phone number is routed to the IP PBX. If failures occur during LDAP queries for all LDAP Servers, the Oracle® Enterprise Session Border Controller logs the failure to the sipddap.log, and proceeds with normal configured routing policies, if available.

### Note:

The Oracle® Enterprise Session Border Controller always establishes the TCP/TLS connection towards the configured LDAP server(s). If a TCP connection fails, the Oracle® Enterprise Session Border Controller continues to attempt to re-establish the connection.

An LDAP connection failure can be due to any one of the following events:

- Oracle® Enterprise Session Border Controller receives a CANCEL message (LDAP connection termination). The Oracle® Enterprise Session Border Controller detects this if it receives or issues an 'unbind' operation. The session is then closed down at TCP/TLS.
- Oracle® Enterprise Session Border Controller receives a call failure message from Lync (TCP/TLS socket termination). If either side receives a finish message (FIN) or reset message (RST), the TCP socket closes per standard behavior, which triggers the LDAP layer to detect connection failure. The Oracle® Enterprise Session Border Controller fails over to a secondary LDAP Server, if configured; otherwise it periodically attempts to reconnect to the Primary LDAP Server.
- Oracle® Enterprise Session Border Controller is unreachable and SIP session towards Lync times out. User is enabled for Lync but the Lync Server is unreachable by the Oracle® Enterprise Session Border Controller so a timeout occurs. When consecutive LDAP queries timeout, the Oracle® Enterprise Session Border Controller concludes that the LDAP session has failed, and then proceeds to terminate the TCP/TLS connection.

The number of consecutive queries that timeout before a connection is considered failed, and the number of successive query timeouts for each LDAP Server can be set via configuration.

## Oracle® Enterprise Session Border Controller Limitations using LDAP

The Oracle® Enterprise Session Border Controller uses LDAP in the Active Directory when determining the destination of incoming calls. However, the Oracle® Enterprise Session Border Controller has the following limitations when using LDAP:

- Supports LDAP sessions over the Oracle® Enterprise Session Border Controller media interfaces only (i.e., not on wancom0).
- Supports LDAPv3 only.
- Establishes a session over the following connections only:
  - LDAP over TCP - default
  - LDAP over TLS (LDAPS)

## Configuring LDAP

LDAP is the Protocol that the Active Directory uses for general interaction between and LDAP client and an LDAP server. You can configure the LDAP Server(s) in your network, and set the filters and the local policy that the LDAP Server uses when handling inbound Lync and PBX calls in the Enterprise core network.

You can use the following objects in the ACLI to configure LDAP.

Object	XML Tag	ACLI Path	Description
ldap-config	ldapConfig	session-router->ldap-config	Configures the LDAP functionality on the Oracle® Enterprise Session Border Controller (i.e., name, state, LDAP servers, realm, authentication mode, username, password, LDAP search filters, timeout limits, request timeouts, TCP keepalive, LDAP security type, LDAP TLS profile, and LDAP transactions). Note: This is a multiple-instance object.
ldap-transaction	ldapTransaction	session-router->ldap-config-> ldap-transaction	Configures the application transaction type for LDAP, determines route priority in the route list, and configures the LDAP configuration attributes. You configure this object for LDAP search queries in call routing. Note: This is a multiple-instance object.
ldap-cfg-attributes	ldapCfgAttributes	session-router->ldap-config-> ldap-cfg-attributes	Configures the Active Directory attribute name, next hop for routing SIP requests, the realm for the next hop, a regular expression pattern, and a format for the attribute value. You configure this object for LDAP search queries in the Active Directory. Note: This is a multiple-instance object.
policy-attributes	policyAttributes	session-router->local-policy-> policy-attributes	Configures the ldap: prefix with the name of the ldap-config. This allows the Oracle® Enterprise Session Border Controller to send LDAP queries to the Active Directory server(s) configured in the ldap-config element whenever there is a match for the corresponding local-policy. Note: An ldap-config with the LDAP name specified for this parameter must be configured for the next hop. An LDAP next hop is supported only for SIP to SIP calls. This is a multiple-instance object.

## Configuring ldap-config

You use the **ldap-config** object in the ACLI to create and enable an LDAP configuration on the ESD.

To configure ldap-config:

1. In Superuser mode, type **configure terminal** and press Enter.

```
ACMEPACKET# configure terminal
```

2. Type **session-router** and press Enter to access the session router-related objects.

```
ACMEPACKET(configure)# session-router  
ACMEPACKET(session-router)#
```

3. Type **ldap-config** and press Enter to access the LDAP configuration-related attributes.

```
ACMEPACKET(session-router)# ldap-config  
ACMEPACKET(ldap-config)#
```

- **name**—Enter a name to assign to this LDAP configuration. This is a unique identifier. Valid values are alpha-numeric characters. Default is blank.  
XML Tag: name

```
ACMEPACKET(ldap-config)# name ldapquery
```

- **state**—Specify whether or not to enable the operational state of the LDAP configuration. When the state is disabled, ESD does not attempt to establish any connection with the corresponding LDAP Server(s). Default is enabled. Valid values are:

- enabled (default)
- disabled

XML Tag: state

```
ACMEPACKET(ldap-config)# state enabled
```

- **ldap-servers**—Enter the IP address(es) and optionally the port number(s) for each LDAP Server(s) you want to add to the LDAP configuration. When more than one server is specified, each server address should be separated by a space and the list enclosed within parentheses. The first server listed is considered the primary LDAP Server, and the remaining servers are considered the secondary LDAP Servers. The HUNT strategy is used to determine the active LDAP Server (where the ESD selects the first LDAP Server; if unreachable, it selects the second LDAP Server; if that is unreachable, it selects the third LDAP Server, etc.). Default ports used are 389 (for LDAP over TCP) and 636 (LDAP over TLS). IP Address must be entered in dotted decimal format (0.0.0.0). Default is blank.  
XML Tag: ldapServers

```
ACMEPACKET(ldap-config)# ldap-servers (172.44.0.20:636  
172.44.0.21:389)
```

- **realm**—Enter the name of the realm that determines which network interface to issue an LDAP query. Valid values are alpha-numeric characters. Default is blank.

XML Tag: realm

```
ACMEPACKET(ldap-config)# realm net172
```

- **authentication-mode**—Specify the authentication mode to use in the LDAP bind request. Default is Simple. No specific password encryption is done when sending the bind request. You can use an LDAPS connection with the LDAP Server to maintain security (see ldap-sec-type).  
XML Tag: authType

```
ACMEPACKET(ldap-config)# authentication-mode Simple
```

- **username**—Enter the username that the LDAP bind request uses for authentication before access is granted to the LDAP Server. Valid values are alpha-numeric characters. Default is blank.  
XML Tag: username

```
ACMEPACKET(ldap-config)# username ENGLAB\Administrator
```

- **password**—Enter the password to be paired with the username attribute, that the LDAP bind request uses for authentication before access is granted to the LDAP Server. Valid values are alpha-numeric characters. Default is blank.  
XML Tag: password

```
ACMEPACKET(ldap-config)# password sips1234
```

- **ldap-search-base**—Enter the base Directory Number you can use for LDAP search requests. Valid values are alpha-numeric characters. Default is blank.  
XML Tag: ldapSearchBase

```
ACMEPACKET(ldap-config)# ldap-search-base  
CN=Users,DC=englab,DC=acmepacket,DC=com
```

- **timeout-limit**—Enter the maximum amount of time, in seconds, for which the ESD waits for LDAP requests from the LDAP server before timing out. When an LDAP response is not received from the LDAP server within the time specified, the request is retried again based on the max-request-timeouts parameter value. Valid values are 1 to 300 seconds. Default is 15.  
XML Tag: timeLimit

```
ACMEPACKET(ldap-config)# timeout-limit 0
```

- **max-request-timeouts**—Enter the maximum number of times that the LDAP Server is sent LDAP requests before the ESD determines that the server is unreachable and terminates the TCP/TLS connection. When an LDAP response is not received within the time specified for the timeout-limit parameter value, the request is retried the number of times specified for this max-request-timeouts value. Valid values are 0 to 10. Default is 3.  
XML Tag: maxReqTimeouts

```
ACMEPACKET(ldap-config)# max-request-timeouts 3
```

- **tcp-keepalive**—Specify whether or not the ESD keeps the TCP connection to the LDAP Server alive. Default is disabled. Valid values are:

- enabled
- disabled (default)

XML Tag: tcpKeepalive

```
ACMEPACKET(ldap-config)# tcp-keepalive enabled
```

- **ldap-sec-type**—Specify the LDAP security type to use when the ESD accesses the LDAP server. This parameter enables the use of LDAP over TLS (LDAPS). If you set a value for this parameter, you must also specify an ldap-tls-profile value. Default is none. Valid values are:

- none (default) - No LDAP security type specified.
- ldaps - Method of securing LDAP communication using an SSL tunnel. This is denoted in LDAP URLs. The default port for LDAP over SSL is 636.

XML Tag: ldapSecType

```
ACMEPACKET(ldap-config)# ldap-sec-type ldaps
```

- **ldap-tls-profile**—Enter the name of the Transport Layer Security (TLS) profile that the ESD uses when connecting to the LDAP Server. The ldap-sec-type must be set with an ldaps value for the LDAP configuration to use this profile. Valid values are alpha-numeric characters. Default is blank.

XML Tag: ldapTLSProfile

```
ACMEPACKET(ldap-config)# ldap-tls-profile ldap-tls
```

- **ldap-transactions**—Subelement to ldap-config. For more information on this element, see [Configuring ldap-transactions](#).

XML Tag: ldapTransaction

```
ACMEPACKET(ldap-config)# ldap-transactions
ACMEPACKET(ldap-transactions)#
```

XML Example for ldap-config

```
<ldapConfig name='ldapquery'
  state='enabled'
  ldapServers='172.44.0.20:636'
  realm='net172'
  authType='Simple'
  username='ENGLAB\Administrator'
  password='sips1234'
  ldapSearchBase='CN=Users,DC=englab,DC=acmepacket,DC=com'
  timeLimit='0'
  maxReqTimeouts='3'
  tcpKeepalive='enabled'
  ldapSecType='LDAPS'
  ldapTlsProfile='ldap-tls'
  lastModifiedBy='admin@console'
  lastModifiedDate='2012-06-28 20:25:13'
  objectId='102'>
```

```
        <key>ldapquery</key>
    </ldapConfig>
```

## Configure ldap-transactions

Use the **ldap-transactions** object in the ACLI to configure the application transaction type for Lightweight Directory Access Protocol (LDAP), to determine route priority in the route list, and to configure the LDAP configuration attributes for LDAP search queries in call routing.

1. Access the **ldap-config** configuration element.

```
ORACLE# configure terminal
ORACLE(configure)# session-router
ORACLE(session-router)# ldap-config
ORACLE(ldap-config)#
```

2. Type **ldap-transactions** , and press Enter to access the LDAP transactions-related attributes.

```
ACMEPACKET(ldap-config)# ldap-transactions
ACMEPACKET(ldap-transactions)#
```

3. **app-trans-type**—Specify the application transaction type to use for LDAP. This value allows the E-SBC to add call routing updates to the Active Directory. Default: ad-call-routing. Valid values:

- ad-call-routing (default)

```
ACMEPACKET(ldap-transactions)# app-trans-type ad-call-routing
```

4. **route-mode**—Specify the route priority that the E-SBC uses in the route list. This parameter determines which routes are created, and the priority of those routes within the route list. Default: exact-match-only. Valid values:

- **exact-match-only** (default) - When there is an exact match between the dialed telephone number and an LDAP attribute value in the search response entry, a route is created corresponding to that LDAP attribute. When there is an exact match on multiple attributes, the ordering of LDAP attributes in the LDAP configuration determines the priority for each route. For example, an enterprise that uses the same phone number for both Lync and IP-PBX phones, if the msRTCSIP-Line attribute is configured first, the corresponding next hop (Lync Server) would be used to create the first route in the route list.
- **attribute-order-only** - The ordering of LDAP attributes in the LDAP configuration determines the priority for each route. So if the msRTCSIP-Line attribute is configured first, the corresponding next hop (Lync Server) would be used to create the first route in the route list. If there is a valid value present in the search response entry for a LDAP attribute, a route is created corresponding to that LDAP attribute.

 **Note:**

The LDAP attribute must have a valid value in the response; a match is not necessary for that attribute. If an entry is returned in the search response, there must be a match on at least one other attribute. For example, the dialed telephone number could be +17813284392 (IP-PBX Phone#), and the msRTCSIP-Line in the response could be +17814307069 (Lync phone#). A route is created for the Lync phone#, even though the dialed telephone number is the PBX Phone#.

- **exact-match-first** - If there is an exact match between the dialed telephone number and an LDAP attribute value in the search response entry, the corresponding route gets the highest priority in the route list. For the rest of the routes, the ordering of LDAP attributes in the LDAP configuration determines the priority for each route. So if the msRTCSIP-Line attribute is configured first, the corresponding next hop (Lync Server) would be used to create the second highest priority route in the route list. If there is a valid value present in the search response entry for an LDAP attribute, a route is created corresponding to that LDAP attribute.

 **Note:**

The LDAP attribute must have a valid value in the response; a match is not necessary for that attribute. If an entry is returned in the search response, there must be a match on at least one other attribute. For example, the dialed telephone number could be +17813284392 (IP-PBX Phone#), and the msRTCSIP-Line in the response could be +17814307069 (Lync phone#). A route is created for the Lync phone#, even though the dialed telephone number is the PBX Phone#.

```
ACMEPACKET(ldap-transactions)# route-mode exact-match-only
```

5. **operation-type**—(Optional) When configuring an LDAP query with multiple attributes, use the "and" operator or the "or" operator for more granular condition-based call routing.
6. **ldap-cfg-attributes**—Subelement to ldap-config. For more information on this element, see [Configuring ldap-cfg-attributes](#).

```
ACMEPACKET(ldap-transactions)# ldap-cfg-attributes
ACMEPACKET(ldap-cfg-attributes)#
```

7. Save and activate the configuration.

## Configuring ldap-cfg-attributes

You use the **ldap-cfg-attributes** object in the ACLI to configure the Active Directory attribute name, next hop for routing SIP requests, the realm for the next hop, a regular expression pattern, and a format for the attribute value. You configure this object for LDAP search queries in the Active Directory.



To configure ldap-cfg-attributes:

1. In Superuser mode, type **configure terminal** and press Enter.

```
ACMEPACKET# configure terminal
```

2. Type **session-router** and press Enter to access the session router-related objects.

```
ACMEPACKET(configure)# session-router
ACMEPACKET(session-router)#
```

3. Type **ldap-config** and press Enter to access the LDAP configuration-related attributes.

```
ACMEPACKET(session-router)# ldap-config
ACMEPACKET(ldap-config)#
```

4. Type **ldap-transactions** and press Enter to access the LDAP transactions-related attributes.

```
ACMEPACKET(ldap-config)# ldap-transactions
ACMEPACKET(ldap-transactions)#
```

5. Type **ldap-cfg-attributes** and press Enter to access the LDAP configuration attributes.

```
ACMEPACKET(ldap-transactions)# ldap-cfg-attributes
ACMEPACKET(ldap-cfg-attributes)#
```

**attribute-name**—Enter the Active Directory attribute name. Default is blank. Valid values are alpha-numeric characters. Some examples of Active Directory attribute names are:

- **ipPhone** and **msRTCSIP-Line** for Lync phone number
- **telephoneNumber** for IP PBX phone number
- **mobile** for Mobile phone number

**XML Tag:** name

```
ACMEPACKET(ldap-cfg-attributes)# attribute-name msRTCSIP-Line
```

**next-hop**—Enter the Active Directory's next hop when routing SIP requests. Default is blank. Valid values are alpha-numeric characters. Some examples of the Active Directory's next hop are:

- **SAG (Session Agent Group) name, specified by entering an sag: prefix**
- SA (Session Agent) name
- IP Address

**XML Tag:** nextHop

```
ACMEPACKET(ldap-cfg-attributes)# next-hop sag:SA1
```

**realm**—Enter the name of the realm associated with the next hop. This value determines the network interface to which to route the SIP request. Valid values are alpha-numeric characters. Default is blank.

**XML Tag:** realm

```
ACMEPACKET(ldap-cfg-attributes)# realm net165
```

**extraction-regex**—Enter the regular expression pattern used to break down the string of digits in the phone number extracted from the request URI of the SIP request. The variables extracted from the phone number can be used in the attribute-value-format parameter. The default regex is "`^\+?1?(\d{2})(\d{3})(\d{4})$`". This value assumes that the phone number is a North American phone number specified in the E.164 format. It extracts three variables from the phone number:

- \$1 is the area code
- \$2 and \$3 are the next 3 and 4 digits in the phone number

Valid values are alpha-numeric characters.

**XML Tag:** extractionRegex

```
ACMEPACKET(ldap-cfg-attributes)# extraction-regex ^\+?1?(\d{2})
(\d{3})(\d{4})$
```

**attribute-value-format**—Enter the format for the attribute value. These format values are extracted from the phone number using the extraction-regex parameter. The default parameter is "`tel:+1$1$2$3`". This value assumes that the phone number is a North American phone number specified in the E.164 format, and it recreates the phone number in E.164 format.

In addition to the E.164 format, Acme Packet's Active Directory uses other formats as well to store the phone numbers. You can customize the value specified for this parameter to enable successful queries for phone numbers in other formats.

Valid values are alpha-numeric characters.

**XML Tag:** valueFormat

```
ACMEPACKET(ldap-cfg-attributes)# attribute-value-format tel:
+1$1$2$3
```

XML Example for ldap-cfg-attributes

```
<ldapCfgAttributes name='ldapquery'
  name='msRTCSIP-Line'
  nextHop='sag:SA1'
  realm='net1651'
  extractionRegex='^\+?1?(\d{2})(\d{3})(\d{4})$'
  attribute-value-format='tel:+1$1$2$3'
</ldapCfgAttributes>
```

## Configuring policy-attributes

You use the **policy-attributes** object in the ACLI to configure the ldap: prefix with the name of the ldap-config. This allows the ESD to send LDAP queries to the Active Directory server(s) configured in the ldap-config element whenever there is a match for the corresponding local-policy.

### Note:

An ldap-config with the LDAP name specified for this value must be configured for the next hop. An LDAP next hop is supported only for SIP to SIP calls.

To configure policy-attributes for LDAP:

1. In Superuser mode, type **configure terminal** and press Enter.

```
ACMEPACKET# configure terminal
```

2. Type **session-router** and press Enter to access the session router-related objects.

```
ACMEPACKET(configure)# session-router  
ACMEPACKET(session-router)#
```

3. Type **local-policy** and press Enter to access the local policy configuration-related attributes.

```
ACMEPACKET(session-router)# local-policy  
ACMEPACKET(local-policy)#
```

4. Type **policy-attributes** and press Enter to access the policy attributes configuration-related attributes.

```
ACMEPACKET(local-policy)# policy-attributes  
ACMEPACKET(local-attributes)#
```

**next-hop**—Enter the “**ldap:**” prefix along with the name of the ldap-config. An ldap-config with this name must be configured. An ldap next hop is supported only for SIP-to-SIP calls. Valid values are alpha-numeric characters. Default is blank.

**XML Tag:** nextHop

```
ACMEPACKET(ldap-cfg-attributes)# next-hop ldap:ldapquery
```

XML Example for policy-attributes for LDAP

```
<localPolicy description=''
  activateTime=''
  deactivateTime=''
  state='enabled'
  anonymousPriority='none'
```

```
lastModifiedBy='admin@10.1.20.147'  
lastModifiedDate='2012-07-12 20:10:30'  
objectId='85'>  
<from addr='*'>  
  type='Hostname'  
  addrPrefix='' />  
<to addr='*'>  
  type='Hostname'  
  addrPrefix='' />  
<sourceRealm name='net192' />  
<policyAttribute nextHop='ldap:ldapquery'  
  destRealm='net172'  
  action='none'  
  isTermRoute='disabled'  
  carrierName=''<br>  
  startTime='0000'  
  endTime='2400'  
  dow='U-S'  
  cost='0'  
  state='enabled'  
  appProtocol='SIP'  
  methods=''<br>  
  mediaProfiles=''<br>  
  lookup='single'  
  nextKey=''<br>  
  eLocStrLkup='disabled'  
  eLocStrMatch='' />  
<key>view_realm_from_to/net192/Hostname/Hostname</key>  
</localPolicy>
```

## LDAP Error Messages

The ESD displays error messages if the LDAP configuration objects are not properly configured. The following error messages for LDAP may display:

For all ldap-config objects:

- if an ldap-tls-profile is specified, and a tls-profile with that name has not been configured, the following error displays:  
ERROR: ldap-config [xyz] has reference to tls-profile [abc] which does not exist.
- if a realm has not been configured for an ldap-config, the following error displays:  
ERROR: ldap-config [xyz] has reference to realm [abc] which does not exist.

For all ldap-cfg-attributes:

- if a realm has not been configured for an ldap-config, the following error displays:  
ERROR: ldap-config [xyz] has reference to realm [abc] which does not exist.

For local policy-attributes:

- if the ldap-config object is configured corresponding to every ldap-config specified in the next-hop(s) in all policy-attribute subelements, and the next-hop value is not recognized, the following error displays:  
ERROR: local-policy-attribute [route; ldap:ldap-config-name] from local-policy [xyz] has reference to next-hop [ldap:ldap-config-name] which does not exist

- if the ldap-config object is not enabled, the following error displays:

```
ERROR: local-policy-attribute [route; ldap:ldap-config-name] from local-policy [xyz]
has reference to next-hop [ldap:ldap-config-name] which is not enabled
```

## LDAP Show Commands

The ESD provides specific LDAP statistics you can display using the show ldap command in the ACLI. The following is an example of the show ldap command output. These statistics include LDAP status information over Period and Lifetime monitoring spans, as well as information on active LDAP sessions. LDAP search query information displays for a Lifetime monitoring span only.

```
ACMEPACKET# show ldap
LDAP Status
Active High Total Total PerMax High
Client Trans 0 0 0 0 0 0
Server Trans 0 0 0 0 0 0
Sockets 1 1 0 1 1 1
Connections 0 0 0 0 0 0

----- Lifetime -----
Recent Total PerMax
Query 0 0 0
Modify 0 0 0
LDAP Requests 0 0 0
LDAP Errors 0 0 0
LDAP Rejects 0 0 0
LDAP Expires 0 0 0
LDAPD Errors 0 0 0
```

The following table describes each column in the above output.

Column Heading	Description
Client Trans	Total number of ESD LDAP transactions currently occurring and those that have occurred over the lifetime of the Active Directory.
Server Trans	Total number of LDAP Server transactions currently occurring and those that have occurred over the lifetime of the Active Directory.
Sockets	Total number of active and past sockets established from the Active Directory on the ESD to the LDAP Server.
Connections	Total number of active and past connections established from the Active Directory on the ESD to the LDAP Server.
Query	Total number of LDAP queries that occurred in the Active Directory on the ESD.
Modify	Total number of modified LDAP call routes in the Active Directory.
LDAP Requests	Total number of LDAP call route Requests in the Active Directory.
LDAP Errors	Total number of errors that occurred for LDAP call routes in the Active Directory.
LDAP Rejects	Total number of LDAP call routes that were rejected in the Active Directory.
LDAP Expires	Total number of times LDAP timed out or expired in the Active Directory.

---

Column Heading	Description
LDAPD Errors	Total number of errors that occurred for the LDAP Daemon (LDAPD) in the Active Directory.

---

## ENUM Lookup

Telephone Number Mapping (ENUM from TELEphone NUmber Mapping) is a suite of protocols used to unify the telephone system with the Internet by using E.164 addresses with the Domain Name System (DNS). With ENUM, an E.164 number can be expressed as a Fully Qualified Domain Name (FQDN) in a specific Internet infrastructure domain defined for this purpose (e164.arpa). E.164 numbers are globally unique, language independent identifiers for resources on Public Switched Telecommunication Networks (PSTNs). ITU-T recommendation E.164 is the international public telecommunication telephony numbering plan.

## How ENUM Works

ENUM uses DNS-based architecture and protocols for mapping a complete international telephone number (for example, +1 202 123 1234) to a series of Uniform Resource Identifiers (URIs).

The protocol itself is defined in the document E.164 number and DNS (RFC 3761) that provides facilities to resolve E.164 telephone numbers into other resources or services on the Internet. The syntax of Uniform Resource Identifiers (URIs) is defined in RFC 2396. ENUM uses Naming Authority Pointer (NAPTR) records defined in RFC 2915 in order to identify available ways or services for contacting a specific node identified through the E.164 number.

## Translating the Telephone Number

A telephone number is translated into an Internet address using the following steps:

1. The number is first stored in the following format, +1-202-555-1234. 1 is the country code for the United States, Canada, and the seventeen other countries that make up the North American Numbering Plan (NANP). The + indicates that the number is a complete, international E.164 telephone number.
2. All characters are removed except for the digits. For example, 12025551234.
3. The order of the digits is reversed. For example, 43215552021. The telephone number is reversed because DNS reads addresses from right to left, from the most significant to the least significant character. Dots are placed between each digit. Example: 4.3.2.1.5.5.5.2.0.2.1. In DNS terms, each digit becomes a zone. Authority can be delegated to any point within the number.
4. A domain (for example, e164.arpa) is appended to the end of the numbers in order to create a FQDN. For example, 4.3.2.1.5.5.5.2.0.2.1.e164.arpa.
5. The domain name is queried for the resource records that define URIs necessary to access SIP-based VoIP.

Once the authoritative name server for that domain name is found, ENUM retrieves relevant records and uses that data to complete the call or service. For example, the number 12025551234 returns sip.my.name@bigcompany.com.

## About NAPTR Records

ENUM uses NAPTR records for URI resource records. NAPTR records are used to translate E.164 addresses to SIP addresses. An example of a NAPTR record is:

```
$ORIGIN 4.3.2.1.5.5.5.2.0.2.1.e164.arpa.  
IN NAPTR 100 10 "u" "sip+E2U" "!^.*$!sip:phoneme@example.net!"
```

This example specifies that if you want to use the "sip+E2U" service, you should use sip:phoneme@example.net as the address.

The regular expression can be used by a telephone company to easily assign addresses to all of its clients. For example, if your number is +15554242, your SIP address is sip:4242@555telco.example.net; if your number is +15551234, your SIP address is sip:1234@555telco.example.net.

## About the Oracle® Enterprise Session Border Controller ENUM Functionality

The ENUM functionality lets the Oracle® Enterprise Session Border Controller make an ENUM query for a SIP request. The ENUM lookup capability lets the Oracle® Enterprise Session Border Controller transform E.164 numbers to URIs during the process of routing (or redirecting) a call. During the routing of a SIP call, the Oracle® Enterprise Session Border Controller uses a local policy attribute to determine if an ENUM query is required and if so which ENUM server(s) need to be queried. A successful ENUM query results in a URI that is used to continue routing or redirecting the call.

### Configurable Lookup Length

You can configure a lookup length in the ENUM configuration that provides for more efficient caching of URI lookup results; in it, you can specify the length of the string for the DNS request starting from the most significant digit. This provides more flexibility for length matching, which is useful given the amount of wild card matching available in ENUM services. Specific ENUM groups might only be intended to provide NPANXX or wild card results.

### UDP Datagram Support for DNS NAPTR Responses

The Oracle® Enterprise Session Border Controller's default behavior is to conform to the DNS standard defined in RFC 1035 Domain Names: Implementation and Specification, which sets a maximum size for UDP responses of 512 bytes. This limitation means that responses larger than 512 bytes are truncated (set with the TC, or truncation, bit). In addition, this limitation protects network and system resources because using TCP consumes an undesirable amount of both.

However, you can configure support ENUM queries that manage larger UDP DNS responses as set out in RFC 2671, Extension Mechanisms for DNS (EDNS0), enabling your Oracle® Enterprise Session Border Controller to manage responses beyond 512 bytes. According to RFC 2671, senders can advertise their capabilities using a new resource record (OPT pseudo-RR), which contains the UDP payload size the sender can receive. When you specify a maximum response size over 512 bytes,

then the Oracle® Enterprise Session Border Controller add the OPT pseudo-RR to the ENUM query—without which the ENUM server will truncate the response.

## Custom ENUM Service Type Support

You can configure the ENUM service type that you want to use for an ENUM group. The Oracle® Enterprise Session Border Controller has always supported E2U+sip and sip+E2U by default, and still does. With Release S-C6.1.0, however, you are also able to configure the service type to those supported in RFCs 2916 and 3721.

For example, you can now set the service type in the ENUM configuration to support E2U+sip and E2U+voicemsg:sip. When you configure customer ENUM service types on your system, however, you should note the following:

- New entries in the **service-type** parameter overwrite pre-existing values, including the default values.
- Because of the overwriting noted above, you must include the defaults (if you want them configured) when you are adding additional ENUM service type support. That is, you have to also type in E2U+sip and sip+E2U if you want them to be used in addition to the customized types you are setting.

## ENUM Failover and Query Distribution

### ENUM Query Distribution

The Oracle® Enterprise Session Border Controller can intelligently distribute ENUM queries among all configured ENUM servers. By setting the enum config's **query method** parameter to round robin, the Oracle® Enterprise Session Border Controller will cycle ENUM queries, sequentially, among all configured ENUM servers. For example, query 1 will be directed to server 1, query 2 will be directed to server 2, query 3 will be directed to server 3, and so on.

The default query method, hunt, directs all ENUM queries toward the first configured ENUM server. If the first server is unreachable, the Oracle® Enterprise Session Border Controller directs all ENUM queries toward the next configured ENUM server, and so on.

### Failover to New enum-config

When an enum-config's configured servers are unreachable via the network, i.e., no response is received on a query, the Oracle® Enterprise Session Border Controller can failover to a defined ENUM config that contains different enum servers to query. This failover behavior works when all servers in an enum config are unreachable, rather than when the Oracle® Enterprise Session Border Controller receives not-found type responses.

The Oracle® Enterprise Session Border Controller queries each ENUM server once before trying the next configured server, and then ultimately trying the servers listed in the **failover-to** enum config. If the failover-to servers also are unreachable, the Oracle® Enterprise Session Border Controller fails the call; the failover-to behavior does not recurse among enum-configs, it only checks the first, linked enum-config.



## ENUM Server Operation States

After 5 consecutive failed attempts, an ENUM server is considered Out of Service (OOS). All subsequent queries which would be directed to the OOS servers are immediately directed to the first non-OOS server. ENUM servers return to in-service after 600 seconds. If all configured ENUM servers are OOS, the Oracle® Enterprise Session Border Controller fails the call.

After the first failed attempt to reach an ENUM server, it is placed in a Time Out state, which it stays in for 30 seconds. Within this 30 seconds it will not be contacted when an ENUM query is made. After the 30 seconds pass, the ENUM server goes back to an in-service state.

## Server Availability Monitoring

The Oracle® Enterprise Session Border Controller can probe an ENUM server's health by sending it a standard ENUM NAPTR query and receiving a valid answer. The query is for the phone number defined in the **health query number** parameter, which should be one that the ENUM servers can positively resolve. As long as the query succeeds, that ENUM server maintains its in-service state and is available for ENUM queries. Any lack of response, whether network based (time-outs), or application based (DNS error or not found response) is considered a query failure and the server is set to OOS and unavailable for ENUM queries.

The Oracle® Enterprise Session Border Controller continuously checks the health of all configured ENUM servers to determine their current state and monitor for failed servers' return to service. All servers are checked for availability at the **health query interval** parameter, as defined in seconds.

 **Note:**

When ENUM server availability monitoring is enabled, ENUM servers can only exist in an in-service or out-of-service states; Without the health query interval defined, server availability monitoring is disabled, and ENUM servers exist in three service states.

## ENUM Server IP Address and Port

You can configure an IP address and port for each enum server listed in the enum-servers parameter. IP address and port are specified in XXX.XXX.XXX.XXX:YYYY format with a port value range of 1024-65535. If the port number is not specified, 53 is assumed.

The Oracle® Enterprise Session Border Controller supports IPv6 ENUM configurations in IPv6 realms. The enumservers parameter in the enum-config configuration parameter can be configured IPv6 addresses in addition to IPv4 addresses. When IPv6 Addresses are used, the realm configured in the realm-id parameter must be an IPv6 realm.

## Caching ENUM Responses

As DNS responses often lead to further DNS queries, a DNS server can send additional multiple records in a response to attempt to anticipate the need for additional queries. The Oracle® Enterprise Session Border Controller can locally cache additional NAPTR, SRV, and A records returned from an ENUM query to eliminate the need for unnecessary external DNS requests by enabling the **cache addl records** parameter. These cached records can then be accessed by internal ENUM and DNS agents.

The unprompted NAPTR, SRV, or A record returned to the Oracle® Enterprise Session Border Controller must include complete information to resolve a call to be added to the local DNS/ENUM cache, otherwise the Oracle® Enterprise Session Border Controller will perform an external query to find the address it is looking to resolve.

Cached entries are per ENUM config. That means if one ENUM config has a number of cached entries, and an ENUM request is directed through a different ENUM config, the second configuration is not privy to what the first configuration has cached.

The Oracle® Enterprise Session Border Controller uses the shorter lifetime of the DNS response's TTL or the server dns attribute's transaction-timeout to determine when to purge a DNS record from the local cache.

## Source URI Information in ENUM Requests

ENUM queries can be configured to include the source URI which caused the ENUM request by enabling the **include source info** parameter. The Oracle® Enterprise Session Border Controller can add the P-Asserted-ID URI (only if not in an INVITE) or the From URI into an OPT-RR Additional Record to be sent to the ENUM server. It can be useful to specify the originating SIP or TEL URI from a SIP request which triggered the ENUM query, so the ENUM server can provide a customized response based on the caller.

This feature implements the functionality described in the Internet Draft, DNS Extension for ENUM Source-URI, draft-kaplan-enum-source-uri-00.

When a P-Asserted-ID is blocked or removed before the ENUM query is made, the Oracle® Enterprise Session Border Controller only sends the URI in the From header.

Note that to support this feature, according to the Internet draft, ENUM clients must support 1220 bytes in UDP responses. Therefore, if this feature is enabled, and the max response size parameter is not set i.e., with a 512 byte default, the Oracle® Enterprise Session Border Controller will set the size to 1200 on the OPT-RR records sent.

## Operation Modes

There are four modes of ENUM operation that are selected on a global basis:

- stateless proxy
- transaction stateful proxy
- session stateful proxy
- B2BUA with or without media

## Stateless Proxy Mode

The stateless proxy mode is the most basic form of SIP operation. The stateless proxy mode:

- Has the least number of messages per call. No record route header is added and there are no 100 Trying or BYEs.
- Does not keep transaction state (timers and retransmission). There are no session counters and no session stop time. No session stop time means no RADIUS STOP records.
- Has no limits on session state.
- Can restrict functionality by specification. This can mean no media management, limited potential for RADIUS accounting, and no CALEA (no Release/BYE messages for CDC).
- Acts primarily as a routing device, with local policy routing and ENUM routing.

## Transaction Stateful Proxy

In the transaction stateful proxy mode:

- Adds state to the proxy (not dialogs).
- Has lower number of messages per call. No Record Route header added and no BYES.
- Keeps transaction state (timers and retransmissions).
- Enforces session restrictions (32k) because of state management. These restrictions can be increased.
- Can restrict functionality by specification. This can mean no media management, limited potential for RADIUS accounting, and no CALEA (no Release/BYE message for CDC).
- Acts as routing device with transaction timers, with local policy routing and ENUM routing.
- Can off-load some transactions across unreliable links.

## Session Stateful Proxy

The session stateful proxy mode:

- Maintains dialog state as a proxy.
- Includes BYES (though cannot be inserted)
- Keeps transaction state (timers and retransmission)
- Provides per-session information such as session counters per session agent, RADIUS STOP accounting record generation, CALEA CDC generation.
- Enforces session restrictions (32k) because of state management.
- Does not provide media management. There is no CALEA CCC.
- Routes full sessions with transaction timers with local policy routing and ENUM routing.

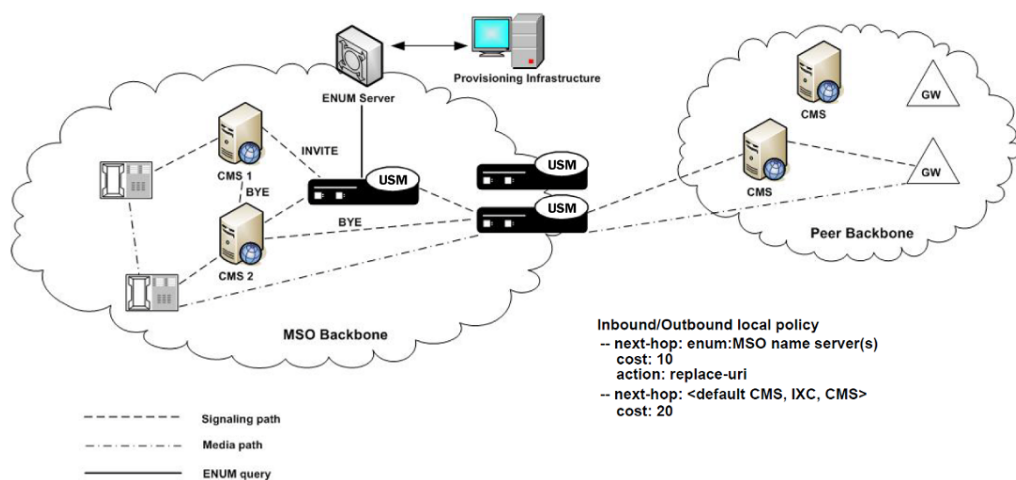
## B2BUA

The B2BUA mode:

- Acts as UAS and UAC within call flow.
- Includes BYES (can be inserted).
- Keeps transaction state (timers and retransmissions)
- Provides per-session information such as session counters per session agent, RADIUS STOP accounting record generation, CALEA CDC generation.
- Enforces session restrictions (32k) because of state management.
- Can provide media management, including media routing through a single IP address with topology masking, CALEA CCC, media watchdogs for state management.
- Routes full sessions with topology masking. Includes rewriting Via, Route, Contact headers, full NATing with SIP NAT or header manipulation, direct bridging, local policy routing, and ENUM routing.

## Example ENUM Stateless Proxy

The following diagram shows the Oracle® Enterprise Session Border Controller using ENUM to query a local subscriber database. The Oracle® Enterprise Session Border Controller serves as the inbound and outbound routing hub and performs media management. Calls are routed throughout the MSO network using ENUM lookup results.



## ENUM Configuration

This section shows you how to configure ENUM on your Oracle® Enterprise Session Border Controller.

To configure ENUM:

1. In Superuser mode, type **configure terminal** and press Enter.

```
ORACLE# configure terminal
```

2. Type **session-router** and press Enter to access the signaling-level configuration elements.

```
ORACLE(configure)# session-router  
ORACLE(session-router)#
```

3. Type **enum-config** and press Enter. The system prompt changes to let you know that you can begin configuring individual parameters.

```
ORACLE(session-router)# enum-config  
ORACLE(enum-config)#
```

4. **name**—Enter a string that uniquely identifies this ENUM configuration. You use this name in other areas of the Oracle® Enterprise Session Border Controller configuration to refer to this ENUM configuration. For example, in the local policy attributes.

5. **top-level-domain**—Enter the domain extension to be used when querying the ENUM servers for this configuration. For example, e164.arpa. The query name is a concatenation of the number and the domain.

For example the number is +17813334444 and the domain is e164.arpa, the query name would be 4.4.4.4.3.3.3.1.8.7.1.e164.arpa.com.

6. **realm-id**—Enter the realm where the ENUM servers can be reached. The realm ID is used to determine on which network interface to issue the ENUM query.
7. **enum-servers**—Enter the list of ENUM servers (an ENUM server and corresponding redundant servers) to be queried. Separate each server address with a space and enclose list within parentheses.

The first server on this list is the first one to be queried. If the query times out (including retransmissions) without getting a response, the next server on the list is queried and so on.

8. **service-type**—Enter the ENUM service types you want supported in this ENUM configuration. Possible entries are E2U+sip and sip+E2U (the default), and the types outlines in RFCs 2916 and 3721.

This parameter defaults to the following service types: E2U+sip and sip+E2U.

You can enter multiple services types in the same entry, as in this example:

```
ORACLE(enum-config)# service-type E2U+sip,sip+E2U,E2U+voicemail
```

9. **query-method**—Set the strategy the Oracle® Enterprise Session Border Controller uses to contact ENUM servers. Valid values are:

- **hunt**—Directs all ENUM queries toward the first configured ENUM server. If the first server is unreachable, the Oracle® Enterprise Session Border Controller directs all ENUM queries toward the next configured ENUM server, and so on.

- round-robin—Cycles all ENUM queries, sequentially, among all configured in-service ENUM servers. Query 1 will be directed to server 1, query 2 will be directed to server 2, query 3 will be directed to server 3.
10. **timeout**—Enter the total time in seconds that should elapse before a query sent to a server (and its retransmissions) will timeout. If the first query times out, the next server is queried and the same timeout is applied. This process continues until all the servers in the list have timed out or until one of the servers responds.

The retransmission of ENUM queries is controlled by three timers. These timers are derived from this timeout value and from underlying logic that the minimum allowed retransmission interval should be 250 milliseconds; and that the Oracle® Enterprise Session Border Controller should retransmit 3 times before timing out to give the server a chance to respond. The valid values are:

- **Init-timer**—Is the initial retransmission interval. If a response to a query is not received within this interval, the query is retransmitted. To safeguard from performance degradation, the minimum value allowed for this timer is 250 milliseconds.
- **Max-timer**—Is the maximum retransmission interval. The interval is doubled after every retransmission. If the resulting retransmission interval is greater than the value of max-timer, it is set to the max-timer value.
- **Expire-timer**—Is the query expiration timer. If a response is not received for a query and its retransmissions within this interval, the server will be considered non-responsive and the next server in the list will be tried.

The following examples show different timeout values and the corresponding timers derived from them.

**timeout >= 3 seconds**

```
Init-timer = Timeout/11
Max-Timer = 4 * Init-timer
Expire-Timer = Timeout
```

**timeout = 1 second**

```
Init-Timer = 250 ms
Max-Timer = 250 ms
Expire-Timer = 1 sec
```

**timeout = 2 seconds**

```
Init-Timer = 250 ms
Max-Timer = 650 ms
Expire-Timer = 2sec
```

11. **cache-inactivity-timer**—Enter the time interval in seconds after which you want cache entries created by ENUM requests deleted, if inactive for this interval. If the cache entry gets a hit, the timer restarts and the algorithm is continued until the cache entry reaches its actual time to live.

Setting this value to zero disables caching. For optimal performance, set this to one hour. Rarely used cache entries are purged and frequently used entries are retained. The default value is **3600**. The valid range is:

- Minimum—0
  - Maximum—999999999
12. **lookup-length**—Specify the length of the ENUM query, starting from the most significant digit. The default is **0**. The valid range is:
    - Minimum—1
    - Maximum—255
  13. **max-response-size**—Enter the maximum size in bytes for UDP datagrams in DNS NAPTR responses. This parameter takes values from 512 (default) to 65535. Although the maximum value you can set is 65535, Oracle recommends configuring values that do not exceed 4096 bytes.
  14. **health-query-number**—Set this parameter to a standard ENUM NAPTR query that will consistently return a positive response from the ENUM server.
  15. **health-query-interval**—Set this parameter to the number of seconds to perpetually probe ENUM servers for health.
  16. **failover-to**—Set this parameter to the name of another ENUM-config which to failover to under appropriate conditions.
  17. **cache-addl-records**—Set this parameter to **enabled** for the Oracle® Enterprise Session Border Controller to add additional records received in an ENUM query to the local DNS cache.
  18. **include-source-info**—Set this parameter to **enabled** for the Oracle® Enterprise Session Border Controller to send source URI information to the ENUM server with any ENUM queries.
  19. Save your work.

## Example

The following example shows an ENUM configuration called `enumconfig`.

```
enum-config
  name                enumconfig
  top-level-domain
  realm-id            public
  enum-servers        10.10.10.10:3456
                    10.10.10.11
  service-type        E2U+sip,sip+E2U
  query-method        hunt
  timeout             11
  cacheInactivityTimer 3600
  max-response-size   512
  health-query-number +17813245678
  health-query-interval 0
  failover-to         enumconfig2
  cache-addl-records  enabled
  include-source-info disabled
```

## Configuring the Local Policy Attribute

You can specify that an ENUM query needs to be done for the routing of SIP calls. You do so by configuring the local policy's next-hop attribute with the name of a specific ENUM configuration, prefixed with the enum: tag. For example: enum:test

You can configure multiple next-hops with different ENUM servers or server groups (possibly with different top-level-domains). If the first ENUM server group you enter as the next hop is not available, one of the others can be used.



### Note:

A new parameter called action has replaced the policy attribute's replace-uri parameter available prior to build 211p19.  
To configure local policy:

1. In Superuser mode, type **configure terminal** and press Enter.

```
ORACLE# configure terminal
```

2. Type **session-router** and press Enter.

```
ORACLE(configure)# session-router
```

3. Type **local-policy** and press Enter. The system prompt changes to let you know that you can begin configuring individual parameters.

```
ORACLE(session-router)# local-policy  
ORACLE(local-policy)#
```

4. **next-hop**—Enter the name of the ENUM configuration with the prefix enum:. For example, enum:test.
5. **action**—Set to **redirect** if you want to send a REDIRECT message back to the calling party with the information returned by ENUM in the Contact. The calling party then needs to send a REDIRECT using that information. The default value is **none**. Valid values are:
  - **none**—No specific actions requested.
  - **replace-uri**—To replace the next Request-URI with the next hop.
  - **redirect**—To send a redirect response with this next hop as contact.
6. Save and activate your configuration.

## Local Policy Example

The following example shows one local policy with the next-hop configured to use enum:test and a second with the next-hope configured to use enum:test\_alternate.

```
local-policy  
  from-address          *
```



```

to-address          *
source-realm       public
activate-time      N/A
deactivate-time    N/A
state              enabled
last-modified-date 2006-03-09 09:18:43
policy-attribute
  next-hop         enum:test
  realm            public
  action           none
  terminate-recursion disabled
  carrier
  start-time       0000
  end-time         2400
  days-of-week     U-S
  cost             1
  app-protocol     SIP
  state            enabled
media-profiles
policy-attribute
  next-hop         enum:test_alterate
  realm            public
  action           none
  terminate-recursion disabled
  carrier
  start-time       0000
  end-time         2400
  days-of-week     U-S
  cost             2
  app-protocol     SIP
  state            enabled

```

## CNAM Subtype Support for ENUM Queries

CNAM, calling name, data is a string up to 15 ASCII characters of information associated with a specific calling party name. The *Internet-draft, draft-ietf-enum-cnam-08.txt*, registers the Enumservice 'pstndata' and subtype 'cnam' using the URI scheme 'pstndata:' to specify the return of CNAM data in ENUM responses. The Oracle® Enterprise Session Border Controller recognizes CNAM data returned via this mechanism. CNAM data is then inserted into the display name of the From: header in the original Request. If a P-Asserted-ID header is present in the original request, the CNAM data is inserted there as well.

CNAM data is identified by an ENUM response with service-type: E2U+pstndata:cnam

CNAM support is configured in the sip profile configuration element, which can then be applied to either a session agent, realm, or SIP interface.

The Oracle® Enterprise Session Border Controller can preform CNAM queries on the signaling message's ingress or egress from the system by setting the cnam lookup direction parameter to either ingress or egress. If the CNAM lookup direction parameters are configured on both the ingress and egress sides of a call, the Oracle® Enterprise Session Border Controller will only preform the lookup on the ingress side of the call.

## CNAM Unavailable Response

A CNAM response can include a Calling Name Privacy Indicator parameter ('unavailable=p') or Calling Name Status Indicator parameter ('unavailable=u') in responses. The Oracle® Enterprise Session Border Controller can insert a custom reason string into the SIP message's From and P-Asserted-ID header in the original requires.

Configuring the **cnam unavailable ptype** parameter inserts the specified text into the From and P-Asserted-ID headers when a CNAM response contains the unavailable=p parameter.

Configuring the **cnam unavailable utype** parameter inserts the specified text into the From and P-Asserted-ID headers when a CNAM response contains the unavailable=u parameter.

## SIP Profile Inheritance

CNAM features, via the SIP Profile configuration element can be applied to session agents, realms, and SIP interfaces. The more generalized object inherits the more specific object's values. For example, if CNAM support via a SIP profile is configured on a session agent, the expected processing will override any SIP profile configuration on the downstream realm or SIP interface. Likewise, if CNAM support is unconfigured on the receiving session agent, but configured in the realm, CNAM configuration on the SIP interface will be ignored.

## CNAM Subtype Support Configuration

To enable the Oracle® Enterprise Session Border Controller to preform CNAM subtype ENUM queries, you must configure a SIP profile with an enum-config object (that points to valid ENUM servers). The referenced enum-config configuration element lists the servers to contact for CNAM type queries (and other general ENUM server interaction parameters).

To configure CNAM subtype support:

1. In Superuser mode, type **configure terminal** and press Enter.

```
ORACLE# configure terminal
```

2. Type **session-router** and press Enter to access the signaling-level configuration elements.

```
ORACLE(configure)# session-router  
ORACLE(session-router)#
```

3. Type **sip-profile** and press Enter. The system prompt changes to let you know that you can begin configuring individual parameters.

```
ORACLE(session-router)# sip-profile  
ORACLE(sip-profile)#
```

4. **name**—Enter a string that uniquely identifies this SIP profile configuration. You use this name in other areas of the Oracle® Enterprise Session Border Controller

configuration to refer to this SIP profile in session agents, realms, or SIP interfaces.

5. **cnam-lookup-server**—Set this parameter to the name of an ENUM-config to that will query ENUM servers for CNAM data.
6. **cnam-lookup-dir**—Set this parameter to **ingress** or **egress** to identify where the Oracle® Enterprise Session Border Controller performs a CNAM lookup with respect to where the call traverses the system. The default value is **egress**.
7. **cnam-unavailable-ptype**—Set this parameter to a string, no more than 15 characters, to indicate that the unavailable=p parameter was returned in a CNAM response.
8. **cnam-unavailable-utype**—Set this parameter to a string, no more than 15 characters, to indicate that the unavailable=u parameter was returned in a CNAM response.
9. Save your work.

## Direct Inward Dial (DID)-Range-Based Local Routing Table (LRT)

The Oracle® Enterprise Session Border Controller supports LRT, an XML document that contains either E164 telephone numbers or strings-to-SIP-URI mappings. An iLRT is configured and transferred from the development environment to the ESD / code/lrt directory. After installation and configuration, the LRT is available for SIP Request routing.

The information in the following sections is specific to contiguous ranges of Direct Inward Dial (DID) telephone numbers. Users of this LRT type should be acquainted with XML, and familiarize themselves with the more generic LRT descriptions supplied by the *SC6.4.0 CLI Configuration Guide*.

### Create a DID-Range-Based LRT File

A DID-Range-Based LRT file is a well-formed XML document with a <localRoutes/> root element.

The following attribute is found within the <localRoutes/> element.

**type** — This attribute is required for a DID-range-based LRT; set this attribute's value to range.

<localRoutes/> can contain any number of child <route/> elements.

Each <route/> element contains:

- a required <user/> element that (1) defines the LRT type, and (2) for a DID-range-based LRT, specifies a contiguous range of DID telephone numbers  
The <user/> element contains the following attributes:

**type** — This required attribute can be assigned one of three enumerated values (E164, string, or range); for a DID-range-based LRT, you must use the range value.

**rangeStart** — This required attribute specifies the start value for the DID range.

**rangeEnd** — This required attribute specifies the end value for the DID range.

rangePrefix — This optional attribute specifies the common prefix for the range bracketed by the rangeStart and rangeEnd attributes.

- a required <next/> element that uses regular expression syntax to specify the routing next hop
- an optional <description/> element that provides information relevant to the range of DID addresses

When creating the LRT file, keep the following rules in mind.

1. Set the type attribute of the <localRoutes/> root element to range.
2. Set the type attribute of all <user/> elements to range; <user/> elements of types other than range are invalid.
3. The start and end values of a range, must be valid E164 numbers.
4. The start and end values of a range, must contain the same number of digits.
5. The value of the rangeStart attribute must be less than, or equal to, the value of the rangeEnd attribute.
6. Ranges must not overlap. For example, the following ranges overlap.

1000 - 1050

1025 - 9999

These ranges do not overlap.

5510 -5519 (defines a contiguous range from 5510 through 5519)

55100 - 55199 (defines a contiguous range from 55510 through 55519)

7. After completing the LRT file, you must use SFTP to install the file in the ESD / code/lrt directory.

The following annotated XML sample provides a template to assist users in crafting their own LRT file.

```
<?xml version="1.0" encoding="US-ASCII" standalone="yes"?>

<!-- A Local Routing Table (LRT) file based on DID ranges -->

<localRoutes type="range"> <!-- set to range for DID LRT -->

<!-- At least one <route/> element is required -->

<!-- A one number range -->
  <route>
    <!-- <user/> element is required -->
      <user type="range" rangeEnd="5558888"
rangeStart="5558888"></user>
    <!-- <description/> element is optional -->
      <description>CampusSecurity</description>
    <!-- <next/> element is required -->
    <!-- the next hop for CampusSecurity expressed as a regex -->
      <next type="regex">!^.*$!sip:1@public-range!</next>
    </route>

<!-- A multi-number range matches 149 through 155 -->
  <route>
```

```

        <user type="range" rangeEnd="155" rangeStart="149"></user>
        <description>Quad 1</description>
<!-- the next hop for 149-to-155 expressed as a regex -->
        <next type="regex">!^.*$!sip:1@public-range!</next>
    </route>

<!-- A multi-number range with a prefix matches aib149-to-aib155 -->
    <route>
        <user type="range" rangePrefix="aib" rangeEnd="155"
            rangeStart="149"></user>
        <description>Quad 1</description>
<!-- the next hop for aib149-to-aib155 expressed as a regex -->
        <next type="regex">!^.*$!sip:1@public-range!</next>
    </route>
</localRoutes>

```

## Configuring a DID-Range-Based LRT

The following procedures provide information about configuring the LRT location and enabling LRT.

### Specifying the LRT Location

After moving the DID-range-based LRT to the /code/lrt directory on the ESD, use the following procedure to specify the file's location, and the lookup method.

1. Move to local-routing-config mode.

```

ACMEPACKET# configure terminal
ACMEPACKET(config)# session-router
ACMEPACKET(session-router)# local-routing-config
ACMEPACKET(local-routing-config)#

```

2. Provide an alias for the LRT file. Later, you will use this alias to assign the LRT to the local policy attributes.

```

ACMEPACKET(local-routing-config)# name WestCampus
ACMEPACKET(local-routing-config)#

```

3. Provide the name of the file that contains the XML-formatted LTR. This file must currently exist within the /code/lrt directory.

```

ACMEPACKET(local-routing-config)# file-name didLRT.xml.gz
ACMEPACKET(local-routing-config)#

```

4. Specify the look-up type. For DID-based LRTs, enable **string-lookup** to ensure that all ranges, including those with an alphabetic prefix (for example, test123), are properly evaluated.

```

ACMEPACKET(local-routing-config)# string-lookup enabled
ACMEPACKET(local-routing-config)#

```

5. Because the prefix-length (if any) is specified within the XML file, ensure that the **prefix-length** attribute is set to its default value, 0.

```
ACMEPACKET(local-routing-config)# prefix-length 0
ACMEPACKET(local-routing-config)#
```

6. Retain default values for other parameters.
7. Use **done**, **exit**, and **verify-config** to complete this configuration.

## Enabling LRT Usage

You enable LRT usage by assigning it to the local policy attributes.

### Note:

When enabling usage of a DID-range-based LRT, you need not specify a match-mode, as required for E164- or string-based LRTs. The match-mode parameter is ignored for DID LRTs.

1. Move to local-policy-attributes configuration mode.

```
ACMEPACKET# configure terminal
ACMEPACKET(config)# session-router
ACMEPACKET(session-router)# local-policy
ACMEPACKET(local-policy)# policy-attributes
ACMEPACKET(local-policy-attributes)#
```

2. Enable DID-based LRT usage by including the previously configured LRT alias in the local policy attributes list.

```
ACMEPACKET(local-routing-attributes)# next-hop lrt:WestCampus
ACMEPACKET(local-routing-attributes)#
```

3. To ensure string type lookups, verify that the **eloc-str-lookup** and **eloc-str-match** parameters are both enabled.

```
ACMEPACKET(local-routing-attributes)# eloc-str-lookup enabled
ACMEPACKET(local-routing-attributes)# eloc-str-match enabled
ACMEPACKET(local-routing-attributes)#
```

4. Use **done**, **exit**, and **verify-config** to complete this configuration.

## Managing LRT using the Show LRT Command

Existing CLI show commands (**show lrt** and **show lrt route-entry**) commands have been enhanced to support DID ranges. A new command (**show lrt route-table**) displays the contents of a DID-range-based LRT.

**show lrt** now provides a count of valid and invalid route ranges as shown below.

```
ESD01# show lrt
14:43:03-64183
Name: lroute
Local Route Statistics      ---- Lifetime ----
                             Recent      Total      PerMax
Queries                     0          0          0
Result - Success            0          0          0
Result - Not found          0          0          0

Valid Route Entries:        19
Invalid Route Entries:      0
Valid Route Ranges          15                // New to Version E-
C[xz]6.4.0
Invalid Route Ranges        3                // New to Version E-
C[xz]6.4.0
```

**show lrt route-entry** displays matching DID ranges as follows.

```
ESD01# show lrt route-entry lroute 323
UserName <320-329>
      Entry Type = range
      NextHop = !^.*$!sip:3@public-range!
      NextHop Type = regexp
      Description = Test DID range
```

**The new show lrt route-table** displays a DID-range-based table as follows.

```
ESD01# show lrt route-table la 2
UserName <320-329>
      Entry Type = range
      NextHop = !^.*$!sip:3@public-range!
      NextHop Type = regexp
      Description = Test DID range

UserName <3123 - 3125>
      Entry Type = range
      NextHop = !^.*$!sip:1@public-range!
      NextHop Type = regexp

Displaying 2 of 13 routes. Continue [y/n]?
```

## LRT Entry Matching

When searching an LRT for a matching route, the Oracle® Enterprise Session Border Controller can be configured with one of three match modes with the match mode parameter in the local routing config. These modes are:

- **exact**—When searching the applicable LRT, the search and table keys must be an exact match.
- **best**—The longest matching table key in the LRT is the chosen match.

- all—The all mode makes partial matches where the table's key value is a prefix of the lookup key. For example, a lookup in the following table with a key of 123456 returns entries 1, 3, and 4. The 'all' mode incurs a performance penalty because it performs multiple searches of the table with continually shortened lookup keys to find all matching entries. This mode also returns any exact matches too.

Entry#	Key	Result
1	1	<sip:\0@host1.example.com>
2	122	<sip:\0@host22.example.com>
3	123	<sip:\0@host3.example.com>
4	1234	<sip:\0@host4.example.com>
5	1234567	<sip:\0@host7.example.com>
6	1235	<sip:\0@host5.example.com>

## LRT Entry Matching Configuration

1. In Superuser mode, type **configure terminal** and press Enter.

```
ORACLE# configure terminal
```

2. Type **session-router** and press Enter.

```
ORACLE(configure)# session-router
```

3. Type **local-routing-config** and press Enter.

```
ORACLE(session-router)# local-routing-config  
ORACLE(local-routing-config)#
```

4. **match-mode**—Set this parameter to either **best**, **all**, or leave it as **exact** which is the default. This indicates to the Oracle® Enterprise Session Border Controller how to determine LRT lookup matches.
5. Save your work using the **done** command.

## LRT String Lookup

The Oracle® Enterprise Session Border Controller can search an LRT for either E.164 or string table keys. This selection is on a global basis. When the string-lookup parameter is **disabled** (default) in the local routing configuration, all lookups will be E.164 type, except when:

- If `eloc-str-lookup` is enabled in a matching local policy's policy-attribute, E-CSCF procedures are applied and the resulting lookup type is 'string'.
- The Oracle® Enterprise Session Border Controller also performs string lookups exclusively when a compound lookup key is specified.

When the lookup type is 'E.164', the lookup is skipped if the lookup key is not a valid telephone number (i.e. it must contain only digits).



## LRT String Lookup Configuration

1. In Superuser mode, type **configure terminal** and press Enter.

```
ORACLE# configure terminal
```

2. Type **session-router** and press Enter.

```
ORACLE(configure)# session-router
```

3. Type **local-routing-config** and press Enter.

```
ORACLE(session-router)# local-routing-config  
ORACLE(local-routing-config)#
```

4. **string-lookup**—Set this parameter to **enabled** for the Oracle® Enterprise Session Border Controller to perform LRT lookups on table keys of a string data type. Leave this parameter to its default as disabled to continue using E.164 type lookups.
5. Save your work using the **done** command.

## Directed Egress Realm from LRT ENUM

A message can be sent into a specific egress realm identified in an ENUM query or LRT lookup. The egress realm is noted by a configurable parameter in the result URI. The Oracle® Enterprise Session Border Controller is configured with the name of this parameter, that indicates an egress realm name, and looks for it in the returned URI.

To configure the parameter name, the egress-realm-param option is added to the sip config and/or the h323 config using the following format:

```
egress-realm-param=<name>
```

Where <name> is the parameter name to extract the egress realm name from.

When the egress realm param is defined, the ENUM and LRT results will always be checked for the presence of the URI parameter. The sip config options will apply for received SIP requests. The h323 config option will apply for received H.323 messages.

For example, if egress-realm-param=egress is added to the sip config, a matching entry in the LRT that specifies the egress realm core will look like this:

```
<route>  
<user type="E164">+17815551212</user>  
<next type="regex">!^.*$!sip:\0@core.example.com;egress=core!</next>  
</route>
```

If the URI does not contain the parameter or the parameter identifies a realm that is not configured on the system, the egress realm that is normally applicable (from local policy, SIP-NAT, or session-agent data) will be used.

## Directed Egress Realm Configuration

To add an egress parameter to look for in a sip-config:

1. In Superuser mode, type **configure terminal** and press Enter.

```
ORACLE# configure terminal
ORACLE(configure)#
```

2. Type **session-router** and press Enter.

```
ORACLE(configure)# session-router
ORACLE(session-router)#
```

3. Type **sip-config** and press Enter. If you are adding this feature to a pre-existing SIP configuration, you will need to select and edit it.

```
ORACLE(session-router)# sip-config
ORACLE(sip-config)#
```

4. **egress-realm-param**—Configure this option with the parameter to parse for in a returned ENUM or LRT result: For example

- **options egress-realm-param=egress**

In order to append the new option to the sip-config's options list, you must prepend the new option with a plus sign. For example:

```
ORACLE(sip-config)# options +egress-realm-param=egress
```

5. Save your work using the ACLI **done** command.

### Note:

The egress-realm-param option can be configured similarly in the h323-config.

## SIP Embedded Route Header

The Oracle® Enterprise Session Border Controller examines the ENUM and LRT lookup result for embedded Route headers. In the LRT or as returned in an ENUM query a URI including an embedded route header would look like:

```
<sip:user@example.com?Route=%3Csip:host.example.com;lr%3E>
```

Using embedded Route headers is the Oracle® Enterprise Session Border Controller's default behavior. This can be overridden by adding the sip-config option use-embedded-route.

When the ENUM or LRT result becomes the top Route header, any embedded Route headers extracted are inserted just after that top Route (which will always be a loose

route and include the "lr" URI parameter). In this case, the request will be sent to the top Route.

When the ENUM or LRT results become the Request-URI, any embedded Route headers extracted from the result are inserted before any Route headers already in the outgoing request. After that, if there are any Route headers in the outgoing request and the top Route header has an "lr" URI parameter, the request is sent to the top Route header. Otherwise, the request is sent to the Request URI.

## SIP Embedded Route Header Configuration

To set the Oracle® Enterprise Session Border Controller's default behavior of using embedded route headers from ENUM queries or LRT lookups:

1. In Superuser mode, type **configure terminal** and press Enter.

```
ORACLE# configure terminal  
ORACLE(configure)#
```

2. Type **session-router** and press Enter.

```
ORACLE(configure)# session-router  
ORACLE(session-router)#
```

3. Type **sip-config** and press Enter. If you are adding this feature to a pre-existing SIP configuration, you will need to select and edit it.

```
ORACLE(session-router)# sip-config  
ORACLE(sip-config)#
```

4. **use-embedded-route**—Configure this as an option with one of the following arguments:

- **all** = use embedded routes from both ENUM and LRT results (default)
- **none** = do not use embedded routes
- **enum** = use embedded routes from ENUM results only
- **lrt** = use embedded routes from LRT results only

In order to append the new option to the sip-config's options list, you must prepend the new option with a plus sign. For example:

Set the options parameter by typing **options**, a Space, the option name **use-embedded-route**, and then press Enter.

```
ORACLE(sip-config)# options +use-embedded-route=none
```

5. Save your work using the ACLI **done** command.

## LRT Lookup Key Creation

This section describes the Oracle® Enterprise Session Border Controller's LRT lookup key creation capability.

## Arbitrary LRT Lookup Key

In addition to the standard From, To, and P-Asserted-Identity header fields the Oracle® Enterprise Session Border Controller can now use the values from any arbitrary SIP header as an LRT or ENUM lookup key. This is preformed by prepending a dollar sign \$ by the header name whose value's userinfo portion of the URI will be used as the lookup key. For example, `key=$Refer-To` would use the userinfo portion of the URI in the Refer-To header of the request as the lookup key.

An ampersand & followed by a header name will use the whole value of the header as the lookup key. For example, `key=&X-Route-Key` would use the whole value of the X-Route-Key as the lookup key. As a shortcut, an ampersand is not required for a "hidden" header. For example, `"key=@LRT-Key"` would use the value of the @LRT-Key header as the lookup key.

## Hidden Headers for HMR and LRT lookup

When an LRT lookup key is more complex than just the URI's userinfo or a Tel-URI, HMR can be used to extract the data and build a special header.

By using a header name that begins with the at-sign "@" (e.g. @lrt-key), the header can be hidden and not included in outgoing SIP message, thus eliminating the need for an extra HMR rule to remove it.

Since '@' is not a valid character in a header name as defined by RFC 3261, there is no possibility of a collision between a header name defined in the future and a hidden header name beginning with @.

## Compound Key LRT Lookup

LRT lookup keys can be combinations of more than one key value. For example, `"key=$FROM,$TO"` would construct a compound key with the userinfo of the From URI followed by a comma followed by the userinfo of the To URI.

If the request message contained:

```
From: <sip:1234@example.com>  
To: <sip:5678@example.com>
```

The compound key to match this From/To pair is "1234,5678".

In the table lookup, the compound key is a single key value and there is no special treatment of the comma in key matching. The comma is simply an ordinary additional character that is matched like any letter or digit (i.e. the comma must appear in the LRT entry's "type" element data). For example, if the table were configured for "best" match-mode, the lookup key "1234,5678" would match a table entry of "1234,567", but it would not match a table entry of "123,5678".

## Retargeting LRT ENUM-based Requests

Request re-targeting is when a target or a request as indicated in the Request-URI, is replaced with a new URI.

This happens most commonly when the "home" proxy of the target user replaces the Request-URI with the registered contact of that user. For example, the original request is targeted at the Address-of-Record of bob (e.g. sip: bob@example.net). The "home" proxy for the domain of the original target, example.net, accesses the location service/registration database to determine the registered contact(s) for the user (e.g. sip:bob@192.168.0.10). This contact was retrieved in a REGISTER request from the user's UA. The incoming request is then re-targeted to the registered contact. When `retarget-requests` is **enabled**, or the original Request-URI is the Oracle® Enterprise Session Border Controller itself, the URI from the LRT lookup is used as the new Request-URI for the outgoing request.

When a request is routed rather than re-targeted, the Request-URI is not changed, but one or more Route headers may be inserted into the outgoing request. Sometimes a request which already contains Route headers will be routed without adding additional Route headers.

When the Oracle® Enterprise Session Border Controller routes requests and the original Request-URI was not the Oracle® Enterprise Session Border Controller itself, the URI from the LRT /ENUM lookup is added as the top Route: header including the "lr" parameter. The Request-URI then remains unchanged.

Whether the Oracle® Enterprise Session Border Controller re-targets or routes a request depends on the following:

- The target (Request-URI) of the received request
- The presence of Route headers
- Local Policy Attributes,
- Registration Cache matching.

If the original target is the Oracle® Enterprise Session Border Controller itself (i.e. the Request-URI contains the IP Address in the SIP interface the request was received on), the request is always re-targeted. When the original target is not the Oracle® Enterprise Session Border Controller and Local Policy is applied, the request will be re-targeted when the policy attribute action parameter is **replace-uri**. The request will also be re-targeted when the policy attribute specifies an ENUM or LRT lookup.

Retargeting requests can be configured in either the ENUM or LRT config depending on the request URI retrieval method chosen.

## Re-targeting LRT ENUM-based Requests Configuration

This section shows you how to configure the Oracle® Enterprise Session Border Controller to re-target/re-route request message when performing an LRT or an ENUM lookup.

To configure the Oracle® Enterprise Session Border Controller to re-target or route request messages when performing an LRT lookup:

1. In Superuser mode, type **configure terminal** and press Enter.

```
ORACLE# configure terminal
```

2. Type **session-router** and press Enter.

```
ORACLE(configure)# session-router
```

3. Type **local-routing-config** and press Enter.

```
ORACLE(session-router)# local-routing-config
ORACLE(local-routing-config)#
```

4. **retarget-requests**—Leave this parameter set to **enabled** for the Oracle® Enterprise Session Border Controller to replace the Request-URI in the outgoing request. Change this parameter to **disabled** for the Oracle® Enterprise Session Border Controller to route the request by looking to the Route header to determine where to send the message.

5. Save your work using the **done** command.

To configure the Oracle® Enterprise Session Border Controller to retarget or route request messages when performing an ENUM lookup:

6. In Superuser mode, type **configure terminal** and press Enter.

```
ORACLE# configure terminal
```

7. Type **session-router** and press Enter.

```
ORACLE(configure)# session-router
```

8. Type **local-routing-config** and press Enter.

```
ORACLE(session-router)# enum-config
ORACLE(enum-config)#
```

9. **retarget-requests**—Leave this parameter set to **enabled** for the Oracle® Enterprise Session Border Controller to replace the Request-URI in the outgoing request. Change this parameter to **disabled** for the Oracle® Enterprise Session Border Controller to route the request by looking to the Route header to determine where to send the message.

10. Save your work using the **done** command.

## Recursive ENUM Queries

If the Oracle® Enterprise Session Border Controller receives an A-record in response to an ENUM query, it will reperform that ENUM query to the server received in the A-record.

If the Oracle® Enterprise Session Border Controller receives an NS record in response to an ENUM query, it will resend the original ENUM query to the DNS server defined in the realm of the FQDN in the NS record. It will use the response to perform a subsequent ENUM query.

This behavior is configured by setting the **recursive query** parameter in the enum config to **enabled**.

## Recursive ENUM Queries Configuration

To configure the Oracle® Enterprise Session Border Controller to query a DNS server for a hostname returned in an ENUM lookup result:

1. In Superuser mode, type **configure terminal** and press Enter.

```
ORACLE# configure terminal
```

2. Type **session-router** and press Enter.

```
ORACLE(configure)# session-router
```

3. Type **local-routing-config** and press Enter.

```
ORACLE(session-router)# enum-config
```

```
ORACLE(enum-config)#
```

4. **recursive-query**—Set this parameter to **enabled** for the Oracle® Enterprise Session Border Controller to query a DNS server for a hostname returned in an ENUM result.
5. Save your work using the **done** command.

## Multistage Local Policy Routing

Multistage local policy routing enables the Oracle® Enterprise Session Border Controller to perform multiple stages of route lookups where the result from one stage is used as the lookup key for the next routing stage.

### Routing Stages

A routing stage signifies a re-evaluation of local policy based on the results of a local policy lookup. In the simplest, single stage case, the Oracle® Enterprise Session Border Controller performs a local policy lookup on a SIP message's Request URI. The result of that local policy lookup is a next hop FQDN, IP address, ENUM lookup, or LRT lookup; that result is where the Oracle® Enterprise Session Border Controller forwards the message. In the multistage routing model, that resultant next hop is used as the lookup key for a second local policy lookup.

The results of each stage do not erase the results of the previous stage. Thus, previous results are also possible routes to use for recursion, but the next stage results are tried first.

#### Note:

Setting a next hop to a SAG in a multistage scenario constitutes an error.

### Multi-stage Routing Source Realm

By default, the Oracle® Enterprise Session Border Controller uses the realm within which a message was received as the source realm through all stages of a multistage local policy routing lookup. You can change this by setting the **multi-stage-src-realm-override** parameter in the session router config to **enabled**. Enabling this setting causes the Oracle® Enterprise Session Border Controller to use the next-hop realm from the current local policy stage as the source realm for the next stage of the lookup.

This source realm selection process also repeats for each stage of a multistage routing scenario.

## Network Applications

The following are typical applications of multistage routing:

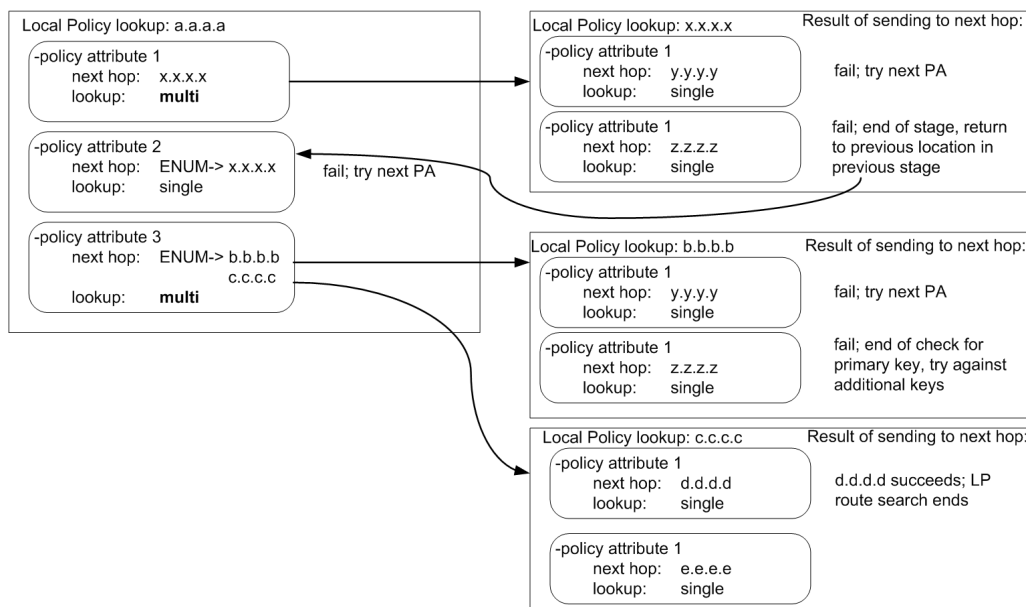
- An operator might need to query an ENUM server for a destination number. Based on the NAPTR result of the ENUM query, the Oracle® Enterprise Session Border Controller performs a local policy lookup to decide how to route the request, perhaps based on a LRT table lookup.
- An operator might need to query one ENUM server for a number portability lookup, then based on the routing number perform a second ENUM query to a different server to learn which carrier to use for the routing number. Then, then based on the identified carrier perform a LRT lookup for what next-hop(s) to use for that carrier.
- An operator might query an LRT table to confirm the allowed source number. Then, based on the result, query an ENUM server for destination routing.

## Multistage Routing Conceptual Example

Multistage routing is enabled by setting a policy attribute's lookup parameter to multi. Instead of replacing the SIP message's request URI with the policy attribute's next hop address or response from an ENUM or LRT lookup, the system uses that next hop or ENUM or LRT lookup response to reconstruct the SIP message. The reconstructed SIP message is fed again through all configured local policy configuration elements (and policy attribute sub elements). Each time the Oracle® Enterprise Session Border Controller re-evaluates a SIP message against local policies, it is considered an additional routing stage. When multiple records are returned from an ENUM or LRT lookup, the Oracle® Enterprise Session Border Controller evaluates the first response against all applicable local policies. If unsuccessful, the Oracle® Enterprise Session Border Controller evaluates all additional responses, in turn, against all applicable local policies.

For example:





## Multistage Routing Example 2

The following three local policy configuration elements are configured in the Oracle® Enterprise Session Border Controller:

### Local Policy 1

- from-address=\*
- to-address=159
- source-realm=private
- policy-attribute
  - next-hop=lrt:default-lrt
  - lookup=multi
- policy-attribute
  - next-hop=192.168.200.50
  - lookup=single

### Local Policy 2

- from-address=\*
- to-address=192.168.1.49
- source-realm=private
- policy-attribute
  - next-hop=lrt:carrier-lrt
  - lookup=multi
- policy-attribute
  - next-hop=lrt:emergency

- lookup=single

### Local Policy 3

- from-address=\*
- to-address=215680000002
- source-realm=private
- policy-attribute
  - next-hop=192.168.200.98
  - lookup=single
- policy-attribute
  - next-hop=192.168.200.97
  - lookup=single
- policy-attribute
  - next-hop=192.168.200.44
  - lookup=multi

```
<route>
  <user type="E164">159</user>
    <next type="regex">!^.*$!sip:11568000000@192.168.200.47!</next>
    <next type="regex">!^.*$!sip:215680000002@192.168.200.99!</next>
    <next type="regex">!^.*$!sip:11578000000@192.168.200.44!</next>
</route>
```

```
INVITE sip:159@192.168.1.49:5060 SIP/2.0
Via: SIP/2.0/UDP 192.168.1.48:5060
From: sipp <sip:sipp@192.168.1.48:5060>;tag=1
To:sut<sip:159@192.168.1.49:5060>
Call-ID: 1-4576@192.168.1.48
CSeq: 1 INVITE
Contact: sip:sipp@192.168.1.48:5060
Max-Forwards: 70
Subject: Performance Test
Content-Type: application/sdp
Content-Length: 135
```

The local route table in default-lrt appears as follows:

```
<route>
  <user type="E164">159</user>
    <next type="regex">!^.*$!sip:11568000000@192.168.200.47!
</next>
    <next type="regex">!^.*$!sip:215680000002@192.168.200.99!</next>
    <next type="regex">!^.*$!sip:11578000000@192.168.200.44!</next>
</route>
```

1. The Oracle® Enterprise Session Border Controller receives an INVITE on realm, private (SDP is omitted below):

```
INVITE sip:159@192.168.1.49:5060 SIP/2.0
Via: SIP/2.0/UDP 192.168.1.48:5060
From: sipp <sip:sipp@192.168.1.48:5060>;tag=1
To: sut <sip:159@192.168.1.49:5060>
Call-ID: 1-4576@192.168.1.48
CSeq: 1 INVITE
Contact: sip:sipp@192.168.1.48:5060
Max-Forwards: 70
Subject: Performance Test
Content-Type: application/sdp
Content-Length: 135
```

2. The Oracle® Enterprise Session Border Controller performs a local policy search based on the following parameters:

```
from-address:    sipp <sip:sipp@192.168.1.48:5060>;tag=1
to-address:      sip:159@192.168.1.49:5060
Source Realm:    private
```

3. The local policy search returns the four following routes to try:

```
lrt:default-lrt
192.168.200.50
lrt:emergency
lrt:carrier-lrt
```

The first next-hop route will be an LRT query. In addition, this policy attribute is configured with `lookup=multi`, meaning the results of the LRT query should be used for another local policy query, i.e., a second stage. More specifically, the request-uri that was received in response to the LRT query will be used as the to-uri in the next LP query.

The Oracle® Enterprise Session Border Controller performs the LRT lookup in the default-lrt configuration element and is returned the following:

```
sip:11568000000@192.168.200.47
sip:215680000002@192.168.200.99
sip:11578000000@192.168.200.44
```

The Oracle® Enterprise Session Border Controller attempts to use the results from the LRT query for the next stage Local Policy lookup(s). Beginning with the first route and continuing in sequential order, the Oracle® Enterprise Session Border Controller will try to route the outgoing INVITE message by performing additional Local Policy lookups on the remaining LRT query results, until the INVITE is successfully forwarded.

The Oracle® Enterprise Session Border Controller performs a local policy query on:

```
sip:11568000000@192.168.200.47
```

Which equates to a local policy lookup on:

```
from-URI=sipp <sip:sipp@192.168.1.48:5060>;  
to-URI=sip:11568000000@192.168.200.47  
Source Realm: private
```

The query fails because there is no Local Policy entry for 11568000000.

The Oracle® Enterprise Session Border Controller performs a second query on request-uri

```
sip:215680000002@192.168.200.99
```

Which equates to a local policy lookup on:

```
from-URI=sipp <sip:sipp@192.168.1.48:5060>;  
to-URI=sip:215680000002@192.168.200.99  
Source Realm: private
```

The LP query is successful and returns the following next- hops:

```
192.168.200.98  
    192.168.200.99  
192.168.200.44
```

The three routes shown above represent the next stage of the multistage routing for this INVITE. The policy attributes' lookup parameter is set to single for these next-hops. Therefore, the Oracle® Enterprise Session Border Controller will attempt to send the outgoing INVITE message to one or more of these next-hops; there are no more stages to check.

4. The Oracle® Enterprise Session Border Controller sends an INVITE to 192.168.200.98:

```
INVITE sip:215680000002@192.168.200.98;lr SIP/2.0  
Via: SIP/2.0/UDP 192.168.200.49:5060  
From: sipp <sip:sipp@192.168.1.48:5060>  
To: sut <sip:159@192.168.1.49:5060>  
Call-ID: SDnhae701-76e8c8b6e168958e385365657faab5cb-v3000i1  
CSeq: 1 INVITE  
Contact: <sip:sipp@192.168.200.49:5060;transport=udp>  
Max-Forwards: 69  
Subject: Performance Test  
Content-Type: application/sdp  
Content-Length: 140
```

5. If the INVITE is sent to 192.168.200.98 successfully, the local policy routing will conclude and the call will continue processing. Otherwise the Oracle® Enterprise Session Border Controller will try the other next hops until a route succeeds or all next-hops have been exhausted

## Customizing Lookup Keys

When the **next hop** parameter points to perform an ENUM or LRT lookup, it can be provisioned with a "key=" attribute in order to specify a parameter other than the username to perform the lookup on. The following table lists the header, key value, and corresponding syntax to configure the Oracle® Enterprise Session Border Controller with.

Username from Header:	Key Value	Example
To-URI	\$TO	key=\$TO
From-URI	\$FROM	key=\$FROM
P-Asserted-Identity	\$PAI	key=\$PAI

For a subsequent stage in multistage local policy routing, the lookup key to use for the next stage can be explicitly specified by configuring the **next key** parameter. By default, multistage lookups use the modified Request-URI returned from the ENUM/LRT response as the to-address key for the next local policy lookup. When the **next key** parameter is configured, its value will be used for the to-address key in the subsequent local policy lookup regardless if an ENUM or LRT lookup is configured for that policy attribute. The key syntax for this parameter is the same as with the Routing-based RN and CIC feature.

## Multistage Routing Lookup Termination

It is important for the Oracle® Enterprise Session Border Controller to have a mechanism to stop performing additional stages of route lookups and limit the number of attempts and results to be tried. Routing termination can be performed at in the non-multistage way or at the global session router level.

## Global Local Policy Termination

The Oracle® Enterprise Session Border Controller can be configured to limit local policy lookups based several aspects of the route lookup process:

- Limiting the number of stages per message lookup—The Oracle® Enterprise Session Border Controller can limit to the number of additional local policy lookup stages it will perform received message to a maximum of 5. This is configured with the **additional lp lookups** parameter. Leaving this parameter at its default value of 0 essentially disables multistaged local policy lookups.
- Limiting the number of routes per Local Policy lookup—The Oracle® Enterprise Session Border Controller can limit the number of route results to use as returned for each Local-Policy lookup. This is configured with the **max lp lookups routes per lookup** parameter. Leaving this parameter at its default value of 0 places no limit on the number of returned routes the Oracle® Enterprise Session Border Controller can try.
- Limiting the total number of routes for all local policy lookups per message request —The Oracle® Enterprise Session Border Controller can limit the number of route returned in total across all lookups for a given request, including additional stages. This is configured with the **total lp routes** parameter. Leaving this parameter at its default value of 0 places no limit on the number of returned routes the

Oracle® Enterprise Session Border Controller can try. This parameter overrides any configured options.

Additionally, the Oracle® Enterprise Session Border Controller monitors for local policy lookup loops which could cause a significant deterioration in performance. If a loop is found, the Oracle® Enterprise Session Border Controller stops trying the looping route list and proceeds to try any remaining routes..

## Multistage Local Policy Routing Configuration

To set up your local policy attributes for routing using the TO header:

1. In Superuser mode, type **configure terminal** and press Enter.

```
ORACLE# configure terminal
ORACLE(configure)#
```

2. Type **session-router** and press Enter.

```
ORACLE(configure)# session-router
ORACLE(session-router)#
```

3. Type **local-policy** and press Enter. If you are adding this feature to a pre-existing local policy configuration, you will need to select and edit a local policy.

```
ORACLE(session-router)# local-policy
ORACLE(local-policy)#
```

4. Type **policy-attributes** and press Enter. If you are adding this feature to a pre-existing local policy configuration, you will need to select and edit your local policy.

```
ORACLE(local-policy)# policy-attributes
ORACLE(local-policy-attributes)#
```

5. **next-hop**—This is the next signaling host and/or object to query. This parameter can be configured as an IP address, ENUM server, or LRT. You can also add a lookup key to an ENUM server or LRT lookup with the following syntax:

```
next-hop    enum:ENUM-object;key=$TO
```

6. **terminate-recursion**—Set this parameter to **enabled** to terminate local policy route recursion when the current stage completes.
7. **lookup**—Leave this parameter at the default **single** for single stage local policy routing or set it to **multi** to enable multistage local policy routing.
8. **next-key**—Set this parameter to \$TO, \$FROM, or \$PAI if you wish to override the recently-returned lookup key value for the next stage.
9. Save and activate your configuration.

## Maintenance and Troubleshooting

The **show sipd policy** command includes four additional counters that refer to single and multistage local policy lookups. All counters are reported for the recent period, and lifetime total and lifetime period maximum. These counters are:

- Local Policy Inits—Number of times the Oracle® Enterprise Session Border Controller makes an initial local policy lookup.
- Local Policy Results Max—Number of times the Oracle® Enterprise Session Border Controller truncated the number of routes returned for a local policy lookup because the maximum number of routes per local policy lookup (**max lp lookups routes per lookup**) threshold was reached.
- Local Policy Exceeded—Number of times the Oracle® Enterprise Session Border Controller truncated the number of routes returned for a local policy lookup because the maximum number of routes per message request (**total lp routes**) threshold was reached.
- Local Policy Loops—Number of times the Oracle® Enterprise Session Border Controller detected a loop while performing a multistage local policy lookup.

## Traps

An SNMP trap is generated to notify that the limit on the **additional lp lookups** threshold has been reached during the recent window period. This trap occurs a maximum of once during a window period.

```
apSysMgmtLPLookupExceededTrap NOTIFICATION-TYPE
    STATUS          current
    DESCRIPTION
        " The trap will be generated the first time the additional
        Local Policy Lookups limit is reached is in the recent window period.
        The trap will only occur once during a window period."
    ::= { apSystemManagementMonitors 65}
```

## Routing-based RN and CIC

When the Oracle® Enterprise Session Border Controller performs local policy routing, it selects local policy entries based on from addresses, to addresses, and source realms. All three are configurable in the local policy configuration. The to addresses can either be the username in a Request-URI (if it is an E.164/phone number format), or the request-URI's hostname or IP address. The Oracle® Enterprise Session Border Controller sorts matching local policies based on policy attribute entries. A policy attribute defines a next hop, which can be a session agent or a session agent group. Alternatively, the next hop might define an ENUM server group or local route table to use to find the next hop.

If the routing-based RN and CIC feature is not enabled, the Oracle® Enterprise Session Border Controller performs the subsequent ENUM query or local route table lookup using the Request-URI's username, if it is a telephone number (TN). The TN is the normalized user part of the Request-URI, ignoring any user parameters or non-digit characters.

If the routing-based RN and CIC feature is enabled, the Oracle® Enterprise Session Border Controller instead performs the ENUM or local route table lookup based on a user parameter, which is useful for lookups based on routing number (RN) or carrier identification code (CIC):

- An RN is a number that identifies terminating switch nodes in Number Portability scenarios when the original TN has been moved to the switch defined by the RN.

- A CIC is the globally unique number of the terminating carrier to which a ported number has been moved.

In applications where the Oracle® Enterprise Session Border Controller is given the RN or the CIC in the Request-URI, this feature is useful because the Oracle® Enterprise Session Border Controller can perform an additional ENUM or local route table lookup to find the next hop to the RN or the CIC. Typically, ENUM servers have imported Number Portability data with which to respond to the Oracle® Enterprise Session Border Controller query, and (for example) the Oracle® Enterprise Session Border Controller can use local route tables for storing CIC values for direct carrier hand-off.

Even with this feature enabled, the Oracle® Enterprise Session Border Controller still performs local policy match selection based on the TN. This feature only uses the RN or CIC user-parameter for the ENUM or local route table lookup after the local policy and policy attributes have been selected.

## Routing-based RN Configuration

This section shows you how to specify that a set of local policy attributes should use an RN for lookup. You can also set this value to CIC, or to any value you require.

You can set the lookup key to an RN in the local policy attributes' **next-hop** parameter.

To set the lookup key to RN:

1. In Superuser mode, type **configure terminal** and press Enter.

```
ORACLE# configure terminal
```

2. Type **session-router** and press Enter.

```
ORACLE(configure)# session-router
```

3. Type **local-policy** and press Enter.

```
ORACLE(session-router)# local-policy  
ORACLE(local-policy)#
```

4. Type **policy-attributes** and press Enter.

```
ORACLE(local-policy)# policy-attributes  
ORACLE(local-policy-attributes)#
```

5. **next-hop**—In the **next-hop** parameter—after the kind of ENUM service used—type a colon (;). Then, without spaces, type in **key=rn** and press Enter.

```
ORACLE(local-policy-attributes)# next-hop lrt:lookup;key=rn
```

6. Save and activate your configuration.

## Codec Policies for SIP

The Oracle® Enterprise Session Border Controller has the ability to add, strip, and reorder codecs for SIP sessions. This builds on the Oracle® Enterprise Session



Border Controller's pre-existing abilities to route by codec and reorder one codec in an SDP offer by allowing you to configure the order of multiple codecs and to remove specific codecs within the media descriptions in SDP offers.

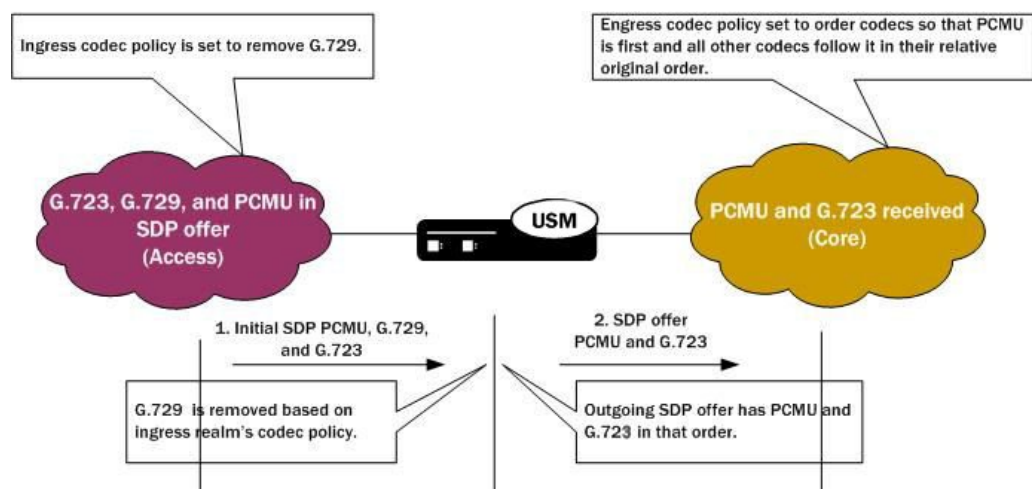
You can enable the Oracle® Enterprise Session Border Controller to perform these operations on SDP offers by configuring codec policies. Codec policies are sets of rules that specify the manipulations to be performed on SDP offers. They are applied on an ingress and egress basis using the realm and session agent configurations.

Oracle® Enterprise Session Border Controller supports three types of codec policies:

- Ingress policy—Codec policy that the Oracle® Enterprise Session Border Controller applies to the SDP offer for incoming traffic
- Egress policy—Codec policy that the Oracle® Enterprise Session Border Controller applies to the SDP offer for traffic leaving the Oracle® Enterprise Session Border Controller
- Conditional policy—Codec policy that the Oracle® Enterprise Session Border Controller applies to the SDP offer for traffic leaving the Oracle® Enterprise Session Border Controller. A conditional policy differs from an egress policy in providing the capability to perform standard codec manipulations (add and strip) dynamically, based on the codec list and associated parameters contained in the original SDP offer.

The Oracle® Enterprise Session Border Controller applies codec policies during the offer phase of media format negotiation. If codec manipulation is enabled, then the Oracle® Enterprise Session Border Controller performs the modification according to the specific policy and forwards on the traffic.

For example, when the Oracle® Enterprise Session Border Controller receives a SIP INVITE with SDP, it refers to the realm through which the INVITE arrived and performs any manipulations specified by an ingress codec policy that may have been assigned to the ingress realm. With the media description possibly changed according to the ingress codec policy, the Oracle® Enterprise Session Border Controller passes the SDP offer to the outgoing realm so that an egress codec policy can be applied. Note that the SDP to be evaluated by the egress codec policy may match the original SDP, or it may have been changed during transit through the ingress realm. After applying the egress coded policy, the Oracle® Enterprise Session Border Controller forwards the INVITE.



Since the offer-answer exchange can occur at different stages of SIP messaging, the assigned ingress and egress roles follow the media direction rather than the

signaling direction. It might be, for example, that the offer is in an OK that the Oracle® Enterprise Session Border Controller modifies.

You can apply codec policies to realms and to session agents; codec policies configured in session agents take precedence over those applied to realms. However, it is not required that there be both an ingress and an egress policy either for realms or for session agents. If either one is unspecified, then no modifications take place on that side. If neither ingress nor egress policies specified, SDP offers are forwarded as received.

## Relationship to Media Profiles

For each codec that you specify in a codec policy, there must be a corresponding media profile configuration on the Oracle® Enterprise Session Border Controller. You configure media profiles in the ACLI via the session-router path. In them, you can specify codec type, transport protocol, required bandwidth, and a number of constraints.

## Manipulation Modes

You can configure a codec policy to perform several different kinds of manipulations:

- **Allow**—List of codecs that are allowed for a certain codec policy; if a codec does not appear on this list, then the Oracle® Enterprise Session Border Controller removes it. You can wildcard this list with an asterisk (\*) so that all codecs are allowed. Further, you can create exceptions to a wildcarded allow list.
  - You make an exception to the wildcarded list of codecs by entering the codec(s) that are not allowed with a **no** attribute. This tells the Oracle® Enterprise Session Border Controller to allow all codecs except the one(s) you specify.

```
ACMEPACKET(codec-policy)# allow-codecs (* PCMA:no)
```

- You can also create exceptions to allow lists such that audio or video codecs are removed. However, when the allow list specifies the removal of all audio codecs and an INVITE arrives at the Oracle® Enterprise Session Border Controller with only audio codecs, the Oracle® Enterprise Session Border Controller behaves in accordance with RFC 3264. This means that the resulting SDP will contain one attribute line, with the media port for the media line set to 0. The terminating side will need to supply new SDP in its reply because the result of the manipulation is the same as an INVITE with no body.

```
ACMEPACKET(codec-policy)# allow-codecs (* audio:no)
```

- **Order**—List of the codecs where you specify their preferred order in the outgoing media offer. The Oracle® Enterprise Session Border Controller arranges matching codecs according to the rule you set, and any remaining ones are added to the list in the same relative order they took in the incoming media offer. If your list specifies a codec that is not present, then the ordering proceeds as specified but skips the missing codec.

You can use an asterisk (\*) as a wildcard in this list, too. The placement of the asterisk is key, as you can see in the following examples:

- For an order rule set this way

```
ACMEPACKET(codec-policy)# order (A B C *)
```

codecs A, B, and C will be placed at the front of the codec list in the order specified; all other codecs in the offer will follow A, B, and C in the same relative order they had in the original SDP offer.

- For an order rule set this way:

```
ACMEPACKET(codec-policy)# order (* A B C)
```

codecs A, B, and C will be placed at the end of the codec list in the order specified; all other codecs in the offer will come before A, B, and C in the same relative order they had in the original SDP offer.

- For an order rule set this way

```
ACMEPACKET(codec-policy)# order (A * B C)
```

codec A will be placed at the beginning of the codec list, to be followed by all other codecs in the offer in the same relative order they had in the original SDP offer, and then B and C will end the list.

- Force—An attribute you can use in the allow list with one codec to specify that all other codecs should be stripped from the outgoing offer. You can specify multiple forced codecs in your rules.
  - If you set multiple codecs in the allow list and one of them is forced, then the outgoing offer will contain the forced codec.
  - If you set multiple codecs in the allow list and the one that is forced is not present in the offer, then the Oracle® Enterprise Session Border Controller will select a non-forced codec for the outgoing offer.

```
ACMEPACKET(codec-policy)# allow (PCMU G729:force)
```

You cannot use the force attribute with a wildcarded allow list.

- No—An attribute that allows you to strip specified codecs or codec types from a wildcarded allow list.

```
ACMEPACKET(codec-policy)# allow (* PCMA:no)
```

## In-Realm Codec Manipulation

In addition to being able to apply codec policies in realms, the realm configuration supports a setting for determining whether codec manipulation should be applied to sessions between endpoints in the same realm.

In-realm codec manipulation can be used for simple call flows that traverse two realms. If the originating and terminating realms are the same, the Oracle® Enterprise Session Border Controller checks to see if you have enabled this capability. If you have enabled it, then the Oracle® Enterprise Session Border Controller performs the specified manipulations. If this capability is not enabled, or if the realm's media

management in realm (**mm-in-realm**) setting is disabled, then the Oracle® Enterprise Session Border Controller does not perform codec manipulations.

For more complex calls scenarios that involve call agent or reinitiation of a call back to the same realm, the Oracle® Enterprise Session Border Controller does not perform in-realm codec manipulation.

## Codec Policy Configuration

This section gives instructions and examples for how to configure codec policies and then apply them to realms and session agents. It also shows you how to configure settings for in-realm codec manipulation.

### Creating a Codec Policy

To create a codec policy:

1. In Superuser mode, type **configure terminal** and press Enter.

```
ACMEPACKET# configure terminal
```

2. Type **media-manager** and press Enter to access the signaling-related configurations.

```
ACMEPACKET(configure)# media-manager  
ACMEPACKET(media-manager)#
```

3. Type **codec-policy** and then press Enter.

```
ACMEPACKET(media-manager)# codec-policy  
ACMEPACKET(codec-policy)#
```

4. **name**—Enter the unique name for the codec policy. This is the value you will use to refer to this codec policy when you apply it to realms or session agents. This parameter is required and is empty by default.
5. **allow-codecs**—Enter the list of media format types (codecs) to allow for this codec policy. In your entries, you can use the asterisk (\*) as a wildcard, the force attribute, or the no attribute so that the allow list you enter directly reflects your configuration needs. Enclose entries of multiple values in parentheses ( ).

The codecs that you enter here must have corresponding media profile configurations.

6. **add-codecs-on-egress**—Enter the codecs that the Oracle® Enterprise Session Border Controller adds to an egress SDP offer if that codec is not already there. This parameter applies only to egress offers.

The codecs that you enter here must have corresponding media profile configurations.

**add-codecs-on-egress** can be used to construct ingress, egress, or conditional codec policies.

7. **order-codecs**—Enter the order in which you want codecs to appear in the outgoing SDP offer. Remember that you can use the asterisk (\*) as a wildcard in

different positions of the order to directly reflect your configuration needs. Enclose entries of multiple values in parentheses ( ( ) ).

The codecs that you enter here must have corresponding media profile configurations.

8. Save and activate your configuration.

Your codec policy configuration will resemble the following example:

```
codec-policy
  name          private
  allow-codecs  g723:no pcmu video:no
  order-codecs  pcmu
```

## Applying a Codec Policy to a Realm

Note that codec policies defined for session agents always take precedence over those defined for realms.

To apply a codec policy to a realm:

1. In Superuser mode, type **configure terminal** and press Enter.

```
ORACLE# configure terminal
```

2. Type **media-manager** and press Enter.

```
ORACLE(configure)# media-manager
```

3. Type **realm-config** and press Enter.

```
ORACLE(media-manager)# realm-config
```

If you are adding support for this feature to a pre-existing realm, then you must select (using the ACLI **select** command) the realm that you want to edit.

4. **codec-policy**—Enter the name of the codec policy that you want to apply to this realm. By default, this parameter is empty.
5. Save and activate your configuration.

## Applying a Codec Policy to a Session Agent

Note that codec policies that are defined for session agents always take precedence over those that are defined for realms.

To apply a codec policy to a realm:

1. In Superuser mode, type **configure terminal** and press Enter.

```
ORACLE# configure terminal
```

2. Type **session-router** and press Enter.

```
ORACLE(configure)# session-router
```

3. Type **session-agent** and press Enter.

```
ORACLE(session-router)# session-agent
```

If you are adding support for this feature to a pre-existing session agent, then you must select (using the ACLI **select** command) the realm that you want to edit.

4. **codec-policy**—Enter the name of the codec policy that you want to apply to this realm. By default, this parameter is empty.
5. Save and activate your configuration.

## In-Realm Codec Manipulations

To enable in-realm codec manipulations:

1. In Superuser mode, type **configure terminal** and press Enter.

```
ORACLE# configure terminal
```

2. Type **media-manager** and press Enter.

```
ORACLE(configure)# media-manager
```

3. Type **realm-config** and press Enter.

```
ORACLE(media-manager)# realm-config
```

If you are adding support for this feature to a pre-existing realm, then you must select (using the ACLI **select** command) the realm that you want to edit.

4. **codec-manip-in-realm**—Enter the name of the codec policy that you want to apply to this realm. The default value is **disabled**. The valid values are:
  - enabled | disabled
5. Save and activate your configuration.

## QoS Based Routing

In addition to configuring your system for routing based on certain session constraints, you can also set up routing based on QoS. QoS based routing uses the R-Factor on a per-realm basis to either cut back on the traffic allowed by a specific realm, or to shut that traffic off altogether.

To use this feature, you set up QoS constraints configurations and apply one per realm. The QoS constraints configuration allows you to set up two thresholds:

- **Major**—The major threshold sets the R-Factor limit beyond which the Oracle® Enterprise Session Border Controller rejects a certain percentage (that you configure) of calls. That is to say, it rejects inbound calls at the rate you set with a 503 Service Unavailable status code, and rejects outbound calls if there are no alternative routes.
- **Critical**—The critical threshold, when exceeded, causes the Oracle® Enterprise Session Border Controller to behave the same way it does when any of the

session constraints (set in the session-constraints configuration) are exceeded. All inbound calls to the realm are rejected with a 503 Service Unavailable status code, and (if there is no alternate route) outbound calls are rejected, too. Until the R-Factor falls within acceptable means and the session constraint's time-to-resume value has elapsed, the realm remains in this state.

## Management

This feature is supported by MIBs and traps. Historical data recording (HDR) also supports this feature by providing the following metrics in the session realm statistics collection group:

- Average QoS RFactor (0-93)
- Maximum QoS RFactor (0-93)
- Current QoS Major Exceeded
- Total QoS Major Exceeded
- Current QoS Critical Exceeded
- Total QoS Critical Exceeded

## QoS Constraints Configuration

This section shows you how to configure a QoS constraints configuration and then how to apply it to a realm.

### Configuring QoS Constraints

Your first step to enabling QoS based routing is to set up a QoS constraints configuration. This configuration is where you enter major and critical thresholds, as well as the load reduction for the realm should the R-Factor exceed the major threshold.

To set up a QoS constraints configuration:

1. In Superuser mode, type **configure terminal** and press Enter.

```
ORACLE# configure terminal
ORACLE(configure)#
```

2. Type **session-router** and press Enter.

```
ORACLE(configure)# session-router
ORACLE(session-router)#
```

3. Type **qos-constraints** and press Enter.

```
ORACLE(session-router)# qos-constraints
ORACLE(qos-constraints)#
```

4. **name**—Enter the name of this QoS constraints configuration. This parameter uniquely identifies the configuration, and you use this value when applying the configuration to a realm. This parameter has no default and is required.

5. **state**—Set the state of this QoS constraints configuration. The default is **enabled**, but you can set this parameter to **disabled** if you want to stop applying these constraints.
6. **major-rfactor**—Enter a numeric value between **0** (default) and **9321** to set the threshold that determines when the Oracle® Enterprise Session Border Controller applies the call reduction rate. If you leave this parameter set to **0**, then the Oracle® Enterprise Session Border Controller will not apply a major threshold for any realm where you apply this QoS constraints configuration.

Note that this value must be greater than that you set for the **critical-rfactor**, except when the **major-rfactor** is 0.

7. **critical-rfactor**—Enter a numeric value between **0** (default) and **9321** to set the threshold that determines when the Oracle® Enterprise Session Border Controller rejects all inbound calls for the realm, and rejects outbound calls when there is no alternate route. If you leave this parameter set to **0**, then the Oracle® Enterprise Session Border Controller will not apply a critical threshold for any realm where you apply this QoS constraints configuration.

Note that this value must be less than that you set for the **major-rfactor**, except when the **major-rfactor** is 0.

8. **call-load-reduction**—Enter a number from **0** (default) to **100** representing the percentage by which the Oracle® Enterprise Session Border Controller will reduce calls to the realm if the **major-rfactor** is exceeded. If you leave this parameter set to 0, then the Oracle® Enterprise Session Border Controller will not reduce call load for the realm—even when the major-rfactor is configured.

This is the percentage of inbound and outbound calls the Oracle® Enterprise Session Border Controller will reject. For example, if you set this parameter to 50 and the major threshold is exceeded, then the Oracle® Enterprise Session Border Controller rejects every other call to the realm.

9. Save and activate your configuration.

## Applying QoS Constraint to a Realm

You apply QoS constraints to realms using the **qos-constraint** parameter.

To apply a QoS constraint to a realm:

1. In Superuser mode, type **configure terminal** and press Enter.

```
ORACLE# configure terminal
ORACLE(configure)#
```

2. Type **media-manager** and press Enter

```
ORACLE(configure)# media-manager
ORACLE(media-manager)#
```

3. Type **realm-config** and press Enter. If you adding this feature to a pre-existing realm, then you need to select and edit that realm.

```
ORACLE(media-manager)# realm-config
ORACLE(realm-config)#
```



4. **qos-constraints**—Enter the name value from the QoS constraints configuration you want to apply to this realm.

Save and activate your configuration.

## Using the Local Route Table (LRT) for Routing

The LRT allows the Oracle® Enterprise Session Border Controller to determine next hops and map E.164 to SIP URIs locally for routing flexibility.

The LRT uses a local route cache that is populated by a local XML file on the Oracle® Enterprise Session Border Controller. Each local cache is populated from one defined XML file. For routing, the local route cache operates in a way similar to the ENUM model where a local policy next hop specifies the local route table that the Oracle® Enterprise Session Border Controller references. For example, you can configure one next hop to use one table, and another next hop to use a different table.

Similar to the ENUM model, the Oracle® Enterprise Session Border Controller typically performs a local route table lookup using the telephone number (TN) of the SIP Request-URI. This is the user portion of the URI, and the Oracle® Enterprise Session Border Controller ignores user parameters or non-digit characters. The local route table XML file defines the matching number and the resulting regular expression replacement value such as ENUM NAPTR entries do. The Oracle® Enterprise Session Border Controller uses the resulting regular expression to replace the Request-URI, and it uses the hostname or IP address portion to determine the next hop. If the hostname or IP address matches a configured session agent, the request is sent to that session agent. If the Oracle® Enterprise Session Border Controller does not find a matching session agent for the hostname/IP address, the Oracle® Enterprise Session Border Controller either performs a DNS query on the hostname to determine its IP address or sends the request directly to the IP address.

When the next hop is defined as a user-parameter lookup key, such as a routing number (RN) or carrier identification code (CIC), the defined key is used for the local route table lookup.

The Oracle® Enterprise Session Border Controller can attempt up to 10 next hops per LRT entry in the order in which they appear in the XML file. If the next hop is unsuccessful, the Oracle® Enterprise Session Border Controller tries the next hop on list. An unsuccessful hop may occur when an out-of-service session agent or the next hop responds with a failure response.

 **Note:**

Entering XML comments on the same line as LRT XML data is not supported.

The Oracle® Enterprise Session Border Controller can perform local route table lookups for SIP requests and communicate the results to the SIP task. The new task processes the new local routing configuration objects.

When a SIP call is routed, the Oracle® Enterprise Session Border Controller uses local policy attributes to determine if a local route table lookup is required. If a lookup is needed, the Oracle® Enterprise Session Border Controller selects the local routing

configuration to use. Successful local route table lookups result in URIs that can be used to continue routing and redirecting calls.

## Local Route Table (LRT) Performance

### Capabilities

- Loads approximately 500 LRT tables during boot time
- Loads 100,000 entries per LRT file
- Loads 2,000,000 LRT entries total per system

### Constraints

- You cannot configure the Oracle® Enterprise Session Border Controller with 500 LRT files each with 100,000 entries.
- Actual performance that affects the interaction among the three performance attributes varies with system memory and configuration.

## Local Routing Configuration

This section shows you how to:

- Set up local route configuration
- Specify that a set of local policy attributes needs to use local routing

## Configure Local Routing

The local routing configuration is an element in the ACLI `session-router` path, where you configure a name for the local route table, the filename of the database corresponding to this table, and the prefix length (significant digits/bits) to be used for lookup.

To configure local routing:

1. In Superuser mode, type **configure terminal**, and press Enter.

```
ORACLE# configure terminal
```

2. Type **session-router**, and press Enter.

```
ORACLE(configure)# session-router
```

3. Type **local-routing-config**, and press Enter.

```
ORACLE(session-router)# local-routing-config  
ORACLE(local-routing-config)#
```

4. **name**—Enter the name (a unique identifier) for the local route table; this name is used for reference in the local policy attributes when to specify that local routing should be used. There is no default for this parameter, and it is required.
5. **file-name**—Enter the name for the file from which the database corresponding to this local route table will be created. You should use the `.gz` format, and the file

should be placed in the `/code/lrt/` directory. There is no default for this parameter and it is required.

- 6. prefix-length**—Enter the number of significant digits/bits to used for lookup and cache storage. The default value is **0**. The valid range is:
  - Minimum—0
  - Maximum—999999999
- 7. Save and activate your configuration.**

The following example displays a typical local routing configuration.

```
local-routing-config
      name                lookup
      file-name           abc.xml.gz
      prefix-length       3
```

## Applying the Local Routing Configuration

Apply the local routing configuration by calling it to use in the local policy attributes. You do this by setting a flag in the **next-hop** parameter along with the name of the local routing configuration that you want to use.

To apply the local routing configuration:

- 1.** In Superuser mode, type **configure terminal**, and press Enter.

```
ORACLE# configure terminal
```

- 2.** Type **session-router**, and press Enter.

```
ORACLE(configure)# session-router
```

- 3.** Type **local-policy**, and press Enter.

```
ORACLE(session-router)# local-policy
ORACLE(local-policy)#
```

- 4.** Type **policy-attributes**, and press Enter.

```
ORACLE(local-policy)# policy-attributes
ORACLE(local-policy-attributes)#
```

- 5. next-hop**—In the **next-hop** parameter, type in **lrt:** followed directly by the name of the local routing configuration to be used. The **lrt:** tag tells the Oracle® Enterprise Session Border Controller that a local route table will be used.

```
ACMEPACKET(local-policy-attributes)# next-hop lrt:lookup
```

- 6.** Save and activate the configuration.

## Local Route Table Support for H.323 and IWF

Local Route Table (LRT) support for H.323 and IWF is compatible with that currently offered for SIP. LRT and ENUM provide the Oracle® Enterprise Session Border Controller with the ability to perform routing based on ENUM queries to a DNS server or local to an onboard database.

For the LRT feature, this means that entries in the local routing table now include those prefixed with the h323: URI scheme, indicating that H.323 is the next hop protocol.

## IWF Considerations

When the system performs a local policy lookup for an incoming SIP or H.323 call and determines an ENUM/LRT server is the next hop, it queries that ENUM/LRT server. The response will include the URI scheme, indicating the next hop protocol and the hostname/IP address representing the next hop. For cases where the incoming call signaling protocol and the URI scheme of the ENUM/LRT response are the same, the call requires no interworking. The Oracle® Enterprise Session Border Controller can simply route the egress call leg to the specified next hop.

Interworking is required when the incoming signaling protocol and the URI scheme of the ENUM/LRT response do not match. When the responses do not match, the Oracle® Enterprise Session Border Controller interworks between SIP and H.323 to route the call to the appropriate next hop.

The Oracle® Enterprise Session Border Controller also compares the URI scheme returned in the ENUM/LRT response to the application protocol specified in the policy attributes. If the URI scheme is SIP, but the policy attributes indicate H.323, the route is deemed invalid. The same is true for an H.323 URI scheme and SIP route.

## ENUM LRT Responses

No special configuration is required for LRT to work for H.323 and IWF calls. You can configure the system to match ENUM/LRT responses against session agent groups, and then use those SAGs for routing.

To enable matching ENUM/LRT responses for H.323 SAG routing:

1. In Superuser mode, type **configure terminal**, and press Enter.

```
ORACLE# configure terminal  
ORACLE(configure)#
```

2. Type **session-router**, and press Enter.

```
ORACLE(configure)# session-router  
ORACLE(session-router)#
```

3. Type **h323-config**, and press Enter.

```
ORACLE(session-router)# h323-config  
ORACLE(h323-config)#
```

4. **enum-sag-match**—Set this parameter to enabled if you want the Oracle® Enterprise Session Border Controller to perform matching against the hostnames in ENUM/LRT lookup responses and session agent groups. If there is a match, the Oracle® Enterprise Session Border Controller uses the matching SAG for routing. If no match is found, normal ENUM/LRT routing proceeds.

# 9

## Number Translation

### About Number Translation

Oracle® Enterprise Session Border Controller number translation is used to change a layer-5 endpoint name according to prescribed rules. Number translations can be performed on both the inbound and the outbound call legs independently, before and after routing occurs. Number translation is used for SIP, H.323, and SIP/H.323 interworking configurations.

Number translation takes place twice for both H.323 and SIP calls. The first number translation is applied to the incoming leg of the call, before the outgoing route is selected. The second number translation is applied to the outgoing leg of the call after the outgoing route is selected.

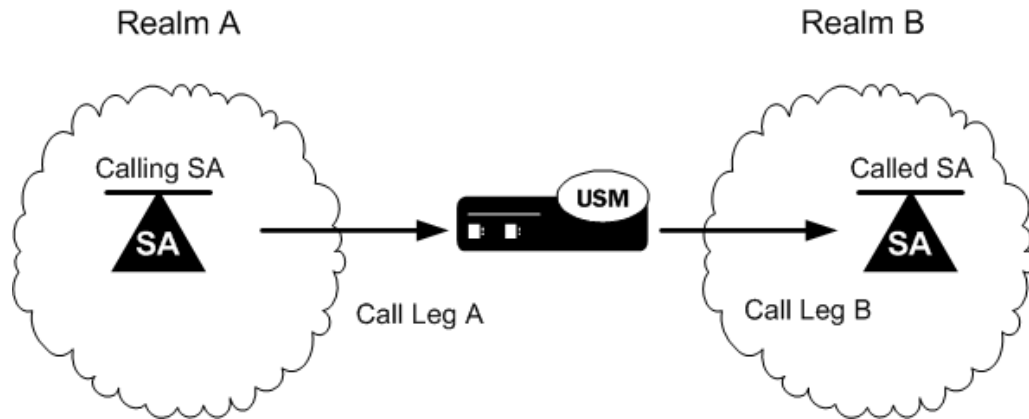
Number translation can be used to strip address prefixes added by external gateways. It can also be used to add a string tag to an address in order to implement a local policy routing scheme, and then remove the tag upon egress from the Oracle® Enterprise Session Border Controller. The most common use of number translation is to add or remove a “1” or a + from a phone number sent from or addressed to a device.

### Number Translation Implementation

Oracle® Enterprise Session Border Controller number translations are implemented in three steps. First, the individual number translation rules are defined in the translation rules subelement. Next, the established rules are grouped in a specified order to apply to calling and called numbers. This second step occurs in the session translation element. Finally, session translations are attached to either session agents or realms in the session agent element or realm configuration element.

Number translations attached to session agents take precedence over number translations attached to realms. If no number translation is applied to a session agent, then the Oracle® Enterprise Session Border Controller will use the number translation applied to a realm. If a number translation is applied to both a realm and session agent, the translation attached to the session agent will apply. If session agents and realms have no associated translations, then all numbers will remain in their original forms as they pass through the Oracle® Enterprise Session Border Controller.

Within each realm or session agent, the number translation is applied to either the incoming or outgoing call leg. This distinction between incoming and outgoing calls is made from the point of view of the Oracle® Enterprise Session Border Controller. The following diagram illustrates the number translation concept.



The following table displays which parameters to apply a session translation ID in order to affect the corresponding leg of the call as shown in the illustration.

Leg	Calling SA	Called SA	Realm A	Realm B
A	IN Translation ID	N/A	IN Translation ID	N/A
B	N/A	OUT Translation ID	N/A	OUT Translation ID

## Number Translation in SIP URIs

Number translations only change the user portion of the URI. A typical SIP URI looks like **sip:user@hostname**. The user portion can take the form of either a phone number or any other string used for identification purposes.

Within the SIP header exists a Request URI, a To URI, and a From URI. The session translation element's rules calling parameter modifies the From URI, while the rules called parameter modifies the Request URI and the To URI.

## Session Translation in H.323 Messages

Because H.323 messages explicitly define the calling and called parties, the correspondence is exactly the same between the endpoints and configuration parameters. The H.323 calling party corresponds to the session translation element's rules calling parameter. The H.323 called party corresponds to the session translation element's rules called parameter.

## Number Translation Configuration Overview

Configuring the number translation feature requires the following steps:

1. Configure individual translation rules in the translation rules element.
2. Group these rules for use in the session translation element.
3. Apply these groups of rules on a per session agent or per realm basis using the appropriate fields in the session agent or realm configuration elements.

## Translation Rules

The translation rules subelement is where the actual translation rules are created. The fields within this element specify the type of translation to be performed, the addition or deletion to be made, and where in the address that change takes place. Translations are not applied to any realm or session agent in this element.

When creating translation rules, first determine the type of translation to perform. The following table lists and describes the three types of number translations.

Field Value	Description
add	This translation type adds a character or string of characters to the address.
delete	This translation type deletes a character or string of characters from the address.
replace	This translation type replaces a character or string of characters within the address. Replace works by first applying the delete parameter then by applying the add parameter.

After you set the translation type, you define the string to add or delete. The wildcard term for a string to delete is the at-sign, @. Finally, you specify the character position in the address to make the addition or deletion.

The character position where an add or delete occurs is called an index. The index starts at 0 (immediately before the leftmost character) and increases by 1 for every position to the right you move. In order to specify the final position in an address, use the dollar-sign, \$.

To create a translation rule that deletes a string:

### Translation Rules for Deleting Strings

To create a translation rule that deletes a string:

1. Enter a descriptive name for this translation in the ID field.
2. If you are deleting a specific string, enter it in the delete string field.
3. If you are deleting a portion of the address string, enter the index number in the delete index field. For this type of deletion, remember to enter the number of characters you are deleting in the form of at-signs @ in the delete string field.

The first matched string will be deleted, any remaining strings that match will remain. For example, if the address is 187521865 and the string to delete is "18," only the first instance of 18 will be deleted. The second instance will remain after translation.

### Translation Rules for Adding Strings

To create a translation rule that adds a string:

1. Enter a descriptive name for this translation in the ID field.
2. Enter the string you want to add in the add string field.



3. Enter the index of the string insertion in the add-index parameter. If you want to add a string at the end of an number, enter a dollar-sign \$ in the add index field.

## Translation Rules for Replacing Strings

To create a translation rule that replaces a string:

### Note:

A string replacement involves deleting a string followed by adding a string in the removed string's place. The index is not used when replacing a string.

1. Enter a descriptive name for this translation in the ID field.
2. Enter the string you want to delete in the delete string field.
3. Enter the string you want to add in the add string field.

## Session Translation

A session translation defines how translation rules are applied to calling and called numbers. Multiple translation rules can be referenced and applied using this element, which groups rules together and allows them to be referenced by one identifier.

There are two parameters in the session translation element. The rules calling parameter lists the translation rules to be applied to the calling number. The rules called parameter lists of translation rules to be applied to the called number.

The Oracle® Enterprise Session Border Controller applies the translation rules in the order in which they are entered. They are applied cumulatively. For example, if this field is configured with a value of rule1 rule2 rule3, rule1 will be applied to the original number first, rule2 second, and rule3 last.

To configure the session translation element:

1. Enter a descriptive name for this session translation in the ID field.
2. Enter the IDs of existing translation rules in the rules calling parameter. Multiple rules can be entered in this field. The order you enter them in is the order in which they are applied.
3. Enter the IDs of existing translation rules in the rules called parameter. Multiple rules can be entered in this field. The order you enter them in is the order in which they are applied.

## Applying Session Translations

Session translations can be applied to both session agents and realms. Both session agents and realms contain the two parameters that denote incoming and outgoing call legs—in translation ID and out translation ID. These two fields are populated with session translation element IDs.

If none of these fields are populated, no number translation will take place and the original address will remain unchanged as it traverses the Oracle® Enterprise Session

Border Controller. Further, any session translation applied to a session agent takes precedence over one applied to a realm.

## Session Agent

To configure number translation for a session agent:

- In the session agent element, set the in translation ID and/or the out translation ID to the appropriate ID you configured in the session translation element. There can be only one entry in each of these fields.

## Realm

To configure number translation for a realm:

- In the realm configuration element, set the in translation ID and/or the out translation ID to the appropriate ID you configured in the session translation element. There can be only one entry in each of these fields.

## Number Translation Configuration

To create a translation rule:

1. In Superuser mode, type **configure terminal** and press Enter.

```
ORACLE# configure terminal
```

2. Type **session-router** and press Enter to access the session router configuration elements.

```
ORACLE(configure)# session-router
```

3. Type **translation-rules** and press Enter. The system prompt changes to let you know that you can begin configuring individual parameters.

```
ORACLE(session-router)# translation-rules  
ORACLE(translation-rules)#
```

From this point, you can configure translation rules parameters. To view all translation rules parameters, enter a **?** at the system prompt. The following is an example of what a translation rule configuration might look like. Parameters not described in this section are omitted below.

```
translation-rules  
    id                addplus1  
    type              add  
    add-string        +1  
    add-index         0  
    delete-string  
    delete-index     0
```

## Translation Rules

Set the following parameters to configure a translation rule:

1. **ID**—Set a descriptive ID name for this translation rule.
2. **type**—Set the type of translation rule you want to configure. The default value is **none**. The valid values are:
  - **add**—Adds a character or string of characters to the address
  - **delete**—Deletes a character or string of characters from the address
  - **replace**—Replaces a character or string of characters within the address
  - **none**—Translation rule is disabled
3. **add-string**—Enter the string to be added during address translation to the original address. The value in this field should always be a real value; i.e., this field should not be populated with at-signs (@) or dollar-signs (\$). The default value is a blank string.
4. **add-index**—Enter the position, 0 being the left most position, where you want to add the string defined in the **add-string** parameter. The default value is zero (0). The valid range is:
  - Minimum—0
  - Maximum—999999999
5. **delete-string**—Enter the string to be deleted from the original address during address translation. Unspecified characters are denoted by the at-sign symbol (@).

The @ character only works if the type parameter is set to delete. This parameter supports wildcard characters or digits only. For example, valid entries are: delete-string=@@@@, or delete-string=123456. An invalid entry is delete-string=123@@@. When the type is set to replace, this value is used in conjunction with the add-string value. The value specified in the delete-string field is deleted and the value specified in the add-string field is inserted. If no value is specified in the delete-string parameter and the type field is set to replace, then nothing will be inserted into the address. The default value is a blank string.
6. **delete-index**—Enter the position, 0 being the left most spot, where you want to delete the string defined in the **delete-string** parameter. This parameter is only used if the **delete-string** parameter is set to one or more at-signs. The default value is zero (0). The valid range is:
  - Minimum—0
  - Maximum—999999999

## Session Translation

To configure session translations:

1. Exit out of the translation rules element and enter the session translation element.

```
ORACLE(translation-rules)# exit
ORACLE(session-router)# session-translation
ORACLE(session-translation)#
```

From this point, you can configure the session translation element. To view all session translation parameters, enter a **?** at the system prompt. The following is an example of what a session translation configuration might look like:

```
session-translation
  id                               lrules-out
  rules-calling                    rule1 rule2 rule3
  rules-called                     addplus1
```

2. **ID**—Set a descriptive ID name for this session translation.
3. **rules-calling**—Enter the rules calling in the order in which they should be applied. Multiple rules should be included in quotes and separated by spaces.

```
ORACLE(session-translation)# rules-calling "rule1 rule2 rule3"
```

4. **rules-called**—Enter the rules called in the order in which they should be applied. Multiple rules should be included in quotes and separated by spaces.

## Number Translation Application

To complete your number translation configuration, you must enter into a **realm-config** or **session-agent** element and assign **session-translations** there.

1. Navigate to the chosen element.
  - To move from the session-translation element to the session-agent element, exit out of the session translation element and enter the session agent element.

```
ORACLE(session-translation)# exit
ORACLE(session-router)# session-agent
ORACLE(session-agent)#
```

- To move from the session-translation element to the realm-config element, exit from the session translation element to the configuration path.

```
ORACLE(session-translation)# exit
ORACLE(session-router)# exit
```

Navigate to the ream-config element located in the media-manager path.

```
ORACLE(configure)# media-manager
ORACLE(media-manager)# realm-config
ORACLE(realm-config)#
```

2. In both **realm-config** or **session agent** elements, you must specify an **in-translationid** and/or an **out-translationid** in order to configure the number translation.

```
session-agent
  in-translationid
  out-translationid          lrules-out
realm-config
  in-translationid
  out-translationid          lrules-out
```

Set the following parameters to configure a translation rule:

- **in-translationid**—Enter the configured session translation that you want to affect the incoming traffic in this parameter.
- **out-translationid**—Enter the configured session translation that you want to affect the outgoing traffic in this parameter.

## Other Translations

### SIP NAT Translations

There are other translations that occur by way of SIP NAT functionality acting on the SIP R-URI, From-URI, and To URI headers. The translation of URIs in the SIP message occurs as messages are received and sent from the Oracle® Enterprise Session Border Controller's SIP proxy. These translations create a bridge between the external and home realms and remove all references to the original IPv4 addressing from the packets sent to the destination network.

The purpose of this translation is to prevent private IPv4 addresses from appearing in SIP message URIs while traveling through the public network. This aspect of the SIP NAT's functionality involves either translating the private address to a public address or encrypting the private address into the URI.

### FQDN Mapping

The Oracle® Enterprise Session Border Controller maps FQDNs that appear in certain headers of incoming SIP messages to the IPv4 address that the Oracle® Enterprise Session Border Controller inserts in outgoing SIP contact headers. The mapped FQDNs are restored in the SIP headers in messages that are sent back to the originator.

This feature is useful to carriers that use IPv4 addresses in the SIP From address to create trunk groups in a PSX for routing purposes. When the carrier's peer uses FQDNs, the carrier is forced to create trunk groups for each possible FQDN that it might receive from a given peer. Similarly, this can apply to SIP Contact and P-asserted-identity headers.

# 10

## Admission Control and QoS

### Admission Control and QoS

This chapter describes how to configure the Oracle® Enterprise Session Border Controller for call admission control and Quality of Service (QoS) monitoring. Call admission control lets you manage call traffic based on several different policies. It is aimed at managing call admission rates in the network, enabling you to maintain suitable QoS levels. A new call is admitted only if it meets the requirements

QoS reporting provides you with real-time evaluation of network and route performance. It lets you contrast internal domain and external domain performance and facilitates SLA verification and traffic engineering.

### About Call Admission Control

The Oracle® Enterprise Session Border Controller provides call admission control capabilities based on the following policies:

- Bandwidth (single and multi-level policies)
- Session capacity
- Session rate (sustained and burst)

#### Note:

In order to provide admission control for networks to which the Oracle® Enterprise Session Border Controller is not directly connected, you need to define multiple realms per network interface.

### Bandwidth-Based Admission Control

The Oracle® Enterprise Session Border Controller is a policy enforcement point for bandwidth-based call admission control. Sessions are admitted or rejected based on bandwidth policies, configured on the Oracle® Enterprise Session Border Controller for each realm.

To manage bandwidth consumption of a network's overall capacity, you can configure aggregate bandwidth policies for each realm.

As the Oracle® Enterprise Session Border Controller processes call requests to and from a particular realm, the bandwidth consumed for the call is decremented from the bandwidth pool for that realm. The Oracle® Enterprise Session Border Controller determines the required bandwidth from the SDP/H.245 information for SIP and from the OLC sent in the SETUP message for H.323. Any request that would cause the

bandwidth constraint to be exceeded is rejected with a SIP 503 Service Unavailable or an H.323 Release Complete.

For example, if an incoming SIP message requests PCMU for a payload/encoding name, a zero (0) payload type, and an 8000 cycle clock rate, the Oracle® Enterprise Session Border Controller must determine how much bandwidth is needed.

To accomplish this task, the system checks the media profile values and reserves the bandwidth required for flows. If the required bandwidth for the new flow exceeds the available bandwidth at the time of the request, the Oracle® Enterprise Session Border Controller rejects the session.

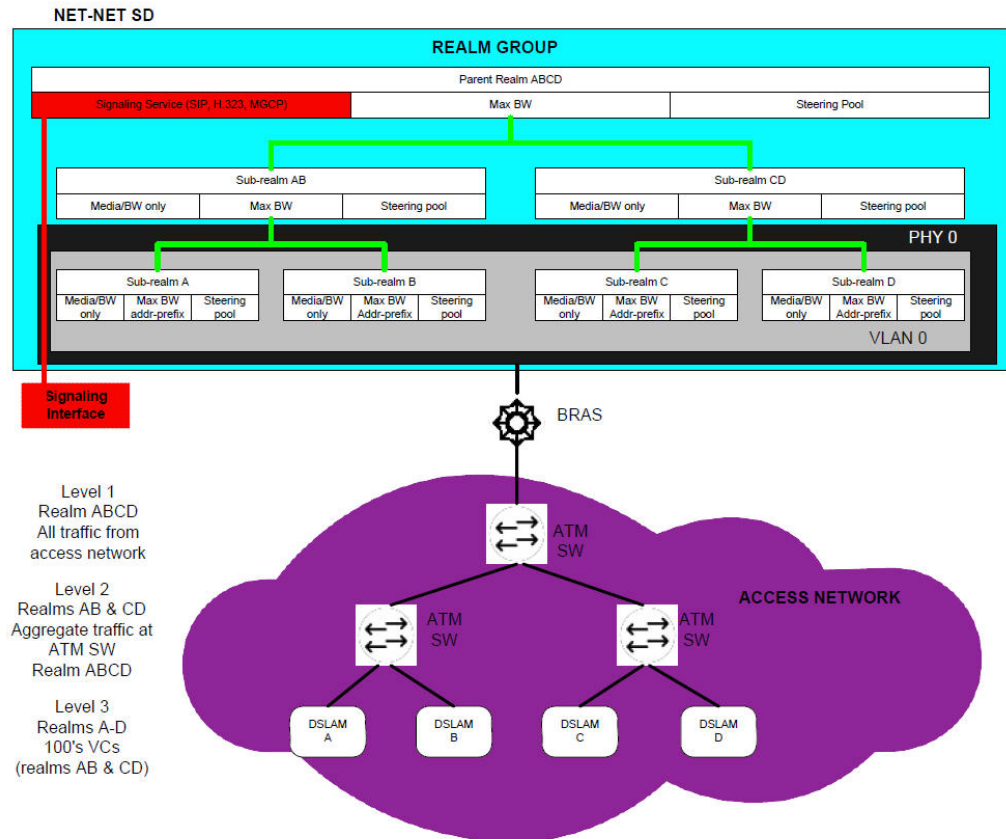
With these mechanisms, the Oracle® Enterprise Session Border Controller provides bandwidth-based admission control.

## Multi-Level Bandwidth Policy Nesting

Multi-level nesting of bandwidth policy enforcement addresses the following issues:

- **Bandwidth over-subscription:** access or transit transport networks are aggregated and/or oversubscribed. For example, digital subscriber lines (DSL), Frame Relay (FR), and Asynchronous Transfer Mode (ATM). Admission control policies must reflect access network topology.
- **Bandwidth partitioning for multiple services:** access or transit bandwidth is partitioned among multiple service profiles (SIP, for example) in the same customer network.
- **Multi-site VPN environments:** admission control must be applied at the site level as well as the VPN level.

The following example illustrates different scenarios; in each there are two or more levels of admission control required. Nested admission control is best depicted by the DSL broadband example.



In DSL access networks, ATM network bandwidth is typically oversubscribed at rates up to 400/1. At Level 3 (above), hundreds of users virtual circuits (VCs) are aggregated to a smaller set of virtual paths (VPs) at each DSLAM. At Level 2, many virtual paths are aggregated at the first ATM switch. Finally, at Level 1, all traffic from all subscribers in the access network is aggregated at the BRAS. Each level of aggregation is oversubscribed, creating the need to perform admission control at each level.

From a Oracle® Enterprise Session Border Controller perspective, multiple tiers of realms are supported, each with its unique bandwidth policy. Only the lowest order realm (Level 3) requires an address prefix (that assigned to the DSLAM) that must be used by the Oracle® Enterprise Session Border Controller to determine in which realm a user resides. When a call request to or from a particular user is received, the Oracle® Enterprise Session Border Controller checks each realm in the path to determine whether sufficient bandwidth is available to place the call.

## Session Capacity- and Rate-based Admission Control

A session agent defines a signaling endpoint. It is a next hop signaling entity that can be configured to apply traffic shaping attributes. You can define concurrent session capacity and rate attributes for each session agent.

You can configure a set of attributes and constraints for each session agent to support session access control. In this configuration, the Oracle® Enterprise Session Border Controller only accepts requests from configured session agents. And you can set up session admission control so that the Oracle® Enterprise Session Border Controller



limits the number of concurrent inbound and outbound sessions for any known service element.

The Oracle® Enterprise Session Border Controller denies a call request to any destination that has exceeded its configured policies for session capacity and session rate. The Oracle® Enterprise Session Border Controller might reject the call request back to the originator. If multiple destinations are available, the Oracle® Enterprise Session Border Controller will check current capacity and rate for each destination and attempt to route the call only to destinations whose policy limits have not been reached.

You assign a media profile to a session agent and indicate whether the transport protocol is SIP or H.323. If the protocol is H.323, you need to indicate whether the session agent is a gateway or a gatekeeper.

## Constraints for Proxy Mode

The Oracle® Enterprise Session Border Controller applies session router and session agent constraints when it is in proxy (transaction or stateless) mode if you enable the ACLI **constraints** parameter for a session agent. However, the Oracle® Enterprise Session Border Controller does not track SIP sessions when in transaction mode, so the following session-specific constraints are not applied:

- max-sessions
- max-inbound-sessions
- max-outbound-sessions
- min-seizures
- min-asr

Constraints the Oracle® Enterprise Session Border Controller applies are:

- max-burst-rate
- max-inbound-burst-rate
- max-outbound-burst-rate
- max-sustain-rate
- max-inbound-sustain-rate
- max-outbound-sustain-rate

In order to set the desired time windows for computing burst rates and sustain rates, you also need to configure these parameters in the session agent configuration: **burst-rate-window** and **sustain-rate-window**. You can also set the **time-to-resume** and **in-service-period** parameters to control how long to wait before bringing a session agent back into service after its constraints are no longer exceeded.

## CAC Policing and Marking for non-Audio non-Video Media

The Oracle® Enterprise Session Border Controller supports non-AVT (audio-visual transport) media profile and media policy configurations.

In previous releases, the Oracle® Enterprise Session Border Controller only policed media based on average rate limits configured in media profiles, but these are only applied to AVT. And if there are not required bandwidth or average rate limit values set

for the media profile, CAC and policing functions are not applied to media—even if the SDP specifies appropriate bandwidth values. Likewise, ToS markings are not applied for non-AVT media, but only for SIP, H.323, and AVT media types.

With this feature addition, you can now enable your Oracle® Enterprise Session Border Controller to handle non-AVT media types like image and text, and use application and data type for policing purposes. Bandwidth CAC support has also been added for non-AVT media types, as has support for the application specific (AS) bandwidth modifier (`b=AS:<value>`) in the SDP with specification of a defined amount of headroom for that value.

## Bandwidth CAC Fallback Based on ICMP Failure

For networks where backup links (operating in active-standby mode) from CE-routers to the MPLS backbone are provisioned with less bandwidth than the primary links, the Oracle® Enterprise Session Border Controller can:

- Detect remote link failures
- Trigger bandwidth updates at the realm level when using backup links
- Detect remote link failback to primary

To do so, the Oracle® Enterprise Session Border Controller monitors the primary link status using ICMP echo requests (or pings). It issues the pings at regular intervals, forming a heartbeat mechanism. The CE-router can respond to these pings on the primary link, which is represented by the WAN IP address. When this link fails over, the backup link assumes the same WAN IP address but is not responsive to the pings. This way, the Oracle® Enterprise Session Border Controller determines failover when the ICMP ping fails.

When there is an ICMP ping failure, the Oracle® Enterprise Session Border Controller adjusts the realm's available bandwidth pool from its maximum bandwidth setting to its fallback setting. If the fallback amount is less than the maximum amount, it is possible for the Oracle® Enterprise Session Border Controller to start rejecting calls. It does so until enough calls are released to free adequate bandwidth to stay under the fallback limit and still accept calls.

## Bandwidth CAC Fallback Based on ICMP Failure Configuration

You can set up ICMP heartbeats and fallback bandwidth pools in the realm configuration. Leaving the `icmp-detect-multiplier`, `icmp-advertisement-interval`, or `icmp-target-ip` parameters blank or set to zero turns the feature off.

To enable bandwidth CAC fallback based on ICMP failure:

1. In Superuser mode, type `configure terminal` and press Enter.

```
ORACLE# configure terminal
ORACLE(configure)#
```

2. Type `media-manager` and press Enter.

```
ORACLE(configure)# media-manager
ORACLE(media-manager)#
```

3. Type **realm-config** and press Enter. If you are adding this feature to a pre-existing realm configuration, you will need to select and edit your realm.

```
ORACLE(media-manager)# realm-config
ORACLE(realm-config)#
```

4. **icmp-detect-multiplier**—Enter the multiplier you want to use when determining how long to send ICMP pings before considering a target unreachable. This number multiplied by the time you set for the **icmp-advertisement-interval** determines the length of time. For example, if you set this parameter to 10 and the advertisement interval to 20, the Oracle® Enterprise Session Border Controller will send ICMP pings for 200 seconds before declaring the target unreachable.
5. **icmp-advertisement-interval**—Enter the time in seconds between ICMP pings the Oracle® Enterprise Session Border Controller sends to the target. The default is 0.
6. **icmp-target-ip**—Enter the IP address to which the Oracle® Enterprise Session Border Controller should send the ICMP pings so that it can detect when they fail and it needs to switch to the fallback bandwidth for the realm. There is no default.
7. **fallback-bandwidth**—Enter the amount of bandwidth you want available once the Oracle® Enterprise Session Border Controller has determined that the target is unreachable.

If the fallback amount is less than the **max-bandwidth** value, the Oracle® Enterprise Session Border Controller might start to reject calls. It does so until enough calls are released to free adequate bandwidth to stay under the fallback limit and still accept calls.

8. Save and activate your configuration.

## Bandwidth CAC for Aggregate Emergency Sessions

You can configure the maximum amount of bandwidth on your Oracle® Enterprise Session Border Controller you want used specifically for priority (emergency) calls in the realm configuration's **max-priority-bandwidth** parameter. You set this limit on a per-realm basis, and the limit is enforced for nested realms. Setting a bandwidth limit specifically for priority calls allows the Oracle® Enterprise Session Border Controller to reject calls exceeding the threshold, and also to accept calls that exceed the bandwidth limit for non-priority calls (set in the **max-bandwidth** parameter).

The bandwidth limit for emergency calls operates in conjunction with the bandwidth limits you can set for all other types of calls. When an emergency call comes in, the Oracle® Enterprise Session Border Controller checks the non-priority bandwidth limit. If bandwidth is sufficient, the call goes through and the Oracle® Enterprise Session Border Controller decrements the bandwidth used from the pool of the amount available.

However, if a priority call exceeds the **max-bandwidth** setting, the Oracle® Enterprise Session Border Controller checks the **max-priority-bandwidth** parameter. If it is within the limit for priority calls, the system allows the call and decrements the amount of used bandwidth from what is available.

When there is not enough bandwidth in either the priority or non-priority pool, the Oracle® Enterprise Session Border Controller rejects the call with the corresponding error code and reason phrase.

Any bandwidth subtracted from either pool during a session is returned to that pool as soon as the session ends.

## Bandwidth CAC for Aggregate Emergency Sessions Configuration

You configure bandwidth CAC for priority calls on a per-realm basis.

### Note:

This parameter honors the hierarchy of nested realms if you have them configured.

To enable bandwidth CAC for aggregate emergency sessions:

1. In Superuser mode, type **configure terminal** and press Enter.

```
ORACLE# configure terminal  
ORACLE(configure)#
```

2. Type **media-manager** and press Enter.

```
ORACLE(configure)# media-manager  
ORACLE(media-manager)#
```

3. Type **realm-config** and press Enter. If you are adding this feature to a pre-existing realm configuration, you will need to select and edit your realm.

```
ORACLE(media-manager)# realm-config  
ORACLE(realm-config)#
```

4. **max-priority-bandwidth** Enter the amount of bandwidth you want to use for priority (emergency) calls. The system first checks the **max-bandwidth** parameter, and allows the call if the value you set for priority calls is sufficient. If there is not enough priority and non-priority bandwidth allotted for an incoming call, the Oracle® Enterprise Session Border Controller rejects it.

This parameter defaults to 0. You can enter any value between 0 and 999999999.

5. Save and activate your configuration.

## Admission Control for Session Agents

This section explains how to configure session agents for admission control.

### Session Agents Admission Control Configuration

To use admission control based on session rate, you need to configure session agent session rate constraints.

To configure session rates:

1. In Superuser mode, type **configure terminal** and press Enter.

```
ORACLE# configure terminal
```

2. Type **session-router** and press Enter.

```
ORACLE(configure)# session-router
```

3. Type **session-agent** and press Enter. The system prompt changes to let you know that you can begin configuring individual parameters.

```
ORACLE(session-router)# session-agent  
ORACLE(session-agent)#
```

4. Enable session agent constraints and then configure the parameters related to session capacity or session rate to set admission control.

constraints—Enable this parameter. From here you can either configure admission control based on session capacity, session rates, or both. The default value is enabled. The valid values are:

- enabled | disabled

5. **max-sessions**—Set the maximum number of sessions (inbound and outbound) allowed by the session agent. The default value is zero (0). The valid range is:

- Minimum—0
- Maximum—4294967295

6. **max-inbound-sessions**—Enter the maximum number of inbound sessions allowed from this session agent. The default value is zero (0). The valid range is:

- Minimum—0
- Maximum—999999999

7. **max-outbound-sessions**—Enter the maximum number of concurrent outbound sessions (outbound from the Oracle® Enterprise Session Border Controller ) that are allowed from this session agent. The default value is zero (0). The valid range is:

- Minimum—0
- Maximum—4294967295

 **Note:**

The number you enter here cannot be larger than the number you entered for max-sessions.

8. **max-burst-rate**—Enter a number to set how many SIP session invitations or H.323 SETUPS this session agent can send or receive (per second) within the configured burst rate window value. The default value is zero (0). The valid range is:

- Minimum—0
- Maximum—4294967295

For example, with a max-burst-rate of 20 and a burst-rate-window of 10, the Oracle® Enterprise Session Border Controller permits 200 sessions within the first 10 seconds and then reject all new sessions until it exits constraint mode.

9. **max-inbound-burst-rate**—Enter the maximum burst rate (number of session invitations per second) for inbound sessions from this session agent. The default value is zero (0). The valid range is:
  - Minimum—0
  - Maximum—999999999
10. **max-outbound-burst-rate**—Enter the maximum burst rate (number of session invitations per second) for outbound sessions to this session agent. The default value is zero (0). The valid range is:
  - Minimum—0
  - Maximum—999999999
11. **max-sustain-rate**—Enter a number to set the maximum rate of session invitations (per second) this session agent can send or receive within the current window. The default value is zero (0). The valid range is:
  - Minimum—zero (0)
  - Maximum—4294967295

The number you enter here must be larger than the number you enter for **max-burst-rate**.

For the sustained rate, the Oracle® Enterprise Session Border Controller maintains a current and previous window size. The period of time over which the rate is calculated is always between one and two window sizes.

For example, if you enter a value of 50 here and a value of 36 (seconds) for the sustain rate window constraint, no more than 1800 session invitations can arrive at or leave from the session agent in any given 36 second time frame (window). Within that 36 second window, sessions over the 1800 limit are rejected.

12. **max-inbound-sustain-rate**—Enter the maximum sustain rate (of session invitations allowed within the current window) of inbound sessions from this session agent. This value should be larger than the **max-inbound-burst-rate** value. The default value is zero (0). The valid range is:
  - Minimum—0
  - Maximum—999999999
13. **max-outbound-sustain-rate**—Enter the maximum sustain rate (of session invitations allowed within the current window) of outbound sessions to this session agent. This value should be larger than the **max-outbound-burst-rate** value. The default value is zero (0). The valid range is:
  - Minimum—0
  - Maximum—999999999
14. **burst-rate-window**—Enter a number to set the burst window period (in seconds) that is used to measure the burst rate. The term window refers to the period of time over which the burst rate is computed. The default value is zero (0). The valid range is:
  - Minimum—0

- Maximum—4294967295

**15. sustain-rate-window**—Enter a number to set the sustained window period (in seconds) that is used to measure the sustained rate. The default value is zero (**0**), which disables the functionality. The valid range is:

- Minimum—10
- Maximum—4294967295

The value you set here must be higher than or equal to the value you set for the burst rate window.

 **Note:**

If you are going to use this parameter, you must set it to a minimum value of 10.

The following example shows session agent constraints that are enabled and the session capacity parameters have been configured. Other session agent parameters have been omitted for brevity.

```
session-agent
constraints                enabled
max-sessions                355
max-inbound-sessions       355
max-outbound-sessions      355
```

The following example shows session agent constraints are enabled and the session rate parameters have been configured. Other session agent parameters have been omitted for brevity.

```
session-agent
max-burst-rate             0
max-inbound-burst-rate    10
max-outbound-burst-rate   1
max-sustain-rate          3000
max-inbound-sustain-rate  0
max-outbound-sustain-rate 0
burst-rate-window         0
sustain-rate-window       0
```

## Realm Bandwidth Configuration

To configure admission control based on bandwidth, you set the max and min bandwidth parameters in the realm configuration.

To configure realm bandwidth:

1. In Superuser mode, type **configure terminal** and press Enter.

```
ORACLE# configure terminal
```

2. Type **media-manager** and press Enter.

```
ORACLE(configure)# media-manager
```

3. Type **realm-config** and press Enter. The system prompt changes to let you know that you can begin configuring individual parameters.

```
ORACLE(media-manager)# realm-config  
ORACLE(realm-config)#
```

4. Configure the maximum bandwidth.

**max-bandwidth**—Enter a number that sets the maximum bandwidth for dynamic flows to/from the realm in kilobits (Kbps) per second. The default value is zero (0). The valid range is:

- Minimum—0
- Maximum—4294967295

The following example shows the maximum bandwidth for the realm has been configured. All other realm parameters have been omitted for brevity.

```
realm-config  
max-bandwidth                64000
```

## SIP Admission Control Configuration

You can configure the registered endpoint to accept and process requests from SIP realms. If a request does not meet the criteria of the option you choose here, it is rejected with a 403 (Forbidden) response.

To configure admission control:

1. In Superuser mode, type **configure terminal** and press Enter.

```
ORACLE# configure terminal
```

2. Type **session-router** and press Enter.

```
ORACLE(configure)# session-router
```

3. Type **sip-interface** and press Enter. The system prompt changes to let you know that you can begin configuring individual parameters.

```
ORACLE(session-router)# sip-interface  
ORACLE(sip-interface)#
```

4. Type **sip-ports** and press Enter. The system prompt changes to let you know that you can begin configuring individual parameters.

```
ORACLE(sip-interface)# sip-port  
ORACLE(sip-port)#
```

5. Set the criteria for admission control.



allow-anonymous—Enter the anonymous connection mode you want applied when SIP requests are processed. The default value is all.

The following are valid values:

- **all**—No ACL is applied and all anonymous connections are allowed.
- **agents-only**—Only requests from configured session agents are processed. The Oracle® Enterprise Session Border Controller responds to all other requests with a forbidden response.
- **realm-prefix**—Only requests from session agents and addresses matching the realm's address prefix are processed. All other requests are rejected with a 403 (Forbidden) response.
- **registered**—Only requests from session agents and registered endpoints are processed. REGISTER allowed from any endpoint.
- **registered-prefix**—Only requests from session agent and registered endpoint addresses that match the realm's realm prefix are processed.

The following example shows the **allow-anonymous** parameter that has been configured to allow only requests from session agents and registered endpoints. All other session agent parameters following the **allow-anonymous** parameters are omitted for brevity.

```

sip-port
    address
    port 5060
    transport-protocol UDP
    allow-anonymous registered

```

## H.323 Admission Control Configuration

You can configure the endpoint to allow accept and process requests from a H.323 realm. If a request does not meet the criteria you set here, it is rejected.

To configure admission control:

1. In Superuser mode, type **configure terminal** and press Enter.

```
ORACLE# configure terminal
```

2. Type **session-router** and press Enter.

```
ORACLE(configure)# session-router
```

3. Type **h323** and press Enter. The system prompt changes to let you know that you can begin configuring individual parameters.

```
ORACLE(session-router)# h323
ORACLE(h323)#
```

4. Type **h323-stacks** and press Enter. The system prompt changes to let you know that you can begin configuring individual parameters.

```
ORACLE(h323)# h323-stacks
ORACLE(h323-stack)#
```

5. Set the criteria upon which you want to base admission control.

allow-anonymous—Enter the anonymous connection option (mode) you want applied to the processing of H.323 requests. The default value is all.

The following are valid values:

- **all**—No ACL is applied and all anonymous connections are allowed.
- **agents-only**—Only requests from configured session agents are processed.
- **realm-prefix**—Only requests from session agents and addresses matching the realm's address prefix are processed. All other requests are rejected.

The following example shows the **allow-anonymous** parameter has been configured to allow only requests from configured session agents. All other **h.323-stack** parameters are omitted for brevity.

```
h323-stack
allow-anonymous          agents-only
```

## Aggregate Session Constraints for SIP

You can set a full suite of session constraints and then apply them to a SIP interface. The session constraints configuration contains many of the same parameters as the session agent, so you can configure a group of constraints and then apply them to a SIP interface/

The SIP interface configuration's **constraint-name** parameter invokes the session constraint configuration you want to apply. Using the constraints you have set up, the Oracle® Enterprise Session Border Controller checks and limits traffic according to those settings for the SIP interface. Of course, if you do not set up the session constraints or you do not apply them in the SIP interface, then that SIP interface will be unconstrained. If you apply a single session-constraint element to multiple SIP interfaces, each SIP interface will maintain its own copy of the session-constraint.

SIP interfaces now have two states: "In Service" and "Constraints Exceeded." When any one of the constraints is exceeded, the status of the SIP interface changes to Constraints Exceeded and remains in that state until the **time-to-resume** period ends. The session constraint timers that apply to the SIP interface are the time-to-resume, burst window, and sustain window.

## Aggregate Session Constraints Configuration

This section shows you how to configure aggregate session constraints and then apply them to a SIP interface.

The session constraints configuration contains many of the same parameters as the session agent does; it also incorporates the changes to the session agent parameters that are described in this section.

To configure the session constraints:

1. In Superuser mode, type **configure terminal** and press Enter.

```
ORACLE# configure terminal
```

2. Type **session-router** and press Enter.

```
ORACLE(configure)# session-router
```

3. Type **session-constraints** and press Enter.

```
ORACLE(session-router)# session-constraints
```

4. **name**—Enter the name for this session constraints configuration; this is a unique identifier that you will use in the SIP interface when you want the session constraints applied there. This is a required parameter that has no default.
5. **state**—Enable this parameter to use these session constraints. The default value is **enabled**. The valid values are:
  - enabled | disabled
6. **max-sessions**—Enter the maximum sessions allowed for this constraint. The default value is zero (**0**). The valid range is:
  - Minimum—0
  - Maximum—999999999
7. **max-outbound-sessions**—Enter the maximum outbound sessions allowed for this constraint. The default value is zero (**0**). The valid range is:
  - Minimum—0
  - Maximum—999999999
8. **max-inbound-sessions**—Enter the maximum inbound sessions allowed for this constraint. The default value is zero (**0**). The valid range is:
  - Minimum—0
  - Maximum—999999999
9. **max-burst-rate**—Enter the maximum burst rate (invites per second) allowed for this constraint. This value should be the sum of the **max-inbound-burst-rate** and the **max-outbound-burst-rate**. The default value is zero (**0**). The valid range is:
  - Minimum—0
  - Maximum—999999999
10. **max-sustain-rate**—Enter the maximum rate of session invitations per second allowed within the current window for this constraint. The default value is zero (**0**). The valid range is:
  - Minimum—0
  - Maximum—999999999

For the sustained rate, the Oracle® Enterprise Session Border Controller maintains a current and previous window size. The period of time over which the rate is calculated is always between one and two window sizes.

11. **max-inbound-burst-rate**—Enter the maximum inbound burst rate (number of session invitations per second) for this constraint. The default value is zero (0). The valid range is:
  - Minimum—0
  - Maximum—999999999
12. **max-inbound-sustain-rate**—Enter the maximum inbound sustain rate (of session invitations allowed within the current window) for this constraint. The default value is zero (0). The valid range is:
  - Minimum—0
  - Maximum—999999999

For the sustained rate, the Oracle® Enterprise Session Border Controller maintains a current and previous window size. The period of time over which the rate is calculated is always between one and two window sizes.
13. **max-outbound-burst-rate**—Enter the maximum outbound burst rate (number of session invitations per second) for this constraint. The default value is zero (0). The valid range is:
  - Minimum—0
  - Maximum—999999999
14. **max-outbound-sustain-rate**—Enter the maximum outbound sustain rate (of session invitations allowed within the current window) for this constraint. The default value is zero (0). The valid range is:
  - Minimum—0
  - Maximum—999999999

For the sustained rate, the Oracle® Enterprise Session Border Controller maintains a current and previous window size. The period of time over which the rate is calculated is always between one and two window sizes.
15. **time-to-resume**—Enter the number of seconds after which the SA (Session Agent) is put back in service (after the SA is taken OOS (Out Of Service) because it exceeded some constraint). The default value is zero (0). The valid range is:
  - Minimum—0
  - Maximum—999999999
16. **ttr-no-response**—Enter the time delay in seconds to wait before the SA (Session Agent) is put back in service (after the SA is taken OOS (Out Of Service) because it did not respond to the Oracle® Enterprise Session Border Controller). The default value is zero (0). The valid range is:
  - Minimum—0
  - Maximum—999999999
17. **in-service-period**—Enter the time in seconds that elapses before an element (like a session agent) can return to active service after being placed in the standby state. The default value is zero (0). The valid range is:
  - Minimum—0
  - Maximum—999999999
18. **burst-rate-window**—Enter the time in seconds that you want to use to measure the burst rate; the window is the time over which the burst rate is calculated, and

is used for the over all burst rate as well as the inbound and outbound burst rates. The default value is zero (**0**). The valid range is:

- Minimum—0
  - Maximum—999999999
19. **sustain-rate-window**—Enter the time in seconds used to measure the sustained rate; the window is the time over which the sustained rate is calculated, and is used for the over all sustained rate as well as the inbound and outbound sustained rates. The default value is zero (**0**). The valid range is:
- Minimum—0
  - Maximum—999999999

## Applying Session Constraints in a SIP Interfaces

In the SIP interface, there is a new parameter that allows you to use a set of session constraints for that interface; the parameter is called `constraint-name`.

To apply session constraints to a SIP interface:

1. In Superuser mode, type **configure terminal** and press Enter.

```
ORACLE# configure terminal
```

2. Type **session-router** and press Enter.

```
ORACLE(configure)# session-router
```

3. Type **sip-interface** and press Enter.

```
ORACLE(session-router)# sip-interface
```

4. **constraint-name**—Enter the name of the session constraints configuration that you want to apply to this SIP interface. There is no default for this parameter.
5. Save and activate your configuration.

## Configuring CAC Policing and Marking for non-Audio non-Video Media

In the media profile and the media policy configurations, the following values have been added for the **media-type** parameter:

- **application | data | image | text**

For the media policy, these new values apply to ToS marking.

## Support for the AS Bandwidth Modifier

Two new parameters have been added to the media profile configuration:

- **sdp-bandwidth**—Enable or disable the use of the AS modifier in the SDP if the **req-bandwidth** and **sdp-rate-limit-headroom** parameters are not set to valid values in a corresponding media profile. The default value is **disabled**. The valid values are:
  - enabled | disabled

- **sdp-rate-limit-headroom**—Specify the percentage of headroom to be added while using the AS bandwidth parameter while calculating the **average-rate-limit** (rate limit for the RTP flow). The default value is zero (0). The valid range is:
  - Minimum—0
  - Maximum—100

The following conditions apply to the use and application of these two new parameters:

- If the amount of required bandwidth is not specified in the media profile (**req-bandwidth**) for the media type in the m= line of the SDP, then the value specified in the AS modifier is used. The Oracle® Enterprise Session Border Controller only uses the AS value if you set the new **sdp-bandwidth** to enabled.
- If the average rate limit value for RTP flows is not specified in the media profile (**average-rate-limit**) for the media type in the m= line of the SDP, then the value specified in the AS modifier is used. The system only uses the AS value if you set the new **sdp-bandwidth** to enabled. When calculating the average rate rate limit that it will use based on the AS modifier, the Oracle® Enterprise Session Border Controller applies the percentage set in the **sdp-rate-limit-headroom** parameter.
- The Oracle® Enterprise Session Border Controller uses the value specified in the AS modifier (if **sdp-bandwidth** is enabled, and **req-bandwidth** is set to 0) along with the **user-cac-bandwidth** value set in the realm configuration; this works the same way that the **req-bandwidth** parameter does.
- The system uses the value specified in the AS modifier (if **sdp-bandwidth** is enabled, and **req-bandwidth** is set to 0) along with the **max-bandwidth** value set in the realm configuration; this works the same way that the **req-bandwidth** parameter does.

## Media Profile Configuration

To set any of the new media types in the media profile configuration:

1. In Superuser mode, type **configure terminal** and press Enter.

```
ORACLE# configure terminal
```

2. Type **session-router** and press Enter.

```
ORACLE(configure)# session-router  
ORACLE(session-router)#
```

3. Type **media-profile** and press Enter. The system prompt changes to let you know that you can begin configuring individual parameters.

```
ORACLE(session-router)# media-profile  
ORACLE(media-profile)#
```

4. **media-type**—Enter the media type that you want to use for this media profile. The valid values are:

- **audio | video | application | data | image | text**

5. Save and activate your configuration.

To set any of the new media types in the media policy configuration:

6. In Superuser mode, type **configure terminal** and press Enter.

```
ORACLE# configure terminal
```

7. Type **media-manager** and press Enter.

```
ORACLE(configure)# media-manager  
ORACLE(media-manager)#
```

8. Type **media-policy** and press Enter. The system prompt changes to let you know that you can begin configuring individual parameters.

```
ORACLE(media-manager)# media-policy  
ORACLE(media-policy)#
```

9. **media-type**—Enter the media type that you want to use for this media profile. The valid values are:

- **audio | video | application | data | image | text**

10. Save and activate your configuration.

## AS Modifier and Headroom Configuration

To enable AS modifier use and establish the percentage of headroom to use:

1. In Superuser mode, type **configure terminal** and press Enter.

```
ORACLE# configure terminal
```

2. Type **session-router** and press Enter.

```
ORACLE(configure)# session-router  
ORACLE(session-router)#
```

3. Type **media-profile** and press Enter. The system prompt changes to let you know that you can begin configuring individual parameters.

```
ORACLE(session-router)# media-profile  
ORACLE(media-profile)#
```

4. **sdp-bandwidth**—Enable this parameter to use the AS bandwidth modifier in the SDP. The default is **disabled**. Valid values are:

- **enabled | disabled**

5. **sdp-rate-limit-headroom**—Specify the percentage of headroom to be added while using the AS bandwidth parameter while calculating the **average-rate-limit** (rate limit for the RTP flow). The default is **0**. The valid range is:

- **Minimum—0**
- **Maximum—100**

6. Save and activate your configuration.

## Offerless Bandwidth CAC for SIP

For SIP sessions offerless INVITEs (i.e., INVITEs that have no SDP offer), the Oracle® Enterprise Session Border Controller can reserved bandwidth and support the session if you set up applicable media profile associations in the global SIP configuration. Otherwise, the Oracle® Enterprise Session Border Controller terminates these sessions.

You configure support for offerless bandwidth CAC by setting up your global SIP configuration with the options parameters set to **offerless-media-bw-profiles**. The option takes multiple media profile names as values to apply when treating offerless INVITEs. When such an INVITE arrives and your configuration supports this option, the Oracle® Enterprise Session Border Controller checks and reserves bandwidth for the session. If there is insufficient bandwidth to reserve, the Oracle® Enterprise Session Border Controller terminates the session. Otherwise, the actual SDP negotiation takes place unaffected while the Oracle® Enterprise Session Border Controller forwards the offerless INVITE. Once the negotiation completes, the Oracle® Enterprise Session Border Controller updates bandwidth reservation.

If the called party's actual bandwidth needs exceed available bandwidth, the Oracle® Enterprise Session Border Controller must terminate the session, even if the session is ringing or answered. To minimize this occurrence as much as possible, you should consider all case scenarios when you select media profiles to use with the **offerless-media-bw-profiles** option.

## Offerless Bandwidth CAC for SIP Configuration

To configure offerless bandwidth CAC for SIP:

1. In Superuser mode, type **configure terminal** and press Enter.

```
ORACLE# configure terminal  
ORACLE(configure)#
```

2. Type **session-router** and press Enter.

```
ORACLE(configure)# session-router  
ORACLE(session-router)#
```

3. Type **sip-config** and press Enter. If you are editing a pre-existing configuration, you needs to select it before you can make changes.

```
ORACLE(session-router)# sip-config  
ORACLE(sip-config)#
```

4. **options**—Your entry will look like this:

```
ORACLE(sip-config)# options offerless-bw-media-profiles=PCMU,G729
```

**You can you the plus sign (+) and the minus sign (-) to add and remove values from the options list.**

5. Type **done** and continue

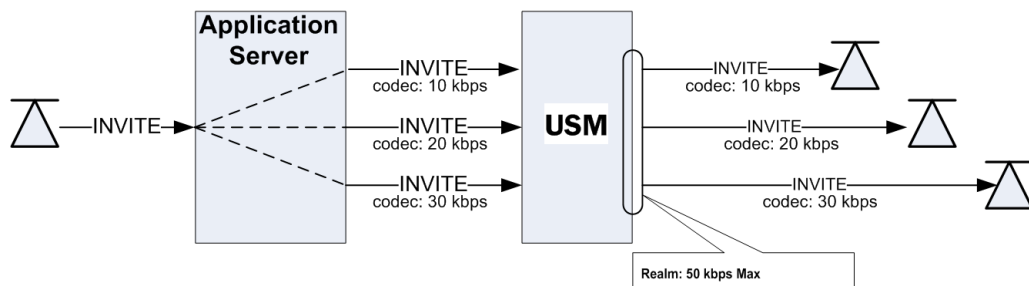


## Shared CAC for SIP Forked Calls

A forked call is one which has multiple INVITEs for the same call. For example, if an Application Server in the provider core network forks a call attempt, the application server sends several INVITEs for the same call toward the Oracle® Enterprise Session Border Controller. Each INVITE is destined for a unique device that belongs to the same user. Ideally, that user will only answer one device. The Oracle® Enterprise Session Border Controller treats each INVITE as a unique call request.

By default, each of the multiple INVITE forks are checked against CAC bandwidth limits, and thus they each consume bandwidth resources when they are received, even though only one of the forks will succeed in establishing a permanent session. Therefore, for many operators the CAC behavior of the SD is too restrictive and results in rejected call attempts which should have been allowed.

The following diagram shows a forked call scenario. The total bandwidth counted against the realm is 60 kbps. If the realm has a bandwidth ceiling of 50 kbps, one of the INVITEs will be rejected.



You can, however, enable the system to enforce CAC limits only once for SIP forked calls as long as the calls are identified as such, meaning that they will use the same bandwidth resources. The Oracle® Enterprise Session Border Controller counts the forked call's most bandwidth-hungry codec at the time it arrives at the Oracle® Enterprise Session Border Controller. In the above diagram, with shared bandwidth for forked calls enabled, the Oracle® Enterprise Session Border Controller counts 30 kbps against the realm's total bandwidth after that INVITE arrives, even after the first two INVITES have passed into the final realm.

## Bandwidth Sharing Scenarios

The following table summarizes how bandwidth would be shared given certain ingress and egress realms with this feature enabled. Realms A and C are call ingress realms.; realms B and D are egress realms. For the bandwidth to be shared, Call A and Call B must have the same forked Call-ID in the P-Multiring-Correlator header and be entering or exiting the Oracle® Enterprise Session Border Controller on the same realm.

CALL A					
CALL B		Ingress Realm A	Egress Realm B	Ingress Realm C	Egress Realm D
	Ingress Realm A	bandwidth shared	N/A	bandwidth not shared	N/A
	Egress Realm B	N/A	bandwidth shared	N/A	bandwidth not shared
	Ingress Realm C	bandwidth not shared	N/A	bandwidth shared	N/A
	Egress Realm D	N/A	bandwidth not shared	N/A	bandwidth shared

## Bandwidth Sharing Configuration

To enable bandwidth sharing of forked calls, set the **forked-cac-bw** parameter in the SIP profile configuration to **shared**. Although there are other parameters available in the SIP profile configuration, you only have to set the **name** and the **forked-cac-bw** values to use this feature.

After you set up the SIP profile, you apply it to a realm, SIP interface, or session agent.

## Configuring a SIP Profile

The SIP profile is an element in the ACLI's **session-router** path, and you can configure multiple SIP profiles.

To configure a SIP profile:

1. In Superuser mode, type **configure terminal** and press Enter.

```
ORACLE# configure terminal
ORACLE(configure)#
```

2. Type **session-router** and press Enter.

```
ORACLE(configure)# session-router
ORACLE(session-router)#
```

3. Type **sip-profile** and press Enter.

```
ORACLE(session-router)# sip-profile
ORACLE(sip-profile)#
```

4. **name**—Enter a name for this SIP profile configuration. This parameter is blank by default, and it is required. You will need the SIP profile's **name** when you want to apply this profile to a realm, SIP interface, or SIP session agent.
5. **forked-cac-bw**—Set this parameter to **shared** if you want forked sessions to share bandwidth resources, or set it to **per-session** if you want bandwidth to be counted for each session individually. There is no default for this parameter, and leaving it blank means:

- For an ingress session agent without a SIP profile or with a SIP profile where the forked CAC mode is blank, the Oracle® Enterprise Session Border Controller will reference the associated realm.
  - For an ingress realm without a SIP profile or with a SIP profile where the forked CAC mode is blank, the Oracle® Enterprise Session Border Controller will reference the associated SIP interface.
  - For an ingress SIP interface without a SIP profile or with a SIP profile where the forked CAC mode is blank, the Oracle® Enterprise Session Border Controller will not perform bandwidth sharing for forked calls.
6. Save your work.

## Applying a SIP Profile

Once you have configured one or more SIP profiles, you can apply them to realms, SIP interfaces, and SIP session agents. As an example, this section shows you how to apply a SIP profile to a SIP interface. But the parameter name is the same in these configurations:

- realm-config
  - sip-interface
  - session-agent
- To apply a SIP profile to a SIP interface:

1. In Superuser mode, type **configure terminal** and press Enter.

```
ORACLE# configure terminal  
ORACLE(configure)#
```

2. Type **session-router** and press Enter.

```
ORACLE(configure)# session-router  
ORACLE(session-router)#
```

3. Type **sip-interface** and press Enter.

```
ORACLE(session-router)# sip-interface  
ORACLE(sip-interface)#
```

4. **sip-profile**—Enter the name of SIP profile configuration that includes the forked-cac-bandwidth parameter configured.
5. Save your work.

## RADIUS Accounting Support

VSA 171, Acme-Session-Forked-Call-Id, is part of the Oracle RADIUS dictionary. The VSA is a string value, and appears as the header-value without the header parameters from the P-Multiring-Correlator header for a session identified as part of a forked call.

## Monitoring

Using the ACLI **show sipd forked** command, you can display the total number of forked sessions the Oracle® Enterprise Session Border Controller received and the total number it rejected. The Oracle® Enterprise Session Border Controller counts forked sessions when it receives a dialog-creating INVITE and is enabled to shared bandwidth. Further, it counts as forked all session with the P-Multiring-Correlator header.

```
ORACLE# show sipd forked
11:19:20-116
Forked Sessions          ---- Lifetime ----
                        Recent      Total  PerMax
Forked Sessions          0         0      0
Forked Sessions Rej     0         0      0
```

## Conditional Bandwidth CAC for Media Release

The Oracle® Enterprise Session Border Controller supports conditional call admission control (CAC) using the SIP profile configuration. With this feature enabled, you can allow the conditional admission of SIP calls that could potentially have their media released instead of risking the possible rejection of those calls due to internal bandwidth limits.

### About Conditional Bandwidth CAC for Media Release

The Oracle® Enterprise Session Border Controller performs bandwidth CAC for SIP per realm, for each Address of Record (AoR) or IP address. The system checks bandwidth limits based on the codecs listed in SDP. If a new SIP INVITE contains codecs in an SDP message that exceed bandwidth available for a given resource, the system rejects that INVITE. This check occurs both on the ingress and egress sides of a call, and both sides must have enough available resources to support the call for it to be admitted.

In the case of calls where media is released, the Oracle® Enterprise Session Border Controller does not count bandwidth consumed by the call. However, this exemption is not given until the media is actually released—and media release conditions are unknown at the time SIP INVITE is admitted. This is because an INVITE received on one side of the Oracle® Enterprise Session Border Controller is only media-released when that INVITE is routed back through the Oracle® Enterprise Session Border Controller as a hairpin or other multi-system media release. So there has to be enough bandwidth for the initial INVITE; otherwise, and even if the INVITE is a candidate for media release, it will be rejected.

When there is a significant volume of such calls—ones that are candidates for media release, but cannot be admitted because of CAC limits—it becomes important to admit them so long as they truly end in media release. This feature thus allows admission of SIP calls that might otherwise be rejected because of bandwidth limitations when the far-end of the call causes media to be released.

## Details and Conditions

This feature applies in a two system scenario. In order to track a call as a candidate for provisional media release, the access-side Oracle® Enterprise Session Border Controller adds a Require: header with an option tag to the INVITE or UPDATE message on egress. The option tag is configurable in the sip config option. The default is com.acmepacket.cac .

The following sections describe when the SIP INVITE or SIP UPDATE are:

- initially received by the Oracle® Enterprise Session Border Controller
- received by the second Oracle® Enterprise Session Border Controller

### INVITEs UPDATEs Initially Received By Oracle® Enterprise Session Border Controller

When the Oracle® Enterprise Session Border Controller first receives an INVITE or UPDATE message, it considers if it should be admitted provisionally or rejected outright due to CAC bandwidth constraints. If the INVITE or UPDATE is admitted provisionally, a Require: header is inserted on egress from the system.

The Oracle® Enterprise Session Border Controller inserts the Require header on egress under these conditions:

- It receives an INVITE / UPDATE with no or a non-matching Require header.
- The **egress conditional cac admit** parameter in the SIP profile on the egress realm, SIP interface, session agent is set to enabled in the egress realm
- The request would otherwise be rejected because of current bandwidth CAC limits in the ingress OR egress realms
- The call is a candidate for media-release in the ingress realm

A call is considered a candidate for media-release when the ingress realm has any of these parameters set to disabled:

- **mm-in-realm**
- **mm-in-network**
- **mm-same-ip**
- **mm-in-system**

### INVITEs UPDATEs Received by Second SBC

The second Oracle® Enterprise Session Border Controller receives the INVITE or UPDATE with the newly inserted Require: header. Standard SIP convention indicates that if the UAS receiving the request does not know how to handle the Require header, the request should be rejected.

When the following three conditions are met, the INVITE is permitted into the system for processing:

- The **ingress conditional cac admit** in the SIP profile on the ingress realm, SIP interface, session agent parameter is set to enabled

- The **con-cac-tag** sip config option is configured to the same value as the received Require header's option tag
- The call is a candidate for media-release

The call is considered a candidate for media-release on the second system (indicated by the **ingress conditional cac admit** parameter is set to enabled) when either the ingress or egress realms have any of these parameters set to disabled:

- **mm-in-realm**
- **mm-in-network**
- **mm-same-ip**
- **mm-in-system**

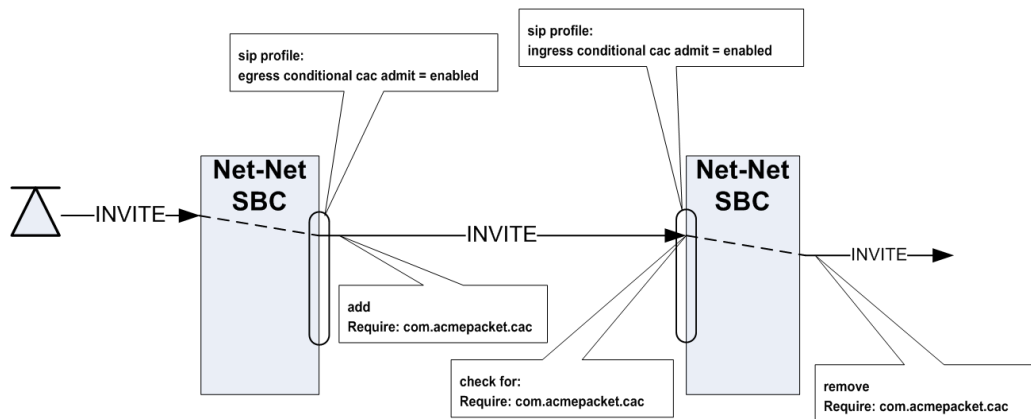
and the following parameter is set to enabled:

- **msm-release**

If the call, as received by the second system is not considered a candidate for release, the INVITE or UPDATE is failed with a 503 Insufficient Bandwidth message.

After the INVITE has been processed by the Oracle® Enterprise Session Border Controller, the Require: header is removed upon egress from the system.

The following diagram shows the two-system scenario:



## Conditional Admission with Per-user CAC

In the event that the per-user CAC feature is also being used, and per-user CAC bandwidth is exceeded, the Oracle® Enterprise Session Border Controller also uses this option tag mechanism. However, if the per-user CAC implementation does count bandwidth regardless of media-release, then the Oracle® Enterprise Session Border Controller will reject calls exceeding the per-user CAC limits when it receives them.

On the second system, when the per-user CAC feature is being used, the Oracle® Enterprise Session Border Controller will perform the same option tag mechanism based on if the **ingress conditional cac admit** parameter is enabled.

## Conditional Bandwidth CAC Configuration

You enable this feature by first configuring a SIP profile, and then applying the profile to any of these:

- realm
- SIP interface
- SIP session agent

## SIP Profile Configuration

The SIP profile is an element in the ACLI's **session-router** path, and you can configure multiple SIP profiles. Though this configuration contains additional parameters, you do not have to use them for the conditional bandwidth CAC for media release.

To configure a SIP profile:

1. In Superuser mode, type **configure terminal** and press Enter.

```
ORACLE# configure terminal
ORACLE(configure)#
```

2. Type **session-router** and press Enter.

```
ORACLE(configure)# session-router
ORACLE(session-router)#
```

3. Type **sip-profile** and press Enter.

```
ORACLE(session-router)# sip-profile
ORACLE(sip-profile)#
```

4. **name**—Enter a name for this SIP profile configuration. This parameter is blank by default, and it is required. You will need the SIP profile's **name** when you want to apply this profile to a realm, SIP interface, or SIP session agent.
5. **ingress-conditional-cac-admit**—Set this parameter to enabled to process an INVITE with a Require tag as received on an ingress interface. You can set this parameter to disabled if you do not want to use this feature on the ingress side. There is no default for this parameter.
6. **egress-conditional-cac-admit**—Set this parameter to enabled if you want to use conditional bandwidth CAC for media release for calls that are first received by this system. This results in option tags being inserted on the INVITE's egress if the conditional CAC conditions are met. You can set this parameter to disabled if you do not want to use this feature. There is no default for this parameter.
7. Save your work.

## Applying a SIP Profile

Once you have configured one or more SIP profiles, you can apply them to realms, SIP interfaces, and SIP session agents. As an example, this section shows you how

to apply a SIP profile to a SIP interface. But the parameter name is the same in these configurations:

- realm-config
- sip-interface
- session-agent

To apply a SIP profile to a realm:

1. In Superuser mode, type **configure terminal** and press Enter.

```
ORACLE# configure terminal  
ORACLE(configure)#
```

2. Type **session-router** and press Enter.

```
ORACLE(configure)# session-router  
ORACLE(session-router)#
```

3. Type **sip-interface** and press Enter.

```
ORACLE(session-router)# sip-interface  
ORACLE(sip-interface)#
```

4. **sip-profile**—Enter the name of SIP profile configuration you want to use for conditional bandwidth CAC for media release for this SIP interface. This value is blank by default, but it must be the value of the **name** parameter from a valid SIP profile.

5. Save your work.

## Configuring Require Header Option Tag

You may change the Require: header's option tag from the default `com.acmepacket.cac` to one of your own choosing. Remember that both systems' option tags must match exactly.

To configure the Require: header's option tag:

1. In Superuser mode, type **configure terminal** and press Enter.

```
ORACLE# configure terminal
```

2. Type **session-router** and press Enter to access the **session-router** path.

```
ORACLE(configure)# session-router
```

3. Type **sip-config** and press Enter. The system prompt changes to let you know that you can begin configuring individual parameters.

```
ORACLE(session-router)# sip-config
```

4. Use the ACLI **select** command so that you can work with the SIP configuration.

```
ORACLE(sip-config)# select
```



5. **options**—Set the options parameter by typing **+options**, a Space, the option name **con-cac-tag=** your-new-tag, and then press Enter.

```
ORACLE(sip-config)# options +con-cac-tag=com.test.cac
```

6. Save your work.

## About QoS Reporting

This section describes the Oracle® Enterprise Session Border Controller QoS reporting. QoS reporting provides you with real-time evaluation of network and route performance. It lets you contrast internal domain and external domain performance and facilitates SLA verification and traffic engineering. Oracle® Enterprise Session Border Controller QoS reporting is a measurement tool that collects statistics on Voice over IP (VoIP) call flows for SIP and H.323. To provide information, the Oracle® Enterprise Session Border Controller writes additional parameters to the Remote Authentication Dial-in User Service (RADIUS) call record. To provide information, the Oracle® Enterprise Session Border Controller writes additional parameters to the Remote Authentication Dial-in User Service (RADIUS) call record and Historical Data Recording (HDR) records.

You can use QoS statistics for SLA customer reporting, fault isolation, SLA verification, and traffic analysis. The Oracle® Enterprise Session Border Controller employs specialized hardware to inspect Real-Time Transport Protocol (RTP) and Real-Time Transport Control Protocol (RTCP) flows while maintaining wire-speed packet forwarding. QoS metrics are collected and reported on a per-session and per call-leg basis. These metrics are reported through real-time RADIUS records along with call accounting data.

## Overview

When a conversation is established between two endpoints, two flows are present in each direction:

- RTP flow carries traffic between endpoints with a predictable packet arrival rate. The packets headers have sequence numbers that are used to determine whether packets are missing or lost.
- RTCP flow carries information about the RTP flow and keeps a different record. The RTCP packets contain timestamps based on Network Time Protocol (NTP).

## QoS Statistics

Reported QoS data includes the following per-flow statistics:

- RTP and RTCP lost packets—Count of lost packets for both RTP and RTCP based on comparing the sequence numbers since the beginning of the call or the last context memory poll.
- RTP and RTCP average jitter—Incremental number of packets for both RTP and RTCP that have been used to generate the total and max jitter since the beginning of the call or the last context memory poll. The incremental accumulated jitter (in milliseconds) over all the packets received.

- RTP and RTCP maximum jitter—Maximum single jitter value (in milliseconds) for both RTP and RTCP from all the packets since the beginning of the call or the last context memory poll.
- RTCP average latency—Number of RTCP frames over which latency statistics have been accumulated and the incremental total of latency values reported since the beginning of the call or the last context memory poll.
- RTCP maximum latency—Highest latency value measured since the beginning of the call or the last context memory poll.
- RTP packet count
- RTP bytes sent and received
- RTCP lost packets—RTP lost packets reported in RTCP packets.
- RTP lost packets—Lost packets determined by monitoring RTP sequence numbers.
- R-Factor and MOS data—R-Factor and MOS data for the calling and called segments at the end of a session

## Incremental QoS Updates

The Interim Quality of Service (QoS) Update setting provides a more granular view of voice quality for troubleshooting by providing updates in 10 second increments. Without the Interim QoS Update setting selected, the Oracle® Enterprise Session Border Controller (E-SBC) probe provides an average Mean Opinion Score (MOS) only at the end of the call. A troubleshooter cannot see what occurred in other parts of the call. For example, suppose your employee or agent complains of poor voice quality that occurred in the middle of the call, but the average MOS score at the end of the call is 4.40. The troubleshooter might determine that the quality is acceptable, without knowing that the score in the middle of the call is 2.50. The Interim QoS Update setting provides MOS scores every 10 seconds, and with more granular data to help troubleshooting efforts.

Standalone Oracle Communications Operations Monitor (OCOM) probes, such as those that run OCOM software on Linux COTS servers, provide MOS scores in 10 second time chunks. With the Interim QoS Update parameter enabled, the data presented in OCOM looks similar whether coming from an E-SBC probe, OCOM probe, or both. To set voice quality sampling in 10 second increments, go to **system-config, comm-monitor** and enable **interim-qos-update**.

The E-SBC provides the following data, per ten second interval.

- start + end time of the stream
- IP 5-tuple information to correlate to SIP sessions
- correlation information if available
- SSRC of the RTP stream (to be checked)
- Codec type
- Codec change information (if codecs changed)

The E-SBC provides the following data, per ten second chunk.

- jitter
- min/avg/max

- packet loss
- # of packets received
- # of packets lost

The E-SBC delivers voice quality details, as follows:

- Per RTP stream.
- In 10 second increments, where the increment starts on a full minute based on the NTP clock (not the start time of the stream).
- Intervals not covering the full 10 seconds do not return a MOS value.

#### Note:

The comm-monitor VQ reports do not support disabling latching for a stream because the SBC does not have access to the stream source IP address. Latching may be globally disabled via the **media-manager** object or, dynamically disabled even when globally enabled in **media-manager**, for example, when a media for a session has been successfully negotiated but the source of the media flow changes.

## RADIUS Support

All the QoS statistics go into the RADIUS CDR. If a RADIUS client is configured on the Oracle® Enterprise Session Border Controller, any time a call occurs a record is generated and sent. Only Stop RADIUS records contain the QoS statistic information.

Only RADIUS Stop records contain QoS information. For non-QoS calls, the attributes appear in the record, but their values are always be zero (0). When you review the list of QoS VSAs, please note that “calling” in the attribute name means the information is sent by the calling party and called in the attribute name means the information is sent by the called party.

The following example shows a CDR that includes QoS data:

```
Wed Jun 13 18:26:42 2007
  Acct-Status-Type = Stop
  NAS-IP-Address = 127.0.0.100
  NAS-Port = 5060
  Acct-Session-Id = "SDgtu4401-c587a3aba59dcae68ec76cb5e2c6fe6f-
v3000i1"
  Acme-Session-Ingress-CallId =
"8EDDDC21D3EC4A218FF41982146844310xac1ec85d"
  Acme-Session-Egress-CallId = "SDgtu4401-
c587a3aba59dcae68ec76cb5e2c6fe6f-v3000i1"
  Acme-Session-Protocol-Type = "SIP"
  Calling-Station-Id = "9998776565"
<sip:9998776565@10.10.170.2:5060>;tag=2ed75b8317f"
  Called-Station-Id = "<sip:7143221099@10.10.170.2:5060>"
  Acct-Terminate-Cause = User-Request
  Acct-Session-Time = 7
  h323-setup-time = "18:24:36.966 UTC JUN 13 2007"
  h323-connect-time = "18:24:37.483 UTC JUN 13 2007"
```

```
h323-disconnect-time = "18:24:44.818 UTC JUN 13 2007"
h323-disconnect-cause = "1"
Acme-Session-Egress-Realm = "peer"
Acme-Session-Ingress-Realm = "core"
Acme-FlowID_FS1_F = "localhost:65544"
Acme-FlowType_FS1_F = "PCMA"
Acme-Flow-In-Realm_FS1_F = "core"
Acme-Flow-In-Src-Addr_FS1_F = 10.10.170.15
Acme-Flow-In-Src-Port_FS1_F = 49156
Acme-Flow-In-Dst-Addr_FS1_F = 10.10.170.2
Acme-Flow-In-Dst-Port_FS1_F = 31008
Acme-Flow-Out-Realm_FS1_F = "peer"
Acme-Flow-Out-Src-Addr_FS1_F = 10.10.130.2
Acme-Flow-Out-Src-Port_FS1_F = 21008
Acme-Flow-Out-Dst-Addr_FS1_F = 10.10.130.15
Acme-Flow-Out-Dst-Port_FS1_F = 5062
Acme-Calling-RTCP-Packets-Lost_FS1 = 0
Acme-Calling-RTCP-Avg-Jitter_FS1 = 15
Acme-Calling-RTCP-Avg-Latency_FS1 = 0
Acme-Calling-RTCP-MaxJitter_FS1 = 15
Acme-Calling-RTCP-MaxLatency_FS1 = 0
Acme-Calling-RTP-Packets-Lost_FS1 = 0
Acme-Calling-RTP-Avg-Jitter_FS1 = 3
Acme-Calling-RTP-MaxJitter_FS1 = 44
Acme-Calling-Octets_FS1 = 957
Acme-Calling-Packets_FS1 = 11
Acme-FlowID_FS1_R = "localhost:65545"
Acme-FlowType_FS1_R = "PCMA"
Acme-Flow-In-Realm_FS1_R = "peer"
Acme-Flow-In-Src-Addr_FS1_R = 10.10.130.15
Acme-Flow-In-Src-Port_FS1_R = 5062
Acme-Flow-In-Dst-Addr_FS1_R = 10.10.130.2
Acme-Flow-In-Dst-Port_FS1_R = 21008
Acme-Flow-Out-Realm_FS1_R = "core"
Acme-Flow-Out-Src-Addr_FS1_R = 10.10.170.2
Acme-Flow-Out-Src-Port_FS1_R = 31008
Acme-Flow-Out-Dst-Addr_FS1_R = 10.10.170.15
Acme-Flow-Out-Dst-Port_FS1_R = 49156
Acme-Called-RTCP-Packets-Lost_FS1 = 0
Acme-Called-RTCP-Avg-Jitter_FS1 = 13
Acme-Called-RTCP-Avg-Latency_FS1 = 0
Acme-Called-RTCP-MaxJitter_FS1 = 21
Acme-Called-RTCP-MaxLatency_FS1 = 0
Acme-Called-RTP-Packets-Lost_FS1 = 0
Acme-Called-RTP-Avg-Jitter_FS1 = 0
Acme-Called-RTP-MaxJitter_FS1 = 3
Acme-Called-Octets_FS1 = 77892
Acme-Called-Packets_FS1 = 361
Acme-Firmware-Version = "C5.0.0"
Acme-Local-Time-Zone = "Time Zone Not Set"
Acme-Post-Dial-Delay = 110
Acme-Primary-Routing-Number = "sip:7143221099@10.10.170.2:5060"
Acme-Ingress-Local-Addr = "10.10.170.2:5060"
Acme-Ingress-Remote-Addr = "10.10.170.15:5060"
Acme-Egress-Local-Addr = "10.10.130.2:5060"
```

```
Acme-Egress-Remote-Addr = "10.10.130.15:5060"  
Acme-Session-Disposition = 3  
Acme-Disconnect-Initiator = 2  
Acme-Disconnect-Cause = 16  
Acme-SIP-Status = 200  
Acme-Egress-Final-Routing-Number =  
"sip:7143221099@10.10.130.15:5060"  
Acme-CDR-Sequence-Number = 14  
Client-IP-Address = 172.30.20.150  
Acct-Unique-Session-Id = "0832b03cd3a290b3"  
Timestamp = 1181773602
```

## Configuring QoS

This section explains how to configure QoS. To generate QoS metrics, you need to enable QoS for the realm of the originating caller. The ingress realm determines whether QoS is turned on for a specific flow.

### Note:

If you run with QoS turned on one side only and disabled on the other you lose the ability to measure latency through the use of RTCP timestamps.

## QoS Configuration

To enable QoS:

1. In Superuser mode, type **configure terminal** and press Enter.

```
ORACLE# configure terminal
```

2. Type **media-manager** and press Enter.

```
ORACLE(configure)# media-manager
```

3. Type **realm-config** and press Enter. The system prompt changes to let you know that you can begin configuring individual parameters.

```
ORACLE(media-manager)# realm-config  
ORACLE(realm-config)#
```

4. **qos-enable**—Enable this parameter. The default value is **disabled**.

## Accounting Configuration for QoS

This section explains how to configure the account configuration and account servers so you can use the Oracle® Enterprise Session Border Controller in conjunction with external RADIUS (accounting) servers to generate CDRs and provide billing services requires.

## QoS Accounting Configuration

To configure the account configuration and account servers:

1. In Superuser mode, type **configure terminal** and press Enter.

```
ORACLE# configure terminal
```

2. Type **session-router** and press Enter.

```
ORACLE(configure)# session-router
```

3. Type **account-config** and press Enter. The system prompt changes to let you know that you can begin configuring individual parameters.

```
ORACLE(session-router)# account-config  
ORACLE(account-config)#
```

4. To configure account server parameters (a subset of the account configuration parameters, type **account-servers** and press Enter. The system prompt changes to let you know that you can begin configuring individual parameters.

```
ORACLE(account-config)# account-servers  
ORACLE(account-server)#
```

The following example shows both the account config and account server parameters.

```
account-config  
    hostname                acctserver1  
    port                    1813  
    strategy                Hunt  
    state                   enabled  
    max-msg-delay           60  
    max-wait-failover       100  
    trans-at-close          disabled  
    generate-start          OK  
    generate-interim        OK  
                             Reinvite-Response  
account-server  
    hostname                192.168.2.2  
    port                    1813  
    state                   enabled  
    min-round-trip          100  
    max-inactivity          100  
    restart-delay           100  
    bundle-vsa              enabled  
    secret                   testing  
    NAS-ID                   acme-accounting  
last-modified-date          2005-01-15 02:23:42
```

## Account Configuration

You set the account configuration parameters to indicate where you want accounting messages sent, when accounting messages you want them sent, and the strategy you want used to select account servers.

To configure the account configuration:

1. **hostname**—Enter a name for the host associated with the Oracle® Enterprise Session Border Controller in hostname (FQDN) format. The default value is the name of the local host.

The value you enter here must match the configured phy-interface's operation type **control** or **maintenance**, to determine on which network to send RADIUS messages.

2. **port**—Enter the number of the UDP port associated with the Oracle® Enterprise Session Border Controller from which RADIUS messages are sent. The default value is **1813**. The valid range is:

- Minimum—1025
- Maximum—65535

3. **strategy**—Indicate the strategy you want used to select the accounting servers to which the Oracle® Enterprise Session Border Controller will send its accounting messages. The default value is **hunt**. The following table lists the available strategies:

- **hunt**—Selects accounting servers in the order in which they are listed.  
If the first accounting server is online, working, and has not exceeded any of the defined constraints, all traffic is sent to it. Otherwise the second accounting server is selected. If the first and second accounting servers are offline or exceed any defined constraints, the third accounting server is selected. And so on through the entire list of configured servers
- **failover**—Uses the first server in the list of predefined accounting servers until a failure is received from that server. Once a failure is received, it moves to the second accounting server in the list until a failure is received. And so on through the entire list of configured servers.
- **roundrobin**—Selects each accounting server in order, distributing the selection of each accounting server evenly over time.
- **fastestrtt**—Selects the accounting server that has the fastest round trip time (RTT) observed during transactions with the servers (sending a record and receiving an ACK).
- **fewestpending**—Selects the accounting server that has the fewest number of unacknowledged accounting messages (that are in transit to the Oracle® Enterprise Session Border Controller).

4. **state**—Enable this parameter if you want the account configuration active on the system. Disable it if you do not want the account configuration active on the system. The default value is **enabled**. The valid values are:

- enabled | disabled

5. **max-msg-delay**—Indicate the length of time in seconds that you want the Oracle® Enterprise Session Border Controller to continue trying to send each

accounting message. During this delay, the Oracle® Enterprise Session Border Controller can hold a generic queue of 4096 messages. The default value is **60**.

- Minimum—zero (0)
- Maximum—4294967295

6. **max-wait-failover**—Indicate the maximum number of accounting messages the Oracle® Enterprise Session Border Controller can store its message waiting queue for a specific accounting server, before it is considered a failover situation.

Once this value is exceeded, the Oracle® Enterprise Session Border Controller attempts to send its accounting messages, including its pending messages, to the next accounting server in its configured list. The default value is **100**. The valid range is:

- Minimum—1
- Maximum—4096

7. **trans-at-close**—Disable this parameter if you do not want to defer the transmission of message information to the close of a session. Enable it if you want to defer message transmission. The default value is **disabled**. The valid values are:

- **disabled**—The Oracle® Enterprise Session Border Controller transmits accounting information at the start of a session (Start), during the session (Interim), and at the close of a session (Stop). The transmitted accounting information for a single session might span a period of hours and be spread out among different storage files.
- **enabled**—Limits the number of files on the Oracle® Enterprise Session Border Controller used to store the accounting message information for one session. It is easiest to store the accounting information from a single session in a single storage file.

8. **generate-start**—Select the type of SIP event that triggers the Oracle® Enterprise Session Border Controller to transmit a RADIUS Start message. The default value is **ok**. The valid values are:

- **start**—RADIUS Start message should not be generated
- **invite**—RADIUS Start message should be generated once the Oracle® Enterprise Session Border Controller receives a SIP session INVITE.
- **ok**—RADIUS Start message is generated once the Oracle® Enterprise Session Border Controller receives an OK message in response to an INVITE.

9. **generate-interim**—Retain the default value **reinvite-response** to cause the Oracle® Enterprise Session Border Controller to transmit a RADIUS Interim message. (A RADIUS Interim message indicates to the accounting server that the SIP session parameters have changed.)

To disable interim message generation, enter a pair of quotes as the value for this parameter. Otherwise, select one or more than one of the following values:

- **ok**—RADIUS Interim message is generated when the Oracle® Enterprise Session Border Controller receives an OK message in response to an INVITE.
- **reinvite**—RADIUS Interim message is generated when the Oracle® Enterprise Session Border Controller receives a SIP session reINVITE message.



- **reinvite-response**—RADIUS Interim message is generated when the Oracle® Enterprise Session Border Controller receives a SIP session reINVITE and responds to it (for example, session connection or failure).
  - **reinvite-cancel**—RADIUS Interim message is generated when the Oracle® Enterprise Session Border Controller receives a SIP session reINVITE, and the Reinvite is cancelled before the Oracle® Enterprise Session Border Controller responds to it.
10. **account-server**—Create the account server list to store accounting server information for the account configuration. Each account server can hold 100 accounting messages.

Account server entries are specific to the account configuration. They cannot be viewed or accessed for editing outside of the account configuration.

 **Note:**

RADIUS will not work if you do not enter one or more servers in a list.

## Account Server

You must establish the list of servers to which the Oracle® Enterprise Session Border Controller can send accounting messages.

1. **hostname**—Name of the host associated with the account server as an IP address.
2. **port**—Enter the number of the UDP port associated with the account server to which RADIUS messages are sent. The default value is **1813**. The valid range is:
  - Minimum—1025
  - Maximum—65535
3. **state**—Enable or disable the account servers on the system. The default value is **enabled**. The valid values are:
  - enabled | disabled
4. **min-round-trip**—Indicate the minimum round trip time of an accounting message in milliseconds. The default value is **250**. The valid range is:
  - Minimum—10
  - Maximum—5000

A round trip consists of the following:

The system sends an accounting message to the account server.

The account server processes this message and responds back to the Oracle® Enterprise Session Border Controller.

If the **fastest RTT** is the **strategy** for the account configuration, the value you enter here can be used to determine an order of preference (if all the configured account servers are responding in less than their minimum RTT).

5. **max-inactivity**—Indicate the length of time in seconds that you want the Oracle® Enterprise Session Border Controller with pending accounting messages to wait

when it has not received a valid response from the target account server. The default value is **60**. The valid range is:

- Minimum—1
- Maximum—300

Once this timer value is exceeded, the Oracle® Enterprise Session Border Controller marks the unresponsive **account server** as disabled in its failover scheme. When a server connection is marked as inactive, the Oracle® Enterprise Session Border Controller attempts to restart the connection and transfers pending messages to another queue for transmission. RADIUS messages might be moved between different **account servers** as servers become inactive or disabled.

6. **restart-delay**—Indicate the length of time in seconds you want the Oracle® Enterprise Session Border Controller to wait before resending messages to a disabled account server. The default value is **30**. The valid range is:
  - Minimum—1
  - Maximum—300
7. **bundle-vsa**—Retain the default **enabled** if you want the account server to bundle the VSAs within RADIUS accounting messages. Enter **disabled** if you do not want the VSAs to be bundled. (Bundling means including multiple VSAs within the vendor value portion of the message.) The valid values are:

- enabled | disabled

In a bundled accounting message, the RADIUS message type is vendor-specific, the length is determined for each individual message, and the vendor portion begins with a 4-byte identifier, and includes multiple vendor type, vendor length, and vendor value attributes.

8. **secret**—Enter the secret passed from the account server to the client in text format. Transactions between the client and the RADIUS server are authenticated by the shared secret; which is determined by the source IPv4 address of the received packet.
9. **NAS-ID**—Enter the NAS ID in text format (FQDN allowed). The account server uses this value to identify the Oracle® Enterprise Session Border Controller for the transmittal of accounting messages.

The remote server to which the **account configuration** sends messages uses at least one of two potential pieces of information for purposes of identification. The Oracle® Enterprise Session Border Controller accounting messages always includes in the first of these:

- Network Access Server (NAS) IP address (the IP address of the Oracle® Enterprise Session Border Controller's SIP proxy)
- **NAS ID** (the second piece of information) provided by this value. If you enter a value here, the NAS ID is sent to the remote server.

## White Lists for Managing Incoming SIP Headers and Parameters

By default, the Oracle® Enterprise Session Border Controller (E-SBC) ignores unknown SIP headers and URI parameters and passes them through. If you require

the E-SBC to accept only messages with headers and URI parameters complying with those supported by your internal equipment, you can use white lists to control unknown headers and parameters in request and response traffic. A white list is an approved list of entities for which your equipment provides particular privileges, access, and recognition. The E-SBC uses configured white list profiles to control and accept specific inbound SIP headers and URI parameters. When you configure this service, the E-SBC rejects requests not matching the configured profile, or removes the headers or URI parameters not specified in the configured profile.

White lists allow you to specify which SIP signaling messages you want to allow into your network and which messages to reject or delete. In the flow of SIP traffic to and from the E-SBC, the E-SBC matches any received request or response against the white list and rejects or deletes elements that do not match based on the actions specified in the white list configuration.

For responses, the E-SBC does not reject the message if a header or parameter is not found in the white list, even if the action is set to reject. Instead, the E-SBC deletes the offending parameter or header. In addition, if the message is a request of the method type ACK, PRACK, CANCEL or BYE, the E-SBC deletes all unmatched elements and does not reject the request, even if the action was configured to reject.

The white list verification performs for any method, but you can narrow the list to operate only on specific methods by defining them in the **methods** parameter of the configuration.

White list verification occurs when the E-SBC receives a request or response, but only after the E-SBC processes the inbound header manipulation rule (HMR), network management controls (NMC), Resource-Priority header (RPH), and monthly minutes checking.

The E-SBC responds to requests that with non-matching headers or parameters configured with an action of reject with a "403 Forbidden" response, by default. You can use a local-response event, **allowed-elements-profile-rejection**, to override the default reject status code and reason phrase.

The configured white list operates transparently on headers that contain multiple URIs or multiple header values within a single header (header values separated by a comma).

Parameter parsing operates only on parameters that it can identify. For parameters that cannot be parsed, for example an invalid URI (<sip:user@host.com&hp=val>), the E-SBC ignores this URI header parameter value of "hp" because it is not contained within a valid URI. Even though it might look like a URI header parameter, URI headers must come after URI parameters. Parameter matching does not occur if the headers and parameters in the URI are not well-formed. The E-SBC does not remove the parameter just because it cannot identify it.

## White List Learning

You can build a SIP header and URI parameter white list configuration by way of the learning capabilities of the Oracle® Enterprise Session Border Controller (E-SBC). When you enable learning mode on the E-SBC, it acquires the knowledge of the allowable headers and parameters currently coming into your network. The E-SBC collects the information about the headers received and the parameters that exist within each header. The system gathers the information until you disable the learning mode.

After you disable the learning mode, the E-SBC prompts you to enter a name for the allowed-elements-profile. If the profile name you entered does not exist, the captured information is written to the new allowed-elements-profile configuration. The administrator can then make changes to the configuration as applicable, save the configuration, and apply it to a logical remote entity.

The allowed-elements-profile does not contain any wildcard rules because the E-SBC cannot generate wildcard headers and parameters during the learning mode. The Methods object is populated from the list of methods seen by the E-SBC while learning.

 **Note:**

Oracle recommends running the learning mode during off-peak and light traffic periods. Learning mode can operate in conjunction with the execution of an allowed-elements-profile. The learning occurs just before any configured allowed-elements-profile configuration.

## White List Learning Configuration

The ACLI interface provides two commands that allow a Superuser to start and stop white list learning on the Oracle® Enterprise Session Border Controller:

Command	Description
start <argument> <options>	Starts white list learning on the Oracle® Enterprise Session Border Controller. You must specify the argument learn-allowed-elements with this command to start the learning operation. Optionally, you can use method, msg-type, and params after the argument.
stop <argument> <identifier>	Stops the white list learning on the Oracle® Enterprise Session Border Controller and writes the learned configuration to the editing configuration on the Oracle® Enterprise Session Border Controller where it is saved and activated. You must specify the argument learn-allowed-elements with this command to stop the learning operation. You must specify a unique identifier that identifies the allowed-elements-profile name. If you specify an identifier name that already exists as a profile, the ACLI returns an error message and prompts you to enter a different name.

You can use these commands at the top level ACLI prompt as required on the Oracle® Enterprise Session Border Controller.

You use these commands with the argument, learn-allowed-elements to start/stop the white list learning feature. By default, the learning mode creates a single rule-set under which all of the headers and their respective parameters are stored.

For example:

```
ORACLE# start learn-allowed-elements
Learning mode for allowed-elements-profile started.
```

In the above example, **start** is the top level ACLI command and **learn-allowed-elements** is the operation being performed.

Optionally, you can specify [method], [msg-type], and [params] in any order, for the Oracle® Enterprise Session Border Controller to learn specific rule-set elements from incoming messages and save them to the white list configuration.

For example:

```
ORACLE# start learn-allowed-elements method msg-type params
```

The **method** option creates a new rule-set per unique method. The **msg-type** option creates a new rule-set per unique message-type seen. The **params** option performs URI and header parsing to examine parameters within the message. By default, parameter parsing is disabled.

## Specify White List Rule Sets

- Enter Superuser mode.
- At the top level ACLI prompt, type `start learn-allowed-elements method msg-type params` and press Enter.

The system displays the following message:

```
Learning mode for allowed-elements-profile started.
```

### Note:

If you try to start a white list learning operation while another learning operation is already running, the following message displays:

```
Learning mode restarted without saving
Learning mode for allowed-elements-profile started.
```

## Start White List Learning

- Enter Superuser mode.
- At the top level ACLI prompt, type `start learn-allowed-elements`, and press Enter.

The system displays the following message:

```
Learning mode for allowed-elements-profile started.
```

## Stop White List Learning

- Enter Superuser mode.

If you specify an identifier name that already exists as a profile, the ACLI returns an error message and prompts you to enter a different name.

- At the top level ACLI prompt, type **stop learn-allowed-elements <list name>**, where <list name> is the allowed-elements-profile name, and press Enter.

The system displays the following message:

```
Learning mode for allowed-elements-profile stopped.
```

## Configure White Lists for SIP Header and URI Parameter Management

You can configure white list profiles that tell the Oracle® Enterprise Session Border Controller (E-SBC) to accept only inbound SIP headers and URI parameters that are configured in this white list. Using the **allowed-elements-profile** parameter, you can configure the settings for this parameter using the ACLI interface at **session-router, enforcement-profile**. Because the **enforcement-profile** object also pertains to session agents, realms, and SIP interfaces, you can also apply the enforcement profiles you configure to these entities, as well. (Use the ACLI interface at **session-router, session-agent, session-router, sip-interface, and media-manager, realm-config**.)

The following configuration example assumes that your baseline configuration passes SIP traffic, with the E-SBC in the role of an Access SBC. Use this procedure to configure a white list for the session router and optionally apply the specific white lists to the session agent and SIP interface, as well as the media manager realm configuration.

1. Access the **allowed-elements-profile** configuration element.

```
ORACLE# configure terminal
ORACLE(configure)# session-router
ORACLE(session-router)# allowed-elements-profile
ORACLE(allowed-elements-profile)#
```

2. **name**—Type a unique name for the white list you are creating. You can reference this name when configuring the enforcement-profiles for session-agent, SIP interface, and realm-config.

```
ORACLE(allowed-elements-profile)# name whitelist1
```

3. **description**—Type a description that explains the purpose of creating this white list. Valid values: Any alpha-numeric characters.

```
ORACLE(allowed-elements-profile)# description Basic Whitelist
```

4. Navigate to the **rule-sets** configuration element to specify the rules to match against specific incoming SIP headers and URI parameters.

```
ORACLE(allowed-elements-profile)# rule-sets
ORACLE(rule-sets)#
```

5. **unmatched-action**—Select the action for the E-SBC to perform when a header does not exist in an incoming message. Default: **reject**. Valid values:

- **reject**—Rejects all incoming messages that do not contain a header.
- **delete**—Deletes all incoming message that do not contain a header.

 **Note:**

This parameter applies to non-matching header names, only. (It does not apply to non-matching URI parameters.)

```
ORACLE(rule-sets)# unmatched action delete
```

6. **msg-type**—Specify the type of messages to which the E-SBC applies this white list configuration. Default: **any**. Valid values:

- **any**—Applies to all incoming messages.
- **request**—Applies to incoming REQUEST messages, only.
- **response**—Applies to incoming RESPONSE messages, only.

```
ORACLE(rule-sets)# msg-type any
```

7. **methods**—Type the packet methods, separated by a comma, for which this white list is enforced. Packet methods include, INVITE, OPTIONS, ACK, BYE, and so on. If this field is left blank, the white list applies to all packet methods. You can type up to a maximum of 255 characters.

```
ORACLE(rule-sets)# methods INVITE,ACK,BYE
```

8. **logging**—Select whether or not an incoming message is written to the **matched.log** file, when the message contains an element not specified in the white list. Default: disabled. Valid values: enabled | disabled.
9. Navigate to **allowed-header-rule**—Configure multiple parameters as part of the white list to make up the header rule that the E-SBC allows from incoming messages. You can configure an unlimited number of header-rules, and they do not need to be in any specific order. The system prompt changes to let you know that you can begin configuring individual parameters for this object.

```
ORACLE(rule-set)# header-rule
ORACLE(allowed-header-rule)#
```

- 10. header-name**—Type the name of the header in the white list that you want the E-SBC to allow from incoming messages. The text is not case sensitive and supports abbreviated forms of header names. For example, “Via”, “via”, or “v” all match against the same header. A header name of “request-uri” refers to the request URI of requests, while a header name of \* applies to any header-type not matched by any other header-rule. Default: \*. The default value allows header-rules for commonly known headers that remove unknown parameters, but leave unknown headers alone.

```
ORACLE(allowed-header-rule)# header-name Contact
```

- 11. unmatched-action**—Select the action for the E-SBC to perform when an incoming header’s parameters do not match the relevant allowed parameters specified for this header-name. Default: reject. Valid values:
- **reject**—Rejects all incoming messages that have header parameters that do not match the parameters specified in this header-name.
  - **delete**—Deletes all incoming messages that have header parameters that do not match the parameters specified in this header-name.

 **Note:**

This parameter applies to non-matching header names only (not to non-matching URI parameters).

```
ORACLE(allowed-header-rule)# unmatched-action delete
```

- 12. allow-header-param**—Type the header parameter that the E-SBC allows from the headers in incoming messages. You can enter up to 255 characters, including a comma (,), semi-colon (;), equal sign (=), question mark (?), at-symbol (@), backslash (\), or plus sign (+). Default: \*, which allows all header parameters to pass through. If you leave this field empty, no header parameters are allowed.

```
ORACLE(allowed-header-rule)# allow-header-param *
```

- 13. allow-uri-param**—Type the URI parameter that the E-SBC allows from the headers in incoming messages. You can enter up to 255 characters, including a comma (,), semi-colon (;), equal sign (=), question mark (?), at-symbol (@), backslash (\), or plus sign (+). Default: \*, which allows all URI parameters to pass through. If you leave this field empty, no URI parameters are allowed.

```
ORACLE(allowed-header-rule)# allow-uri-param *
```

- 14. allow-uri-user-param**—Type the URI user parameter that the E-SBC allows from the headers in incoming messages. You can enter up to 255 characters, including a comma (,), semi-colon (;), equal sign (=), question mark (?), at-symbol (@), backslash (\), or plus sign (+). Default: \*, which allows all URI user parameters to pass through. If you leave this field empty, no URI user parameters are allowed.

```
ORACLE(allowed-header-rule)# allow-uri-user-param *
```



15. **allow-uri-header-name**—Type the URI header name that the E-SBC allows from the headers in incoming messages. You can enter up to 255 characters, including a comma (,), semi-colon (;), equal sign (=), question mark (?), at-symbol (@), backslash (\), or plus sign (+). Default: \*, which allows all URI header name parameters to pass through. If you leave this field empty, no URI header name parameters are allowed.

```
ORACLE(allowed-header-rule)# allow-uri-header-name *
```

16. Save your work using the **done** command.

## The matched.log File

The **matched.log** file contains information about the timestamp, the received and sent E-SBC network-interface, the IP address and port from which an incoming message was received, and which peer IP address and port it was received from or sent to. The log also specifies the request URI (if applicable), and the From, To, and Contact headers in the message, as well as which rule triggered the log action.

The following example shows the log output of the **matched.log** file:

```
Dec 17 14:17:54.526 On [0:0]192.168.1.84:5060 sent to 192.168.1.60:5060
allowed-elements-profile[whitelist1(reject)]
INVITE sip:service@192.168.1.84:5060 SIP/2.0
From: sipp <sip:+2125551212@192.168.1.60:5060>;tag=3035SIPpTag001
To: sut <sip:service@192.168.1.84>
Contact: sip:sipp@192.168.1.60:5060
```

## Rejected Messages Monitoring

White lists control whether or not the Oracle® Enterprise Session Border Controller (E-SBC) accepts unknown headers and URI parameters in incoming request and response traffic. When the E-SBC rejects messages according to the white list, the system logs the rejected messages a file called “matched.log,” if you set logging to enabled. You can open and view the log when you want to view the rejected messages.

In addition to sending rejected messages to the “matched.log” file, the system sends rejected messages through a burst counter that keeps track of the number of messages rejected. You can enter the **show sipd** command to display the number of rejected messages. The counter is titled Rejected Message.

## Configuration Exception

In certain circumstances, the Oracle® Enterprise Session Border Controller (E-SBC) ignores specific parameters in incoming Request-URI messages and automatically adds header-rules.

In a Request-URI, all parameters are URI parameters and URI headers are not allowed. If you define values for the “allow-header-param”, “allow-uri-header-name”, and “allow-uri-param”, the E-SBC ignores these parameters in the Request-URI. Instead, the E-SBC automatically adds header-rules for incoming “Via”, “From”, “To”, “Call-ID”, and “CSeq” messages. These are explicit header rules that you cannot delete. Each header-rule in a Request-URI includes parameters populated with the

value of \*. If required, you can change the header-rule parameter values with the values identified in the following table.

Header Rule	Applicable Parameter	Required Value(s)
Via	allow-header-param	<ul style="list-style-type: none"> <li>• branch</li> <li>• received</li> <li>• rport</li> </ul>
From	allow-header-param	<ul style="list-style-type: none"> <li>• tag</li> </ul>
To	allow-header-param	<ul style="list-style-type: none"> <li>• tag</li> </ul>
Call-ID	allow-header-param	No restrictions
CSeq	allow-header-param	No restrictions

## Verify White List Configuration

After you configure and save a white list on the Oracle® Enterprise Session Border Controller (E-SBC), you can use the **verify-config** command at the top level prompt to verify the saved configuration: For example:

```
ORACLE# verify-config
```

The **verify-config** command checks for errors in the E-SBC configuration. White list configuration errors specifically related to the enforcement-profile object also display in the output of this command when applicable. The white list configuration errors display if any references to the allowed-element-profiles are improperly configured. If errors exist, the system displays the following message:

```
-----
ERROR: enforcement-profile [ep] contains a reference to an allowed-
enforcement-profile [abc] that does not exist
-----
```

# 11

## Static Flows

### Static Flows

This chapter describes the Oracle® Enterprise Session Border Controller's static flows feature. Static flows allow network traffic that matches specific criteria to pass through the Oracle® Enterprise Session Border Controller unrestricted. Static flows are unidirectional. This feature lets you steer traffic toward a particular destination based on its original characteristics. Static flows can range from being widely accessible to very restrictive, depending on the values you establish. Static flows are used for transporting a variety of signaling messages through the Oracle® Enterprise Session Border Controller to achieve vendor interoperability. The Oracle® Enterprise Session Border Controller supports the following types of Static flows:

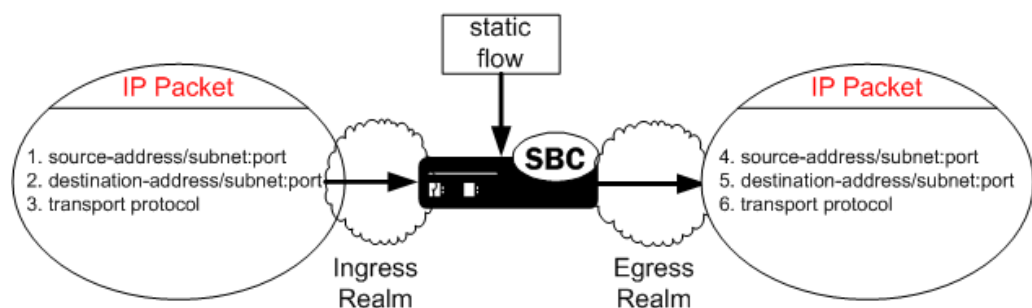
- IPv6 to IPv6 flows
- IPv4 to IPv6 flows
- IPv4 to IPv4 flows

#### Note:

Traffic that traverses the Oracle® Enterprise Session Border Controller in two directions, such as ICMP requests and responses, requires static flows configured for both directions.

### About Static Flows

The static flow element explicitly writes entries into the IP routing table. These entries are persistent and are not deleted as calls are set up and broken down. Refer to the following diagram to understand how a static flow works.



A static flow entry watches for traffic with specific criteria on a specified ingress realm; that traffic consists of the following criteria:

- The packet enters the Oracle® Enterprise Session Border Controller on the specified ingress realm.
- The packet contains matching source address, subnet, and port criteria, field 1.
- The packet contains matching destination address, subnet, and port criteria, field 2.
- The packet contains a matching transport protocol, field 3.

If the above conditions are met, then the Oracle® Enterprise Session Border Controller does the following:

- The IPv4 traffic is forwarded out of the Oracle® Enterprise Session Border Controller on the specified egress realm.
- The configured source address, subnet, and port criteria are written to the exiting packet, field 4.
- The configured destination address, subnet, and port criteria are written to the exiting packet, field 5.
- The original transport protocol and its contents remain unchanged as the packet exits into the egress realm.

## IPv6 / IPv4 Translations

The ingress or egress traffic type, whether IPv4 or IPv6, must match the configuration of the realm where attached, as **in-realm-id** or **out-realm-id**. A realm and IP version configuration mismatch results in an error message and log entry at error level.

IPv6 to IPv4 flows exit the Oracle® Enterprise Session Border Controller with the prefix `::ffff:0:0:0/96`. They may be written as `::ffff:0:a.b.c.d`, where a.b.c.d refers to an IPv6-enabled node.

While IPv4 addresses can be translated into IPv6 addresses, IPv6 address can not be translated to IPv4.

## About Network Address Translation ALG

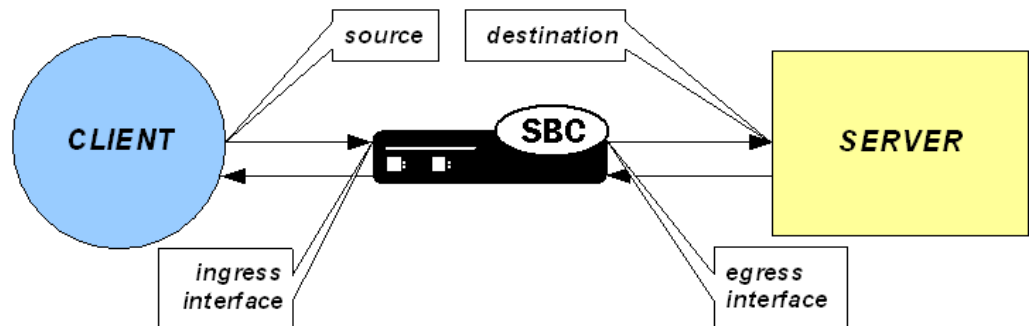
The Oracle® Enterprise Session Border Controller supports Network Address and Port Translation (NAPT) and Trivial File Transfer Protocol (TFTP) functionality over media interfaces, collectively known as Network Address Translation (NAT) ALG. The NAT ALG feature is implemented as an extension of the static flow feature.

In some applications, the Oracle® Enterprise Session Border Controller acts as an intermediary device, positioned between endpoints located in an access network and application servers located in a backbone network. The Oracle® Enterprise Session Border Controller's NAT ALG feature enables these endpoints to use non-VoIP protocols, such as TFTP and HTTP, to access servers in a provider's backbone network to obtain configuration information.

NAT ALG parameters support RTC and can be dynamically reconfigured. The active NAT ALG configuration can be replicated on the standby SD in an HA configuration.

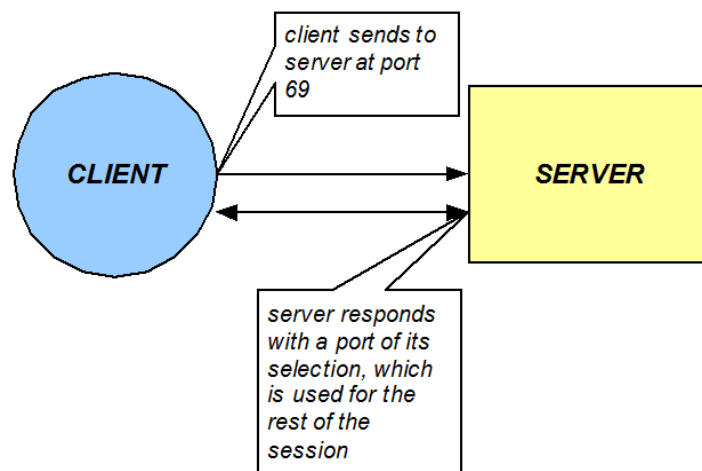
## NAPT

The NAPT ALG functionality is the same as that found in commercially available enterprise and residential NAT devices. The Oracle® Enterprise Session Border Controller watches for packets entering a media interface that match source and destination IP address criteria. Matching packets are then redirected out of the egress interface, through a specified port range, toward a destination address.

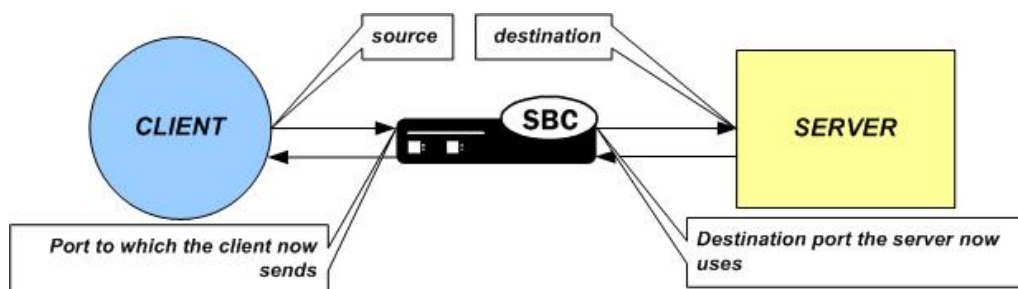


## TFTP

The TFTP ALG is implemented as an extension of the NAT ALG. It works slightly differently than traditional NAPT. In a TFTP session, the first packet is sent from a source endpoint to port 69 on the TFTP server. The TFTP server responds from another port. This port, from which the TFTP response originates, is used for the remainder of the TFTP session.



To act as a TFTP ALG, the Oracle® Enterprise Session Border Controller will latch on the first return packet from the server to learn the server's port. The ingress-side destination port of the Oracle® Enterprise Session Border Controller is changed to reflect the new communications port for the TFTP session. This process takes place without any user intervention.



## Configuring Static Flows

This section explains how to configure static flows. It also provides sample configurations for your reference. You can configure static flows with or without NAT ALG. If you configure static flows with NAT ALG, you can choose NAPT or TFTP as the ALG type.

### Basic Static Flow Configuration Overview

This section outlines the basic static flow configuration, without NAT ALG. You configure static flows by specifying ingress traffic criteria followed by egress re-sourcing criteria.

When configuring static flows, the following conventions are used:

- An address of 0.0.0.0 matches all addresses. This token is used as the wildcard for both IPv4 and IPv6 static flows
  - Enclose the address portion of an IPv6 address in brackets: [7777::11]/64:5000
  - Not specifying a port implies all ports.
  - Not specifying a subnet mask implies a /32, matching for all 32 bits of the IPv4 address, or a /128 matching for all 128 bits of the IPv6 address.
1. Set the static flows' incoming traffic-matching criteria. First set the ingress realm where you expect to receive traffic that will be routed via a static flow. Second, set the traffic's source IP address, source subnet, and source port or port range criteria. Third, set the traffic's destination IP address, destination subnet, and destination port criteria. This is usually an external address on the Oracle® Enterprise Session Border Controller.
  2. Set the criteria that describes how traffic should be translated on the egress side of the Oracle® Enterprise Session Border Controller. First set the egress realm where you want to send the traffic to be routed by this static flow. Second, set the traffic's source IP address, source subnet, and source port or port range criteria. This is usually an external address on the Oracle® Enterprise Session Border Controller. Third, set the traffic's destination IP address, destination subnet, and destination port criteria.
  3. Set the protocol this static flow entry acts upon. This type of packet, as the payload of the IP packet, remains untouched as traffic leaves the Oracle® Enterprise Session Border Controller. Specifying a layer 4 protocol here acts as another criteria to filter against for this static flow.

The combination of entries in the ingress realm, ingress source address, ingress destination address, and protocol fields must be unique. For bidirectional traffic, you need to define a separate static flow in the opposite direction.

## Static Flow Configuration

This section describes how to configure the **static-flow** element using the ACLI.

The ingress IP address criteria is set first. These parameters are applicable to traffic entering the ingress side of the Oracle® Enterprise Session Border Controller .

- **in-realm-id**—The access realm, where endpoints are located.
- **in-source**—The source network in the access realm where the endpoints exist. This parameter is entered as an IP address and netmask in slash notation to indicate a range of possible IP addresses.
- **in-destination**—The IP address and port pair where the endpoints send their traffic. This is usually the IP address and port on a Oracle® Enterprise Session Border Controller interface that faces the access realm.

The egress IP address criteria is entered next. These parameters determine how traffic is re-sourced as it leaves the Oracle® Enterprise Session Border Controller and enters the backbone network.

- **out-realm-id**—The backbone realm, where servers are located.
- **out-source**—The IP address on the interface of the Oracle® Enterprise Session Border Controller where traffic exits the Oracle® Enterprise Session Border Controller into the backbone realm. Do not enter a port for this parameter.
- **out-destination**—The IP address and port pair destination of the traffic. This is usually a server in the backbone realm.
- **protocol**—The protocol associated with the static flow. The protocol you choose must match the protocol in the IPv4 header. Valid entries are TCP, UDP, ICMP, ALL.

The type of NAT ALG, if any.

- **alg-type**—The type of NAT ALG. Set this to NAPT, TFTP, or none.

The port range for port re-sourcing as traffic affected by the NAT ALG exits the egress side of the Oracle® Enterprise Session Border Controller is set next. (Not applicable if **alg-type** is set to none.)

- **start-port**—The starting port the NAT ALG uses as it re-sources traffic on the egress side of the Oracle® Enterprise Session Border Controller .
- **end-port**—The ending port the NAT ALG uses as it re-sources traffic on the egress side of the Oracle® Enterprise Session Border Controller .

The flow timers are set next. (Not applicable if **alg-type** is set to none.)

- **flow-time-limit**—Total session time limit in seconds. The default is 0; no limit.

### Note:

Note that the static flow-time-limit must have a value larger than initial-guard-timer and subsq-guard-timer for static flows.

- **initial-guard-timer**—Initial flow guard timer for an ALG dynamic flow in seconds. The default is 0; no limit.
- **susbsq-guard-timer**—Subsequent flow guard timer for an ALG dynamic flow in seconds. The default is 0; no limit.

Finally, you can set the optional bandwidth policing parameter for static flows (with or without NAT ALG applied).

- **average-rate-limit**—Sustained rate limit in bytes per second for the static flow and any dynamic ALG flows. The default is 0; no limit.  
To configure static flow:

1. In Superuser mode, type **configure terminal** and press Enter.

```
ORACLE# configure terminal
```

2. Type **media-manager** and press Enter to access the **media-manager** path.

```
ORACLE(configure)# media-manager
```

3. Type **static-flow** and press Enter. The system prompt changes to let you know that you can begin configuring individual parameters.

```
ORACLE(media-manager)# static-flow
```

From this point, you can configure media policing parameters.

4. **in-realm-id**—Enter the ingress realm or interface source of packets to match for static flow translation. This in-realm-id field value must correspond to a valid identifier field entry in a **realm-config**. This is a required field. Entries in this field must follow the Name Format.
5. **in-source**—Enter the incoming source IP address and port of packets to match for static flow translation. IP address of 0.0.0.0 matches any source address. Port 0 matches packets received on any port. The port value has no impact on system operation if either ICMP or ALL is the selected protocol. This parameter takes the format:

```
in-source <ip-address>[:<port>]
```

The default value is **0.0.0.0**. The valid port range is:

- Minimum—0
- Maximum—65535

6. **in-destination**—Enter the incoming destination IP address and port of packets to match for static-flow translation. An IP address of 0.0.0.0 matches any source address. Port 0 matches packets received on any port. The port value has no impact on system operation if either ICMP or ALL is the selected protocol. The in-source parameter takes the format:

```
in-destination <ip-address>[:<port>]
```

The default value is **0.0.0.0**. The valid port range is:

- Minimum—0
- Maximum—65535



7. **out-realm-id**—Enter the defined realm where traffic leaving this NAT ALG exits the Oracle® Enterprise Session Border Controller .
8. **out-source**—Enter the egress IPv4 address. This is the IPv4 address of the network interface where traffic subject to the NAT ALG you are defining leaves the Oracle® Enterprise Session Border Controller . Do not enter a port number for this parameter. The default value is **0.0.0.0**.
9. **out-destination**—Enter the IPv4 address and port number of the server or other destination to which traffic is directed. The default value is **0.0.0.0**. The valid port range is:
  - Minimum—0
  - Maximum—65535
10. **protocol**—Enter the protocol this NAT ALG acts upon. The default value is **UDP**. The valid values are:
  - TCP | UDP | ICMP | ALL
11. **alg-type**—Enter the type of NAT ALG to use. The default value is **none**. The valid values are:
  - **none**—No dynamic ALG functionality
  - **NAPT**—Configure as NAPT ALG
  - **TFTP**—Configure as TFTP ALG
12. **start-port**—Enter the beginning port number of the port range that the Oracle® Enterprise Session Border Controller allocates on the egress side for flows that this NAT ALG redirects. The default value is **0**. The valid range is:
  - Minimum—0, 1025
  - Maximum—65535
13. **end-port**—Enter the ending port number of the port range that the Oracle® Enterprise Session Border Controller allocates on the egress side for flows that this NAT ALG redirects. The default value is **0**. The valid range is:
  - Minimum—0, 1025
  - Maximum—65535
14. **flow-time-limit**—Enter the total time limit for a flow in seconds. A value of **0** means there is no limit. The valid range is:
  - Minimum—0
  - Maximum—999999999
15. **initial-guard-timer**—Enter the initial guard timer value in seconds. A value of **0** means there is no limit. The valid range is:
  - Minimum—0
  - Maximum—999999999
16. **subsq-guard-timer**—Enter the subsequent guard timer value in seconds. A value of **0** means there is no limit. The valid range is:
  - Minimum—0
  - Maximum—999999999

**17. average-rate-limit**—Enter a maximum sustained rate limit in bytes per second. The default value is **0**; no limit. The valid range is:

- Minimum—0
- Maximum—12500000

The following example shows a **static-flow** configuration element configured for a NAT ALG.

```
in-realm-id      access
in-source       172.16.0.0/16
in-destination  172.16.1.16:23
out-realm-id    backbone
out-source      192.168.24.16
out-destination 192.168.24.95:23
protocol        TCP
alg-type        NATP
start-port      11000
end-port        11999
flow-time-limit 0
initial-guard-timer 60
subsq-guard-timer 60
average-rate-limit 0
```

## Example Configuration: Bidirectional Static Flows

The configuration lines below present the configuration of two example static flows to be used for ICMP to a specific host through the Oracle® Enterprise Session Border Controller.

The following lines present the example configuration for the access to core side.

```
static-flow
in-realm-id access
description
in-source 0.0.0.0
in-destination 10.1.215.63
out-realm-id core
out-source 10.2.214.63
out-destination 10.2.214.51
protocol ICMP
alg-type none
start-port 0
end-port 0
flow-time-limit 0
initial-guard-timer 60
subsq-guard-timer 60
average-rate-limit 0
```

The following lines present the example configuration for the core to access side.

```
static-flow
in-realm-id core
description
```

```
in-source 10.2.214.51
in-destination 10.2.214.63
out-realm-id access
out-source 10.1.215.63
out-destination 0.0.0.0
protocol ICMP
alg-type none
start-port 0
end-port 0
flow-time-limit 0
initial-guard-timer 60
subsq-guard-timer 60
average-rate-limit 0
```

# 12

## High Availability Nodes

### High Availability Nodes

Oracle® Enterprise Session Border Controllers can be deployed in pairs to deliver high availability (HA). Two Oracle® Enterprise Session Border Controllers operating in this way are called an HA node. Over the HA node, media and call state are shared, keeping sessions/calls from being dropped in the event of a failure.

Two Oracle® Enterprise Session Border Controllers work together in an HA node, one in active mode and one in standby mode.

- The active Oracle® Enterprise Session Border Controller checks itself for internal process and IP connectivity issues. If it detects that it is experiencing certain faults, it will hand over its role as the active system to the standby Oracle® Enterprise Session Border Controller in the node.
- The standby Oracle® Enterprise Session Border Controller is the backup system, fully synchronized with active Oracle® Enterprise Session Border Controllers session status. The standby Oracle® Enterprise Session Border Controller monitors the status of the active system so that, if needed, it can assume the active role without the active system having to instruct it to do so. If the standby system takes over the active role, it notifies network management using an SNMP trap.

In addition to providing instructions for how to configure HA nodes and their features, this chapter explains how to configure special parameters to support HA for all protocols.

### Establishing Active and Standby Roles

Oracle® Enterprise Session Border Controller s establish active and standby roles in the following ways.

- If a Oracle® Enterprise Session Border Controller boots up and is alone in the network, it is automatically the active system. If you then pair a second Oracle® Enterprise Session Border Controller with the first to form an HA node, then the second system to boot up will establish itself as the standby automatically.
- If both Oracle® Enterprise Session Border Controller s in the HA node boot up at the same time, they negotiate with each other for the active role. If both systems have perfect health, then the Oracle® Enterprise Session Border Controller with the lowest HA rear interface IPv4 address will become the active Oracle® Enterprise Session Border Controller . The Oracle® Enterprise Session Border Controller with the higher HA rear interface IPv4 address will become the standby Oracle® Enterprise Session Border Controller .
- If the rear physical link between the two Oracle® Enterprise Session Border Controller s fails during boot up or operation, both will attempt to become the

active Oracle® Enterprise Session Border Controller . In this case, processing will not work properly.

## Health Score

HA Nodes use health scores to determine their active and standby status. Health scores are based on a 100-point system. When a Oracle® Enterprise Session Border Controller is functioning properly, its health score is 100.

Generally, the Oracle® Enterprise Session Border Controller with the higher health score is active, and the Oracle® Enterprise Session Border Controller with the lower health score is standby. However, the fact that you can configure health score thresholds builds some flexibility into using health scores to determine active and standby roles. This could mean, for example, that the active Oracle® Enterprise Session Border Controller might have a health score lower than that of the standby Oracle® Enterprise Session Border Controller , but a switchover will not take place because the active Oracle® Enterprise Session Border Controller 's health score is still above the threshold you configured.

Alarms are key in determining health score. Some alarms have specific health score value that are subtracted from the Oracle® Enterprise Session Border Controller 's health score when they occur. When alarms are cleared, the value is added back to the Oracle® Enterprise Session Border Controller 's health score.

You can look at a Oracle® Enterprise Session Border Controller 's health score using the ACLI **show health** command.

## State Transitions

Oracle® Enterprise Session Border Controllers can experience a series of states as they become active or become standby.



### Note:

Packet processing only occurs on an active Oracle® Enterprise Session Border Controller .

State	Description
Initial	When the Oracle® Enterprise Session Border Controller is booting.
Becoming Active	When the Oracle® Enterprise Session Border Controller has negotiated to become the active system, but is waiting the time that you set to become fully active. Packets cannot be processed in this state.
Active	When the Oracle® Enterprise Session Border Controller is handling all media, signaling, and configuration processing.
Relinquishing Active	When the Oracle® Enterprise Session Border Controller is giving up its Active status, but before it has become standby. This state is very brief.
Becoming Standby	When the Oracle® Enterprise Session Border Controller is becoming the standby system but is waiting to become fully synchronized. It remains in this state for the period of time you set in the becoming-standby-time parameter, or until it is fully synchronized.
Standby	When the Oracle® Enterprise Session Border Controller is fully synchronized with its active system in the HA node.

---

State	Description
OutOfService	When the Oracle® Enterprise Session Border Controller cannot become synchronized in the period of time you set in the becoming-standby-time parameter.

---

## State Transition Sequences

When the active Oracle® Enterprise Session Border Controller assumes its role as the active system, but then changes roles with the standby Oracle® Enterprise Session Border Controller to become standby, it goes through the following sequence of state transitions:

- Active
- RelinquishingActive
- BecomingStandby

- Standby

When the standby Oracle® Enterprise Session Border Controller assumes its role as the standby system, but then changes roles with the active Oracle® Enterprise Session Border Controller to become active, it goes through the following sequence of state transitions:

- Standby
- BecomingActive
- Active

## HA Features

HA nodes support configuration checkpointing, which you are required to set up so that the configurations across the HA node are synchronized. In addition, you can set up the following optional HA node features:

- Multiple rear interface support
- Gateway link failure detection and polling

## Multiple Rear Interfaces

Configuring your HA node to support multiple rear interfaces eliminates the possibility that either of the rear interfaces you configure for HA support will become a single point of failure. Using this feature, you can configure individual Oracle® Enterprise Session Border Controller s with multiple destinations on the two rear interfaces, creating an added layer of failover support.

When you configure your HA node for multiple rear interface support, you can use last two rear interfaces (wancom1 and wancom2) for HA—the first (wancom0) being used for Oracle® Enterprise Session Border Controller management. You can connect your Oracle® Enterprise Session Border Controller s using any combination of wancom1 and wancom2 on both systems. Over these rear interfaces, the Oracle® Enterprise Session Border Controller s in the HA node share the following information:

- Health

- Media flow
- Signaling
- Configuration

For example, if one of the rear interface cables is disconnected or if the interface connection fails for some other reason, all health, media flow, signaling, and configuration information can be checkpointed over the other interface.

Health information is checkpointed across all configured interfaces. However, media flow, signaling, and configuration information is checkpointed across one interface at a time, as determined by the Oracle® Enterprise Session Border Controller's system HA processes.

## Configuration Checkpointing

During configuration checkpointing, all configuration activity and changes on one Oracle® Enterprise Session Border Controller are automatically mirrored on the other. Checkpointed transactions include adding, deleting, or modifying a configuration on the active Oracle® Enterprise Session Border Controller. This means that you only need to perform configuration tasks on the active Oracle® Enterprise Session Border Controller because the standby system will go through the checkpointing process and synchronize its configuration to reflect activity and changes.

Because of the way configuration checkpointing works, the ACLI **save-config** and **activate-config** commands can only be used on the active Oracle® Enterprise Session Border Controller.

- When you use the ACLI **save-config** command on the active Oracle® Enterprise Session Border Controller, the standby Oracle® Enterprise Session Border Controller learns of the action and updates its own configuration. Then the standby Oracle® Enterprise Session Border Controller saves the configuration automatically.
- When you use the ACLI **activate-config** command on the active Oracle® Enterprise Session Border Controller, the standby Oracle® Enterprise Session Border Controller learns of the action and activates its own, updated configuration.

The ACLI **acquire-config** command is used to copy configuration information from one Oracle® Enterprise Session Border Controller to another.

## Gateway Link Failure Detection and Polling

In an HA node, the Oracle® Enterprise Session Border Controllers can poll for and detect media interface links to the gateways as they monitor ARP connectivity. The front gateway is assigned in the network interface configuration, and is where packets are forwarded out of the originator's LAN.

The Oracle® Enterprise Session Border Controller monitors connectivity using ARP messages that it exchanges with the gateway. The Oracle® Enterprise Session Border Controller sends regular ARP messages to the gateway in order to show that it is still in service; this is referred to as a heartbeat message. If the Oracle® Enterprise Session Border Controller deems the gateway unreachable for any of the reasons discussed in this section, a network-level alarm is generated and an amount you configure for this fault is subtracted from the system's health score.

The Oracle® Enterprise Session Border Controller generates a gateway unreachable network-level alarm if the Oracle® Enterprise Session Border Controller has not received a message from the media interface gateway within the time you configure for a heartbeat timeout. In this case, The Oracle® Enterprise Session Border Controller will send out ARP requests and wait for a reply. If no reply is received after resending the set number of ARP requests, the alarm remains until you clear it. The health score also stays at its reduced amount until you clear the alarm.

When valid ARP requests are once again received, the alarm is cleared and system health scores are increased the appropriate amount.

You can configure media interface detection and polling either on a global basis in the SD HA nodes/redundancy configuration or on individual basis for each network interface in the network interface configuration.

 **Note:**

To improve the detection of link failures, the switchport connected to the NIU should have Spanning Tree disabled. Enabling Spanning Tree stops the switchport from forwarding frames for several seconds after a reset. This prevents the NIU from reaching the gateway and generates a "gateway unreachable" network-level alarm.

## Before Configuring a High Availability (HA) Pair

 **Note:**

When you configure an HA pair, you must use the same password for both Oracle® Enterprise Session Border Controllers. Before configuring the parameters that support HA, complete the following steps.

1. Establish the physical connections between the Oracle® Enterprise Session Border Controllers. Avoid breaking the physical link (over the rear interfaces) between the Oracle® Enterprise Session Border Controllers in an HA node. If the physical link between the Oracle® Enterprise Session Border Controllers breaks, they will both attempt to become the active system and HA will not function as designed.
2. Confirm that both Oracle® Enterprise Session Border Controllers are set to the same time. Use the ACLI **show clock** command to view the system time. If the Oracle® Enterprise Session Border Controllers show different times, use the **system-timeset** command to change the time.  
  
Oracle recommends that you use NTP to synchronize your Oracle® Enterprise Session Border Controllers, so that they have a common stratum time source.
3. HA nodes use specific ports for HA interfaces. See the documentation for the hardware that you use.
4. For ACLI configuration, you need to know the target names of the Oracle® Enterprise Session Border Controllers making up the HA node. The target name



of the system is reflected in the ACLI's system prompt. For example, in the ORACLE# system prompt, ORACLE is the target name.

You can also see and set the target name in the Oracle® Enterprise Session Border Controller boot parameters.

**Note:**

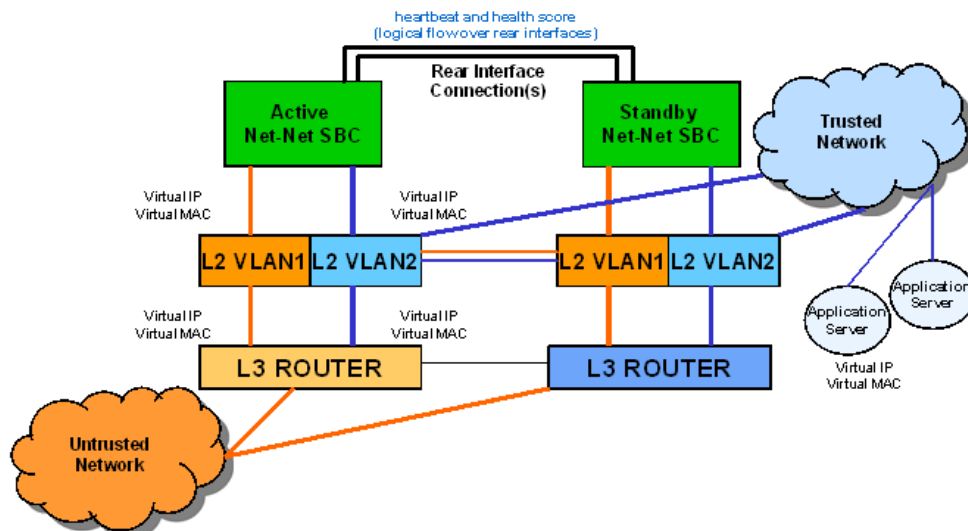
The target name is case sensitive.

5. Devise virtual MAC addresses so that, if a switchover happens, existing sessions are not interrupted.

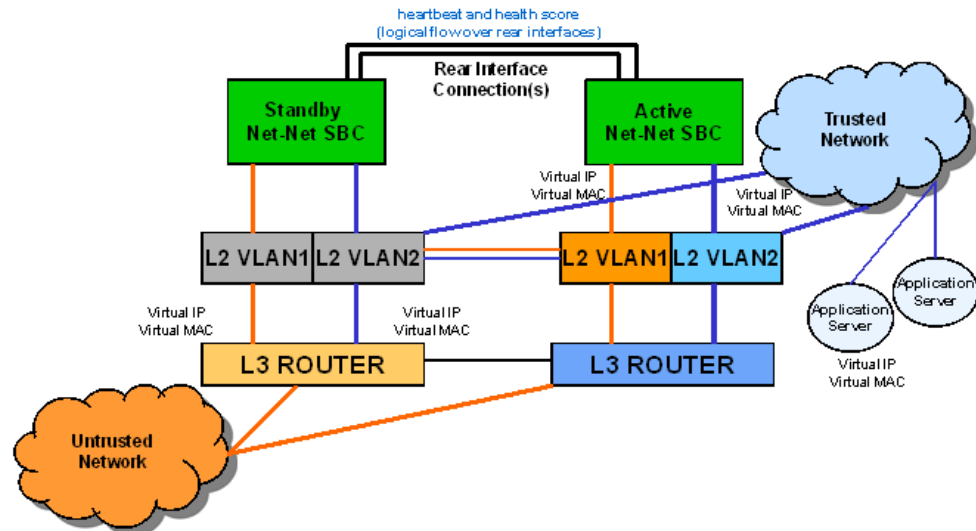
## HA Node Connections

To use HA, you must establish Layer 2 and Layer 3 networks that interconnect two Oracle® Enterprise Session Border Controllers and support HA with the required physical network connections. The basic network set-up in the following diagram shows an HA node deployment where each system is connected to its own Layer 2 switch. This set-up provides a measure of added redundancy in the event that one of the switches fails.

Here, the active system is using the virtual MAC and IP addresses.



In the second diagram, the same network is shown with the HA node having experienced a switchover. The previously standby Oracle® Enterprise Session Border Controller has taken over the active role in the HA node and is using the virtual IP and MAC addresses.



**Note:**

Switches should never be in master-slave mode. If they are, HA will not work correctly.

The following are hardware set-up and location considerations for placing an HA Node:

- You must set up each Oracle® Enterprise Session Border Controller according to the requirements and safety precautions set out in the *Oracle Communications System Hardware Installation Guide*.
- Each Oracle® Enterprise Session Border Controller's media interfaces must be connected to the same switches (or other network entities), as shown in the diagram above.
- The length of the shielded crossover 10/100 category 5 Ethernet cable that connects the Oracle® Enterprise Session Border Controllers from the rear interfaces must be able to reach from the configured rear interface on one Oracle® Enterprise Session Border Controller to the configured rear interface on the other.

HA nodes use Oracleclorder element redundancy protocol for its tasks. This protocol uses a connection between the rear interfaces of two Oracle® Enterprise Session Border Controllers to checkpoint the following information: health, state, media flow, signaling, and configuration.

We recommend that you use shielded category 5 (RJ45) crossover cables for all 10/100 Ethernet connections used for HA.

You can set up either single or multiple rear interface support for your HA node. For single interface support, one cable connects the two Oracle® Enterprise Session Border Controllers; for multiple interface support, two cables are used. However, the software configurations for each type of connection mode are different.

When you make these connections, do not use port 0 (wancom0) on the rear interface of the Oracle® Enterprise Session Border Controller chassis; that port should only be used for Oracle® Enterprise Session Border Controller management. Instead, use ports 1 and 2 (wancom1 and wancom2).

To cable Oracle® Enterprise Session Border Controllers using single rear interface support:

1. Using a 10/100 category 5 crossover cable, insert one end into either port 1 (wancom1) or port 2 (wancom2) on the rear interface of the first Oracle® Enterprise Session Border Controller.
2. Insert the other end of the cable into port 1 or port 2 on the rear interface of the second Oracle® Enterprise Session Border Controller. We recommend that you use corresponding ports on the two systems. That is, use port 1 on both systems or use port 2 on both systems.
3. Perform software configuration for these interfaces as described in this chapter.

To cable Oracle® Enterprise Session Border Controllers using multiple rear interface support:

4. Using a 10/100 category 5 crossover cable, insert one end into port 1 on the rear interface of the first Oracle® Enterprise Session Border Controller.
5. Insert the other end of that cable into port 1 on the rear interface of the second Oracle® Enterprise Session Border Controller to complete the first physical connection.
6. Using a second 10/100 category 5 cable, insert one end into port 2 on the rear interface of the first Oracle® Enterprise Session Border Controller.
7. Insert the other end of this second cable in port 2 on the rear interface of the second Oracle® Enterprise Session Border Controller to complete the second physical connection.
8. Perform software configuration for these interfaces as described in this chapter.

## Virtual MAC Addresses

In order to create the HA node, you need to create virtual MAC addresses for the media interfaces. You enter these addresses in virtual MAC address parameters for phy-interface configurations where the operation type for the interface is media.

The HA node uses shared virtual MAC (media access control) and virtual IP addresses for the media interfaces. When there is a switchover, the standby Oracle® Enterprise Session Border Controller sends out an ARP message using the virtual MAC address, establishing that MAC on another physical port within the Ethernet switch. Virtual MAC addresses are actually unused MAC addresses that based on the Oracle® Enterprise Session Border Controller's root MAC address.

The MAC address is a hardware address that uniquely identifies each Oracle® Enterprise Session Border Controller. Given that, the virtual MAC address you configure allows the HA node to appear as a single system from the perspective of other network devices. To the upstream router, the MAC and IP are still alive, meaning

that existing sessions continue uninterrupted through the standby Oracle® Enterprise Session Border Controller.

Depending on the type of physical layer cards you have installed, you can create MAC addresses as follows: Four Ethernet (MAC) address for each configured four-port GigE physical interface card.

## Virtual MAC Address Configuration

To create a virtual MAC address:

1. Determine the Ethernet address of the Oracle® Enterprise Session Border Controller by using the ACLI **show interfaces** command. This command only works if you have already set up phy-interface configurations. Otherwise, you will get no output.

The example below shows you where the Ethernet address information appears; this sample has been shortened for the sake of brevity. For each type of physical interface card, the Oracle® Enterprise Session Border Controller displays the following:

```
ORACLE# show interfaces
f00 (media slot 0, port 0)
  Flags: UP BROADCAST MULTICAST ARP RUNNING
  Type: GIGABIT_ETHERNET
  Admin State: enabled
  Auto Negotiation: enabled
  Internet address: 10.10.0.10      Vlan: 0
  Broadcast Address: 10.10.255.255
  Netmask: 0xffff0000
  Gateway: 10.10.0.1
  Ethernet address is 00:08:25:01:07:64
```

2. Identify the root portion of the Ethernet (MAC) address.

Each Oracle® Enterprise Session Border Controller has MAC addresses assigned to it according to the following format: 00:08:25:XX:YY:ZN where:

- 00:08:25 refers to Acme Packet
- XX:YY:ZN refers to the specific Oracle® Enterprise Session Border Controller
- N is a 0-f hexadecimal value available for the Oracle® Enterprise Session Border Controller

In this example, the root part of this address is 00:08:25:XX:YY:Z.

3. To create an unused MAC address (that you will use as the virtual MAC address) take the root MAC address you have just identified. Replace this N value with unused hexadecimal values for the Oracle® Enterprise Session Border Controller: 8, 9, e, or f.

In other words, you change the last digit of the MAC address to either 8, 9, e, or f depending on which of those address are not being used.

For example, for an HA node with MAC address bases of 00:08:25:00:00:00 and 00:08:25:00:00:10, the following addresses would be available for use at virtual MAC addresses:

- 00:08:25:00:00:08

- 00:08:25:00:00:09
- 00:08:25:00:00:0e
- 00:08:25:00:00:0f
- 00:08:25:00:00:18
- 00:08:25:00:00:19
- 00:08:25:00:00:1e
- 00:08:25:00:00:1f

Corresponding media interfaces in HA nodes must have the same virtual MAC addresses. Given that you have various physical interface card options, the following points illustrate how virtual MAC address can be shared:

If you are using a four-port GigE physical interface card, both the active Oracle® Enterprise Session Border Controller and the standby Oracle® Enterprise Session Border Controller might have the following virtual MAC address scheme for the slots:

- Slot 0 \_ 00:08:25:00:00:0e and 00:08:25:00:00:0f
- Slot 1 - 00:08:25:00:00:1e and 00:08:25:00:00:1f

 **Note:**

Note the virtual MAC addresses you have created so that you can reference them easily when you are configuring the phy-interfaces for HA.

## Virtual MAC Addresses for VNFs

Virtual Network Functions (VNFs) rely on their hypervisor environment for MAC address establishment, advertisement and resolution. As such, you cannot derive these addresses using the same method as you do for Acme platforms. For VNFs, Oracle recommends establishing private MAC addressing for virtual MAC address configuration.

To support HA, you configure virtual Ethernet (MAC) address MAC addresses based on the Burned In Addresses (BIA) of the media interfaces. To determine what the virtual MAC addresses should be, you first identify a BIA and then calculate the virtual MACs based on that.

To define the virtual addresses you need to configure for each interface:

1. Identify the base MAC of eth0/wancom0 physical interface using the show interfaces command. For example, in the following display, you can see the base MAC is 00:50:56:C0:00:08:

```
eth(unit number 0):  
Flags: (0x78843) UP BROADCAST MULTICAST ARP RUNNING INET_UP  
Type: ETHERNET_CSMACD  
inet: 111.22.0.123  
Broadcast address: 111.22.255.255
```

```
Netmask 0xffff0000 Subnetmask 0xffff0000
Ethernet address is 00:50:56:C0:00:08
```

2. Set the bottom nibble of the first byte to 2 to define the address as locally administered.
3. Set the top nibble of the first byte to 0 and increment it for each interface.

For example, using the base-MAC for eth0, 00:50:56:C0:00:08, you assign the virtual addresses as follows:

- First media interface virtual MAC = 02:50:56:C0:00:08
- Second media interface virtual MAC = 12:50:56:C0:00:08
- Third media interface virtual MAC = 22:50:56:C0:00:08
- Forth media interface virtual MAC = 32:50:56:C0:00:08

## HA Node Connections

You can begin software configuration for your HA node after you have:

- Completed the steps for physical set-up and connection.
- Noted the target name of the Oracle® Enterprise Session Border Controllers that make up the HA node.
- Configured the virtual MAC addresses that you need, according to the type of physical interface cards installed on your Oracle® Enterprise Session Border Controller.

## HA Node Connection Configuration

If you are using HA, you need to set the phy-interface configuration parameters described in this section to establish successful connections. These parameters are for rear and media interfaces.

To access the phy-interface menu in the ACLI:

1. In Superuser mode, type **configure terminal** and press Enter.

```
ORACLE# configure terminal
```

2. Type **system** and press Enter to access the system-level configuration elements.

```
ORACLE(configure)# system
```

3. Type **phy-interface** and press Enter. The system prompt changes to let you know that you can begin configuring individual parameters.

```
ORACLE(system)# phy-interface
ORACLE(phy-interface)#
```

From this point, you can configure phy-interface parameters. To view all phy-interface parameters, enter a **?** at the system prompt.

## Rear Interfaces

You can use port 1 (wancom1) or port 2 (wancom2) as interfaces to support HA. Do not use port 0 (wancom 0) as that port is reserved for carrying management traffic.

Make sure that the physical connections you have made on the rear panel of your Oracle® Enterprise Session Border Controllers correspond to the configurations you enter for phy-interfaces. You can connect Oracle® Enterprise Session Border Controllers through multiple rear interfaces. For multiple rear interface connectivity, cable both port 1 and port 2 (wancom1 and wancom2) on one Oracle® Enterprise Session Border Controller to port1 and port 2 on the other Oracle® Enterprise Session Border Controller in the HA node.

The Oracle® Enterprise Session Border Controller's HA function depends heavily on health scores to determine the active and standby roles in an HA node. You can set the amount that will be subtracted from a Oracle® Enterprise Session Border Controller's health score in the event that a management interface fails for any reason. For example, a connection might become invalid or a cable might be removed inadvertently.

The following example shows how a configured phy-interface will appear in the ACLI for an HA node:

```
phy-interface
  name                wancom1
  operation-type      Control
  port                1
  slot                0
  virtual-mac
  wancom-health-score 20
```

To establish rear interfaces for use in an HA node using the ACLI:

1. Access the phy-interface menu.
2. **name**—Set a name for the interface using any combination of characters entered without spaces. For example: wancom1.
3. **operation-type**—Set this parameter to **Control**.
4. **slot**—Set this parameter to **0**.
5. **port**—Set this parameter to **1** or **2**.
6. **wancom-health-score**—Enter the number value between 0 and 100. This value will be subtracted from the Oracle® Enterprise Session Border Controller's health score in the event that a rear interface link fails. We recommend that you change this value from its default (**50**), and set it to **20**.

This value you set here is compared to the active and emergency health score thresholds you establish in the Oracle® Enterprise Session Border Controller HA node (redundancy) configuration.

7. For multiple rear interface support, configure the remaining, unused rear interfaces with the appropriate values.

The following example shows configuration for multiple rear interface support.

```
ORACLE(system)# phy-interface
ORACLE(phy-interface)# name wancom1
ORACLE(phy-interface)# operation-type control
ORACLE(phy-interface)# port 1
ORACLE(phy-interface)# wancom-health-score 20
ORACLE(phy-interface)# done
ORACLE(phy-interface)# name wancom2
ORACLE(phy-interface)# operation-type control
ORACLE(phy-interface)# port 2
ORACLE(phy-interface)# wancom-health-score 20
ORACLE(phy-interface)# done
```

## Media Interface Virtual MAC Addresses

To configure HA for the media interfaces in an HA node, you must set one or more virtual MAC addresses, according to the type of physical layer cards you have installed on your Oracle® Enterprise Session Border Controller.

To set a virtual MAC address using the ACLI:

1. Access the phy-interface configuration.
2. Configure all relevant parameters as noted in the Phy-Interfaces section of this guide's *System Configuration* chapter.

Since virtual MAC addresses are used for media interfaces only, verify that the operation type is set to media.

3. **virtual-mac**—Enter the virtual MAC address that you have created using the steps in the Virtual MAC Addresses section.

## HA Node Parameters

To establish a pair of Oracle® Enterprise Session Border Controllers as an HA node, you need to configure basic parameters that govern how the Oracle® Enterprise Session Border Controllers:

- Transition on switchover
- Share media and call state information
- Checkpoint configuration data

The following example shows what an HA configuration might look like in the ACLI.

```
redundancy-config
state                enabled
log-level            WARNING
health-threshold     75
emergency-threshold  50
port                 9090
advertisement-time   500
percent-drift        210
initial-time         1250
```



```

becoming-standby-time      45000
becoming-active-time      100

```

You need to configure the two Oracle® Enterprise Session Border Controllers to be HA node peers. To enable configuration checkpointing, you must to configure two peers in the ACLI, one for the primary and one for the secondary Oracle® Enterprise Session Border Controller. The HA node peers configuration also allows you to configure destinations for where to send health and state information. Unless you create Oracle® Enterprise Session Border Controller peers and destinations configurations, HA will not work properly.

The following example shows what an HA configuration might look like in the ACLI.

```

peer
    name          netnetsd1
    state         enabled
    type          Primary
    destination
        address   169.254.1.1:9090
network-interface  wancom1:0
peer
    name          netnetsd2
    state         enabled
    type          Secondary
    destination
        address   169.254.1.2:9090
        network-interface  wancom1:0

```

## HA Node Parameter Configuration

To configure general HA node parameters using the ACLI:

1. In Superuser mode, type **configure terminal** and press Enter.

```
ORACLE# configure terminal
```

2. Type **system** and press Enter to access the system-level configuration elements.

```
ORACLE(configure)# system
```

3. Type **redundancy** and press Enter.

```
ORACLE(system)# redundancy
```

From here, you configure basic HA node parameters. To view all basic HA node parameters, enter a **?** at the system prompt.

4. **state**—Leave this parameter set to **enabled** for HA to work. To stop HA operation, set this parameter to **disabled**. The default value is **enabled**. The valid values are:
  - enabled | disabled
5. **log-level**—Set the log level you want to use for the HA system process. The value you set in this field overrides any log level value you set for the entire Oracle® Enterprise Session Border Controller in the system configuration process log level

parameter. The default value is **INFO** which allows you to receive a moderate amount of detail. The valid values are:

- emergency | critical | major | minor | warning | notice | info | trace | debug | detail

6. **health-threshold**—Enter a value between 0 and 100 to set the health score at which the Oracle® Enterprise Session Border Controllers in the HA node gracefully exchange active-standby roles. The default value is **75**. The valid range is:

- Minimum—1
- Maximum—100

For example, if this field is set to **75** and the active Oracle® Enterprise Session Border Controller's health score falls below that point, the standby Oracle® Enterprise Session Border Controller will take over the active role. However, Oracle® Enterprise Session Border Controller will only take over the active role if its own health score is 75 or better.

7. **emergency-threshold**—Enter the health score for the standby Oracle® Enterprise Session Border Controller to become active immediately. The default value is **50**. The valid range is:

- Minimum—0
- Maximum—100

If the standby Oracle® Enterprise Session Border Controller is initializing and the active Oracle® Enterprise Session Border Controller's health score is below the health threshold, the standby Oracle® Enterprise Session Border Controller will take the active role and there will be a graceful switchover. If the active Oracle® Enterprise Session Border Controller's health score is below the emergency threshold, then the switchover will be immediate.

If the standby Oracle® Enterprise Session Border Controller has a health score below the emergency threshold and the active Oracle® Enterprise Session Border Controller is unhealthy, the active Oracle® Enterprise Session Border Controller will not give up its active role.

8. **advertisement-time**—Enter the number of milliseconds to set how often Oracle® Enterprise Session Border Controllers in an HA node inform each other of their health scores.

We recommend you leave this parameter set to its default, **500**. The valid range is:

- Minimum—50
- Maximum—999999999

9. **percent-drift**—Enter the percentage of the advertisement time that you want one member of the HA node to wait before considering the other member to be out of service. For the standby Oracle® Enterprise Session Border Controller, this is the time it will wait before taking the active role in the HA node. The default value is **210**. The valid range is:

- Minimum—100
- Maximum—65535

10. **initial-time**—Enter the number of milliseconds to set the longest amount of time the Oracle® Enterprise Session Border Controller will wait at boot time to change

its state from initial to either becoming active or becoming standby. The default value is **1250**. The valid range is:

- Minimum—5
- Maximum—999999999

- 11. becoming-standby-time**—Enter the number of milliseconds the Oracle® Enterprise Session Border Controller waits before becoming standby, allowing time for synchronization. If it is not fully synchronized within this time, it will be declared out of service.

We recommend that you do not set this parameter below **45000**. If a large configuration is being processed, we recommend setting this parameter to **180000** to allow enough time for configuration checkpointing. The default value is **45000**. The valid range is:

- Minimum—5
- Maximum—999999999

- 12. becoming-active-time**—Enter the number of milliseconds that the standby Oracle® Enterprise Session Border Controller takes to become active in the event that the active Oracle® Enterprise Session Border Controller fails or has an intolerably decreased health score. The default value is **100**. The valid range is:

- Minimum—5
- Maximum—999999999

## HA Node Peer Configuration

To configure a Oracle® Enterprise Session Border Controller as an HA node peer:

1. From the redundancy menu, type **peers** and press Enter.

```
ORACLE(system)# redundancy
ORACLE(redundancy)# peers
```

2. **state**—Enable or disable HA for this Oracle® Enterprise Session Border Controller. The default value is **enabled**. The valid values are:
  - enabled | disabled
3. **name**—Set the name of the HA node peer as it appears in the target name boot parameter.

This is also the name of your system that appears in the system prompt. For example, in the system prompt ORACLE1#, ORACLE1 is the target name for that Oracle® Enterprise Session Border Controller.

4. **type**—These values refer to the primary and secondary utility addresses in the network interface configuration. To determine what utility address to use for configuration checkpointing, set the type of Oracle® Enterprise Session Border Controller: primary or secondary.

### Note:

You must change this field from unknown, its default. The valid values are:

- **primary**—Set this type if you want the Oracle® Enterprise Session Border Controller to use the primary utility address.
- **secondary**—Set this type if you want the Oracle® Enterprise Session Border Controller to use the secondary utility address.
- **unknown**—If you leave this parameter set to this default value, configuration checkpointing will not work.

## HA Node Health And State Configuration

To configure where to send health and state information within an HA node:

1. From the peers configuration, type destinations and press Enter.

```
ORACLE (rdncy-peer) # destinations
ORACLE (rdncy-peer-dest) #
```

2. **address**—Set the destination IPv4 address and port of the other Oracle® Enterprise Session Border Controller in the HA node to which this Oracle® Enterprise Session Border Controller will send HA-related messages. This value is an IPv4 address and port combination that you enter as: IPAddress:Port. For example, 169.254.1.1:9090.
  - The IPv4 address portion of this value is the same as the IPv4 address parameter set in a network interface configuration of the other Oracle® Enterprise Session Border Controller in the HA node.
  - The port portion of this value is the port you set in the Oracle® Enterprise Session Border Controller HA Node/redundancy configuration for the other Oracle® Enterprise Session Border Controller in the node.
3. **network-interface**—Set the name and subport for the network interface where the Oracle® Enterprise Session Border Controller receives HA-related messages. Valid names are wancom1 and wancom2. This name and subport combination must be entered as name:subport; for example, **wancom1:0**.

The network interface specified in this parameter must be linked to a phy-interface configured with rear interface parameters. The phy-interface's operation type must be control or maintenance, and so the subport ID portion of this parameter is 0. The subport ID is the VLAN tag.

## High Availability on the Acme Packet 1100

The Acme Packet 1100 supports High Availability (HA), but the configuration differs from other Oracle® Enterprise Session Border Controllers (E-SBC) because there is only one management interface on this device.

Unlike other E-SBCs, which provide two management interfaces and two media interfaces, the Acme Packet 1100 provides 1 management interface and 2 media interfaces. For HA, you must create a second management interface object on the Acme Packet 1100 with wancom0 for the **name** and VLAN for the **sub-port-id**. You can configure only one management interface in an HA pair with these settings and the system does not support more than one HA interface with a VLAN tag.



**Note:**

The Acme Packet 1100 E-SBC does not support High Availability (HA) for any call using the Time Division Multiplexing (TDM) interface.

## Configure the Acme Packet 1100 for HA

The details in the procedures for configuring High Availability (HA) on the Acme Packet 1100 differ from configuring HA for other models of the Oracle® Enterprise Session Border Controller (E-SBC) because the Acme Packet 1100 uses a single management interface and shares the wancom0 port for HA operations. Perform all of the configuration on the active (E-SBC) and then perform a synchronization, so that the peer can acquire the configuration.

Use the following procedures to configure the Acme Packet 1100 for HA operations from the ACLI.

1. Configure the management interface. See "Configure the Acme Packet 1100 Management Interface for HA."
2. Configure the media interface virtual MAC address. See "Virtual MAC Address Configuration."
3. Configure the network interface. See "Configure the Acme Packet 1100 Network Interface for HA."
4. Configure redundancy. See "Configure the Acme Packet 1100 for Redundancy."
5. Synchronize the configurations. See "Synchronize HA Peers."

## Configure the Acme Packet 1100 Management Interface for HA

To enable communications between a pair of Acme Packet 1100 Oracle® Enterprise Session Border Controllers, configure the communication port for the pair. Perform all of the configuration on the active (E-SBC) and then perform a synchronization, so that the peer can acquire the configuration.

### Before You Begin

- Confirm that the management switch supports Virtual Local Area Network (VLAN) operations.

### Procedure

The Acme Packet 1100 uses the wancom0 port for HA operations. Specify wancom0 for **name** on the **phy-interface**.

1. Logon and navigate to the phy-interface object.

```
ORACLE# configure terminal
ORACLE(configure)# system
ORACLE(system)#phy-interface
ORACLE(phy-interface)#
```

2. Type **name wancom0**, and press ENTER.
3. Type **done**, and press ENTER.

4. Type **exit**, and press ENTER.
5. Save and activate the configuration.

**Next Steps**

- Configure the media interface virtual MAC address. See "Virtual MAC Address Configuration."

## Configure the Acme Packet 1100 Network Interface for HA

To establish system redundancy for a pair of Acme Packet 1100 Oracle® Enterprise Session Border Controllers, configure the network interface parameters for each member of the pair. Perform all of the configuration on the active (E-SBC) and then perform a synchronization, so that the peer can acquire the configuration.

**Before You Begin**

- Configure the management interface. See "Configure the Acme Packet 1100 Management Interface for HA."
- Configure the media interface virtual MAC address. See "Virtual MAC Address Configuration."

**Procedure**

Configure the network interface for wancom0 on a VLAN that is not the VLAN for the management interface. Configure a unique address for the pri-utility-addr and sec-utility-addr parameters.

1. Logon and navigate to the network-interface object.

```
ORACLE# configure terminal
ORACLE(configure)# system
ORACLE(system)# network-interface
ORACLE(network-interface)
```

2. Type name wancom0, and press ENTER.
3. Type sub-port-id <VLANname>, and press ENTER.
4. Type netmask 255.255.0.0, and press ENTER.
5. Type pri-utility-addr 169.254.1.1, and press ENTER.
6. Type sec-utility-addr 169.254.1.2, and press ENTER.
7. Type **done**, and press ENTER.
8. Type **quit**, and press ENTER.
9. Save and activate the configuration.

**Next Steps**

- Configure redundancy. See "Configure the Acme Packet 1100 for Redundancy."

## Configure the Acme Packet 1100 for system redundancy

To establish system redundancy for a pair of Acme Packet 1100 Oracle® Enterprise Session Border Controllers, configure the peer parameters for each member of the

pair. Perform all of the configuration on the active (E-SBC) and then perform a synchronization, so that the peer can acquire the configuration.

### Before You Begin

- Configure the management interface. See "Configure the Acme Packet 1100 Management Interface for HA."
- Configure the media interface virtual MAC address. See "Virtual MAC Address Configuration."
- Configure the network interface. See "Configure the Acme Packet 1100 Network Interface for HA."

### Procedure

Logon to the redundancy-config configuration object and enter a unique name and IP address for each member of the pair. Specify one member of the pair as the primary and the other as the secondary. Use the same network-interface for both members of the pair.

1. Logon and navigate to the redundancy-config object.

```
ORACLE# configure terminal
ORACLE(configure)# system
ORACLE(system)# redundancy
ORACLE(redundancy)# peers
ORACLE(rdncy-peers)#
```

2. Type **select**, and press ENTER.
3. Type **peers**, and press ENTER.
4. Type **name ACMEPACKET**, and press ENTER.
5. Type **type primary**, and press ENTER.
6. Type **destination**, and press ENTER.
7. Type **address 169.254.1.1**, and press ENTER.
8. Type **network-interface wancom0:<VLANIP>**, and press ENTER.
9. Type **done**, and press ENTER.
10. Type **exit**, and press ENTER.
11. Type **done**, and press ENTER.
12. Type **name <redundantESBCname>**, and press ENTER.
13. Type **type secondary**, and press ENTER.
14. Type **destination**, and press ENTER.
15. Type **address 169.254.1.2**, and press ENTER.
16. For network interface, type **wancom0:<VLANIP>**, and press ENTER.
17. Do the following to exit:
  - a. Type **done**, and press ENTER.
  - b. Type **exit**, and press ENTER.
  - c. Type **done**, and press ENTER.
  - d. Type **exit**, and press ENTER.

- e. Type **done**, and press ENTER.
  - f. Type **quit**, and press ENTER.
18. Save and activate the configuration.

#### Next Steps

- Reboot the system.
- Synchronize the configurations. See "Synchronize HA Peers."

## Synchronizing Configurations

You can synchronize the Oracle® Enterprise Session Border Controllers (E-SBC) in your High Availability (HA) node in the following ways:

- Automatically — Set up configuration checkpointing within the HA node.
- Manually — Check whether or not configurations in the HA node are synchronized, and then copy configuration data from one E-SBC to the other.

When you initially configure a new HA node, copy the configuration data manually from one E-SBC to the other. When you complete the process, you can configure your HA node to automatically synchronize configurations.

Oracle recommends that you configure the HA node for configuration checkpointing because that is the most reliable way to ensure that both systems have the same configuration.

## Using Configuration Checkpointing

The Oracle® Enterprise Session Border Controller's primary and secondary utility addresses support configuration checkpointing, allowing the standby Oracle® Enterprise Session Border Controller to learn configuration changes from the active Oracle® Enterprise Session Border Controller. This means that you only have to enter configuration changes on the active Oracle® Enterprise Session Border Controller for the configurations across the HA node to be updated.

Configuration checkpointing uses parameters in the network interface and in the Oracle® Enterprise Session Border Controller HA Nodes/redundancy configurations.

If you are using configuration checkpointing, you also need to set up two Oracle® Enterprise Session Border Controller peer configurations: one the primary, and one for the secondary.

## HA Configuration Checkpointing

You need to first set applicable network interface configuration parameters, and then establish applicable parameters in the Oracle® Enterprise Session Border Controller HA node (redundancy) configuration.

We recommend that you do not change the configuration checkpointing parameters in the redundancy configuration. Using the defaults, this feature will function as designed.



 **Note:**

Remember to set the appropriate type parameter in the HA node redundancy peers configuration.

For the network interface, these parameters appear as they do in the following example when you use the ACLI. This example has been shortened for the sake of brevity.

```
pri-utility-addr          169.254.1.1
sec-utility-addr          169.254.1.2
```

For the Oracle® Enterprise Session Border Controller HA node (redundancy) configuration, these parameters appear as they do in the following example when you use the ACLI. This example has been shortened for the sake of brevity. You should not change these values without consultation from Oracle Technical Support or your Oracle Systems Engineer.

```
cfg-port                  1987
cfg-max-trans              10000
cfg-sync-start-time       5000
cfg-sync-comp-time        1000
```

To configure HA configuration checkpointing in the ACLI:

1. In Superuser mode, type **configure terminal** and press Enter.

```
ORACLE# configure terminal
```

2. Type **system** and press Enter to access the system-level configuration elements.

```
ORACLE(configure)# system
```

3. Type **network-interface** and press Enter. The system prompt changes to let you know that you can begin configuring individual parameters.

```
ORACLE(system)# network-interface
ORACLE(network-interface)#
```

From here, you can configure network interface parameters. To view all network interfaces parameters, enter a **?** at the system prompt.

4. **pri-utility-addr**—Enter the utility IP address for the primary HA peer in an HA architecture.

This address can be any unused IP address within the subnet defined for the network interface. For example, given a network interface of with the IPv4 address 168.0.4.15/24 (identifying the host associated with the network interface), the possible range of unused IPv4 addresses is 168.0.4.1 to 168.0.4.254. Your network administrator will know which IPv4 addresses are available for use.

5. **sec-utility-addr**—Enter the utility IP address for the secondary Oracle® Enterprise Session Border Controller peer in an HA architecture.

Usually, this IP address is usually the next in the sequence up from the primary utility address. It is also generated from the range of unused IP addresses within the subnet defined for the network interface.

6. Save your work and exit the network interface configuration.

```
ORACLE(network-interface)# done
ORACLE(network-interface)# exit
ORACLE(system)#
```

7. Access the system HA node/redundancy configuration by typing **redundancy** at the system prompt and then press Enter.

```
ORACLE(system)# redundancy
ORACLE(redundancy)#
```

 **Note:**

We strongly recommend that you keep the default settings for the parameters Steps 8 through 11.

8. **cfg-port**—Enter the port number for sending and receiving configuration checkpointing messages. Setting this to zero (**0**) disables configuration checkpointing. The default value is **1987**. The valid values are:
  - Minimum—0, 1025
  - Maximum—65535
9. **cfg-max-trans**—Enter the number of HA configuration checkpointing transactions that you want to store. The active Oracle® Enterprise Session Border Controller maintains the transaction list, which is acquired by the standby Oracle® Enterprise Session Border Controller. Then the standby system uses the list to synchronize its configuration with active system. The default value is **10000**. The valid range is:
  - Minimum—0
  - Maximum—4294967295

Transactions include: modifications, additions, and deletions. If the maximum number of stored transactions is reached, the oldest transactions will be deleted as new transactions are added.

10. **cfg-sync-start-time**—Enter the number of milliseconds before the Oracle® Enterprise Session Border Controller tries to synchronize by using configuration checkpointing. On the active Oracle® Enterprise Session Border Controller, this timer is continually reset as the Oracle® Enterprise Session Border Controller checks to see that it is still in the active role. If it becomes standby, it waits this amount of time before it tries to synchronize.

We recommend you leave this field at its default value, **5000**, so that configuration checkpointing can function correctly. The valid range is:

- Minimum—0
  - Maximum—4294967295
11. **cfg-sync-comp-time**—Enter the number of milliseconds that the standby Oracle® Enterprise Session Border Controller waits before checkpointing to obtain

configuration transaction information after the initial checkpointing process is complete.

We recommend you leave this field at its default value, **1000**, so that configuration checkpointing can function correctly. The valid range is:

- Minimum—0
- Maximum—4294967295

**12.** Save your work and exit the redundancy configuration.

```
ORACLE (redundancy) # done
ORACLE (redundancy) # exit
ORACLE (system) #
```

## Manually Checking Configuration Synchronization

You can check that the current and active configurations are synchronized across the HA node. The current configuration is the one with which you are currently working, and the active configuration is the one active on the system.

To confirm that the systems in the HA node have synchronized configurations:

1. On the active Oracle® Enterprise Session Border Controller in the Superuser menu, enter the following ALCI commands and press Enter. Note the configuration version numbers for comparison with those on the standby Oracle® Enterprise Session Border Controller.

- **display-current-cfg-version**—Shows the version number of the configuration you are currently viewing (for editing, updating, etc.).

```
ORACLE# display-current-cfg-version
Current configuration version is 30
```

- **display-running-cfg-version**—Shows the version number of the active configuration running on the Oracle® Enterprise Session Border Controller.

```
ORACLE# display-running-cfg-version
Running configuration version is 30
```

2. On the standby Oracle® Enterprise Session Border Controller, enter the following ALCI commands and press Enter. Note the configuration version numbers for comparison with those on the active Oracle® Enterprise Session Border Controller.

```
ORACLE# display-current-cfg-version
Current configuration version is 30
ORACLE# display-running-cfg-version
Running configuration version is 30
```

3. Compare the configuration numbers. If the version numbers on the active Oracle® Enterprise Session Border Controller match those on the standby Oracle® Enterprise Session Border Controller, then the systems are synchronized.

If the version numbers do not match, you need to synchronize the Oracle® Enterprise Session Border Controllers. You can do so using the ACLI **acquire-config** command.

## Synchronize HA Peers

The process for synchronizing the peers in a High Availability (HA) node for the first time by way of the ACLI includes the following steps.

1. Create a complete configuration on the active Oracle® Enterprise Session Border Controller (E-SBC). Include all HA node parameters and all rear interface configurations. Confirm that the rear interfaces are configured to send and receive information across the HA node.
2. On the active E-SBC, save the configuration.
3. On the active E-SBC, reboot to run the new configuration.

Use the ACLI **show health** command to see that the active E-SBC booted without a peer. This changes after you copy the configuration to the standby E-SBC and activate the configuration.

4. On the standby E-SBC, perform the ACLI **acquire-config** command to copy the configuration from the active E-SBC. Use the **acquire-config** command with the IPv4 address of wancom 0 on the active E-SBC.

```
ACMEPACKET2# acquire-config 192.168.12.4
```

The IPv4 address of wancom 0 on the active E-SBC is the IPv4 address portion of the value displayed for the **IP Address** boot parameter. The following codeblock shows an example of the **IP Address** value that the system displays when you view the boot parameters:

```
IP Address           : 192.168.12.4
```

5. When the copying process (**acquire-config**) is complete, reboot the standby E-SBC to activate the configuration. The system boots and displays start-up information.
6. Confirm that the HA node synchronized the configurations by using the ACLI **display-current-cfg-version** and **display-running-cfg-version** commands:

```
ORACLE# display-current-cfg-version
Current configuration version is 3
ORACLE# display-running-cfg-version
Running configuration version is 3
ORACLE# display-current-cfg-version
Current configuration version is 3
ORACLE# display-running-cfg-version
Running configuration version is 3
```

In the preceding example, all configuration versions—current and running—are the same number (3).

## Media Interface Link Detection and Gateway Polling

You can use media interface link detection and gateway polling globally on the Oracle® Enterprise Session Border Controller, or you can override those global parameters on a per-network-interface basis.

- Use the Oracle® Enterprise Session Border Controller HA node (redundancy) configuration to establish global parameters. When configured globally, they will appear like this in the ACLI:

```
gateway-heartbeat-interval    0
gateway-heartbeat-retry      0
gateway-heartbeat-timeout    1
gateway-heartbeat-health     0
```

- Use the network interface's gateway heartbeat configuration to override global parameters on a per-network-interface basis. When configured for the network interface, these parameters will appear like this in the ACLI:

```
gw-heartbeat
state                enabled
heartbeat            0
retry-count          0
retry-timeout        1
health-score         0
```

## Media Interface Link Detection and Gateway Polling Configuration

To configure global media interface link detection and gateway polling:

1. In Superuser mode, type **configure terminal** and press Enter.

```
ORACLE# configure terminal
```

2. Type **system** and press Enter to access the system-level configuration elements.

```
ORACLE(configure)# system
```

3. Type **redundancy** and press Enter.

```
ORACLE(system)# redundancy
```

From here, you can configure gateway heartbeat parameters. To view all gateway heartbeat parameters, enter a **?** at the system prompt.

4. **gateway-heartbeat-interval**—Enter the number of seconds between heartbeats for the media interface gateway. Heartbeats are sent at this interval as long as the media interface is viable. The default value is **0**. The valid range is:
  - Minimum—0
  - Maximum—65535

5. **gateway-heartbeat-retry**—Enter the number of heartbeat retries (subsequent ARP requests) to send to the media interface gateway before it is considered unreachable. The default value is **0**. The valid range is:
  - Minimum—0
  - Maximum—65535
6. **gateway-heartbeat-timeout**—Enter the heartbeat retry time-out value in seconds. The default value is **1**. The valid range is:
  - Minimum—0
  - Maximum—65535

This parameter sets the amount of time between Oracle® Enterprise Session Border Controller ARP requests to establish media interface gateway communication after a media interface gateway failure.
7. **gateway-heartbeat-health**—Enter the amount to subtract from the Oracle® Enterprise Session Border Controller's health score if a media interface gateway heartbeat fails. If the value you set in the gateway time-out retry field is exceeded, this amount will be subtracted from the system's overall health score. The default value is **0**. The valid range is:
  - Minimum—0
  - Maximum—100

## Media Interface Link Detection and Gateway Polling Configuration 2

To configure media interface link detection and gateway polling on a per-network-interface basis in the CLI:

1. In Superuser mode, type **configure terminal** and press Enter.

```
ACMEPACKET# configure terminal
```

2. Type **system** and press Enter to access the system-level configuration elements.

```
ACMEPACKET(configure)# system
```

3. Type **network-interface** and press Enter.

```
ACMEPACKET(system)# network-interface
```

4. Type **gw-heartbeat** and press Enter. The system prompt changes to let you know that you can begin configuring individual parameters.

```
ACMEPACKET(network-interface)# gw-heartbeat  
ACMEPACKET(gw-heartbeat)#
```

From here, you can configure gateway heartbeat parameters for the network interface. To view all gateway heartbeat parameters, enter a **?** at the system prompt.

5. **state**—Enable or disable the gateway heartbeat feature. The default value is **enabled**. The valid values are:

- enabled | disabled
- 6. heartbeat**—Enter the number of seconds between heartbeats for the media interface gateway. Heartbeats are sent at this interval as long as the media interface is viable. The default value is zero (**0**). The valid range is:
    - Minimum—0
    - Maximum—65535

The value you configure in this field overrides any globally applicable value set in the gateway heartbeat interval parameter in the Oracle® Enterprise Session Border Controller HA node (redundancy) configuration.
  - 7. retry-count**—Enter the number of heartbeat retries that you want sent to the media interface gateway before it is considered unreachable. The default value is zero (**0**). The valid range is:
    - Minimum—0
    - Maximum—65535
  - 8. retry-timeout**—Enter the heartbeat retry time-out value in seconds. The default value is **1**. The valid range is:
    - Minimum—1
    - Maximum—65535

This parameter sets the amount of time between system ARP requests to establish media interface gateway communication after a media interface gateway failure.
  - 9. health-score**—Enter the amount to subtract from the system's health score if a media interface gateway heartbeat fails; this parameter defaults to 0. If the value you set in the retry-time-out field is exceeded, this amount will be subtracted from the system's overall health score. The default value is zero (**0**). The valid range is:
    - Minimum—0
    - Maximum—100

## Signaling Checkpointing

You can configure your HA node to checkpoint signaling for SIP.

### SIP Signaling Checkpointing

In the SIP configuration, you can set parameters that enable SIP signaling checkpointing across an HA node.

When configured, these parameters will appear in the ACLI as they do in example below.

 **Note:**

This example shows the default values being used, and we recommend that you do not change these values from their defaults.

```
red-sip-port          1988
red-max-trans         10000
red-sync-start-time   5000
red-sync-comp-time    1000
```

## Signaling Checkpointing Configuration

To configure SIP signaling checkpointing across an HA node in the CLI:

1. In Superuser mode, type **configure terminal** and press Enter.

```
ORACLE# configure terminal
```

2. Type **session-router** and press Enter to access the system-level configuration elements.

```
ORACLE(configure)# session-router
```

3. Type **session-router** and press Enter.

```
ORACLE(session-router)# sip-config
```

From here, you can configure SIP parameters for HA nodes. To view all SIP configuration parameters, enter a **?** at the system prompt.

When configuring SIP for HA, you only need to set the parameters addressed in this procedure.

4. **red-sip-port**—Enter the port on which SIP signaling checkpointing messages are sent and received. The default value is **1988**. A value of **0** disables the SIP signaling checkpointing. The valid range is:
  - Minimum—0, 1024
  - Maximum—65535
5. **red-max-trans**—Enter the maximum size of the transaction list, or how many SIP transactions you want to store in memory at one time. Oldest transactions will be discarded first in the event that the limit is reached. The default value is **10000**. The valid range is:
  - Minimum—0
  - Maximum—999999999
6. **red-sync-start-time**—Enter the number of milliseconds before the Oracle® Enterprise Session Border Controller will try to synchronize its signaling state checkpointing.

If the active Oracle® Enterprise Session Border Controller is still adequately healthy, this timer will simply reset itself. If for any reason the active Oracle®



Enterprise Session Border Controller has become the standby, it will start to checkpoint with the newly active system when this timer expires.

We recommend that you leave this parameter set to its default, **5000**. The valid range is:

- Minimum—0
- Maximum—999999999

7. **red-sync-comp-time**—Enter the number of milliseconds representing how frequently the standby Oracle® Enterprise Session Border Controller checkpoints with the active Oracle® Enterprise Session Border Controller to obtain the latest SIP signaling information. The first interval occurs after initial synchronizations of the systems.

We recommend that you leave this parameter set to its default, **1000**. The valid range is:

- Minimum—0
- Maximum—999999999

## Media State Checkpointing

By default, the Oracle® Enterprise Session Border Controller performs media checkpointing across the HA node for all signaling protocols. You can keep the default port set for redundancy media flows.

H.323 media high availability is supported through a TCP socket keep-alive, which determines whether or not the other end of a TCP/IP network connection is still in fact connected. This type of checkpointing prevents the listening side of a connection from waiting indefinitely when a TCP connection is lost. When there is a switchover in the HA node, the system that has just become active takes over sending TCP keep-alives. Media continues to flow until the session ends or the flow guard timers expire.

This parameter will appear in the ACLI as follows:

```
red-flow-port                1985
```

## Media State Checkpointing Configuration

To configure media state checkpointing across an HA node in the ACLI:

1. In Superuser mode, type **configure terminal** and press Enter.

```
ORACLE# configure terminal
```

2. Type **media-manager** and press Enter to access the system-level configuration elements.

```
ORACLE(configure)# media-manager
```

3. Type **media-manager-config** and press Enter.

```
ORACLE(media-manager)# media-manager-config
```

4. **red-flow-port**—Enter the port number for checkpointing media flows associated with the HA interface. This is the port where media flow checkpoint messages are sent and received.

Setting this field to **0** disables media state checkpointing. The default value is **1985**. The valid range is:

- Minimum—0, 1025
- Maximum—65535

## HA Media Interface Keepalive

In an HA node, it is possible for the two systems in the node to lose communication via the management (rear, wancom) interfaces. For example, wancom 1 and wancom 2 might become disconnected, and cause the heartbeat synchronization to fail. This type of failure causes communication errors because both systems try to assume the active role and thereby access resources reserved for the active system.

To avoid these types of conditions, you can enable an option instructing the standby system to take additional time before going to the active state. This check occurs through the system's media interfaces. Using it, the standby can determine whether or not there has been a true active failure.

In cases when the standby determines the active system has not truly failed, it will go out of service because it will have determined it no longer has up-to-date data from its active counterpart. You can restore functionality by re-establishing management (rear) interface communication between the system in the node, and then re-synchronizes the standby by rebooting it.

When you enable the media interface keepalive, the standby system in the HA node sends ARP requests to determine if the media interfaces' virtual IP addresses are active. There are two possible outcomes:

- If it receives responses to its ARP requests, the standby takes itself out of service—to prevent a conflict with the active.
- If it does not receive responses to its ARP requests within a timeout value you set, then standby assumes the active role in the HA node.

### **WARNING:**

When using this feature, **media-if-peercheck-time**, rebooting the active does not result in successful switchover. If you want to force a switchover while using the media interface keepalive timer, use the **notify berpd force** command.

## Impact to Boot-Up Behavior

With the HA media interface keepalive enabled, the Oracle® Enterprise Session Border Controller might be in the initial state longer than if the feature were disabled because it requires more information about the media (front) interfaces.

## HA Media Interface Keepalive Configuration

You turn the HA media interface keepalive on by setting a timeout value for the standby to receive responses to its ARP requests before it assumes the active role in the HA node. Keeping this parameter set to 0, its default, disables the keepalive

To enable the HA media interface keepalive:

1. In Superuser mode, type **configure terminal** and press Enter.

```
ORACLE# configure terminal  
ORACLE(configure)#
```

2. Type **system** and press Enter.

```
ORACLE(configure)# system  
ORACLE(system)#
```

3. Type **redundancy** and press Enter.

```
ORACLE(session-router)# redundancy  
ORACLE(redundancy)#
```

If you are adding this feature to an existing configuration, then you will need to select the configuration you want to edit.

4. **media-if-peercheck-time**—Enter the amount of time in milliseconds for the standby system in an HA node to receive responses to its ARP requests via the media interface before it takes over the active role from its counterpart.

The default is 0, which turns the HA media interface keepalive off. The maximum value is 500 milliseconds.

5. Save and activate your configuration.

## RTC Notes

Starting in Release 4.1, the HA configuration is supported for real-time configuration (RTC). However, not all of the HA-related parameters are covered by RTC because of the impact on service it would cause to reconfigure these parameters dynamically.

This section sets out what parameters you should not dynamically reconfigure, or should dynamically reconfigure with care.

## HA

Changes to the following ACLI parameters will have the noted consequences when dynamically reconfigured:

- **cfg-max-trans**—Changing this value could cause the activation time to lengthen slightly
- **init-time**, **becoming-standby-time**, and **becoming-active-time**—Changes take place only if the system is not transitioning between these states; otherwise the system waits until the transition is complete to make changes

- **percent-drift** and **advertisement-time**—Changes are communicated between nodes in the HA pair as part of regular health advertisements

In addition, the following parameters are not part of the RTC enhancement, for the reason specified in the right-hand column.

Parameter	Impact
state	Disrupts service
port	Disrupts service; leaves systems in an HA node without a means of communicating with each other
cfg-port	Disrupts service; leaves systems in an HA node without a means of communicating with each other
cfg-max-trans	Disrupts service
cfg-sync-start-time	Disrupts configuration replication
cfg-sync-comp-time	Disrupts configuration replication

## Protocol-Specific Parameters and RTC

In addition, you should not change any of the parameters related to HA that are part of protocol or media management configurations that are used for protocol/media checkpointing. These are:

- SIP configuration
  - **red-max-trans**
  - **red-sync-start-time**
  - **red-sync-comp-time**
- Media Manager configuration
  - **red-flow-port**
  - **red-max-trans**
  - **red-sync-start-time**
  - **red-sync-comp-time**

## Switchovers

A switchover occurs when the active Oracle® Enterprise Session Border Controller stops being the active system, and the standby system takes over that function. There are two kinds switchovers: automatic and manual.

### Automatic Switchovers

Automatic switchovers are triggered without immediate intervention on your part. Oracle® Enterprise Session Border Controller s switch over automatically in the following circumstances:

- When the active Oracle® Enterprise Session Border Controller 's health score of drops below the threshold you configure.

- When a time-out occurs, meaning that the active Oracle® Enterprise Session Border Controller has not sent checkpointing messages to the standby Oracle® Enterprise Session Border Controller within the allotted time. The active Oracle® Enterprise Session Border Controller might not send checkpointing messages for various reasons such as link failure, communication loss, or advertisement loss. Even if the active Oracle® Enterprise Session Border Controller has a perfect health score, it will give up the active role if it does not send a checkpoint message or otherwise advertise its status within the time-out window. Then the standby Oracle® Enterprise Session Border Controller takes over as the active system.

When an automatic switchover happens, the Oracle® Enterprise Session Border Controller that has just become active sends an ARP message to the switch. This message informs the switch to send future messages to its MAC address. The Oracle® Enterprise Session Border Controller that has just become standby ignores any messages sent to it.

## Manual Switchovers

You can trigger a manual switchover in the HA node by using the ACLI **notify berpd force** command. This command forces the two Oracle® Enterprise Session Border Controllers in the HA node to trade roles. The active system becomes standby, and the standby becomes active.

In order to perform a successful manual switchover, the following conditions must be met.

- The Oracle® Enterprise Session Border Controller from which you trigger the switchover must be in one of the following states: active, standby, or becoming standby.
- A manual switchover to the active state is only allowed on a Oracle® Enterprise Session Border Controller in the standby or becoming standby state if it has achieved full media, signaling, and configuration synchronization.
- A manual switchover to the active state is only allowed on a Oracle® Enterprise Session Border Controller in the standby or becoming standby state if it has a health score above the value you configure for the threshold.

# 13

## Security

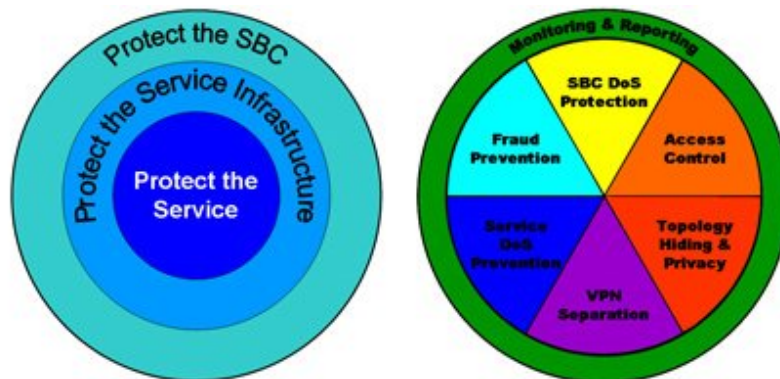
### Security

This chapter explains Oracle® Enterprise Session Border Controller security, which is designed to provide security for administrative security, VoIP and other multimedia services. It includes Admin Security, access control, DoS attack, and overload protection, which help secure service and protect the network infrastructure (including the Oracle® Enterprise Session Border Controller). In addition, Oracle® Enterprise Session Border Controller security lets legitimate users still place calls during attack conditions; protecting the service itself.

### Security Overview

Oracle® Enterprise Session Border Controller security includes the Net-SAFE framework's numerous features and architecture designs. Net-SAFE is a requirements framework for the components required to provide protection for the Session Border Controller (SBC), the service provider's infrastructure equipment (proxies, gateways, call agents, application servers, and so on), and the service itself.

The following diagrams illustrate Net-SAFE:



Each of Net-SAFE's seven functions consists of a collection of more specific features:

- Session border controller DoS protection: autonomic, SBC self-protection against malicious and non-malicious DoS attacks and overloads at Layers 2 to 4 (TCP, SYN, ICMP, fragments, and so on) and Layers 5 to 7 (SIP signaling floods, malformed messages, and so on).
- Access control: session-aware access control for signaling and media using static and dynamic permit/deny access control lists (ACLs) at layer 3 and 5.
- Topology hiding and privacy: complete infrastructure topology hiding at all protocol layers for confidentiality and attack prevention security. Also, modification, removal or insertion of call signaling application headers and fields. Includes support for the SIP Privacy RFC.

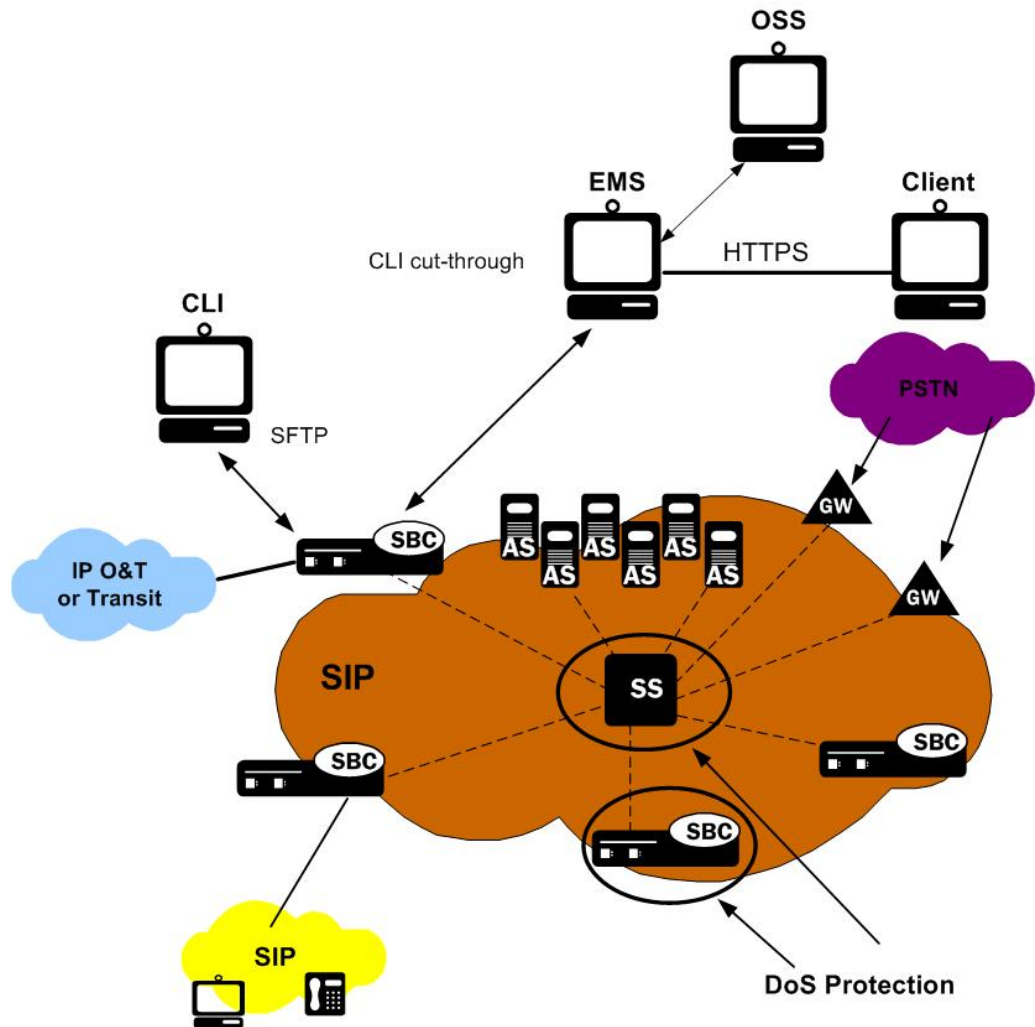
- VPN separation: support for Virtual Private Networks (VPNs) with full inter-VPN topology hiding and separation, ability to create separate signaling and media-only VPNs, and with optional intra-VPN media hair-pinning to monitor calls within a VPN.
- Service infrastructure DoS prevention: per-device signaling and media overload control, with deep packet inspection and call rate control to prevent DoS attacks from reaching service infrastructure such as SIP servers, softswitches, application servers, media servers or media gateways.
- Fraud prevention: session-based authentication, authorization, and contract enforcement for signaling and media; and service theft protection.
- Monitoring and reporting: audit trails, event logs, access violation logs and traps, management access command recording, Call Detail Records (CDRs) with media performance monitoring, raw packet capture ability and lawful intercept capability. The monitoring method itself is also secured, through the use of SSH and SFTP, and through the ability to use a separate physical Ethernet port for management access.

## Denial of Service Protection

This section explains the Denial of Service (DoS) protection for the Oracle® Enterprise Session Border Controller. The Oracle® Enterprise Session Border Controller DoS protection functionality protects softswitches and gateways with overload protection, dynamic and static access control, and trusted device classification and separation at Layers 3-5. The Oracle® Enterprise Session Border Controller itself is protected from signaling and media overload, but more importantly the feature allows legitimate, trusted devices to continue receiving service even during an attack. DoS protection prevents the Oracle® Enterprise Session Border Controller host processor from being overwhelmed by a targeted DoS attack from the following:

- IP packets from an untrusted source as defined by provisioned or dynamic ACLs
- IP packets for unsupported or disabled protocols
- Nonconforming/malformed (garbage) packets to signaling ports
- Volume-based attack (flood) of valid or invalid call requests, signaling messages, and so on.
- Overload of valid or invalid call requests from legitimate, trusted sources

The following diagram illustrates DoS protection applied to the softswitch and to the Oracle® Enterprise Session Border Controller.



## Levels of DoS Protection

The multi-level Oracle® Enterprise Session Border Controller DoS protection consists of the following strategies:

- **Fast path filtering/access control:** access control for signaling packets destined for the Oracle® Enterprise Session Border Controller host processor as well as media (RTP) packets. The Oracle® Enterprise Session Border Controller performs media filtering by using the existing dynamic pinhole firewall capabilities. Fast path filtering packets destined for the host processor require the configuration and management of a trusted list and a deny list for each Oracle® Enterprise Session Border Controller realm (although the actual devices can be dynamically trusted or denied by the Oracle® Enterprise Session Border Controller based on configuration). You do not have to provision every endpoint/device on the Oracle® Enterprise Session Border Controller, but instead retain the default values.
- **Host path protection:** includes flow classification, host path policing and unique signaling flow policing. Fast path filtering alone cannot protect the Oracle® Enterprise Session Border Controller host processor from being overwhelmed by a malicious attack from a trusted source. The host path and individual signaling flows must be policed to ensure that a volume-based attack will not overwhelm



the Oracle® Enterprise Session Border Controller's normal call processing; and subsequently not overwhelm systems beyond it.

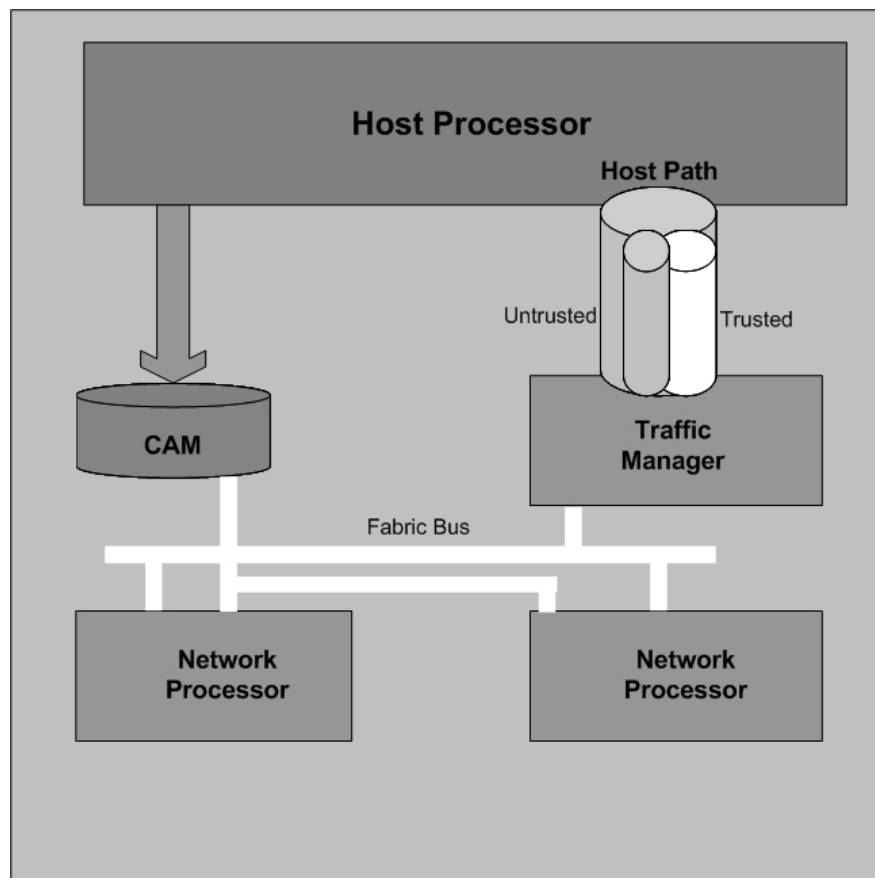
The Oracle® Enterprise Session Border Controller must classify each source based on its ability to pass certain criteria that is signaling- and application-dependent. At first each source is considered untrusted with the possibility of being promoted to fully trusted. The Oracle® Enterprise Session Border Controller maintains two host paths, one for each class of traffic (trusted and untrusted), with different policing characteristics to ensure that fully trusted traffic always gets precedence.

- Host-based malicious source detection and isolation – dynamic deny list. Malicious sources can be automatically detected in real-time and denied in the fast path to block them from reaching the host processor.

## About the Process

DoS attacks are handled in the Oracle® Enterprise Session Border Controller's host path. The Oracle® Enterprise Session Border Controller uses NAT table entries to filter out undesirable IP addresses; creating a deny list. After a packet from an endpoint is accepted through NAT filtering, policing is implemented in the Traffic Manager subsystem based on the sender's IP address. NAT table entries distinguish signaling packets coming in from different sources for policing purposes. The maximum number of policed calls that the Oracle® Enterprise Session Border Controller can support is 16K (on 32K CAM / IDT CAM).

The Traffic Manager has two pipes, trusted and untrusted, for the signaling path. Each signaling packet destined for the host CPU traverses one of these two pipes.



## Trusted Path

Packets from trusted devices travel through the trusted pipe in their own individual queues. In the Trusted path, each trusted device flow has its own individual queue (or pipe). The Oracle® Enterprise Session Border Controller can dynamically add device flows to the trusted list by promoting them from the Untrusted path based on behavior; or they can be statically provisioned.

Trusted traffic is put into its own queue and defined as a device flow based on the following:

- source IP address
- source UDP/TCP port number
- destination IP address
- destination UDP/TCP port (SIP interface to which it is sending)
- realm it belongs to, which inherits the Ethernet interface and VLAN it came in on

For example, SIP packets coming from 10.1.2.3 with UDP port 1234 to the Oracle® Enterprise Session Border Controller SIP interface address 11.9.8.7 port 5060, on VLAN 3 of Ethernet interface 0:1, are in a separate Trusted queue and policed independently from SIP packets coming from 10.1.2.3 with UDP port 3456 to the same Oracle® Enterprise Session Border Controller address, port and interface.

Data in this flow is policed according to the configured parameters for the specific device flow, if statically provisioned. Alternatively, the realm to which endpoints belong have a default policing value that every device flow will use. The defaults configured in the realm mean each device flow gets its own queue using the policing values. As shown in the previous example, if both device flows are from the same realm and the realm is configured to have an average rate limit of 10K bytes per second (10KBps), each device flow will have its own 10KBps queue. They are not aggregated into a 10KBps queue.

The individual flow queues and policing lets the Oracle® Enterprise Session Border Controller provide each trusted device its own share of the signaling, separate the device's traffic from other trusted and untrusted traffic, and police its traffic so that it can't attack or overload the Oracle® Enterprise Session Border Controller (therefore it is trusted, but not completely).

## Address Resolution Protocol Flow

The Address Resolution Protocol (ARP) packets are given their own trusted flow with the bandwidth limitation of 8 Kbps. ARP packets are able to flow smoothly, even when a DoS attack is occurring.

## Untrusted Path

Packets (fragmented and unfragmented) that are not part of the trusted or denied list travel through the untrusted pipe. In the untrusted path, traffic from each user/device goes into one of 2048 queues with other untrusted traffic. Packets from a single device flow always use the same queue of the 2048 untrusted queues, and 1/2048th of the untrusted population also uses that same queue. To prevent one untrusted endpoint from using all the pipe's bandwidth, the 2048 flows defined within the path are scheduled in a fair-access method. As soon as the Oracle® Enterprise Session

Border Controller decides the device flow is legitimate, it will promote it to its own trusted queue.

All 2048 untrusted queues have dynamic sizing ability, which allows one untrusted queue to grow in size, as long as other untrusted queues are not being used proportionally as much. This dynamic queue sizing allows one queue to use more than average when it is available. For example, in the case where one device flow represents a PBX or some other larger volume device. If the overall amount of untrusted packets grows too large, the queue sizes rebalance, so that a flood attack or DoS attack does not create excessive delay for other untrusted devices.

In the usual attack situations, the signaling processor detects the attack and dynamically demotes the device to denied in the hardware by adding it to the deny ACL list. Even if the Oracle® Enterprise Session Border Controller does not detect an attack, the untrusted path gets serviced by the signaling processor in a fair access mechanism. An attack by an untrusted device will only impact 1/1000th of the overall population of untrusted devices, in the worst case. Even then there's a probability of users in the same 1/1000th percentile getting in and getting promoted to trusted.

## IP Fragment Packet Flow

All fragment packets are sent through their own 1024 untrusted flows in the Traffic Manager. The first ten bits (LSB) of the source address are used to determine which fragment-flow the packet belongs to. These 1024 fragment flows share untrusted bandwidth with already existing untrusted-flows. In total, there are 2049 untrusted flows: 1024-non-fragment flows, 1024 fragment flows, and 1 control flow.

Fragmented ICMP packets are qualified as ICMP packets rather than fragment packets. Fragment and non-fragmented ICMP packets follow the trusted-ICMP-flow in the Traffic Manager, with a bandwidth limit of 8Kbs.

## Fragment Packet Loss Prevention

You can set the maximum amount of bandwidth (in the **max-untrusted-signaling** parameter) you want to use for untrusted packets. However, because untrusted and fragment packets share the same amount of bandwidth for policing, any flood of untrusted packets can cause the Oracle® Enterprise Session Border Controller to drop fragment packets.

To prevent fragment packet loss on the Acme Packet 3820 and Acme Packet 4500, you can set the **fragment-msg-bandwidth**. When you set any value other than 0 (which disables it), the Oracle® Enterprise Session Border Controller:

- Provides for a separate policing queue for fragment packets (separate from that used for untrusted packets)
- Uses this new queue to prevent fragment packet loss when there is a flood from untrusted endpoints.

When you set up a queue for fragment packets, untrusted packets likewise have their own queue—meaning also that the **max-untrusted-signaling** and **min-untrusted-signaling** values are applied to the untrusted queue.

## Static and Dynamic ACL Entry Limits

The Oracle® Enterprise Session Border Controller can simultaneously police a maximum of 250,000 trusted device flows, while at the same time denying an

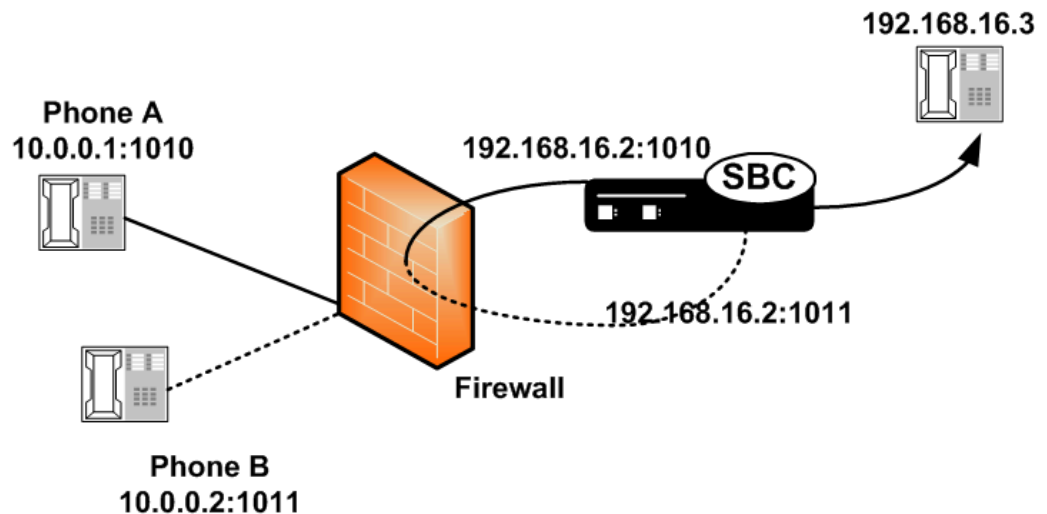
additional 32,000 attackers. If list space becomes full and additional device flows need to be added, the oldest entries in the list are removed and the new device flows are added.

## Dynamic Deny for HNT

Dynamic deny for HNT has been implemented on the Oracle® Enterprise Session Border Controller for cases when callers are behind a NAT or firewall. Without this feature, if one caller behind a NAT or firewall were denied, the Oracle® Enterprise Session Border Controller would also deny all other users behind the same NAT or firewall. This would be true even for endpoints behind the firewall that had not crossed threshold limits you set for their realm; all endpoints behind the firewall would go out of service. In the following diagram, both Phone A and Phone B would be denied because their IP addresses would be translated by the firewall to the same IPv4 address (192.168.16.2).

However, dynamic deny for HNT allows the Oracle® Enterprise Session Border Controller to determine, based on the UDP/TCP port, which endpoints should be denied and which should be allowed. The Oracle® Enterprise Session Border Controller can determine that even though multiple endpoints originating behind a firewall appear with the same IPv4 address, those addresses use different ports and are unique.

As shown in the diagram below, the ports from Phone A and Phone B remain unchanged. This way, if Phone A violates the thresholds you have configured, the Oracle® Enterprise Session Border Controller can block traffic from Phone A while still accepting traffic from Phone B.



## Host and Media Path Protection Process

The Oracle® Enterprise Session Border Controller Network Processors (NPs) check the deny and permit lists for received packets, and classify them as trusted, untrusted or denied (discard). Only packets to signaling ports and dynamically signaled media ports are permitted. All other packets sent to Oracle® Enterprise Session Border Controller ports are filtered. Only packets from trusted and untrusted (unknown) sources are permitted; any packet from a denied source is dropped by the NP

hardware. The Traffic Manager manages bandwidth policing for trusted and untrusted traffic, as described earlier. Malicious traffic is detected in the host processor and the offending device is dynamically added to denied list, which enables early discard by the NP. Devices become trusted based on behavior detected by the Signaling Processor, and dynamically added to the trusted list. This process enables the proper classification by the NP hardware. All other traffic is untrusted (unknown).

## E-SBC Access Control

You can create static trusted/untrusted/deny lists with source IP addresses or IP address prefixes, UDP/TCP port number or ranges, and based on the appropriate signaling protocols. Furthermore, the Oracle® Enterprise Session Border Controller can dynamically promote and demote device flows based on the behavior, and thus dynamically creates trusted, untrusted, and denied list entries.

## Access Control for Hosts

ACLs are supported for all VoIP signaling protocols on the Oracle® Enterprise Session Border Controller: SIP and H.323. The Oracle® Enterprise Session Border Controller loads ACLs so they are applied when signaling ports are loaded. The following rules apply to static NAT entries based on your configuration:

- If there are no ACLs applied to a realm that have the same configured trust level as that realm, the Oracle® Enterprise Session Border Controller adds a default NAT entry using the realm parameters.
- If you configure a realm with none as its trust level and you have configured ACLs, the Oracle® Enterprise Session Border Controller only applies the ACLs.
- If you set a trust level for the ACL that is lower than the one you set for the realm, the Oracle® Enterprise Session Border Controller will not add a separate NAT entry for the ACL.

ACLs provide access control based on destination addresses when you configure destination addresses as a way to filter traffic. You can set up a list of access control exceptions based on the source or the destination of the traffic.

For dynamic ACLs based on the promotion and demotion of endpoints, the rules of the matching ACL are applied.

## Media Access Control

The media access control consists of media path protection and pinholes through the firewall. Only RTP and RTCP packets from ports dynamically negotiated through signaling (SIP and H.323) are allowed, which reduces the chance of RTP hijacking. Media access depends on both the destination and source RTP/RTCP UDP port numbers being correct, for both sides of the call.

## Host Path Traffic Management

The host path traffic management consists of the dual host paths discussed earlier:

- Trusted path is for traffic classified by the system as trusted. You can initially define trusted traffic by ACLs, as well as by dynamically promoting it through successful SIP registration, or a successful call establishment. You can configure specific policing parameters per ACL, as well as define default policing values

for dynamically-classified flows. Traffic for each trusted device flow is limited from exceeding the configured values in hardware. Even an attack from a trusted, or spoofed trusted, device cannot impact the system.

- Untrusted path is the default for all unknown traffic that has not been statically provisioned otherwise. For example, traffic from unregistered endpoints. Pre-configured bandwidth policing for all hosts in the untrusted path occurs on a per-queue and aggregate basis.

## Traffic Promotion

Traffic is promoted from untrusted to trusted list when the following occurs:

- successful SIP registration for SIP endpoints
- successful session establishment for SIP calls

## Malicious Source Blocking

Malicious source blocking consists of monitoring the following metrics for each source:

- SIP transaction rate (messages per second)
- SIP call rate (call attempts per second)
- Nonconformance/invalid signaling packet rate

Device flows that exceed the configured invalid signaling threshold, or the configured valid signaling threshold, within the configured time period are demoted, either from trusted to untrusted, or from untrusted to denied classification.

## Blocking Actions

Blocking actions include the following:

- Dynamic deny entry added, which can be viewed through the ACLI.
- SNMP trap generated, identifying the malicious source

Dynamically added deny entries expire and are promoted back to untrusted after a configured default deny period time. You can also manually clear a dynamically added entry from the denied list using the ACLI.

## Protecting Against Session Agent Overloads

You can prevent session agent overloads with registrations by specifying the registrations per second that can be sent to a session agent.

## ARP Flood Protection Enhancements

Enhancements have been made to the way the Oracle® Enterprise Session Border Controller provides ARP flood protection. In releases prior to Release C5.0, there is one queue for both ARP requests and responses, which the Oracle® Enterprise Session Border Controller polices at a non-configurable limit (eight kilobytes per second). This method of ARP protection can cause problems during an ARP flood, however. For instance, gateway heartbeats the Oracle® Enterprise Session Border Controller uses to verify (via ARP) reachability for default and secondary gateways

could be throttled; the Oracle® Enterprise Session Border Controller would then deem the router or the path to it unreachable, decrement the system's health score accordingly. Another example is when local routers send ARP requests for the Oracle® Enterprise Session Border Controller's address are throttled in the queue; the Oracle® Enterprise Session Border Controller never receives the request and so never responds, risking service outage.

The solution implemented to resolve this issue is to divide the ARP queue in two, resulting in one ARP queue for requests and a second for responses. This way, the gateway heartbeat is protected because ARP responses can no longer be flooded from beyond the local subnet. In addition, the Oracle® Enterprise Session Border Controllers in HA nodes generate gateway heartbeats using their shared virtual MAC address for the virtual interface.

In addition, this solution implements a configurable ARP queue policing rate so that you are not committed to the eight kilobytes per second used as the default in prior releases. The previous default is not sufficient for some subnets, and higher settings resolve the issue with local routers sending ARP request to the Oracle® Enterprise Session Border Controller that never reach it or receive a response.

As a security measure, in order to mitigate the effect of the ARP table reaching its capacity, configuring the media-manager option, **active-arp**, is advised. Enabling this option causes all ARP entries to get refreshed every 20 minutes.

## Dynamic Demotion for NAT Devices

In addition to the various ways the Oracle® Enterprise Session Border Controller already allows you to promote and demote devices to protect itself and other network elements from DoS attacks, it can now block off an entire NAT device. The Oracle® Enterprise Session Border Controller can detect when a configurable number of devices behind a NAT have been blocked off, and then shut off the entire NAT's access.

This dynamic demotion of NAT devices can be enabled for an access control (ACL) configuration or for a realm configuration. When you enable the feature, the Oracle® Enterprise Session Border Controller tracks the number of endpoints behind a single NAT that have been labeled untrusted. It shuts off the NAT's access when the number reaches the limit you set.

The demoted NAT device then remains on the untrusted list for the length of the time you set in the **deny-period**.

## DDoS Protection from Devices Behind a NAT

A DDoS attack could be crafted such that multiple devices from behind a single NAT could overwhelm the Oracle® Enterprise Session Border Controller. The Oracle® Enterprise Session Border Controller would not detect this as a DDoS attack because each endpoint would have the same source IP but multiple source ports. Because the Oracle® Enterprise Session Border Controller allocates a different CAM entry for each source IP:Port combination, this attack will not be detected. This feature remedies such a possibility.



## Configuring DoS Security

This section explains how to configure the Oracle® Enterprise Session Border Controller for DoS protection.

### Configuration Overview

Configuring Oracle® Enterprise Session Border Controller DoS protection includes masking source IP and port parameters to include more than one match and configuring guaranteed minimum bandwidth for trusted and untrusted signaling path. You can also configure signaling path policing parameters for individual source addresses. Policing parameters are defined as peak data rate (in bytes/sec), average data rate (in bytes/sec), and maximum burst size.

You can configure deny list rules based on the following:

- ingress realm
- source IP address
- source port
- transport protocol (TCP/UDP)
- application protocol (SIP or H.323)

Exercise caution when configuring ACLs, noting that the syntax of your entry is correct. The E-SBC sets ACL fields with incorrect syntax to their defaults.

For example, the default source IP address for an ACL is 0.0.0.0. If using dynamic ACLs, this default address can overwrite the applicable realm's default ACL. If this ACL also has the default trust level of **none**, it would prevent the E-SBC from promoting any traffic on that realm to trusted.

Confirm the syntax of your configured ACLs before you save and activate them.

### Changing the Default Oracle® Enterprise Session Border Controller Behavior

The Oracle® Enterprise Session Border Controller automatically creates permit untrusted ACLs that let all sources (address prefix of 0.0.0.0/0) reach each configured realm's signaling interfaces, regardless of the realm's address prefix. To deny sources or classify them as trusted, you create static or dynamic ACLs, and the global permit untrusted ACL to specifically deny sources or classify them as trusted. Doing this creates a default permit-all policy with specific deny and permit ACLs based on the realm address prefix.

You can change that behavior by configuring static ACLs for realms with the same source prefix as the realm's address prefix; and with the trust level set to the same value as the realm. Doing this prevents the permit untrusted ACLs from being installed. You then have a default deny all ACL policy with specific static permit ACLs to allow packets into the system.



## Example 1 Limiting Access to a Specific Address Prefix Range

The following example shows how to install a permit untrusted ACL of source 12.34.0.0/16 for each signalling interface/port of a realm called access. Only packets from within the source address prefix range 12.34.0.0/16, destined for the signaling interfaces/port of the realm named access, are allowed. The packets go into untrusted queues until they are dynamically demoted or promoted based on their behavior. All other packets are denied/dropped.

- Configure a realm called access and set the trust level to low and the address prefix to 12.34.0.0/16.
- Configure a static ACL with a source prefix of 12.34.0.0/16 with the trust level set to low for the realm named access.

## Example 2 Classifying the Packets as Trusted

Building on Example 1, this example shows how to classify all packets from 12.34.0.0/16 to the realm signaling interfaces as trusted and place them in a trusted queue. All other packets from outside the prefix range destined to the realm's signaling interfaces are allowed and classified as untrusted; then promoted or demoted based on behavior.

You do this by adding a global permit untrusted ACL (source 0.0.0.0) for each signaling interface/port of the access realm. You configure a static ACL with a source prefix 12.34.0.0/16 and set the trust level to high.

Adding this ACL causes the Oracle® Enterprise Session Border Controller to also add a permit trusted ACL with a source prefix of 12.34.0.0/16 for each signaling interface/port of the access realm. This ACL is added because the trust level of the ACL you just added is high and the realm's trust level is set to low. The trust levels must match to remove the global permit trusted ACL.

## Example 3 Installing Only Static ACLs

This example shows you how to prevent the Oracle® Enterprise Session Border Controller from installing the global permit (0.0.0.0) untrusted ACL.

- Configure a realm with a trust level of none.
- Configure static ACLs for that realm with the same source address prefix as the realm's address prefix, and set the trust level to any value.

The system installs only the static ACLs you configure.

## Access Control List Configuration

To configure access control lists:

1. Access the access-control configuration element.

```
ACMEPACKET# configure terminal
ACMEPACKET(configure)# session-router
ACMEPACKET(session-router)# access-control
ACMEPACKET(access-control)#
```

2. Type select to choose and configure an existing object.

```
ACMEPACKET(access-control)# select
<src-ip>:
1: src 0.0.0.0; 0.0.0.0; realm01; ; ALL
```

3. **realm-id**—Enter the ID of the host's ingress realm.
4. **source-address**—Enter the source IPv4 address and port number for the host in the following format:

```
<IP address>[/number of address bits][[:<port>][/<port bits>]]
```

For example:

```
10.0.0.1/24:5000/14
10.0.0.1/16
10.0.0.1/24:5000
10.0.0.1:5000
```

You do not need to specify the number of address bits if you want all 32 bits of the address to be matched. You also do not need to specify the port bits if you want the exact port number matched. If you do not set the port mask value or if you set it to 0, the exact port number will be used for matching. The default value is **0.0.0.0**.

5. **destination-address**—(Is ignored if you configure an application protocol in step 7.) Enter the destination IPv4 address and port for the destination in the following format:

```
<IP address>[/number of address bits][[:<port>][/<port bits>]]
```

You do not need to specify the number of address bits if you want all 32 bits of the address to be matched. You also do not need to specify the port bits if you want the exact port number matched. If you do not set the port mask value or if you set it to 0, the exact port number will be used for matching. The default value is **0.0.0.0**.

6. **application-protocol**—Enter the application protocol type for this ACL entry. The valid values are:
  - SIP | H.323 | None

 **Note:**

If application-protocol is set to none, the destination-address and port will be used. Ensure that your destination-address is set to a non-default value (0.0.0.0.)

7. **transport-protocol**—Select the transport-layer protocol configured for this ACL entry. The default value is **ALL**. The valid values are:
  - ALL | TCP | UDP

8. **access**—Enter the access control type or trusted list based on the trust-level parameter configuration for this host. The default value is **permit**. The valid values are:
  - **permit**—Puts the entry into the untrusted list. The entry is promoted or demoted according to the trust level set for this host.
  - **deny**—Puts the entry in the deny list.
9. **average-rate-limit**—Indicate the sustained rate in bytes per second for host path traffic from a trusted source within the realm. The default value is **0**. A value of **0** means policing is disabled. The valid range is:
  - Minimum—0
  - Maximum—999999999
10. **trust-level**—Indicate the trust level for the host with the realm. The default value is **none**. The valid values are:
  - **none**—Host is always untrusted. It is never promoted to the trusted list or demoted to the deny list.
  - **low**—Host can be promoted to the trusted list or demoted to the deny list.
  - **medium**—Host can be promoted to the trusted list but is only demoted to untrusted. It is never added to the deny list.
  - **high**—Host is always trusted.
11. **invalid-signal-threshold**— Enter the number of invalid signaling messages that trigger host demotion. The value you enter here is only valid when the trust level is low or medium. Available values are:
  - Minimum—Zero (0) is disabled.
  - Maximum—999999999

If the number of invalid messages exceeds this value based on the tolerance window parameter, configured in the media manager, the host is demoted.

The tolerance window default is 30 seconds. Bear in mind, however, that the system uses the same calculation it uses for specifying "recent" statistics in show commands to determine when the number of signaling messages exceeds this threshold. This calculation specifies a consistent start time for each time period to compensate for the fact that the event time, such as a user running a show command, almost never falls on a time-period's border. This provides more consistent periods of time for measuring event counts.

The result is that this invalid signal count increments for two tolerance windows, 60 seconds by default, within which the system monitors whether or not to demote the host. The signal count for the current tolerance window is always added to the signal count of the previous tolerance window and compared against your setting.
12. **maximum-signal-threshold**—Set the maximum number of signaling messages the host can send within the tolerance window. The value you enter here is only valid when the trust level is low or medium. The default value is **0**, disabling this parameter. The valid range is:
  - Minimum—0
  - Maximum—999999999

If the number of messages received exceeds this value within the tolerance window, the host is demoted.

13. **untrusted-signal-threshold**—Set the maximum number of untrusted messages the host can send within the tolerance window. Use to configure different values for trusted and un-trusted endpoints for valid signaling message parameters. Also configurable per realm. The default value is **0**, disabling this parameter. The valid range is:
  - Minimum—0
  - Maximum—999999999
14. **deny-period**—Indicate the time period in seconds after which the entry for this host is removed from the deny list. The default value is **30**. The valid range is:
  - Minimum—0
  - Maximum—999999999
15. **nat-trust-threshold**—Enter the number of endpoints behind a NAT that must be denied for the Oracle® Enterprise Session Border Controller to demote the NAT device itself to denied (dynamic demotion of NAT devices). The default is 0, meaning dynamic demotion of NAT devices is disabled. The range is from 0 to 65535.

The following example shows access control configured for a host in the external realm.

```
access-control
    realm-id                external
    source-address          192.168.200.215
    destination-address     192.168.10.2:5000
    application-protocol    SIP
    transport-protocol      ALL
    access                  permit
    average-rate-limit      3343
    trust-level             low
    invalid-signal-threshold 5454
    maximum-signal-threshold 0
    untrusted-signal-threshold 0
    deny-period             0
```

The following example of how to configure a black-list entry:

```
access-control
    realm-id                external
    source-address          192.168.200.200
    destination-address     192.168.10.2:5000
    application-protocol    SIP
    transport-protocol      ALL
    access                  deny
    average-rate-limit      0
    trust-level             none
    invalid-signal-threshold 0
    maximum-signal-threshold 0
    untrusted-signal-threshold 0
    deny-period             0
```

## Host Access Policing

You can configure the Oracle® Enterprise Session Border Controller to police the overall bandwidth of the host path.

To configure host access policing:

1. Access the **media-manager-config** configuration element.

```
ORACLE# configure terminal
ORACLE(configure)# media-manager
ORACLE(media-manager)# media-manager
ORACLE(media-manager-config)#
```

2. Type select to begin editing.

```
ORACLE(media-manager-config)# select

ORACLE(media-manager-config)#
```

3. **max-signaling-bandwidth**—Set the maximum bandwidth available for the host path in bytes per second, which includes signaling messages from trusted sources, untrusted sources, and any management traffic on media ports. This setting applies to the following platforms, only: Acme Packet 4600, Acme Packet 6100, Acme Packet 6300, and Acme Packet 6350. Default: 1000000. Range: 71000-10000000.
4. **max-signaling-packet**—Set the maximum bandwidth available for the host path in packets per second, which includes signaling messages from trusted sources, untrusted sources, and any management traffic on media ports. This setting applies to the following platforms, only: Acme Packet 1100, Acme Packet 3900, and virtual. The default setting corresponds to the maximum value allowed by the platform, as follows:
  - Acme Packet 1100: 10000
  - Acme Packet 3900: 40000
  - Virtual: System dependent.
5. **max-untrusted-signaling**—Set the percentage of the maximum signaling bandwidth you want to make available for messages coming from untrusted sources. This bandwidth is available only when not being used by trusted sources. Default: 100. Range:1-100.
6. **min-untrusted-signaling**—Set the percentage of the maximum signaling bandwidth you want reserved for untrusted sources. The rest of the bandwidth is available for trusted resources, but can also be used for untrusted sources per max-untrusted-signaling. Default: 30. Range: 1-100.
7. **fragment-msg-bandwidth**—Enter the amount of bandwidth to use for the fragment packet queue. When set to 0, the Oracle® Enterprise Session Border Controller uses the same queue for and sharing bandwidth between untrusted packets and fragment packets. Default: zero. Range: 0-10000000.
8. **tolerance-window**—Set the size of the window used to measure host access limits for measuring the invalid message rate and maximum message rate for the realm configuration. Default: 30. Range: 0-999999999.

9. Save and activate the configuration.

## Configuring ARP Flood Protection

You do not need to configure the Oracle® Enterprise Session Border Controller to enable the use of two separate ARP queues; that feature is enabled automatically.

If you want to configure the ARP queue policing rate, you can do so in the media manager configuration.

 **Note:**

this feature is not RTC-supported, and you must reboot your Oracle® Enterprise Session Border Controller in order for your configuration changes to take effect.

To set the ARP queue policing rate:

1. In Superuser mode, type **configure terminal** and press Enter.

```
ORACLE# configure terminal
```

2. Type **media-manager** and press Enter.

```
ORACLE(configure)# media-manager  
ORACLE(media-manager)#
```

3. Enter **media-manager** and press <Enter>.

```
ORACLE(media-manager)# media-manager  
ORACLE(media-manager-config)#
```

4. **arp-msg-bandwidth**—Enter the rate at which you want the Oracle® Enterprise Session Border Controller to police the ARP queue; the value you enter is the bandwidth limitation in bytes per second. The default value is **32000**. The valid range is:

- Minimum—2000
- Maximum—200000

5. Save your configuration.
6. Reboot your Oracle® Enterprise Session Border Controller.

## Access Control for a Realm

Each host within a realm can be policed based on average rate, peak rate, and maximum burst size of signaling messages. These parameters take effect only when the host is trusted. You can also set the trust level for the host within the realm. All untrusted hosts share the bandwidth defined for the media manager: maximum untrusted bandwidth and minimum untrusted bandwidth.

To configure access control for a realm:

1. In Superuser mode, type **configure terminal** and press Enter.

```
ORACLE# configure terminal
```

2. Type **media-manager** and press Enter to access the system-level configuration elements.

```
ORACLE(configure)# media-manager
```

3. Type **realm-config** and press Enter. The system prompt changes to let you know that you can begin configuring individual parameters.

```
ORACLE(media-manager)# realm-config  
ORACLE(realm-config)#
```

4. **addr-prefix**—Set the IP address prefix used to determine if an IP address is associated with the realm. This value is then associated with the ACLs you create to determine packet access. The default value is **0.0.0.0**.
5. **average-rate-limit**—Set the sustained rate for host path traffic from a trusted source within the realm in bytes per second. The default value is zero (**0**), disabling this parameter. The valid range is:
  - Minimum—0
  - Maximum—4294967295
6. **access-control-trust-level**—Set the trust level for the host within the realm. The default value is **none**. The valid values are:
  - **none**—Host is always untrusted. It is never promoted to the trusted list or demoted to the deny list.
  - **low**—Host can be promoted to the trusted list or demoted to the deny list.
  - **medium**—Host can be promoted to the trusted list but is only demoted to untrusted. It is never added to the deny list.
  - **high**—Host is always trusted.
7. **invalid-signal-threshold**— Enter the number of invalid signaling messages that trigger host demotion. The value you enter here is only valid when the trust level is low or medium. Available values are:
  - Minimum—Zero (0) is disabled.
  - Maximum—999999999

If the number of invalid messages exceeds this value based on the tolerance window parameter, configured in the media manager, the host is demoted.

The tolerance window default is 30 seconds. Bear in mind, however, that the system uses the same calculation it uses for specifying "recent" statistics in show commands to determine when the number of signaling messages exceeds this threshold. This calculation specifies a consistent start time for each time period to compensate for the fact that the event time, such as a user running a show command, almost never falls on a time-period's border. This provides more consistent periods of time for measuring event counts.

The result is that this invalid signal count increments for two tolerance windows, 60 seconds by default, within which the system monitors whether or not to demote the host. The signal count for the current tolerance window

is always added to the signal count of the previous tolerance window and compared against your setting.

8. **maximum-signal-threshold**—Set the maximum number of signaling messages one host can send within the window of tolerance. The host is demoted if the number of messages received by the Oracle® Enterprise Session Border Controller exceeds the number set here. Valid only when the trust level is set to low or medium. The default value is zero (**0**), disabling this parameter. The valid range is:
  - Minimum—0
  - Maximum—4294967295
9. **untrusted-signal-threshold**—Set the maximum number of untrusted messages the host can send within the tolerance window. Use to configure different values for trusted and un-trusted endpoints for valid signaling message parameters. Also configurable per realm. The default value is zero (**0**), disabling the parameter. The valid range is:
  - Minimum—0
  - Maximum—4294967295
10. **deny-period**—Set the length of time an entry is posted on the deny list. The host is deleted from the deny list after this time period. The default value is **30**. A value of **0** disables the parameter. The valid range is:
  - Minimum—0
  - Maximum—4294967295
11. **nat-trust-threshold**—Enter the number of endpoints behind a NAT that must be denied for the Oracle® Enterprise Session Border Controller to demote the NAT device itself to denied (dynamic demotion of NAT devices). The default is 0, meaning dynamic demotion of NAT devices is disabled. The range is from 0 to 65535.

The following example shows a host access policing configuration.

```

realm-config
    identifier                private
    addr-prefix               192.168.200.0/24
    network-interfaces
                                prviate:0
    mm-in-realm               disabled
    mm-in-network             enabled
    msm-release               disabled
    qos-enable                disabled
    max-bandwidth             0
    ext-policy-svr
    max-latency               0
    max-jitter                0
    max-packet-loss           0
    observ-window-size        0
    parent-realm
    dns-realm
    media-policy
    in-translationid
    out-translationid
  
```



```
class-profile
average-rate-limit          8000
access-control-trust-level  medium
invalid-signal-threshold   200
maximum-signal-threshold   0
untrusted-signal-threshold 500
deny-period                 30
symmetric-latching         disabled
pai-strip                   disabled
trunk-context
```

## Configuring Overload Protection for Session Agents

The Oracle® Enterprise Session Border Controller offers two methods to control SIP registrations to smooth the registration flow.

You can limit the:

- number of new register requests sent to a session agent (using the **max-register-sustain-rate** parameter)
- burstiness which can be associated with SIP registrations

The first method guards against the Oracle® Enterprise Session Border Controller's becoming overwhelmed with register requests, while the second method guards against a transient registration that can require more than available registration resources.

SIP registration burst rate control allows you to configure two new parameters per SIP session agent—one that controls the registration burst rate to limit the number of new registration requests, and a second to set the time window for that burst rate. When the registration rate exceeds the burst rate you set, the Oracle® Enterprise Session Border Controller responds to new registration requests with 503 Service Unavailable messages.

Note that this constraint is not applied to re-registers resulting from a 401 Unauthorized challenge request.

To configure overload protection for session agents:

1. In Superuser mode, type **configure terminal** and press Enter.

```
ORACLE# configure terminal
```

2. Type **session-router** and press Enter to access the system-level configuration elements.

```
ORACLE(configure)# session-router
```

3. Type **session-agent** and press Enter. The system prompt changes to let you know that you can begin configuring individual parameters.

```
ORACLE(session-router)# session-agent
ORACLE(session-agent)#
```

4. **constraints**—Enable this parameter to set the sustained rate window constraint you configure in the next step. The default value is **disabled**. The valid values are:

- enabled | disabled
5. **sustain-rate-window**—Enter a number to set the sustained window period (in milliseconds) that is used to measure the sustained rate. The default value is zero (0). The valid range is:
    - Minimum—10
    - Maximum—4294967295

The value you set here must be higher than or equal to the value you set for the burst rate window.

 **Note:**

If you are going to use this parameter, you must set it to a minimum value of 10.

6. **max-register-sustain-rate**—Enter a number to set the maximum number of registrations per second you want sent to the session agent. The default value is zero (0), disabling the parameter. The valid range is:
  - Minimum—0
  - Maximum—4294967295
7. **register-burst-window**—Define the window size in seconds for the maximum number of allowable SIP registrations. 0 is the minimum and default value for this parameter; the maximum value is 999999999.
8. **max-register-burst-rate**—Enter the maximum number of new registrations you want this session agent to accept within the registration burst rate window. If this threshold is exceeded, the Oracle® Enterprise Session Border Controller will respond to new registration requests with 503 Service Unavailable messages. 0 is the minimum and default value for this parameter; the maximum value is 999999999.
9. Save and activate your configuration.

## Media Policing

Media policing controls the throughput of individual media flows in the Oracle® Enterprise Session Border Controller, which in turn provides security and bandwidth management functionality. The media policing feature works for SIP, H.323 and SIP-H.323 protocols. The media policing feature also lets you police static flows and RTP flows.

The term media policing refers to flows that go through the Oracle® Enterprise Session Border Controller. Flows that are directed to the host application are not affected by media policing.

You can use media policing to protect against two potential security threats that can be directed against your Oracle® Enterprise Session Border Controller:

- **Media DoS**—Once media flows are established through the Oracle® Enterprise Session Border Controller, network resources are open to RTP media flooding. You can eliminate the threat of a media DoS attack by constraining media flows to absolute bandwidth thresholds.

- Bandwidth Piracy—Bandwidth policing ensures that sessions consume no more bandwidth than what is signaled for.

## Policing Methods

The Oracle® Enterprise Session Border Controller polices real-time traffic by using Constant Bit Rate (CBR) media policing. CBR policing is used when a media flow requires a static amount of bandwidth to be available during its lifetime. CBR policing best supports real-time applications that have tightly constrained delay variation. For example, voice and video streaming are prime candidates for CBR policing.

## Session Media Flow Policing

Session media encompasses RTP and RTCP flows. In order to select policing constraints for these flows, the Oracle® Enterprise Session Border Controller watches for the codec specified in an SDP or H.245 message. When a match is made between the codec listed in an incoming session request and a configured **media-profile** configuration element, the Oracle® Enterprise Session Border Controller applies that **media-profile's** bandwidth policing constraint to the media flow about to start.

If multiple codecs are listed in the SDP message, the Oracle® Enterprise Session Border Controller will use the **media-profile** with the most permissive media policing constraints for all of the flows associated with the session. If a codec in the H.245/SDP message is not found in any configured **media-profile**, the Oracle® Enterprise Session Border Controller uses the **media-profile** with the most permissive media policing constraints configured. If no **media-profiles** are configured, there will be no session media flow policing.

If a mid-call change occurs, bandwidth policing is renegotiated.

## Static Flow Policing

Static flows can also be policed in the same way as media flows are policed. A static flow configuration redirects flows entering the Oracle® Enterprise Session Border Controller on a media interface. The redirection is based on realm, source, destination, and protocol. When a flow matches the configured static flow criteria, besides being redirected toward a specified destination, its rate can also be controlled based on a static flow policing parameter found in the **static-flow** element. Static flow policing operates obliviously to the data contained within the flow.

## Configuration Notes

Review the following information before configuring your Oracle® Enterprise Session Border Controller to perform media policing.

## Session Media Flow Policing

Session media flow policing applies to both RTP and RTCP flows. Setting either of the parameters listed below to 0 disables media policing, letting RTP or RTCP flows pass through the system unrestricted.

- RTP Policing
  - Set in the **media-profile** configuration element's **average-rate-limit** parameter to police RTP traffic with the CBR policing method.

- **average-rate-limit**—Establishes the maximum speed for a flow in bytes per second.
- RTCP Policing
  - Set in the **media-manager-config** configuration element's **rtcp-rate-limit** parameter to police RTCP traffic with the CBR policing method.
  - **rtcp-rate-limit**—Establishes the maximum speed for an RTCP flow in bytes per second.

## Static Flow Policing

Static flow policing is configured with one parameter found in the **static-flow** configuration element. To configure CBR, you have to set the **average-rate-limit** parameter to a non-zero value. Setting the parameter listed below to 0 disables static flow policing, effectively letting the flow pass through the Oracle® Enterprise Session Border Controller unrestricted.

In a CBR configuration, the **average-rate-limit** parameter determines the maximum bandwidth available to the flow.

- **average-rate-limit**—Establishes the maximum speed for a static flow in bytes per second.



### Note:

Static flow policing is not necessarily tied to any type of media traffic, it can affect flows of any traffic type.

## Media Policing Configuration for RTP Flows

You can configure media policing in the **media-profile** configuration element using the ACLI. In the following example, you will configure media policing for the G723 media profile.

To configure media policing for RTP flows:

1. In Superuser mode, type **configure terminal** and press Enter.

```
ORACLE# configure terminal
```

2. Type **session-router** and press Enter to access the **session-router** path.

```
ORACLE(configure)# session-router
```

3. Type **media-profile** and press Enter. The system prompt changes to let you know that you can begin configuring individual parameters.

```
ORACLE(session-router)# media-profile
```

4. Select an existing media profile to which you will add policing constraints.

```
ORACLE(media-profile)# select
<name>:
```

```
1: audio 4=G723 RTP/AVP 16 0 0 0
selection:1
ORACLE(media-profile)#
```

From this point, you can configure media policing parameters. To view all **media-profile** parameters, enter a **?** at the system prompt

- 5. average-rate-limit**—Enter the maximum rate in bytes per second for any flows that this **media-profile** polices. The default value is zero (**0**), disabling media policing. The valid range is:

- Minimum—0
- Maximum—125000000

Average rate limit values for common codecs:

- PCMU—80000 Bps
- G729—26000 Bps

The following example shows a **media-profile** configuration element configured for media policing.

```
media-profile
  name G723
  media-type audio
  payload-type 4
  transport RTP/AVP
  req-bandwidth 16
  frames-per-packet 0
  parameters
  average-rate-limit 15000
```

## Media Policing Configuration for RTCP Flows

You can configure media policing for RTCP flows by using the ACLI.

To configure media policing for RTCP flows:

- 1.** In Superuser mode, type **configure terminal** and press Enter.

```
ORACLE# configure terminal
```

- 2.** Type **media-manager** and press Enter to access the **media-manager** path.

```
ORACLE(configure)# media-manager
```

- 3.** Type **media-manager** and press Enter. The system prompt changes to let you know that you can begin configuring individual parameters.

```
ORACLE(media-manager)# media-manager
ORACLE(media-manager-config)#
```

- 4. rtcp-rate-limit**—Enter the RTCP policing constraint in bytes per second. The default value is zero (**0**). The valid range is:

- Minimum—0

- Maximum—125000000

## Media Policing Configuration for Static Flows

You can configure media policing for static flows using the ACLI.

To configure media policing for static flows:

1. In Superuser mode, type **configure terminal** and press Enter.

```
ORACLE# configure terminal
```

2. Type **media-manager** and press Enter to access the **media-manager** path.

```
ORACLE(configure)# media-manager
```

3. Type **static-flow** and press Enter. The system prompt changes to let you know that you can begin configuring individual parameters.

```
ORACLE(media-manager)# static-flow
ORACLE(static-flow)#
```

4. Select an existing static flow to which you will add policing constraints.

```
ORACLE(static-flow)# select
<in-dest-ip>:
1: dest 0.0.0.0; src 192.168.2.1/24; static-flow-in-realm; UDP
selection:1
```

From this point, you can configure media policing parameters for static flows. To view all **static-flow** parameters, enter a **?** at the system prompt

5. **average-rate-limit**—Enter the maximum rate in bytes per second for any flows that this **static-flow** polices. The default value is zero (**0**). The valid range is:
  - Minimum—0
  - Maximum—125000000

The following example shows a **static-flow** configuration element configured for media policing.

```
static-flow
  in-realm-id          static-flow-in-realm
  in-source            192.168.2.1/24
  in-destination       0.0.0.0
  out-realm-id         static-flow-out-realm
  out-source           192.168.128.1/24
  out-destination      0.0.0.0
protocol               UDP
  average-rate-limit   15000
```

## RTP Payload Type Mapping

The Oracle® Enterprise Session Border Controller maintains a default list of RTP payload types mapped to textual encoding names as defined in RFC 3551.

The following table defines the preconfigured payload type for standard encodings.

Payload Type	Encoding Name	Audio (A) / Video (V)	Clock Rate
0	PCMU	A	8000
4	G723	A	8000
8	PCMA	A	8000
9	G722	A	8000
15	G728	A	8000
18	G729	A	8000

If you configure any payload type to encoding name mappings, the default mappings will be ignored. You must then manually enter all payload type mappings you use in the **media-profile** configuration element.

## ITU-T to IANA Codec Mapping

The Oracle® Enterprise Session Border Controller maintains a list of ITU-T (H.245) codecs that map to IANA RTP codecs. An ITU codec is directly mapped to an IANA Encoding Name for media profile lookups. All codecs are normalized to IANA codec names before any matches are made. New ITU-T codecs can not be added to the media profiles list.

The following table defines the ITU-T to IANA codec mappings.

ITU-T	IANA
g711Ulaw64k	PCMU
g711Alaw64k	PCMA
g726	G726
G7231	G723
g728	G728
g729wAnnexB	G729
g729	G729 fmp:18 annexb=no
H261VideoCapability	H261
H263VideoCapability	H263
t38Fax	T38

## SDP Anonymization

In order to provide an added measure of security, the Oracle® Enterprise Session Border Controller's topology-hiding capabilities include SDP anonymization. Enabling this feature gives the Oracle® Enterprise Session Border Controller the ability to change or modify certain values in the SDP so that malicious parties will be unable to learn information about your network topology.

To do this, the Oracle® Enterprise Session Border Controller hides the product-specific information that can appear in SDP `o=` lines and `s=` lines. This information can include usernames, session names, and version fields. To resolve this issues, the Oracle® Enterprise Session Border Controller makes the following changes when you enable SDP anonymization:

- Sets the session name (or the `s=` line in the SDP) to `s=-`
- Sets the username in the origin field to `-SBC`
- Sets the session ID in the origin field to an integer of incrementing value

Note that for mid-call media changes, the session identifier is not incremented.

To enable this feature, you set a parameter in the media manager configuration.

## SDP Anonymization Configuration

To enable SDP anonymization:

1. In Superuser mode, type **configure terminal** and press Enter.

```
ORACLE# configure terminal
```

2. Type **media-manager** and press Enter.

```
ORACLE(configure)# media-manager
```

3. Type **media-manager** again to access the media manager configuration, and press Enter.

```
ORACLE(media-manager)# media-manager  
ORACLE(media-manager-config)#
```

4. **anonymous-sdp**—Set this parameter to enabled to use the SDP anonymization feature. When you leave this parameter empty the feature is turned off. The default value is **disabled**. The valid values are:
  - enabled | disabled
5. Save and activate your configuration.

## Unique SDP Session ID

Codec negotiation can be enabled by updating the SDP session ID and version number. The media-manager option, **unique-sdp-id** enables this feature.

With this option enabled, the Oracle® Enterprise Session Border Controller will hash the session ID and IP address of the incoming SDP with the current date/time of the Oracle® Enterprise Session Border Controller in order to generate a unique session ID.

## Unique SDP Session ID Configuration

To enable unique SDP session ID in media-manager:



1. In Superuser mode, type **configure terminal** and press Enter.

```
ORACLE# configure terminal  
ORACLE(configure)#
```

2. Type **media-manager** and press Enter.

```
ORACLE(configure)# media-manager  
ORACLE(media-manager)#
```

3. **options**—Set the options parameter by typing **options**, a Space, the option name **unique-sdp-id** with a plus sign in front of it, and then press Enter.

```
ORACLE(media-manager)# options +unique-sdp-id
```

If you type the option without the plus sign, you will overwrite any previously configured options. In order to append the new options to the realm configuration's options list, you must prepend the new option with a plus sign as shown in the previous example.

4. Save and activate your configuration.

## TCP Synchronize Attack Prevention

This section explains how the Oracle® Enterprise Session Border Controller protects itself from a Transmission Control Protocol (TCP) synchronize (SYN) packet flooding attack sourced from a remote hostile entity.

SIP and H.323 signaling can be configured on the Oracle® Enterprise Session Border Controller to be TCP protocol-based. In this configuration, the Oracle® Enterprise Session Border Controller can be a target of a TCP SYN attack. The Oracle® Enterprise Session Border Controller C is able to service new call requests throughout the duration of an attack

### About SYN

SYN is used by TCP when initiating a new connection to synchronize the sequence numbers on two connecting computers. The SYN is acknowledged by a SYN-ACK by the responding computer. After the SYN-ACK, the client finishes establishing the connection by responding with an ACK message. The connection between the client and the server is then open, and the service-specific data can be exchanged between the client and the server.

A SYN flood is a series of SYN packets from forged IP addresses. The IP addresses are chosen randomly and do not provide any hint of the attacker's location. The SYN flood keeps the server's SYN queue full. Normally this would force the server to drop connections. A server that uses SYN cookies, however, will continue operating normally. The biggest effect of the SYN flood is to disable large windows.

### Server Vulnerability

Vulnerability to attack occurs when the server has sent a SYN-ACK back to client, but has not yet received the ACK message; which is considered a half-open connection. The server has a data structure describing all pending connections built in its system

memory. This data structure is of finite size, and it can be made to overflow by intentionally creating too many partially-open connections.

The attacking system sends SYN messages to the server that appear to be legitimate, but in fact reference a client that is unable to respond to the SYN-ACK messages. The final ACK message is never sent to the server.

The half-open connections data structure on the server fills and no new incoming connections are accepted until the table is emptied out. Typically there is a timeout associated with a pending connection (the half-open connections will eventually expire and the server will recover). But the attacking system can continue sending IP-spoofed packets requesting new connections faster than the server can expire the pending connections. The server has difficulty in accepting any new incoming network connections.

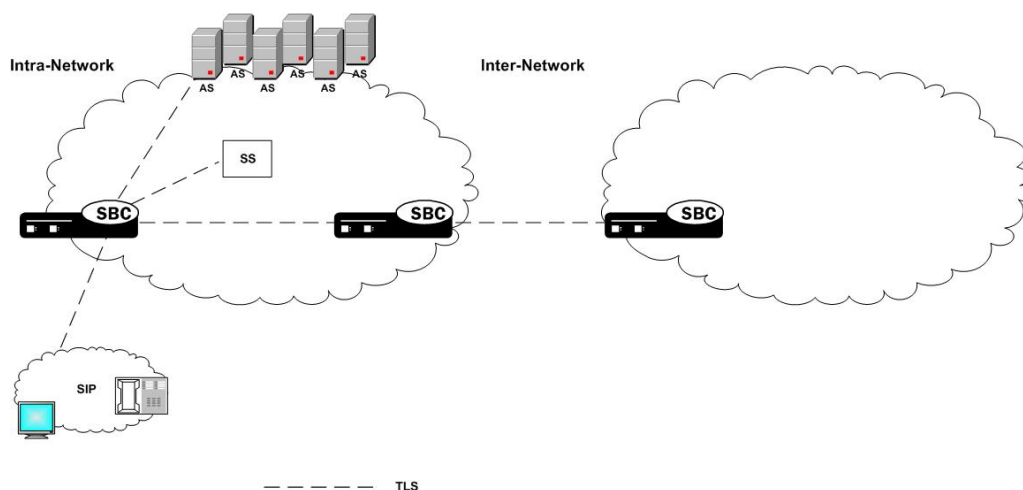
## Configuring TCP SYN Attack Prevention

No configuration is necessary to enable TCP SYN attack prevention. Internal TCP protocol changes were made to provide protection.

## Transport Layer Security

The Oracle® Enterprise Session Border Controller provides support for Transport Layer Security (TLS) for SIP, which can be used to protect user and network privacy by providing authentication and guaranteeing the integrity for communications between the Oracle® Enterprise Session Border Controller and the following:

- Another device in your network infrastructure (intra-network)
- Another Oracle® Enterprise Session Border Controller when you are using a peering application (inter-network) for interior network signaling security
- An endpoint for authentication before allowing SIP messaging to take place



## The E-SBC and TLS

Transport Layer Security (TLS) on the Oracle® Enterprise Session Border Controller (E-SBC) depends on the presence of the Security Service Module (SSM) for hardware

acceleration of encryption and decryption and random media generation. The SSM module is a plug-in that you can add to the E-SBC chassis given the installation of the necessary boot loader and minimum hardware revision levels.

With the required hardware revision levels, qualified field personnel can add the plug-in unit to the E-SBC onsite. This provision makes upgrades fast, and means that you do not need to return the E-SBC to Oracle manufacturing for a hardware upgrade. When you upgrade the E-SBC with the SSM card that supports TLS, field personnel will affix a new CLEI code label to the Oracle chassis. The code will also appear on the SSM card (also referred to as the plug-in unit) and is visible when the system's chassis cover is opened. On a new E-SBC provisioned with the SSM card, the code labels are already affixed in all required locations.

With the SSM card installed on the E-SBC, TLS support is enabled and the SSM accelerator performs:

- RSA
- Diffie-Hellman
- DES
- 3DES
- AES256
- Random number generation

## Supported Encryption

The Oracle® Enterprise Session Border Controller supports the following encryption:

- TLSv1.0, TLSv1.1, TLSv1.2



### Note:

Oracle does not support RC4 ciphers.

## Suite B and Cipher List Support

The Oracle® Enterprise Session Border Controller (E-SBC) supports full control of selecting the ciphers that you want to use for Transport Layer Security (TLS). The system defaults to DEFAULT for the Cipher List parameter in the TLS Profile configuration. Oracle recommends that you delete ALL and add only the particular ciphers that you want, choosing the most secure ciphers for your deployment.

To support Suite B, the E-SBC certificate-record configuration includes the following parameters:

- `key-algor`—Public key algorithm. Supports RSA and ECDSA. Default: RSA Security. You must select ECDSA to support suite B.
- `ecdsa-key-size`—ECDSA key size. Supports p256 and p384.

Configure the list of ciphers that you want to use from the **cipher-list** element in the **tls-profile** configuration. Press Tab to display the list of supported ciphers. One-by-one, you can add as many ciphers as your deployment requires.

## TLS Ciphers

The Oracle® Enterprise Session Border Controller (E-SBC) supports TLS v1, TLSv1.1, and TLSv1.2 ciphers.

The **tls-profile** object contains the cipher list parameter, and the `tlsCipherList` command displays the list of ciphers that you may specify. For a complete list of supported ciphers, see the *Oracle Enterprise Session Border Controller Release Notes*.

## Minimum Advertised SSL/TLS Version

The `sslmin` option sets the minimum allowed TLS version. Use this option to mitigate the use of older, more vulnerable versions of TLS.

When the **tls-version** parameter is set to **compatibility** within a **tls-profile** configuration element, the **sslmin** option specifies the lowest TLS version allowed. By default, when **tls-version** is set to **compatibility**, the Oracle® Enterprise Session Border Controller advertises only TLS1.1 and TLS1.2. To advertise TLS1.0 as well, set `sslmin` to **tls1.0**.

In **security-config**, the `sslmin` option values can be: `tls1.0`, `tls1.1` or `tls1.2`.

## Minimum Advertised SSL/TLS Version Configuration

Configure the option `sslmin` to at least `tls1.0` for security purposes.

1. Access the **security-config** configuration element.

```
ORACLE# configure terminal
ORACLE(configure)# security
ORACLE(security)# security-config
ORACLE(security-config)#
```

2. Select the **security-config** object to edit.

```
ORACLE(security-config)#
ORACLE(security-config)#
```

3. **options**—Set the options parameter by typing **options**, a space, a plus sign, the option name **sslmin=** and then one of the valid values. Valid values are:

- `tls1.0`
- `tls1.1`
- `tls1.2`

```
ORACLE(security-config)#options +sslmin=tls1.2
```

4. Type **done** to save your configuration.

## Signaling Support

The Oracle® Enterprise Session Border Controller's TLS functionality supports SIP and SIPS. In addition, the Oracle® Enterprise Session Border Controller can accommodate a mixture of TLS and non-TLS sessions within a realm as because a request for TLS is controlled by the endpoint (TLS UA).

## Endpoint Authentication

The Oracle® Enterprise Session Border Controller does not operate as a CA. Instead, the Oracle® Enterprise Session Border Controller's TLS implementation assumes that you are using one of the standard CAs for generating certificates:

- Verisign
- Entrust
- Thawte
- free Linux-based CA (for example, openssl)



### Note:

Self-signed certificates are available only as an option for MSRP connections

The Oracle® Enterprise Session Border Controller can generate a certificate request in PKCS10 format and to export it. It can also import CA certificates and a Oracle® Enterprise Session Border Controller certificate in the PKCS7/X509 PEM format.

The Oracle® Enterprise Session Border Controller generates the key pair for the certificate request internally. The private key is stored as a part of the configuration in 3DES encrypted form (with an internal generated password) and the public key is returned to the user along with other information as a part of PKCS10 certificate request.

The Oracle® Enterprise Session Border Controller supports the option of importing CA certificates and marking them as trusted. However, the Oracle® Enterprise Session Border Controller only authenticates client certificates that are issued by the CAs belonging to its trusted list. If you install only a specific vendor's CA certificate on the Oracle® Enterprise Session Border Controller, it authenticates that vendor's endpoints. Whether the certificate is an individual device certificate or a site-to-site certificate does not matter because the Oracle® Enterprise Session Border Controller authenticates the signature/public key of the certificate.

## Keeping Pinholes Open at the Endpoint

The Oracle® Enterprise Session Border Controller provides configurable TCP NAT interval on a per-realm basis. You need to configure a NAT interval for the applicable realm to support either all conforming or all non-conforming endpoints.

- Conforming endpoints use the draft-jennings sipping-outbound-01. It describes how to keep the endpoint keeps the connection alive.

 **Note:**

Currently the endpoint uses REGISTER.

- Non-conforming endpoints have short NAT interval, where the HNT application with the TCP connection for TLS operates as it does for regular TCP. We give the UA a shorter expires time so that it refreshes frequently, implicitly forcing the UA to keep the TVP socket open and reuse it for further requests (in-dialog or out-of-dialog). Regular requests using TLS sent from the Oracle® Enterprise Session Border Controller to the UA reuse the same TCP connection so that further TLS certificate exchanges are not required.

## Key Usage Control

You can configure the role of a certificate by setting key usage extensions and extended key usage extensions. Both of these are configured in the certificate record configuration.

## Key Usage List

This section defines the values you can use (as a list) in the **key-usage-list** parameter. You can configure the parameter with more than one of the possible values.

Value	Description
digitalSignature (default with keyEncipherment)	Used when the subject public key is used with a digital signature mechanism to support security services other than non-repudiation, certificate signing, or revocation information signing. Digital signature mechanisms are often used for entity authentication and data origin authentication with integrity.
nonRepudiation	Used when the subject public key is used to verify digital signatures that provide a non-repudiation service protecting against the signing entity falsely denying some action, excluding certificate or CRL signing.
keyEncipherment (default with digitalSignature)	Used with the subject public key is used for key transport. (For example, when an RSA key is to be used for key management.)
dataEncipherment	Used with the subject public key is used for enciphering user data other than cryptographic keys.
keyAgreement	Used with the subject public key is used key agreement. (For example, when a Diffie-Hellman key is to be used for a management key.)
encipherOnly	The keyAgreement type must also be set. Used with the subject public key is used only for enciphering data while performing key agreement.
decipherOnly	The keyAgreement type must also be set. Used with the subject public key is used only for deciphering data while performing key agreement.

## Extended Key Usage List

This section defines the values you may use in the **extended-key-usage-list** parameter.

Value	Description
serverAuth (default)	Used while the certificate is used for TLS server authentication. In Oracle® Enterprise Session Border Controller access-side deployments, the system typically acts as a TLS server accepting TLS connections. You might use this setting while generating the end-entity-cert.
clientAuth	Used while the certificate is used for TLS client authentication. In Oracle® Enterprise Session Border Controller core-side deployments, the system typically acts as a TLS client initiating TLS connections. You might use this setting while generating the end-entity-cert.

## 4096-bit RSA Key Support

The Oracle® Enterprise Session Border Controller (E-SBC) supports 4096-bit RSA keys for SIP Transport Layer Security (TLS) on all platforms. The 4096-bit support enables you to import root certificates for SIP communications secured with TLS into the E-SBC.

Use the **key-size** parameter in the certificate-record configuration to set the key size.

## Reusing a TLS Connection

The Oracle® Enterprise Session Border Controller supports TLS connection reuse if and when an alias is included in the Via header by the originator of the TLS connection. When this is the case, the Oracle® Enterprise Session Border Controller reuses the same connection for any outgoing request from the Oracle® Enterprise Session Border Controller .

## TLS Configuration Process

Configuring Transport Layer Security (TLS) on the Oracle® Enterprise Session Border Controller (E-SBC) includes the following steps.

1. Configure certificates. See "Configure Certificates."
2. Configure and apply the TLS profile. See "Configure a TLS Profile."

## Certificate Configuration Process

The process for configuring certificates on the Oracle® Enterprise Session Border Controller (E-SBC) includes the following steps:

1. Configure a certificate record on the E-SBC. See "Configure Certificates."
2. Generate a certificate request by the E-SBC. See "Generate a Certificate Request."

3. Import the certificate record into the E-SBC. See "Import a Certificate Using the ACLI" and "Import a Certificate Using SFTP."
4. Reboot the system.

## Configure the Certificate Record

The certificate record configuration represents either the end-entity certificate or the CA certificate on the Oracle® Enterprise Session Border Controller (E-SBC). When you use the certificate record for an end-entity certificate, associate a private key with the certificate record configuration by using the ACLI **generate-certificate-request** command. You can import a requested certificate provided by a CA into a certificate record configuration using the ACLI **import-certificate** command.

Do not associate a private key with the certificate record configuration, if it was issued to hold a CA certificate.

### Note:

You do not need to create a certificate record when importing a CA certificate or certificate in PKCS #12 format.

1. Access the **certificate-record** configuration element.

```
ORACLE# configure terminal
ORACLE(configure)# security
ORACLE(security)# certificate record
ORACLE(certificate-record)#
```

2. For the Certificate Record configuration, do the following:

- Name—(Required) Enter the name of this certificate record.
- Country—Enter the country name abbreviation. For example, CA for Canada. Range: 2 characters.
- State—Enter the region abbreviation. For example, QC for Quebec. Range: 2 characters.
- Locality—Enter the name of the locality in the region. For example, Quebec City. Range:1-128 characters.
- Organization—Enter the name of the organization. For example, Office of Information Technology. 1-64 characters.
- Unit—Enter the name of the unit in the organization. For example, Global Network Security. 1-64 characters.
- Common name—Enter the common name for the certificate record. For example, your name. Range: 1-64 characters.
- Key algor—Set a key algorithm. Valid algorithms: rsa | ecdsa.
- Digest algor—Set a digest algorithm. Valid values: sha1 | sha256 | sha384.
- Key size—For the RSA key algorithm, set the RSA key size. Valid key size: 512 | 1024 | 2048 | 4096.



- ECDSA key size—For the ECDSA key algorithm, set the ECDSA key size. Valid key size: p256 | p384.
  - Alternate name—(Optional) Enter one or more alternative names for the certificate holder.
  - Trusted—Do one of the following:
    - Select to make the certificate trusted. (Default)
    - Deselect to make the certificate un-trusted.
  - Key usage list—Set key the usage extensions you want to use with this certificate record. Multiple values allowed. Default: The combination of **digitalSignature** and **keyEncipherment**. For a list of possible values and their descriptions, see “Key Usage List.”
  - Extended key usage list—Set the extended key usage extensions you want to use with this certificate record. Default: **serverAuth**. For a list of possible values and their descriptions, see “Extended Key Usage List.”
  - Options—Set any optional features or parameters that you want.
3. Type **done** to save your configuration.
- Create TLS profiles, using your certificate records, to further define the encryption behavior and create the configuration element that you can apply to a SIP interface.

## Generating a Certificate Request

Using the ACLI **generate-certificate-request** command allows you to generate a private key and a certificate request in PKCS10 PEM format. You take this step once you have configured a certificate record.

The Oracle® Enterprise Session Border Controller stores the private key that is generated in the certificate record configuration in 3DES encrypted form with in internally generated password. The PKCS10 request is displayed on the screen in PEM (Base64) form.

You use this command for certificate record configurations that hold end-entity certificates. If you have configured the certificate record to hold a CA certificate, then you do not need to generate a certificate request because the CA publishes its certificate in the public domain. You import a CA certificate by using the ACLI **import-certificate** command.

This command sends information to the CA to generate the certificate, but you cannot have Internet connectivity from the Oracle® Enterprise Session Border Controller to the Internet. You can access the internet through a browser such as Internet Explorer if it is available, or you can save the certificate request to a disk and then submit it to the CA.

To run the applicable command, you must use the value you entered in the name parameter of the certificate record configuration. You run the command from main Superuser mode command line:

```
ORACLE# generate-certificate-request acmepacket
Generating Certificate Signing Request. This can take several minutes...
-----BEGIN CERTIFICATE REQUEST-----
MIIDHzCCAoigAwIBAgIIAhMCUACEAHEwDQYJKoZIhvcNAQEFBQAwcDELMAkGA1UE
BhMCMVVMxEzARBgNVBAGTCkNhbgG1mb3JuaWEwETAPBgNVBACTCFhbiBKB3N1MQ4w
```

```

DAYDVQKQEWVzaXBpdDEpMCcGA1UECxMgU21waXQgVGZdCBDZXJ0aWZpY2F0ZSBB
dXRob3JpdHkwHhcNMDUwNDEzMjEzNzQzWhcNMDgwNDEyMjEzNzQzWjBUMQswCQYD
VQQGEwJVUzELMAkGA1UECBMCTUEXZARBgNVBACTCkJKcmxpbnmd0b24xFDASBgNV
BAoTC0Vuz21uzWVyaW5nMQ0wCwYDVQQDEwRhY211MIGfMA0GCSqGSIb3DQEBAQUA
A4GNADCBiQKBgQCXjIeOyFKAUB3rKkKK/+59LT+r1GuW7Lgc1V6+hftSr0co+ZsQ
bHFUWAA15qXUUBTLJG13QN5VfG96f7gGAbWayfOS9Uymold3JPCUDoGgb2E7m8iu
vtq7gwjSeKNXAw/y7yWy/c04FmUD2U0pZX0CNIR3Mns5OAxQmq0bNYDhawIDAQAB
o4HdMIHaMBEGA1UdeEQKMAiCBnBrdW1hcjAJBgNVHRMEAjaAMB0GA1UdDgQWBGTG
tpodxa6Kmmn04L3Kg62t8BZJHTCBmgYDVR0jBIGSMIGPgBRrRhcU6pR2JYBUbhNU
2qHjVBShtqF0pHIwcDELMAkGA1UEBhMCVVMxZARBgNVBAGTCkNhbg1mb3JuaWEx
ETAPBgNVBACTCFNhbikBk3NlMQ4wDAYDVQKQEWVzaXBpdDEpMCcGA1UECxMgU21w
aXQgVGZdCBDZXJ0aWZpY2F0ZSBBdXRob3JpdHmCAQAwDQYJKoZIhvcNAQEFBQAD
gYEAbEs8nUCi+cA2hc/1M49Sitvh8QmpL81KONApsoC4Em24L+DzWz3uInoWjbjJ
QhefcUfteNYkbuMH7LAK0hndPvW+St4rQGVK6LJhZj7/yeLXmYWIPIUY3Ux40GVrd
2UgV/B2SOqH9Nf+FQ+mNZOL7EuF4IxSz9/69LuYlXqKsG4=
-----END CERTIFICATE REQUEST-----;
WARNING: Configuration changed, run save-config command.
ORACLE# save-config
Save-config received, processing.
waiting 1200 for request to finish
Request to 'SAVE-CONFIG' has Finished,
Save complete
Currently active and saved configurations do not match!
To sync & activate, run 'activate-config' or 'reboot-activate'
ORACLE# activate-config
Activate-Config received, processing.
waiting 12000 for request to finish
Add LI flows
LiSysClientMgr::handleNotifyReq
H323 Active Stack Cnt: 0
Request to 'ACTIVATE-CONFIG' has finished
Activate Complete
ORACLE#

```

## Import a Certificate Using the ACLI

After the Certificate Authority (CA) generates the certificate, you can import it into the Oracle® Enterprise Session Border Controller (E-SBC) with the **import-certificate** command.

Use the following syntax:

```

ORACLE # import-certificate [try-all|pkcs7|x509] [certificate-record
file-name]

```

1. When you use the **import-certificate** command, you can specify whether you want to use PKCS7 or X509v3 format, or try all. In the command line, you enter the command, the format specification, and the name of the certificate record.

```

ORACLE# import-certificate try-all acme

```

The E-SBC displays the following:

```
Please enter the certificate in the PEM format.
Terminate the certificate with ";" to exit.....
-----BEGIN CERTIFICATE-----
MIIDHzCCAoigAwIBAgIIAhMCUACEAHEwDQYJKoZIhvcNAQEFBQAwdELMAkGA1UE
BhMCMVVMxEzARBgNVBAGTCkNhbkG1mb3JuaWEwETAPBgNVBACTCFNhbiBkb3NlMQ4w
DAYDVQQKEwVzaXBpdDEpMCCcGA1UECXMgU2lwaXQgVGVzdCBDZDZlJ0aWZpY2F0ZSBB
dXRob3JpdHkwHhcNMDUwNDEzMjEzNzQzWhcNMDgwNDEyMjEzNzQzWjBUMQswCQYD
VQQGEwJlVUzELMAkGA1UECBMCTUEwEzARBgNVBACTCkU1cmxpbmd0b24xZDASBgNV
BAoTC0Vuz2luZWVyaW5nMQ0wCwYDQDQDEwR211MIGfMA0GCSqGSIb3DQEBAQUA
A4GNADCBiQKBgQXjIeOyFKAUB3rKkKK/+59LT+r1GuW7Lgc1V6+hfTSr0co+ZsQ
bHFUWAA15qXUUBTLJG13QN5VfG96f7gGAbWayfOS9Uymold3JPCUDoGgb2E7m8iu
vtq7gWjSeKNXAw/y7yWy/c04FmUD2U0pZX0CNIR3Mns5OaxQmq0bNYDhawIDAQAB
o4HdMIHaMBEGAlUdeQQKMAiCBnBrdW1hcjAJBgNVHRMEAjaAMB0GAlUdDgQWBGTG
tpodxa6Kmmn04L3Kg62t8BZJHTCBmgYDVR0jBIGSMIGPgBRrRhcU6pR2JYBUbhNU
2qHjVBShtqF0pHIwcDELMAkGA1UEBhMCMVVMxEzARBgNVBAGTCkNhbkG1mb3JuaWEw
ETAPBgNVBACTCFNhbiBkb3NlMQ4wDAYDVQQKEwVzaXBpdDEpMCCcGA1UECXMgU2lwa
aXQgVGVzdCBDZDZlJ0aWZpY2F0ZSBBdXRob3JpdHhMCAQAwDQYJKoZIhvcNAQEFBQAD
gYEAbEs8nUCi+cA2hC/lM49Sitvh8QmpL81KONApsoC4Em24L+DzWz3uInoWjbjJ
QhfcUfteNYkbuMH7LAK0hndPvW+St4rQGvK6LJhZj7/yeLXmYWIPUY3Ux40GVrd
2UgV/B2S0qH9Nf+FQ+mNZ0lL7EuF4IxSz9/69LuYlXqKsG4=
-----END CERTIFICATE-----;
Certificate imported successfully...
WARNING: Configuration changed, run "save-config" command.
```

## 2. Save the configuration.

```
ORACLE# save-config
Save-Config received, processing.
waiting 1200 for request to finish
Request to 'SAVE-CONFIG' has Finished,
Save complete
Currently active and saved configurations do not match!
To sync & activate, run 'activate-config' or 'reboot activate'.
```

## 3. Synchronize and activate the configurations.

```
ORACLE# activate-config
Activate-Config received, processing.
waiting 120000 for request to finish
Add LI Flows
LiSysClientMgr::handleNotifyReq
H323 Active Stack Cnt: 0
Request to 'ACTIVATE-CONFIG' has Finished,
Activate Complete
ORACLE#
```

## 4. Reboot the system.

### Import a Certificate Using SFTP

1. Copy the certificate to the /opt directory of the Oracle® Enterprise Session Border Controller using SFTP.

2. Import the certificate with the **import-certificate** command.

Use the following syntax:

```
import-certificate [try-all|pkcs7|x509] [certificate name]
[filename]
```

Use the value of the **name** parameter from the previously configured **certificate-record** configuration element for the certificate name argument.

```
ORACLE# import-certificate x509 acme certificate.pem
Certificate imported successfully...
WARNING: Configuration changed, run "save-config" command.
ORACLE#
```

3. Save the configuration.

```
ORACLE# save-config
```

4. Activate the configurations.

```
ORACLE# activate-config
```

5. Reboot the system.

## PKCS #12 Container Import and Export Capability

The Oracle® Enterprise Session Border Controller (E-SBC) supports Public Key Cryptography Standard (PKCS) #12 for bundling a private key with the associated X.509 public key certificate in a file for archiving, importing, and exporting. The E-SBC does not support bundling all members of the chain of trust.

### Note:

The SBC only supports PKCS12 files that are bundled with either RSA or ECDSA private keys and their X.509 certificates.

E-SBC customers often need to use keys and certificates stored in the E-SBC for Transport Layer Security (TLS) packet analysis and network troubleshooting, or to share with another E-SBC or other device. The keys and certificates are packaged together and exchanged in the PKCS #12 archive file format.

### Note:

The E-SBC supports this functionality only by way of the ACLI.

## Export to a PKCS #12 File

You can export a local entity certificate from the Session Border Controller (SBC) to a PKCS #12 file by way of the ACLI. For the enterprise SBC, you cannot do so from the Web GUI.



### Note:

When prompted for password and passphrase, use the ones that you entered in system-config.

- Run the export-certificate command.

```
export-certificate <pkcs#12> <certificate-record-name> [pkcs-12-  
file-name]
```

where

- `certificate-record-name`—the name of the local entity certificate record that you want to export.
- `pkcs12-file-name`—the name of the target PKCS #12 file. The system creates the export file in the /opt directory. Use either .pfx or .p12 for the file extensions.

```
ORACLE# export-pkcs12 masterca certificate.pfx  
Creating pkcs12 for certificate-record: (masterca)  
PKCS12 Certificate(s) exported successfully....  
ORACLE#
```

This command is supported only when using the RSA key exchange, not when using the Diffie-Hellman key exchange.

## Import a PKCS #12 File

You can import a PKCS #12 key and certificate file that was generated elsewhere into the Oracle® Enterprise Session Border Controller (E-SBC) by way of the ACLI.

Make sure that your PKCS#12 file was generated either with the `-descert` flag or the `-keypbe` and `-certpbe` options. If `rsa.key` is a private key and `cert.crt` is an X.509 certificate, either of the following commands generates a PKCS#12 file.

```
# generate using -descert  
openssl pkcs12 -export -in cert.crt -inkey rsa.key -out my_pkcs12.pfx  
-name "Test Cert" -descert  
# generate using -keypbe and -certpbe options  
openssl pkcs12 -export -in cert.crt -inkey rsa.key -out my_pkcs12.pfx  
-name "Test Cert" -keypbe PBE-SHA1-3DES -certpbe PBE-SHA1-3DES
```

1. Copy the PKCS#12 file to the /opt directory using SFTP.

## 2. Run the import-certificate command.

```
import-certificate <pkcs#12> <certificate-record-name> [pkcs-12-  
file-name]
```

where

- `certificate-record-name`—must be a new name that does not exist as PKCS #12. This is different from other certificate imports, where the certificate record must already exist in the target destination.
- `pkcs12-file-name`—the name of the PKCS #12 file that you want to import.

```
ORACLE# import-certificate pkcs12 newKey2 my2_pkcs12.pfx  
The specified certificate-record: (newKey2) does not exist.  
Creating one...  
Enter Import Password:  
Importing ee: newKey2  
Certificate(s) imported successfully...
```

```
-----  
WARNING:  
Configuration changed, run 'save-config' and  
'activate-config' commands to commit the changes.  
-----
```

```
ORACLE#
```



### Note:

512-bit keys are not supported.

## Viewing Certificates

You can view either a brief version or detailed information about the certificates.

### Brief Version

Obtaining the brief version uses this syntax, and will appear like the following example:

```
ORACLE# show security certificates brief acmepacket  
certificate-record:acmepacket  
Certificate:  
  Data:  
    Version: 3 (0x2)  
    Serial Number:  
      02:13:02:50:00:84:00:71  
    Issuer:  
      C=US  
      ST=California  
      L=San Jose  
      O=sipit  
      OU=Sipit Test Certificate Authority  
    Subject:
```

```
C=US
ST=MA
L=Burlington
O=Engineering
CN=acme
ORACLE#
```

## Detailed Version

Obtaining the detailed version uses this syntax, and will appear like the following example:

```
ORACLE# show security certificates detail acmepacket
certificate-record:acmepacket
Certificate:
  Data:
    Version: 3 (0x2)
    Serial Number:
      02:13:02:50:00:84:00:71
    Signature Algorithm: sha1WithRSAEncryption
    Issuer:
      C=US
      ST=California
      L=San Jose
      O=sipit
      OU=Sipit Test Certificate Authority
    Validity
      Not Before: Apr 13 21:37:43 2005 GMT
      Not After : Apr 12 21:37:43 2008 GMT
    Subject:
      C=US
      ST=MA
      L=Burlington
      O=Engineering
      CN=acme
    X509v3 extensions:
      X509v3 Subject Alternative Name:
        DNS:pkumar
      X509v3 Basic Constraints:
        CA:FALSE
ORACLE#
```

## Configure a TLS Profile

The TLS profile configuration contains the information required to run SIP over TLS.

- Obtain the necessary certificates.
- Confirm that the system displays the Superuser mode.

When the Oracle® Enterprise Session Border Controller (E-SBC) negotiates with TLS, it starts with the highest TLS version and works its way down until it finds a compatible version and cipher that works for the other side.

1. Access the **tls-profile** configuration element.

```
ORACLE# configure terminal
ORACLE(configure)# security
ORACLE(security)# tls-profile
ORACLE(tls-profile)#
```

2. **name**—Enter the name of the TLS profile. Required.
3. **end-entity-certificate**—Enter the name of the entity certification record.
4. **trusted-ca-certificates**—Enter the names of the trusted CA certificate records.
5. **cipher-list**—Use either the default **DEFAULT**, or enter a list of ciphers that you want to support. For a complete list of supported ciphers, see the *Oracle® Enterprise Session Border Controller Release Notes*.
6. **verify-depth**—Specify the maximum depth of the certificate chain to verify. Default: 10. Valid range: 0-10.
7. **mutual-authenticate**—Define whether or not you want the E-SBC to mutually authenticate the client. Valid values: enabled | disabled. Default: disabled.
8. **tls-version**—Enter the TLS version that you want to use with this TLS profile. Valid values are:
  - compatibility (default) — When the Oracle Communications Session Border Controller negotiates on TLS, it starts with the highest TLS version and works its way down until it finds a compatible version and cipher that works for the other side.
  - tlsv1
  - tlsv11
  - tlsv12

 **Note:**

The **sslmin** option in **security-config** specifies the lowest TLS version allowed when **tls-version** is set to **compatibility**. By default, compatibility mode excludes TLS 1.0 unless **sslmin** is set to **tlsv10**.

9. Type **done** to save your configuration.

## Applying a TLS Profile

To apply the TLS profile, you need to specify it for the SIP interface with which it will be used. You must take this step from within the SIP interface configuration.

1. Type **session-router** and press Enter to access the **session-router** path.

```
ORACLE(configure)# session-router
```



2. Type **sip-interface** and press Enter. The system prompt changes to let you know that you can begin configuring individual parameters.

```
ORACLE(session-router)# sip-interface
ORACLE(sip-interface)#
```

3. Select the existing SIP interface to which you want to apply the TLS profile. If you do not know the name of the profile, press Enter again after you use the select command to see a list of all SIP interfaces. Type in the number corresponding to the SIP interface you want to select, and press Enter. You will then be modifying that SIP interface.

```
ORACLE(sip-interface)# select
```

4. Type **sip-ports** and Enter. The system prompt changes to let you know that you can begin configuring individual parameters.

```
ORACLE(session-interface)# sip-ports
ORACLE(sip-port)#
```

5. **transport-protocol**—Change the transport protocol to **TLS**.

```
ORACLE(sip-interface)# transport-protocol tls
```

6. **tls-profile**—Enter the name of the TLS profile you want applied. This is the same value you enter for the name parameter in the TLS profile configuration. This profile will be applied when the transport protocol is TLS.

```
ORACLE(sip-interface)# tls-profile acmepacket
```

7. Save your updated SIP interface configuration.

## Host Certificate Retrieval via SNMP

When a security certificate is installed locally on the Oracle® Enterprise Session Border Controller, you can poll the expiration of the certificate using the **apSecurityCertificateTable**.

You can configure the Oracle® Enterprise Session Border Controller to generate the **apSecurityCertExpiredNotification** trap once a certificate has expired. The number of minutes between notifications sent is configured in the security-config parameter **local-cert-trap-int**.

To send a warning of expiration, you can set the security-config parameter **local-cert-exp-warn-period** to the number of days before the locally installed certificate expires in which you would like a warning.

## Host Certificate Retrieval Configuration

To configure the Oracle® Enterprise Session Border Controller to generate traps when a certificate has or is about to expire:

1. Navigate to the security-config configuration element.

```
ORACLE# configure terminal
ORACLE(configure)# security#
ORACLE(security)# security-config
ORACLE(security-config)#
```

2. Set the **local-cert-exp-warn-period** parameter to the number of days before the locally installed certificate expires in order to receive a warning. A value of 0 disables the trap.

```
ORACLE(security-config)# local-cert-exp-warn-period 3
ORACLE(security-config)#
```

3. Set the **local-cert-trap-int** parameter for the number of minutes between notifications sent once a certificate has expired. A value of 0 disables the warning trap.

```
ORACLE(security-config)# local-cert-exp-trap-int 15
ORACLE(security-config)#
```

4. Use **done**, **exit**, and **verify-config** to complete required configuration.

## Denial of Service for TLS

This section explains the DoS for TLS feature. With this feature, the Oracle® Enterprise Session Border Controller can provide protection from TCP/TLS message flood by limiting the number of connections from an end point and by limiting the number of simultaneous TCP/TLS connections to a SIP interface.

The Oracle® Enterprise Session Border Controller protects against a flood of invalid TLS messages and against end points establishing TCP/TLS connections or doing an initial registration without then sending any messages. The Oracle® Enterprise Session Border Controller protects against:

- Too many simultaneous TLS connections being requested by a single IP address by limiting the number of TLS connections from a single IP address. There is a maximum simultaneous number of TCP/TLS connections a SIP interface will allow from a single IP address.
- Too many simultaneous TLS connections being requested by limiting the maximum number of connections for a SIP interface. There is a maximum number of simultaneous TCP/TLS connections a SIP interface will allow in aggregate from all IP addresses served by that signaling interface.
- End points establishing TCP/TLS connections without then sending any messages (application layer messages post TLS handshake complete). Triggered by inactivity as measured by lack of any message from this peer.
- End points doing an initial registration without then sending any messages. This timer could be used by the administrator to detect errors with the SIP configuration. It is expected that whenever an end point establishes a TCP/TLS connection, the end point will keep the connection active by sending messages with REGISTER or by using the NAT interval configuration. Whenever a connection is torn down because of inactivity, a log at the level ERROR is generated.)

- Malformed packets by counting and limiting the maximum number of malformed packets. Whenever an invalid TLS message is received, the internal counter corresponding to `invalid-signal-threshold` is incremented. When the invalid signal threshold reaches the configured value, the end point will be denied for the configured deny period. (Also requires configuration of the tolerance window in media manager.)
- The `max-incoming-conns` parameter is well under the maximum number of TLS connections supported by the system. You can set this parameter to its maximum value of 20000. If you need more than 20000 TLS connections available on this SIP interface, you must set `max-incoming-conns` to 0 which allows up to the system maximum number of TLS connections, taken on a first come first served basis, on this SIP interface.

## DoS for TLS Configuration

You configure the SIP interface and the realm to support DoS for TLS.

### DoS protection for TLS Connections on the SIP Interface Configuration

To configure the DoS protection for TCP/TLS connections on a SIP interface:

1. In Superuser mode, type **configure terminal** and press Enter.

```
ORACLE# configure terminal
```

2. Type **session-router** and press Enter to access the system-level configuration elements.

```
ORACLE(configure)# session-router
```

3. Type **sip-interface** and press Enter. The system prompt changes to let you know that you can begin configuring individual parameters.

```
ORACLE(session-router)# sip-interface  
ORACLE(sip-interface)#
```

From this point, you can configure SIP interface parameters. To view all sip-interface parameters, enter a `?` at the system prompt.

4. **max-incoming-conns**—Enter the maximum number of simultaneous TCP/TLS connections for this SIP interface. The default value is zero (0) which disables any limit to the number of simultaneous TCP/TLS connections on this SIP interface. The valid range is:
  - Minimum—0
  - Maximum—20000
5. **per-src-ip-max-incoming-conns**—Enter the maximum number of connections allowed from an end point. The default value is zero (0). The default disables the parameter. The valid range is:
  - Minimum—0
  - Maximum—20000

 **Note:**

To make this parameter effective, you need to set the realm's access-control-trust-level to low or medium.

6. **inactive-conn-timeout**—Enter the time in seconds you want a connection from an endpoint discontinued. This provides protection from end points doing an initial registration without sending any messages. The default value is zero (0). The default disables the parameter. The valid range is:
  - Minimum—0
  - Maximum—999999999
7. Save and activate your configuration.

## Configuring the SIP Configuration

To configure the SIP configuration:

1. In Superuser mode, type **configure terminal** and press Enter.

```
ORACLE# configure terminal
```

2. Type **session-router** and press Enter to access the system-level configuration elements.

```
ORACLE(configure)# session-router
```

3. Type **sip-config** and press Enter. The system prompt changes.

```
ORACLE(session-router)# sip-config
ORACLE(sip-config)#
```

From this point, you can configure SIP configuration parameters. To view all sip-config parameters, enter a ? at the system prompt.

4. **inactive-dynamic-conn**—Enter the time in seconds after which the Oracle® Enterprise Session Border Controller tears down inactive dynamic TCP connections. Inactive is defined as not transporting any traffic. This protects against endpoints establishing TCP/TLS connections and then not sending messages. The default value is 32. The valid range is:
  - Minimum—0
  - Maximum—999999999

 **Note:**

Setting this parameter to 0 disables this parameter.

Because the Oracle® Enterprise Session Border Controller first establishes a TCP connection, then the TLS connection it waits twice the value entered here after the initiation of a TLS connection before tearing down the connection.

After an endpoint establishes a TCP/TLS connection, it is supposed to keep the connection active by sending messages or by using the NAT interval configuration. Whenever a connection is torn down because of inactivity, a log at the level ERROR is generated.

## Configuring the Realm

To configure the realm:

1. In Superuser mode, type **configure terminal** and press Enter.

```
ORACLE# configure terminal
```

2. Type **media-manager** and press Enter to access the media-related configurations.

```
ORACLE(configure)# media-manager
```

3. Type **realm-config** and press Enter. The system prompt changes to let you know that you can begin configuring individual parameters.

```
ORACLE(media-manager)# realm-config  
ORACLE(realm-config)#
```

From this point, you can configure realm parameters. To view all realm configuration parameters, enter a **?** at the system prompt.

4. **deny-period**—Indicate the time period in seconds after which the entry for this host is removed from the deny list. The default value is **30**. The valid range is:
  - Minimum—0
  - Maximum—4294967295
5. **invalid-signal-threshold**— Enter the number of invalid TLS signaling messages that trigger host demotion. The value you enter here is only valid when the trust level is low or medium. Available values are:
  - Minimum—Zero (0) is disabled.
  - Maximum—999999999

If the number of invalid messages exceeds this value based on the tolerance window parameter, configured in the media manager, the host is demoted.

The tolerance window default is 30 seconds. Bear in mind, however, that the system uses the same calculation it uses for specifying "recent" statistics in show commands to determine when the number of signaling messages exceeds this threshold. This calculation specifies a consistent start time for each time period to compensate for the fact that the event time, such as a user running a show command, almost never falls on a time-period's border. This provides more consistent periods of time for measuring event counts.

The result is that this invalid signal count increments for two tolerance windows, 60 seconds by default, within which the system monitors whether or not to demote the host. The signal count for the current tolerance window is always added to the signal count of the previous tolerance window and compared against your setting.

6. **access-control-trust-level**—Set the trust level for the host within the realm. The default value is **none**. The valid values are:
  - **none**—Host is always untrusted. It is never promoted to the trusted list or demoted to the deny list.
  - **low**—Host can be promoted to the trusted list or demoted to the deny list.
  - **medium**—Host can be promoted to the trusted list but is only demoted to untrusted. It is never added to the deny list.
  - **high**—Host is always trusted.
7. Save and activate your configuration.

## Securing Communications Between the E-SBC and SDM with TLS

You can use the Transport Layer Security (TLS) protocol to secure the communications link between the Oracle® Enterprise Session Border Controller (E-SBC) and the Oracle Communications Session Delivery Manager (SDM). Note that the systems use Acme Control Protocol (ACP) for this messaging.

To configure the E-SBC to use TLS for this ACP messaging:

1. Configure a TLS profile. The `tls-profile` object is located under `security`, where you add certificates, select cipher lists, and specify the TLS version for each profile.
2. Configure system-config element's `acp-tls-profile` parameter to specify this TLS profile.

The `acp-tls-profile` parameter is empty by default, which means that ACP over TLS is disabled. When ACP over TLS is disabled, the SDM establishes a TCP connection with the E-SBC. When the `acp-tls-profile` parameter specifies a valid TLS profile, the E-SBC negotiates a TLS connection with SDM.

 **Note:**

This feature requires SDM version 8.1 and above.

## TLS Session Caching

Transport Layer Security (TLS) session caching allows the Oracle® Enterprise Session Border Controller to cache key information for TLS connections, and to set the length of time that the information is cached.

When TLS session caching is not enabled, the Oracle® Enterprise Session Border Controller and a TLS client perform the handshake portion of the authentication sequence in which they exchange a shared secret and encryption keys are generated. One result of the successful handshake is the creation of a unique session identifier. When an established TLS connection is torn down and the client wants to reinstate it, this entire process is repeated. Because the process is resource-intensive, you can enable TLS session caching to avoid repeating the handshake process for previously authenticated clients to preserve valuable Oracle® Enterprise Session Border Controller resources.

When TLS session caching is enabled on the Oracle® Enterprise Session Border Controller, a previously authenticated client can request re-connection using the

unique session identifier from the previous session. The Oracle® Enterprise Session Border Controller checks its cache, finds the session identifier, and reinstates the client. This process reduces the handshake to three messages, which preserves system resources.

If the client offers an invalid session identifier, for example, one that the Oracle® Enterprise Session Border Controller has never seen or one that has been deleted from its cache, the system does not allow the re-connection. The system negotiates the connection as a new connection.

## TLS Session Caching Configuration

TLS session caching is global for all TLS functions on your Oracle® Enterprise Session Border Controller. A new global TLS configuration (**tls-global**) has been added to the system for this purpose.

To enable global TLS session caching:

1. In Superuser mode, type **configure terminal** and press Enter.

```
ORACLE# configure terminal
```

2. Type **security** and press Enter to access the signaling-level configuration elements.

```
ORACLE(configure)# security
ORACLE(security)#
```

3. Type **tls-global** and press Enter.

```
ORACLE(security)# tls-global
ORACLE(tls-global)#
```

4. **session-caching**—Set the state for TLS session caching to **enabled** if you want to turn this feature on. The default value is **disabled**. The valid values are:

- enabled | disabled

5. **session-cache-timeout**—Enter the time in hours that you want the Oracle® Enterprise Session Border Controller to cache unique session identifiers so that previously authenticated clients can reconnect. The default value is **12**. A value of **0** disables this parameter. The valid range is:

- Minimum—0
- Maximum—24

If you set this parameter to 0, then cache entries will never age (and not be deleted from the cache unless you use the **clear-cache tls** command to delete all entries from the TLS cache). RFC 2246, *The TLS Protocol Version 1.0*, recommends that you set this parameter at the maximum, 24.

## TLS Endpoint Certificate Data Caching

To provide a higher level of security for unified messaging (UM), the Oracle® Enterprise Session Border Controller allows you configure enforcement profiles to cache data from TLS certificates. During the authentication process, the system

caches the data so it can use that data in subsequent SIP message processing. Thus the Oracle® Enterprise Session Border Controller can:

- Add custom SIP header populated with information from TLS certificates—When the Oracle® Enterprise Session Border Controller receives an INVITE from a GW, it can write proprietary headers into the SIP message. It uses the certificate information the GW provided during the TLS authentication process with the Oracle® Enterprise Session Border Controller to do so.
- Compare the host of the Request-URI with information from TLS certificates—When an INVITE is destined for the unified messaging server, the Oracle® Enterprise Session Border Controller checks the domain of the Request-URI it has generated prior to HMR application. It does so to verify that the Request-URI matches the domain information the UM server provided during the TLS authentication process with the Oracle® Enterprise Session Border Controller.

TLS endpoint certificate data caching can only apply to call-creating SIP INVITES. The Oracle® Enterprise Session Border Controller looks to the following configurations, in order, to apply an enforcement profile: session agent, realm, and SIP interface associated with the INVITE. As a final step, it checks the SIP profile for enforcement profile association.

## Inserting Customized SIP Headers in an Outgoing INVITE

When the Oracle® Enterprise Session Border Controller establishes a new TLS connection, it caches the following peer certificate attributes:

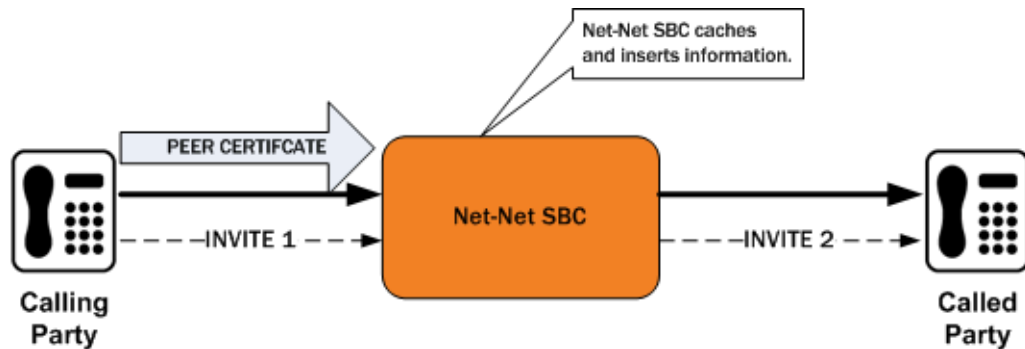
- Certificate Subject Name
- Certificate Subject Alternative Name (only DNS)

The Oracle® Enterprise Session Border Controller constructs a customized P-Certificate-Subject-Common-Name SIP header and inserts the header into the outgoing INVITE with the Certificate Subject Name. The Oracle® Enterprise Session Border Controller also constructs and inserts in the outgoing INVITE one or more P-Certificate-Subject-Alternative-Name SIP headers.

If you enable this capability and the incoming INVITE already has P-Certificate-Subject-Common-Name and P-Certificate-Subject-Alternative-Name headers, the Oracle® Enterprise Session Border Controller strips them before inserting the new customized ones. It does so to avoid the risk of any attempt to spoof the headers and thereby gain unauthorized access to the UM server.

The following diagram shows a scenario where the calling party establishes a TLS connection with the Oracle® Enterprise Session Border Controller. Because mutual authentication is enabled, the Oracle® Enterprise Session Border Controller receives the peer certificate and caches required information from it. This information is inserted in the outgoing INVITE.





The peer certificate from the calling party during the TLS handshake with the Oracle® Enterprise Session Border Controller looks like the following example.

Certificate:

```
Data:
  Version: 3 (0x2)
  Serial Number: 9 (0x9)
  Signature Algorithm: sha1WithRSAEncryption
  Issuer: C=US, ST=MA, L=Woburn, O=Smith Securities,
  OU=Certificate Authority Dept, CN=Smith Certificate Authority/
  emailAddress=Smith@CA.com
  Validity
    Not Before: Dec 10 21:14:56 2009 GMT
    Not After : Jul 11 21:14:56 2019 GMT
  Subject: C=US, ST=MA, L=Burlington, O=Acme
  Packet, OU=Certificate Authority Dept, CN=*.acme.com/
  emailAddress=ph1Client@acme.com
  Subject Public Key Info:
    Public Key Algorithm: rsaEncryption
    RSA Public Key: (2048 bit)
  X509v3 extensions:
    X509v3 Basic Constraints:
      CA:FALSE
    X509v3 Issuer Alternative Name:
      email:Smith@CA.com
    X509v3 Subject Alternative Name:
      DNS:gw1.acme.com, DNS:gw3.ano.com, DNS:gw2.some.com
    X509v3 Key Usage: critical
    Digital Signature, Key Encipherment
  Signature Algorithm: sha1WithRSAEncryption
```

The outgoing SIP INVITE (INVITE 2 in the diagram) looks like the following sample. Bold text shows where the Oracle® Enterprise Session Border Controller uses information from the certificate.

```
INVITE sip:222222@acme.com:5060 SIP/2.0
Via: SIP/2.0/UDP
172.16.27.113:5060;branch=z9hG4bK4jmg29cmm8l0cg7smmrn85o4q7
From: 111111 <sip:111111@acme.com>;tag=_ph1_tag
To: 222222 <sip:222222@acme.com>
Call-ID: _1-2_call_id-10147@acme.com-1-
CSeq: 1 INVITE
Contact: <sip:111111@172.16.27.113:5060;transport=udp>
```

```
P-Certificate-Subject-Common-Name: *.acme.com
P-Certificate-Subject-Alternative-Name: gw1.acme.com
P-Certificate-Subject-Alternative-Name: gw3.ano.com
P-Certificate-Subject-Alternative-Name: gw2.some.com
Max-Forwards: 69
Subject: TBD
Content-Type: application/sdp
Content-Length: 138
Route: <sip:222222@172.16.27.188:5060;lr>
v=0
o=user1 53655765 2353687637 IN IP4 172.16.27.113
s=-
c=IN IP4 172.16.27.113
t=0 0
m=audio 20000 RTP/AVP 0
a=rtpmap:0 PCMU/8000
```

## Validating the Request-URI Based on Certificate Information

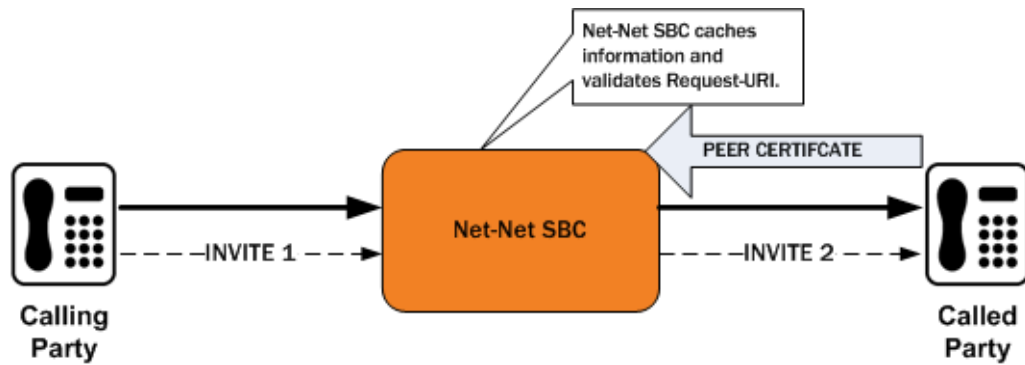
When you configure the Oracle® Enterprise Session Border Controller to cache TLS certificate information to validate Request-URIs, it stores the Certificate Subject Name and Certificate Subject Alternative Name (only DNS) it learns from peer certificate attributes. It then takes these actions:

- Extracts the host from the Request-URI of the outgoing INVITE
- Compares this host (exact or wildcard match) with the Certificate Common Name or Certificate Subject Alternative name of the certificate it has received
- Sends out an INVITE if the Certificate Common Name or Certificate Subject Alternative name match; Sends a 403 Forbidden rejection to the endpoint from it received the INVITE if there is no match

Wildcard matching applies only to the prefix of the Request-URI:

```
*.acme.com
  *.acmepacket.com
```

This diagram shows a peering scenario where the Oracle® Enterprise Session Border Controller receives an INVITE from the calling party, which it processes and prepares to send out INVITE 2. After establishing a TLS connection with the called party and caching the required information, the Oracle® Enterprise Session Border Controller validates the Request-URI. Once validation occurs, the Oracle® Enterprise Session Border Controller sends INVITE 2.



The peer certificate from the called party during the TLS handshake with the Oracle® Enterprise Session Border Controller would look like this. Relevant information in the sample appears in **bold** font.

Certificate:

```

Data:
  Version: 3 (0x2)
  Serial Number: 9 (0x9)
  Signature Algorithm: sha1WithRSAEncryption
  Issuer: C=US, ST=MA, L=Woburn, O=Smith Securities,
  OU=Certificate Authority Dept, CN=Smith Certificate Authority/
  emailAddress=amith@CA.com
  Validity
    Not Before: Dec 10 21:14:56 2009 GMT
    Not After : Jul 11 21:14:56 2019 GMT
  Subject: C=US, ST=MA, L=Woburn, O=Acme Packet, OU=Certificate
  Authority Dept, CN=*.acme.com/emailAddress=ph2Server@acme.com
  Subject Public Key Info:
    Public Key Algorithm: rsaEncryption
    RSA Public Key: (2048 bit)
  X509v3 extensions:
    X509v3 Basic Constraints:
      CA:FALSE
    X509v3 Issuer Alternative Name:
      email:Smith@CA.com
    X509v3 Subject Alternative Name:
      DNS:gw1.acme.com, DNS:*.ano.com, DNS:*.some.com
    X509v3 Key Usage: critical
      Digital Signature, Key Encipherment
  Signature Algorithm: sha1WithRSAEncryption
  
```

The outgoing SIP INVITE (INVITE 2 in the diagram) would then look like the sample below. The INVITE is sent because **smith.acme.com** matches the common name **\*.acme.com**. Other valid SIP Request-URIs would be:

```

222222@gw1.acme.com
222222@smith.ano.com
222222@amith.some.com
  
```

You can see where the system uses information from the certificate; the text is **bold**.

```
INVITE sip:222222@smith.acme.com:5060 SIP/2.0
Via: SIP/2.0/UDP
172.16.27.113:5060;branch=z9hG4bK4jmg29cmm810cg7smmrn85o4q7
From: 111111 <sip:111111@acme.com>;tag=_ph1_tag
To: 222222 <sip:222222@acme.com>
Call-ID: _1-2_call_id-10147@acme.com-1-
CSeq: 1 INVITE
Contact: <sip:111111@172.16.27.113:5060;transport=udp>
Max-Forwards: 69
Subject: TBD
Content-Type: application/sdp
Content-Length: 138
Route: <sip:222222@172.16.27.188:5060;lr>
v=0
o=user1 53655765 2353687637 IN IP4 172.16.27.113
s=-
c=IN IP4 172.16.27.113
t=0 0
m=audio 20000 RTP/AVP 0
a=rtpmap:0 PCMU/8000
```

## TLS Endpoint Certificate Data Caching Configuration

To configure SIP endpoint certificate data caching for an enforcement profile:

1. Access the **enforcement-profile** configuration element.

```
ORACLE# configure terminal
ORACLE(configure)# session-router
ORACLE(session-router)# enforcement-profile
ORACLE(enforcement-profile)#
```

2. Select the **enforcement-profile** object to edit.

```
ORACLE(enforcement-profile)# select
<name>:
```

```
ORACLE(enforcement-profile)#
```

3. **add-certificate-info**—Enter a list of one or more certificate attribute names to enable TLS certificate information caching and insertion of cached certificate information into a customized SIP INVITES. This parameter is empty by default.

If you want to list more than one value, enclose the value in quotation marks (“ ”) and separate the values with Spaces.

```
ORACLE(enforcement-profile)# add-certificate-info "sub-common-name
sub-alt-name-DNS"
```

4. **certificate-ruri-check**—Change this parameter from **disabled**, its default, to **enabled** if you want your Oracle® Enterprise Session Border Controller to cache

TLS certificate information and use it to validate Request-URIs. Enabling this parameter also means the Oracle® Enterprise Session Border Controller will use the cached TLS certificate information in a customized SIP INVITE.

5. Type **done** to save your configuration.

## Untrusted Connection Timeout for TCP and TLS

You can configure the Oracle® Enterprise Session Border Controller for protection against starvation attacks for socket-based transport (TCP or TLS) for SIP access applications. During such an occurrence, the attacker would open a large number of TCP/TLS connections on the Oracle® Enterprise Session Border Controller and then keep those connections open using SIP messages sent periodically. These SIP messages act as keepalives, and they keep sockets open and consume valuable resources.

Using its ability to promote endpoints to a trusted status, the Oracle® Enterprise Session Border Controller now closes TCP/TLS connections for endpoints that do not enter the trusted state within the period of time set for the untrusted connection timeout. The attacking client is thus no longer able to keep connections alive by sending invalid messages.

This feature works by setting a value for the connection timeout, which the Oracle® Enterprise Session Border Controller checks whenever a new SIP service socket for TCP or TLS is requested. If the timer's value is greater than zero, then the Oracle® Enterprise Session Border Controller starts it. If the timer expires, then the Oracle® Enterprise Session Border Controller closes the connection. However, if the endpoint is promoted to the trusted state, then the Oracle® Enterprise Session Border Controller will cancel the timer.

## Caveats

This connection timeout is intended for access applications only, where one socket is opened per-endpoint. This means that the timeout is not intended for using in peering applications; if this feature were enabled for peering, a single malicious SIP endpoint might cause the connection to be torn down unpredictably for all calls.

## Untrusted Connection Timeout Configuration for TCP and TLS

The untrusted connection timer for TCP and TLS is set per SIP interface.

To set the untrusted connection timer for TCP and TLS:

1. In Superuser mode, type **configure terminal** and press Enter.

```
ORACLE# configure terminal
```

2. Type **session-router** and press Enter to access the signaling-level configuration elements.

```
ORACLE(configure)# session-router  
ORACLE(session-router)#
```

3. Type **sip-interface** and press Enter.

```
ORACLE(session-router)# sip-interface
ORACLE(sip-interface)#
```

If you are adding support for this feature to a pre-existing SIP configuration, then you must select (using the ACLI **select** command) the configuration that you want to edit.

4. **untrusted-conn-timeout**—Enter the time in seconds that you want the Oracle® Enterprise Session Border Controller to keep TCP and TLS connections open for untrusted endpoints. The default value is **0**, which will not start the timer. The valid range is:
  - Minimum—0
  - Maximum—999999999
5. Save and activate your configuration.

## Securing Communications Between the E-SBC and SDM with TLS

You can use the Transport Layer Security (TLS) protocol to secure the communications link between the Oracle® Enterprise Session Border Controller (E-SBC) and the Oracle Communications Session Delivery Manager (SDM). Note that the systems use Acme Control Protocol (ACP) for this messaging.

To configure the E-SBC to use TLS for this ACP messaging:

1. Configure a TLS profile. The `tls-profile` object is located under `security`, where you add certificates, select cipher lists, and specify the TLS version for each profile.
2. Configure system-config element's `acp-tls-profile` parameter to specify this TLS profile.

The `acp-tls-profile` parameter is empty by default, which means that ACP over TLS is disabled. When ACP over TLS is disabled, the SDM establishes a TCP connection with the E-SBC. When the `acp-tls-profile` parameter specifies a valid TLS profile, the E-SBC negotiates a TLS connection with SDM.

### Note:

This feature requires SDM version 8.1 and above.

## Online Certificate Status Protocol

The Online Certificate Status Protocol (OCSP) is defined in RFC 2560, X.509 Internet Public Key Infrastructure Online Certificate Status Protocol - OCSP. The protocol enables users to determine the revocation state of a specific certificate, and may provide a more efficient source of revocation information than is possible with Certificate Revocation Lists (CRL).

The protocol specifies the data exchanged between an OCSP client (for example, the Oracle® Enterprise Session Border Controller) and an OCSP responder, the Certification Authority (CA), or its delegate, that issued the target certificate. An OCSP

client issues a request to an OCSP responder and suspends acceptance of the certificate in question until the responder replies with a certificate status.

Certificate status is reported as

- good
- revoked
- unknown

good indicates a positive response to the status inquiry. At a minimum, this positive response indicates that the certificate is not revoked, but does not necessarily mean that the certificate was ever issued or that the time at which the response was produced is within the certificate's validity interval.

revoked indicates that the certificate has been revoked, either permanently or temporarily.

unknown indicates that the responder cannot identify the certificate.

## Caveats

OCSP is currently supported only on TLS interfaces; it is not currently supported for use with IKEv1 and IKEv2.

## Online Certificate Status Protocol Configuration

OCSP configuration consists of

1. Configuring one or more certificate status profiles; each profile contains information needed to contact a specific OCSP responder.
2. Enabling certificate revocation checking by assigning a certificate status profile to a previously configured TLS profile.

To create a certificate status profile:

3. From superuser mode, use the following command sequence to access cert-status-profile configuration mode. While in this mode, you provide the information required to access one or more OCSP responders.

```
ORACLE# configure terminal
ORACLE(configure)# security
ORACLE(security)# cert-status-profile
ORACLE(cert-status-profile)#
```

4. Use the required **name** parameter to identify this cert-status-profile instance — each profile instance provides configuration data for a specific OCSP responder. **name** is used to distinguish between multiple profile instances.
5. Use the required **ip-address** parameter to specify the IPv4 address of the OCSP responder.
6. Use the optional **port** parameter to specify the destination port.  
In the absence of an explicitly configured value, the default port number of 80 is used.
7. Use the optional **realm-id** parameter to specify the realm used to transmit OCSP requests.

In the absence of an explicitly configured value, the default specifies service across the wancom0 interface.

8. Use the optional **requester-cert** parameter only if OCSP requests are signed; ignore this parameter if requests are not signed.

RFC 2560 does not require signed requests; however, local or CA policies can mandate digital signature..

9. Use the required **responder-cert** parameter to identify the certificate used to validate OCSP responses — a public key of the OCSP responder.

RFC 2560 requires that all OCSP responders digitally sign OCSP responses, and that OCSP clients validate incoming signatures.

Provide the name of the certificate configuration element that contains the certificate used to validate the signed OCSP response.

10. Use the optional **retry-count** parameter to specify the maximum number of times to retry an OCSP responder in the event of connection failure.

If the retry counter specified by this parameter is exceeded, the OCSP requester either contacts another responder (if multiple responders have been configured within this cert-status-profile) and quarantine the unavailable responder for a period defined the **dead-time** parameter.

In the absence of an explicitly configured value (an integer within the range 0 through 10), the default of 1 is used.

```
ORACLE(cert-status-profile)# retry-count 2
ORACLE(cert-status-profile)#
```

11. Use the optional **dead-time** parameter to specify the quarantine period imposed on an unavailable OCSP responder.

In the absence of an explicitly configured value (an integer within the range 0 through 3600 seconds), the default value (0) is used.

Customer implementations utilizing a single OCSP responder are encouraged to retain the default value, or to specify a brief quarantine period to prevent lengthy service outages.

12. Retain default values for the **type** and **trans-protocol** parameter to specify OCSP over an HTTP transport protocol.

13. Use **done**, **exit**, and **verify-config** to complete configuration of this cert-status-profile instance.

14. Repeat Steps 1 through 11 to configure additional certificate status profiles.

To enable certificate status checking:

15. Move to tls-profile configuration mode.

```
ORACLE# configure terminal
ORACLE(configure)# security
ORACLE(security)# tls-profile
ORACLE(tls-profile)#
```

16. Use the required **cert-status-check** parameter to enable OCSP in conjunction with an existing TLS profile.



17. Use the required **cert-status-profile-list** parameter to assign one or more cert-status-profiles to the current TLS profile.

Each assigned cert-status-profile provides the information needed to access a single OCSP responder.

Use quotation marks to assign multiple OCSP responders. The following sequence assigns three cert-status-profiles, VerisignClass3Designate, Verisign-1, and Thawte-1 to the TLS-1 profile.

18. Use **done**, **exit**, and **verify-config** to complete configuration.

#### Sample Configuration:

```
ORACLE# configure terminal
ORACLE(configure)# security
ORACLE(security)# cert-status-profile
ORACLE(cert-status-profile)# name VerisignClass3Designate
ORACLE(cert-status-profile)# ip-address 192.168.7.100
ORACLE(cert-status-profile)# responder-cert
VerisignClass3ValidateOCSP
ORACLE(cert-status-profile)# done
ORACLE(cert-status-profile)# exit
...
...
ORACLE# configure terminal
ORACLE(configure)# security
ORACLE(security)# tls-profile
ORACLE(tls-profile)# select
<name>:
1. TLS-1
2. TLS-2
3. TLS-3
selection: 1
ORACLE(tls-profile)# cert-status-check enabled
ORACLE(cert-status-profile)# cert-status-profile-list
VerisignClass3Designate Verisign-1 Thawte-1
ORACLE(cert-status-profile)# done
ORACLE(cert-status-profile)# exit
```

## Unreachable OCSR

With OCSP enabled, the client implementation running on the Oracle® Enterprise Session Border Controller supports message exchange between the Oracle® Enterprise Session Border Controller and an OCSR as specified in RFC 2560, X.509 *Internet Public Key Infrastructure Online Certificate Status Protocol - OCSP*. The Oracle® Enterprise Session Border Controller contacts the OCSR whenever a remote client attempts to establish an SSL/TLS connection with the Oracle® Enterprise Session Border Controller. The Oracle® Enterprise Session Border Controller sends a request to the OCSR to check the current status of the certificate presented by the remote client. The Oracle® Enterprise Session Border Controller suspends processing of the SSL/TLS connection request pending receipt of the OCSR response. In previous releases (prior to Version S-CX6.3.0), a good OCSR response resulted in the establishment of a secure SSL/TLS connection. A revoked or unknown OCSR response, or the failure to reach an OCSR, resulted in the rejection of the connection attempt.

This behavior, which adheres to the requirements of RFC 2560, conflicts with the requirements of Section 5.4.6.2.1.6.4.a.i of UCR 2008 which requires an OCSP client to attempt authentication of remote clients in the event of an unreachable OCSR.

Release S-CX6.3F1 adds a new attribute (**ignore-dead-responder**) to the TLS profile configuration element to provide compliance with DISA/DoD requirements specifying OCSP client operations when faced with unreachable OCSRs. By default, the attribute is disabled meaning that all client connections will be disallowed in the event of unreachable OCSRs.

In DISA/DoD environments **ignore-dead-responder** should be enabled, allowing local certificate-based authentication by the Oracle® Enterprise Session Border Controller in the event of unreachable OCSRs. Successful authentication is achieved if the certificate presented by the remote client was signed by a Certificate Authority (CA) referenced by the **trusted-ca-certificates** attribute. If the local authentication succeeds, the secure TLS/SSL connection is established; otherwise the connection is rejected.

## Unreachable OCSR Configuration

The following sample configuration implements DISA/DoD-compliant client behavior in the event of an unreachable OCSR.

```
ACMEPACKET# configure terminal
ACMEPACKET(configure)# security#
ACMEPACKET(security)# tls-profile
ACMEPACKET(security)# show
tls-profile
      name                DoD
end-entity-certificate    sylvanCert-2048
trusted-ca-certificates   dod1 dod2 disaA disaB IBM1
cipher-list               all
verify-depth              10
mutual-authenticate       disabled
tls-version                tlsv1
cert-status-check         enabled
cert-status-profile-list   DoD
ignore-dead-responder     enabled
...
...
ACMEPACKET(tls-profile)#
```

## OCSR Status Monitoring

OCSR monitoring is provided to track the reachability of individual OCSRs, and, in topologies containing multiple OCSRs, the overall availability of OCSR service.

If monitoring is enabled for individual OCSRs, reachability is monitored by observing responder transactions.

Initially, all OCSRs are considered reachable. If a previously reachable OCSR fails to respond to a certificate status request, the Oracle® Enterprise Session Border Controller marks the OCSR as unreachable, and generates an SNMP trap and log entry indicating that status. If a previously unreachable OCSR respond to a certificate status request, the Oracle® Enterprise Session Border Controller returns the OCSR to

the reachable status, and generates an SNMP trap and log entry indicating that status change.

Use the following procedure to enable monitoring of individual OCSRs.

1. Navigate to the new security-config configuration element.

```
ORACLE# configure terminal
ORACLE(configure)# security#
ORACLE(security)# security-config
ORACLE(security-config)#
```

2. Enable monitoring of individual OCSRs by setting the **ocsr-monitoring-traps** attribute to **enabled**; this attribute is disabled by default.

```
ORACLE(security-config)# ocsr-monitoring-traps enabled
ORACLE(security-config)#
```

3. Use **done**, **exit**, and **verify-config** to complete required configuration.

Reachability status of individual OCSRs is aggregated to monitor the overall availability of OCSR service. Using the procedure explained above, the Oracle® Enterprise Session Border Controller maintains a count of all OCSRs, and of all reachable OCSRs.

- If all OCSRs are reachable, the Oracle® Enterprise Session Border Controller generates a trap and log entry noting this optimal state.
- If all OCSRs are unreachable, the Oracle® Enterprise Session Border Controller generates a trap and log entry noting this erroneous state.
- When the Oracle® Enterprise Session Border Controller transitions from either of the two states described above (in the optimal state, when an OCSR becomes unreachable; in the erroneous state, when an unreachable OCSR becomes reachable), the Oracle® Enterprise Session Border Controller generates a trap and log entry indicating that an unspecified number of OCSRs are reachable.

Monitoring of OCSR service availability is a by-product of enabling SNMP; no further configuration is required.

## OCSR Access via FQDN

Prior software releases supported OCSR access only via IPv4 addresses and port numbers. In response to a DISA/DoD request, Release S-CX6.3F1 adds support for OCSR access via FQDNs. Since multiple public key infrastructure (PKI) elements capable of supporting OCSP requests can exist within a DISA/DoD environment, the Domain Name Service (DNS) lookup that resolves the FQDN can result in more than one OCSR IP address being returned to the Oracle® Enterprise Session Border Controller in its role of OCSP client. When processing a lookup that contains more than one IP address, the Oracle® Enterprise Session Border Controller uses a round-robin algorithm to select from the list of OCSR addresses.

OCSR Access via FQDN is available on all media interfaces and on the wancom0 administrative interface. Note that support for FQDN-based access is requires the configuration of DNS support.

If the **realm** attribute is configured in the certificate-status-profile configuration element, the required DNS query is issued on the corresponding network interface. This model requires configuration of the **dns-ip-primary** attribute, and optionally the **dns-ip-backup1** and **dns-ip-backup2** attributes for the realm's network interface.

If the **realm** attribute is not configured in the certificate-status-profile, the required DNS query is issued on the wancom0 interface. This model requires configuration of the **dns-ip-primary** attribute, and optionally the **dns-ip-backup1** and **dns-ip-backup2** attributes for the wancom0 interface.

Access via an FQDN is supported by a new attribute (**hostname**) in the cert-status-profile configuration element.

The Oracle® Enterprise Session Border Controller allows configuration of both an OCSR IP address and port number (using the **ip-address** and **port** attributes) and an OCSR domain (using the **hostname** attribute).

In such cases the **verify-config** command issues a warning and notes that IP address-based access will be used.

## OCSR Access Configuration via IP Address

The following sample configuration accesses an OCSR at 192.168.7.100:8080.

```
ORACLE# configure terminal
ORACLE(configure)# security#
ORACLE(secirity)# cert-status-profile#
ORACLE(cert-status-profile)# show
cert-status-profile
      name                defaultOCSP
      ip-address          192.168.7.100
      hostname
      port                8080
      type                OCSF
      trans-PROTO         HTTP
      requestor-cert      ocsfVerisignClient
      responder-cert      VerisignCA2
      trusted-cas
      realm-id            admin
      retry-count         1
      dead-time           0
      last-modified-by
      last-modified-date
ORACLE(cert-status-profile)#
```

## OCSR Access Configuration via FQDN

The following sample configuration accesses one or more OCSRs at example.disa.mil.

Note that in the absence of a specified domain, the wancom0 interface must be DNS-enabled.

```
ORACLE# configure terminal
ORACLE(configure)# security#
ORACLE(cert-status-profile)# show
```

```
cert-status-profile
  name                DISAdomain2
  ip-address
  hostname            example.disa.mil
  port
  type                OCSP
  trans-PROTO         HTTP
  requestor-cert
  responder-cert
  trusted-cas         dod1 dod2 disaA disaB IBM1
  realm-id
  retry-count         1
  dead-time           0
  last-modified-by
  last-modified-date
ORACLE(cert-status-profile)#
```

## Direct and Delegated Trust Models

RFC 2560 specifies that an OCSR must digitally sign OCSP responses, and that an OCSP client must validate the received signature. In prior releases, successful validation of the signed response served to authenticate the responder. Such an authentication method is referred to as a direct trust model in that it does not require confirmation from a trusted Certificate Authority (CA). Rather it requires that the OCSP client be in possession of the public counterpart of the private key used by the OCSR to sign the response. This certificate is identified by the **responder-cert** attribute in the cert-status-profile configuration element. Prior to Release S-CX6.3F1, authentication via signature validation was the only authentication method provided by the OCSP client implementation.

Release S-CX6.3F1 continues support for the direct trust model, while also supporting an alternative delegated trust model as described in Section 5.4.6.2.1.6.1.e.3.c of UCR 2010. The delegated trust model requires that OCSR be authenticated by a trusted CA. Within the DISA/DoD delegated trust model, an OCSR certificate is appended to every response, thus eliminating the need for a pre-provisioned responder certificate. The appended certificate is a signing certificate issued and signed by a DoD-approved CA that issued the certificate that is being validated. These OCSR certificates have a short lifespan and are reissued regularly.

### Direct Trust Model Configuration

The direct trust model is used in virtually all commercial/enterprise environments. Configuration of the direct trust model is unchanged from that contained in the latest version of your hardware or the Oracle® Enterprise Session Border Controller *Configuration Guide*.

### Delegated Trust Model Configuration

The delegated trust model is used exclusively in some strict DISA/DoD environments; other DISA/DoD environments may support both the direct and delegated trust models.

Use the following procedure to configure OCSP for DISA/DoD environments.

1. From superuser mode, use the following command sequence to access cert-status-profile configuration mode. While in this mode, you configure a cert-status-profile configuration element, a container for the information required to access a single, specific OCSR.

```
ORACLE# configure terminal
ORACLE(configure)# security
ORACLE(security)# cert-status-profile
ORACLE(cert-status-profile)#
```

2. The **name** attribute differentiates cert-status-profile configuration elements one from another. Each cert-status-profile provides configuration information for a single, specific OCSP responder.
3. The **type** attribute selects the certificate revocation check methodology, the only currently supported methodology is OCSP.
4. Retain the default value (http) for **trans-protocol** attribute, which identifies the transport method used to access the OCSR.
5. The **ip-address** attribute works in conjunction with the **port** attribute to provide the IP address of the OCSR.

**ip-address** identifies the OCSR by its IP address. **port** identifies the port monitored by the HTTP server for incoming OCSP requests.

The **port** attribute can be safely ignored if the OCSR is specified as a FQDN by the **host-name** attribute, but is required if the OCSR is identified by the **ip-address** attribute.

Allowable **port** values are integers within the range 1025 through 65535. In the absence of an explicitly configured value, the system provides a default value of 80, the well-known HTTP port.

6. Alternatively, use the **host-name** attribute to identify the OCSR.

**host-name** identifies the OCSR by a FQDN.

If you provide both an IPv4 address/port number and a FQDN, the Oracle® Enterprise Session Border Controller uses the IP address/port number and ignores the FQDN.

If values are provided for both attributes, the Security Gateway uses the IP address and ignores the **host-name** value.

7. The **realm-id** attribute specifies the realm used to access the OCSR.

In the absence of an explicitly configured value, the Oracle® Enterprise Session Border Controller provides a default value of wancom0, specifying OCSP transmissions across the wancom0 management interface.

If the OCSR identified by a FQDN, the realm identified by **realm-id** must be DNS-enabled.

8. The **requester-cert** attribute is meaningful only if OCSP requests are signed; ignore this attribute if requests are not signed.

RFC 2560 does not require the digital signature of OCSP requests. OCSRs, however, can impose signature requirements.

If a signed request is required by the OCSR, provide the name of the certificate configuration element that contains the certificate used to sign OCSP requests.

9. The **responder-cert** attribute identifies the certificate used to validate signed OCSF response — a public key of the OCSR.

In DISA/DoD environments that support the direct trust model, optionally provide the name of the certificate configuration element that contains the certificate used to validate the signed OCSF response.

If a **responder-cert** is provided, it is only used if the OCSF response has no appended certificates, in which case the OCSF client attempts to validate the response signature. Depending on the validation failure or success, the response is rejected or accepted.

If the OCSF response has an appended certificate or certificate chain, the **responder-cert** is ignored, and the trusted-cas list is used to validate the appended certificate(s).

10. The **trusted-cas** attribute (a list of certificate configuration objects) identifies the approved DoD-approved CAs that sign OCSR certificates.

In DISA/DoD environments that support the delegated trust model, you must provide a list of CAs used to validate the received certificate.

If a certificate or a certificate chain is appended to the OCSF response, the OCSF client verifies that the first certificate signed the response, and that the CA is trusted by the Oracle® Enterprise Session Border Controller (that is, the CA certificate is contained in the **trusted-cas** list. The client then walks through each additional certificate (if any exist) ensuring that each certificate is also trusted. If all certificates are trusted, the OCSF response is accepted; otherwise, it is rejected.

11. The **retry-count** attribute specifies the maximum number of times to retry an OCSF responder in the event of connection failure.

If the retry counter specified by this attribute is exceeded, the OCSF requester contacts another responder (if multiple responders have been configured) and quarantines the unavailable responder for a period defined the **dead-time** attribute.

In the absence of an explicitly configured value (an integer within the range 0 through 10), the Oracle® Enterprise Session Border Controller provides a default value of 1 (connection retries).

12. The **dead-time** attribute specifies the quarantine period imposed on an unavailable OCSR.

In the absence of an explicitly configured value (an integer within the range 0 through 3600 seconds), the Oracle® Enterprise Session Border Controller provides a default value of 0 (no quarantine period).

Customer implementations utilizing a single OCSF responder are encouraged to retain the default value, or to specify a brief quarantine period to prevent lengthy service outages.

13. Use **done**, **exit**, and **verify-config** to complete configuration of this cert-status-profile instance.

14. Repeat Steps 1 through 13 to configure additional cert-status-profile configuration elements.

## Secure Real-Time Protocol (SRTP) for Software

The Secure Real-Time Transport Protocol, as described in RFC 3711, *The Secure Real-time Transport Protocol (SRTP)*, provides a framework for the encryption and authentication of Real-time Transport Protocol (RTP) and RTP Control Protocol (RTCP) streams. Both RTP and RTCP are defined by RFC 3550, *RTP: A Transport Protocol for Real-Time Applications*.

Encryption ensures that the call content and associated signalling remains private during transmission.

Authentication ensures the following.

- Received packets are from the purported source
- Packets have not been tampered with during transmission
- A packet has not been replayed by a malicious server

### Protocol Overview

While the RFC 3711 framework provides encryption and authentication procedures and defines a set of default cryptographic transforms required for RFC compliance, it does not specify a key management protocol to securely derive and exchange cryptographic keys. RFC 4568, *Session Description Protocol (SDP) Security Description for Media Streams*, defines such a protocol specifically designed to exchange cryptographic material using a newly defined SDP crypto attribute. Cryptographic parameters are established with only a single message or in single round-trip exchange using the offer/answer model defined in RFC 3264, *An Offer/Answer Model with the Session Description Protocol*.

The current release provides support for an initial SDP Security Descriptions (SDS) implementation that generates keys used to encrypt SRTP/SRTCP packets.

Authentication of packets will be added to a subsequent release.

A sample SDP exchange is shown below:

The SDP offerer sends:

```
v=0
o=sam 2890844526 2890842807 IN IP4 10.47.16.5
s=SRTP Discussion
i=A discussion of Secure RTP
u=http://www.example.com/seminars/srtp.pdf
e=marge@example.com (Marge Simpson)
c=IN IP4 168.2.17.12
t=2873397496 2873404696
m=audio 49170 RTP/SAVP 0
a=crypto:1 AES_CM_128_HMAC_SHA1_80
inline:WVNfX19zZW1jdGwgKCKgewkyMjA7fQp9CnVubGVz|2^20|1:4
```



The SDP answerer replies:

```
v=0
o=jill 25690844 8070842634 IN IP4 10.47.16.5
s=SRTP Discussion
i=A discussion of Secure RTP
u=http://www.example.com/seminars/srtp.pdf
e=homer@example.com (Homer Simpson)
c=IN IP4 168.2.17.11
t=2873397526 2873405696
m=audio 32640 RTP/SAVP 0
a=crypto:1 AES_CM_128_HMAC_SHA1_80
inline:PSluQCVeeCFCanVmcjKpPywjNWhcYD0mXXtxaVBR|2^20|1:4
```

The media-level SDP attribute, `crypto`, describes the cryptographic suite, key parameters, and session parameters for the preceding unicast media line. The `crypto` attribute takes the form:

```
a=crypto: tag crypto-suite key-parameter [session-parameters]
```

`tag`

The `tag` field contains a decimal number that identifies a specific attribute instance. When an offer contains multiple `crypto` attributes, the answer uses the `tag` value to identify the accepted offer.

In the sample offer the `tag` value is 1.

`crypto-suite`

The `crypto-suite` field contains the encryption and authentication algorithms, either `AES_CM_128_HMAC_SHA1_80` or `AES_CM_128_HMAC_SHA1_32`.

`key-parameter`

The `key-parameter` field contains one or more sets of keying material for the selected `crypto-suite` and it has following format.

```
"inline:" <key||salt> ["|" lifetime] ["|" MKI ":" length]
```

`inline` is a method and specifies that the `crypto` material to be used by the offerer is transmitted via the SDP.

The `key||salt` field contains a base64-encoded concatenated master key and salt.

Assuming the offer is accepted, the `key || salt` provides the `crypto` material used by the offerer to encrypt SRTP/SRTCP packets, and used by the answerer to decrypt SRTP/SRTCP packets.

Conversely the `key || salt` contained in the answer to the offer provides the `crypto` material used by the answerer to encrypt SRTP/SRTCP packets, and used by the offerer to decrypt SRTP/SRTCP packets.

The `lifetime` field optionally contains the master key lifetime (maximum number of SRTP or SRTCP packets encoded using this master key).

In the sample offer the `lifetime` value is 1,048, 576 (220) packets.

The MKI:length field optionally contains the Master Key Index (MKI) value and the MKI length.

The MKI is used only when the offer contains multiple keys; it provides a means to differentiate one key from another. The MKI takes the form of an integer, followed by its byte length when included in SRTP/SRTCP packets. For hardware-based platforms, the length value can be up to 32 bytes. For software-based platforms, the length value is 4 bytes.

In the sample offer the MKI value is 1 with a length of 4 bytes.

The session-parameters field contains a set of optional parameters that may override SRTP session defaults for the SRTP and SRTCP streams.

UNENCRYPTED\_SRTP — SRTP messages are not encrypted

UNENCRYPTED\_SRTCP — SRTCP messages are not encrypted

UNAUTHENTICATED\_SRTP — SRTP messages are not authenticated

When generating an initial offer, the offerer ensures that there is at least one crypto attribute for each media stream for which security is desired. Each crypto attribute for a given media stream must contain a unique tag. The ordering of multiple crypto attributes is significant — the most preferred crypto suite is listed first.

Upon receiving the initial offer, the answerer must either accept one of the offered crypto attributes, or reject the offer in its entirety.

When an offered crypto attribute is accepted, the crypto attribute contained in the answer MUST contain the tag and crypto-suite from the accepted crypto attribute in the offer, and the key(s) the answerer will use to encrypt media sent to the offerer.

The crypto-suite is bidirectional and specifies encryption and authentication algorithms for both ends of the connection. The keys are unidirectional in that one key or key set encrypts and decrypts traffic originated by the offerer, while the other key or key set encrypts and decrypts traffic originated by the answerer.

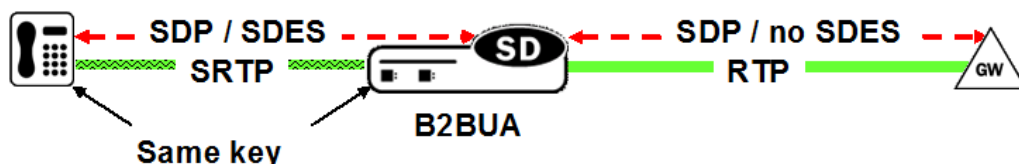
Key exchange via text-based SDP is unacceptable in that malicious network elements could easily eavesdrop and obtain the plaintext keys, thus compromising the privacy and integrity of the encrypted media stream. Consequently, the SDP exchange must be protected by a security protocol such as TLS.

## Operational Modes

SRTP topologies can be reduced to three basic topologies which are described in the following sections.

### Single-Ended SRTP Termination

Single-ended SRTP termination is illustrated in the following figure.



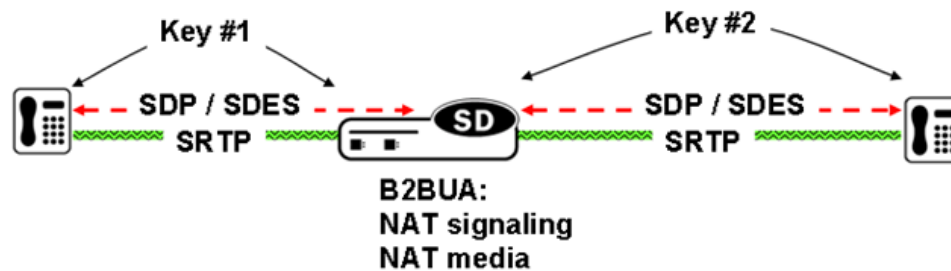
If SRTP is enabled for the inbound realm/interface, the Oracle® Enterprise Session Border Controller handles the incoming call as specified by the Media Security Policy assigned to the inbound realm. If there is crypto attribute contained in the offer, the Oracle® Enterprise Session Border Controller parses the crypto attributes and optional parameters, if any. If the offer contains a crypto attribute or attributes compatible with the requirements specified by the SDES profile assigned to the Media Security policy, it selects the most preferred compatible attribute. Otherwise, the Oracle® Enterprise Session Border Controller rejects the offer. Before the SDP is forwarded to the called party, the Oracle® Enterprise Session Border Controller allocates resources, established SRTP and SRTCP Security Associations and updates the SDP by removing the crypto attribute and inserting possibly NAT'ed media addresses and ports. At the same time, the original crypto attribute is also removed from the SDP.

Once the reply from the called party is received, the Oracle® Enterprise Session Border Controller inserts appropriate crypto attribute(s) to form a new SDP, and forward the response back to the calling party.

Refer to [ACLI Example Configurations](#) for a sample ACLI configuration.

## Back-to-Back SRTP Termination

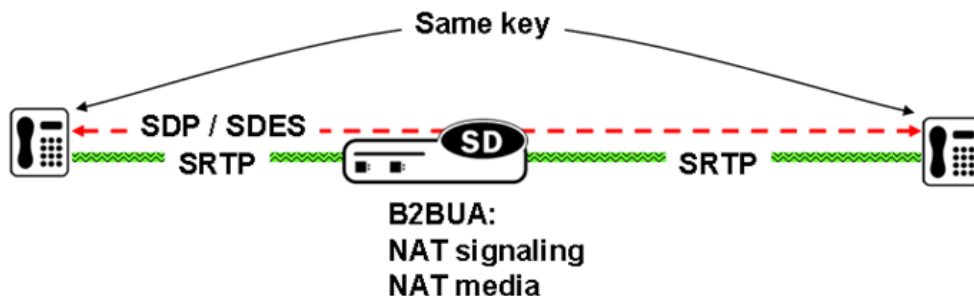
The following figure illustrates Back-to-back SRTP termination.



Initial processing is similar to the single-ended termination described above. Before forwarding the request to the called party, the Oracle® Enterprise Session Border Controller (E-SBC) replaces the original crypto attribute with a new one whose crypto attribute conforms to the media security policy for the outbound realm/interface. Upon receiving the answer from the called party, the E-SBC accepts or rejects it, again based upon conformity to the media security policy. If accepted, the E-SBC replaces the original crypto attribute from the called party with its own to form a new SDP, which it forwards back to the calling party. At this point, SRTP media sessions are established on both sides for both calling and called parties.

## SRTP Pass-Thru

The following figure illustrates SRTP pass-thru.



### SRTP Pass-Thru

If the media security policy specifies pass-through mode, the Oracle® Enterprise Session Border Controller (E-SBC) does not alter the crypto attribute exchange between the calling and the called party; the attribute is transparently passed.

## ACLI Instructions

SDES configuration consists of the following steps.

1. Create one or more SDES profiles which specify parameter values negotiated during the offer/answer exchange.
2. Create one or more Media Security Policies that specify key exchange protocols and protocol-specific profiles.
3. Assign a Media Security Policy to a realm.
4. Create an interface-specific Security Policy (refer to [Security Policy](#) for a sample ACLI configuration)

## SDES Profile Configuration

An SDES profile specifies the parameter values offered or accepted during SDES negotiation.

1. From superuser mode, use the following command sequence to access sdes-profile configuration mode.

```
ORACLE# configure terminal
ORACLE(configure)# security
ORACLE(security)# media-security
ORACLE(media-security)# sdes-profile
ORACLE(sdes-profile)#
```

2. Use the required **name** parameter to provide a unique identifier for this sdes-profile instance.  
**name** enables the creation of multiple sdes-profile instances.
3. Use the **crypto-suite** parameter to select the algorithms accepted or offered by this sdes-profile.

 **Note:**

SRTP authentication is not currently supported.

Allowable values are:

AES\_CM\_128\_HMAC\_SHA1\_80 (the default value)

supports AES/128 bit key for encryption and HMAC/SHA-1 80-bit digest for authentication

AES\_CM\_128\_HMAC\_SHA1\_32

supports AES/128 bit key for encryption and HMAC/SHA-1 32-bit digest for authentication

4. Because SRTP authentication is not currently supported, ignore the **srtp-auth** parameter.
5. Use the **srtp-encrypt** parameter to enable or disable the encryption of RTP packets.

With encryption enabled, the default condition, the Oracle® Enterprise Session Border Controller (E-SBC) offers RTP encryption, and rejects an answer that contains an UNENCRYPTED\_SRTP session parameter in the crypto attribute.

With encryption disabled, the E-SBC does not offer RTP encryption and includes an UNENCRYPTED\_SRTP session parameter in the SDP crypto attribute; it accepts an answer that contains an UNENCRYPTED\_SRTP session parameter.

6. Use the **srtcp-encrypt** parameter to enable or disable the encryption of RTCP packets.

With encryption enabled, the default condition, the E-SBC offers RTCP encryption, and rejects an answer that contains an UNENCRYPTED\_SRTCP session parameter in the crypto attribute.

With encryption disabled, the E-SBC does not offer RTCP encryption and includes an UNENCRYPTED\_SRTCP session parameter in the SDP crypto attribute; it accepts an answer that contains an UNENCRYPTED\_SRTCP session parameter.

7. Use the **key** and **salt** parameters to generate the synchronous key used to encrypt and decrypt SRTP/SRTCP traffic originated by the E-SBC. These concatenated values are passed to the remote SRTP peer. Upon reception, the remote peer inputs the key and salt values to the negotiated encryption algorithm (AES in the current implementation), thus deriving the key required to decrypt SRTP/SRTCP traffic received from the E-SBC.

The **key** parameter provides the basic keying material, while the salt (a bit string) provides the randomness/entropy required by the encryption algorithm.

8. Use the **mki** parameter to enable or disable the inclusion of the MKI:length field in the SDP crypto attribute.

The master key identifier (MKI) is an optional field within the SDP crypto attribute that differentiates one key from another. MKI is expressed as a pair of decimal numbers in the form: `[mki:mki_length]` where `mki` is the MKI integer value and `mki_length` is the length of the MKI field in bytes.

The MKI field is necessary only if the SDES offer contains multiple keys within the crypto attribute.

Allowable values are enabled and disabled (the default).

enabled – an MKI field is sent within the crypto attribute (16 bytes maximum)

disabled – no MKI field is sent

9. Use the **egress-offer-format** to specify the egress offer format for this profile to use when you set the outbound mode in the associated media security policy to any (refer to [Table 13-1](#)). You can select one of two values:

If the media security policy requires the use of either RTP or SRTP, this parameter can be safely ignored. If the media security policy is permissive (the mode parameter is set to **any**), select one of the two supported values.

- **same-as-ingress (default)**, the E-SBC leaves the profile of the media lines unchanged
  - **simultaneous-best-effort**, the E-SBC inspects the incoming offer SDP and:
    - Adds an RTP/SAVP media line for any media profile that has only the RTP/AVP media profile
    - Adds an RTP/AVP media line for any media profile that has only the RTP/SAVP media profile
10. Use **done**, **exit**, and **verify-config** to complete configuration of this SDES profile instance.
  11. Repeat Steps 1 through 8 to configure additional SDES profiles.

## Media Security Policy Configuration

Use the following procedure to create a Media Security Policy that specifies the role of the Oracle® Enterprise Session Border Controller (E-SBC) in the security negotiation. When the E-SBC takes part in the negotiation, the policy specifies a key exchange protocol and SDES profile for both incoming and outgoing calls.

1. Access the media-sec-policy configuration element.

```
ORACLE# configure terminal
ORACLE(configure)# security
ORACLE(security)# media-security
ORACLE(media-security)# media-sec-policy
ORACLE(media-sec-policy)#
```

2. Use the required **name** parameter to provide a unique identifier for this media-sec-policy instance.

**name** enables the creation of multiple media-sec-policy instances.

3. Use optional **pass-through** parameter to enable or disable pass-thru mode.

With pass-through mode disabled (the default state), the E-SBC disallows end-to-end negotiation — rather the Oracle® Enterprise Session Border Controller initiates and terminates SRTP connections with both endpoints.

With pass-through mode enabled, the SRTP endpoints negotiate security parameters between each other; consequently, the E-SBC simply relays SRTP traffic between the two endpoints.

4. Use the **outbound** navigation command to move to media-sec-outbound configuration mode. While in this configuration mode you specify security parameters applied to the outbound call leg, that is calls sent by the E-SBC.
5. Use the **profile** parameter to specify the name of the SDES profile applied to calls sent by the E-SBC.
6. Use the **mode** parameter to select the real time transport protocol.  
Allowable values are rtp (the default) | srtp | any (either rtp | srtp)  
**mode** identifies the transport protocol (RTP or SRTP) included in an SDP offer when this media-security-policy is in effect.
7. Use the **protocol** parameter to select the key exchange protocol.  
Select sdes for SDES key exchange.
8. Use the **done** and **exit** parameters to return to media-sec-policy configuration mode.
9. Use the **inbound** navigation command to move to media-sec-inbound configuration mode. While in this configuration mode you specify security parameters applied to the inbound call leg, that is calls received by the E-SBC.
10. Use the **profile** parameter to specify the name of the SDES profile applied to calls received by the E-SBC.
11. Use the **mode** parameter to select the real time transport protocol.  
Allowable values are rtp (the default) | srtp | any (either rtp | srtp)  
**mode** identifies the transport protocol (RTP or SRTP) included in an SDP offer when this media-security-policy is in effect.
12. Use the **protocol** parameter to select the key exchange protocol.  
Select sdes for SDES key exchange.
13. Use **done**, **exit**, and **verify-config** to complete configuration of this media security policy instance.
14. Repeat Steps 1 through 13 to configure additional media-security policies.

## Assign the Media Security Policy to a Realm

To assign a media-security-policy to a realm:

1. From superuser mode, use the following command sequence to access realm-config configuration mode. While in this mode, you assign an existing media-security-policy to an existing realm.

```
ORACLE# configure terminal
ORACLE(configure)# media-manager
ORACLE(media-manager)# realm-config
ORACLE(realm-config)# select
identifier:
1. access-12
...
...
selection: 1
ORACLE(realm-config)#
```

2. Use the **media-sec-policy** parameter to assign the policy to the target realm.
3. Use **done**, **exit**, and **verify-config** to complete assignment of the media-security-policy to the realm.

## ACLI Example Configurations

The following section contain XML representations of system configurations for basic operational modes.

### Single-Ended SRTP Termination Configuration

```

<sdesProfile name='sdes'
  srtpAuth='enabled'
  srtpEncrypt='enabled'
  srtcpEncrypt='enabled'
  mki='disabled'
  egressOfferFormat='same-as-ingress'
  useIngressSessionParams=''
  options=''
  key=''
  salt=''
  lastModifiedBy='admin@172.30.11.55'
  lastModifiedDate='2013-03-04 19:29:40' objectId='21'>
  <cipherSuites name='AES_CM_128_HMAC_SHA1_80' />
  key>sdes</key>
</sdesProfile>

<mediaSecPolicy name='sdes'
  passThrough='disabled'
  options=''
  lastModifiedBy='admin@172.30.11.55'
  lastModifiedDate='2013-03-04 19:30:23' objectId='22'>

  <inbound profile='sdes'
    mode='srtp'
    protocol='sdes' />

  <outbound profile='sdes'
    mode='sdes'
    protocol='sdes' />

  key>sdes</key>
  </mediaSecPolicy>

...
...
...
realm-config
  identifier                peer
  description
  addr-prefix                192.168.0.0/16
  network-interfaces        M00:0
  mm-in-realm                enabled

```



```

mm-in-network          enabled
mm-same-ip            enabled
mm-in-system          enabled
bw-cac-non-mm         disabled
msm-release           disabled
qos-enable            disabled
generate-UDP-checksum disabled
max-bandwidth         0
fallback-bandwidth    0
max-priority-bandwidth 0
max-latency           0
max-jitter            0
max-packet-loss       0
observ-window-size    0
parent-realm
dns-realm
media-policy
media-sec-policy      msp2
in-translationid
...
...
...
last-modified-by      admin@console
last-modified-date    2009-11-10 15:38:19

```

## Back-to-Back SRTP Termination Configuration

```

ORACLE# show running-config
...
...
...
sdes-profile
  name                sdes1
  crypto-list         AES_CM_128_HMAC_SHA1_80
  srtp-auth           enabled
  srtp-encrypt        enabled
  srtcp-encrypt       enabled
  mki                 disabled
  key
  salt
  last-modified-by    admin@console
  last-modified-date  2009-11-16 15:37:13
media-sec-policy
  name                msp2
  pass-through        disabled
  inbound
    profile           sdes1
  mode                srtp
  protocol            sdes
  outbound
    profile           sdes1
  mode                srtp
  protocol            sdes
  last-modified-by    admin@console

```

```

        last-modified-date          2009-11-16 15:37:51
    ...
    ...
    ...
realm-config
  identifier                       peer
  description
  addr-prefix                       192.168.0.0/16
  network-interfaces      M00:0
  mm-in-realm      enabled
  mm-in-network      enabled
  mm-same-ip      enabled
  mm-in-system      enabled
  bw-cac-non-mm      disabled
  msm-release      disabled
  qos-enable      disabled
  generate-UDP-checksum      disabled
  max-bandwidth      0
  fallback-bandwidth      0
  max-priority-bandwidth      0
  max-latency      0
  max-jitter      0
  max-packet-loss      0
  observ-window-size      0
  parent-realm
  dns-realm
  media-policy
  media-sec-policy      msp2
  in-translationid
  ...
  ...
  ...
realm-config
  identifier                       backOffice
  description
  addr-prefix                       172.16.0.0/16
  network-interfaces      M10:0
  mm-in-realm      enabled
  mm-in-network      enabled
  mm-same-ip      enabled
  mm-in-system      enabled
  bw-cac-non-mm      disabled
  msm-release      disabled
  qos-enable      disabled
  generate-UDP-checksum      disabled
  max-bandwidth      0
  fallback-bandwidth      0
  max-priority-bandwidth      0
  max-latency      0
  max-jitter      0
  max-packet-loss      0
  observ-window-size      0
  parent-realm
  dns-realm
  media-policy

```

```

media-sec-policy          msp2
in-translationid
...
...
...
last-modified-by         admin@console
last-modified-date       2009-11-10 15:38:19

```

## SRTP Pass-Thru Configuration

```

ORACLE# show running-config
...
...
...
sdes-profile
  name                    sdes1
  crypto-list             AES_CM_128_HMAC_SHA1_80
  srtp-auth               enabled
  srtp-encrypt            enabled
  srtcp-encrypt           enabled
  mki                     disabled
  key
  salt
  last-modified-by        admin@console
  last-modified-date      2009-11-16 15:37:13
  media-sec-policy
  name                    msp2
  pass-through            enabled
  inbound
  profile                 sdes1
  mode                    srtp
  protocol                sdes
  outbound
  profile                 sdes1
  mode                    srtp
  protocol                sdes
  last-modified-by        admin@console
  last-modified-date      2009-11-16 15:37:51
  ...
  ...
  ...
realm-config
  identifier              peer
  description
  addr-prefix             192.168.0.0/16
  network-interfaces      M00:0
  mm-in-realm             enabled
  mm-in-network           enabled
  mm-same-ip              enabled
  mm-in-system            enabled
  bw-cac-non-mm           disabled
  msm-release             disabled
  qos-enable              disabled
  generate-UDP-checksum   disabled

```

```

max-bandwidth 0
fallback-bandwidth 0
max-priority-bandwidth 0
max-latency 0
max-jitter 0
max-packet-loss 0
observ-window-size 0
parent-realm
dns-realm
media-policy
media-sec-policy msp2
...
...
...
realm-config
  identifier core
  description
  addr-prefix 172.16.0.0/16
  network-interfaces M10:0
  mm-in-realm enabled
  mm-in-network enabled
  mm-same-ip enabled
  mm-in-system enabled
  bw-cac-non-mm disabled
  msm-release disabled
  qos-enable disabled
  generate-UDP-checksum disabled
  max-bandwidth 0
  fallback-bandwidth 0
  max-priority-bandwidth 0
  max-latency 0
  max-jitter 0
  max-packet-loss 0
  observ-window-size 0
  parent-realm
  dns-realm
  media-policy
  media-sec-policy msp2
  in-translationid
  ...
  ...
  ...
  last-modified-by admin@console
  last-modified-date 2009-11-10 15:38:19

```

## Security Policy

A Security Policy enables the Oracle® Enterprise Session Border Controller to identify inbound and outbound media streams that are treated as SRTP/SRTCP. The high-priority Security Policy, p1, (shown below) allows signaling traffic from source 172.16.1.3 to destination 172.16.1.10:5060. The lower-priority Security Policy, p2, (also shown below) matches media traffic with the same source and destination, but

without any specific ports. Consequently, SIP signaling traffic (from local port 5060) go through, but the media stream will be handled by appropriate SRTP SA.

```

security-policy
  name p1
  network-interface private:0
  priority 0
  local-ip-addr-match 172.16.1.3
  remote-ip-addr-match 172.16.1.10
  local-port-match 5060
  remote-port-match 0
  trans-protocol-match UDP
  direction both
  local-ip-mask 255.255.255.255
  remote-ip-mask 255.255.255.255
  action allow
  ike-sainfo-name
  outbound-sa-fine-grained-mask
    local-ip-mask 255.255.255.255
    remote-ip-mask 255.255.255.255
    local-port-mask 0
    remote-port-mask 0
    trans-protocol-mask 0
    valid enabled
    vlan-mask 0xFFF
  last-modified-by admin@console
  last-modified-date 2009-11-09 15:01:55

security-policy
  name p2
  network-interface private:0
  priority 10
  local-ip-addr-match 172.16.1.3
  remote-ip-addr-match 172.16.1.10
  local-port-match 0
  remote-port-match 0
  trans-protocol-match UDP
  direction both
  local-ip-mask 255.255.255.255
  remote-ip-mask 255.255.255.255
  action ipsec
  ike-sainfo-name
  outbound-sa-fine-grained-mask
    local-ip-mask 0.0.0.0
    remote-ip-mask 255.255.255.255
    local-port-mask 0
    remote-port-mask 65535
    trans-protocol-mask 255
    valid enabled
    vlan-mask 0xFFF
  last-modified-by admin@console
  last-modified-date 2009-11-09 15:38:19

```

## SRTP Re-keying

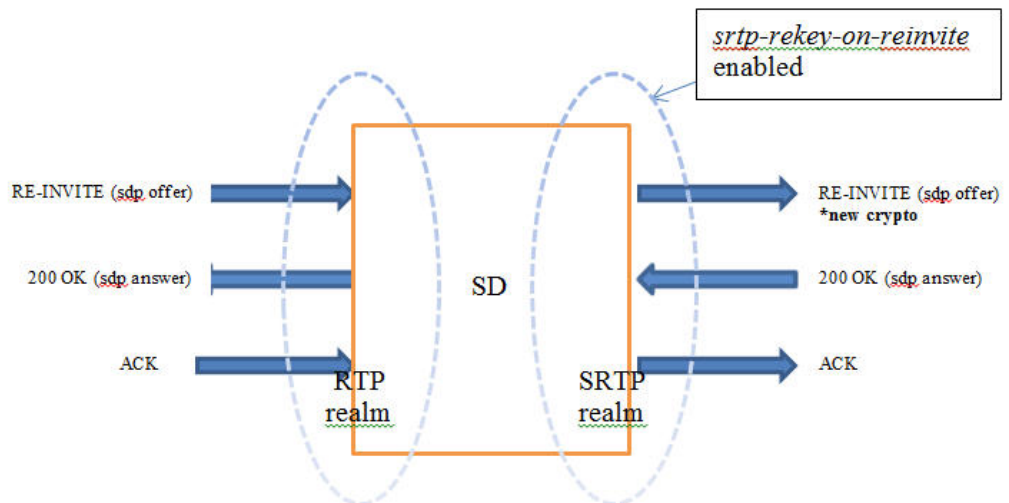
Initialization of SRTP re-keying is supported by the Oracle® Enterprise Session Border Controller.

The Oracle® Enterprise Session Border Controller can generate a new outbound crypto attribute in the SDP offer in a SIP re-INVITE when the **srtp-rekey-on-reinvite** parameter is set to **enabled**. The system generates the attribute regardless of the state of the flow, active or not.

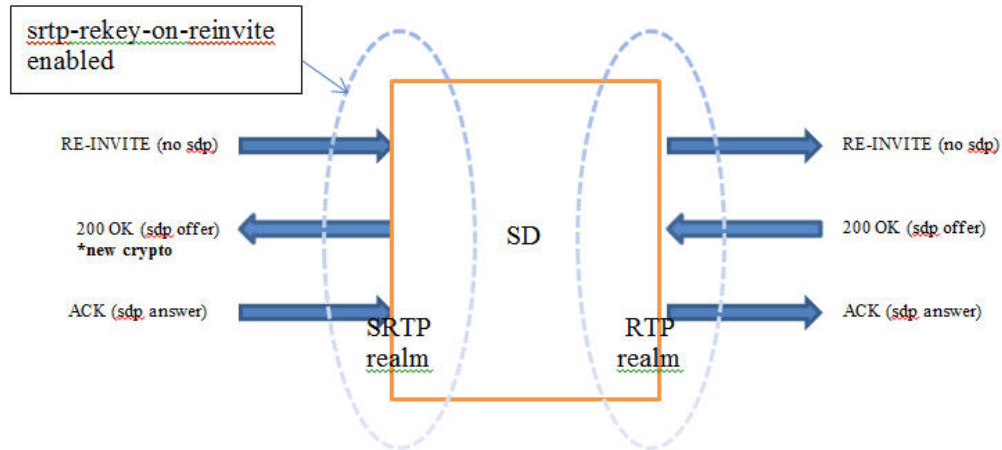
This capability is important for some clients that reside on the SRTP side in a single SRTP termination mode configuration. Any media changes that happen in the RTP side are hidden by the Oracle® Enterprise Session Border Controller. This concealment may cause issues in some configurations, where media servers are involved. When the media changes from media server to called phone, the SRTP endpoint is not aware the media source changed because the SDP offer from the Oracle® Enterprise Session Border Controller is the same as original invite. The result is that some devices drop packets because of Synchronization Source Identifier (SSRC) values mismatch, unexpected jumps in sequence number, sequence number reversions back to 1 triggering replay attack defense, and so forth. In certain environment it has been found that re-keying on every re-invite eliminates all these issues especially in customer setups that use Microsoft Lync products.

The processing of standard RE-INVITES (those containing an SDP offer) and offerless RE-INVITES is shown below.

With SDP:



No SDP:



If the re-invite message is a refresh and **srtp-rekey-on-reinvite** is enabled, the outbound crypto will change but the SDP version will not be incremented on the outgoing invite. If this scenario causes incompatibility issues with customer equipment then add the `unique-sdp-id` option to **media-manager, option** configuration so the Oracle® Enterprise Session Border Controller increments the SDP version in the outgoing invite.

## SRTP Re-keying Configuration

Configure **srtp-rekey-on-reinvite** to enable the negotiation and generation of new SRTP keys upon the receipt of a SIP RE-INVITE message that contains SDP.

Confirm that an **sdes-profile** exists.

In the following procedure, change the default state to enabled.

1. Access the **sdes-profile** configuration element.

```
ORACLE# configure terminal
ORACLE(configure)# security
ORACLE(security)# media-security
ORACLE(media-security)# sdes-profile
ORACLE(sdes-profile)#
```

2. Type **select** to choose and configure an existing object.

```
ORACLE(sdes-profile)# select
<name>:
1: name=sdesprofile01

selection: 1
ORACLE(sdes-profile)#
```

3. **srtp-rekey-on-reinvite**—Set this parameter to **enabled** for re-keying upon the receipt of an SIP reINVITE that contains SDP.
4. Type **done** to save your configuration.

## Modified ALCI Configuration Elements

The action parameter in security-policy configuration mode has been modified to accept additional values, `srtp` and `srtpc`.

- From superuser mode, use the following command sequence to access media-sec-policy configuration mode.

```
ORACLE# configure terminal
ORACLE(configure)# security
ORACLE(security)# ipsec
ORACLE(ipsec)# security-policy
ORACLE(security-policy)# action ?
<enumeration> action (default: ipsec)
ipsec, allow, discard, srtp, srtpc
ORACLE(security-policy)#
```

Refer to [Security Policy](#) for sample Security Policies.

The `show security` command has been updated with an `srtp` option.

```
ORACLE# show security srtp
sad
spd
statistics
SRTP Statistics
status
```

The `srtp` option is similar to the `ipsec` option save for the `sad` sub-option that provides data for only SRTP SAs.

The `show sa stats` command has been updated with an `srtp` option.

```
ORACLE# show sa stats <ENTER>      Show statistics summary of all
Security Associations
<ike>          Show statistics for IKE Security Associations
<ims-aka>     Show statistics for IMS-AKA Security Associations
<srtp>        Show statistics for SRTP Security Associations
sd# show sa stats srtp
20:06:24-114
SA Statistics
```

	---- Lifetime ----		
	Recent	Total	PerMax
SRTP Statistics			
ADD-SA Req Rcvd	0	0	0
ADD-SA Success Resp Sent	0	0	0
ADD-SA Fail Resp Sent	0	0	0
DEL-SA Req Rcvd	0	0	0
DEL-SA Success Resp Sent	0	0	0
DEL-SA Fail Resp Sent	0	0	0



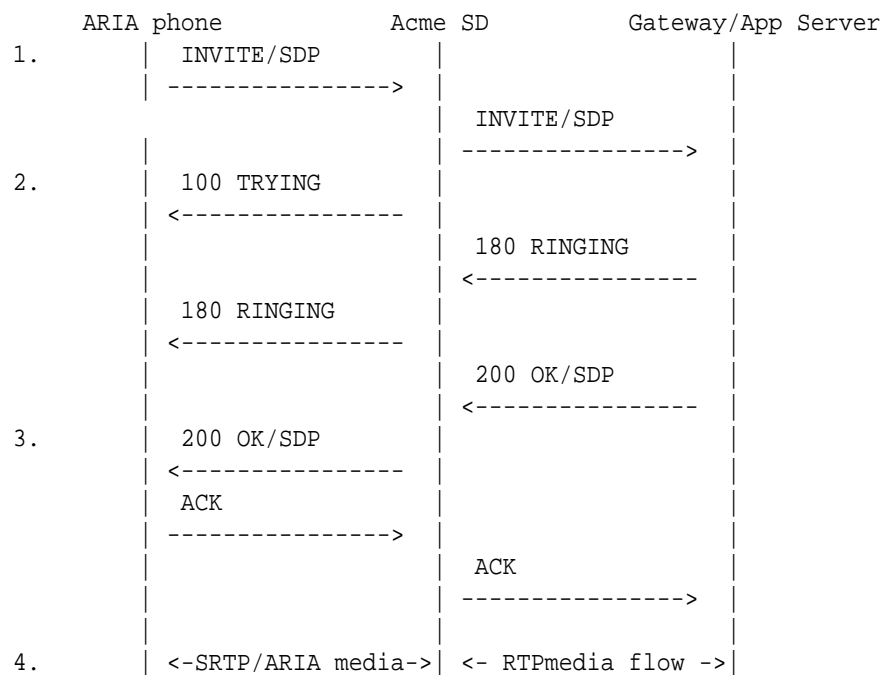
## ARIA Cipher Support

Previous and the current Oracle® Enterprise Session Border Controller releases have provided support for the Secure Real-Time Transport Protocol (SRTP), as defined in RFC 3711, to encrypt and authenticate Real-Time Transport Protocol (RTP) and Real-Time Transport Control Protocol (RTCP) media streams. Concurrent support for Session Description Protocol Security Descriptions (SDES) enabled the exchange of SRTP keying material. These releases have supported a single encryption algorithm, Advanced Encryption System (AES) counter mod with 128-bit keys

This release supports ARIA, a block cipher selected by the Korean Agency for Technology and Standards as a standard cryptographic Technique. The Oracle Oracle® Enterprise Session Border Controller now supports the ARIA cipher with a 192-bit key in counter mode for RTP and RTCP encryption; authentication is supported by HMAC\_SHA1 with either 32-bit or 80-bit keys.

## Call Flow

An example call flow between a ARIA endpoint, the OracleSD, and a Gateway/ Application Server illustrates a successful call establishment where the call is originated from an ARIA enabled phone and destined to a core network server.



1. The ARIA-enabled phone sends an INVITE request to the SD with the crypto attribute in the SDP specifying the ARIA 192 CM cipher for encryption and HMAC\_SHA1\_80 for authentication. The crypto attribute also has the master key encoded in base-64 format, as well the mki parameters (optionally). The SD forwards the INVITE to the called party via the gateway according to the media-security-policy on the outbound realm.
2. The SD sends provisional response to INVITE request

3. Assuming that the SD gets successful answer from called party, the SD sends a 200 OK response to the caller, with the crypto attribute in the accompanying SDP specifying the ARIA 192 CM cipher for encryption and HMAC\_SHA1\_80 for authentication. The crypto attribute also has the master key, as well the mki parameters (optionally).
4. The ARIA-enabled phone acknowledges the reception of 200 OK final response. At this point, encrypted SRTP traffic using the ARIA 192 counter mode cipher flows between the phone and the SD, and unencrypted traffic flows between the SD and the core network.

## ARIA Support Configuration

ARIA support is enabled at the sdes-profile level.

1. Use the following command sequence to move to **sdes-profile** Configuration Mode.

```
ORACLE# configure terminal
ORACLE(configure)# security
ORACLE(security)# media-security
ORACLE(sdes-profile)#
```

2. Use the **crypto-list** parameter to specify the crypto suite used for SDES-based encryption.

Use either `aria_cm_192_hmac_32`, or `aria_cm_192_hmac_32` to specify ARIA encryption.

```
ORACLE(sdes-profile)# crypto-list aria_cm_192_hmac_80
ORACLE(sdes-profile)#
```

3. Use **done**, **exit**, and **verify-config** to complete cipher suite selection.

## Secure and Non-Secure Flows in the Same Realm

To simplify deployments, the E-SBC allows secure and non-secure flows in the same realm. This broadened set of capabilities means the E-SBC can support RTP and SRTP flows, and it can support a larger group of UAs that might have varying SRTP abilities. Prior to this release, when a cryptographic session arrived at the E-SBC and failed to match an applicable media security profile, it was rejected.

This broadened support for secure and non-secure flows and for UAs with various SRTP abilities is established throughout the OS, residing in these configurations:

- `media-sec-policy`
- `sdes-profile`

While configurations reside there, you should also note special considerations for the **security-policy** configuration and implications for security associations.

## Mode Settings in the Media Security Policy

The media security policy configuration's **mode** parameter offers three settings. It is the **any** mode that allows you to support secure and non-secure flows in the same realm.

### For Incoming Flows

This section describes the way all three settings behavior for incoming flows.

- **rtp**—If the incoming media security policy associated with a realm has **rtp** set as its mode, then the E-SBC only accepts offer SDP containing RTP/AVP media lines. Otherwise, the E-SBC rejects the session with a 488 Not Acceptable Here.
- **srtp**—If the incoming media security policy associated with a realm has **srtp** set as its mode, the E-SBC only accepts offer SDP containing RTP/SAVP media lines. Otherwise, the E-SBC rejects the session with a 488 Not Acceptable Here.
- **any**—If the incoming media security policy associated with a realm has **any** set as its mode, the E-SBC accepts offer SDP that has RTP/AVP media lines, RTP/SAVP media lines, or both.

### For Outgoing Flows

This section describes the way all three settings behavior for outgoing flows.

- **rtp**—If the outgoing media security policy associated with a realm has **rtp** set as its mode, then the E-SBC converts any RTP/SAVP media lines from incoming offer SDP to RTP/AVP for the offer SDP it sends out. Incoming offer SDP might look like this:

```
v=0
o=MxSIP 0 1480968866 IN IP4 192.168.22.180
s=SIP Call
c=IN IP4 192.168.22.180
t=0 0
m=audio 5010 RTP/SAVP 0 8 18 0 101
a=rtpmap:0 PCMU/8000
a=rtpmap:8 PCMA/8000
a=rtpmap:18 G729/8000
a=rtpmap:0 PCMU/8000
a=rtpmap:101 telephone-event/8000
a=silenceSupp:off - - -
a=fmtp:18 annexb=no
a=fmtp:101 0-15
a=crypto:0 AES_CM_128_HMAC_SHA1_80
inline:f0oLKTuMYwXqrKa7Ch+MOBvLe8YnXnD6Kmnj4LQ2
```

The E-SBC will take that and convert it to the following for outgoing traffic.

```
v=0
o=MxSIP 0 1480968866 IN IP4 172.16.22.180
s=SIP Call
c=IN IP4 172.16.22.180
```

```

t=0 0
m=audio 6000 RTP/AVP 0 8 18 0 101
a=rtpmap:0 PCMU/8000
a=rtpmap:8 PCMA/8000
a=rtpmap:18 G729/8000
a=rtpmap:0 PCMU/8000
a=rtpmap:101 telephone-event/8000
a=silenceSupp:off - - - -
a=fmtp:18 annexb=no
a=fmtp:101 0-1

```

This conversion can result in multiple media lines with RTP/AVP for the same media profile and an RTP/SAVP media line for the same media profile. To prevent duplicate lines in the SDP the E-SBC sends, the E-SBC inspects incoming SDP to determine if RTP/AVP and RTP/SAVP media lines exist for the same media profile. If it finds such a media profile, the E-SBC disables the RTP/AVP (by setting the port to 0 in the outgoing offer SDP) corresponding to the RTP/AVP media line for that media profile. Doing so forces the UA answering the SDP offer to choose the media lines corresponding to the RTP/SAVP media lines in the incoming offer SDP. An SRTP-RTP session results.

The incoming offer SDP might look like this:

```

v=0
o=MxSIP 0 1480968866 IN IP4 192.168.22.180
s=SIP Call
c=IN IP4 192.168.22.180
t=0 0
m=audio 5012 RTP/AVP 0 8 18 0 101
a=rtpmap:0 PCMU/8000
a=rtpmap:8 PCMA/8000
a=rtpmap:18 G729/8000
a=rtpmap:0 PCMU/8000
a=rtpmap:101 telephone-event/8000
a=silenceSupp:off - - - -
a=fmtp:18 annexb=no
a=fmtp:101 0-15
m=audio 5010 RTP/SAVP 0 8 18 0 101
a=rtpmap:0 PCMU/8000
a=rtpmap:8 PCMA/8000
a=rtpmap:18 G729/8000
a=rtpmap:0 PCMU/8000
a=rtpmap:101 telephone-event/8000
a=silenceSupp:off - - - -
a=fmtp:18 annexb=no
a=fmtp:101 0-15
a=crypto:0 AES_CM_128_HMAC_SHA1_80
inline:f0oLKTuMYwXqrKa7Ch+MOBvLe8YnXnD6Kmnj4LQ2

```

And the outgoing offer SDP will look like this:

```

v=0
o=MxSIP 0 1480968866 IN IP4 172.16.22.180
s=SIP Call

```

```

c=IN IP4 172.16.22.180
t=0 0
m=audio 0 RTP/AVP 0 8 18 0 101
a=rtpmap:0 PCMU/8000
a=rtpmap:8 PCMA/8000
a=rtpmap:18 G729/8000
a=rtpmap:0 PCMU/8000
a=rtpmap:101 telephone-event/8000
a=silenceSupp:off - - - -
a=fmtp:18 annexb=no
a=fmtp:101 0-15
m=audio 6002 RTP/AVP 0 8 18 0 101
a=rtpmap:0 PCMU/8000
a=rtpmap:8 PCMA/8000
a=rtpmap:18 G729/8000
a=rtpmap:0 PCMU/8000
a=rtpmap:101 telephone-event/8000
a=silenceSupp:off - - - -
a=fmtp:18 annexb=no
a=fmtp:101 0-15

```

- **srtp**—If the outgoing media security policy associated with a realm has **srtp** set as its mode, the E-SBC converts any RTP/AVP media lines from an incoming offer SDP to RTP/SAVP for the offer SDP the E-SBC sends. The incoming offer SDP might look like this:

```

v=0
o=MxSIP 0 1480968866 IN IP4 192.168.22.180
s=SIP Call
c=IN IP4 192.168.22.180
t=0 0
m=audio 5012 RTP/AVP 0 8 18 0 101
a=rtpmap:0 PCMU/8000
a=rtpmap:8 PCMA/8000
a=rtpmap:18 G729/8000
a=rtpmap:0 PCMU/8000
a=rtpmap:101 telephone-event/8000
a=silenceSupp:off - - - -
a=fmtp:18 annexb=no
a=fmtp:101 0-15

```

And the outgoing offer SDP will look like this:

```

v=0
o=MxSIP 0 1480968866 IN IP4 172.16.22.180
s=SIP Call
c=IN IP4 172.16.22.180
t=0 0
m=audio 6000 RTP/SAVP 0 8 18 0 101
a=rtpmap:0 PCMU/8000
a=rtpmap:8 PCMA/8000
a=rtpmap:18 G729/8000
a=rtpmap:0 PCMU/8000
a=rtpmap:101 telephone-event/8000

```

```

a=silenceSupp:off - - - -
a=fmtp:18 annexb=no
a=fmtp:101 0-1
a=crypto:0 AES_CM_128_HMAC_SHA1_80
inline:f0oLKTuMYwXqrKa7Ch+MOBvLe8YnXnD6Kmnj4LQ2

```

This conversion might result in multiple media lines with RTP/SAVP for the same media profile if the incoming offer SDP has an RTP/AVP media line and an RTP/SAVP media for the same media profile. To prevent multiple identical media lines in the SDP it sends, the E-SBC inspects the incoming SDP to determine whether both RTP/AVP and RTP/SAVP media lines exist for the same media profile. If it finds such a media profile, the E-SBC disables the RTP/SAVP (by setting the port to 0 in the outgoing offer SDP) corresponding to the RTP/AVP media line for that media profile. Doing so forces the UA answering the SDP offer to choose the media lines corresponding to the RTP/SAVP media lines in the incoming offer SDP. An SRTP-SRTP session results.

The incoming offer SDP might look like this:

```

v=0
o=MxSIP 0 1480968866 IN IP4 192.168.22.180
s=SIP Call
c=IN IP4 192.168.22.180
t=0 0
m=audio 5012 RTP/AVP 0 8 18 0 101
a=rtpmap:0 PCMU/8000
a=rtpmap:8 PCMA/8000
a=rtpmap:18 G729/8000
a=rtpmap:0 PCMU/8000
a=rtpmap:101 telephone-event/8000
a=silenceSupp:off - - - -
a=fmtp:18 annexb=no
a=fmtp:101 0-15
m=audio 5010 RTP/SAVP 0 8 18 0 101
a=rtpmap:0 PCMU/8000
a=rtpmap:8 PCMA/8000
a=rtpmap:18 G729/8000
a=rtpmap:0 PCMU/8000
a=rtpmap:101 telephone-event/8000
a=silenceSupp:off - - - -
a=fmtp:18 annexb=no
a=fmtp:101 0-15
a=crypto:0 AES_CM_128_HMAC_SHA1_80
inline:f0oLKTuMYwXqrKa7Ch+MOBvLe8YnXnD6Kmnj4LQ2

```

And the outgoing offer SDP will look like this:

```

v=0
o=MxSIP 0 1480968866 IN IP4 172.16.22.180
s=SIP Call
c=IN IP4 172.16.22.180
t=0 0
m=audio 0 RTP/SAVP 0 8 18 0 101
a=rtpmap:0 PCMU/8000

```

```

a=rtpmap:8 PCMA/8000
a=rtpmap:18 G729/8000
a=rtpmap:0 PCMU/8000
a=rtpmap:101 telephone-event/8000
a=silenceSupp:off - - -
a=fmtp:18 annexb=no
a=fmtp:101 0-15
m=audio 6002 RTP/SAVP 0 8 18 0 101
a=rtpmap:0 PCMU/8000
a=rtpmap:8 PCMA/8000
a=rtpmap:18 G729/8000
a=rtpmap:0 PCMU/8000
a=rtpmap:101 telephone-event/8000
a=silenceSupp:off - - -
a=fmtp:18 annexb=no
a=fmtp:101 0-1
a=crypto:0 AES_CM_128_HMAC_SHA1_80
inline:f0oLKTuMYwXqrKa7Ch+MOBvLe8YnXnD6Kmnj4LQ2

```

- **any**—If the outgoing media security policy associated with a realm has **any** set as its mode, the E-SBC creates offer SDP based on the value configured in the **egress-offer-format**, which is set either in the **sdes-profile** configuration.
  - If the value is **same-as-ingress**, the E-SBC leaves the profile of the media lines unchanged.
  - If the value is **simultaneous-best-effort**, the E-SBC inspects the incoming offer SDP and:
    - \* Adds an RTP/SAVP media line for any media profile that has only the RTP/AVP media profile
    - \* Adds an RTP/AVP media line for any media profile that has only the RTP/SAVP media profile

Should the media profile in the incoming offer SDP already have two media lines (one for RTP/AVP and one for RTP/SAVP), the E-SBC does not have to make these additions. It will map the media lines in the answer it receives with the media lines from the incoming offer SDP. It will also ensure that media lines in the answer SDP it sends match the media lines from the incoming offer SDP.

## Using Security Associations for RTP and RTCP

With RTP and SRTP supported in the same realm, you want to configure your SRTP security policies to preserve system resources. You need to do to avoid session agent interaction that can have an adverse impact on the number of sessions.

To do so, check the **local-ip-match-address** for the STRP security policy has an IP address different from the all steering pool IP addresses for realms requiring both RTP and SRTP. The E-SBC recognizes this difference automatically and sets the connection address of media lines in SDP accordingly:

- The connection address for RTP media lines is the IP address of the applicable steering pool. The E-SBC passes through RTP and RTCP packets sent by and received from the steering pool IP address. This operation requires no reference to session agents because the steering pool address does not match the IP address for the SRTP security policy's **local-ip-address-match** value.

- The connection address of the SRTP media lines continues to be the **local-ip-address-match** value from the applicable SRTP security policy.

Since RTP and RTCP packets are sent to and from the steering pool's IP address (an IP address for which there is no SRTP security policy configured), there is no reason to reference session agents.

## ACLI Instructions and Examples

This section shows you how to configure your E-SBC to support secure and non-secure flows in the same realm.

To configure a security policy to support secure and non-secure flows in the same realm:

1. In Superuser mode, type **configure terminal** and press Enter.

```
ORACLE# configure terminal  
ORACLE(configure)#
```

2. Type **security** and press Enter.

```
ORACLE(configure)# security  
ORACLE(security)#
```

3. Type **media-security** and press Enter.

```
ORACLE(security)# media-security  
ORACLE(media-security)#
```

4. Type **media-sec-policy** and press Enter. If you are editing a pre-existing configuration, you need to select it before you can make changes.

```
ORACLE(media-security)# media-sec-policy  
ORACLE(media-sec-policy)#
```

5. Type **inbound** to enter the setting for inbound flows.

```
ORACLE(media-sec-policy)# inbound  
ORACLE(inbound)#
```

6. **mode**—Enter the mode that you want to use for inbound flows. You can choose from **rtp**, **srtp**, and **any**. Refer to the For Incoming Flows (1082) section Mode Settings in the Media Security Policy (1082) description for details about each value.
7. **protocol**—Change this value to **none**. Use the **done** command to save your work, and exit the **inbound** configuration.
8. Type **outbound** to enter the setting for inbound flows.

```
ORACLE(media-sec-policy)# outbound  
ORACLE(outbound)#
```

9. **mode**—Enter the mode that you want to use for outbound flows. You can choose from **rtp**, **srtp**, and **any**. Refer to the For Outgoing Flows (1082) section Mode



Settings in the Media Security Policy (1082) description for details about each value.

10. **protocol**—Change this value from to **none**. Use the **done** command to save your work, and exit the **outbound** configuration.
11. Type **done** and continue.

## Egress Offer Format for SDES Profile Configuration

To set the egress offer format for an SDES profile configuration:

1. In Superuser mode, type **configure terminal** and press Enter.

```
ORACLE# configure terminal
ORACLE(configure)#
```

2. Type **security** and press Enter.

```
ORACLE(configure)# security
ORACLE(security)#
```

3. Type **media-security** and press Enter.

```
ORACLE(security)# media-security
ORACLE(media-security)#
```

4. Type **sdes-profile** and press Enter. If you are editing a pre-existing configuration, you need to select it before you can make changes.

```
ORACLE(media-security)# sdes-profile
ORACLE(sdes-profile)#
```

5. **egress-offer-format**—Choose an egress offer format for this profile to use when you set the outbound mode in the media security policy to any. You can select one of two values:
  - If the value is **same-as-ingress (default)**, the E-SBC leaves the profile of the media lines unchanged.
  - If the value is **simultaneous-best-effort**, the E-SBC inspects the incoming offer SDP and:
    - Adds an RTP/SAVP media line for any media profile that has only the RTP/AVP media profile
    - Adds an RTP/AVP media line for any media profile that has only the RTP/SAVP media profile
6. Type **done** to save your work and continue.

To set the egress offer format for an SDES profile configuration:

7. In Superuser mode, type **configure terminal** and press Enter.

```
ORACLE# configure terminal
ORACLE(configure)#
```

8. Type **security** and press Enter.

```
ORACLE(configure)# security
ORACLE(security)#
```

9. Type **media-security** and press Enter.

```
ORACLE(security)# media-security
ORACLE(media-security)#
```

10. **egress-offer-format**—Choose an egress offer format for this profile to use when you set the outbound mode in the media security policy to any. You can select one of two values:

- If the value is **same-as-ingress (default)**, the E-SBC leaves the profile of the media lines unchanged.
- If the value is **simultaneous-best-effort**, the E-SBC inspects the incoming offer SDP and:
  - Adds an RTP/SAVP media line for any media profile that has only the RTP/AVP media profile
  - Adds an RTP/AVP media line for any media profile that has only the RTP/SAVP media profile

11. Type **done** to save your work and continue.

## Supporting UAs with Different SRTP Capabilities

To support UAs with different levels of SRTP capabilities, the **use-ingress-session-params** parameter appears in the **sdes-profile** configuration. The values for this parameter allow the Oracle® Enterprise Session Border Controller to accept and (where applicable) mirror the UA's proposed cryptographic session parameters:

- **srtp-auth**—Decides whether or not authentication is performed in SRTP
- **srtp-encrypt**—Decides whether or not encryption is performed in SRTP
- **srtcp-encrypt**—Decides whether or not encryption is performed in SRTCP

Using these possible values, the Oracle® Enterprise Session Border Controller accepts the corresponding incoming session parameters.

## Receiving Offer SDP

When the Oracle® Enterprise Session Border Controller receives offer SDP with applicable session parameters, it uses the same session parameters in its answer SDP (if it can support the same). This is true even if the value for that session parameter differs from the available media security profile.

Consider this example: An SDES profile is applied for incoming direction for a media security policy configured with the **srtcp-encrypt** value set to **enabled**. With the **use-ingress-session-params** parameter set to **srtcp-encrypt** for the SDES profile, the Oracle® Enterprise Session Border Controller accepts the offer SDP and also sets UNENCRYPTED\_SRTCP for the cryptographic attributes in its answer SDP. When the call connects, the Oracle® Enterprise Session Border Controller does not encrypt or decrypt SRTCP packets. Without the SDES profile set this way, the Oracle®

Enterprise Session Border Controller would reject offer SDP if any of its cryptographic attributes showed UNENCRYPTED\_SRTCP in its session parameters list.

## Receiving Answer SDP

When the Oracle® Enterprise Session Border Controller receives answer SDP with the accepted session parameter, the value for the same session parameters that the Oracle® Enterprise Session Border Controller uses might or might not be the same as the incoming value. Configuration of the outbound media security profile controls the value used because the Oracle® Enterprise Session Border Controller makes offer SDP, which cannot be changed, with the session parameters based on the outgoing media security profile.

Consider this example: An SDES profile is applied for incoming direction for a media security policy configured with the **srtcp-encrypt** value set to **enabled**, so the cryptographic attributes in the SDP the Oracle® Enterprise Session Border Controller sends do not have the UNENCRYPTED\_SRTCP session parameters. If the UNENCRYPTED\_SRTCP appears in the corresponding answer SDP it receives, the Oracle® Enterprise Session Border Controller accepts it if the **srtcp-encrypt** value appears in the **use-ingress-session-params** parameter. But the Oracle® Enterprise Session Border Controller still performs SRTCP encryption. When the call connects, the Oracle® Enterprise Session Border Controller encrypts outgoing SRTCP packets but does not decrypt incoming SRTCP packets. So if the UA (receiving the Oracle® Enterprise Session Border Controller's offer SDP) does not support SRTCP decryption, it will likely reject the offer SDP.

## ACL I Instructions and Examples

To set the ingress session parameters for an SDES profile configuration:

1. In Superuser mode, type **configure terminal** and press Enter.

```
ORACLE# configure terminal  
ORACLE(configure)#
```

2. Type **security** and press Enter.

```
ORACLE(configure)# security  
ORACLE(security)#
```

3. Type **media-security** and press Enter.

```
ORACLE(security)# media-security  
ORACLE(media-security)#
```

4. Type **sdes-profile** and press Enter. If you are editing a pre-existing configuration, you need to select it before you can make changes.

```
ORACLE(media-security)# sdes-profile  
ORACLE(sdes-profile)#
```

5. **use-ingress-session-params**—Enter the list of values for which the Oracle® Enterprise Session Border Controller will accept and (where applicable) mirror the UA's proposed cryptographic session parameters:

- **srtp-auth**—Decides whether or not authentication is performed in SRTP
- **srtp-encrypt**—Decides whether or not encryption is performed in SRTP
- **srtcp-encrypt**—Decides whether or not encryption is performed in SRTCP

```
ORACLE(sdes-profile)# use-ingress-session-params srtp-auth srtp-encrypt srtcp-encrypt
```

6. Type **done** to save your work and continue.

## Refining Interoperability

To refine any remaining interoperability issues, you can use the options parameter in the **media-sec-policy** and **sdes-profile** configurations.

Common values to configure an option are **include-local-id** and **include-remote-id**.

- **include-local-id**—The Oracle® Enterprise Session Border Controller includes the IDi in the I\_MESSAGE and the IDr in the R\_MESSAGE. When used for the outbound direction of a media security policy, the IDi is included in the I\_MESSAGE the Oracle® Enterprise Session Border Controller sends. The content of the IDi is the value of the Contact header found in the INVITE message.
- **include-remote-id**—The system includes the IDr in the I\_MESSAGE.

## Refining Interoperability Configuration

You can configure these options for **media-sec-policy**, **sdes-profile**, and **mikey-profile** configurations. The following uses the **mikey-profile** to demonstrate how to enter them.

1. In Superuser mode, type **configure terminal** and press Enter.

```
ORACLE# configure terminal
ORACLE(configure)#
```

2. Type **security** and press Enter.

```
ORACLE(configure)# security
ORACLE(security)#
```

3. Type **media-security** and press Enter.

```
ORACLE(security)# media-security
ORACLE(media-security)#
```

4. Type **mikey-profile** and press Enter. If you are editing a pre-existing configuration, you need to select it before you can make changes.

```
ORACLE(media-security)# mikey-profile
ORACLE(mikey-profile)#
```

5. **options**—Your entry will look like this when you add both values:

```
ORACLE(mikey-profile)# options include-local-id, include-remote-id
```

**You can use the plus sign (+) and the minus sign (-) to add and remove values from the options list.**

To remove an value, your entry would look like this:

```
ORACLE(mikey-profile)# options -include-local-id
```

To add an value, your entry would look like this:

```
ORACLE(mikey-profile)# options +include-local-id
```

## Multi-system Selective SRTP Pass-through

Prior to Release S-CX6.3F1, Oracle® Enterprise Session Border Controller provided a single Secure Real-time Transport Protocol (SRTP) operational mode, referred to as SRTP Media Proxy Mode. In this original processing mode, each Oracle® Enterprise Session Border Controller in the SRTP media path served as a proxy for the media — always decrypting inbound traffic, and encrypting outbound traffic.

Release S-CX6.3F1 introduces support for a new, alternative processing mode, referred to as Multi-system Selective SRTP Pass-through Mode. In this new mode encryption and decryption of SRTP media is handled by the SRTP endpoints, the calling and called parties. Off-load of the processor-intensive encryption/decryption provides the Oracle® Enterprise Session Border Controller with the ability to handle a larger number of simultaneous SRTP sessions.

With Multi-system Selective SRTP Pass-through enabled, the Oracle® Enterprise Session Border Controller can be configured to selectively allow hair-pinned (spiral) SRTP packets to pass through the Oracle® Enterprise Session Border Controller without encryption or decryption.



**Note:**

hair-pinned calls are those calls where the calling and called parties are within the same realm and/or within the same sub-network.

## Constraints

Multi-system Selective SRTP Pass-through support has the following constraints:

1. The realm, or realms in which the calling and called parties are located are configured for Multi-system Selective SRTP Pass-through support.
2. The call session does not require SIP—INFO to RFC 2833 tone translation.
3. The call session does not require SDES and can be used for the exchange of SRTP keying material. Both the calling and called parties must support the same key exchange protocol.

4. Multi-system Selective SRTP Pass-through support should not be enabled in topologies where core-side application servers may change the c-line to inject a media server or some other media device in the media path. In such cases, SRTP should be terminated at the SD for each endpoint, so that the media server receives unencrypted media. In the other case, where the c-line is not subject to modification, Multi-system Selective SRTP Pass-through can be enabled.

If any of these conditions are not met, Multi-system Selective SRTP Pass-through processing cannot be provided, and the call is serviced as specified by SRTP Media Proxy Mode.

## Operational Overview

To set up Multi-system Selective SRTP Pass-through, the ingress and egress Oracle® Enterprise Session Border Controllers (which can, in fact, be a single Oracle® Enterprise Session Border Controller) exchange the SDES keying material that they receive from their respective endpoint so that the Oracle® Enterprise Session Border Controller peer can pass the material to its adjacent endpoint. The endpoint to endpoint exchange of keying material enables the endpoints themselves to generate encryption/decryption keys.

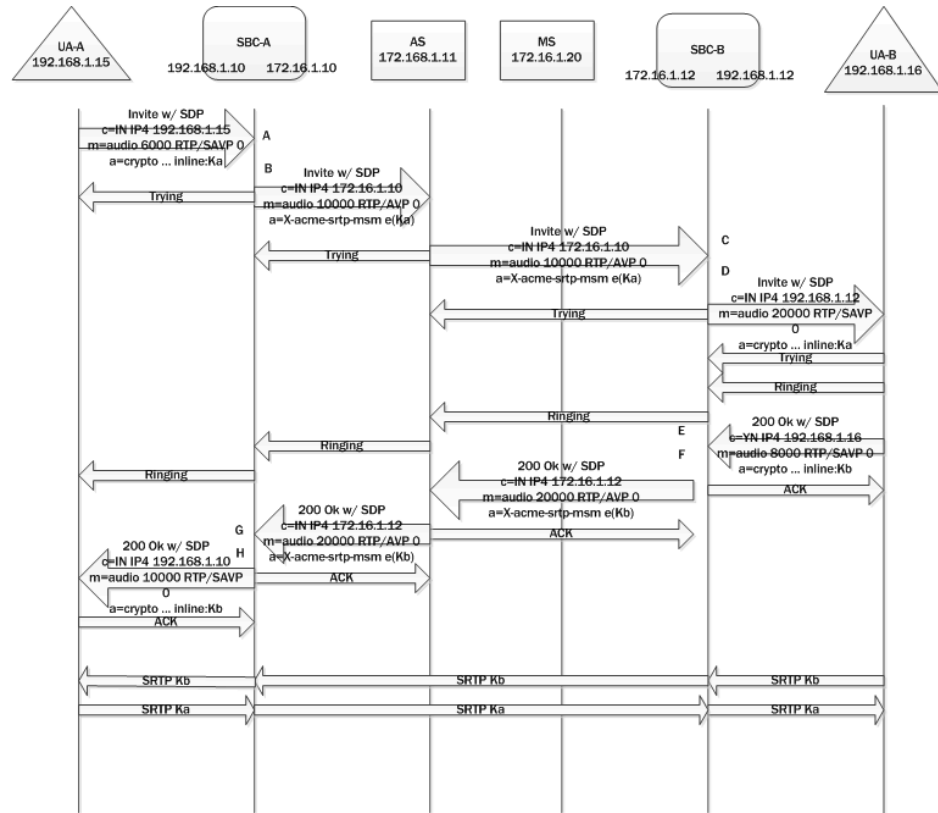
The actual exchange of keying material takes place in SIP messages (specifically, INVITE, 200 OK, and ACK) that carry offer or answer SDPs. Encrypted keying material is conveyed within a media attribute for each SRTP session. The name of the media attribute is configurable.

When either Oracle® Enterprise Session Border Controller receives the encrypted keying material sent by its remote peer, it decrypts the media attribute and passes the plaintext attribute to its endpoint. Consequently, subsequent SRTP packets from the endpoints pass through the Oracle® Enterprise Session Border Controllers without being decrypted and encrypted because both endpoints (now in possession of each others keying material) are able to decrypt the SRTP packets received from the other.

## Call Flows

The following three sections describe call signalling for common scenarios.

## Call Setup



192.168.1.15

A: The calling party sends an INVITE with SDP to SBC-A. The offer SDP contains an SDES crypto attribute within the SRTP media line.

B: Since Multi-system Selective SRTP Pass-through is enabled within the ingress realm, SBC-A adds an a=X-acme-srtp-msm media attribute. The a=X-acme-srtp-msm attribute contains a cookie that includes an encryption of the SDES crypto attribute present in the SDP. The encryption is done using the shared secret configured for encrypting SRTP Pass-through information.

C: SBC-B receives the offer SDP that has the cookie sent by SBC-A. It is assumed that the proxies that forward the offer SDP sent by SBC-A preserve and forward the cookie added by SBC-A.

D: SBC-B checks if the egress realm has Multi-system Selective SRTP Pass-through enabled. If so, SBC-B decrypts the cookie using the shared secret to retrieve the SDES crypto attribute. SBC-B adds the SDES crypto attribute retrieved from the cookie to the offer SDP sent to UA-B.

E: The called party sends an answer SDP with a SDES crypto attribute on the SRTP media line to SBC-B.

F: SBC-B checks if it has received a cookie in the offer SDP and adds the cookie to the answer SDP. The cookie contains an encryption of the SDES crypto attribute received in the answer SDP from UA-B. SBC-B does not install any SA or media policy

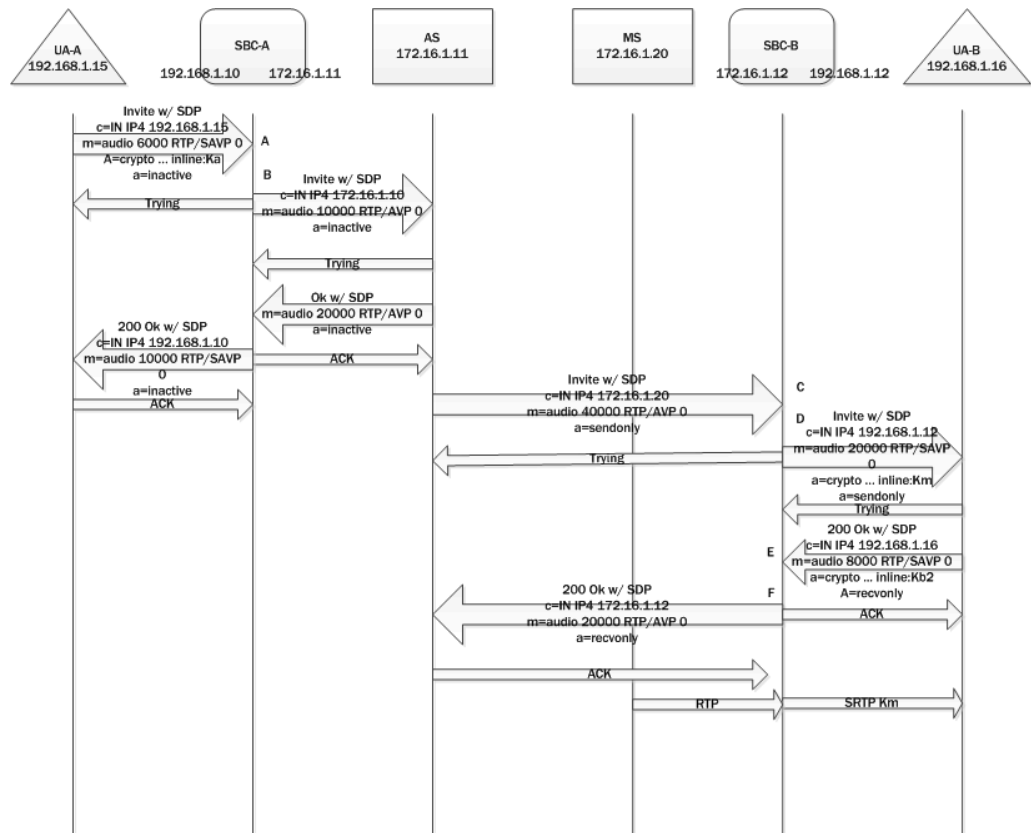
so that SRTP packets from/to UA-B can pass through SBC-B without any decryption/encryption.

G: SBC-A receives the answer SDP that has the cookie sent by SBC-B.

H: SBC-A decrypts the cookie using the shared secret to retrieve the SDES crypto attribute. SBC-A adds the SDES crypto attribute retrieved from the cookie to the answer SDP. SBC-A does not install any SA or media policy so that SRTP packets from/to UA-A can pass through SBC-A without any decryption/encryption.

## Music on Hold

After a call is established, one of the endpoints can put the other endpoint on hold. An application server might intercept the re-INVITE from one endpoint (for putting the other on hold) and implement MoH as follows.



A: Endpoint UA-A sends an offer SDP for hold to SBC-A.

B: SBC-A forwards offer SDP without any cookie since there will be no media going from/to UA-A.

C: SBC-B receives an offer SDP that is addressed to the MS without any cookie.

D: Because there is no cookie in the ingress offer SDP, SD-B generates its own SDES crypto attributes for the egress offer SDP sent to UA-B.

E: SBC-B receives an answer SDP from UA-B.

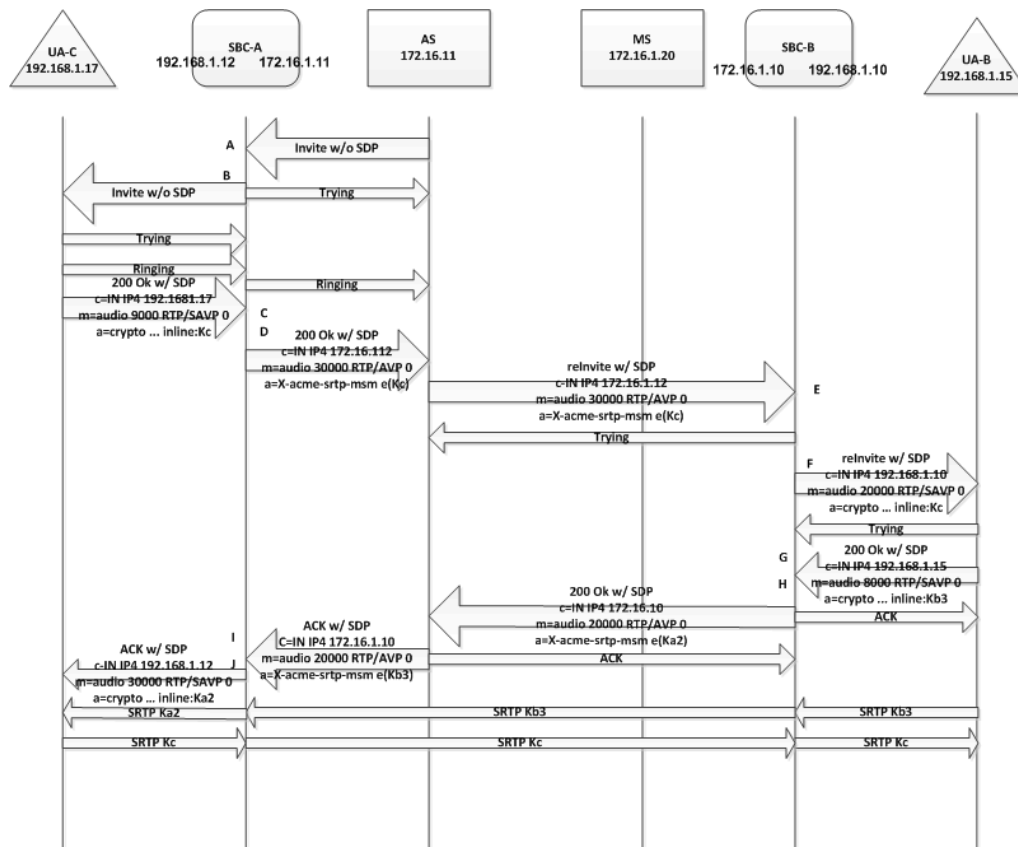
F: SBC-B sends its answer SDP without any cookie and encrypts SRTP packets going to UA-B. Note that there will be no SRTP packets going from UA-B to SBC-B.



As a result, MoH is heard by UA-B as it decrypts SRTP packets encrypted by SBC-B. When UA-A resumes, the steps to establish media between UA-A and UA-B will be the same as the steps used for call setup.

Once the media is reestablished between UA-A and UA-B media travelling between the two UAs will not be decrypted by either SBC.

## Call Transfer



A call transfer can also happen after a call is established. For example, endpoint UA-B can transfer UA-A to another endpoint, UA-C. UA-B can make a blind transfer or an attended transfer. The following diagram describes a blind call transfer with SRTP Pass-through enabled. Note it does not show the SIP message exchange between UA-B and the Application Server to facilitate the call transfer (i.e. the INVITE from UA-B to put the call on hold and the REFER/NOTIFY message exchange between UA-B and the Application Server). After UA-A is put on hold and the transfer target (that is, UA-C) is received from UA-B, the Application Server attempts to establish a call to UA-C. After the call to UA-C is established, the Application Server takes UA-A off hold and connects its media session to that of UA-C.

A: SBC-B receives an INVITE (from the Application Server to invite UA-C) without an offer SDP.

B: SBC-B sends an INVITE without an offer SDP to UA-C.

C: SBC-B receives a 200 OK response with an offer SDP that has a SDES crypto attribute on the SRTP media line from UA-C.

D: Since Multi-system Selective SRTP Pass-through is enabled within the ingress realm, SBC-B adds a cookie to the egress offer SDP that is sent to the core realm.

E: SBC-A receives a re-INVITE to UA-A with the offer SDP that has the cookie sent by SBC-B.

F: Since Multi-system Selective SRTP Pass-through is enabled within the ingress realm, SBC-A adds the SDES crypto attribute retrieved from the cookie to the offer SDP sent to UA-A.

G: SBC-A receives an answer SDP that has a SDES crypto attribute on the SRTP media line from UA-A.

H: SBC-A checks if it has a cookie in the offer SDP and adds the cookie to the answer SDP that is sent to the core realm. The cookie contains an encryption of the SDES crypto attribute received in the answer SDP from UA-B. SBC-A stops the encryption of any SRTP packets going to UA-B (set up for MoH) so that SRTP packets from/to UA-B can now pass through SBC-A without any decryption/encryption.

I: SBC-B receives the answer SDP that has the cookie sent by SBC-A.

H: SBC-B decrypts the cookie using the shared secret to retrieve the SDES crypto attribute. SBC-B adds the SDES crypto attribute retrieved from the cookie to the answer SDP.

After the call to UA-C is established and the call to UA-A is resumed (with the resulted media going between UA-A and UA-C) the Application Server disconnects the call with UA-A. Note that steps C-J are essentially the same steps as steps A-H in the Call Setup example. The difference is that the offer SDP from C comes to SD-B in a 200 OK response and the answer SDP sent by SBC-B to C is in the ACK.

## Early Media

Different application servers may implement early media in different ways. In general, the SBC supports early media in the following way.

If the SBC receives an SDP without any cookie in a provisional response, the SBC generates its own SRTP crypto context and exchanges it with the caller via the SDP included in the provisional response. The SBC continues to decrypt and encrypt early media packets going to and from the caller. The SBC stops decrypting and encrypting only if it receives a final response with an answer SDP that signals that SRTP Pass-through should be enabled.

## Multi-system Selective SRTP Pass-through with Media Release

When SRTP Pass-through is allowed, the hair-pinned media can also be released to the network if media release is configured — that is, if realm-config parameters **msm-release** is **enabled**, **mm-in-realm** is **disabled**, or **mm-in-network** is **disabled**. If SRTP Pass-through is not allowed, media release will not be allowed either.

## Multi-system Selective SRTP Pass-through Configuration

Use the following procedure to enable Multi-system Selective SRTP Pass-through within a specific realm.

1. Use the following command sequence to move to **realm-config** Configuration Mode.

```
ORACLE# configure terminal
ORACLE(configure)# media-manager
ORACLE(media-manager)# realm-config
ORACLE(realm-config)#
```

2. Use the **srtp-msm-passthrough** parameter to enable Multi-system Selective SRTP Pass-through within a specific realm.

By default, pass-through support is disabled.

```
ORACLE(realm-config)# srtp-msm-passthrough enabled
ORACLE(realm-config)#
```

3. Use **done**, **exit**, and **verify-config** to complete enabling Multi-system Selective SRTP Pass-through within the current realm.

**verify-config** checks that the **srtp-msm-password** parameter has been configured, and outputs an error if it has not been configured. **verify-config** also checks other configuration settings that conflict with Multi-system SRTP Pass-through operation. Among these possible mis-configurations are the following.

rfc2833-mode set to preferred on a SIP interface within a realm that has srtp-msm-passthrough enabled

rfc2833-mode set to preferred and app-protocol set to SIP on a session-agent within a realm that has srtp-msm-passthrough enabled.

4. If required, repeat Steps 1 through 3 to enable Multi-system Selective SRTP Pass-through on additional realms.

Use the following procedure to specify values needed to support the exchange of SDES keying information.

5. Use the following command sequence to move to **security** Configuration Mode.

```
ORACLE# configure terminal
ORACLE(configure)# security
ORACLE(security)#
```

6. Use the **srtp-msm-attr-name** parameter to specify the name of the media attribute used to convey SDES keying information within a SDP media description.

A valid attribute name must consist of characters from the US-ASCII subset of ISO-10646/UTF-8 as specified in RFC 2327, *SDP: Session Description Protocol*. IANA-registered names should not be used. Values should begin with an X-1 prefix to prevent collision with registered values.

In the absence of a specified attribute name, the SD provides a default value of X-acme-srtp-msm.

```
ORACLE(security)# srtp-msm-attr-name X-key-material
ORACLE(security)#
```

7. Use the **srtp-msm-password** parameter to provide the shared secret used to derive the key for encrypting SDES keying material that is placed in the media attribute of an SDP media description. Ingress keying material is encrypted using

this shared secret before being forwarded to the network core. On egress, the encrypted keying material is decrypted with this same key.

Allowable values are character strings that contain a minimum of 8 and a maximum of 16 characters.

```
ORACLE(security)# srtp-msm-password IsHeEleemosynary
ORACLE(security)#
```

8. Use **done**, **exit**, and **verify-config** to complete necessary configuration.

**verify-config** checks that the **srtp-msm-password** parameter has been configured, and outputs an error if it has not been configured. **verify-config** also checks other configuration settings that conflict with Multi-system SRTP Pass-through operation. Among these possible mis-configurations are the following.

rfc2833-mode set to preferred on a SIP interface within a realm that has srtp-msm-passthrough enabled

rfc2833-mode set to preferred and app-protocol set to SIP on a session-agent within a realm that has srtp-msm-passthrough enabled.

## Statistics

The number of media sessions set up with Multi-systems Selective SRTP Pass-through is tracked and included in the output of the **show mbc statistics** command.

## IDS Reporting

The Oracle® Enterprise Session Border Controller supports a wide range of intrusion detection and protection capabilities for vulnerability and attack profiles identified to date. The IDS reporting feature is useful for enterprise customers requirement to report on intrusions and suspicious behavior that it currently monitors.

## Basic Endpoint Demotion Behavior

Each session agent or endpoint is promoted or demoted among the trusted, untrusted, and denied queues depending on the **trust-level** parameter of the session agent or realm to which it belongs. Users can also configure access control rules to further classify signaling traffic so it can be promoted or demoted among trust queues as necessary.

An endpoint can be demoted in two cases:

1. Oracle® Enterprise Session Border Controller receiving too many signaling packets within the configured time window (**maximum signal threshold** in **realm config** or **access control**)
2. Oracle® Enterprise Session Border Controller receiving too many invalid signaling packets within the configured time window. (**invalid signal threshold** in **realm config** or **access control**)

## Endpoint Demotion Reporting

The Oracle® Enterprise Session Border Controller counts the number of endpoint or session agent promotions and demotions. Further, the Oracle® Enterprise Session

Border Controller counts when endpoints or session agents transition from trusted to untrusted and when endpoints transition from untrusted to denied queues. These counts are maintained for SIP signaling applications. They appear as the Trust->Untrust and Untrust->Deny rows in the **show sipd acIs** command.

## SNMP Reporting

These per-endpoint counters are available under APSYSMGMT-MIB -> acmepacketMgmt -> apSystemManagementModule -> apSysMgmtMIBObjects -> apSysMgmtMIBGeneralObjects.

MIB NAME	MIB OID	PURPOSE
apSysSipEndptDemTrustToUntrust	.1.3.6.1.4.1.9148.3.2.1.1.19	Global counter for SIP endpoint demotions from trusted to untrusted.
apSysSipEndptDemUntrustToDeny	.1.3.6.1.4.1.9148.3.2.1.1.20	Global counter for SIP endpoint demotions from untrusted to denied.

## HDR Reporting

The SIP (sip-ACL-oper) HDR ACL status collection groups include the following two metrics:

- Demote Trust-Untrust (Global counter of endpoint demotion from trusted to untrusted queue)
- Demote Untrust-Deny (Global counter of endpoint demotion from untrusted to denied queue)

## Endpoint Demotion SNMP Traps

An SNMP trap can be sent when the Oracle® Enterprise Session Border Controller demotes an endpoint to the denied queue. This is set by enabling the **trap on demote to deny** parameter located in the **media manager config** configuration element.

When the **trap on demote to deny** parameter is enabled, apSysMgmtInetAddrWithReasonDOSTrap trap is sent. This trap supersedes the apSysMgmtInetAddrDOSTrap trap.

When the **trap on demote to deny** parameter is disabled the apSysMgmtInetAddrWithReasonDOSTrap trap is not sent from the Oracle® Enterprise Session Border Controller, even when an endpoint is demoted to the denied queue.

This apSysMgmtInetAddrWithReasonDOSTrap contains the following data:

- apSysMgmtDOSInetAddressType—Blocked IP address family (IPv4 or IPv6)
- apSysMgmtDOSInetAddress—Blocked IP address
- apSysMgmtDOSRealmID—Blocked Realm ID
- apSysMgmtDOSFromURI—The FROM header of the message that caused the block (if available)
- apSysMgmtDOSReason—The reason for demoting the endpoint to the denied queue: This field can report the following three values:

- Too many errors
- Too many messages
- Too many admission control failures

 **Note:**

By default, this parameter is enabled for upgrade configurations, as the current behavior is to send a trap for every endpoint that is demoted to deny. However, for a new configuration created, the value to this configuration is disabled.

## Trusted to Untrusted Reporting

Endpoints, however, transition to an intermediate state, untrusted, prior to being denied service. The Oracle® Enterprise Session Border Controller provides an ACLI parameter, **trap-on-demote-to-untrusted**, that generates an SNMP trap when a previously trusted endpoint transitions to the untrusted state. Trap generation is disabled by default.

## SNMP Reporting

Endpoint state transitions continue to be tracked by two counters available under APSYSMGMT-MIB -> acmepacketMgmt -> apSystemManagementModule -> apSysMgmtMIBObjects -> apSysMgmtMIBGeneralObjects.

MIB NAME	MIB OID	PURPOSE
apSysSipEndptDemTrustToUn trust	.1.3.6.1.4.1.9148.3.2.1.1.19	Global counter for SIP endpoint demotions from trusted to untrusted.
apSysSipEndptDemUntrustTo Deny	.1.3.6.1.4.1.9148.3.2.1.1.20	Global counter for SIP endpoint demotions from untrusted to denied.

## Endpoint Demotion Trusted-to-Untrusted SNMP Trap

The system can generate an SNMP trap when an endpoint transitions from the trusted to the untrusted state. The trap is structured as follows.

```
apSysMgmtInetAddrTrustedToUntrustedDOSTrap NOTIFICATION-TYPE
OBJECTS { apSysMgmtDOSInetAddressType,
apSysMgmtDOSInetAddress,
apSysMgmtDOSRealmID,
apSysMgmtDOSFromUri,
apSysMgmtDOSReason }
STATUS current
DESCRIPTION
"This trap is generated when an IP is placed on a untrusted list from
trusted list, and provides the ip address that has been demoted, the
realm-id of that IP, (if available) the URI portion of the SIP From
```

```
header of the message that caused the demotion."  
 ::= { apSysMgmtDOSNotifications 5 }
```

The trap OID is 1.3.6.1.4.1.9148.3.2.8.0.5.

## Endpoint Demotion Syslog Message

A Syslog message can be generated when an endpoint is demoted. Setting the **media manager config, syslog-on-demote-to-deny** parameter to enabled writes and endpoint demotion warning to the syslog every time an endpoint is demoted to the denied queue. By default, this configuration option is set to disabled. The syslog message has a WARNING Level and looks like this:

```
Jan 15 12:22:48 172.30.60.12 ACMESYSTEM sipd[1c6e0b90] WARNING  
SigAddr[access:168.192.24.40:0=low:DENY] ttl=3632 guard=798 exp=30  
Demoted to Black-List (Too many admission control failures)
```

## Event Log Notification Demotion from Trusted to Untrusted

You can enable your Oracle® Enterprise Session Border Controller to provide event log notification (a syslog message) any time it demotes an endpoint from trusted to untrusted. The log message contains this data: IP address of the demoted endpoint, the endpoint's configured trust level, and the reason for demotion. This feature is enabled with the **syslog-on-demote-to-untrusted** parameter in the media manager.

## Endpoint Demotion Configuration

To configure the Oracle® Enterprise Session Border Controller to send traps and/or write syslog messages on endpoint demotion:

1. In Superuser mode, type **configure terminal** and press Enter.

```
ORACLE# configure terminal
```

2. Type **media-manager** and press Enter to access the media-level configuration elements.

```
ORACLE(configure)# media-manager  
ORACLE(media-manager)#
```

3. Type **media-manager** and press Enter.

```
ORACLE(media-manager)# media-manager  
ORACLE(media-manager-config)#
```

4. **trap-on-demote-to-deny**—Set this parameter to enabled for the Oracle® Enterprise Session Border Controller to send the apSysMgmtInetAddrWithReasonDOSTrap trap when applicable.
5. **syslog-on-demote-to-deny**—Set this parameter to enabled for the Oracle® Enterprise Session Border Controller to write an endpoint demotion warning message to the syslog.

6. **syslog-on-demote-to-untrusted**—Change this parameter from **disabled** (default), to **enabled** so the Oracle® Enterprise Session Border Controller will generate event notifications (syslog messages) when an endpoint becomes untrusted. For this capability to work, the IDS license must be installed on your system.
7. **trap-on-demote-to-untrusted**—Set this parameter to enabled for the Oracle® Enterprise Session Border Controller to send the `apSysMgmtInetAddrTrustedToUntrustedDOSTrap` when the endpoint identified within the trap transitions from the trusted to untrusted state.
8. Save your work.

## Endpoint Demotion due to CAC overage

The Oracle® Enterprise Session Border Controller can demote endpoints from trusted to untrusted queues when CAC failures exceed a configured threshold. The Oracle® Enterprise Session Border Controller can also demote endpoints from untrusted to denied queues when CAC failures exceed a another configured threshold.

The Oracle® Enterprise Session Border Controller maintains CAC failures per-endpoint. The CAC failure counter is incremented upon certain admission control failures only if either one of **cac-failure-threshold** or **untrust-cac-fail-threshold** is non-zero.

The **cac failure threshold** parameter is available in the access control and realm configuration elements. Exceeding this parameter demotes an endpoint from the trusted queue to the untrusted queue. The **untrust cac-failure-threshold** parameter is available in the access control and realm configuration elements. Exceeding this parameter demotes an endpoint from the untrusted queue to the denied queue.

If both the **cac failure threshold** and **untrusted cac failure threshold** are configured to 0, then admission control failures are considered and counted as invalid signaling messages for determining if the **invalid-signal-threshold** parameter value has been exceeded.

## CAC Attributes used for Endpoint Demotion

The Oracle® Enterprise Session Border Controller determines CAC failures only by considering the calling endpoint's signaling messages traversing the calling realms' configuration. If an endpoint exceeds the following CAC thresholds, the Oracle® Enterprise Session Border Controller will demote the endpoint when the CAC failure thresholds are enabled.

1. sip-interface user CAC sessions (**realm-config, user-cac-sessions**)
2. sip-interface user CAC bandwidth (**realm-config, user-cac-bandwidth**)
3. External policy server rejects a session

## Authentication Failures used for Endpoint Demotion

If an endpoint fails to authenticate with the Oracle® Enterprise Session Border Controller using SIP HTTP digest authentication OR endpoint fails authentication with an INVITE with authentication incase registration-caching is disabled, and receives back a 401 or 407 response from the registrar



When the Oracle® Enterprise Session Border Controller receives a 401 or 407 message from the registrar in response to one of the following conditions, the endpoint attempting authentication is demoted.

- endpoint fails to authenticate with the Oracle® Enterprise Session Border Controller using SIP HTTP digest authentication
- endpoint fails to authenticate with the Oracle® Enterprise Session Border Controller using INVITE message when registration-caching is disabled

## Endpoint Demotion Configuration on CAC Failures

To configure endpoint demotion on CAC failures:

1. In Superuser mode, type **configure terminal** and press Enter.

```
ORACLE# configure terminal  
ORACLE(configure)#
```

2. Type **session-router** and press Enter.

```
ORACLE(configure)# session-router  
ORACLE(session-router)#
```

3. Type **access-control** and press Enter.

```
ORACLE(session-router)# access-control  
ORACLE(access-control)#
```

If you are adding this feature to an existing configuration, then you will need to select the configuration you want to edit.

4. **cac-failure-threshold**—Enter the number of CAC failures for any single endpoint that will demote it from the trusted queue to the untrusted queue.
5. **untrust-cac-failure-threshold**—Enter the number of CAC failures for any single endpoint that will demote it from the untrusted queue to the denied queue.
6. Save your work.

## IDS Phase 2 (Advanced Reporting)

This feature supplements the IDS reporting and protection services. IDS Phase 2 provides enterprise users with additional tools to identify, monitor, and control suspicious, and possibly, malicious traffic patterns. IDS Phase 2 requires the IDS Advanced Reporting license.

### Rejected SIP Calls

IDS Phase 2 provides tools to monitor and record rejected SIP calls. A sudden or gradual increase in such calls can, but need not, indicate malicious intent.

IDS Phase 2 provides a global counter that increments with each SIP INVITE or REGISTER message that is rejected by the Acme Packet Oracle® Enterprise Session

Border Controller, and offers the option of generating a syslog message in response to call rejection.

## Rejected Calls Counter

The rejected calls counter is a 32-bit global counter that records the total number of rejected SIP calls. Such calls have been rejected by the Oracle® Enterprise Session Border Controller with the following response codes: 400, 403, 404, 405, 408, 413, 416, 417, 420, 423, 480, 481, 483, 484, 485, 488, 494, 500, 503, 505, and 604. These response codes may change with future software revisions.

The current value of the rejected calls counter is accessible via SNMP, Historical Data Recording (HDR), or the ACLI. This MIB table is apSysMgmtGeneralObjects Table (1.3.6.1.4.1.9148.3.2.1.1).

Object Name	Object OID	Description
apSysSipTotalCallsRejected	1.3.6.1.4.1.9148.3.2.1.1.25	Global counter for SIP calls that are rejected by the SBC

The sip-error HDR collection group contains a new reporting field, Call Rejects, which contains the value of the global rejected calls counter.

The ACLI command **show sipd errors** displays the contents of the rejected calls counter.

```
ORACLE# show sipd errors
12:29:13-131
SIP Errors/Events          ---- Lifetime ----
                          Recent      Total  PerMax
SDP Offer Errors          0         0      0
SDP Answer Errors         0         0      0
Drop Media Errors         0         0      0
Transaction Errors        0         0      0
Application Errors        0         0      0
Media Exp Events          0         0      0
Early Media Exps          0         0      0
Exp Media Drops           0         0      0
Expired Sessions          0         0      0
Multiple OK Drops         0         0      0
Multiple OK Terms         0         0      0
Media Failure Drops       0         0      0
Non-ACK 2xx Drops         0         0      0
Invalid Requests          0         5      2
Invalid Responses         0         0      0
Invalid Messages          0         0      0
CAC Session Drop          0         0      0
Nsep User Exceeded        0         0      0
Nsep SA Exceeded          0         0      0
CAC BW Drop               0         0      0
Calls Rejected            0         0      0 <--
```

## Syslog Reporting of Rejected Calls

Users can choose to send a syslog message in response to the rejection of a SIP call. In the default state, rejected calls are not reported to syslog.

Use the following ACLI command sequence to enable syslog reporting of rejected SIP calls.

```
ORACLE# configure terminal
ORACLE(configure)# media-manager
ORACLE(media-manager)# media-manager
ORACLE(media-manager-config)# syslog-on-call-reject enable
```

The `syslog-on-call-reject` attribute, which is disabled by default, enables the generation of a syslog message in response to the rejection of a SIP call.

Use **done**, **exit**, and **verify-config** to complete this configuration.

Syslog messages issued in response to call rejection contain the following call-related information.

- SIP status code indicating rejection cause
- SIP method name (INVITE or REGISTER)
- Reason for denial
- Realm of calling endpoint
- Applicable local response map
- Content of Reason header (if present)
- From URI of calling endpoint
- Target URI of called endpoint
- Source and Destination IP address and port
- Transport type

The following are sample syslog messages issued in response to call rejections.

```
Dec 8 06:05:42 172.30.70.119 deimos sipd[205bfee4] ERROR [IDS_LOG]INVITE
from source 172.16.18.100:5060 to dest 172.16.101.13:5060[UDP]
realm=net172; From=sipp <sip:sipp@172.16.18.100:5060>;tag=13890SIPpTag001;
target=sip:service@172.16.101.13:5060 rejected!; status=483 (Too Many Hops)
```

```
Dec 10 15:09:28 172.30.70.119 deimos sipd[2065ace8] ERROR
[IDS_LOG]INVITE from source 172.16.18.5:5060 to dest 172.16.101.13:5060[UDP]
realm=net172; From=sipp <sip:sipp@172.16.18.5:5060>;tag=10015SIPpTag001;
target=sip:service@172.16.101.13:5060 rejected!; status=488 (sdp-address-
mismatch); error=sdp address mismatch
```

IDS syslog messages that report rejected calls and those that report endpoint demotions now contain a string `IDS_LOG`, to facilitate their identification as IDS-related messages. With IDS Phase 2, IDS messages reporting either endpoint demotions or call rejections can be sent to specific, previously-configured syslog servers.

In topologies that include multiple syslog servers, use the following procedure to enable delivery of IDS-related messages to one or more specific syslog servers.

1. Use the following command sequence to move to **syslog-config** Configuration Mode.

```
ORACLE# configure terminal
ORACLE(configure)# system
ORACLE(system)# system-config
ORACLE(system-config)# syslog-servers
ORACLE(syslog-config)#
```

2. From the existing pool of syslog servers select the server or servers that will receive syslog messages.
3. Ensure that all selected servers are configured with the same value for the **facility** attribute.

Allowable values are integers within the range 0 through 23.

4. Use the following command sequence to move to **system-config** Configuration Mode.

```
ORACLE(syslog-config)# done
ORACLE(syslog-config)# exit
ORACLE(system-config)#
```

5. Use the **ids-syslog-facility** attribute to enable message transfer to specific syslog servers.

The default value, -1, disables selective message transfer. To enable transfer to a designated syslog server or servers, enter the facility value (an integer within the range 0 through 23) that you confirmed or set in Step 3.

The following example enables the transfer of IDS syslog messages to all servers with a facility value of 16.

```
ORACLE(system-config)# ids-syslog-facility 16
ORACLE(system-config)#
```

6. Use **done**, **exit**, and **verify-config** to complete this configuration.

## TCA Reporting of Denied Entries

You can construct a Threshold Crossing Alarm (TCA), which issues minor, major, and critical system alarms when the count of denied entries exceeds pre-configured values. For each issued alarm, the TCA also transmits an SNMP trap that reports the alarm state to remote SNMP agents.

After issuing a system alarm and accompanying SNMP trap, the TCA continues to monitor the number of denied entries. If the number of denied entries rises to the next threshold value, a new, and more severe, system alarm/SNMP trap is generated. If the number of denied entries falls below the current threshold level, and remains there for a period of at least 10 seconds, a new, and less severe system alarm/SNMP trap is generated.

1. Use the following command sequence to move to **media-manager-config** Configuration Mode.

```
ORACLE# configure terminal
ORACLE(configure)# system
ORACLE(system)# system-config
ORACLE(system-config)# alarm-threshold
ORACLE(alarm-threshold)#
```

2. Use the **type** attribute to specify the TCS type (**deny-allocation** for denied entries TCAs), the **severity** attribute to specify the criticality of the alarm, and the **value** attribute to specify the alarm threshold.

The following ACLI sequence defines the minor, major, and critical alarm thresholds. Note that you do not need to configure all three thresholds. Given the static deny allocation value of 32000, you can determine what the percentage value maps to.

```
ORACLE(alarm-threshold)# type deny-allocation
ORACLE(alarm-threshold)# severity minor
ORACLE(alarm-threshold)# value 80
ORACLE(alarm-threshold)# done
ORACLE(alarm-threshold)# type deny-allocation
ORACLE(alarm-threshold)# severity major
ORACLE(alarm-threshold)# value 90
ORACLE(alarm-threshold)# done
ORACLE(alarm-threshold)# type deny-allocation
ORACLE(alarm-threshold)# severity critical
ORACLE(alarm-threshold)# value 95
ORACLE(alarm-threshold)# done
```

3. Use **exit** and **verify-config** to complete the configuration.

## Syslog Reporting of Denied Entries

Syslog reporting of endpoint demotions was introduced as part of IDS Phase 1 in S-C6.2.0. With IDS Phase 2, such syslog messages contain the last SIP message from the endpoint that caused the transition to the denied state. If the included SIP message increases the length of the syslog beyond 1024 bytes, the SIP message is truncated so that the syslog is no larger than 1024 bytes.

## CPU Load Limiting

The transmission of IDS-related system alarms and SNMP traps is disabled when the CPU utilization rate surpasses a configured threshold percentage, reducing system resource utilization. When the threshold is exceeded, a syslog message (MINOR level) announces the termination of IDS reporting. No additional syslog messages or SNMP traps are generated until the CPU utilization rate falls below the configured threshold. The resumption of IDS reporting is announced by another syslog message, also issued at the MINOR level.

The system manages percent CPU utilization as follows:

- Begins rejecting SIP requests when the CPU reaches its throttling threshold, and

- Rejects all SIP requests, as well as stops sending IDS-related system alarms and SNMP traps, when the CPU reaches its maximum.

See the *SMP-Aware Task Load Limiting* section in the *Oracle® Communications Session Border Controller Maintenance and Troubleshooting Guide* for information on how this works and how the user can configure the CPU throttling threshold and maximum CPU utilization.

## Denied Endpoints

IDS Phase 2 provides a denied endpoint counter that includes SIP endpoints. The global counter value is available via SNMP or HDR.

The global counter value is available to SNMP under APSYSMGMT-MIB, acmepacketMgmt, apSystemManagementModule, apSysMgmtMIBObjects, apSysMgmtMIBGeneralObjects. This MIB is apSysMgmtGeneralObjects Table (1.3.6.1.4.1.9148.3.2.1.1).

Object Name	Object OID	Description
apSysCurrentEndptsDenied	1.3.6.1.4.1.9148.3.2.1.1.26	Global counter for current endpoints denied

The system HDR collection group contains a new reporting field, Current Deny Entries Allocated, which contains the value of the global endpoints denied counter.

## Maintenance and Troubleshooting

### show sipd acls

The **show sipd acls** command includes counters that track the number of endpoints demoted from trusted to untrusted and the number of endpoints demoted from untrusted to denied. For example:

```
ORACLE# show sipd acls
...
ACL Operations          ---- Lifetime ----
                        Recent      Total  PerMax
...
Trust->Untrust         0          1      1
Untrust->Deny          0          1      1
```

# Transcoding

Transcoding is the ability to convert between media streams that are based upon disparate codecs. The Oracle® Enterprise Session Border Controller supports IP-to-IP transcoding for SIP sessions, and can connect two voice streams that use different coding algorithms with one another.

This ability allows providers to:

- Handle the complexity of network connections and the range of media codecs with great flexibility
- Optimize bandwidth availability by enforcing the use of different compression codecs
- Normalize traffic in the core network to a single codec
- Enact interconnection agreements between peer VoIP networks to use approved codecs

By providing transcoding capabilities at the network edge rather than employing core network resources for the same functions, the Oracle® Enterprise Session Border Controller provides cost savings. It also provides a greater degree of flexibility and control over the codec(s) used in providers' networks and the network with which they interconnect.

In addition, placing the transcoding function in the Oracle® Enterprise Session Border Controller and at the network edge means that transcoding can be performed on the ingress and egress of the network. The Oracle® Enterprise Session Border Controller transcodes media flows between networks that use incompatible codecs, and avoids back-hauling traffic to a centralized location, alleviating the need for multimedia resource function processors (MRFPs) and media gateways (MGWs) to support large numbers of codecs. This maximizes channel density usage for the MRFPs and MGWs so that they can reserve them for their own specialized functions.

## Software-based transcoding

The Oracle® Enterprise Session Border Controller supports media transcoding on virtual platforms. Refer to the Transcoding Support section of the Release Notes for the list of codecs which may be transcoded with software-based transcoding resources.

Transcoding is the process of converting voice audio streams from one encoding format (codec) to another. In addition to conversion between codecs, the Oracle® Enterprise Session Border Controller can also reframe compressed audio streams from one packet size to another (e.g. 10ms G.729 reframed to 30ms G.729) according to packetization times specified in session establishment. The Oracle® Enterprise Session Border Controller may then convert between any supported codecs and frame size combination to another supported codec and frame size combination.

Software-based transcoding is configured identically to hardware-based transcoding, and is invoked when codec policies are configured but no transcoding hardware is recognized in the system.

## Software-based transcoding alarms and traps

### SNMP Traps

The `apSysMgmtGroupTrap` trap is sent with the MIB OID `apSysXCodeG729Capacity` to alert you of high G.729 Royalty codec usage. This MIB object is defined in `ap-smgmt.mib`. It is sent when utilization rises above 95% of licensed capacity. It is cleared when utilization falls below 80% of licensed capacity. The MIB object appears as:

```
apSysXCodeG729Capacity OBJECT-TYPE
    SYNTAX          SysMgmtPercentage
    MAX-ACCESS      read-only
    STATUS          current
    DESCRIPTION
        "The percentage of licensed G729 transcoding
        utilization"
    ::= { apSysMgmtMIBGeneralObjects 35 }
```

### Alarms

The G729 transcoding utilization alarm is triggered when utilization rises above 95% of licensed capacity. It is cleared when utilization falls below 80% of licensed capacity. The alarm appears as follows on the ACLI:

ID	Task	Severity	First Occurred	Last Occurred
131159	527739792	6	2011-10-11 10:11:49	2011-10-11 10:11:49
Count	Description			
1	G729 Transcoding capacity at 97 (over threshold of 95)			

### Debugging log files

The `log.media` log file records host based transcoding events based upon logging level.

## Hardware-based Transcoding Resources

Acme Packet hardware is provisioned with DSP resources that enable transcoding on the Oracle® Enterprise Session Border Controller. Transcoding capacity depends on the codecs in-use and the number of transcoding modules installed in the system. Capacity scales linearly with each additional transcoding module installed. The number of DSP modules that can be installed is platform-dependent.

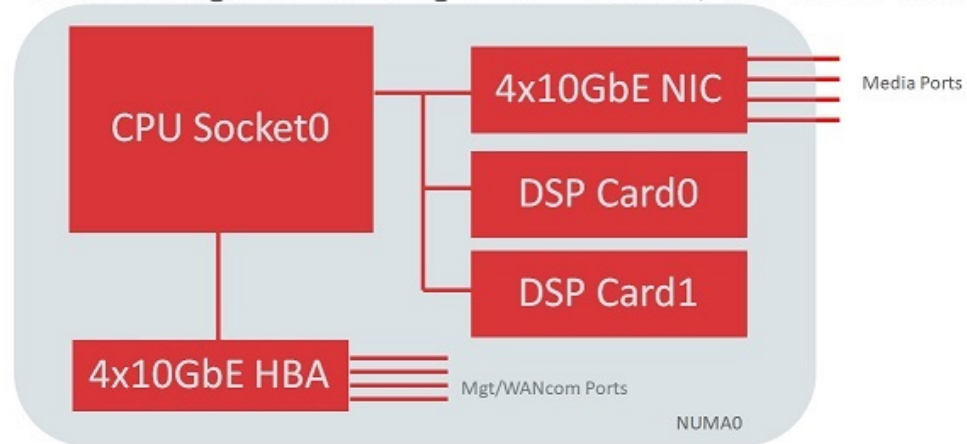
- Acme Packet 6300 and 6350: maximum of 48 DSP modules per system; 1 or 2 (24 DSP) TCUs may be installed in each system
- Acme Packet 4600: maximum of 12 DSP modules
- Acme Packet 3900: maximum of 5 DSP modules



- Acme Packet 1100: maximum of 1 DSP module

## Basic Hardware Configuration for Transcoding

Basic Configuration – single SBC instance, 1 or 2 DSP cards



Oracle Confidential – Internal/Restricted/Highly Restricted 2

## Transcoding Capacity

Transcoding capacity depends on the following:

- Codecs used for transcoding
- Number of transcoding modules installed in the system. Capacity scales linearly with each extra transcoding module installed.

## Transcodable Codec Details

The following table lists the supported codecs, bit rates, RTP payload type, default ptime, and supported ptimes. See the Release Notes for which transcoding platforms support specific codecs.

Codec	Supported Bit Rate (kbps)	RTP Payload Type	Default Ptime (ms)	Supported Ptime (ms)
G.711 PCMU	64	0	20	10, 20, 30, 40, 50, 60
G.711 PCMA	64	8	20	10, 20, 30, 40, 50, 60
G.722	48, 56, 64	9	20	10, 20, 30, 40
G.723.1	5.3, 6.3	4	30	30, 60, 90
G.726	16, 24, 32, 40	2, 96-127	20	10, 20, 30, 40, 50
iLBC	13.33	96-127	20	20, 30, 40, 60
	15.2	96-127	30	20, 30, 40, 60
G.729/A/B	8	18	20	10, 20, 30, 40, 50, 60, 70, 80, 90

Codec	Supported Bit Rate (kbps)	RTP Payload Type	Default Ptime (ms)	Supported Ptime (ms)
AMR	4.75, 5.15, 5.90, 6.70, 7.40, 7.95, 10.2, 12.2	96-127	20	20, 40, 60, 80, 100
AMR-WB (G.722.2)	6.6, 8.85, 12.65, 14.25, 15.85, 18.25, 19.85, 23.05, 23.85	96-127	20	20, 40, 60, 80, 100
GSM FR	13	3	20	20
T.38	4.8, 9.6, 14.4	N/A		10, 20, 30
Opus	48	104	20	10, 20, 40, 60, 80, 100
EVRC	0.8, 4.0, 8.55	96-127	20	20, 40, 60
EVRC0	0.8, 4.0, 8.55	96-127	20	20
EVRC1	4.0, 8.55	96-127	20	20, 40, 60, 80, 100
EVRCB	0.8, 2.0, 4.0, 8.55	96-127	20	20
EVRCB0	0.8, 2.0, 4.0, 8.55	96-127	20	20
EVRCB1	4.0, 8.55	96-127	20	20, 40, 60, 80, 100
SILK	6.0 to 40	96-127	20	20, 40, 60, 80, 100

See the [EVS Supported Options](#) section for EVS information.

See the [SILK Codec Transcoding Support](#) section for SILK information.

## T.38 FAX Support

The Oracle® Enterprise Session Border Controller (E-SBC) supports T.38 FAX relay (Version 0) conversion to T.30 over G.711 and supports FAX modulation schemes up to 14400 kbps V.17. The E-SBC does not support V.34 modulation, at this time.

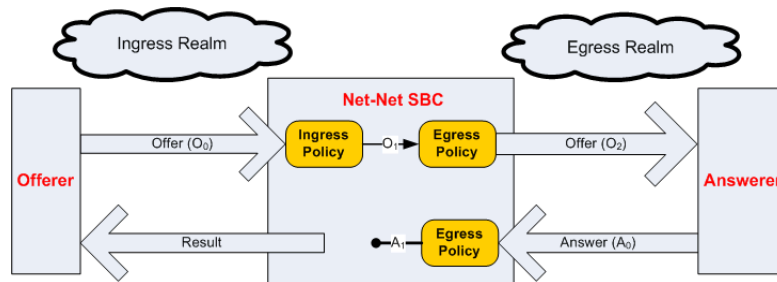
## Transcoding Processing Overview

Transcoding processing is viewed in terms of the ingress and egress realms. The ingress realm is where the SDP offer is received by the Oracle® Enterprise Session Border Controller. The egress realm is where the SDP offer is sent, and where the SDP answer is expected to be received from (i.e., the answerer's realm). A call is defined as transcodable if an egress or ingress policy exists for the session and if the session is not subject to media release, as specified in the realm configuration.

To understand the details of transcoding processing, refer to the following diagram. An SDP offer, O0, is received by the Oracle® Enterprise Session Border Controller in the ingress realm. The ingress codec policy is applied here and the SDP offer is transformed into O1. O1 is then passed to and processed by the egress codec policy. This SDP message is then forwarded to the answerer as O2. The answerer replies with A0 to the Oracle® Enterprise Session Border Controller, which is subjected to the egress codec policy again and transformed into A1.

When policy dictates not to transcode the call, the Result SDP sent back to the offerer is based on the common codecs shared between A1 and O1. The Oracle® Enterprise Session Border Controller first constructs the list of codecs that are present in both in O1 and A1. Then, the Oracle® Enterprise Session Border Controller maintains the codec order from A1 for the Result as it is sent to the offerer.

When policy dictates to transcode the call, the top transcodable codec in O1 is used in the ingress realm and the top non-signaling codec in A1 is used in the egress realm.



## Unoffered Codec Reordering

According to RFC 3264, the answerer can add codecs that were not offered to the Answer. The answerer may add new codecs as a means of advertising capabilities. RFC 3264 stipulates that these unoffered codecs must not be used. The RFC does not dictate where in the m= line these codecs can appear and it is valid that they may appear as the most preferred codecs.

In order to simplify the answer processing, the Oracle® Enterprise Session Border Controller moves all unoffered codecs in A<sub>0</sub> to the back of the SDP answer before any other answer processing is applied.

## Non-transcoded Call

The decision to transcode is based on the top non-signaling codec in A<sub>1</sub>. If the top A<sub>1</sub> codec is present in O<sub>1</sub>, the call proceeds, non-transcoded. This is the rule for non-signaling codecs (i.e., not RFC 2833 nor FAX).

## Transcoded Call

The following two conditions must then be met to transcode the call's non-signaling media:

- The top A<sub>1</sub> codec is not present in the O<sub>1</sub> m= line
- The top A<sub>1</sub> codec was added by the egress policy

If these rule are met, the Oracle® Enterprise Session Border Controller will transcode between the top A<sub>1</sub> codec and the top transcodable, non-signaling O<sub>1</sub> codec.

## Post Processing

If any errors are encountered during the Ingress and Egress policy application, or other violations of RFC3264 occur, the call is rejected. If O<sub>2</sub> does not contain any enabled m= lines at the conclusion of the initial call setup, the call is rejected. If O<sub>2</sub> does not contain any enabled m= lines at the conclusion of a reINVITE, the reINVITE is rejected and the call reverts back to its previous state.

## Voice Transcoding

The following examples use the ingress and egress codec policies listed at the top of each scenario. The examples use changing SDP offers and answers, which contribute to unique results, per example. The effects of the SDP offers and answers are explained in each example.

### Voice Scenario 1

The following ingress and egress policies are used for scenario 1.

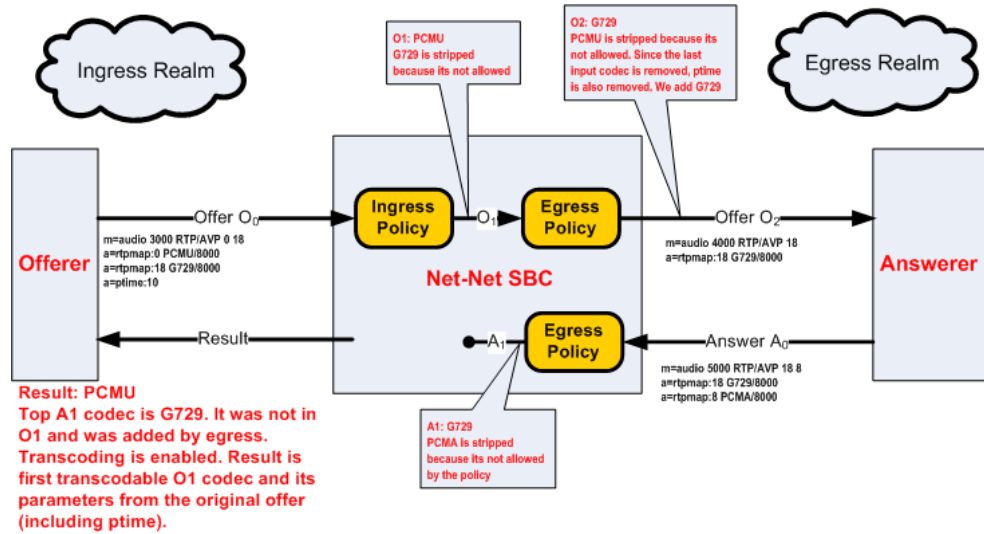
Ingress Policy	Ingress Policy	Egress Policy	Egress Policy
allow-codecs	PCMU GSM	allow-codecs	G729 GSM G722
add-codecs-on-egress	PCMU	add-codecs-on-egress	G729
order-codecs	N/A	order-codecs	N/A
force-ptime	disabled	force-ptime	disabled
packetization-time	N/A	packetization-time	N/A

 **Note:**

The codec in the ingress policy's add-codecs-on-egress parameter has no effect in the following examples. Its presence would have an effect if a reINVITE was initiated from egress realm, effectively reversing the roles of the codec policies.

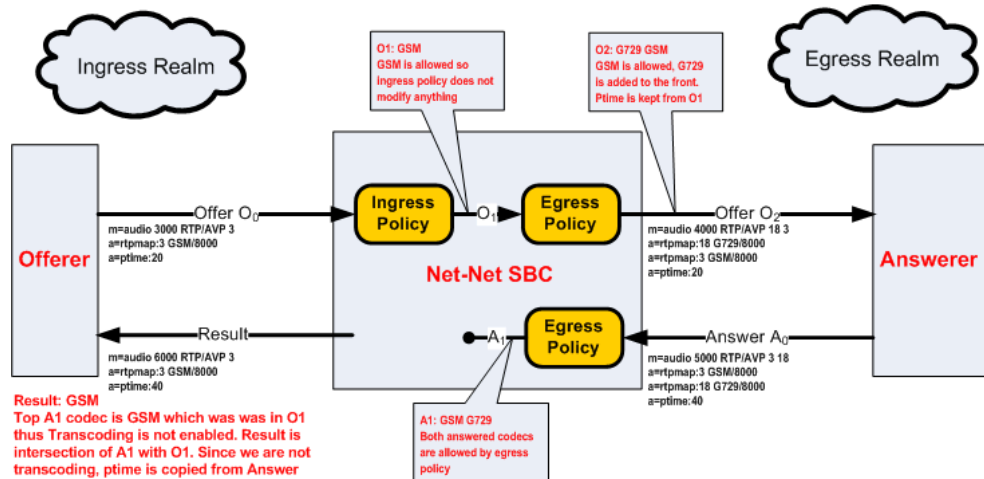
1. In the following diagram, PCMU and G729 are offered. Ingress policy removes G729 and allows PCMU. The egress policy adds G729 and strips PCMU from offered SDP and forwards it on to the answerer (ptime is also removed because the last codec was removed).

The SDP answer agreed to use G729 and adds PCMA. The egress policy then strips PCMA from the SDP answer. At this point, the top codec in A1, G729 is checked against O1. Since G729 is not present in O1, it is transcoded to PCMU.

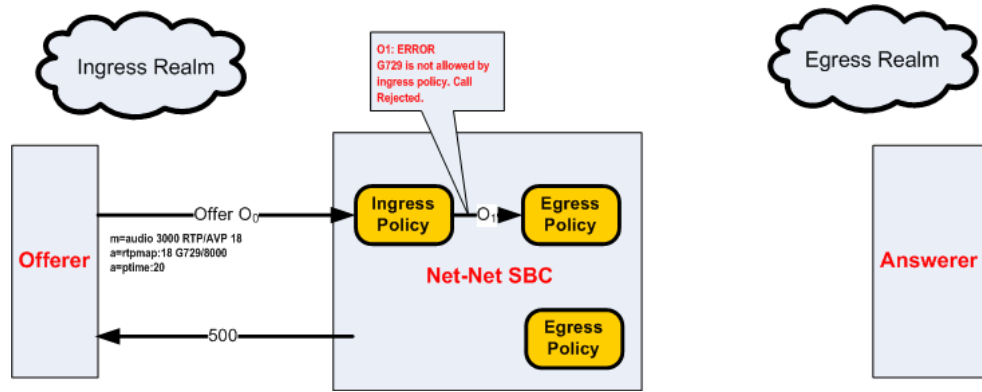


- In the following diagram, GSM is in the original SDP offer. It is then passed through to O1. Egress policy adds G729 and retains ptime from GSM and sends this to the answerer as O2.

The SDP answer agrees to use G729 and GSM, but prioritizes GSM. The egress policy allows both codecs through, unchanged. Because A1 and O1 both have GSM, it is used for the non-transcoded call. Ptime is copied from A0 to the result.

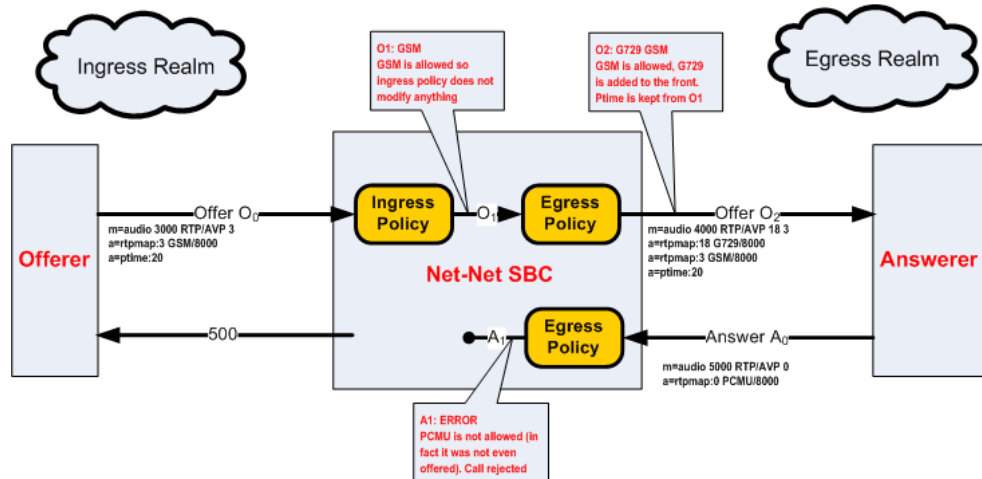


- In the following diagram, G729 in the original SDP offer. Because once G729 is removed, no non-signaling are left in O1, thus the call is rejected.



- In the following diagram, GSM is in the original SDP offer. It is then passed through to O1. Egress policy adds G729 and retains ptime from O1 and sends this to the answerer as O2.

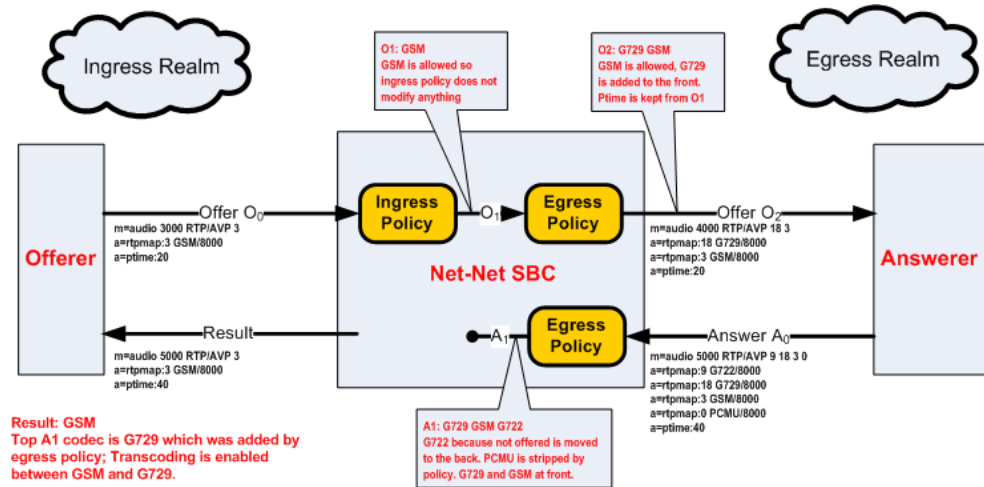
The SDP answer states that the answerer wants to use PCMU. This is a violation of the RFC3264. Therefore the call is rejected.



In this example, when the negotiation fails, the Oracle® Enterprise Session Border Controller sends a 500 message to the offerer and a BYE message to the answerer.

- In the following diagram, GSM is in the original SDP offer. It is then passed through to O1. Egress policy adds G729 and retains ptime from O1 and sends this to the answerer as O2.

The SDP answer replies with G722 G729 GSM and PCMU. PCMU is stripped by policy, G722 is moved to the back of the answer because it was not offered. The top A1 codec was not in O1, and was added by egress policy, therefore the call is transcoded between GSM and G729.

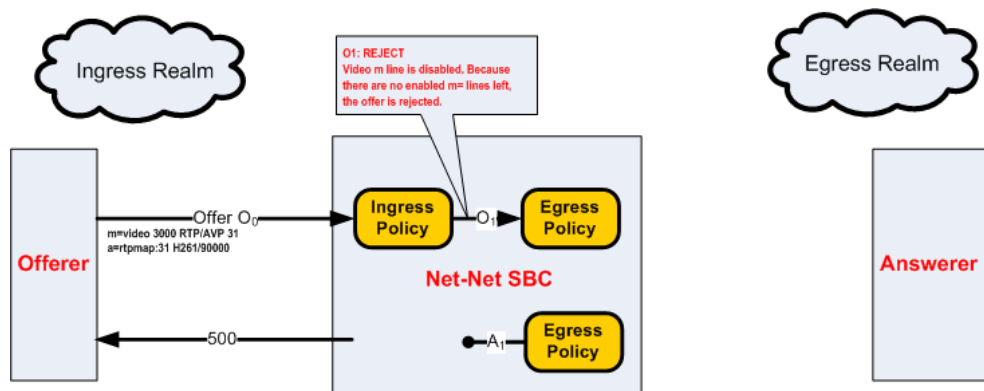


## Voice Scenario 2

The following ingress and egress policies are used for scenario 2.

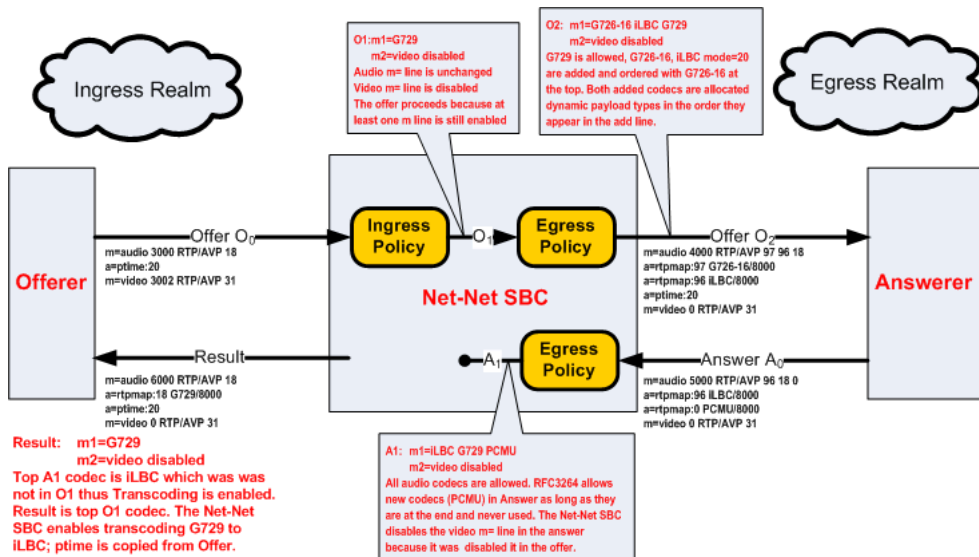
Ingress Policy	Ingress Policy	Egress Policy	Egress Policy
allow-codecs	Video:no PCMU:force * PCMA:force	allow-codecs	* PCMA:no
add-codecs-on-egress	N/A	add-codecs-on-egress	iLBC G726-16
order-codecs	N/A	order-codecs	G726-16 * PCMU
force-ptime	disabled	force-ptime	disabled
packetization-time	N/A	packetization-time	N/A

1. In the following diagram, a video m= line is offered. The ingress policy disables the video m= lines. With no enabled m= lines left, the call is rejected.



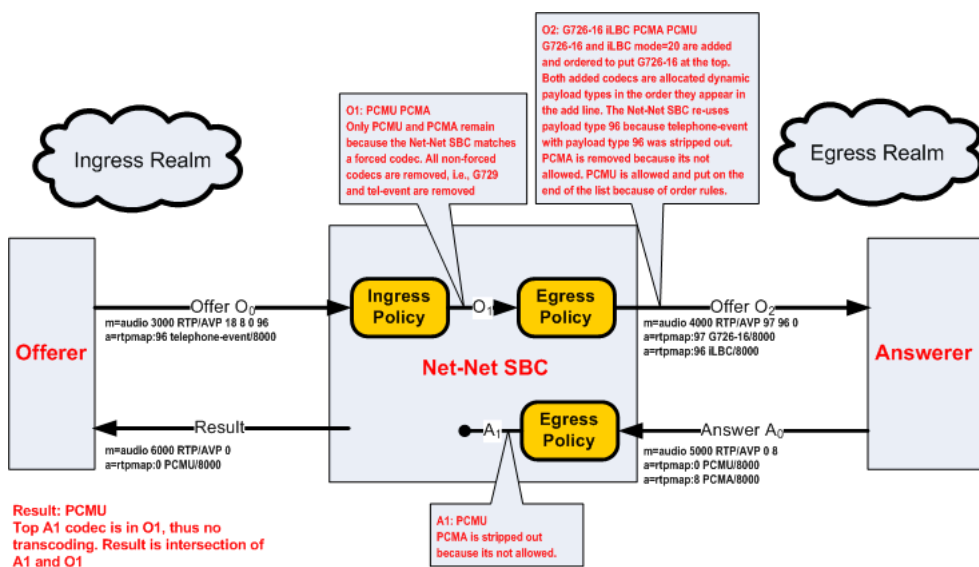
2. In the following diagram, G729 and video are offered to the Oracle® Enterprise Session Border Controller. Ingress policy allows G729 and disables the video m= line. The egress policy adds iLBC and G726-16, and then orders the codecs according to the order-codecs parameter. The ptime is maintained between O0 and O2. Both added codecs are allocated dynamic payload types in the order they appear in their m= line. A disabled Video m= line is passed on to the answerer.

The SDP answer agreed to use iLBC, G729, and adds PCMU, and reorders them as stated. The disabled video m= line is maintained. At this point, the top codec in A1, iLBC is used and transcoded with the top codec in O1, G729.



- In the following diagram, G729 and video are offered to the Oracle® Enterprise Session Border Controller. Ingress policy allows G729 and disables the video m= line. The egress policy adds iLBC and G726-16, and then orders the codecs according to the order-codecs parameter. The ptime is maintained between O0 and O2. Both added codecs are allocated dynamic payload types in the order they appear in their m= line.

The SDP answer only wants to use PCMU and PCMA. The egress policy removes PCMA and passes only PCMU to the offerer. Because PCMU was in O1 and is now the only codec in A1, it is used, and no transcoding is used between the endpoints.

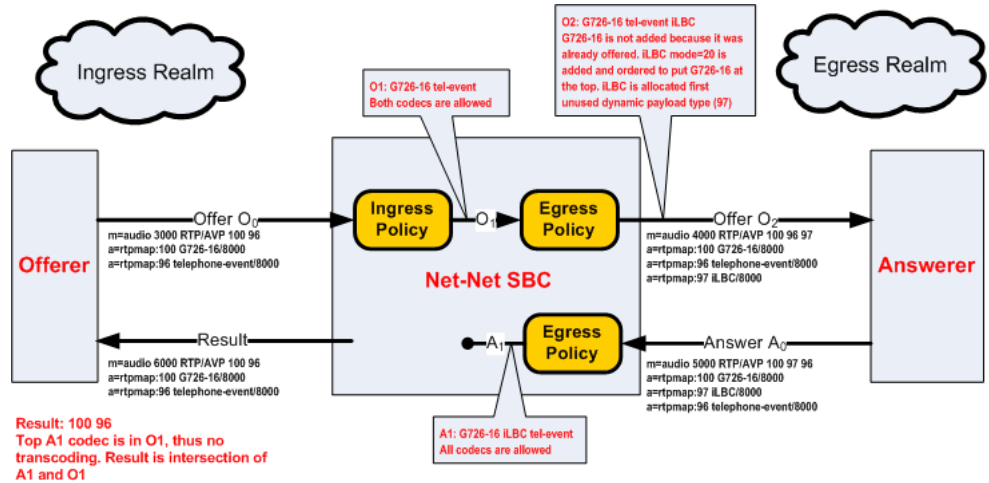


- In the following diagram, G726-16 and telephone-event are offered to the Oracle® Enterprise Session Border Controller. Ingress policy allows both codecs. The



egress policy adds iLBC, and then orders the codecs according to the order-codecs parameter.

The SDP answer agreed to use all codecs, but reorders them with G726-16 in the top position. Because G726-16 is the top codec in A1, and it is also present in O1, it is used for this call without any transcoding.

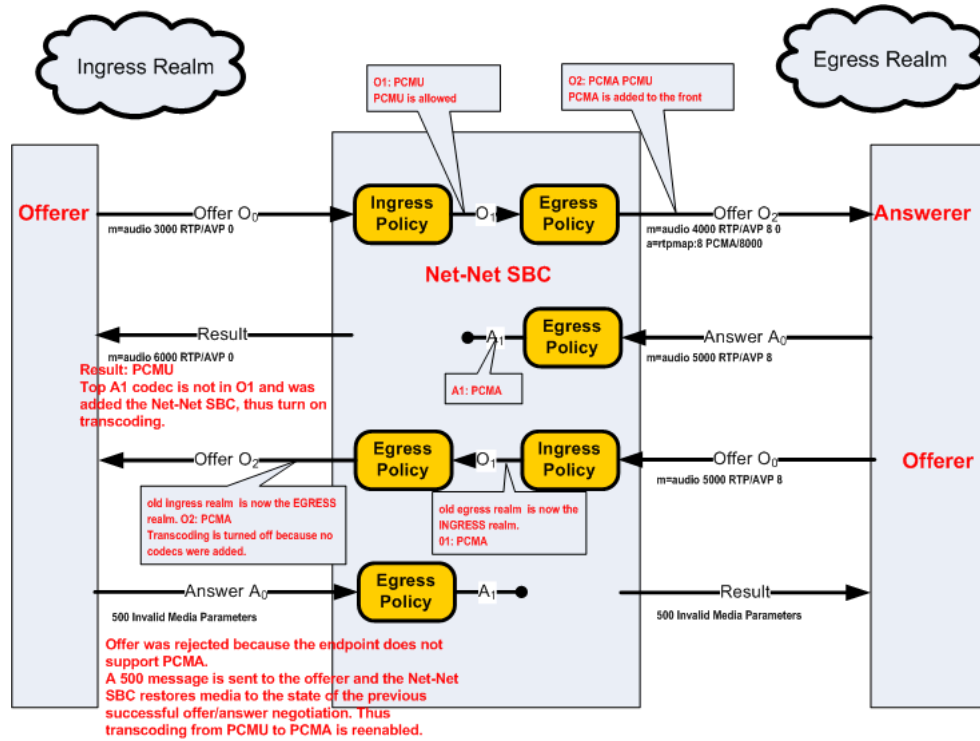


### Voice Scenario 3

Voice scenario 3 involves reINVITEs. The following ingress and egress policies are used for scenario 3.

Ingress Policy		Egress Policy	
allow-codecs	PCMU G729	allow-codecs	*
add-codecs-on-egress	N/A	add-codecs-on-egress	PCMA
order-codecs	N/A	order-codecs	N/A
force-ptime	disabled	force-ptime	disabled
packetization-time	N/A	packetization-time	N/A

- In the following diagram, the answerer sends a reINVITE after a previous transcoding session was established. The original offerer and answerer swap roles. The new offerer rejects the SDP offer and the call reverts to the state negotiated in the original SDP negotiation.



## RFC 2833 Transcoding

RFC 2833 defines an RTP payload that functions interchangeably with DTMF Digits, Telephony Tones and Telephony Signals. The Oracle® Enterprise Session Border Controller can monitor audio stream for in-band DTMF tones and then can convert them to data-based telephone-events, as sent in RFC2833 packets. This section explains how the Oracle® Enterprise Session Border Controller transcodes between these RTP-based telephone events and in-band DTMF tones carried by G711. DTMF tones can only be transported in non compressed codecs. The Oracle® Enterprise Session Border Controller supports two DTMFable non-compressed codecs: PCMU (G711 $\mu$ ) and PCMA (G711A).

### Note:

The following line is added to SDP whenever telephone-event is added on egress: a=fmtp:101 0-15

The following two scenarios describe when telephone-event to DTMF transcoding takes place:

### RFC 2833 Scenario 1

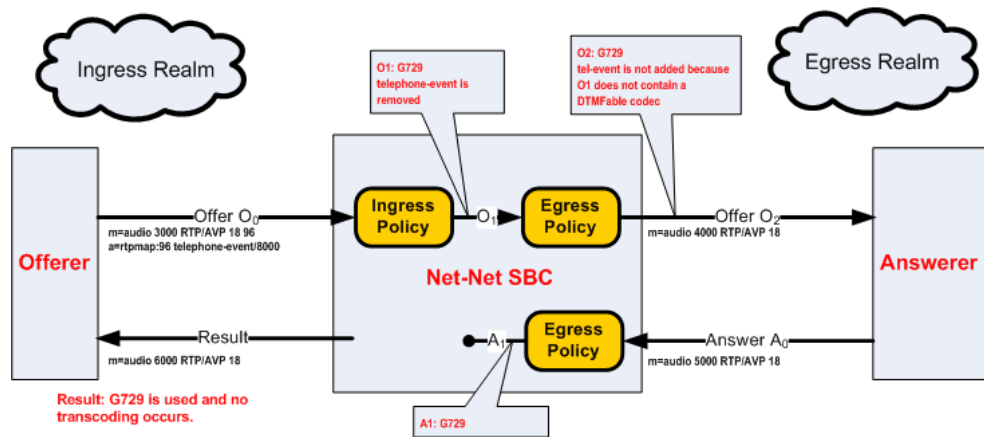
The following ingress and egress policies are used for scenario 1.

Ingress Policy		Egress Policy	
allow-codecs	* telephone-event:no	allow-codecs	* PCMA:no

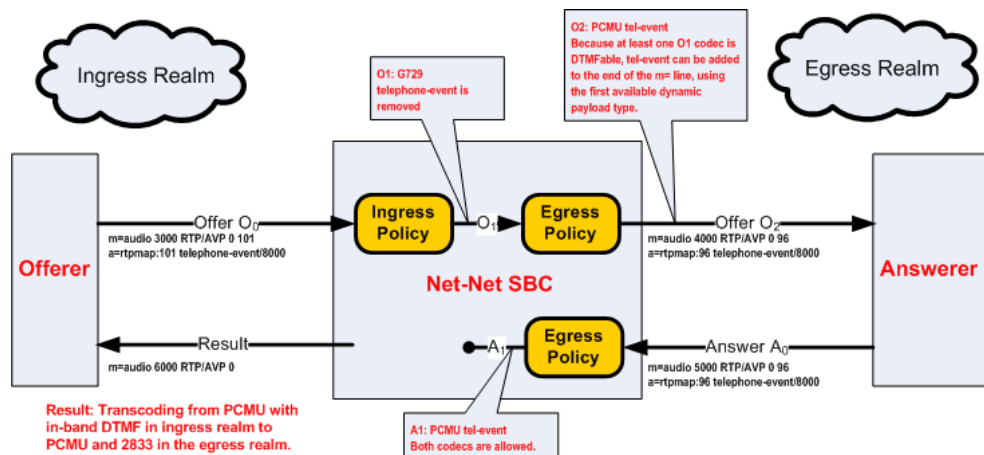
Ingress Policy		Egress Policy	
add-codecs-on-egress	N/A	add-codecs-on-egress	telephone-event
order-codecs	N/A	order-codecs	N/A
force-ptime	disabled	force-ptime	disabled
packetization-time	N/A	packetization-time	N/A
dtmf-in-audio	preferred	dtmf-in-audio	preferred

1. In the following diagram, telephone event was offered by the offerer but was stripped by ingress policy. telephone-event was not added by the egress policy because the remaining audio codec in O1 was not DTMFable. G729 was the only codec forwarded on to the answerer.

The SDP answer agreed to use the remaining audio codec, G729. A0 is unaltered by egress policy, and forwarded as the Result to the offerer. Therefore, G729 is used in both the ingress and egress realms, the call does not support RFC 2833, and the call is not transcoded.

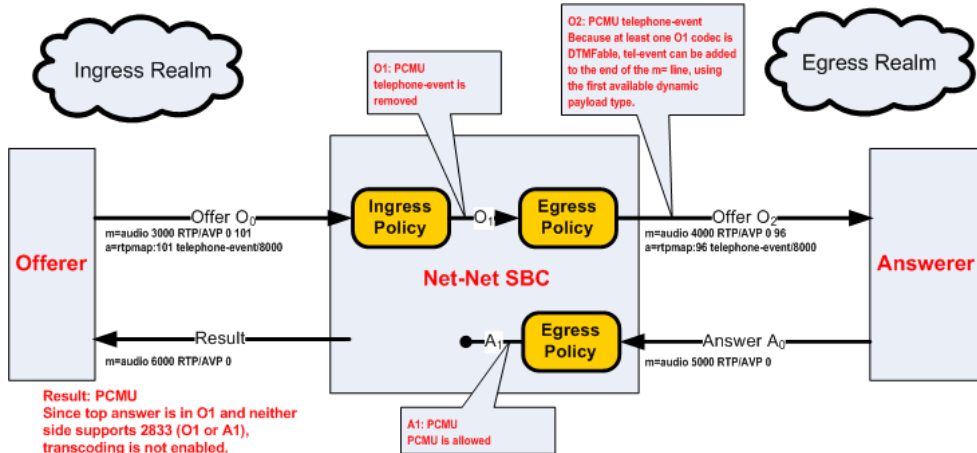


2. In the following diagram, telephone event was offered by the offerer but was stripped by ingress policy. telephone-event was added by the egress policy because the remaining audio codec in O1 was DTMFable. PCMU and telephone-event are then forwarded on to the answerer. Note that the telephone-event payload type is added with the lowest available dynamic type number.



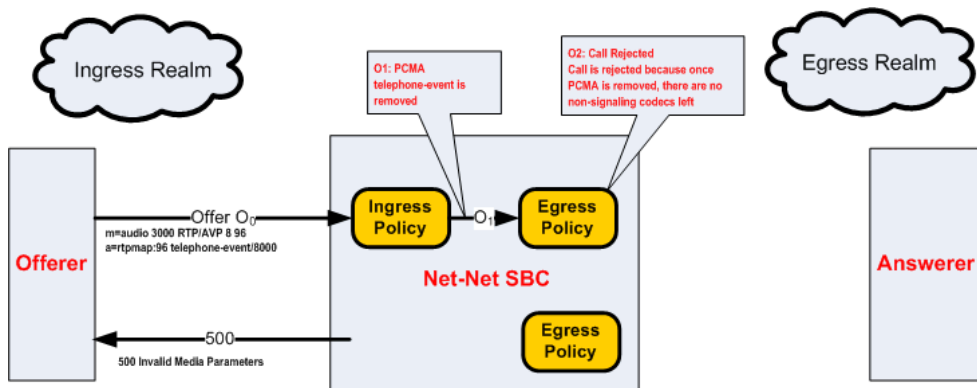
This case illustrates when the answerer supports audio and RFC 2833, but the offerer supports audio with inband DTMF. The Oracle® Enterprise Session Border Controller transcodes between RFC2833 in the egress realm to in-band DTMF on the ingress realm.

- In the following diagram, telephone event was offered by the offerer but was stripped by ingress policy. telephone-event is added by the egress policy because the remaining audio codec in O1 was DTMFable. PCMU and telephone-event are then forwarded on to the answerer. Note that the telephone-event payload type is added with the lowest available dynamic type number.



The SDP answer only agreed to use PCMU. When A0 reaches the egress policy, it is passed along through the Oracle® Enterprise Session Border Controller to the offerer. Because telephone-event was not answered by the answerer and not supported in O1, it can't be used. Transcoding is therefore not used for this call.

- In the following diagram, telephone event was offered by the offerer and was stripped by ingress policy. Since PCMA was also stripped by the egress policy, leaving no non-signaling codecs, the call is rejected. A 500 message is sent back to the offerer.

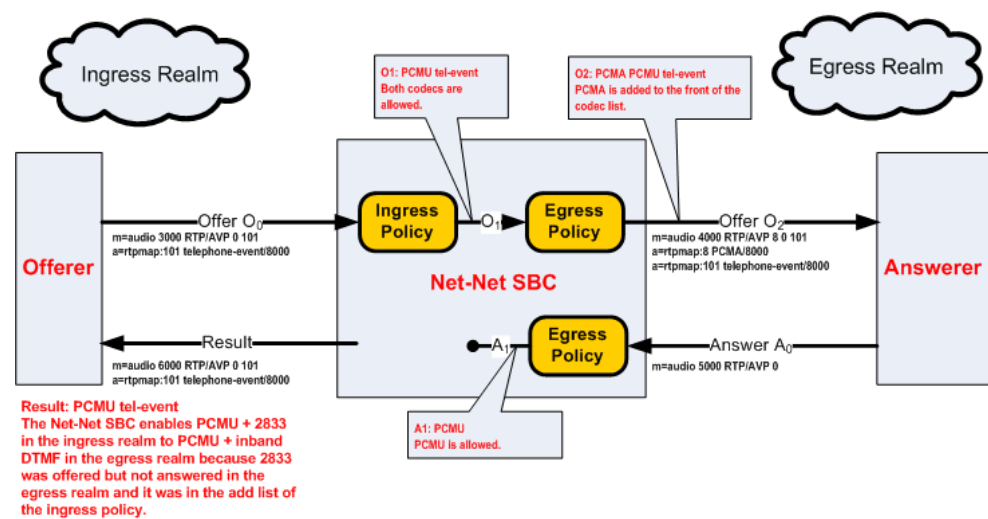


## RFC 2833 Scenario 2

The following ingress and egress policies are used for RFC2833 scenario 2.

Ingress Policy		Egress Policy	
allow-codecs	*	allow-codecs	*
add-codecs-on-egress	telephone-event	add-codecs-on-egress	PCMU
order-codecs	N/A	order-codecs	N/A
force-ptime	disabled	force-ptime	disabled
packetization-time	N/A	packetization-time	N/A
dtmf-in-audio	preferred	dtmf-in-audio	preferred

1. In the following diagram, telephone event and PCMU are offered by the offerer. They are both passed to O1, and PCMA is added as it is sent to the answerer. The SDP answer, A0 disables all codecs but PCMU.

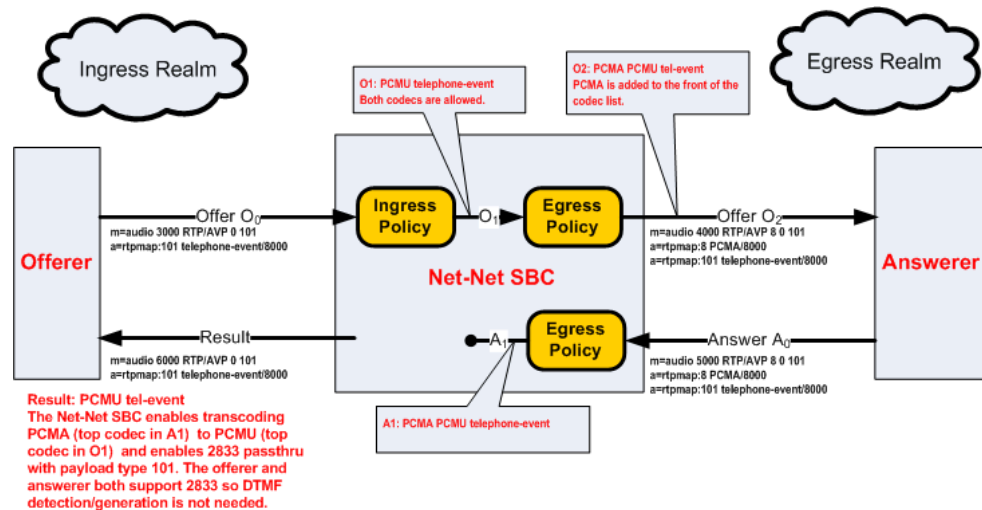


The Oracle® Enterprise Session Border Controller adds telephone-event to the result because it is listed on the ingress policy's add-codecs-on-egress parameter and present in the offerer's SDP.

**Note:** This is the only time the add list of an ingress policy is utilized as a check.

The result SDP includes PCMU and telephone-event in the ingress realm, which is transcoded to PCMU with in-band DTMF in the egress realm.

2. In the following diagram, telephone event and PCMU are offered by the offerer. They are both passed to O1, and PCMA is added as it is sent to the answerer. The SDP answer supports all three codecs offered, with PCMA added on top.



The answerer responds with PCMA as the preferred codec in A0. The Oracle® Enterprise Session Border Controller compares A1 to O1 to make the transcoding decision. PCMA is the top codec in A1 and is transcoded to PCMU, the top codec in O1. Also, because telephone-event is supported by both sides of the call, it is passed through without any transcoding necessary.

This case illustrates when both endpoints are capable of sending and receiving telephone-event. Regardless of whether the audio portion of the call is transcoded, the telephone-event messages are passed through the system untouched, thus not requiring transcoding resources. This is known as telephone-event pass-through.

## FAX Transcoding

FAXes are transmitted in a call as either T.30 or T.38 media. T.30 FAX is binary in-band media carried over G.711. The Oracle® Enterprise Session Border Controller (E-SBC) can transcode between T.38 and a faxable codec. The supported faxable codecs are PCMU and PCMA.

T.30 can be transported only in non-compressed codecs. The two non-compressed codecs supported by the E-SBC are PCMU (G711μ) and PCMA (G711A). If a transcoding realm does not support an uncompressed codec, T.30 cannot be supported in that realm. Alternatively, G711FB may be allowed specifically for FAX only.

The E-SBC uses an internal codec called G711FB (G711 - Fall Back) that is an umbrella codec of all FAXable codecs. G711FB will default to PCMU for the purpose of offering a faxable codec. You can re-map G711FB to PCMA by configuring the media-profile for it appropriately. G711FB's only use is for FAX transcoding.

FAX transcoding is triggered when you configure the add on egress parameter with either T.38 or G711FB. In a FAX scenario, when the codec policy adds either T.38 or G711FB, a new m= line is added to the SDP. When adding T.38, the new m= line specifies the T.38 codec. When adding G711FB, the new m= line specifies PCMU (or alternatively PCMA).

When added, m= lines cannot be deleted in the context of a call. The E-SBC maintains all m= lines between itself and an endpoint throughout the course of call. All m= lines not in use can be disabled by setting their receive port to 0, but they cannot be removed from the SDP.

## Defining G711FB

G711 Fall Back (G711FB) is an internal codec that encompasses PCMU and PCMA for carrying fax information in FAXable codecs. You must configure the G711FB codec for either PCMU or PCMA for when the Oracle® Enterprise Session Border Controller inserts a FAXable codec in SDP. G711FB is used only for FAX transcoding scenarios.

To define G711 FB, create a media profile configuration element named g711fb and set the payload-type to 0 or 8.

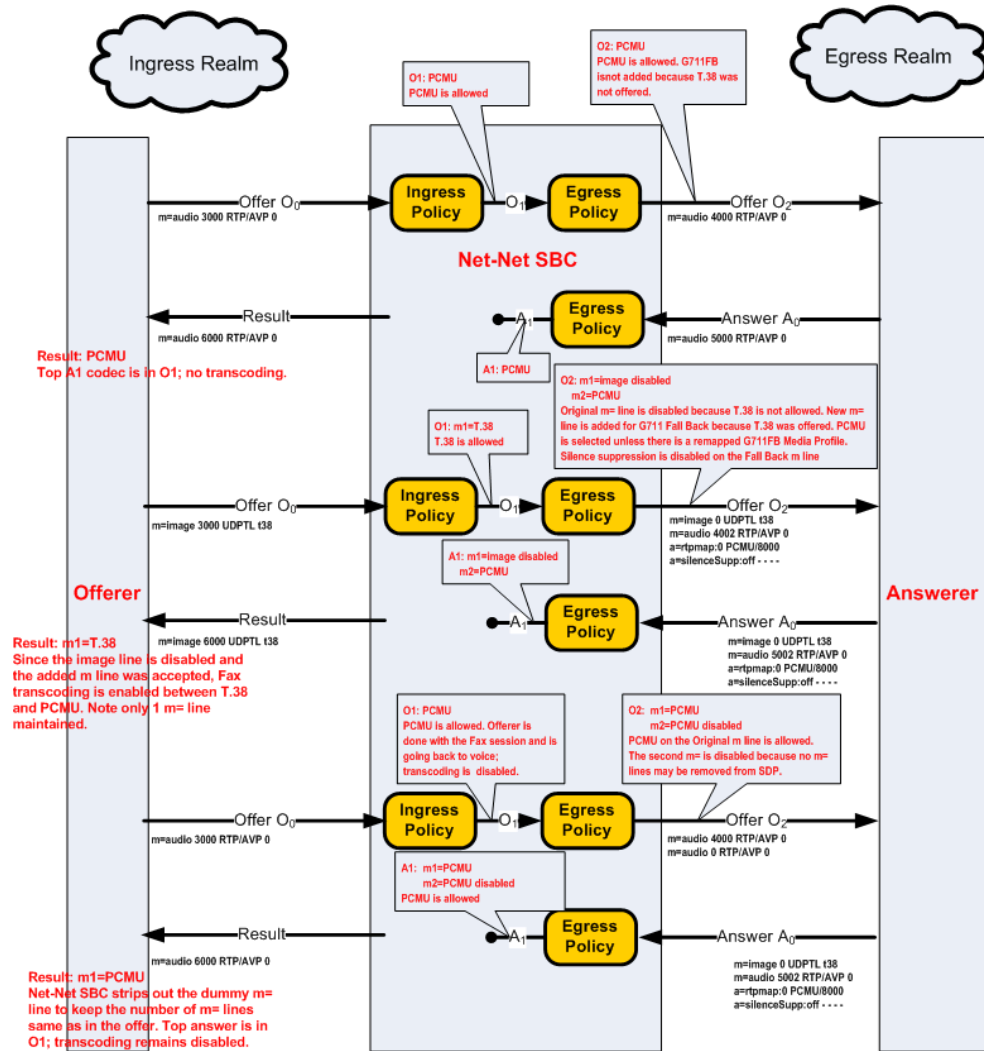
Codec (supported bit rates)	RTP Payload Type	Default Ptime (ms)	Supported Ptime (ms)
T.38	N/A	30	10, 20, 30
G711FB (64 kbps)	0, 8	30	10, 20, 30

## FAX Scenario 1

The following ingress and egress policies are used for this FAX scenario.

Ingress Policy		Egress Policy	
allow-codecs	*	allow-codecs	T.38:no
add-codecs-on-egress	N/A	add-codecs-on-egress	G711FB
order-codecs	N/A	order-codecs	N/A
force-ptime	disabled	force-ptime	disabled
packetization-time	N/A	packetization-time	N/A

- In the following diagram, there are three offer-answer exchanges. Initially a PCMU-to-PCMU session is negotiated. Next, a T.38 to PCMU session is negotiated. Finally, the session reverts to non-transcoded PCMU to PCMU state.



## FAX Scenario 2

The following ingress and egress policies are used for this FAX scenario.

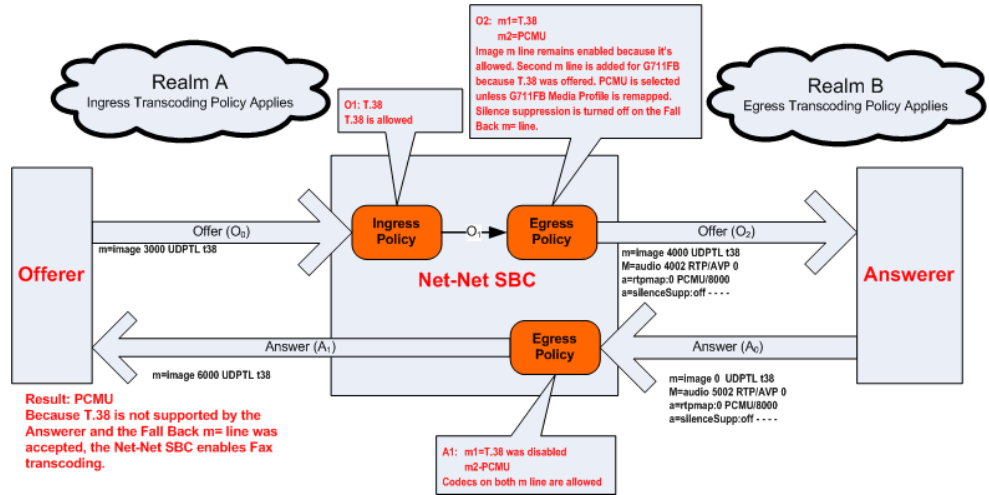
Ingress Policy		Egress Policy	
allow-codecs	*	allow-codecs	*
add-codecs-on-egress	N/A	add-codecs-on-egress	G711FB
order-codecs	N/A	order-codecs	N/A
force-ptime	disabled	force-ptime	disabled
packetization-time	N/A	packetization-time	N/A

- In the following diagram, T.38 is offered to the Oracle® Enterprise Session Border Controller. A second m= line was added to O1 that included a G711FB codec (PCMU).

The SDP answer agreed to PCMU, but disabled T.38. When the Oracle® Enterprise Session Border Controller forwarded the SDP in A1 to the answerer,

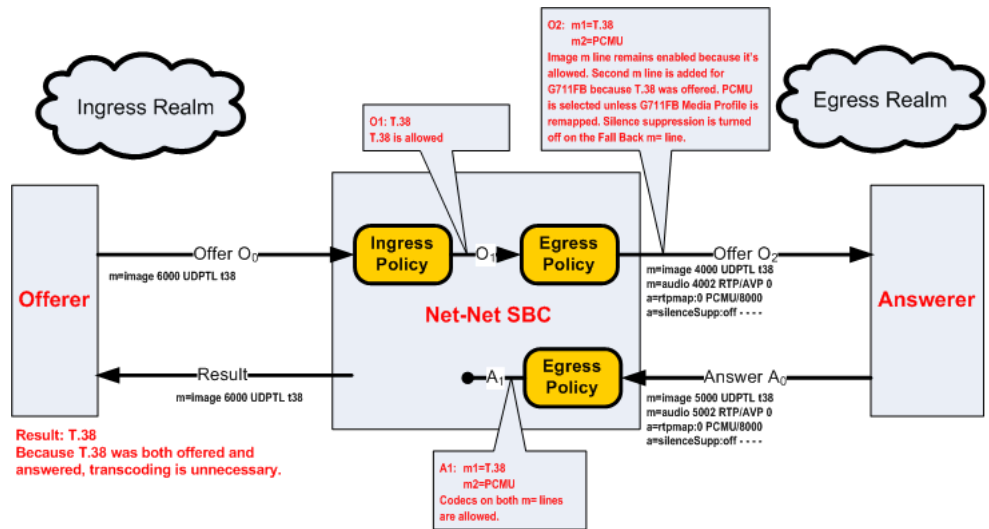


it stripped the second m= line. Because A1 rejects T.38 m= line, but accepts the PCMU m= line, FAX transcoding is enabled.



- In the following diagram, T.38 is offered to the Oracle® Enterprise Session Border Controller. A second m= line was added to O1 that included a G711FB codec (PCMU).

The SDP answer agreed to PCMU and T.38. Because both O1 and A1 support T.38, the call proceeds without transcoding.



### FAX Scenario 3

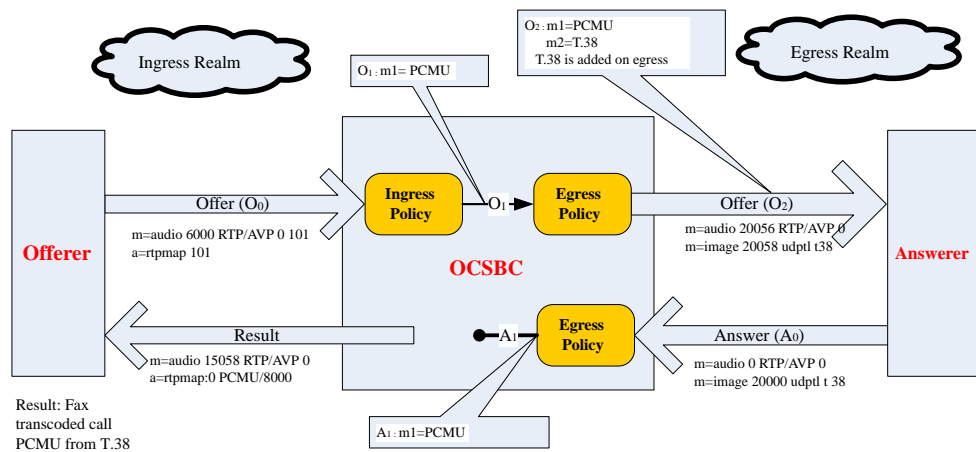
The following ingress and egress policies are used for this FAX scenario.

Ingress Policy		Egress Policy	
allow-codecs	*	allow-codecs	*
add-codecs-on-egress	N/A	add-codecs-on-egress	PCMU, G729, T.38

Ingress Policy		Egress Policy	
order-codecs	N/A	order-codecs	N/A
force-ptime	disabled	force-ptime	disabled
packetization-time	N/A	packetization-time	N/A

- In the following diagram, PCMU and telephone-event codecs are received by Oracle® Enterprise Session Border Controller. The egress codec policy has PCMU, G729 and T.38 **add-codecs-on-egress**.

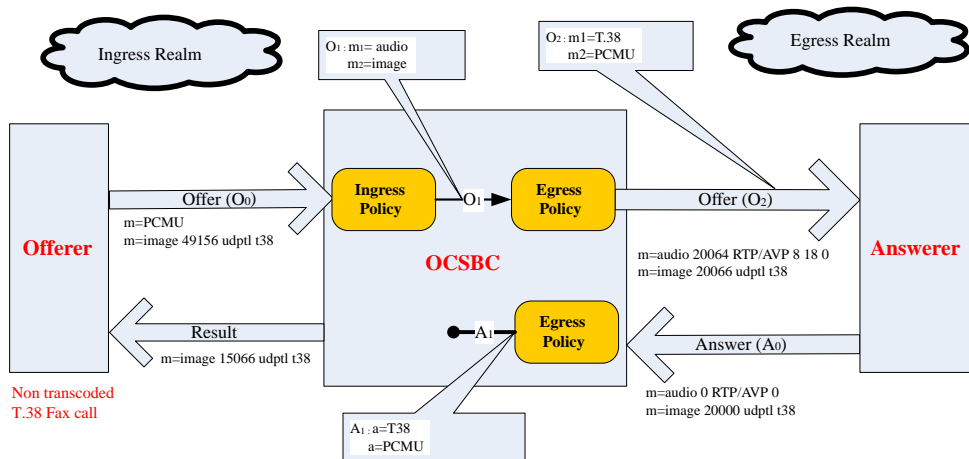
Since there is a faxable codec in the SDP offer and T.38 in **add-on-egress**, the non-faxable codec G729 is stripped and T.38 is added to egress offer. In the A0 answer the audio m-line is zero indicating disabled and the port for the image m-line is non-zero (20000) so the called party has selected T.38. Hence PCMU in realm A is transcoded to T.38 in realm B.



- In the following diagram, PCMU and T.38 are received by the Oracle® Enterprise Session Border Controller. The egress codec policy has PCMU, G729, and T.38 **add-codecs-on-egress**.

T.38 is present in the O0 offer, and therefore will not be explicitly added by the egress codec policy to the O2 Offer. The logic to remove non-faxable codecs is only invoked when T.38 is added by the **add-codecs-on-egress** parameter. In this example, T.38 is not added since it is already present in SDP. With PCMU and T.38 received, G729 as a non-faxable codec is not removed. Therefore, PCMU, T.38, and G729 are all present in the O2 SDP offer sent to the answerer.

In the A0 answer, the audio m-line port is 0 indicating that audio is disabled, and the port for the image m-line is nonzero (20000), thus the called party has selected T.38. In the A1 answer the OCSBC send the audio m-line port as 0 indicating that audio is disabled, and the port for the image m-line is nonzero (20000). This set-up results in a non-transcoded T.38 -OCSBC -T.38 fax call.



## Transrating

The Oracle® Enterprise Session Border Controller can transrate media as it exits the Oracle® Enterprise Session Border Controller into the network. Transrating is also known as forced packetization time (ptime), and is used to enforce a configured ptime within a realm. Transrating is often desirable when devices in a realm can only accept media with a specific ptime, or to optimize bandwidth.

If this feature is configured, the media portion of a call is transrated regardless of which codecs are ultimately chosen for each realm as long as they are transcodable. This allows realms that have devices that can only use a single packetization interval to interwork with devices that may or may not have the same packetization capabilities.

You must enable force-ptime in the egress codec policy and then specify the packetization time to force. When force ptime is enabled, it implicitly masks all codecs not of the specified packetization time that are listed in that codec policy's allow codecs and add codecs on egress parameters. For example, if force ptime is enabled with a packetization time of 20 ms, then no G723 codecs (which are only available at 30, 60, and 90 ms) may be active via codec policy in that realm.

Transrating occurs when forced-ptime is enabled and the offered and answered ptimes do not match and the top non-Signaling codec of A1 and top non Signaling codec of O1 are Transcodable.

### Note:

Answered ptime A1 does not have to be equal to the ptime inserted into the outgoing offer O2, it just has to be different than the offer the Oracle® Enterprise Session Border Controller received (O1).

## Transrating Scenario 1

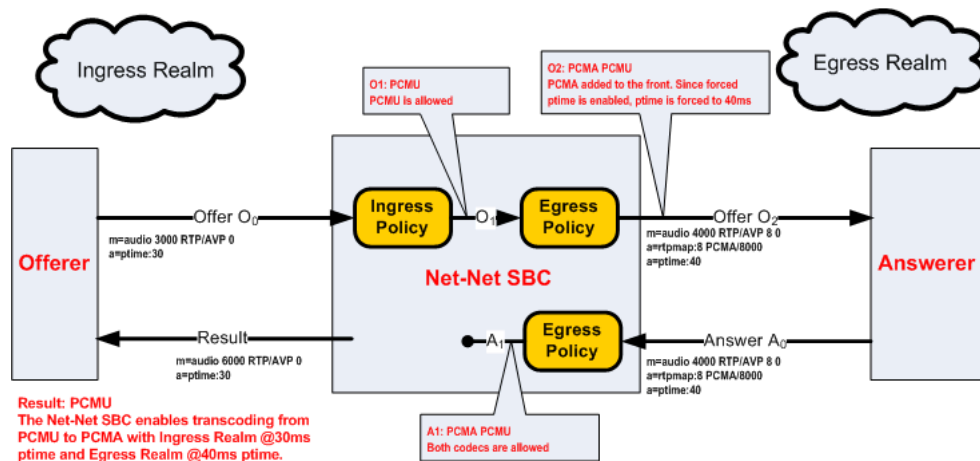
The following ingress and egress policies are used for this FAX scenario.

Ingress Policy	Egress Policy
allow-codecs *	allow-codecs *

Ingress Policy		Egress Policy	
add-codecs-on-egress	N/A	add-codecs-on-egress	PCMA
order-codecs	G723 *	order-codecs	N/A
force-ptime	disabled	force-ptime	enabled
packetization-time	N/A	packetization-time	40

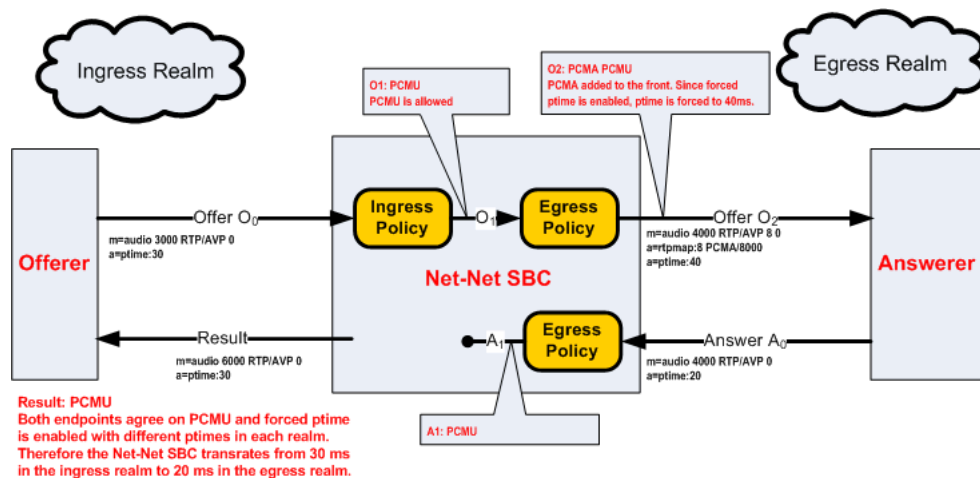
- In the following diagram, PCMU is offered in the ingress realm with 30ms ptime, and the egress realm is forced to use 40ms ptime. PCMA is added as the top codec for the egress realm.

The Oracle® Enterprise Session Border Controller enables transcoding between the ingress realm (PCMU) and the egress realm (PCMA) and the ptimes as negotiated are also maintained.



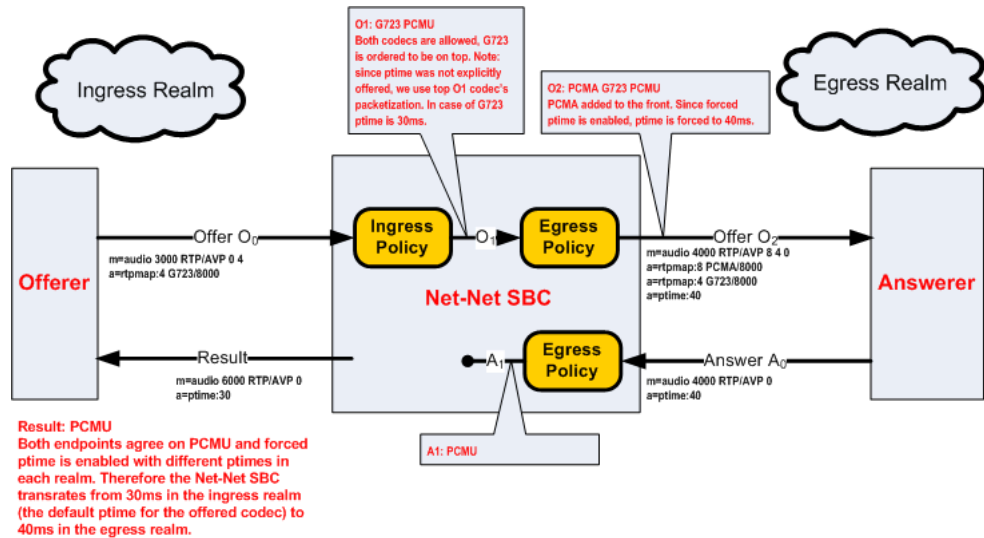
- In the following diagram, PCMU is offered in the ingress realm with a ptime of 30ms, and forced to 40 ms in the egress realm by policy.

The answerer chooses to use PCMU with a 20 ms ptime. Thus the call is not transcoded, but it is transrated from 30ms in the ingress realm to 20ms in the egress realm.



- In the following diagram, PCMU and G723 are offered in Realm A. The top codec's ptime (30ms) is implied as the one for the ingress realm. The Oracle® Enterprise Session Border Controller adds PCMA to the SDP offer with a 40ms ptime.

The answerer chooses to use PCMU with a 40 ms ptime. Thus the call is transrated from 30ms in the ingress realm to 40ms in the egress realm.



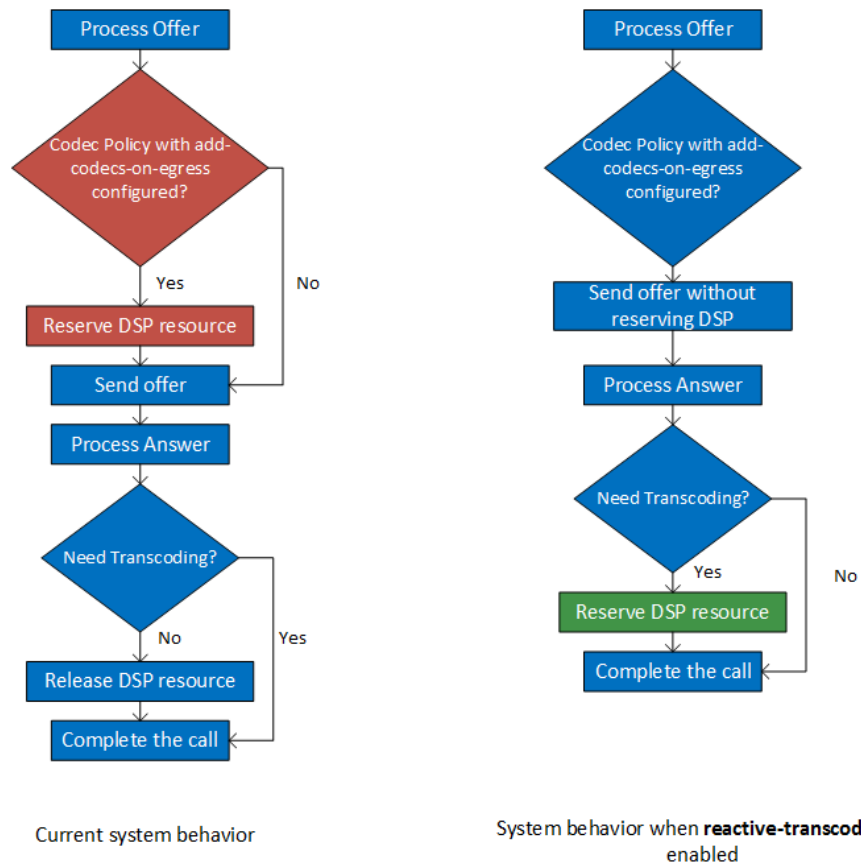
## Reactive Transcoding

When setting up transcoded calls the Oracle® Enterprise Session Border Controller (E-SBC) reserves a Digital Signaling Processor (DSP) resource for the incoming SDP offers that need transcoding. The default behavior is to pre-book the DSP resource and use it when the system's egress policy qualifies the SDP offer for transcoding.

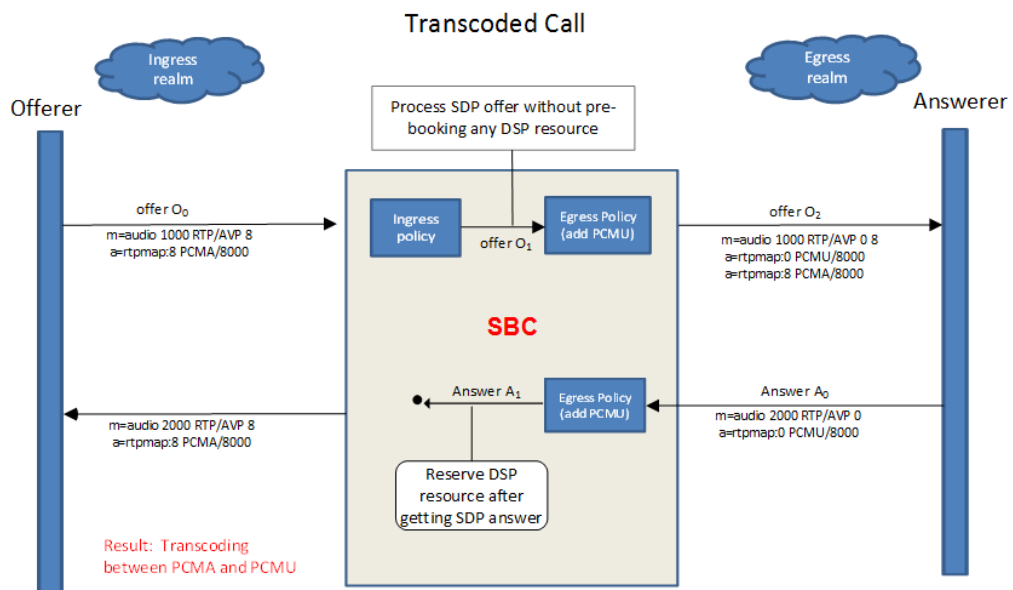
Alternatively, the E-SBC offers a **reactive-transcoding** option where the DSP resource is reserved after the SDP answer is received. Reactive transcoding is enabled by setting **media-manager-config, reactive-transcoding to enabled**. The advantage of this process is for every call that comes in the DSPs need not be pre-booked and instead can be dynamically reserved. The ideal situation for this behavior is when only a few calls need transcoding and the network traffic pattern is well known.

The E-SBC does not perform reactive transcoding on all transcoding call flows. When you configure support for the following features, the E-SBC reserves DSP resources:

- Pooled-transcoding
- dtmf-in-audio detection
- 140-Baudot transcode
- Fax call
- RTCP generation
- FAX tone detection



The figure below illustrates the transcoding process when reactive-transcoding is enabled.



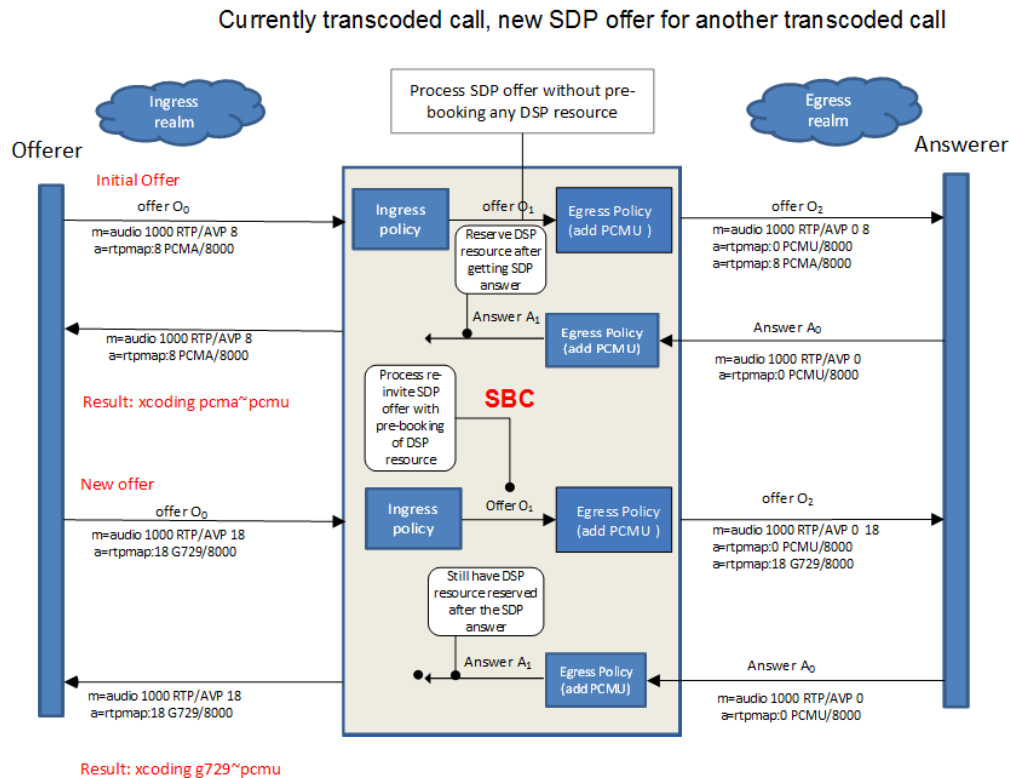
**Note:**

The DSPs will be reserved only for the call currently being transcoded. This avoids DSP exhaustion when there are multiple incoming offers.

## Reactive Transcoding Examples

### Scenario 1: Current Call : Transcoded, New offer: Transcoded

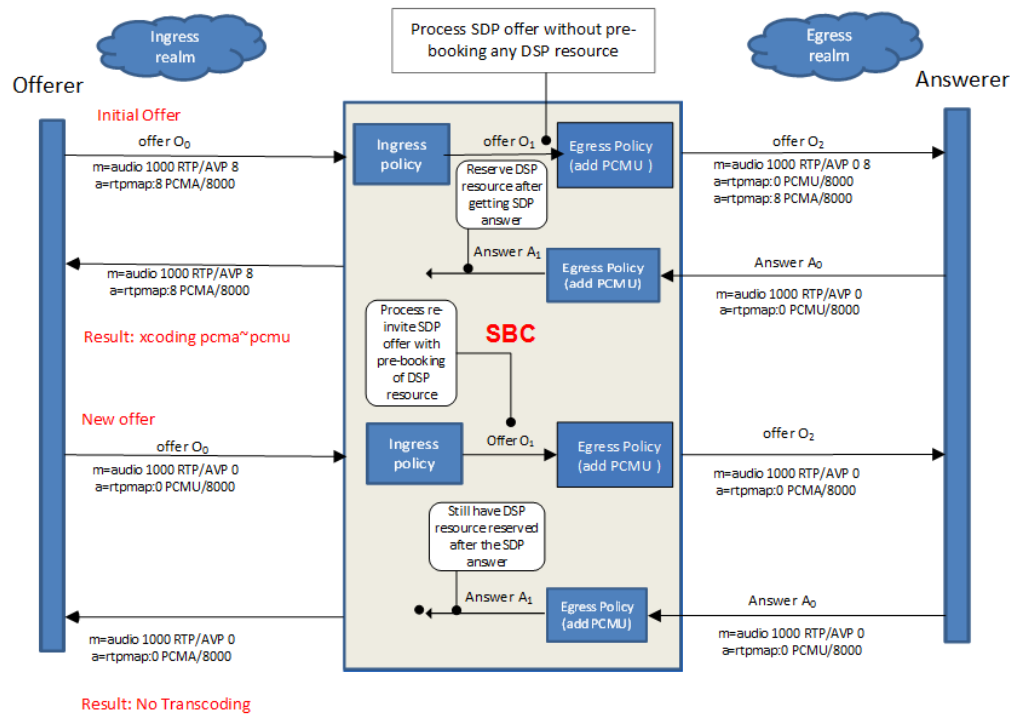
When a new offer is processed, the Oracle® Enterprise Session Border Controller checks if the call is transcoded. Oracle® Enterprise Session Border Controller pre-books DSP resources while processing new a SDP offer. After getting the SDP answer if the Oracle® Enterprise Session Border Controller finds that the call still needs transcoding, it continues to keep the DSP resources.



### Scenario 2: Current Call : Transcoded, New offer: Non-Transcoded

When a Re-INVITE offer is processed, the Oracle® Enterprise Session Border Controller checks if the call is already transcoded. Oracle® Enterprise Session Border Controller pre-books DSP resources during SDP offer of re-invite to avoid failure to grab DSP after SDP answer during DSP exhaustion case. After getting the SDP answer, if the Oracle® Enterprise Session Border Controller finds that the call does not need transcoding any more, it releases the DSP resources.

Currently transcoded call, new SDP offer for non-transcoded call

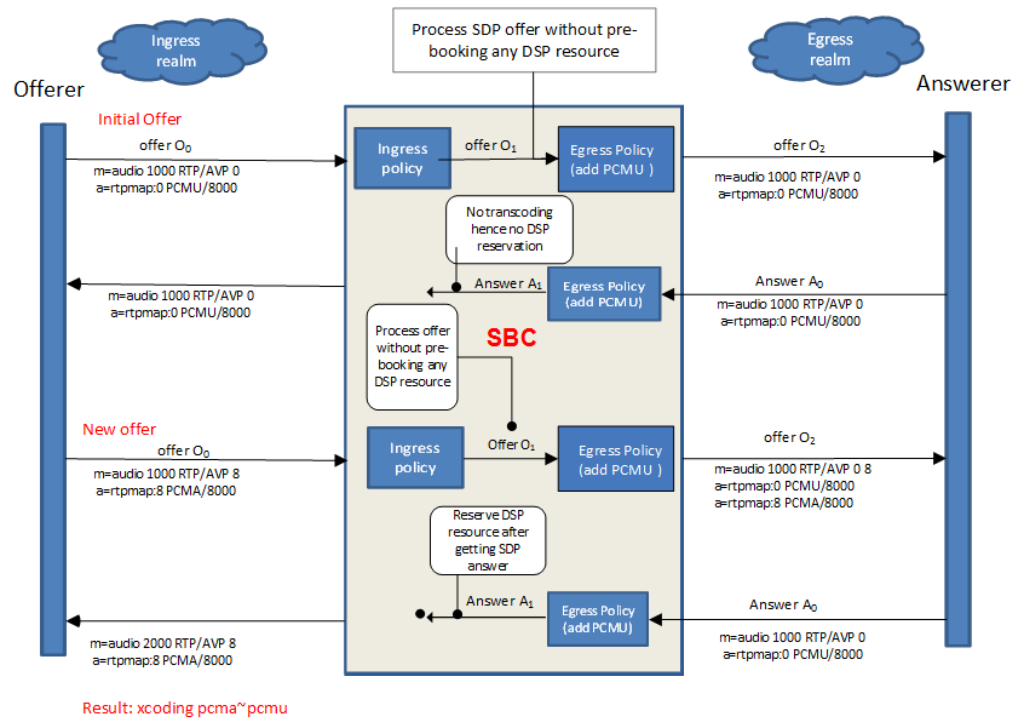


**Scenario 3: Current Call : Non-Transcoded, New offer: Transcoded**

If a Re-INVITE is received when the reactive-transcoding mode is enabled, it will be handled as a regular offer. The DSP resource will only be reserved after receiving the SDP answer, as necessary.



Currently non-transcoded call, new SDP offer for transcoded call



## Reactive Transcoding Mode Configuration

This procedure is used to configure the Oracle® Enterprise Session Border Controller to dynamically reserve DSPs:

1. Access the **media-manager-config** configuration element.

```
ORACLE# configure terminal
ORACLE(configure)# media-manager
ORACLE(media-manager)# media-manager
ORACLE(media-manager-config)#
```

2. Type **select** to begin editing.

```
ORACLE(media-manager-config)# select
ORACLE(media-manager-config)#
```

3. **reactive-transcoding**— Set this parameter to **enabled** for the SBC to perform reactive transcoding.

```
ORACLE(media-manager-config)#reactive-transcoding enabled
```

4. Type **done** to save your configuration.

# Transcoding Configuration

The Oracle® Enterprise Session Border Controller (E-SBC) uses codec policies to describe how to manipulate SDP messages as they cross the E-SBC. The E-SBC bases its decision to transcode a call on codec policy configuration and the SDP. Each codec policy specifies a set of rules to be used for determining what codecs are retained, removed, and how they are ordered within SDP.

## Codec Policy Configuration

Codec policies describe how to manipulate SDP messages as they cross the Oracle® Enterprise Session Border Controller (E-SBC). The E-SBC bases its decision to transcode a call on codec policy configuration and the SDP. Each codec policy specifies a set of rules to be used for determining which codecs are retained or removed, and how they are ordered within SDP.

When configuring transcoding, you create a codec policy and associate the policy to a realm. In the codec policy, you specify:

- Which codecs to allow and which codecs to deny within a realm.
- Which codecs to add to the SDP m= lines for an egress realm.
- The preferred order of codecs shown in an SDP m= line.
- The packetization time to enforce within a realm for transrating.

## Terms Used in Codec Policies

Understand the following definitions for terms used in codec policies.

**DTMF Codecs**—Uncompressed codecs capable of properly transmitting a Dual-tone Multi-frequency (DTMF) waveform. Supported codecs: PCMU and PCMA.

**FAX Codecs**—Uncompressed codecs capable of properly transmitting a T.30 waveform. Supported codecs: PCMU and PCMA.

**Signaling Codecs**—Non-audio codecs interleaved into a media stream, and cannot be used on their own. Supported Codecs: Telephone-event and Comfort Noise (CN).

**Comfort Noise Codecs**—Interoperable codecs used to transcode silence to Comfort Noise on the E-SBC. Supported codecs: PCMA, PCMU, and G.726.

**Disable an m= line in an SDP message**—Use to set the m= line port to 0 (RFC 3264).

**Enable an m= line in an SDP message**—Use to set the m= line port to non-0 (RFC 3264). The m= line's mode attribute (for example, sendrecv, inactive, and rtcponly) is not considered.

## Ingress Policy

Incoming SDP is first subject to the ingress codec policy. If no codec policy is specified in the realm config for the ingress realm, or the m= lines in the SDP offer are disabled (by a 0 port number), the SDP is transformed to O1 unchanged.

The ingress codec policy first removes all un-allowed codecs, as configured in the `allow-codecs` parameter by setting their port to 0 or removing the codecs from a shared m-line. For example, if two codecs share an m-line and one of them is un-allowed, the resulting m-line will not include the un-allowed codec and its attribute lines will be removed. If a single codec is used, the resulting m-line will include the codec, but its port will be set to 0 and its attribute lines will remain. Next, the remaining codecs are ordered with the `order-codecs` parameter. Ordering is when the codec policy rearranges the codecs in the SDP m= line. This is useful to suggest the codec preferences to impose within the egress realm. O1 is then processed by the egress codec policy after a realm is chosen as the destination.

In practical terms, the ingress policy can be used for filtering high-bandwidth codecs from the access realm. It can also be used for creating a suggested, prioritized list of codecs to use in the ingress realm.

## Egress Policy

The Oracle® Enterprise Session Border Controller (E-SBC) applies the egress codec policy to the SDP that was processed by the ingress policy. The E-SBC applies the egress policy the SDP exits the system into the egress realm. When no egress codec policy is defined, or the SDP's m= lines are disabled (with a 0 port), the SDP is passed untouched from the ingress policy into the egress network.

The egress codec policy first removes all disallowed codecs in the `allow-codecs` parameter (`<codec>:no`). Codecs on the `add-codecs-on-egress` list are not removed from the egress policy regardless of the how the `allow-codecs` parameter is configured. If the result does not contain any non-signaling codecs, the `ptime` attribute is removed from the SDP. Codecs not present in O1 that are configured in the `add-codecs-on-egress` parameter are added to the SDP, only when O1 contains one or more transcodable codecs.

### Note:

Transcoding can only occur for a call if you have configured the `add-codecs-on-egress` parameter in an egress codec policy.

If codecs with dynamic payload types (those between 96 and 127, inclusive) are added to the SDP, the lowest unused payload number in this range is used for the added codec.

The following rules are also applied for egress policy processing:

- When O1 contains at least one transcodable codec the system adds the codecs listed in the Egress policy to the SDP, as follows:
  - `telephone-event`—added only when O1 contains at least one DTMF-supported codec.
  - `comfort-noise`—added only when O1 contains at least one non-signaling transcodable audio codec, and when O2 contains a comfort noise interoperable codec (either present in O1 and allowed, or also added on egress).
  - `T.38`—added when there is no `T.38` and there is at least one FAX-supported codec (`G711Fall Back (FB)`) in O1. `T.38` added as a new m= image line to the end of SDP.

When the egress policy does not allow G711FB, the E-SBC disables the m= line with the FAX-supported codec. Otherwise when G711FB is allowed; pass it through the regular offer processing allowing/adding only FAX-supported codecs.

- G711FB, added when there is no G711FB and there is T.38 in O1. The system adds G711FB as a new m= audio line to the end of SDP. When the egress policy does not allow T.38, the E-SBC disables the m= image line. Otherwise if T.38 is allowed, passing it through the regular offer processing.
- When adding a codec on the egress side, the E-SBC checks to see if the payload presented is already in that direction's codec list. The system does this by matching all parameters for that codec. This check includes the codec type itself. If present, the system uses that PT. If not, the system generates a new payload for the new codec.

When the result of the egress policy does not contain any non-signaling codecs (audio or video), the m= line is disabled by setting the port number to 0.

The m= line is ordered according to the rules for the order-codecs parameter.

All attributes, a= lines,ptime attribute, and all other unrecognized attributes are maintained from O1. Appropriate attributes for codecs added by the add-on-egress parameter are added to SDP. The rtpmap and fntp parameters are retained for codecs not removed from the original offer. The result is O2.

You can use codec policies to normalize codecs and packetization time in the core realm, where the network conditions are clearly defined.

You can also use codec policies to force the most bandwidth-conserving codecs anywhere in the network.

## Post Processing

If any errors are encountered during the Ingress and Egress policy application, or other violations of RFC3264 occur, the call is rejected. If O2 does not contain any enabled m= lines at the conclusion of the initial call setup, the call is rejected. If O2 does not contain any enabled m= lines at the conclusion of a reINVITE, the reINVITE is rejected and the call reverts back to its previous state.

## allow-codecs

Use the **allow-codecs** parameter to configure the codecs that you want to allow and remove from the SDP. A blank list allows nothing, \* allows all codecs, **none** removes all codecs, **:no** blocks the specific codec or class of media, and **:force** removes all non-forced codecs.

Use the following settings to configure the **allow-codecs** parameter:

- `<codec>:no`—blocks the specific codec
- `*`—allow all codecs.
- `<codec>:force`—If any forced codec is present in an SDP offer, all non-forced codecs are stripped from the m- line.
- **audio:no**—audio m= line is disabled
- **video:no**—video m= line is disabled

For example, if you configure PCMU in the `allow-codecs` parameter, the PCMU codec, received in an SDP message is allowed to go on to the next step of transcoding processing, and all other codecs are removed.

The following list describes the order of precedence for removing codecs according to the codec policy:

1. `<codec>:no`—Overrides all other `allow-codecs` parameter actions.
2. **audio:no** and **video:no**. An `allow-codecs` line such as “`allow-codecs PCMU audio:no`” disables the PCMU `m=` line because `audio:no` has a higher precedence than the specific codec.
3. `<codec>:force`
4. `<codec>` Specific codec name and those codecs configured in the `add-codecs-on-egress` list.
5. `*`—The lowest precedence of all flags. For example “**`allow-codecs * PCMU:no`**” allows all codecs except PCMU.

## order-codecs

Use the **order-codecs** parameter to re-order the codecs in the `m=` line as the SDP is passed on to the next step. This parameter overwrites the order modified by the **add-codecs-on-egress** command, when relevant. Use the following syntax for this parameter:

- `<blank>`—Do not re-order codecs
- `*`—You can add a `<codec>` before or after the `*` which means to place all unnamed codecs before or after (the position of the `*`) the named codec. For example:
- `<codec> *`—Puts the named codec at the front of the codec list.
- `* <codec>`—Puts the named codec at the end of the codec list.
- `<codec1 > * <codec2>`—Puts `<codec1>` first, `<codec2>` last, and all other unspecified codecs in between them.
- `<codec>`—When the `*` is not specified, it is assumed to be at the end.

Any codec name is allowed in the **order-codecs** parameter, even those not defined or not transcodable. An `*` tells the `order-codecs` parameter where to place unspecified codecs with respect to the named codecs. Refer to the following examples.

- `<blank>`—Do not reorder `m=` line
- `PCMU *`—Place PCMU codec first, all others follow
- `* PCMU`—Place PCMU codec last, all others proceed PCMU
- `G729 * PCMU`—Place G729 codec first, PCMU codec last, all others remain in between
- `PCMU`—If `*` is not specified, it is assumed to be at the (PCMU `*`).

## Add on Egress

Use the **add-codecs-on-egress** parameter to add a codec to the SDP's `m=` line only when the codec policy is referenced from an egress realm (except in one 2833 scenario). The codecs you enter for this parameter are added to the front of the `m=` line. Signaling codecs are added to the end of the `m=` line.

Transcoding can only occur if this parameter is configured. There is a special scenario for 2833 support where the `add-codecs-on-egress` parameter is configured for an ingress realm. See [RFC 2833 Scenario 2](#) for details.

## Packetization Time

Use the **packetization-time** parameter to specify a media packetization time in milliseconds (ms) to use within the realm referencing this codec policy. You must also enable the `force-ptime` parameter to enable transcoding in conjunction with configuring the packetization time. See [Transrating](#) for more information.

## Set a User-Defined Ptime per Codec

To change the default packetization time (ptime) on the Oracle® Enterprise Session Border Controller for a specific codec, you must create a media profile configuration element. In the **parameter** parameter, you can set the ptime to the value you want.

- Confirm that the system is in Superuser mode.

If you are adding ptime to a pre-existing media profile, then you must select the configuration that you want to edit (using the ACLI `select` command). If you are adding ptime to an undefined media profile, you must create the profile first.



### Note:

The `frames-per-packet` parameter in the media profile configuration element is not used for setting a user defined ptime for that codec.

To configure a new ptime value for a codec:

1. Access the **media-profile** configuration element.

```
ORACLE# configure terminal
ORACLE(configure)# session-router
ORACLE(session-router)# media-profile
ORACLE(media-profile)#
```

2. **name**—Type the name of the codec for which you are creating a new default ptime.

```
ORACLE(media-profile)# name pcmu
```

3. **payload-type**—Enter the well-known payload type for this codec.

```
ORACLE(media-profile)# payload-type 0
```

4. **parameter**—Set the ptime by typing **parameter**, a Space, **ptime=**, the new ptime value. Then press Enter. For example:

```
ORACLE(media-profile)# parameter ptime=40
```

5. Type **done** to save your configuration.

## Name a Codec Policy

The name of the codec policy is important not only because it uniquely identifies the policy, but because it is the name you will enter into the **codec-policy** parameter in your realm configuration. It is important to apply the correct policy to the appropriate realm.

To set the codec policy's name:

- **name**—Set the name for this codec policy, and note it for future reference when you apply codec policies to realms. This parameter is required, and has no default.

```
ORACLE(codec-policy)# name private
```

## Order Codecs

In the codec policy, you can specify the order that codecs appear in the SDP offer or answer.

To configure an order which codecs appear in the offer:

- **order-codecs**—Enter the order in which you want codecs to appear in the SDP offer or answer. See "order-codecs" for the possible ways to set the order.

```
ORACLE(codec-policy)# order-codecs G711 * G729
```

## Allow, Remove, and Add Codecs for Transcoding

The Oracle® Enterprise Session Border Controller (E-SBC) allows and removes codecs by way of the following parameters in codec-policy.

### **allow-codecs**

The E-SBC uses the list that you create in the **allow-codecs** parameter in codec-policy to pass through the codecs that you want by allowing them to remain in the SDP for the next step. The E-SBC removes codecs that do not match entries on the list. This parameter is required.

Enter a list of codecs that are allowed to pass through the E-SBC. Use the syntax in the Transcodable Codecs section of this chapter. To allow all codecs, enter an asterisk (\*).

```
ORACLE(codec-policy)# allow-codecs *
```

When multiple items are added, enclose them in quotes. For example:

```
ORACLE(codec-policy)# allow-codecs G729 G711 AMR
```

### add-codecs-on-egress

The E-SBC uses the list that you create in the **add-codecs-on-egress** parameter in codec-policy to set the codecs that the E-SBC adds to an offer when they are not present in the offer. This parameter applies only to the egress policy.

Enter the codecs that you want added to the SDP offer for the egress codec policy. If you leave this parameter blank, the E-SBC does not add codecs to the SDP answer. You cannot use this parameter as a wildcard.

To remove items from the **allow-codecs** list, simply replace the **add** command you see in these example with **delete** and remove the items you want.

```
ORACLE(codec-policy)# add-codecs-on-egress G729
```

### Remove Codecs

To remove items from the **allow-codecs** and **add-codecs-on-egress** lists, replace the **add** command with **delete** and remove the items you want.

```
ORACLE(codec-policy)# delete-codecs G729
```

```
ORACLE(codec-policy)# delete-codecs-on-egress G729
```



#### Note:

When you need to modify the list of configured codecs, you must enter the complete list at one time.

## Configure a Codec Policy

- Confirm that the system is in Superuser mode.

You can use a single codec policy for any number of realms.

1. Access the **codec-policy** configuration element.

```
ORACLE# configure terminal
ORACLE(configure)# media-manager
ORACLE(media-manager)# codec-policy
ORACLE(codec-policy)# select
```

2. Do the following:

Name	Type a name for this policy.
Allow codecs	Type the name of the codecs that you want to allow on ingress, any exceptions. See "allow-codecs."
Add codecs on egress	Type the names of the codecs that you want to add on egress. See "Add on Egress."



---

Order codecs	Type the names of the codecs in the order you want them processed. See "order-codecs."
Packetization time	Set the time, in milliseconds, that you want the system to wait before enforcing packetization on the outgoing SDP offer. See "Packetization Time." Requires enabling Force Ptime. Default: 20. Range: 0-4294267295.
Force ptime	Enable to enforce the packetization time.
Secure dtmf cancellation	Enable to completely remove all DTMF tones on ingress to make them undetectable on egress. Default: Disabled.
Dtmf in audio	Set how you want the system to handle DTMF in audio streams. Default: Disabled. Valid values: Disabled   Preferred   Dual.
Tone detect renegotiate timer	Set the time in milliseconds that you want the system to wait before sending a REINVITE if the SBC does not receive a REINVITE from the endpoint. Default: 500. Range: 50-32000.
Reverse fax tone detection reinvoke	Enable to force the SBC to send a REINVITE to a realm other than the one on which the FAX tone detection is enabled. Default: Disabled.
Evrcc tty baudot transcode	Enable to transcode EVRC, TTY, and TDD calls to Baudot in EVRC-G7.11 transcoded calls.

---

3. Type **done** to save your configuration.

## Configure Transrating

The following procedure explains how to configure transrating for a codec policy. You must apply this codec policy as an egress codec policy.

- Confirm that the system is in Superuser mode.

If you are adding support for this feature to an existing configuration, you must select the specific configuration instance using the ACLI **select** command.

To configure forced ptime for a codec policy:

1. Access the **codec-policy** configuration element.

```
ORACLE# configure terminal
ORACLE(configure)# media-manager
ORACLE(media-manager)# codec-policy
ORACLE(codec-policy)# select
```

2. Select the **codec-policy** object to edit.

```
ORACLE(codec-policy)# select
<name>:
1: name=cp1
2: name=cp2
```

```
selection: 2
ORACLE(codec-policy)#
```

3. **force-ptime**—Set this parameter to **enabled** to enable forced ptime for this codec policy.
4. **packetization-time**—Enter the ptime in milliseconds (ms) to use in the realm where this codec policy is active. Default: 20ms. Valid values: 10, 20, 30, 40, 50, 60, 70, 80, 90 ms.
5. Type **done** to save your configuration.

## Apply a Codec Policy to a Realm

After you configure a codec policy, you apply it to a realm by policy name.

- Confirm that the system is in Superuser mode.

To apply a codec policy to a realm:

1. Access the **realm-config** configuration element.

```
ORACLE# configure terminal
ORACLE(configure)# media-manager
ORACLE(media-manager)# realm-config
ORACLE(realm-config)#
```

2. Select the **realm-config** object to edit.

```
ORACLE(realm-config)# select
identifier:
1: realm01 left-left:0 0.0.0.0
```

```
selection: 1
ORACLE(realm-config)#
```

3. **codec-policy**—Enter the name of the codec policy that you want to apply to this realm. This value is the same as the one you entered in the name parameter for the codec policy you want to use for this realm. There is no default for this parameter.

```
ORACLE(realm-config)# codec-policy private
```

4. Type **done** to save your configuration.

## Secure DTMF Cancellation

For security and privacy reasons, you can remove all Dual-Tone Multi-Frequency (DTMF) information that the Oracle® Enterprise Session Border Controller (E-SBC) processes by enabling `secure-dtmf-cancellation` within the codec-policy. For example, you might want to cancel all DTMF tones when processing credit card numbers, debit card numbers, PIN numbers, and other DTMF-based passwords that you want to remove from the media stream. When an incoming call requires DTMF cancellation, the E-SBC uses the built-in detection and cancellation mechanism to completely remove all sixteen DTMF tones on ingress making the tones undetectable on egress. (0-9, \*, #, A,B,C,D)

In contrast to standard DTMF cancellation, which leaves some residual signal energy at the beginning and ending of each DTMF digit, `secure-dtmf-cancellation` removes all signal energy from the media stream by adding an extra 10µs to the leading and trailing edges of the DTMF tones. The result is silence for the entire duration of each DTMF digit because the system mutes all audio when you suppress DTMF tones with `secure-dtmf-cancellation`.

The E-SBC supports secure DTMF cancellation for all use cases and call scenarios that include in-band DTMF detection, such as DTMF in-band to SIP-INFO, DTMF in-band to RFC2833, and DTMF in-band to None. Oracle recommends that you use the following preferred codecs to ensure reliable in-band DTMF detection on ingress:

- PCMU
- PCMA
- G.726-32 (and higher)
- G.722

Secure DTMF cancellation supports hardware transcoding only. You must own the transcoding license and you need transcoding resources, such as a Digital Signal Processor (DSP). In addition to enabling `secure-dtmf-cancellation` in the codec policy, you must enable `dtmf-in-audio` in the codec policy. You can enable `secure-dtmf-cancellation` and `dtmf-in-audio` in the ACLI and the Web GUI.

 **Note:**

An endpoint configured as secure at the session startup stays in the secure mode throughout the call because you cannot re-configure the DTMF cancellation mode during the call.

## Enable Secure DTMF Cancellation

When you want to completely remove all traces of Dual-Tone Multi-Frequency (DTMF) information that the Oracle® Enterprise Session Border Controller (E-SBC) processes, enable `secure-dtmf-cancellation` to make the DTMF tones undetectable.

`Secure-dtmf-cancellation` requires that you also enable `dtmf-in-audio`. If `dtmf-in-audio` is not already enabled, you can enable both attributes in the following procedure.

1. Access the **codec-policy** configuration element.

```
ORACLE# configure terminal
ORACLE(configure)# media-manager
ORACLE(media-manager)# codec-policy
ORACLE(codec-policy)# select
```

2. Select the **codec-policy** object to edit.

```
ORACLE(codec-policy)# select
<name>:
1: name=cp1
2: name=cp2
```

```
selection: 2
ORACLE(codec-policy)#
```

3. Do the following:
  - dtmf-in-audio—Type **enabled**.
  - secure-dtmf-cancellation—Type **enabled**.
4. Type **done** to save your configuration.

## Default Media Profiles

The Oracle® Enterprise Session Border Controller (E-SBC) contains a set of default media profiles that define characteristics of well-known IANA codecs. You cannot view the default media profiles configurations, but you can override them by configuring identically-named media profile configuration elements.

Transcodable codecs are a subset of the default media profiles, which the E-SBC can transcode between.

## Preferred Default Payload Type

When the Oracle® Enterprise Session Border Controller (E-SBC) adds a codec with a dynamic payload type to SDP, it uses the lowest unused payload number. You can configure a preferred payload type for a dynamic codec by creating an override media profile. The override makes the E-SBC use your preferred payload type for insertion into SDP. If you configure a dynamic codec to use a preferred payload type and that payload type is already in use, the codec will still be inserted into SDP, but with the first available dynamic payload type.

For example, suppose you create a media profile for telephone-event with a payload type of 101. If telephone-event is added to SDP, and payload type 101 is already in use in the SDP, the E-SBC will use the first available payload type in the 96-127 range when adding telephone-event.

## Redefining Codec Packetization Time

You can configure a media profile with a packetization time (ptime) that overrides the default ptime of the codec. Transcoding functions look up and use default ptimes when not specified in offered or answered SDP. The default ptime for most audio codecs is 20ms, but some are 30ms.

To change the default ptime for a codec, you must create a media profile that overwrites the default ptime parameter with your new ptime. When SDP is received with no 'a= ptime' attribute or when adding the codec to egress SDP, the system uses the newly configured ptime.

To set a new default ptime for a media profile, type "ptime=<x>" in the parameters parameter, where <x> is the new default ptime.

## mptime Support for Packet Cable

The SDP specification lacks the ability to specify unique packetization times (ptime) per codec when more than one codec is listed in an m= line. The ptime attribute is not related to a specific codec but to the entire m= line. When multiple codecs appear on

a single m= line, the PacketCable mptime attribute can specify different packetization times for each codec.

The Oracle® Enterprise Session Border Controller (E-SBC) adheres to PKT-SP-NCS1.5-I01-050128 and PKT-SP-EC-MGCP-I06-021127 for processing and generating mptime. The mptime line uses an integer to indicate the ptime for each corresponding codec in the m= line. The dash character, "-", on an mptime line is used for non-packetized codecs, such as CN or telephone-event.

When the E-SBC receives an invalid mptime, it is ignored and removed. When a valid mptime is received in the incoming SDP, the E-SBC uses its values for the ptimes of each corresponding codec and sends a valid mptime line in the outgoing SDP.

Valid:

```
m=audio 10000 RTP/AVP 0 96 8
a=mptime:20 - 30
a=rtpmap:96 telephone-event/8000
```

Valid: 'ptime' attribute is ignored

```
m=audio 10000 RTP/AVP 0 8
a=mptime:20 30
a=ptime:30
```

Invalid: dash cannot be first mptime value

```
m=audio 10000 RTP/AVP 96 0
a=mptime: - 20
```

When E-SBC includes an mptime in an outgoing SDP, it always adds a ptime attribute with the value of the most preferred codec. This is done to increase the interoperability with devices that do not support mptime.

## Media Profile Configuration

Media profiles must be created and then defined when you want to override the Oracle® Enterprise Session Border Controller's default media profiles.

## Media Type Subnames

You can define multiple versions of a media profile for a single codec by using the subnames feature. You can then reference the new media profile by a combination of the media profile name and media profile subname.

Some media types are not unique per just their value in an SDP m= line, they must be uniquely identified by looking at additional SDP parameters. For example, you can define a media profile for G729, when only the parameter and value **annexb=yes** is present in the SDP. By creating a media profile + subname that defines both a media type and parameter, you can perform various operations on G729 only when **annexb=yes** is encountered.

Some applications of media type subnames are:

- maintaining different versions of the same codec with different bandwidth ceilings
- maintaining different versions of the same codec with different ptimes
- grouping codecs by using customer as a subname
- grouping codecs by using realm as a subname

## SDP Parameter Matching

This feature matches parameters in the **a=fmtp**, codec-specific SDP **a=** line. It does not try to match a global **m=** line attribute like **a=ptime**.

## Using Subnames with Codec Policies

Media profiles are defined and referenced in the ACLI by a name and subname in the following format

```
<name>::<subname>
```

If no subname has been created for a media profile, you may continue using the media profile name without any subname specifier.

For example, to remove a media profile and subname configured as PCMU::customer1 from all SDP entering the egress realm, you would configure the codec policy **allow-codecs** parameter as follows:

```
allow-codecs PCMU::customer1:no
```

### media-profile subtype Configuration Restrictions

**media-profiles** are subject to stringent configuration restrictions. You must avoid creating a **media-profile** with configured **subtype** parameter that does not substantively differ (in all additional parameters) from the default (unconfigured) media profile. An example of an invalid configuration is **media-profile, name** of g729, and a **media-profile, subname** of g729, with no additional parameter configurations other than the default values. Such configuration can cause unexpected behaviors and must be avoided.

## Subname Syntax With the Wildcard Character

You can use the wildcard character in one or both portions (name and subname) of a media type and subname pair:

- When you use the wildcard character the **name** portion of the value, you can provide a specific subname that the Oracle® Enterprise Session Border Controller (E-SBC) uses to find matching media profiles.
- When you use the wildcard character in the subname portion of the value, you can provide a specific **name** that the E-SBC uses to find matching media profiles.

The following table defines and explains using a subname with the wildcard character and shows the syntax:

Syntax	Example Value	Description
<name>	PCMU	Matches any and all media profiles with the name value configured as PCMU. This entry has the same meaning as a value with this syntax: <name>::*.
<name>::	PCMU::	Matches a media profile with the name with the name value configured as PCMU with an empty subname parameter.
<name>::*	PCMU::*	Matches any and all media profiles with the name value configured as PCMU with any and all subname configured.
<name>::<subname>	PCMU::64k	Matches a media profiles with the name with the name value configured as PCMU with the subname parameter set to 64k.
*	*	Matches anything, but does not have to be a defined media profile.
*::*	*::*	Matches any and all media profiles, but requires the presence of media profile configurations.
*::<subname>	*::64k	Matches all media profiles with this subname. You might have a group of media profiles with different names, but the same subname value.
*::	*::	Matches any media profiles with an empty subname parameter.
::	::	Invalid
::*	::*	Invalid

## Wildcard Character in add-codecs-on-egress Limitation

It is important to note that you may not configure **add-codecs-on-egress** with a wildcard character in a subname in a codec policy. You may only add a specific instance of a media type.

Valid:

```
add-codecs-on-egress PCMU
add-codecs-on-egress PCMU::customer1
```

Invalid:

```
add-codecs-on-egress PCMU::*
```

## Configure Media Type and Subname

To use media type subnames with a codec policy, you must first configure a media profile and subname. Then you can configure a codec policy with a media type and subname pair for your application

To use configure a media type and subname:

1. Access the **media-profile** configuration element.

```
ORACLE# configure terminal
ORACLE(configure)# session-router
ORACLE(session-router)# media-profile
ORACLE(media-profile)#
```

2. **name**—Type the name of the codec for which you are creating a new default ptime.

```
ORACLE(media-profile)# name g729
```

3. **subname**—Enter a description for the use of this subname

```
ORACLE(media-profile)# subname annexb=yes
```

You may now configure this subname's unique attributes. PCMU is created with ptime of 30 in this example.

4. **parameters**—Set the ptime by typing **parameter**, a Space, **ptime=**, the new ptime value. Then press Enter. For example:

```
ORACLE(media-profile)# parameter annexb=yes
```

 **Note:**

Remember to configure all additional, required media profile parameters, or they will inherit default values.

5. Type **done** to save your configuration.

## Configure a Codec Policy with a Media Type with a Subname

To configure a codec policy with a media type with subname:

1. Access the **codec-policy** configuration element.

```
ORACLE# configure terminal
ORACLE(configure)# media-manager
ORACLE(media-manager)# codec-policy
ORACLE(codec-policy)# select
```

2. Select the **codec-policy** object to edit.

```
ORACLE(codec-policy)# select
<name>:
1: name=cp1
2: name=cp2

selection: 2
ORACLE(codec-policy)#
```



3. **allow-codecs**—Enter a list of codecs that this codec policy allows or denies from passing through the Oracle® Enterprise Session Border Controller. To allow all codecs, enter an asterisk (\*).

```
ORACLEcodec-policy# allow-codecs g729::annexb=yes:no
```

4. Type **done** to save your configuration.

## Updating the b=AS line for Transcoded Calls

The Oracle® Enterprise Session Border Controller (E-SBC) can evaluate transcoding call scenarios and mitigate between end stations and policy servers to request appropriate bandwidth. You can configure a specific value to be included in the SDP's b=AS line to ensure that it requests the correct bandwidth for transcoded calls. Depending on the transcoding scenario, this value may or may not be used.

The E-SBC can change the egress answer b=AS line in a call to a value based on the media profile configuration of the codec to which the media is being transcoded. This ensures that the E-SBC makes bandwidth requests that are applicable to the leg on which that codec is used.

Use the following syntax to specify 124 kbps for the b=AS line a in media profile.

```
(media-profile)#as-bandwidth 124
```

The default value is zero, meaning it is disabled. The range is from 0 to 4294967295, measured in kbps.

The E-SBC can modify a b=AS: line at both the SDP media level and SDP session level. Session level b=AS modification does not use an **as-bandwidth** setting.

The E-SBC updates a media level b=AS: line to the configured **as-bandwidth** value only for the Egress SDP Answer, not the offer.

The E-SBC modifies a session level b=AS: value only if every m-line in the SDP also has a b=AS: value. When an incoming message has SDP with a session level b=AS value, and every m-line in the SDP has a b=AS value, then the E-SBC updates the outgoing message session level b=AS value to the sum of the transcoding/IPv4-IPv6 adjusted media level b=AS values in the outgoing message. When an incoming message has SDP with a session level b=AS value, but not every m-line in the SDP has a b=AS value, the E-SBC does not modify the session level b=AS value in the outgoing message.

When the E-SBC updates a b=AS: line in the egress answer's SDP to a configured **as-bandwidth** value, and the original ingress offer SDP already had a b=AS: line, the E-SBC changes the egress answer SDP's b=AS: back to the ingress offer's b=AS: value, not to the configured **as-bandwidth** value.

Important operational considerations include:

- The value can be understood as IP neutral, meaning the system recognizes when the call is IPv4 to IPv6 interworking, and adjusts the value of the b=AS line to compensate for the IP version of the applicable leg. The E-SBC does this for both transcoded and non-transcoded calls in both the egress offer and answer.
- The configuration has no effect when the initial message received has no b=AS line.

- The configuration has no effect when the m line is not transcoded.
- The system does not change a session b=AS value when the SDP has a media line with b=AS value of 0.

## Codec and Conditional Codec Policies for SIP

The Oracle® Enterprise Session Border Controller (E-SBC) can add, strip, and reorder codecs for SIP sessions. This builds on the E-SBC pre-existing abilities to route by codec and re-order one codec in an SDP offer by allowing you to configure the order of multiple codecs and to remove specific codecs within the media descriptions in SDP offers.

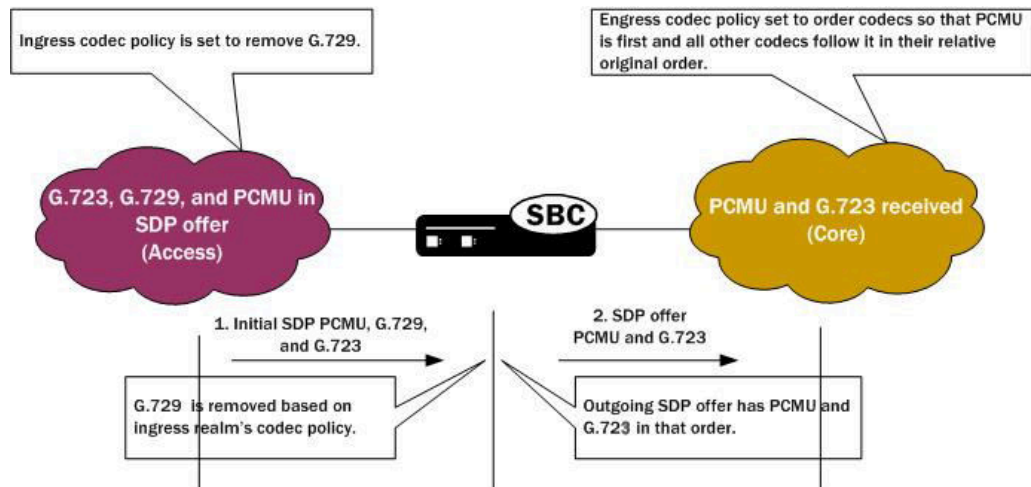
You can enable the E-SBC to perform these operations on SDP offers by configuring codec policies. Codec policies are sets of rules that specify the manipulations that you want the E-SBC to perform on SDP offers. The E-SBC applies the policies on an ingress and egress basis using the realm and session agent configurations.

E-SBC supports the following types of codec policies:

- Ingress policy—applies to the SDP offer for incoming traffic
- Egress policy—applies to the SDP offer for traffic leaving the E-SBC
- Conditional policy—applies to the SDP offer for traffic leaving the E-SBC. A conditional policy differs from an egress policy in providing the capability to perform standard codec manipulations (add, strip and re-order) dynamically, based on the codec list and associated parameters contained in the original SDP offer. See [Conditional Codec Policies](#) for specific details regarding the use and construction of conditional policies.

The E-SBC applies codec policies during the offer phase of media format negotiation. When you enable codec manipulation, the E-SBC performs the modification according to the specific policy and forwards the traffic.

For example, when the E-SBC receives a SIP INVITE with SDP, it refers to the realm through which the INVITE arrived and performs any manipulations specified by the ingress codec policy that you assigned to the ingress realm. With the media description possibly changed according to the ingress codec policy, the E-SBC passes the SDP offer to the outgoing realm and applies the egress codec policy. Note that the SDP to be evaluated by the egress codec policy may match the original SDP, or it may have been changed during transit through the ingress realm. After applying the egress coded policy, the E-SBC forwards the INVITE.



Because the offer-answer exchange can occur at different stages of SIP messaging, the assigned ingress and egress roles follow the media direction rather than the signaling direction. It might be, for example, that the offer is in an OK that the E-SBC modifies.

You can apply codec policies to realms and to session agents. Note that codec policies configured in session agents take precedence over those applied to realms. The system does not require both an ingress policy and an egress policy for either realms or for session agents. When either one is unspecified, no modifications take place on that side. When you specify neither an ingress nor egress policy, the E-SBC forwards SDP offers as received.

## Codecs in Relationship to Media Profiles

For each codec that you specify in a codec policy, there must be a corresponding media profile configuration on the Oracle® Enterprise Session Border Controller. You configure media profiles in the ACLI by way of the session-router configuration. In the profiles, you can specify codec type, transport protocol, required bandwidth, and a number of constraints.

## Manipulation Modes in Codec Policies

You can configure a codec policy to perform several different kinds of manipulations:

- **Allow**—List of codecs that are allowed for a certain codec policy. When a codec does not appear on the allow list, the Oracle® Enterprise Session Border Controller (E-SBC) removes it. You can use the wildcard character (the asterisk \*) in this list, to allow all codecs. You can create the following exceptions to the allow list that contains a wildcard.
  - You make an exception to the wildcard list of codecs by entering the codecs that are not allowed with a **no** attribute. This tells the E-SBC to allow all codecs except the ones you specify.

```
ORACLE(codec-policy)# allow-codecs (* PCMA:no)
```

- You can also create exceptions to allow lists such that audio or video codecs are removed. However, when the allow list specifies the removal of all audio codecs and an INVITE arrives at the E-SBC with only audio codecs, the

E-SBC behaves in accordance with RFC 3264. This means that the resulting SDP contains one attribute line, with the media port for the media line set to 0. The terminating side supplies new SDP in its reply because the result of the manipulation is the same as an INVITE with no body.

```
ORACLE(codec-policy)# allow-codecs (* audio:no)
```

- Order—List of the codecs where you specify their preferred order in the outgoing media offer. The E-SBC arranges matching codecs according to the rule you set, and any remaining codecs are added to the list in the same relative order as in the incoming media offer. When your list specifies a codec that is not present, the ordering proceeds as specified but skips the missing codec. You can use an asterisk (\*) as a wildcard in this list, too. The placement of the asterisk is important, as shown in the following examples:

- For an order rule set this way

```
ORACLE(codec-policy)# order (A B C *)
```

codecs A, B, and C will be placed at the front of the codec list in the order specified. All other codecs in the offer will follow A, B, and C in the same relative order as in the original SDP offer.

- For an order rule set this way:

```
ORACLE(codec-policy)# order (* A B C)
```

codecs A, B, and C will be placed at the end of the codec list in the order specified. All other codecs in the offer will come before A, B, and C in the same relative order as in the original SDP offer.

- For an order rule set this way

```
ORACLE(codec-policy)# order (A * B C)
```

codec A will be placed at the beginning of the codec list, followed by all other codecs in the offer in the same relative order as in the original SDP offer. B and C will end the list.

- Force—An attribute you can use in the allow list with one codec to specify that all other codecs are stripped from the outgoing offer. You can specify multiple forced codecs in your rules.
  - When you set multiple codecs in the allow list and one of them is forced, the outgoing offer contains the forced codec.
  - When you set multiple codecs in the allow list and the one that is forced is not present in the offer, the E-SBC selects a non-forced codec for the outgoing offer.

```
ORACLE(codec-policy)# allow (PCMU G729:force)
```

You cannot use the force attribute with an allow list that contains a wildcard.

- No—An attribute that allows you to strip specified codecs or codec types from an allow list that contains a wildcard.

```
ORACLE(codec-policy)# allow (* PCMA:no)
```

## In-Realm Codec Manipulation

In addition to applying codec policies in realms, the realm configuration supports a setting for determining whether or not you want to apply codec manipulation to sessions between endpoints in the same realm.

You can use In-realm codec manipulation for simple call flows that traverse two realms. When the originating and terminating realms are the same, the Oracle® Enterprise Session Border Controller (E-SBC) checks to see if you enabled this capability. If you enabled it, the E-SBC performs the specified manipulations. When you do not enable this capability, or when you disable the realm's media management in realm (**mm-in-realm**) setting, the E-SBC does not perform codec manipulations.

For more complex call scenarios that involve call agent or re-initiation of a call back to the same realm, the E-SBC does not perform in-realm codec manipulation.

## Conditional Codec Policies

A codec policy performs actions conditionally when any of its parameters includes a conditional value. A conditional value includes a target codec paired with a requirement for executing the action. The Oracle® Enterprise Session Border Controller manipulates SDP according to this value pair when the ingress SDP or a previous manipulation to the SDP meets the condition criteria. You can configure conditional manipulation by extending upon the syntax of the following core parameters in the codec-policy configuration element:

- allow-codecs,
- add-codecs-on-egress, and
- order-codecs.

The system establishes conditions on a codec policy as a sequence of allowing, adding, and re-ordering. Each step in this sequence can occur with or without conditions. Allowing is required. Any applied policy, whether or not it is conditional, without an allow blocks all traffic. Allow all, using the wildcard asterisk character is a typical setting. Adding applies only to egress policies.

To establish conditions, you configure the parameter with pairs that consist of target codecs followed by the conditions that trigger the action. Each policy parameter can include one or more of these pairs. When configuring a parameter with multiple values, you enclose them within parenthesis, whether or not there are conditions.

The system processes all policies serially, regardless of whether any includes a condition. The system first determines which codecs to allow, and then which to add (none on ingress), then the codec order. The system also processes parameter values serially. You must configure all parameter values based on what may have been changed previously. This is particularly important when using both ingress and egress codec policies. Consistent with this serial concept, egress policies operate on what the system presents to them, which includes the results of any ingress policies.

Note that conditional **order-codecs** are often done used in conjunction with **add-codecs-on-egress** to define the location of codecs you add to the list presented at egress. When **order-codecs** is not used, the system places all added codecs at the end of the list in the order they were added. It is often useful to place an added codec in a different position, using **order-codecs**.

## Conditional Codec Lists

Conditional codec policies are constructed using existing ACLI configuration commands — **allow-codecs**, **add-codecs-on-egress**, and **order-codecs** — in conjunction with keywords and operators. Conditions are defined by a continuous character string (no spaces allowed) that starts with the **:(** character sequence and is terminated by a closing parenthesis. For example,

```
ORACLE(codec-policy)# allow-codecs PCMU:(!G729)
```

which can be interpreted as — allow PCMU if the G729 codec is not in the SDP offer after ingress codec policy processing.

An example of using **add-codecs-on-egress** is:

```
ORACLE(codec-policy)# add-codecs-on-egress PCMU:(PCMA)
```

which can be interpreted as — add PCMU if PCMA codec is in the SDP offer after ingress codec policy processing.

If PCMA is in the SDP offer after ingress codec policy processing, the **add-codecs-on-egress** ACLI command is treated as **add-codecs-on-egress PCMU**. If PCMA is not in the SDP offer after ingress codec policy processing, **add-codecs-on-egress** is treated as empty.

Both the conditioned codec and/or the condition itself can contain subnames. For example,

```
ORACLE(codec-policy)# add-codecs-on-egress AMR::ONE:(AMR::TEST0)
```

which can be interpreted as — add AMR::ONE if AMR::TEST0 codec is in the SDP offer after ingress codec policy processing.

Codecs contained in the condition can be wildcarded. For example,

```
ORACLE(codec-policy)# add-codecs-on-egress AMR::ONE:(AMR::*)
```

which can be interpreted as — add AMR::ONE if any AMR codec is in the offer after ingress codec policy processing.

An example of using **order-codecs** is:

```
ORACLE(codec-policy)# order-codecs (PCMU:(PCMU) *)
```

which can be interpreted as — set the codec order to PCMU followed by the list after ingress codec policy processing if PCMU is not present. When the system adds a

codec, the codec goes to the end of the offered list. This conditional format may be used to place an added codec at the front of list.

## Conditional Codec Operators

Three logical operators are available to construct conditional lists

the OR operator (|)

```
ORACLE(codec-policy)# add-codecs-on-egress AMR::ONE:(AMR::*|PCMU)
```

which can be interpreted as — add AMR::ONE if any AMR:: codec is in the SDP offer after ingress codec policy processing, or if PCMU is in the SDP offer after ingress codec policy processing.

the AND operator (&)

```
ORACLE(codec-policy)# add-codecs-on-egress AMR::ONE:(AMR::*&PCMU)
```

which can be interpreted as — add AMR::ONE if any AMR:: codec is in the SDP offer after ingress codec policy processing, and if PCMU is in the SDP offer after ingress codec policy processing.

the NOT operator (!)

```
ORACLE(codec-policy)# add-codecs-on-egress AMR::ONE:(!AMR::*)
```

which can be interpreted as — “add AMR::ONE if no AMR:: codec is in the SDP offer after ingress codec policy processing.

Each operator applies only to the codec immediately following it. Operators are processed left to right until all conditions have been tested. The condition result is accumulated as each of the conditions is processed. For example:

```
ORACLE(codec-policy)#add-codecs-on-egress AMR::ONE:  
(!AMR::TEST1&AMR::TEST0|AMR::TEST2)
```

- Test SDP offer for AMR::TEST1 (a NOT operation).  
If AMR:TEST1 is NOT present, set accumulated result to TRUE.  
If AMR:TEST1 is present, set accumulated result to FALSE.
- Test SDP offer for AMR::TEST0 (an AND operation).  
If AMR is present, no change to accumulated result.  
If AMR is not present, set accumulated result to FALSE.
- Test SDP offer for AMR::TEST2 (an OR operation).  
If AMR is present, set accumulated result to TRUE.  
If AMR is not present, no change to accumulated result.

Multiple conditions can be concatenated; in this case, individual conditions are separated by SPACE characters and the ACLI command argument is bracketed with double quotation marks ...). For example:

```
ORACLE(codec-policy)#add-codecs-on-egress ("PCMU G729:(G726) G723:(PCMA)")
```

- PCMU is unconditionally added to the egress codec list.
- Process the first condition — G729:(G726)  
If G726 is present, the result is TRUE; add G729 to the egress codec list.  
If G726 is not present, the result is FALSE; do not add G729 to the egress codec list.
- Process the second condition — G723:(PCMA)  
If PCMA is present, the result is TRUE; add G723 to the egress codec list.  
If PCMA is not present, the result is FALSE; do not add G723 to the egress codec list.

## Codec Policies Instructions and Examples

The following topics contain instructions and examples show how to configure codec policies and apply them to realms and session agents. The instructions and examples also show you how to configure settings for in-realm codec manipulation.

### Create a Codec Policy

- Confirm that the system is in Superuser mode.

To create a codec policy:

1. Access the **codec-policy** configuration element.

```
ORACLE# configure terminal
ORACLE(configure)# media-manager
ORACLE(media-manager)# codec-policy
ORACLE(codec-policy)# select
```

2. **name**—Enter the unique name for the codec policy. This is the value you will use to refer to this codec policy when you apply it to realms or session agents. This parameter is required and is empty by default.
3. **allow-codecs**—Enter the list of codecs to allow for this codec policy. In your entries, you can use the asterisk (\*) as a wildcard, the force attribute, or the no attribute so that the allow list you enter directly reflects your configuration needs. Enclose entries of multiple values in parentheses ( ( ) ). For more information, see [Manipulation Modes](#).

The codecs that you enter here require corresponding media profile configurations.

**allow-codecs**—Use to construct ingress, egress, or conditional codec policies. For details of conditional codec policies, see [Conditional Codec Policies](#).

4. **add-codecs-on-egress**—Enter the codecs that the Oracle® Enterprise Session Border Controller adds to an egress SDP offer when that codec is not already



there. This parameter applies only to egress offers. For more information, see [Manipulation Modes](#).

The codecs that you enter here must have corresponding media profile configurations.

**add-codecs-on-egress**—Use to construct ingress, egress, or conditional codec policies. For more information on conditional codec policies, see [Conditional Codec Policies](#).

5. **order-codecs**—Enter the order in which you want codecs to appear in the outgoing SDP offer. You can use the asterisk (\*) as a wildcard in different positions of the order to directly reflect your configuration needs. Enclose entries of multiple values in parentheses ( ). For more information, see [Manipulation Modes](#).

The codecs that you enter here require corresponding media profile configurations.

**order-codecs**—Use to construct ingress, egress, or conditional codec policies. For more information on conditional codec policies, see [Conditional Codec Policies](#).

6. Save your configuration.

The following example shows a codec policy configuration:

```
codec-policy
  name          private
  allow-codecs  g723:no pcmu video:no
  order-codecs  pcmu *
```

## Apply a Codec Policy to a Realm

- Confirm that the system is in Superuser mode.

Note that codec policies defined for session agents always take precedence over those defined for realms.

To apply a codec policy to a realm:

1. Access the **realm-config** configuration element.

```
ORACLE# configure terminal
ORACLE(configure)# media-manager
ORACLE(media-manager)# realm-config
ORACLE(realm-config)#
```

2. If you are applying a codec policy to a pre-existing realm, you must select (using the ACLI **select** command) the realm that you want to edit.
3. **codec-policy**—Enter the name of the codec policy that you want to apply to this realm. By default, this parameter is empty.
4. Save your configuration.

## Apply a Codec Policy to a Session Agent

- Confirm that the system is in Superuser mode.

Note that codec policies that are defined for session agents always take precedence over those that are defined for realms.

To apply a codec policy to a realm:

1. Access the **session-agent** configuration element.

```
ORACLE# configure terminal
ORACLE(configure)# session-router
ORACLE(session-router)# session-agent
ORACLE(session-agent)
```

2. If you are adding a codec policy to a pre-existing session agent, you must select (using the ACLI **select** command) the realm that you want to edit.
3. **codec-policy**—Enter the name of the codec policy that you want to apply to this realm. By default, this parameter is empty.
4. Save your configuration.

## In-Realm Codec Manipulations

- Confirm that the system is in Superuser mode.

To enable in-realm codec manipulations:

1. Access the **realm-config** configuration element.

```
ORACLE# configure terminal
ORACLE(configure)# media-manager
ORACLE(media-manager)# realm-config
ORACLE(realm-config)#
```

2. If you are adding support for in-realm codec manipulations to an existing realm, you must select (using the ACLI **select** command) the realm that you want to edit.
3. **codec-manip-in-realm**—Enter the name of the codec policy that you want to apply to this realm. Default: disabled. Valid values: enabled | disabled.
4. Save your configuration.

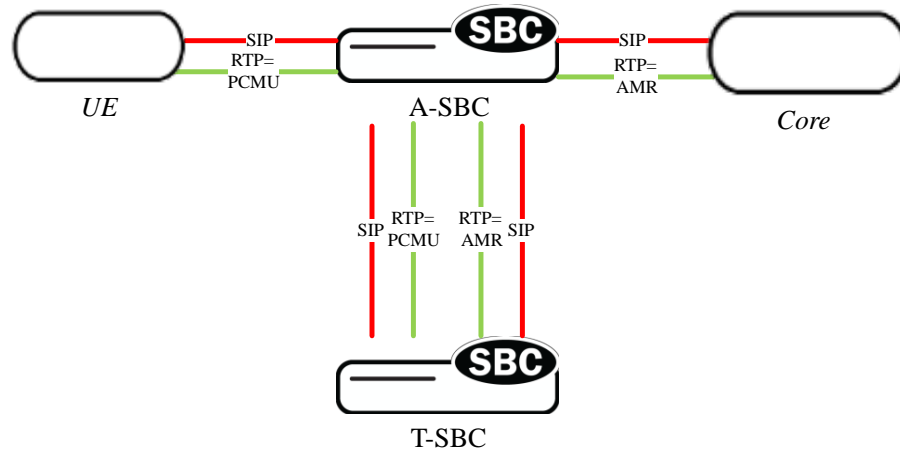
## Pooled Transcoding

Pooled transcoding refers to a deployment model involving two or more Oracle® Enterprise Session Border Controllers (E-SBC). The first E-SBC is an access SBC (referred to as an A-SBC), and the others are one or more E-SBCs equipped with transcoding hardware (referred to as a T-SBC). The T-SBC provides transcoding resources—a pool—that the A-SBC can invoke on-demand.

In the pooled transcoding model, the A-SBC sits between realms or between user endpoints that require transcoding between their preferred codecs. This deployment model conserves resources on both the A-SBC and the T-SBC. While the A-SBC serves as the access function with encryption support, the T-SBC supports transcoding in a tunneling gateway (TG) configuration to meet high-density transcoding requirements.

The following diagram shows an A-SBC positioned between an access UE and the core. The A-SBC compares SDP offers and answers from the elements it sits

between, and uses the results to determine whether or not a given session requires transcoding. When a session requires transcoding, the A-SBC invokes the services of the T-SBC. Acting as a B2BUA, the T-SBC uses information from the A-SBC's SIP message to transcode the applicable codecs and then to route SIP signaling back to the A-SBC on the egress.



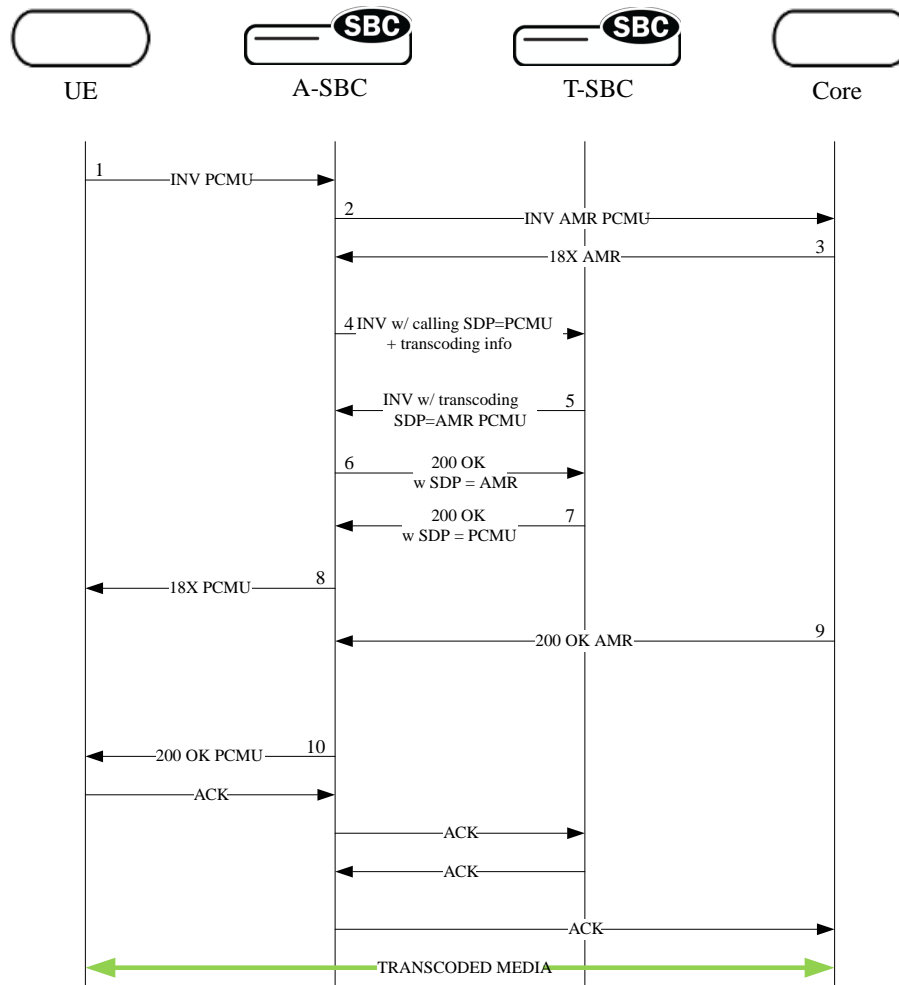
When a call comes in, the system temporarily creates two ports for the caller and callee realms respectively. When the call requires pooled transcoding, the E-SBC creates four ports on the pooled transcoding realm and two additional ports on the caller realm. The system removes the added ports at the end of the call.

The following example shows the ports before, during, and after for a call between the realms net172 (Offer) and net145 (Answer):

Before pooled transcoding	During pooled transcoding	After pooled transcoding
Net172 -> 2 Ports	Net172 -> 4 Ports	Net172 -> 2 Ports
Net145 -> 2 Ports	Net145 -> 2 Ports	Net145 -> 2 Ports
Net192 (Transcoding Realm) -> 0 Ports	Net192 (Transcoding Realm) -> 4 Ports	Net192 (Transcoding Realm) -> 0 Ports

In the preceding example, the E-SBC uses four ports on Net192 for communicating with the transcoding E-SBC. The E-SBC uses the two newly created ports on Net172 for RTP communication, while the original two ports are not used.

The following diagram shows what a call flow between entities in such a deployment model looks like:



**Note:**

The A-SBC and the T-SBC do not need to be on the same version of the hardware and the software.

## Supported Codecs for Pooled Transcoding

The Oracle® Enterprise Session Border Controller (E-SBC) supports the following codecs for pooled transcoding. Note that some platforms and software releases may not support all of the codecs in the list, and some codecs must be enabled.

- PCMU
- PCMA
- G722
- G723
- G726-16
- G726-24

- G726-32
- G726-40
- G728
- G729
- GSM
- AMR
- AMR-WB
- EVRC
- EVRC0
- EVRC1
- EVRCB
- EVRCB0
- EVRCB1
- EVS
- Opus
- SILK

The E-SBC supports the following other types of media for pooled transcoding.

- T.38
- T.140
- Baudot

## Hardware and Software Requirements

Pooled transcoding deployments have specific hardware and software requirements. See the Coproduct Support section in the Release Notes for more information.

## Implementation Details

To the Access SBC (A-SBC), the Transcoding SBC (T-SBC) is a transcoding agent that offers services that the A-SBC can invoke on-demand when an offer-answer exchange requires transcoding. The A-SBC uses its public SIP interface and a corresponding realm reserved for communication with a T-SBC, which you configure as a transcoding agent on the A-SBC. You can configure multiple transcoding agents, which can be IP addresses, session agents, and session agent groups (SAG).

In a deployment with multiple transcoding agents, the A-SBC initiates communication in the order in which the transcoding agents were entered on the list. The A-SBC tries to communicate with each transcoding agent listed one-by-one until it:

- Receives a 2xx response from a transcoding agent
- The list is exhausted
- The original transaction times out

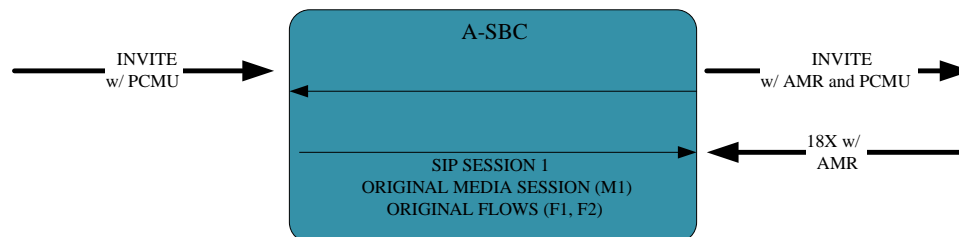
When a transcoding agent is a session agent with hostnames, the A-SBC uses DNS to resolve the hostname and tries the hosts in order. When transcoding agents

are session agent groups (SAG), the A-SBC selects the session agent according to the selection strategy configured for the SAG. When you enable recursing, the A-SBC recurses through all members of the SAG. When session agents and SAGs do not have ports or transport protocols specified, the defaults are 5060 and UDP respectively.

When the A-SBC identifies a transcoding agent, the A-SBC sends an INVITE to which the T-SBC responds with a 2xx message. Configuring the A-SBC as a session agent and disabling dialog transparency (in global SIP configuration) on the T-SBC allows the T-SBC to accept SIP messages from the A-SBC. Then the T-SBC acts as a B2BUA, using the information received in the INVITE from the A-SBC to invoke transcoding and to route SIP signaling back to the A-SBC on egress.

## Scenario 1 INVITE with SDP

When the Access Session Border Controller (A-SBC) receives an INVITE with SDP, the A-SBC creates a SIP session and an associated media session with two flows for audio. The A-SBC applies the appropriate codec policy (with **add-on-egress** configured), so that the egress INVITE contains the necessary codec.



The A-SBC receives an answer to the INVITE, and when the answer contains the added codec the A-SBC invokes the Transcoding Session Border Controller (T-SBC) using an INVITE with the same SDP as the INVITE received on ingress. The communication between the A-SBC and the T-SBC is a separate dialog associated with a new media session.

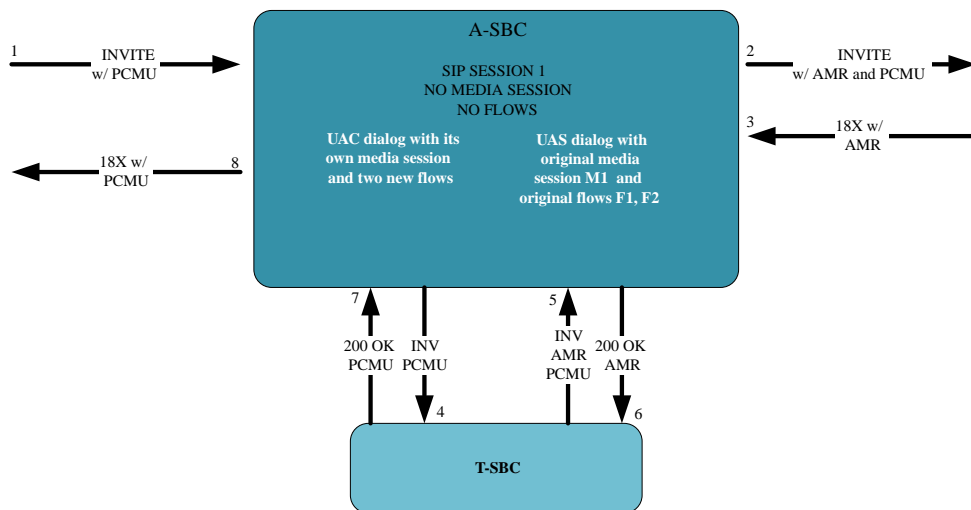
The following code block shows an example of the INVITE the A-SBC sends to the T-SBC.

```

INVITE sip:192.168.101.78:5060 SIP/2.0
Via: SIP/2.0/UDP 192.168.101.18:5060;branch=z9hG4bK10dspa3058b1io4rk721
Max-Forwards: 70
Call-ID: 9fc71d79b43b4b95de41acefd71a8bc4@192.168.101.78
To: sip:192.168.101.78:5060
Contact: sip:172.16.101.18
From: sip:172.16.101.18;tag=bcf80756721880b7996ccb488b6a1b2f
CSeq: 1 INVITE
Target-Dialog: 1-16881@172.16.18.5;local-tag=1;remote-tag=16880SIPpTag011;realm=net192
Acme-Codec-Policy: ;ingress;name="in-2833";allow-codecs="* ";add-codecs-on-egress="";force-ptime="disabled";packetization-time="20";dtmf-in-audio="disabled";order-codecs=""
Acme-Codec-Policy: ;egress;name="out-2833";allow-codecs="* ";add-codecs-on-egress="AMR ";force-ptime="disabled";packetization-time="20";dtmf-in-audio="disabled";order-codecs=""
Content-Type: application/sdp
Content-Length: 196^M
P-Visited-Network-ID: open-ims.test
  
```

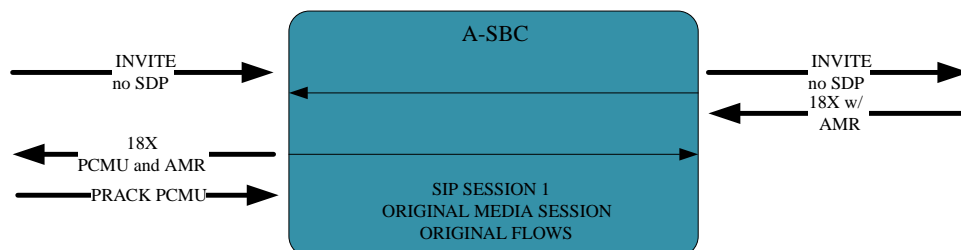
```
Route: <sip:192.168.101.18:5060;lr;transport=UDP>
v=0
o=user1 53655765 2353687637 IN IP4 192.168.101.18
S=-
c=IN IP4 192.168.101.18
t=0 0
m=audio 20002 RTP/AVP 96 0
a=rtpmap: 96 AMR/8000
a=rtpmap:0 PCMU/8000
```

Note that the Target Dialog and Acme-Codec-Policy headers communicate operational parameters for pooled transcoding. Using such information, the T-SBC applies two codec policies and returns the INVITE to the A-SBC. The A-SBC moves the media session to itself, but the SIP session does not have a media session at this time.



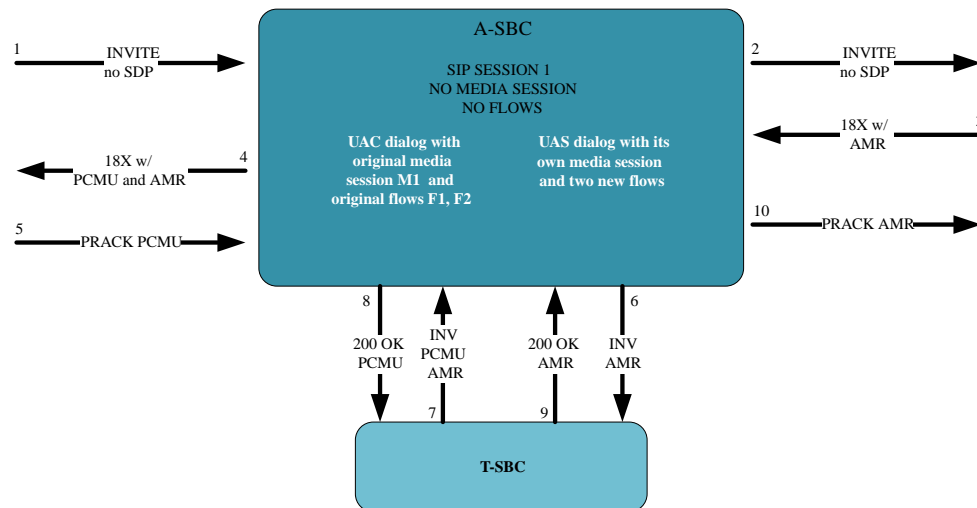
## Scenario 2 INVITE without SDP

For an offerless call flow, the system creates a media session when the offer comes in a reliable provisional or final response. The Access Session Border Controller (A-SBC) applies the codec policy and sends the egress offer to the calling UE.



When the A-SBC receives an answer in either a PRACK or ACK message, the A-SBC compares the offer and answer. An answer containing the codec added in the egress offer causes the A-SBC to invoke the Transcoding Session Border Controller (T-SBC) and create a standalone UAC dialog, just as in Scenario 1.

Because the A-SBC advertised its media address in the egress offer to the calling UE, the UAC dialog uses the original media session.



## Re-INVITES and Updates with SDP

When a specific session on the Access Session Border Controller (A-SBC) invokes the resources of the Transcoding Session Border Controller (T-SBC), the A-SBC continues to use the same T-SBC for the duration of the session. Anytime when the A-SBC receives a SIP message containing modified SDP, the A-SBC communicates the modification to the T-SBC.

## RFC 2833 Considerations

For legacy RFC 2833 inter-working to function properly, the Access Session Border Controller (A-SBC) communicates the RFC 2833 configuration to the Transcoding Session Border Controller (T-SBC) in the UAC dialog.

The following example shows an INVITE with RFC 2833 information sent from the A-SBC to the T-SBC.

```
INVITE sip:192.168.101.78:5060 SIP/2.0
Via: SIP/2.0/UDP 192.168.101.18:5060;branch=z9hG4bK10dspa3058b1io4rk721
Max-Forwards: 70
Call-ID: 9fc71d79b43b4b95de41acefd71a8bc4@192.168.101.78
To: sip:192.168.101.78:5060
Contact: sip:172.16.101.18
From: sip:172.16.101.18;tag=bcf80756721880b7996ccb488b6a1b2f
CSeq: 1 INVITE
Target-Dialog: 1-16881@172.16.18.5;local-tag=1;remote-tag=16880SIPpTag011;realm=net192
Acme-Codec-Policy: ;ingress;name="in-2833";allow-codecs="* ";add-codecs-on-egress="";force-ptime="disabled";packetization-time="20";dtmf-in-audio="disabled";order-codecs=""
Acme-Codec-Policy: ;egress;name="out-2833";allow-codecs="* ";add-codecs-on-egress="PCMA ";force-ptime="disabled";packetization-time="20";dtmf-in-audio="disabled";order-codecs=""
Acme-Rfc2833: ;ingress;Digit-Mode=0;PtTo=101;PtFrom=0;TransNon2833=disabled;TransNonInband=disabled
Acme-Rfc2833: ;egress;Digit-Mode=1;PtTo=101;PtFrom=0
```



```
Content-Type: application/sdp
Content-Length: 196
P-Visited-Network-ID: open-ims.test
Route: <sip:192.168.101.18:5060;lr;transport=UDP>
v=0
o=user1 53655765 2353687637 IN IP4 192.168.101.18
s=-
c=IN IP4 192.168.101.18
t=0 0
m=audio 20002 RTP/AVP 0 101
a=rtpmap:0 PCMU/8000
```

## Configuration Requirements and Verification

Pooled transcoding requires specific configuration of the Access Session Border Controller (A-SBC) and the Transcoding Session Border Controller (T-SBC). Note that the Oracle® Enterprise Session Border Controller, the A-SBC, does not enforce the requirements. Oracle recommends that you configure your pooled transcoding deployment with care, and verify the configuration to help to identify any potential issues.

### A-SBC Configuration Requirements

The Access Session Border Controller (A-SBC) configuration must include the following:

- A public SIP interface the A-SBC can use for communication with the Transcoding Session Border Controller (T-SBC).
- A transcoding realm, which is a separate realm for the public SIP interface used only for communication with the T-SBC.
- Appropriate codec policies, including ones set up to add SDP on the egress leg of the session.
- A global SIP configuration, with **transcoding-realm** set to the name where valid transcoding agents reside, and a **transcoding-agents** list configured with one or any combination of
  - A DNS hostname for a single session agent that can resolve to one or more IP addresses
  - An IPv4 or IPv6 address with or without the port specified (when not specified, the system defaults to port 5060).
  - The name of a session agent group.

### T-SBC Requirements

A valid Transcoding Session Border Controller (T-SBC) configuration must include the following:

- A global SIP configuration, with **dialog-transparency** set to **disabled**. You must disable Dialog transparency on the T-SBC, so that the INVITE from the T-SBC contains a different call ID and From tag.

- A public realm with **codec-manip-in-realm** set to **enabled** because the system uses the same realm for transcoding. You must also enable the **mm-in-realm** parameter.

## Configuration Verification

You can verify the configuration by using the ACLI **verify-config** command. When verifying the configuration on the Access Session Border Controller (A-SBC), the system displays errors messages when:

- The **transcoding-realm** value configured is not a valid realm.
- Either one of the **transcoding-realm** or **transcoding-agents** parameters is not configured.
- One or more session agent names defined in the **transcoding-agents** list is not a valid session agent.
- The IP address version for an agent in the **transcoding-agents** list is not supported in the transcoding realm you identify. For example, if you list an IPv6 agent in the list and the transcoding realm does not support IPv6.
- The transcoding agent is a hostname and not a valid session agent.

## Configure Pooled Transcoding

You must configure a transcoding realm and transcoding agents on your Access Session Border Controller (A-SBC), when used in a pooled transcoding deployment model. Set the parameters as part of the global SIP configuration.

1. Access the **sip-config** configuration element.

```
ORACLE# configure terminal
ORACLE(configure)# session-router
ORACLE(session-router)# sip-config
ORACLE(sip-config)#
```

2. If you are adding transcoding support to a pre-existing SIP configuration, you must select the configuration before you can make changes.
3. Enter the name of a configured realm designated as the separate realm for the public SIP interface for exclusive communication with the Transcoding Session Border Controller (T-SBC) in as pooled transcoding deployment.

```
ORACLE(sip-config)# transcoding-realm net157
ORACLE(sip-config)#
```

4. **transcoding-agents**—Enter any IP address, IP address and port combination, session agent hostname, or SAG name to use as a transcoding agent. You can make multiple entries in any combination of these values. For example, you might list an IPv6 address and port, a session agent, and a SAG.
  - To make multiple entries in the list using in one command line, enclose the entire list of value in parentheses ( ( ) ), separating each with a Space as in the example below.
  - To add a transcoding agent to an existing list, put a plus sign before the value you want to add, e.g. +154.124.2.8.

- To remove a transcoding agent from an existing list, put a minus sign before the value you want to remove, e.g. -154.124.2.8.

```
ORACLE(sip-config)# transcoding-agent (sag:sag1 192.168.4.7.3
192.168.2.6:5061)
ORACLE(sip-config)#
```

- Type **done** to save your configuration.

## Monitor Dialogs Between the A-SBC and the T-SBC

You can monitor pooled transcoding communications between the Access Session Border Controller (A-SBC) and the Transcoding Session Border Controller (T-SBC) by using the **show sipd pooled-transcoding** CLI command. The display shows you information for the client and server User Agents on the A-SBC.

- UAC Dialogs—shows the number of UAC dialogs the A-SBC initiated with the T-SBC. The count is cumulative, and not for any specific session.
- UAS Dialogs—shows the number of UAS dialogs the A-SBC created upon receipt of an INVITE from the T-SBC. The count is cumulative, and not for any specific session.
- XCodeSessions—counts the number of transcoded sessions on the A-SBC.

```
ACMEPACKET# show sipd pooled-transcoding
18:11:28-125
SIP Pooled Transcoding Status
-- Period --
Active High Total Total PerMax Lifetime
----- High -----
UAC Dialogs      1      1      1      1      1      1
  Early          0      0      0      0      0      0
  Confirmed      1      1      1      1      1      1
  Terminated    0      0      0      0      0      0
UAS Dialogs      1      1      1      1      1      1
  Early          0      0      0      0      0      0
  Confirmed      1      1      1      1      1      1
  Terminated    0      0      0      0      0      0
xCodeSessions    1      1      1      1      1      1
```

## Per-Method Statistics

When you set **extra-method-stats** to **disabled** in the global SIP configuration, the system displays the per-method statistics for the Access Session Border Controller (A-SBC) public transcoding-realm.

```

ACMEPACKET# show sipd realms net157 invite
INVITE (18:14:59-36)
----- Server -----
Message/Event      Recent      Total      PerMax      Recent      Total      PerMax
----- Client -----
INVITE Requests    0           1           1           0           1           1
Retransmissions    0           0           0           0           0           0
100 Trying         0           1           1           0           1           1
200 OK             0           1           1           0           1           1
Response Retrans   0           0           0           0           0           0
Transaction Timeouts -           -           -           0           0           0
Locally Throttled -           -           -           0           0           0

Avg Latency=0.000 for 0
Max Latency=0.000
BurstRate Incoming=1 outgoing=0

ACMEPACKET# show sipd realms net157 bye
BYE (18:15:13-50)
----- Server -----
Message/Event      Recent      Total      PerMax      Recent      Total      PerMax
----- Client -----
BYE Requests       0           1           1           0           1           1
Retransmissions    0           0           0           0           0           0
200 OK             0           1           1           0           1           1
Transaction Timeouts -           -           -           0           0           0
Locally Throttled -           -           -           0           0           0

Avg Latency=0.000 for 0
Max Latency=0.000
BurstRate Incoming=1 outgoing=0

```

## Notes on the DIAMETER Rx Interface

DIAMETER Rx support for external bandwidth management is specialized for pooled transcoding.

For pooled transcoding, the identifier appears in this altered format: <policy server name>;<policy server realm>;<dns suffix>. Because there are two dialogs (one for the server UA and one for the client UA), there are two separate media sessions. This situation requires the Oracle® Enterprise Session Border Controller to generate two different DIAMETER session identifiers. At the same time, the Oracle® Enterprise Session Border Controller needs to maintain the AAR and STR associations with the original SIP session. To keep this relationship clear, the Oracle® Enterprise Session Border Controller keeps the DIAMETER session identifier between the two media sessions the same for the two UAs.

The MBCD session identifier associated with the media session for the original SIP session is retained for the DIAMETER session identifier for the duration of the SIP session.

## Accounting and Transcoding

An Access Control Record (ACR) record for a typical SIP session looks the same as one for a transcoded session, except that the forward codec (Acme-FlowType\_FS1\_\_F) differs from the reverse codec (Acme-FlowType\_FS1\_\_R), due to transcoding.

For the RADIUS and Diameter protocols, the ACR record shows only the IP address and port number of the two original endpoints. The record shows no details about the Transcoding Session Border Controller (T-SBC) because the system does not support transcoding for RADIUS and Diameter.

## EVRC Family of Codecs

The Acme Packet 6300 supports 2 codecs in the EVRC family. Each codec has three variants.

- EVRC-A is also commonly referred to as EVRC. The following EVRC-A packet formats are supported:

Header-free packet format = EVRC0

Bundled/interleaved packet format = EVRC

Compact Bundled packet format = EVRC1

- The following EVRC-B packet formats are supported:

Header-free packet format = EVRCB0

Bundled/interleaved packet format = EVRCB

Compact Bundled packet format = EVRCB1

## EVRC-A Codec for Transcoding

The Acme Packet 6300 supports the Enhanced Variable Rate codec (EVRC) for transcoding. Three subtypes of the EVRC codec are supported as media-profiles:

- EVRC0—header-free EVRC format. This codec is transcodable.
- EVRC—non-header-free EVRC format. This codec is transcodable.
- EVRC1—fixed rate EVRC format. This codec is transcodable.

### Note:

The Acme Packet 6300 handles optional parameters according to RFC 4788 unless otherwise specified.

## EVRC0 Supported Options

Required Parameters: none

Optional Parameters:

- `silencesupp`—If this parameter is not present in a DTX session, the default value 1 MUST be assumed.
- `dtxmax`—If this parameter is not present in a DTX session, the default value is 32.
- `dtxmin`—If this parameter is not present in a DTX session, the default value is 12.
- `hangover`—If this parameter is not present in a DTX session, the default value 1 MUST be assumed.

The payload type is dynamic for this codec. EVRC0 specifies the header-free format of the EVRC codec. Only a single frame (20 ms) is allowed in header-free mode.

## EVRC Supported Options

Required Parameters: none

Optional parameters:

- ptime
- maxptime
- maxinterleave—If not signaled, the maxinterleave length is set to 5.
- silencesupp—If this parameter is not present, the default value 1 MUST be assumed.
- dtxmax—See dtxmax in EVRC0 section.
- dtxmin—See dtxmin in EVRC0 section.
- hangover—See hangover in EVRC0 section.

The payload type is dynamic for this codec. The default ptime is 20 ms. The ptimes 20, 40, and 60 ms are supported for transcoding.

## EVRC1 Supported Options

Required parameters: none

Optional parameters:

- ptime—See RFC 4566
- maxptime
- fixedrate—Valid values are 0.5 or 1. If this parameter is not present, 0.5 is assumed.
- silencesupp—If this parameter is not present, 1 MUST be assumed.
- dtxmax—See dtxmax in EVRC0 section.
- dtxmin—See dtxmin in EVRC0 section.
- hangover—See hangover in EVRC0 section.

The payload type is dynamic for this codec. Only the 20 ms ptime is supported for transcoding. The media rate will be fixed to either full or half rate depending on the fixedrate parameter (half rate is default).

## Default settings for EVRC encoding

- CDMA Rate change for Dim and Burst disabled
- CDMA DTX control enabled

## EVRC Configuration

In the ACLI, refer to EVRC codecs exactly as follows:

```
EVRC0  
EVRC  
EVRC1
```

## EVRC-B Codec for Transcoding

The Acme Packet 6300 supports the Enhanced Variable Rate codec, extension B (EVRCB) for transcoding. Three subtypes of the EVRCB codec are supported as media-profiles:

- EVRCB0—This codec is transcodable.
- EVRCB—This codec is transcodable.
- EVRCB1—This codec is transcodable.

 **Note:**

The Acme Packet 6300 handles optional parameters according to RFC 4788 unless otherwise specified.

## EVRCB0 Supported Options

EVRCB0 is the header-free format of the EVRCB codec. Only a single frame (20 ms) is allowed in header-free mode.

Required Parameters: none

Optional Parameters:

- `silencesupp` — If this parameter is not present in a DTX session, the default value 1 MUST be assumed.
- `dtxmax` — If this parameter is not present in a DTX session, the default value is 32.
- `dtxmin` — If this parameter is not present in a DTX session, the default value is 12.
- `hangover` — If this parameter is not present in a DTX session, the default value 1 MUST be assumed.

The payload type is dynamic for this codec. EVRCB0 specifies the header-free format of the EVRCB codec. Only a single frame (20 ms) is allowed in header-free mode.

## EVRCB Supported Options

Required Parameters: none

Optional parameters:

- `pstime`

- maxptime
- maxinterleave—If not signaled, the maxinterleave length is set to 5.
- silencesupp—If this parameter is not present, the default value 1 MUST be assumed.
- dtxmax
- dtxmin
- hangover

The payload type is dynamic for this codec. The default ptime is 20 ms. Only the 20 ms ptime is supported for transcoding.

## EVRCB1 Supported Options

Required parameters: none

Optional parameters:

- ptime—See RFC 4566
- maxptime
- fixedrate—Valid values are 0.5 or 1. If this parameter is not present, 0.5 is assumed.
- silencesupp—If this parameter is not present, 1 MUST be assumed.
- dtxmax
- dtxmin
- hangover

The payload type is dynamic for this codec. Only the 20 ms ptime is supported for transcoding. The media rate will be fixed to either full or half rate depending on the fixedrate parameter (half rate is default).

## Default fixed settings for EVRCB encoding

- CDMA Rate change for Dim and Burst disabled
- CDMA DTX control enabled

## EVRCB Configuration

In the ACLI, refer to EVRCB codecs exactly as follows:

```
EVRCB0  
EVRCB  
EVRCB1
```

## Opus Codec Transcoding Support

Opus is an audio codec developed by the IETF that supports constant and variable bitrate encoding from 6 kbit/s to 510 kbit/s and sampling rates from 8 kHz (with 4 kHz bandwidth) to 48 kHz (with 20 kHz bandwidth, where the entire hearing range of the human auditory system can be reproduced). It incorporates technology from



both Skype's speech-oriented SILK codec and Xiph.Org's low-latency CELT codec. This feature adds the Opus codec as well as support for transrating, transcoding, and pooled transcoding.

Opus can be adjusted seamlessly between high and low bit rates, and transitions internally between linear predictive coding at lower bit rates and transform coding at higher bit rates (as well as a hybrid for a short overlap). Opus has a very low algorithmic delay (26.5 ms by default), which is a necessity for use as part of a low audio latency communication link, which can permit natural conversation, networked music performances, or lip sync at live events. Opus permits trading-off quality or bit rate to achieve an even smaller algorithmic delay, down to 5 ms. Its delay is very low compared to well over 100 ms for popular music formats such as MP3, Ogg Vorbis, and HE-AAC; yet Opus performs very competitively with these formats in terms of quality across bit rates.

### Opus Supported Options

Required SDP Parameters:

**rate** — Specifies the sampling frequency. This parameter is mapped to the RTP clock rate in "a=rtpmap". The range is limited to and must be 48000 Hz.

Optional SDP Parameters:

- **maxplaybackrate** — Specifies the maximum output sampling rate in Hz that the receiver is capable of rendering. The range is 8 kHz to 48 kHz; common values are 8, 12, 16, 24, and 48 kHz.
- **sprop-maxcapture** — Specifies the maximum input sampling rate in Hz that the sender is likely to produce. The Vocallo OCT2224 DSP currently supports only 8000 and 16000 Hz for transcoding. The range is 8 kHz to 48 kHz; common values are 8, 12, 16, 24, and 48 kHz.
- **ptime** — Specifies the packetization interval in milliseconds. The DSP supports packetization intervals of 10, 20, 40, 60, 80, and 100 ms. This parameter is mapped to "a=ptime" in the SDP. Possible values are 3, 5, 10, 20, 40, 60, or an arbitrary multiple of Opus frame sizes rounded up to the next full integer value up to a maximum value of 120. The default is 20 ms.
- **maxptime** — Specifies the maximum packetization interval allowed. The default is 100 ms.
- **minptime** — Specifies the minimum packetization interval allowed. The default is 20 ms.
- **maxaveragebitrate** — Specifies the maximum average rate of bits received for a session in bits per second. Although the range is 6000 to 51000, only bit rates of 6000 to 30000 bps are transcodable by the DSP. A media profile configured with a value for **maxaveragebitrate** greater than 30000 is not transcodable and cannot be added on egress in the **codec-policy** element.
- **stereo** — Specifies whether the decoder receives stereo or mono signals. The possible values are 0 (mono) and 1 (stereo). The default is 0.
- **sprop-stereo** — Specifies whether the sender is likely to produce stereo audio. The possible values are 0 (mono) and 1 (stereo). The default is 0.
- **cbr** — Specifies whether the decoder uses a constant or a variable bit rate. The possible values are 0 (variable bit rate) and 1 (constant bit rate). The default is 0.
- **useinbandfec** — Specifies whether the Opus decoder supports Forward Error Correction (FEC). The possible values are 0 (no) and 1 (yes). The default is 1.

- **usedtx** — Specifies whether the Opus decoder utilizes Discontinuous Transmission (DTX). The possible values are 0 (no) and 1 (yes). The default is 0.

The payload type is dynamic for this codec.

### Sample media-profile configuration for adding Opus

Parameter	Value
name	opus
subname	WB
media-type	audio
payload-type	104
transport	RTP/AVP
clock-rate	48000
req-bandwidth	0
frames-per-packet	0
parameters	maxplaybackrate=16000 sprop-maxcapture=16000 usedtx=0
average-rate-limit	5000
peak-rate-limit	0
max-burst-size	0
sdp-rate-limit-headroom	0
sdp-bandwidth	enabled
police-rate	0
standard-pkt-rate	0

### Monitoring and Debugging

CLI commands:

The **show sipd codecs** command is modified to add **opus Count**.

SNMP:

- New SNMP OID **apSysXCodeOPUSCapacity** is added to transcoding utilization statistics as reported in the **apSysMgmtGroupTrap**. When utilization falls below 80%, the **apSysMgmtGroupClearTrap** is sent.
- Opus realm statistic **apCodecRealmCountOPUS** is added to **apCodecRealmStatsEntry**.

Alarms:

Opus Transcoding Capacity Threshold Alarm — A warning level alarm that doesn't affect health is triggered when the Opus transcoding utilization exceeds 95% of capacity. The alarm is cleared when the Opus transcoding utilization falls below 80% of capacity.

## SILK Codec Transcoding Support

SILK is an audio codec developed by Skype Limited that supports bit rates from 6 kbit/s to 40 kbit/s and sampling rates of 8, 12, 16, or 24 kHz. It can also use a

low algorithmic delay of 25 ms (20 ms frame size + 5 ms look-ahead). This feature adds the SILK codec as well as support for transrating, transcoding, and pooled transcoding.

### SILK Supported Options

Required SDP Parameters:

**rate** — Specifies the sampling frequency. SILK supports four different audio bandwidths – narrowband at 8 kHz, mediuiband at 12 kHz, wideband at 16 kHz, and super wideband at 24 kHz. This parameter is mapped to the RTP clock rate in “a=rtpmap”. The DSP only supports audio sampling rates of 8 kHz and 16 kHz for transcoding; the 12 kHz and 24 kHz bandwidths are not transcodable.

Optional SDP Parameters:

- **ptime** — Specifies the packetization interval in milliseconds. The DSP supports packetization intervals of 20, 40, 60, 80, and 100 ms. This parameter is mapped to “a=ptime” in the SDP. The default is 20 ms.
- **maxptime** — Specifies the maximum packetization interval in milliseconds. The default is 100 ms.
- **minptime** — Specifies the minimum packetization interval in milliseconds. The default is 20 ms.
- **maxaveragebitrate** — Specifies the maximum average rate of bits received for a session in bits per second. Bit rates of 5000 to 30000 bps are transcodable by the DSP.
- **usedtx** — Specifies whether the SILK decoder utilizes Discontinuous Transmission (DTX). The possible values are 0 (no) and 1 (yes). The default is 0.

The payload type is dynamic for this codec.

### Sample media-profile configuration for adding SILK

Parameter	Value
name	SILK
subname	wideband
media-type	audio
payload-type	103
transport	RTP/AVP
clock-rate	16000
req-bandwidth	0
frames-per-packet	0
parameters	N/A
average-rate-limit	5000
peak-rate-limit	0
max-burst-size	0
sdp-rate-limit-headroom	0
sdp-bandwidth	enabled
police-rate	0
standard-pkt-rate	0

## Monitoring and Debugging

CLI commands:

The **show sipd codecs** command is modified to add **SILK Count**.

SNMP:

- New SNMP OID **apSysXCodeSILKWBCapacity** is added to transcoding utilization statistics as reported in the **apSysMgmtGroupTrap**. When utilization falls below 80%, the **apSysMgmtGroupClearTrap** is sent.
- SILK realm statistic **apCodecRealmCountSILK** is added to the **apCodecRealmStatsEntry** table located in the `ap-tc.mib`.

Alarms:

SILK Transcoding Capacity Threshold Alarm — A warning level alarm that doesn't affect health is triggered when the SILK transcoding utilization exceeds 95% of capacity. The alarm is cleared when the SILK transcoding utilization falls below 80% of capacity.

# Comfort Noise Transcoding

The Comfort Noise (CN) codec provides a means of encoding periods of silence that occur in an audio stream into a low-level sound that confirms to the listener that the call remains active. In a scenario where the endpoint does not support CN packets during periods of silence, the listener might think that the phone call disconnected. To avoid such a scenario, you can enable the Oracle® Enterprise Session Border Controller (E-SBC) to transcode the CN packet into in-band RTP packets of the voice codec resulting in low-level sound during silences in the audio stream.

Without CN transcoding enabled, the E-SBC forwards all of the CN packets through to the endpoint on ingress and back out again on egress. Also, without CN transcoding enabled, the E-SBC passes through all of the thousands of in-band RTP packets that make up the silences when the endpoint does not support CN. Passing thousands of RTP packets can use a large amount of bandwidth. To save bandwidth in scenarios where one endpoint supports CN and the other endpoint does not, you can set the codec policy to transcode a CN packet into in-band audio RTP packets containing silence. Such transcoding results in a lower transmission rate of RTP packets because the system sends only one CN packet on egress rather than the thousands of RTP packets that would otherwise pass through between ingress and egress.

To configure the E-SBC to transcode the CN codec, you must add "CN" to the **add-codecs-on-egress** list in the codec-policy configuration.

For transcoding comfort noise:

- The side of the call that does not support CN, must use an audio codec that the SBC supports for transcoding. See "Transcodable Codecs."
- The side of the call that supports CN, must use an audio codec that the SBC supports as interoperable with CN. Interoperable codecs: (non-signalling codecs) PCMA, PCMU, and G.726.

Be aware that enabling CN transcoding can generate periods when no RTP packets flow on the side of the call that sends and receives CN packets. Depending on the values set in the following guard timer parameters, the system might detect no flow and drop the call.

- flow-time-limit
- initial-guard-timer
- subsq-guard-timer
- tcp-flow-time-limit
- tcp-initial-guard-timer
- tcp-subsq-guard-timer

Setting the value for a guard timer parameter to zero disables the parameter. When you set the parameters to zero, the system does not terminate any calls due to lack of RTP packets. Set the guard timers in the **media-manager-config** object.

```
ORACLE# configure terminal
ORACLE(configure)# media-manager
ORACLE(media-manager)# media-manager
ORACLE(media-manager-config)#
```

### Supported and Unsupported Platforms and Behavior

Comfort Noise transcoding supports:

- the Acme Packet 1100, Acme Packet 3900, Acme Packet 4600, and the Acme Packet 6300.
- simultaneous transcoding of comfort noise and telephone event (RFC 2833) to and from in-band DTMF.
- using either the comfort-noise-generate SPL or comfort noise transcoding. The system cannot support both methods at the same time.
- High Availability (HA) as currently implemented, regarding the configuration and media flows.

Comfort Noise transcoding does not support:

- the Acme Packet 6100, Server Edition, and VMWare.
- scenarios involving H.323 call signaling and IWF (SIP<->H.323).
- hairpin scenarios.
- dynamically defined payload types.

### Troubleshooting

- Inspect the SDP m= and a= lines for correct modifications as a result of the codec policy.
- When you enable SIP debug, the sipmsg.log shows "CN-XCODE-GEN-Enabled" for the flow that you enabled to generate CN.

## System Behavior Without Comfort Noise Transcoding

The following scenarios describe how the Oracle® Enterprise Session Border Controller (E-SBC) handles Comfort Noise (CN) packets without transcoding enabled.

### **Both sides offer and answer support for CN**

CN packets pass through the E-SBC from the Offerer to the Answerer and from the Answerer to the Offerer.

### **Neither side offers or answers support for CN**

Any silence in the audio stream passes through the E-SBC in the RTP audio packets.

### **One side supports CN, and the other side does not**

The Offerer does not send CN packets because the Answerer advertises no support for CN. Any silence in the audio stream passes through the E-SBC in the RTP audio packets.

## System Behavior With Comfort Noise Transcoding

The following scenarios show how the Oracle® Enterprise Session Border Controller (E-SBC) handles Comfort Noise (CN) packets with transcoding enabled.

### **General Behavior in the Scenarios**

When the SDP produced by the ingress codec-policy O<sup>1</sup> contains an audio codec that interoperates with CN (PCMA, PCMU, and G.726), and the egress codec-policy allows the interoperable codec and is configured to add CN, the E-SBC adds the default payload type of 13 to the SDP m= line.

When the SDP produced by the ingress codec-policy O<sup>1</sup> does not contain a codec that interoperates with CN, and the egress codec-policy is configured to add an interoperable audio codec plus the CN codec, the E-SBC adds the default payload type of 13 to the SDP m= line.

When the E-SBC adds the CN codec, the system adds the following default a= line to the SDP:

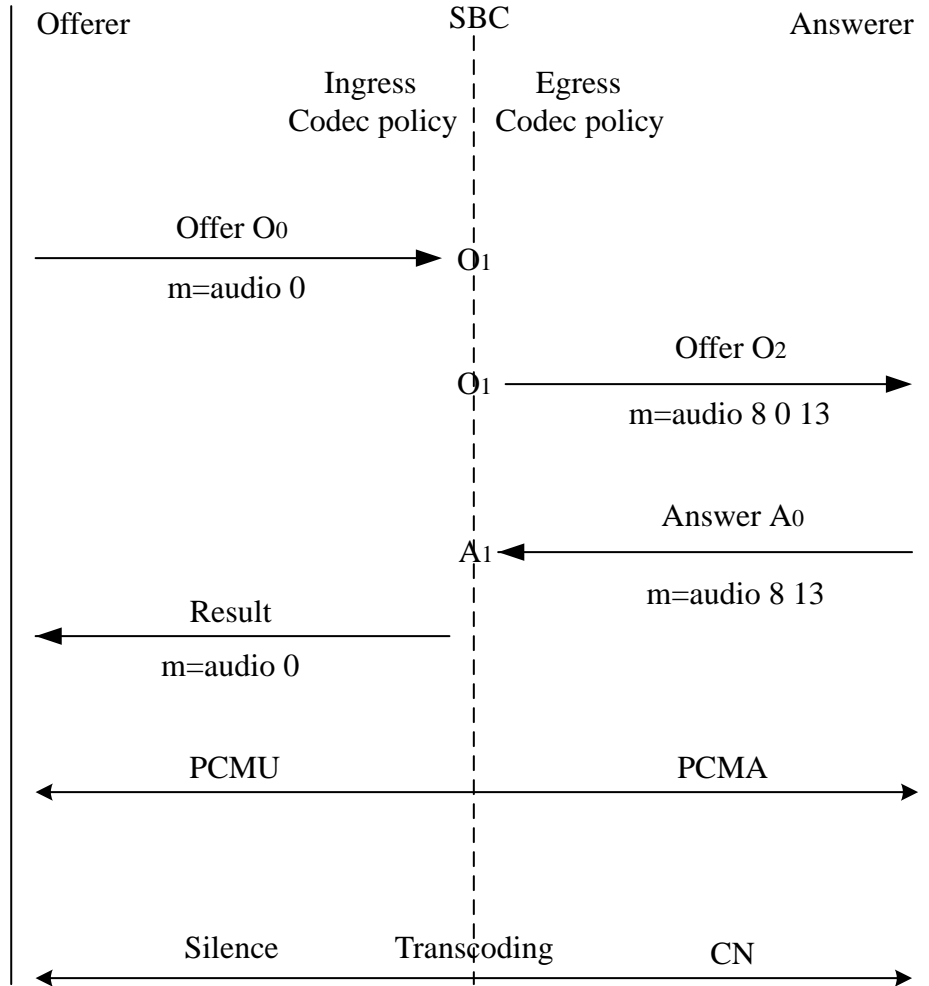
```
a=rtptime:13 CN/8000
```

For more information about the concepts and terms used in the scenarios, see "Transcoding Processing Overview."

### **Comfort Noise Transcoded Scenario**

In a typical scenario with CN transcoding enabled, the E-SBC transcodes the ingress audio codec for the media stream to PCMA. The DSP detects silence in the media stream from the Offerer, translates the silence into a CN packet, and sends the packet to the Answerer. The Answerer sends a CN packet to the DSP, which translates the packet into silence in the media stream and sends the packet to the Offerer. The result is silence on egress.

Ingress codec policy	Setting	Egress codec policy	Setting
allow codecs	*	allow codecs	*
add codecs on egress	N/A	add codecs on egress	PCMA CN
order codecs	N/A	order codecs	N/A



The side of the call that does not support CN, must use an audio codec that the E-SBC supports as transcodable, represented by "x" in the call flow.

The side of the call that supports CN, must use an audio codec that the E-SBC supports as interoperable with CN, represented by PCMA in the call flow.

#### Audio Codec Not Transcoded - Comfort Noise Codec Transcoded Scenario

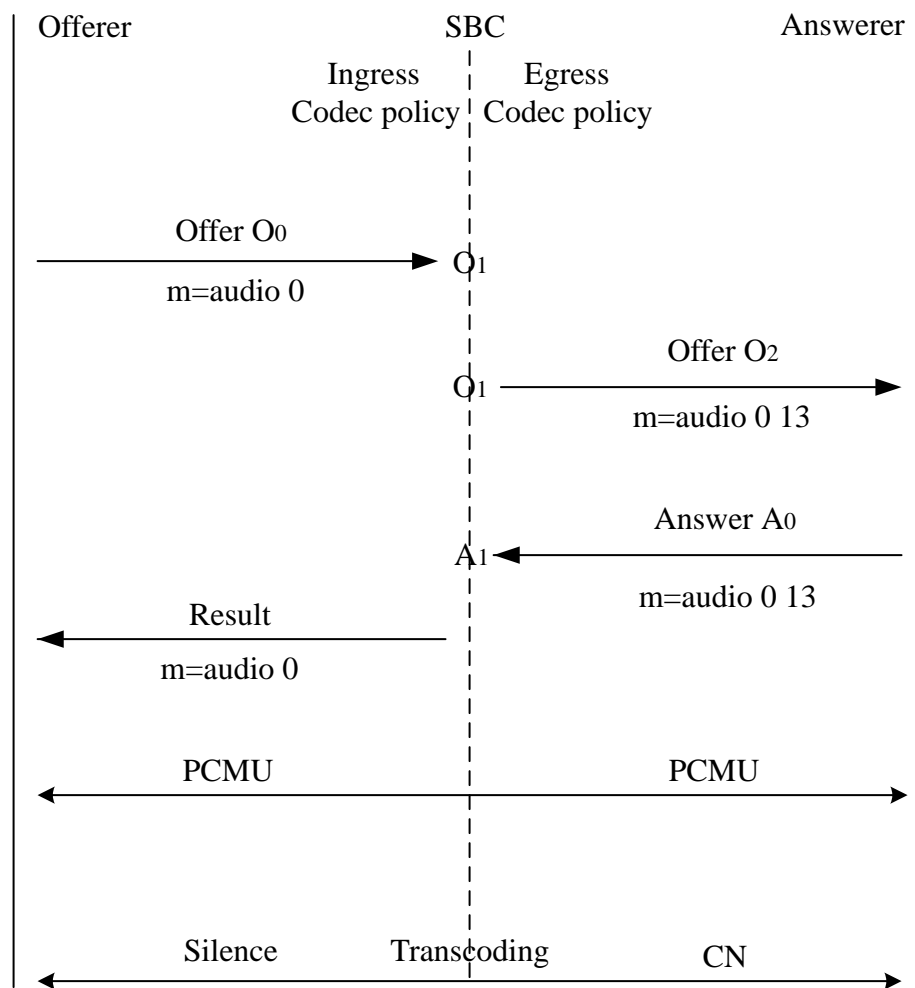
In the following scenario, the ingress codec policy and the egress codec policy both allow all offered codecs. The setting for add-codecs-on-egress is CN.

1. The Offerer sends an offer O<sup>0</sup> to the E-SBC with an SDP m-line for an audio codec PCMU, but with no CN signaling codec
2. The codec-policy for the ingress realm allows the audio codec, PCMU, and outputs O<sup>1</sup> which contains PCMU.

3. The E-SBC egress codec-policy takes  $O^1$  as input and adds CN after checking that at least one of the audio codecs in  $O^1$  interoperates with CN, resulting in PCMU and CN in output  $O^2$ .
4. The Answerer responds with the answer in  $A^0$  containing the PCMU audio codec and the signaling codec CN, indicating the Answerer supports comfort noise. The egress codec-policy produces answer  $A^1$  with no changes.
5. The E-SBC removes CN from  $A^1$  because it was not offered by the Offerer. The result contains only the audio codec PCMU.

Even with CN transcoding enabled, the E-SBC does not transcode the audio codec (PCMU). The E-SBC transcodes silence detection and generation, as well as CN packet detection and generation.

Ingress codec policy	Setting	Egress codec policy	Setting
allow codecs	*	allow codecs	*
add codecs on egress	N/A	add codecs on egress	CN
order codecs	N/A	order codecs	N/A





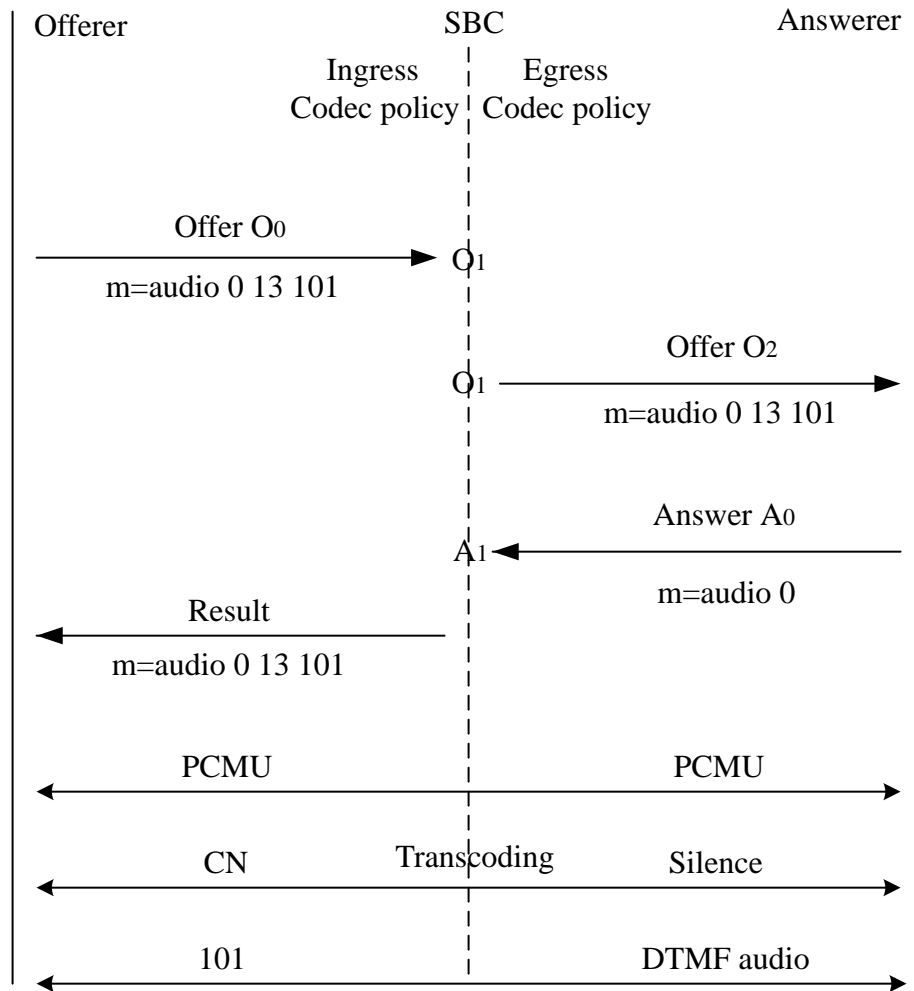
**Comfort Noise and Telephone Event Codecs Both Transcoded Scenario**

In the following scenario, the E-SBC transcodes both Comfort Noise (CN) and telephone event codecs.

1. The Offerer sends an offer (O<sup>o</sup>) with an SDP m-line for an audio codec PCMU to the E-SBC, and includes both CN and telephone-event signaling codecs.
2. The codec-policy for the ingress realm allows all codecs and outputs O<sup>1</sup>. The E-SBC egress codec-policy takes O<sup>1</sup> as input, allows all codecs, and produces output O<sup>2</sup>.
3. The Answerer responds with the answer in A<sup>o</sup> containing the PCMU audio codec. The egress codec-policy produces answer A<sup>1</sup> with no changes.
4. The E-SBC applies the add-codecs-on-egress parameter from the ingress codec-policy to add CN and telephone-event to A<sup>1</sup>. The result contains the audio codec PCMU and the CN and telephone-event signaling codecs because the E-SBC excepts signalling codecs from the rule that the system can apply the add-codecs-on-egress parameter only by the egress codec policy.

Even with CN transcoding enabled, the E-SBC does not transcode the audio codec (PCMU). The E-SBC transcodes silence detection and generation, as well as CN packet detection and generation. The E-SBC transcodes telephone-events to in-band DTMF audio.

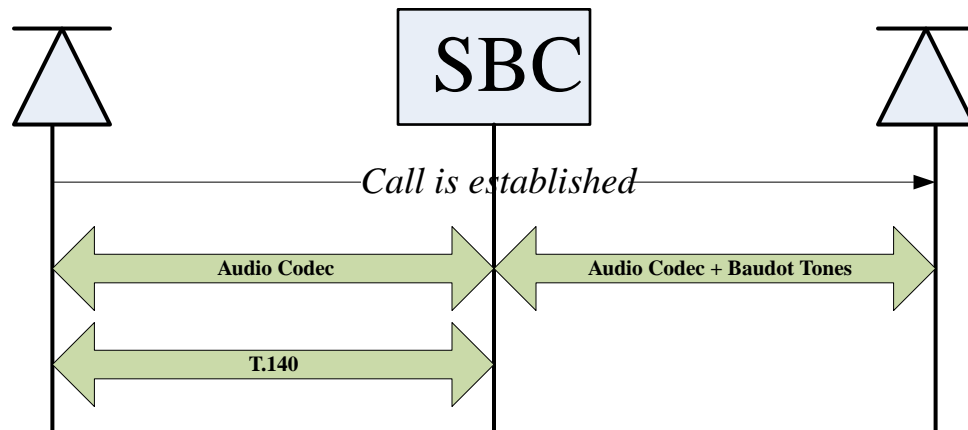
<b>Ingress codec policy</b>	<b>Settings</b>	<b>Egress codec policy</b>	<b>Settings</b>
allow codecs	*	allow codecs	*
add codecs on egress	CN telephone event	add codecs on egress	N/A
order codecs	N/A	order codecs	N/A
dtmf-in-audio	preferred	dtmf-in-audio	preferred



## T.140 to Baudot Relay

The T.140 to Baudot Relay feature uses the Oracle® Enterprise Session Border Controller's transcoding resources to relay T.140 text messages to Baudot tones and vice versa. The T.140 Protocol is used for multimedia text conversation over IP and is designed as a replacement for TDD devices. Baudot tones are a common protocol in the US in Telecommunications Device for the Deaf (TDD). Details of the protocol implementation are available in TIA/EIA-825-A. The T.140-Baudot relay is a regulatory requirement, and is specified for both emergency and non-emergency traffic. This feature is only available on Acme Packet 4600 and 6300 with transcoding hardware.

T.140 to Baudot transcoding entails that one call leg is provisioned with a Baudot-capable codec, and the other call leg accepts T.140 in the SDP. Additionally, the T.140 side includes an audio stream. Once this scenario is established, the call may begin as audio-to-audio. At any point forward, T.140 may be received on one call leg or Baudot tones may be received on the other call leg. Each text indication will be transcoded to its complement on the other side of the call. When T.140 <-> Baudot tone transcoding is active, the existing audio stream is preempted.



The system's transcoding hardware detects baudot tones in the incoming audio stream and generates T.140 packets on an outbound text stream. In the reverse direction T.140 packets will be detected on the text stream and Baudot tones will be generated on the appropriate outgoing audio stream.

T.140 to Baudot relay is invoked when an outbound **codec-policy** removes any text "m=" line from the egressing offer. The processing also removes all non-Baudot-tone capable codecs from the egress SDP offer. If at this point no Baudot-capable codecs remain in the SDP, the call is torn down.

Baudot Tones capable codecs:

- PCMA
- PCMU
- EVRC
- EVRC0
- EVRC1
- EVRCB
- EVRCB0
- EVRCB1

### Codec Policy Configuration for T.140 to Baudot Relay

To support T.140 to Baudot relay, configure the **allow-codecs** parameter in the **codec-policy** with text:no. This value causes the Oracle® Enterprise Session Border Controller to strip any "m=text" occurrence in the outbound INVITE and enable T.140 to Baudot transcoding. When SDP passes through the Oracle® Enterprise Session Border Controller and a text "m=" line is removed on the egress side of the call, then T.140-baudot relay/transcoding will be invoked for that call.

Unlike other transcodable codecs, T.140 is not valid in **add-codecs-on-egress** parameter.

### Limitations

The following scenarios are not supported:

- Configuration of T.140 in **add-codes-on-egress**

- Hairpin calls (T.140 - Baudot Relay - T.140)
- Lawful Intercept
- SRTP for T.140

### T.140 to Baudot Relay Examples

This section includes two examples; access-side call initiation and core-side call initiation. The following codec-policy is applied to the UE-side realm.

```
ACMEPACKET (codec-policy)#
name T140-to-tone
allow text: no *
add-codecs-on-egress PCMU
```

**Figure 14-1 Call Initiated from the Access-side**

The call is set up so that the Oracle® Enterprise Session Border Controller will transcode audio between AMR and PCMU, and seamlessly relay T.140 to and from Baudot tones.

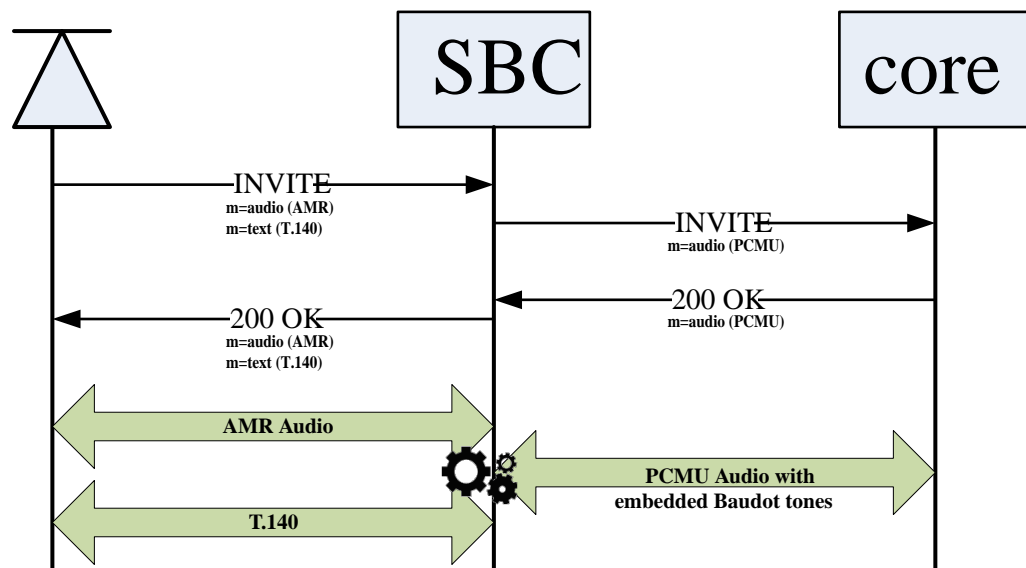
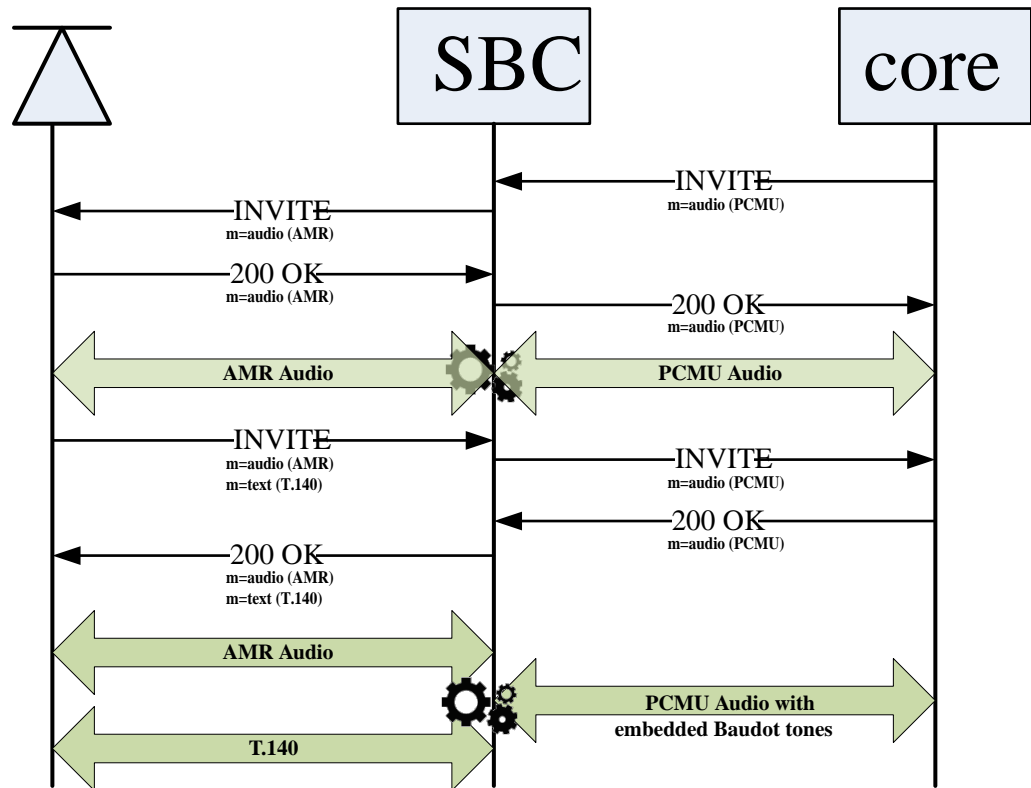


Figure 14-2 Call Initiated from the Core with T.140 reINVITE



## AMR-NB and AMR-WB Specifications

The Oracle® Enterprise Session Border Controller supports Adaptive Multi-Rate Narrow Band & Wide Band codecs. All configurations of this codec, as indicated by SDP, are transcodable except when the following SDP parameters are enabled:

- robust-sorting
- interleaving

When AMR is configured in a codec policy's add-codecs-on-egress parameter, it is forwarded from the Oracle® Enterprise Session Border Controller with the following default settings:

- 12.2 kbps (AMR-NB)
- 23.85 kbps (AMR-WB)
- RTP/IF1 format
- No redundant packets
- bandwidth efficient default payload
- No CRC frame
- 20ms default ptime

## AMR AMR-WB Payload Type Mapping

When the Oracle® Enterprise Session Border Controller connects endpoints that choose AMR with different dynamic payload types but equivalent AMR parameters, payload type remapping can be handled by the local network processor rather than using transcoding resources. In prior releases, the system transcoded all AMR-to-AMR calls or all AMR-WB-to-AMR-WB calls when the Offer/Answer differed only in the assignment of dynamic payload types, or in the values assigned to certain AMR/AMR-WB parameters.

The decision to transcode is based entirely upon a comparison of the SDP Offer presented by the session initiator and the SDP Answer returned by the session responder. Transcoding is NOT REQUIRED when all of the following conditions are met.

- The offer/answer codecs are identical.
- The offer/answer payload formats (specified by the AMR/AMR-WB octet-align parameter) are identical.
- The offer/answer mode-sets (specified by the AMR/AMR-WB mode-set parameter) are identical or intersect.

To use this feature you must create appropriate media profiles (examples given below) and codec policies. You must also enable the audio-payload-type-mapping option in the media-manager-config.

### Note:

On a per-call basis, if AMR/AMR-WB payload mapping is invoked, the system can not also perform RFC 2833 to SIP INFO/H.323 UII payload translation. If a call starts with RFC 2833 translation and per a call change AMR/AMR-WB payload mapping, the system prioritizes the AMR/AMR-WB action and ceases RFC 2833 translation.

## AMR AMR-WB octet-align Parameter

AMR/AMR-WB sessions can be established in either bandwidth-efficient or octet-aligned format. Octet-aligned format increases processing efficiency, and is required for AMR's robust sorting, interleaving and frame CRC capabilities. With octet-aligned format, all fields in the AMR/AMR-WB header are individually aligned to octet boundaries by the addition of padding bits. With bandwidth-efficient format, only the full payload is octet aligned resulting in the addition of fewer padding bits.

Format usage is specified by the optional AMR/AMR-WB octet-align parameter, which assumes one of two values: 0 (the default), indicating bandwidth-efficient format, or 1 indicating octet-aligned format. In the absence of the octet-align parameter, bandwidth-efficient format is employed.

A mismatch of offer/answer octet-align values requires transcoding as shown in the following table, where N/P indicates the absence of the octet-align parameter.

octet-align  
Values

Offer	Answer	Format	Transcoding Required
0	0	bandwidth-efficient	No
1	1	octet-aligned	No
0	1	mismatch	Yes
1	0	mismatch	Yes
N/P	N/P	bandwidth-efficient	No
N/P	0	bandwidth-efficient	No
N/P	1	mismatch	Yes
0	N/P	bandwidth-efficient	No
1	N/P	mismatch	Yes

## AMR AMR-WB mode-set Parameter

AMR/AMR-WB codecs support 8 standard encoding modes as shown in the following table.

Frame Content	Mode Indicator	Frame Content
AMR 4.75 kbit/sec	0	AMR-WB 6.60 kbit/sec
AMR 5.15 kbit/sec	1	AMR-WB 8.85 kbit/sec
AMR 5.90 kbit/sec	2	AMR-WB 12.65 kbit/sec
AMR 6.70 kbit/sec	3	AMR-WB 14.25 kbit/sec
AMR 7.40 kbit/sec	4	AMR-WB 15.85 kbit/sec
AMR 7.95 kbit/sec	5	AMR-WB 18.25 kbit/sec
AMR 10.2 kbit/sec	6	AMR-WB 19.85 kbit/sec
AMR 12.2 kbit/sec	7	AMR-WB 23.05 kbit/sec

The optional AMR/AMR-WB mode-set parameter can be used to restrict the session mode set to a sub-set of the 8 standard modes. If a mode-set is specified, it must be honored, and frames encoded with modes not specified within the sub-set must not be sent in any RTP payload or used in codec mode requests. In the absence of a mode-set parameter, the inclusive mode-set (0,1,2,3,4,5,6,7) provides the default value.

## Other AMR AMR-WB Parameters

AMR/AMR-WB support the following additional optional parameters. These parameters are irrelevant in the transcoding decision process. However, they can change the SDP in the answer returned to the session initiator.

channels	mode-change-neighbor
crc	mode-change-period
interleaving	mode-set
max-red	octet-align
maxtime	ptime
mode-change-capability	robust-sorting

## Examples and Explanations

The following sections illustrate scenarios of various levels of complexity.

Basic Scenarios illustrate default-based offer/answer exchanges. In the absence of explicitly configured AMR/AMR-WB octet-align parameter in the original offer or

answer, both the initiator and the responder opt for bandwidth efficient payload format. In a similar fashion, the absence of an AMR/AMR-WB mode-set parameter indicates mutual acceptance of the inclusive mode-set (0,1,2,3,4,5,6,7). This section also includes examples of intersecting mode-sets.

Advanced Scenarios illustrate offer/answer exchanges that contain AMR or AMR-WB mode-set parameters.

SDP examples contain rtpmap and fmpmap attributes whose syntax is described in the following two sections.

## rtpmap Attribute

The rtpmap attribute takes the form:

```
a=rtpmap:<payloadType> <encodingName>/<clockRate>[/audioChannels]
```

payloadType: contains a dynamically-assigned RTP payload type as specified in RFC 3551, RTP Profile for Audio and Video Conferences with Minimal Control. The Internet Assigned Numbers Authority (IANA) has designated RTP payload types 96 through 127 as available for dynamic assignment.

encodingName: contains the codec identifier (AMR or AMR-WB in the following tables).

clockRate: contains the sampling rate.

audioChannels: (used only for audio streams, and optional) contains the number of audio channels — not used in transcoding decisions.

## fmpmap Attribute

The fmpmap attribute shown in the following tables takes the form:

```
a=fmpmap:<amrParameter> <parameterValues>
```

amrParameter contains one of the AMR/AMR-WB RTP-specific parameters listed below.

```
channels  
crc  
interleaving  
max-red  
maxtime  
mode-change-capability  
mode-change-neighbor  
mode-change-period  
mode-set  
octet-align  
ptime  
robust-sorting
```

parameterValue: contains the value of the specified parameter.



## Basic Scenarios

Examples provided in this section are supported by the following codec policy and media profiles.

```
codec-policy
  name      net192
  allow-codecs      *
  add-codecs-on-egress      AMR::PT96 AMR-WB::PT97 AMR::PT98
  AMR-WB::PT99
  order-codecs
  force-ptime      disabled
  packetization-time      30
  dtmf-in-audio      disabled
```

```
media-profile
  name          AMR
  subname       PT96
  media-type    audio
  payload-type  96
  transport     RTP/AVP
  req-bandwidth      0
  frames-per-packet  0
  parameters
  average-rate-limit      0
  peak-rate-limit         0
  max-burst-size          0
  sdp-rate-limit-headroom 0
  sdp-bandwidth           disabled
  police-rate             0
  standard-pkt-rate       0
```

```
media-profile
  name          AMR-WB
  subname       PT97
  media-type    audio
  payload-type  97
  transport     RTP/AVP
  req-bandwidth      0
  frames-per-packet  0
  parameters
  average-rate-limit      0
  peak-rate-limit         0
  max-burst-size          0
  sdp-rate-limit-headroom 0
  sdp-bandwidth           disabled
  police-rate             0
  standard-pkt-rate       0
```

```
media-profile
  name          AMR
```

```

subname                PT98
media-type             audio
payload-type           98
transport              RTP/AVP
req-bandwidth          0
frames-per-packet      0
parameters             mode-set="0,1,2,3"
average-rate-limit     0
peak-rate-limit        0
max-burst-size         0
sdp-rate-limit-headroom 0
sdp-bandwidth          disabled
police-rate            0
standard-pkt-rate      0

```

```

media-profile
  name                 AMR-WB
  subname              PT99
  media-type           audio
  payload-type         99
  transport            RTP/AVP
  req-bandwidth        0
  frames-per-packet    0
  parameters           mode-set="0,1,2,3"
  average-rate-limit   0
  peak-rate-limit      0
  max-burst-size       0
  sdp-rate-limit-headroom 0
  sdp-bandwidth        disabled
  police-rate          0
  standard-pkt-rate    0

```

The following SDP reflects the case where the session responder answers with the same codec and payload type as presented by the session initiator.

SDP	Contents
Offer received from session initiator	<ul style="list-style-type: none"> <li>• m=audio xx RTP/AVP 96</li> <li>• a=rtpmap:96 AMR/8000</li> <li>• INVITE SDP (partial, codec information only)</li> </ul>
Offer sent to responder (per the net192 codec policy)	<ul style="list-style-type: none"> <li>• m=audio xx RTP/AVP 97 98 99 96</li> </ul>
from AMR-WB/PT97 media profile	<ul style="list-style-type: none"> <li>• a=rtpmap:97 AMR-WB/16000/1</li> </ul>
from AMR-WB/PT98 media profile	<ul style="list-style-type: none"> <li>• a=rtpmap:98 AMR/8000</li> <li>• a=fmtp:98 mode-set=0,1,2,3</li> </ul>
from AMR-WB/PT99 media profile	<ul style="list-style-type: none"> <li>• a=rtpmap:99 AMR-WB/16000/1</li> <li>• a=fmtp:99 mode-set=0,1,2,3</li> </ul>
initiator offer	<ul style="list-style-type: none"> <li>• a=rtpmap:96 AMR/8000</li> </ul>
Answer received from responder	<ul style="list-style-type: none"> <li>• m=audio xx RTP/AVP 96</li> <li>• a=rtpmap:96 AMR/8000</li> </ul>

SDP	Contents
Answer sent to initiator	<ul style="list-style-type: none"> <li>• m=audio xx RTP/AVP 96</li> <li>• a=rtpmap:96 AMR/8000</li> </ul>

Codecs	Match	Values
codec	match	AMR/AMR
payload formats	match	bandwidth-efficient (default value)
mode-sets	match	inclusive mode-set (0,1,2,3,4,5,6,7)
payload mapping	match	96/96

Here, given the identical offer and answer, neither transcoding nor payload type mapping is required.

The following SDP reflects the case where the session responder answers with the codec offered by the session initiator, but with a different payload type.

SDP	Contents
Offer received from session initiator	<ul style="list-style-type: none"> <li>• m=audio xx RTP/AVP 96</li> <li>• a=rtpmap:96 AMR/8000</li> <li>• INVITE SDP (partial, codec information only)</li> </ul>
Offer sent to responder (per the net192 codec policy)	<ul style="list-style-type: none"> <li>• m=audio xx RTP/AVP 97 98 99 96</li> </ul>
from AMR-WB/PT97 media profile	<ul style="list-style-type: none"> <li>• a=rtpmap:97 AMR-WB/16000/1</li> </ul>
from AMR-WB/PT98 media profile	<ul style="list-style-type: none"> <li>• a=rtpmap:98 AMR/8000</li> <li>• a=fmtp:98 mode-set=0,1,2,3</li> </ul>
from AMR-WB/PT99 media profile	<ul style="list-style-type: none"> <li>• a=rtpmap:99 AMR-WB/16000/1</li> <li>• a=fmtp:99 mode-set=0,1,2,3</li> </ul>
initiator offer	<ul style="list-style-type: none"> <li>• a=rtpmap:96 AMR/8000</li> </ul>
Answer received from responder	<ul style="list-style-type: none"> <li>• m=audio xx RTP/AVP 97</li> <li>• a=rtpmap:97 AMR/8000</li> </ul>
Answer sent to initiator	<ul style="list-style-type: none"> <li>• m=audio xx RTP/AVP 96</li> <li>• a=rtpmap:96 AMR/8000</li> </ul>

Codecs	Match	Values
codecs	match	AMR/AMR
payload formats	match	bandwidth-efficient (default value)
mode-sets	match	inclusive mode-set (0,1,2,3,4,5,6,7)
payload mapping	no match	96/97

Here, given the identical offer/answer except for the payload type, transcoding is not required; payload type mapping is used.

The following SDP reflects the case where the session responder answers with a codec not offered by the session initiator.

SDP	Contents
Offer received from session initiator	<ul style="list-style-type: none"> <li>• m=audio xx RTP/AVP 96</li> <li>• a=rtpmap:96 AMR/8000</li> <li>• INVITE SDP (partial, codec information only)</li> </ul>
Offer sent to responder (per the net192 codec policy)	<ul style="list-style-type: none"> <li>• m=audio xx RTP/AVP 97 98 99 96</li> </ul>
from AMR-WB/PT97 media profile	<ul style="list-style-type: none"> <li>• a=rtpmap:97 AMR-WB/16000/1</li> </ul>
from AMR-WB/PT98 media profile	<ul style="list-style-type: none"> <li>• a=rtpmap:98 AMR/8000</li> <li>• a=fmtp:98 mode-set=0,1,2,3</li> </ul>
from AMR-WB/PT99 media profile	<ul style="list-style-type: none"> <li>• a=rtpmap:99 AMR-WB/16000/1</li> <li>• a=fmtp:99 mode-set=0,1,2,3</li> </ul>
initiator offer	<ul style="list-style-type: none"> <li>• a=rtpmap:96 AMR/8000</li> </ul>
Answer received from responder	<ul style="list-style-type: none"> <li>• m=audio xx RTP/AVP 97</li> <li>• a=rtpmap:97 AMR/16000</li> </ul>
Answer sent to initiator	<ul style="list-style-type: none"> <li>• m=audio xx RTP/AVP 96</li> <li>• a=rtpmap:96 AMR/8000</li> </ul>

Codecs	Match	Values
codecs	no match	AMR/AMR-WB
payload formats	match	bandwidth-efficient (default value)
mode-sets	match	inclusive mode-set (0,1,2,3,4,5,6,7)
payload mapping	no match	96/97

Here, given that the offer and answer codecs (AMR and AMR-WB) are not identical, transcoding is required.

The following SDP reflects the case where the offer specifies the inclusive mode-set, and the answer specifies a non-inclusive mode-set.

SDP	Contents
Offer received from session initiator	<ul style="list-style-type: none"> <li>• m=audio xx RTP/AVP 96</li> <li>• a=rtpmap:96 AMR/8000</li> <li>• INVITE SDP (partial, codec information only)</li> </ul>
Offer sent to responder (per the net192 codec policy)	<ul style="list-style-type: none"> <li>• m=audio xx RTP/AVP 97 98 99 96</li> </ul>
from AMR-WB/PT97 media profile	<ul style="list-style-type: none"> <li>• a=rtpmap:97 AMR-WB/16000/1</li> </ul>
from AMR-WB/PT98 media profile	<ul style="list-style-type: none"> <li>• a=rtpmap:98 AMR/8000</li> <li>• a=fmtp:98 mode-set=0,1,2,3</li> </ul>
from AMR-WB/PT99 media profile	<ul style="list-style-type: none"> <li>• a=rtpmap:99 AMR-WB/16000/1</li> <li>• a=fmtp:98 mode-set=0,1,2,3</li> </ul>
initiator offer	<ul style="list-style-type: none"> <li>• a=rtpmap:96 AMR/8000</li> </ul>
Answer received from responder	<ul style="list-style-type: none"> <li>• m=audio xx RTP/AVP 98</li> <li>• a=rtpmap:96 AMR/8000</li> <li>• a=fmtp: 98 mode-set=0,1,2,3</li> </ul>
Answer sent to initiator	<ul style="list-style-type: none"> <li>• m=audio xx RTP/AVP 96</li> <li>• a=rtpmap:96 AMR/8000</li> </ul>

Codecs	Match	Values
codecs	match	AMR/AMR-WB
payload formats	match	bandwidth-efficient (default value)
mode-sets	intersect	(0,1,2,3,4,5,6,7) / (0,1,2,3)
payload mapping	no match	96/98

Here, given that the answer mode-set (0,1,2,3) intersects with the offered mode-set (0,1,2,3,4,5,6,7), transcoding is not required; payload type mapping is used.

The following SDP reflects the case where the offer specifies a non-inclusive mode-set, and the answer specifies the inclusive mode-set.

SDO	Contents
Offer received from session initiator	<ul style="list-style-type: none"> <li>• m=audio xx RTP/AVP 98</li> <li>• a=rtpmap:98 AMR/8000</li> <li>• a=fmtp:98 mode-set=0,1,2,3</li> <li>• INVITE SDP (partial, codec information only)</li> </ul>
Offer sent to responder (per the net192 codec policy)	<ul style="list-style-type: none"> <li>• m=audio xx RTP/AVP 96 97 99 98</li> </ul>
from AMR/PT96 media profile	<ul style="list-style-type: none"> <li>• a=rtpmap:96 AMR/8000</li> </ul>
from AMR-WB/PT97 media profile	<ul style="list-style-type: none"> <li>• a=rtpmap:97 AMR-WB/16000/1</li> </ul>
from AMR-WB/PT99 media profile	<ul style="list-style-type: none"> <li>• a=rtpmap:99 AMR-WB/16000/1</li> <li>• a=fmtp:99 mode-set=0,1,2,3</li> </ul>
initiator offer	<ul style="list-style-type: none"> <li>• a=rtpmap:98 AMR/8000</li> <li>• a=fmtp:98 mode-set=0,1,2,3</li> </ul>
Answer received from responder	<ul style="list-style-type: none"> <li>• m=audio xx RTP/AVP 96</li> <li>• a=rtpmap:96 AMR/8000</li> </ul>
Answer sent to initiator	<ul style="list-style-type: none"> <li>• m=audio xx RTP/AVP 98</li> <li>• a=rtpmap:98 AMR/8000</li> <li>• a=fmtp:98 mode-set=0,1,2,3</li> </ul>

Codecs	Match	Values
codecs	match	AMR/AMR
payload formats	match	bandwidth-efficient (default value)
mode-sets	intersect	(0,1,2,3) / (0,1,2,3,4,5,6,7)
payload mapping	no match	98/96

Here, given that the offer mode-set (0,1,2,3) intersects with the answer mode-set (0,1,2,3,4,5,6,7), transcoding is not required; payload type mapping is used.

## Advanced Scenarios

Examples provided in this first section are supported by the following codec policy and media profile.

```

codec-policy
  name net182
  allow-codecs *
```

```

add-codecs-on-egress    AMR::PT97-5-6-7
order-codecs
force-ptime             disabled
packetization-time     20
dtmf-in-audio          disabled

media-profile
  name                  AMR
  subname               PT97-5-6-7
  media-type            audio
  payload-type          97
  transport             RTP/AVP
  req-bandwidth         0
  frames-per-packet    0
  parameters            mode-set="5,6,7"
  average-rate-limit    0
  peak-rate-limit       0
  max-burst-size        0
  sdp-rate-limit-headroom 0
  sdp-bandwidth         disabled
  police-rate           0
  standard-pkt-rate     0

```

The following SDP reflects the case where the offer and answer specify non-matching mode-sets.

SDP	Contents
Offer received from session initiator	<ul style="list-style-type: none"> <li>m=audio xx RTP/AVP 96</li> <li>a=rtpmap:96 AMR/8000</li> <li>a=fmtp:96 mode-set=0,1,2,3,4</li> <li>INVITE SDP (partial, codec information only)</li> </ul>
Offer sent to responder (per the net192 codec policy) from AMR/PT97-5-6-7 media profile	<ul style="list-style-type: none"> <li>m=audio xx RTP/AVP 97 96</li> <li>a=rtpmap:97 AMR/8000</li> <li>a=fmtp:97 mode-set=5,6,7</li> </ul>
initiator offer	<ul style="list-style-type: none"> <li>a=rtpmap:96 AMR/8000</li> <li>a=fmtp:96 mode-set=1,2,3,4</li> </ul>
Answer received from responder	<ul style="list-style-type: none"> <li>m=audio xx RTP/AVP 97</li> <li>a=rtpmap:97 AMR/8000</li> <li>a=fmtp:97 mode-set=5,6,7</li> </ul>
Answer sent to initiator	<ul style="list-style-type: none"> <li>m=audio xx RTP/AVP 96</li> <li>a=rtpmap:96 AMR/8000</li> <li>a=fmtp:96 mode-set=0,1,2,3,4</li> </ul>

Codecs	Match	Values
codecs	match	AMR/AMR
payload formats	match	bandwidth-efficient (default value)
mode-sets	no match	(1,2,3,6) / (5,6,7)
payload mapping	no match	96/97

Here, given that the offer mode-set (1,2,3,4) does not intersect with the answer mode-set (5,6,7), transcoding is required.

The following SDP reflects the case where the offer and answer specify intersecting mode-sets.

SDP	Contents
Offer received from session initiator	<ul style="list-style-type: none"> <li>• m=audio xx RTP/AVP 96</li> <li>• a=rtpmap:96 AMR/8000</li> <li>• a=fmtp:96 mode-set=0,1,2,3,4</li> <li>• INVITE SDP (partial, codec information only)</li> </ul>
Offer sent to responder (per the net192 codec policy) from AMR/PT97-5-6-7 media profile	<ul style="list-style-type: none"> <li>• m=audio xx RTP/AVP 97 96</li> <li>• a=rtpmap:97 AMR/8000</li> <li>• a=fmtp:97 mode-set=5,6,7</li> </ul>
initiator offer	<ul style="list-style-type: none"> <li>• a=rtpmap:96 AMR/8000</li> <li>• a=fmtp:96 mode-set=1,2,3,4</li> </ul>
Answer received from responder	<ul style="list-style-type: none"> <li>• m=audio xx RTP/AVP 97</li> <li>• a=rtpmap:97 AMR/8000</li> <li>• a=fmtp:97 mode-set=4,5,6,7</li> </ul>
Answer sent to initiator	<ul style="list-style-type: none"> <li>• m=audio xx RTP/AVP 96</li> <li>• a=rtpmap:96 AMR/8000</li> <li>• a=fmtp:96 mode-set=0,1,2,3,4</li> </ul>

Codecs	Match	Values
codecs	match	AMR/AMR
payload formats	match	bandwidth-efficient (default value)
mode-sets	no match	(1,2,3,4) / (4,5,6,7)
payload mapping	no match	96/97

Here, given that the offer mode-set (1,2,3,4) intersects with the answer mode-set (4,5,6,7), transcoding is not required; payload type mapping is used.

Examples provided in this next section are supported by the following codec policy and media profiles.

```

codec-policy
  name net192
  allow-codecs *
  add-codecs-on-egress AMR::PT96-MAXRED AMR::PT97-BE-0257
  AMR::PT98-OA AMR::PT99-OA-0257
  order-codecs
  force-ptime disabled
  packetization-time 20
  dtmf-in-audio disabled

media-profile
  name AMR
  subname PT96-MAXRED
  media-type audio
  
```

```
payload-type          96
transport             RTP/AVP
req-bandwidth        0
frames-per-packet    0
parameters           max-red=220
average-rate-limit   0
peak-rate-limit      0
max-burst-size       0
sdp-rate-limit-headroom 0
sdp-bandwidth        disabled
police-rate          0
standard-pkt-rate    0

media-profile
  name                AMR
  subname             PT97-BE-0257
  media-type          audio
  payload-type        97
  transport           RTP/AVP
  req-bandwidth       0
  frames-per-packet   0
  parameters          mode-set="0,2,5,7"
  average-rate-limit  0
  peak-rate-limit     0
  max-burst-size      0
  sdp-rate-limit-headroom 0
  sdp-bandwidth       disabled
  police-rate         0
  standard-pkt-rate   0

media-profile
  name                AMR
  subname             PT98-OA
  media-type          audio
  payload-type        98
  transport           RTP/AVP
  req-bandwidth       0
  frames-per-packet   0
  parameters          octet-align=1
  average-rate-limit  0
  peak-rate-limit     0
  max-burst-size      0
  sdp-rate-limit-headroom 0
  sdp-bandwidth       disabled
  police-rate         0
  standard-pkt-rate   0

media-profile
  name                AMR
  subname             PT99-OA-0257
  media-type          audio
  payload-type        99
```



```

transport                RTP/AVP
req-bandwidth            0
frames-per-packet        0
parameters               mode-set="0,2,5,7",octet-align=1
average-rate-limit        0
peak-rate-limit          0
max-burst-size           0
sdp-rate-limit-headroom  0
sdp-bandwidth            disabled
police-rate              0
standard-pkt-rate        0

```

The following SDP reflects the case where the offer and answer differ only in the inclusion of an AMR/AMR-WB parameter in the answer.

SDP	Contents
Offer received from session initiator	<ul style="list-style-type: none"> <li>• m=audio xx RTP/AVP 96</li> <li>• a=rtpmap:96 AMR/8000</li> <li>• INVITE SDP (partial, codec information only)</li> </ul>
Offer sent to responder (per the net192 codec policy)	<ul style="list-style-type: none"> <li>• m=audio xx RTP/AVP 97 98 99 96</li> </ul>
from AMR/PT97-BE-0257 media profile	<ul style="list-style-type: none"> <li>• a=rtpmap:97 AMR/8000</li> <li>• a=fmtp:97 mode-set=0,2,5,7</li> </ul>
from AMR/PT98-OA media profile	<ul style="list-style-type: none"> <li>• a=rtpmap:98 AMR/8000</li> <li>• a=fmtp:98 octet-align=1</li> </ul>
from AMR/PT99-OA-0257 media profile	<ul style="list-style-type: none"> <li>• a=rtpmap:99 AMR/8000</li> <li>• a=fmtp:99 mode-set=0,2,5,7 octet-align=1</li> </ul>
initiator offer	<ul style="list-style-type: none"> <li>• a=rtpmap:96 AMR/8000</li> </ul>
Answer received from responder	<ul style="list-style-type: none"> <li>• m=audio xx RTP/AVP 96</li> <li>• a=rtpmap:96 AMR/8000</li> <li>• a=fmtp:96 max-red=220</li> </ul>
Answer sent to initiator	<ul style="list-style-type: none"> <li>• m=audio xx RTP/AVP 96</li> <li>• a=rtpmap:96 AMR/8000</li> <li>• a=fmtp:96 max-red=220</li> </ul>

Codecs	Match	Values
codecs	match	AMR/AMR
payload formats	match	bandwidth-efficient (default value)
mode-sets	match	inclusive mode-set (0,1,2,3,4,5,6,7)
payload mapping	match	96/96

Here, given that the offer/answer are identical except for the AMR max-red parameter, neither transcoding nor payload type matching is required.

The following SDP reflects the case where the offer and answer differ only in the inclusion of an AMR/AMR-WB parameter in the offer.

SDP	Contents
Offer received from session initiator	<ul style="list-style-type: none"> <li>• m=audio xx RTP/AVP 97</li> <li>• a=rtpmap:97 AMR/8000</li> <li>• a=fmtp:97 mode-set=0,2,5,7</li> <li>• a=fmtp:97 max-red=220</li> <li>• INVITE SDP (partial, codec information only)</li> </ul>
Offer sent to responder (per the net192 codec policy)	<ul style="list-style-type: none"> <li>• m=audio xx RTP/AVP 96 98 99 97</li> </ul>
from AMR/PT96-MAXRED media profile	<ul style="list-style-type: none"> <li>• a=rtpmap:96 AMR/8000</li> <li>• a=fmtp:96 max-red=220</li> </ul>
from AMR/PT98-OA media profile	<ul style="list-style-type: none"> <li>• a=rtpmap:98 AMR/8000</li> <li>• a=fmtp:98 octet-align=1</li> </ul>
from AMR/PT99-OA-0257 media profile	<ul style="list-style-type: none"> <li>• a=rtpmap:99 AMR/8000</li> <li>• a=fmtp:99 mode-set=0,2,5,7 octet-align=1</li> </ul>
initiator offer	<ul style="list-style-type: none"> <li>• a=rtpmap:97 AMR/8000</li> <li>• a=fmtp:97 mode-set=0,2,5,7 max-red=220</li> </ul>
Answer received from responder	<ul style="list-style-type: none"> <li>• m=audio xx RTP/AVP 97</li> <li>• a=rtpmap:97 AMR/8000</li> <li>• a=fmtp:97 mode-set=0,2,5,7</li> </ul>
Answer sent to initiator	<ul style="list-style-type: none"> <li>• m=audio xx RTP/AVP 97</li> <li>• a=rtpmap:97 AMR/8000</li> <li>• a=fmtp:97 mode-set=0,2,5,7</li> </ul>

Codecs	Match	Values
codecs	match	AMR/AMR
payload formats	match	bandwidth-efficient (default value)
mode-sets	match	(0,2,5,7) / (0,2,5,7)
payload mapping	match	97/97

Here, given that the offer/answer are identical except for the AMR max-red parameter, neither transcoding nor payload type matching is required.

## ACLI Configuration

To enable AMR Mode-set payload type SDP rewriting:

1. Navigate to the media-manager-config element.

```
ACMEPACKET# configure terminal
ACMEPACKET(configure)# media-manager
ACMEPACKET(media-manager)# media-manager-config
ACMEPACKET(media-manager-config)#
```

- options—Set the options parameter by typing options, a Space, the option-name audio-payload-type-mapping=yes with a “plus” sign in front of it, and then press Enter.

```
ACMEPACKET(media-manager-config)# options +audio-payload-type-
mapping=yes
```

If you type the option without the “plus” sign, you will overwrite any previously configured options. In order to append the new options to the SIP interface configuration’s options list, you must prepend the new option with a “plus” sign as shown in the previous example.

- Save and activate your configuration.

## EVS Codec Transcoding Support

Enhanced Voice Services (EVS) is a super-wideband speech audio codec developed by 3GPP and documented in TS 26.441. EVS supports source-controlled variable bit rate, sampling rates of 8, 16, 32, or 48 kHz, dynamic payload type, and an interoperability mode for AMR-WB. The Oracle® Enterprise Session Border Controller (E-SBC) supports typical transcoding features. EVS can also analyze traffic signaling, allowing it to change to the correct core EVS codec when necessary. These changes can occur at every 20ms frame boundary. The E-SBC also supports transcoding EVS to and from all supported transcodable codecs unless the EVS mode is using super-wideband or fullband EVS bandwidths.

EVS codec feature support includes:

- transrating
- transcoding
- pooled transcoding
- RTCP generation
- AMR-WB interoperability and payload-type mapping

Bitrate support per bandwidth includes:

- Narrowband (NB) — 5.9, 7.2, 8, 9.6, 13.2, 16.4, 24.4
- Wideband (WB) — 5.9, 7.2, 8, 9.6, 13.2, 13.2 channel-aware, 16.4, 24.4, 32, 48, 64, 96, 128 (6.6 ~ 23.85 for AMR-WB IO)
- Super-wideband (SWB) — 9.6, 13.2, 13.2 channel-aware, 16.4, 24.4, 32, 48, 64, 96, 128
- Fullband (FB) — 16.4, 24.4, 32, 48, 64, 96, 128

EVS data is always octet-aligned in both Primary and AMR-WB interoperability mode.

### Enabling the EVS Codec Feature

The E-SBC supports up to the full density for this codec in bins of 25. You enable EVS in groups of 25 with the **setup entitlements** command.

```
ORACLE# show entitlements
Provisioned Entitlements:
-----
```

```

Session Border Controller Base      : enabled
Session Capacity                    : 16000
  Accounting                         : enabled
  IPv4 - IPv6 Interworking          : enabled
  IWF (SIP-H323)                   : enabled
  Load Balancing                   : enabled
  Policy Server                     : enabled
  Quality of Service                : enabled
  Routing                           : enabled
  SIPREC Session Recording          : enabled
Admin Security                      : enabled
ANSSI R226 Compliance               :
IMS-AKA Endpoints                   : 0
IPSec Trunking Sessions              : 0
MSRP B2BUA Sessions                 : 0
SRTP Sessions                       : 0
Transcode Codec EVS                 : enabled
Transcode Codec EVS Capacity        : 25
TSCF Tunnels                        : 0

```

#### Keyed (Licensed) Entitlements

```

-----
LI
Transcode Codec AMR (25 AMR transcoding sessions)
Transcode Codec EVRC (25 EVRC transcoding sessions)
Transcode Codec Opus (25 OPUS transcoding sessions)
Transcode Codec SILK (25 SILK transcoding sessions)
ORACLE#

```

### Interoperation with AMR-WB

EVS' AMR-WB interoperable (IO) mode provides backwards compatibility with endpoints that support AMR-WB, but don't support EVS. Based on user configuration and SDP offers, AMR-WB IO mode allows the E-SBC to deliver media between such endpoints without using transcoding resources.

### EVS Supported Options

There are no required SDP Parameters for EVS. Some EVS parameters may have values that the E-SBC's DSP does not support. Supported values must be verified before the E-SBC makes transcoding decisions. If any of these parameter checks fail, the E-SBC marks the codec as non-transcodable.

Unless noted otherwise, see 3GPP TS 26.445 and related specifications for complete parameter documentation. Optional SDP parameters include:

- **ptime**—The length of time in milliseconds represented by the media in a packet. See RFC 4566 for more details.  
For both EVS Primary mode and EVS AMR-WB IO mode, the supported ptimes are 20, 40, and 60 ms.
- **maxptime**—The maximum amount of media that can be encapsulated in each packet, expressed as time in milliseconds. See RFC 4566 for more details.  
For both EVS Primary mode and EVS AMR-WB IO mode, the supported maxptimes are 20, 40, and 60 ms.

- **evs-mode-switch**—Specifies whether to support mode switching between Primary and EVS AMR-WB IO modes. The default of 0 specifies the use of primary mode.
- **hf-only**—Specifies whether to limit the session to header-full format. The default of 0 allows both compact and header-full format in both directions.
- **dtx**—Specifies whether or not to support discontinuous transmission. The default of 1 specifies that DTX is enabled.
- **dtx-recv**—Sets a further condition on whether or not to support discontinuous transmission in conjunction with the **dtx** parameter. The default of 1 enables dtx, dependent on the **dtx** setting.
- **max-red**—Specifies the maximum number of milliseconds allowed between the first transmission of a frame and a redundant transmission. See RFC 4867 for more details.
- **channels**—Specifies the number of audio channels, with a default of 1. The E-SBC supports only 1 channel for transcoding.
- **cmr**—Specifies whether codec mode request (CMR) is supported for the session. The default of 0 enables all CMR values.

The following parameters apply only to **EVS Primary** mode:

- **br**—Specifies, in kilobits per second, the range of source codec bit-rate for EVS Primary mode in the session for both send and receive directions.  
Source codec bit-rates for the EVS codec

Source codec bit-rate (kbit/s)	Audio bandwidths supported	Source Controlled Operation Available
5.9 (SC-VBR)	NB, WB	Yes (Always On)
7.2	NB, WB	Yes
8.0	NB, WB	Yes
9.6	NB, WB, SWB	Yes
13.2	NB, WB, SWB	Yes
13.2 (channel aware)	WB, SWB	Yes
16.4	NB, WB, SWB, FB	Yes
24.4	NB, WB, SWB, FB	Yes
32	WB, SWB, FB	Yes
48	WB, SWB, FB	Yes
64	WB, SWB, FB	Yes
96	WB, SWB, FB	Yes
128	WB, SWB, FB	Yes

If the given **br** value conflicts with the given **bw** value, the E-SBC DSP marks the codec as non-transcodable.

- **br-send**—Specifies, in kilobits per second, the range of source codec bit-rate for EVS Primary mode in the session for the send direction.  
If the given **br-send** value conflicts with the given **bw** value, the E-SBC DSP marks the codec as non-transcodable.

- **br-recv**—Specifies, in kilobits per second, the range of source codec bit-rate for EVS Primary mode in the session for the receive direction. The E-SBC's mbc/d/xserv independently decode whatever bit rate is received, so it is not necessary for the DSP to include br-recv when checking if the codec is transcodable
- **bw**—Specifies the audio bandwidth for EVS Primary mode to be used in the session for the send and the receive directions. For transcoding, the E-SBC DSP only supports nb, wb, and nb-wb.
- **bw-send**—Specifies the bandwidth to be used in the session for the send direction. For transcoding, the E-SBC DSP only supports nb, wb, and nb-wb.
- **bw-recv**—Specifies the bandwidth to be used in the session for the receive direction. For transcoding, the E-SBC DSP only supports nb, wb, and nb-wb.
- **ch-send**—Specifies the number of audio channels for the send direction. The default is 1.
- **ch-recv**—Specifies the number of audio channels for the receive direction. The default is 1.
- **ch-aw-recv**—Enumerated setting for channel-aware mode. The default of 0 specifies that partial redundancy mode is not used for the receive direction at the start of the session.

The following parameters apply only to **EVS AMR-WB IO** mode. Optional parameters of AMR-WB not defined below may not be used in the EVS AMR-WB IO mode.

- **mode-set**—Restricts the active codec mode set to a subset of all modes when the EVS codec operates in AMR-WB IO. Source codec bit-rates for the AMR-WB Interoperable Modes of the EVS codec

Mode Indicator	Source codec bit-rate (kbit/s)
0	6.6
1	8.85
2	12.65
3	14.25
4	15.85
5	18.25
6	19.85
7	23.05
8	23.85

 **Note:**

The E-SBC supports only mode-sets 0-7 for both AMR and AMR-WB.

- **mode-change-period**—Specifies a number of frame-blocks, N (1 or 2). This is the frame-block period at which codec mode changes are allowed for the sender. See RFC 4867 for more details.

- **mode-change-capability**—Specifies if the client is capable of transmitting with a restricted mode change period. See RFC 4867. The default, and only allowed value is 2 in EVS AMR-WB IO.
- **mode-change-neighbor**—Permissible values are 0 and 1. If 1, the sender SHOULD only perform mode changes to the neighboring modes in the active codec mode set. See RFC 4867 for more details.

### Default EVS Media Profile

By default, the E-SBC uses the following parameters for EVS, referenced in the configuration as **EVS**.

```
media-profile
  name          EVS
  subname
  media-type    audio
  payload-type
  transport     RTP/AVP
  clock-rate    16000
  req-bandwidth 0
  frames-per-packet 0
  parameters
  average-rate-limit 6000
  peak-rate-limit 0
  max-burst-size 0
  sdp-rate-limit-headroom 0
  sdp-bandwidth disabled
  police-rate   0
  standard-pkt-rate 0
  as-bandwidth 0
```

### CLI Commands

CLI command changes made to support EVS include:

- The **show sipd codecs** command includes **EVS Count**.
- The **show sipd transcode** command includes **EVS**.
- The **show xcode codecs** command includes **EVS-AMR-WB** sessions.

### SNMP

This section presents SNMP OID detail the E-SBC uses to support EVS.

ap-codec.mib

Object Name/OID	Description
apCodecRealmCountEVS 1.3.6.1.4.1.9148.3.7.1.1.1.33	The count of SDP media streams received in the realm that negotiated to the EVS codec.

The EVS realm statistic **apCodecRealmCountEVS** is available in the **apCodecRealmStatsEntry**.

ap-smgmt.mib

Object Name/OID	Description
apSysXCodeEVSCapacity 1.3.6.1.4.1.9148.3.2.1.1.49	The percentage of licensed EVS transcoding utilization (non pollable).
apSysMgmtXCodeEVSUtilGroup 1.3.6.1.4.1.9148.3.2.4.2.35	Object to monitor licensed EVS transcoding utilization.

New Traps—The new SNMP OID **apSysXCodeEVSCapacity** is added to transcoding utilization statistics, as reported in the **apSysMgmtGroupTrap**. When utilization falls below 80%, the system sends the **apSysMgmtGroupClearTrap**.

Trap Name (and Clear Trap Name)	Description
apSysMgmtCPULoadAvgTrap (apSysMgmtCPULoadAvgClearTrap)	The system generates the trap when the CPU Load Average Alarm exceeds its minor alarm threshold. The system sends the clear trap when the CPU load average recedes to the minor alarm level.

#### Capability MIB IODs

Object Name/OID	MIB file
apSmgmtXCodeEVSUtilCap 1.3.6.1.4.1.9148.2.1.8.59	ap-smgmt.mib
apCodecRealmCodecCap9 1.3.6.1.4.1.9148.2.1.13.11	ap-codec.mib

#### Alarms

The Licensed EVS Transcoding Capacity Threshold Alarm is a warning triggered when the EVS transcoding utilization exceeds 95% of licensed capacity. This alarm does not affect the system's health score. The system clears this alarm when the EVS transcoding utilization falls below 80% of licensed capacity.

#### RADIUS

The Acme-FlowType\_FS{1,2}\_{F,R} AVPs reflect the use of the EVS codec.

## EVS Configuration Detail

This section discusses aspects of E-SBC configuration that you must consider in addition to typical transcoding configuration for EVS.

#### Payload Type Mapping

The user enables EVS AMR-WB IO payload type mapping using the **media-manager-config** option **audio-payload-type-mapping=yes**. If the option is not present, EVS AMR-WB IO payload type mapping is disabled.

```
media-manager
...
options
audio-payload-type-mapping=yes
```



Furthermore, the **payload-type** is not critical as long as the **audio-payload-type-mapping=yes** option is configured. Normally the PTI used in the network is configured in the **payload-type** field. But the E-SBC matches against codec name/string instead of **payload-type**.

### Adding Codecs on Egress

When there is a codec update or re-negotiation from the original codec list, the user must ensure that use of the new codecs being offered is supported by the configuration of the **add-codecs-on-egress** field.

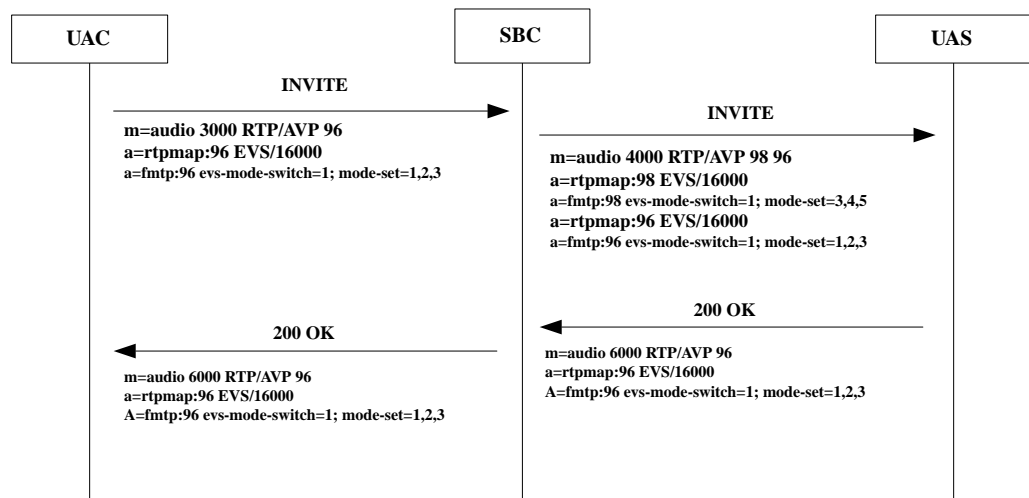
```

codec-policy
  name CoreFacingCodecs
  allow-codecs *
add-codecs-on-egress AMR-WB::NMS:(AMR-WB::NMS)
AMR::NMS:(AMR::NMS) AMR-WB::MSC:(!AMR::MSC)
AMR::MSC:(!AMR-WB::MSC)
order-codecs AMR-WB::NMS:(AMR-WB::NMS)
AMR::NMS:(AMR::NMS) * AMR-WB::MSC AMR::MSC
  
```

In the above example, AMR::MSC and AMR-WB::MSC are **media-profiles** defined for AMR and AMR-WB respectively, with the specifics of the new codecs being offered for the media update or re-negotiation.

### EVS Call Flow Example

The flow depicted below provides an example that uses the **audio-payload-type-mapping=yes** to enable payload type mapping. In addition, the flow uses **add-codecs-on-egress** configuration in the egress codec policy configured as **EVS::PT98**. The offer contains EVS in AMR-WB IO mode and the SBC adds EVS AMR-WB IO with a different payload type. The answer uses the added EVS. The offer and answer are both octet-aligned and they have intersecting mode-sets, so transcoding is not required and payload type mapping is used.



### Media Management

Additionally, **mm-in-realm** should be enabled in the core realm to enable transcoding for SRVCC deployments. Oracle also recommends that the user enable **codec-manip-in-realm** for these deployments.

## AMR-WB to EVS AMR-WB IO Transparent Call Example

This example explains how you can configure the E-SBC and applicable resources to support calls between EVS and AMR-WB endpoints without requiring transcoding, and therefore not consuming E-SBC transcoding resources. This use case, established by logic within the E-SBC, can accommodate calls in either direction.

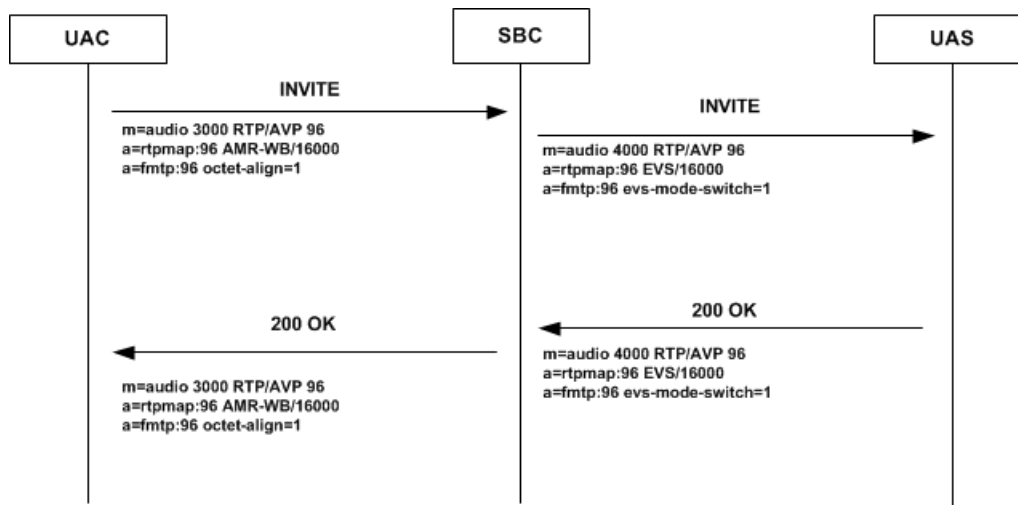
In this call flow a codec policy is set on the egress realm to not allow AMR-WB and to add EVS AMR-WB IO on egress. The offer contains AMR-WB. The E-SBC recognizes that the incoming AMR-WB codec matches the EVS codec to be added:

- They have the same octet-align
- EVS codec is in interoperable mode (evs-mode-switch=1)
- You have a media-profile configured that matches the parameters presented in the AMR-WB offer

The E-SBC strips AMR-WB and adds EVS with the same payload type as AMR-WB even though EVS is not configured with that payload type.

```
codec-policy
name Transparent-AMR-WB-IO
allow-codecs * AMR-WB:no
add-codecs-on-egress EVS::WBIO
force-ptime disabled
```

The call proceeds transparently between AMR-WB and EVS.



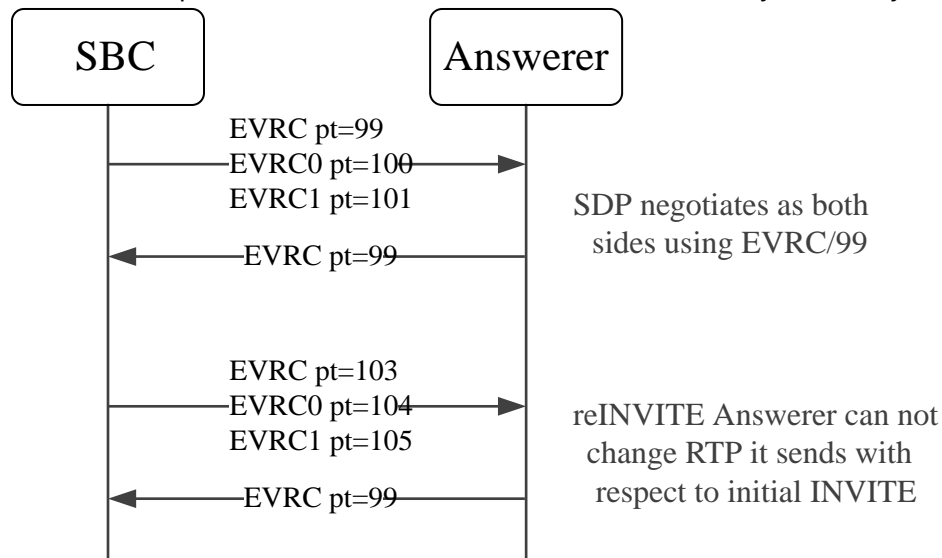
## Asymmetric Dynamic Payload Types Enablement

Transcoding Support for Asymmetric Dynamic Payload Types supports calls with asymmetric payload types such that a codec offered with one payload type and answered with another payload type is acceptable to the Oracle® Enterprise Session Border Controller. This behavior requires transcoding resources.

The Oracle® Enterprise Session Border Controller's default behavior when an endpoint answers an SDP offer with a different payload type than offered is to use

what the endpoint replied with as if that were what the Oracle® Enterprise Session Border Controller included in its SDP offer. The Oracle® Enterprise Session Border Controller would then expect to receive the same payload type that the endpoint offered. This is referred to as symmetric payload type mapping, whereby the payload type number is the same for both media flows.

The Oracle® Enterprise Session Border Controller needs to support the asymmetric case when codecs with dynamic payload types are used. For example, a call may be set up with the dynamic codec using one payload type value, and a reINVITE may use a different payload type value for the same codec. Because of the range of remote UE equipment's behavior in a reINVITE case, the Oracle® Enterprise Session Border Controller can support this via its Asymmetric Dynamic Payload Type feature. That is, some devices do not necessarily use the currently negotiated payload type, they may use previously negotiated payload types. As such devices interact with the default Oracle® Enterprise Session Border Controller behavior, one-way audio may result.



For transcoded calls, enabling this feature places no additional load on the system. But for calls that are not transcoded, this feature consumes transcoding resources.

## Configure Transcoding for Asymmetric Dynamic Payload Types

Transcoding support for asymmetric dynamic payload types enables the Oracle® Enterprise Session Border Controller to perform transcoding when the Real-time Transport Protocol (RTP) is offered with one payload type and is answered with another payload type. Enable transcoding for asymmetric dynamic payload types from the command line.

### Before You Begin

- Confirm that you are in Superuser mode.

### Procedure

1. Access the **media-manager-config** configuration element.

```

ORACLE# configure terminal
ORACLE(configure)# media-manager
    
```

```
ORACLE(media-manager)# media-manager
ORACLE(media-manager-config)#
```

2. Type **select** to begin editing.

```
ORACLE(media-manager-config)# select
```

```
ORACLE(media-manager-config)#
```

3. Use the **options +audio-allow-asymmetric-pt** command to enable support for asymmetric payload types.

```
ACMEPACKET#(media-manager) options +audio-allow-asymmetric-pt
ACMEPACKET#(media-manager)
```

4. Type **done** to save your configuration.

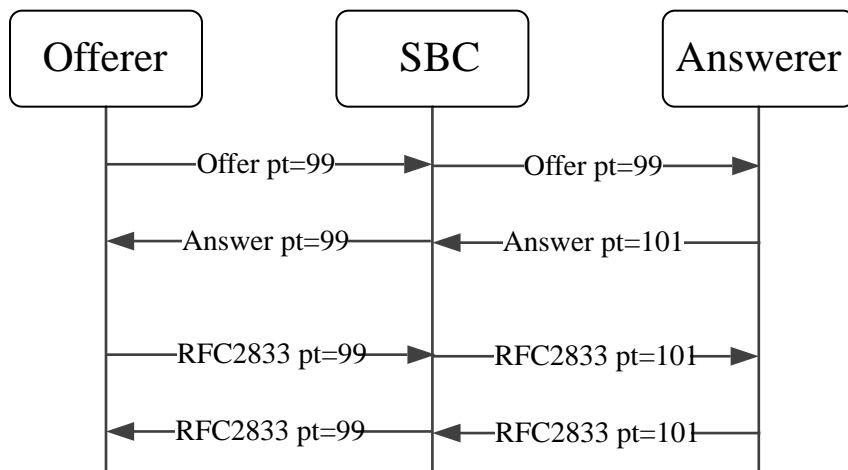
## Asymmetric Payload Type Support for RFC2833 Interworking

RFC3264 describes "asymmetric" behavior when each participant of a call leg sends can expect a different payload-type value for the RTP stream. Conversely, when the two participants in a call leg must send and receive an RTP stream using the same Payload Type value, the behavior is symmetric. The Oracle® Enterprise Session Border Controller can be configured to behave in an RFC-compliant manner, which is to support the asymmetric case. Symmetric-only cases are enforced by default.

### Default Symmetric RFC2833 Interworking

The Oracle® Enterprise Session Border Controller's default behavior when an endpoint answers an SDP offer with a different payload type value for RFC 2833 telephone-events than what the SBC sent, is to mimic what the Answerer replied with as the payload type value it (the SBC) will expect. This is referred to as symmetric payload type mapping, whereby the SBC sends RTP with the payload type value that the answerer replied with in the signaling phase of the call, and also expects that same payload type value when RTP is sent to it (despite having sent a different value in the initial SDP offer).

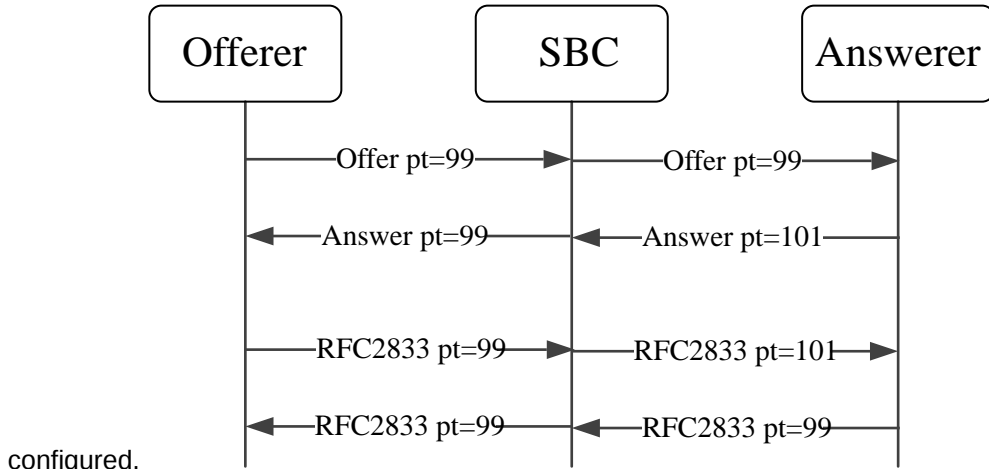
The following example shows the default behavior. When the Answerer returns PT 101, the Oracle® Enterprise Session Border Controller is prepared to enforce symmetric-only behavior on the egress realm by expecting RFC2833 packets with Payload Type 101, even though it offered Payload Type 99.



Since ingress-side behavior is to reply with the payload type offered, it expects payload type 99 and sends payload type 99. Thus to facilitate RFC2833 interworking, the payload types will be remapped from 99 -> 101 in the eastbound direction and 101 -> 99 in the westbound direction.

### Asymmetric RFC2833 Interworking

The Oracle® Enterprise Session Border Controller supports the asymmetric, RFC-compliant case by configuration. In this case, as the signaling is set up on the egress side of the call, the Oracle® Enterprise Session Border Controller indicates it expects to receive RFC2833 packets with Payload Type 99, while the answerer indicates it expects to receive RFC 2833 packets with Payload Type 101. This valid call state can be accommodated by the SBC when the **rfc2833-allow-asymmetric-pt** option is



configured.

Therefore, the Oracle® Enterprise Session Border Controller being able to support asymmetric payload types for RFC2833 packets, will remap from 99 ->101 in the eastbound direction and not have to remap the payload type value in the westbound direction.

The **rfc2833-allow-asymmetric-pt** option can be configured on a **sip-interface** or **session-agent** where this behavior is desired.

### RFC2833 Interworking With and Without Transcoding Resources

In addition to the above behavior, it is important to note that the Oracle® Enterprise Session Border Controller acts differently for forwarding media streams depending on if the call is transcoded or not. If the call is not transcoded, any RTP stream,

regardless of the payload type being different from what was negotiated in the signaling phase will be forwarded through the system as is. In either of the above examples, if the Answerer sends RFC2833 packets with payload type 105, that RTP stream will be forwarded to the ingress leg of the call, untouched by payload mapping. This behavior could potentially mask the fact that the Oracle® Enterprise Session Border Controller's egress interface is expecting a different payload type value than what is sent since the traffic is still forwarded to the ingress realm.

If the call is transcoded via **codec-policy**, any RTP stream that uses an unexpected payload type (as different from what was negotiated in the signaling phase) will be dropped by the system. In the above example, if the Answerer sends RFC2833 packets with payload type 105, that RTP stream will be dropped.

## Simultaneous Payload Type Mapping for Audio and DTMF

In addition to enabling audio payload type mapping for AMR and AMR-WB and enabling EVS AMR-WB IO payload type mapping, the **audio-payload-type-mapping** option, within the **media-manager**, configures the Oracle® Enterprise Session Border Controller (E-SBC) to support simultaneous payload type mapping for audio and DTMF RFC-2833 for AMR, AMR -WB, and EVS in AMR wideband IO mode. Payload type mapping requires fully compatible SDP, with the exception of the payload type number. Simultaneous audio and DTMF RFC 2833 payload type mapping also requires that the payload type numbers for audio and DTMF be different.

### ACLI Configuration

To enable simultaneous payload type mapping of audio and DTMF:

1. Navigate to the media-manager-config element.

```
ACMEPACKET# configure terminal
ACMEPACKET(configure)# media-manager
ACMEPACKET(media-manager)# media-manager-config
ACMEPACKET(media-manager-config)#
```

2. options—Set the options parameter by typing options, a Space, the option-name audio-payload-type-mapping=yes with a “plus” sign in front of it, and then press Enter.

```
ACMEPACKET(media-manager-config)# options +audio-payload-type-
mapping=yes
```

If you type the option without the “plus” sign, you will overwrite any previously configured options. In order to append the new options to the SIP interface configuration's options list, you must prepend the new option with a “plus” sign as shown in the previous example.

3. Save and activate your configuration.

## DTMF Indication over HD Audio Codecs

When performing DTMF transcoding while HD Audio codecs are present, Oracle® Enterprise Session Border Controller accounts for telephone-event tone indication at clock rates that match those of the HD audio codecs.

The `telephone-event` tone indication's clock rate, when sent alongside an HD codec, must match the audio codec's clock rate. While many non-HD codecs use 8000 Hz clock rates, HD codecs can use clock rates of 16000 Hz. Transcoding processing takes these two `telephone-event` clock rates into account when performing SDP manipulation. If the wrong clock rate is used, RFC2833 `telephone-event` indications may be relayed incorrectly.

On the ingress side of the call, if a `telephone-event` is received, and no audio codec with a matching clock rate is received, the ingress-side SDP response will have the unmatched `telephone-event` removed.

If the **allow-codec** parameter uses the `:no` tag to remove the last of an audio codec that matches a `telephone-event` (8000 or 16000) from SDP, then the `telephone-event` of that clock rate (if present) will be removed from the SDP too.

When codec policy dictates to add AMR-WB, and the received SDP contains PCMU/PCMA and `telephone-event` (8000), the SDP offer sent from the egress interface will include `telephone-event` (16000)

If **rfc2833-mode** is set to **preferred**, the Oracle® Enterprise Session Border Controller adds `telephone-event` 16000 to outbound SDP if AMR-WB is present in the outbound SDP.

On the egress side of the call if the SDP contains a `telephone-event` without an audio codec with a matching clock rate, an appropriate audio codec will be added. If codec policy adds a `telephone-event`, then the SBC analyzes the audio codecs in the outbound SDP and ensures that matching telephone events (8000 and/or 16000) are present.

Once the Oracle® Enterprise Session Border Controller determines the SDP to forward, the order of `telephone-event` clock rates will be modified to match the order of audio codec rates. Thus if AMR-WB is the top codec followed by codecs with 8000 Hz clock rates, the `telephone-event` with a clock rate of 16000 Hz will be listed above `telephone-event`s with 8000 Hz clock rates.

## RFC2833 and KPML Interworking

Keypad Markup Language (KPML) is used to indicate DTMF tones in SIP messaging. KPML is used by the Key Press Stimulus Package as a SIP Event Notification Package. Endpoints will send DTMF tone indications via NOTIFY messages. The Oracle® Enterprise Session Border Controller can engage in the Event Notification with an endpoint on one call leg and perform digit translation to RFC 2833 `telephone-event`s on the other call leg.

### KPML to RFC2833

KPML to RFC2833 interworking requires that the INVITE request or response's SDP does not contain `telephone-event`, and is received from

- A session agent with **kpml-2833-interworking** set to enabled
- A session agent with **kpml-2833-interworking** set to inherited from the SIP interface (with **kpml-2833-interworking** set to enabled)
- A previous hop that is not a session agent, and the SIP interface the message received on has **kpml-2833-interworking** set to enabled.

The egress side of the call must have **rfc2833-mode** set to **preferred** in either the SIP interface or session agent, so that the Oracle® Enterprise Session Border Controller inserts `telephone-event` in the SDP. Setting **rfc2833-mode** to `dual` is unsupported. The answerer must respond to the invite accepting of `telephone-event` media. The `Allow-Event: kpml` header is removed from the INVITE request or response when KPML-interworking is not set to enabled on the next hop.

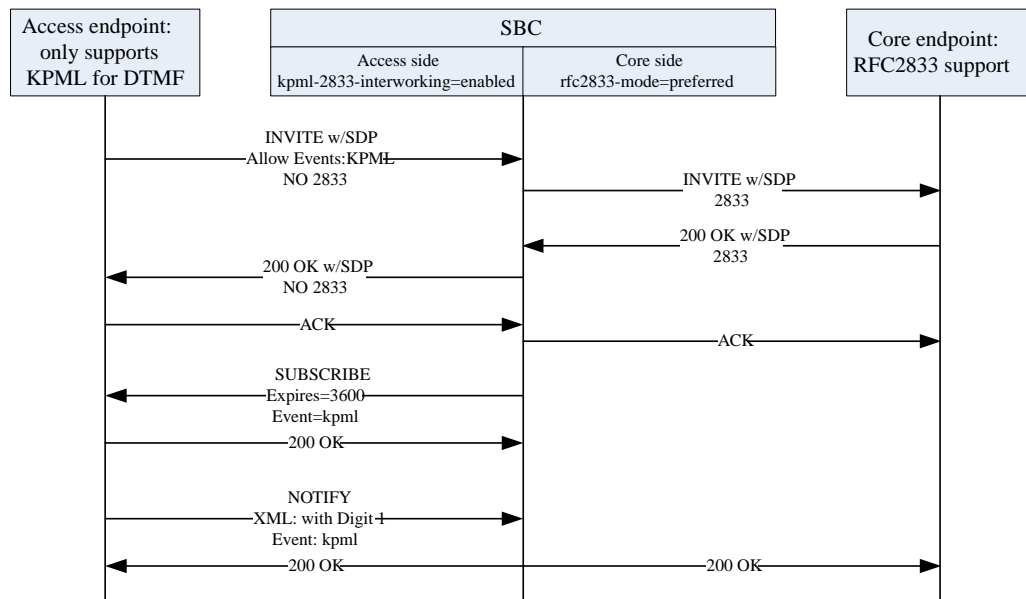
If the INVITE succeeds, the Oracle® Enterprise Session Border Controller replies with a SUBSCRIBE request for the KPML event to the caller.

If the caller replies to the SUBSCRIBE with a 2xx, all subsequent NOTIFY request received on the dialog are processed and replied to with a 200 OK. Each digit in the NOTIFY request will generate a `telephone-event` on the egress side of the call.

The Oracle® Enterprise Session Border Controller generates a refresh SUBSCRIBE before the subscription expires.

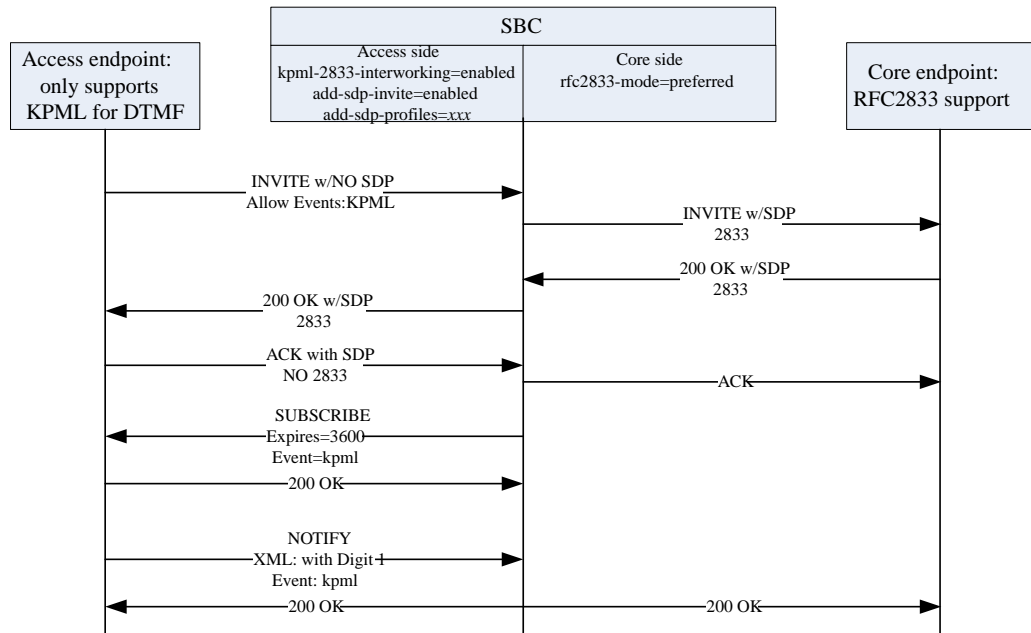
If the call negotiates to RFC 2833 to RFC 2833, no KPML interworking will be performed.

The following diagram shows the standard case where KPML to RFC 2833 interworking is performed.



KPML to RFC 2833 translation is also supported when used in conjunction with SDP insertion on the KPML side of the call. For example:





### RFC 2833 to KPML

RFC2833 to KPML interworking requires that the INVITE request or response's does not contain `Allow-Event: kpml`. When sending an INVITE when RFC2833 interworking applies, an `Allow-Event: kpml` header is added to the INVITE when the message's next hop on egress is either :

- A session agent with **kpml-2833-interworking** set to enabled
- A session agent with **kpml-2833-interworking** set to inherited from the SIP interface (with **kpml-2833-interworking** set to enabled)
- Not a session agent, and the SIP interface the message is sent from has **kpml-2833-interworking** set to enabled.

If the scenario passes the above test and the `Allow-Event: kpml` header is added to the INVITE:

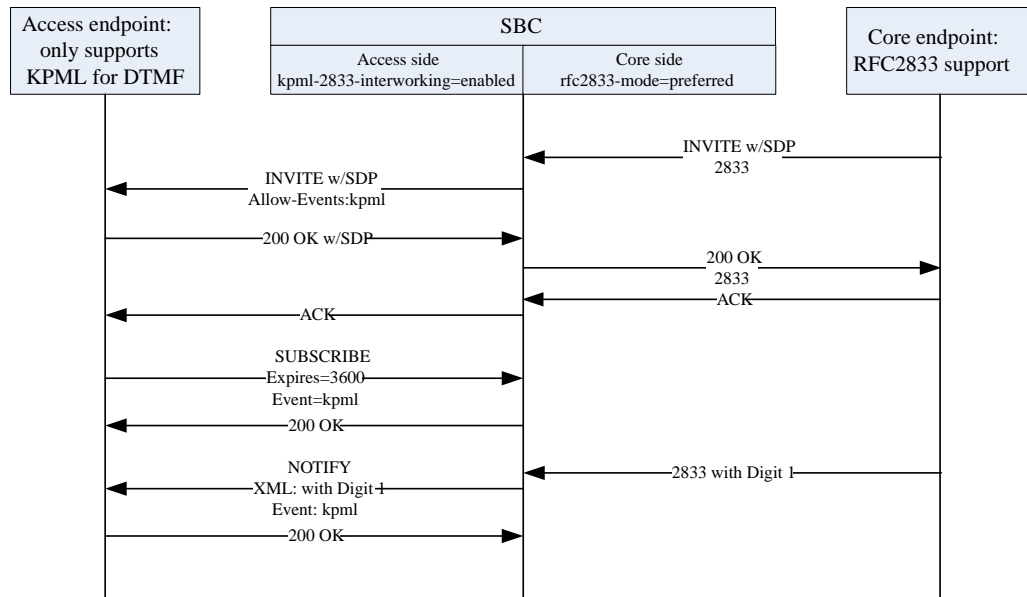
When the Oracle® Enterprise Session Border Controller subsequently receives a SUBSCRIBE request within the INVITE created dialog for the kpml event, it will accept the subscription and respond with a 200 OK. At this point, the Oracle® Enterprise Session Border Controller can generate a KPML NOTIFY request with a KPML digit corresponding to each 2833 `telephone-event` received from the far end until

- the INVITE dialog is terminated due to a BYE
- the subscription expires
- the subscription is terminated with a subscribe request `Expires: 0`

The following diagram shows a typical RFC2833 to KPML interworking call flow. Note the following:

- While the example has SDP in the INVITE, delayed offer scenarios where the SDP exchange occurs in the 200 OK and the ACK are supported
- The **rfc2833-mode** parameter in the in either the SIP interface or session agent, is considered in the interworking. See next section:

- If the call negotiates to RFC 2833 to RFC 2833, no KPML interworking will be performed.
- In RFC 2833 to KPML scenarios, if the SUBSCRIBE is not received quickly enough, RFC 2833 digits will be dropped.



Originator	Terminator	SBC Behavior
rfc2833-mode=transparent, offers 2833 SDP	rfc2833-mode=transparent, answers NO 2833 SDP	Forwards 2833 offer, Adds Allow-Event: kpml, passes non-2833 capability to Originator (no 2833 support)
rfc2833-mode=preferred, offers 2833 SDP	rfc2833-mode=transparent, answers NO 2833 SDP	Forwards 2833 offer, Adds Allow-Event: kpml, inserts 2833 capability to Originator, performs 2833 to KPML translation
rfc2833-mode=transparent, offers 2833 SDP	rfc2833-mode=preferred, answers NO 2833 SDP	Forwards 2833 offer, Adds Allow-Event: kpml, passes non-2833 capability to Originator (no 2833 support)
rfc2833-mode=preferred, offers 2833 SDP	rfc2833-mode=preferred, answers NO 2833 SDP	Forwards 2833 offer, Adds Allow-Event: kpml, inserts 2833 capability to Originator, performs 2833 to KPML translation

## Interworking RFC 2833 and KPML for Hairpin Sessions

The E-SBC supports RFC 2833-KPML interworking scenarios that include forwarded calls that hairpin to an endpoint out the original interface. If the initial callee supports one of these digit encapsulation methods, and the caller and final callee support the other, the default E-SBC behavior of preferring RFC 2833 may block the KPML digit transmission. You can configure the E-SBC to support interworking within these hairpin scenarios in the egress direction.

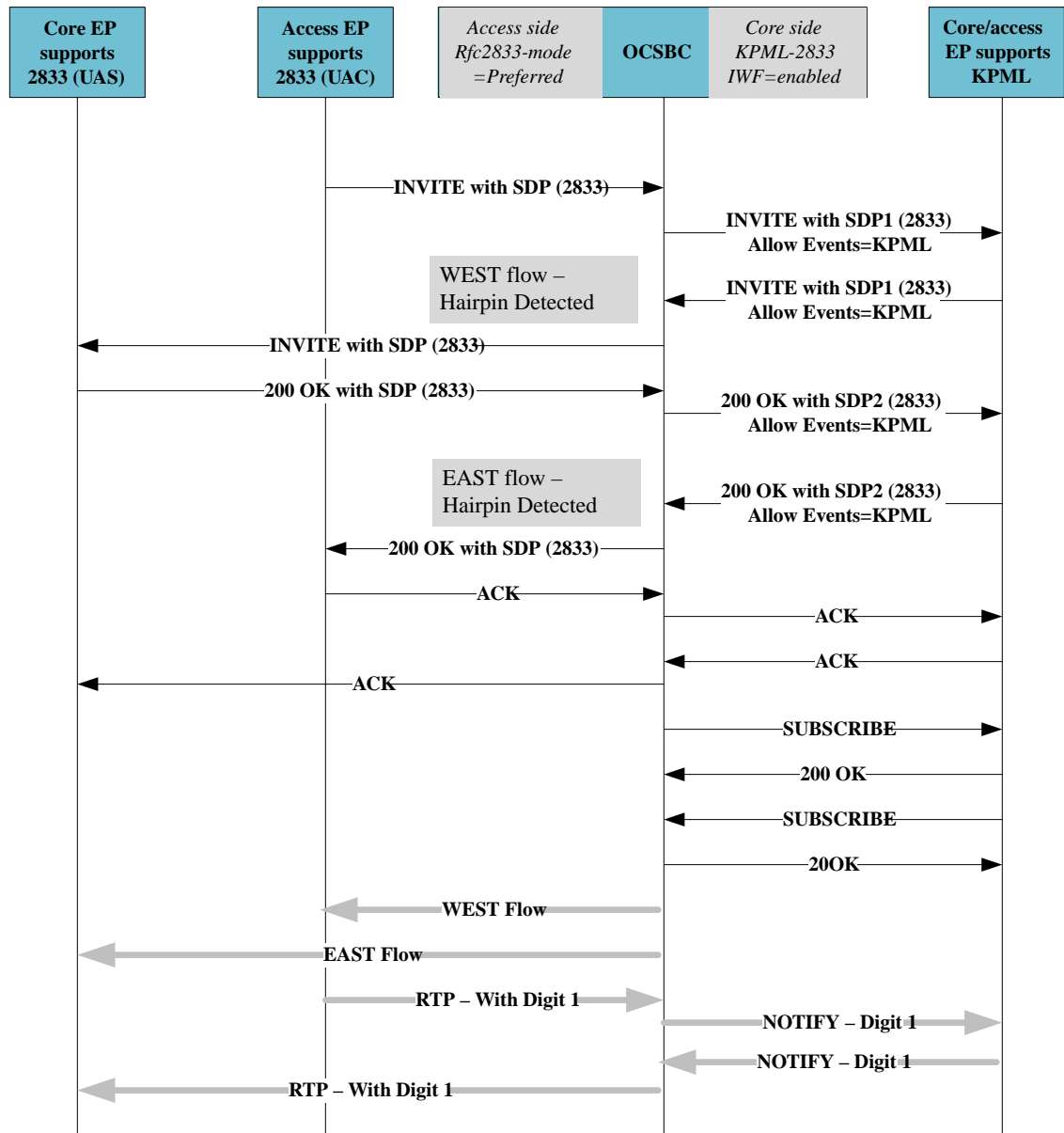
Forwarded hairpin calls can cause a problem to RFC 2833-to-KPML interworking for which the E-SBC can recognize and compensate. The issue exists for both RFC 2833-to-KPML and KPML-to-RFC 2833 calls, wherein a called endpoint that requires this interworking forwards the call back to the E-SBC, which hairpins the call to an endpoint that supports the initial encapsulation.

By default, the E-SBC uses RFC 2833 for digit transmission if there is an SDP attribute that includes **telephone-event**. This remains true even if there is also an **allow event** parameter set to **kpml**. The above scenario results in an SDP that includes both, causing the E-SBC to present digit encapsulation towards the KPML endpoint within RFC 2833 RTP.

To compensate for environments that need to support this hairpin forwarding, you can enable the **kpmlRFC2833-iwf-on-hairpin** parameter on the applicable session-agent or sip-interface. When configured for this hairpin support:

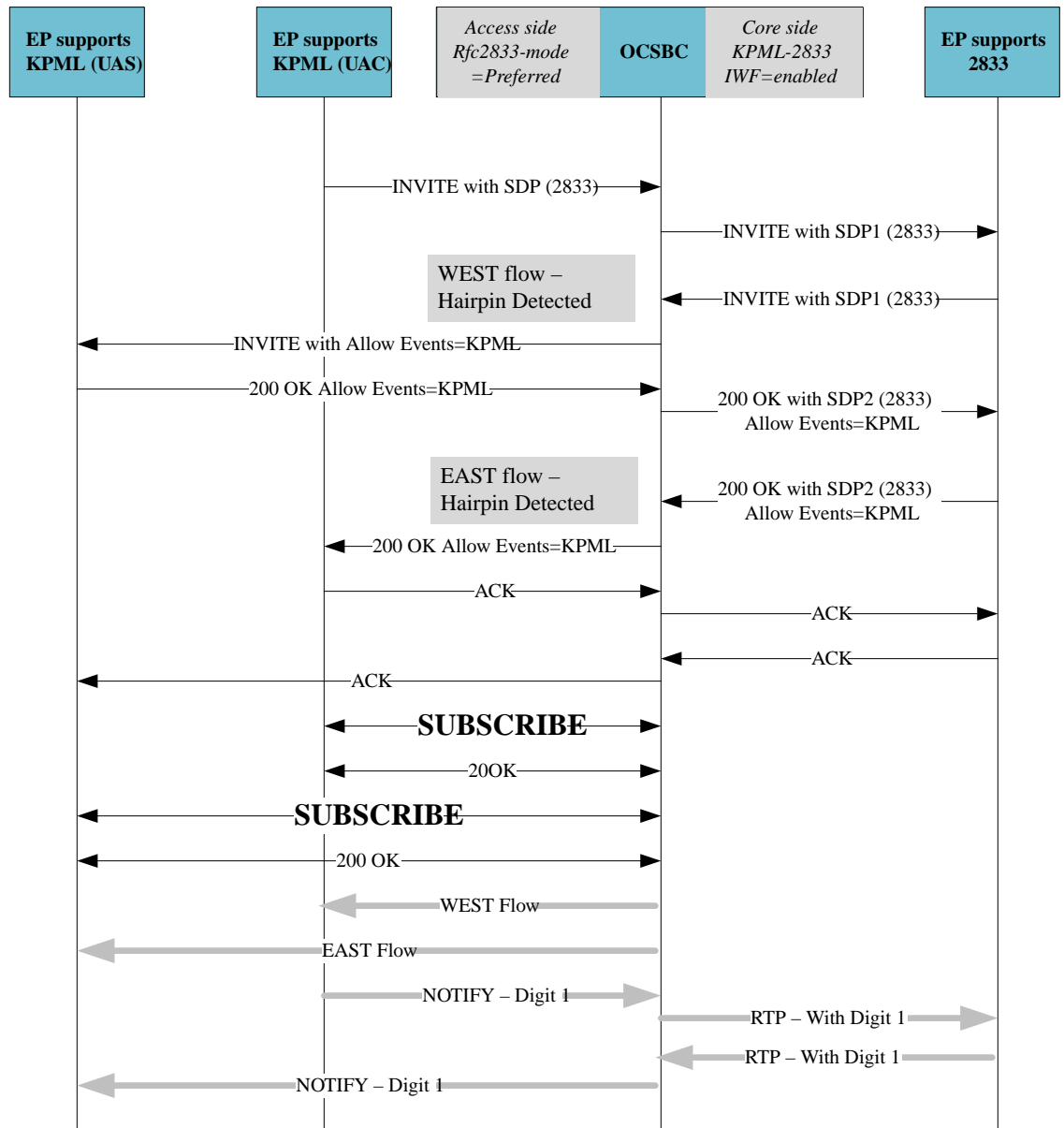
- RFC 2833-to-KPML with hairpin to a RFC 2833 endstation—Although the E-SBC receives an SDP answer that supports both KPML and RFC 2833 from KPML side, it honors the SUBSCRIBE request from the KPML endpoint and generates NOTIFY requests with DTMF digits towards the KPML end point.
- KPML-to-RFC 2833 with hairpin to a KPML endstation—Although the E-SBC receives an SDP offer that supports both KPML and telephone event from the KPML endpoint, it sends NOTIFY requests with the DTMF digits towards the RFC 2833 end point.

The diagram below shows an endpoint supporting RFC 2833 initiating a call, which terminates via hairpin on another RFC 2833 endpoint. The call initially targets an endpoint supporting KPML, but is forwarded back to the E-SBC. SDP2 includes the KPML allow event parameter and the telephone-event attribute. But this configuration causes the E-SBC to send digits to the KPML endpoint using NOTIFY message, and encapsulate those same digits in RTP for the RFC 2833 endpoints.



### Bi-Directional Subscriptions

Within the context of hairpinned sessions that starts from a KPML endpoint and ultimately targets a KPML endpoint, the E-SBC both accepts the **SUBSCRIBE** from the called endpoint, and sends a **SUBSCRIBE** to the calling endpoint. In the diagram below, The E-SBC hairpins a call originating from a KPML endpoint, towards an RFC 2833 endpoint, and back out the initial interface to another KPML endpoint. Within the context of the **INVITE** signaling, the E-SBC issues and receives KPML **SUBSCRIBE** messages from both endpoints. Given the preference outlined in RFC 4370 that KPML subscriptions be unique to each **DIALOG**, the E-SBC monitors the local tag (From:) to discriminate between subscriptions, thereby supporting bi-directional subscriptions.



### Configuration Considerations

You configure this support by enabling the **kpmlRFC2833-iwf-on-hairpin** parameter on the applicable **sip-interface** and/or **session-agent**.

Important configuration considerations include:

- Set the **rfcRFC 2833-mode** parameter to **preferred** on the leg with the RFC 2833 endpoint.
- Set the **kpml-interworking** and **kpmlRFC2833-iwf-on-hairpin** parameters to **enabled** on the leg with the KPML endpoint.
- The **session-agent** configuration takes precedence.
- If you target a configured session-agent and configure this interworking on the **sip-interface**, configure **kpml-interworking** to **inherit** on the **session-agent**.

## KPML-2833 Interworking on a SIP Interface Configuration

To configure KPML - 2833 interworking on a SIP interface:

1. Access the **sip-interface** configuration element.

```
ORACLE# configure terminal
ORACLE(configure)# session-router
ORACLE(session-router)# sip-interface
ORACLE(sip-interface)#
```

2. Select the **sip-interface** object to edit.

```
ORACLE(sip-interface)# select
<RealmID>:
1: realm01 172.172.30.31:5060

selection: 1
ORACLE(sip-interface)#
```

3. **kpml-interworking**—Set this parameter to enabled to use KPML-2833 interworking.
4. Type **done** to save your configuration.

## KPML-2833 Interworking on a Session Agent Configuration

To configure KPML - 2833 interworking on a session agent:

Enter the prerequisites here (optional).

Enter the context of your task here (optional).

1. Access the **session-agent** configuration element.

```
ORACLE# configure terminal
ORACLE(configure)# session-router
ORACLE(session-router)# session-agent
ORACLE(session-agent)
```

2. Select the **session-agent** object to edit.

```
ORACLE(session-agent)# select
<hostname>:
1: 192.168.100.101:1813

selection: 1
ORACLE(session-agent)#
```

3. **kpml-interworking**—Set this parameter to enabled for the Oracle® Enterprise Session Border Controller to interwork RFC2833 from the other call leg to the call leg running through this session agent. This parameter may be set to inherit to use the **kpml-interworking** value configured on the receiving SIP interface.
4. Type **done** to save your configuration.

## FAX Detection

In some deployments, an originator sends inband fax messages through the Oracle® Enterprise Session Border Controller (E-SBC) to terminating endpoints that do not support uncompressed codecs. Thus the terminating call leg must communicate FAXes either through out of band T.38 or in-band G.711 codecs. In some cases the terminating endpoint can determine that it is being sent a FAX and send a reINVITE to request that it be sent T.38 FAX instead of inband FAX, thereby switching from an audio call to a FAX call. If the E-SBC does not receive this reINVITE, it will send its own reINVITE toward the terminating endpoint to establish the FAX session with a codec the endpoint can support.

The E-SBC can detect FAX tones based on the receipt of the DIS Preamble V.21 flag or the CNG/CED tones. These tones are embedded in a faxable codec in the RTP media stream. You must set the **tone-detection** parameter in the codec policy to **fax-cng** or **fax-v21** as necessary.

 **Note:**

Enabling tone-detection steers all faxable calls through the DSPs thus requiring DSP resources.

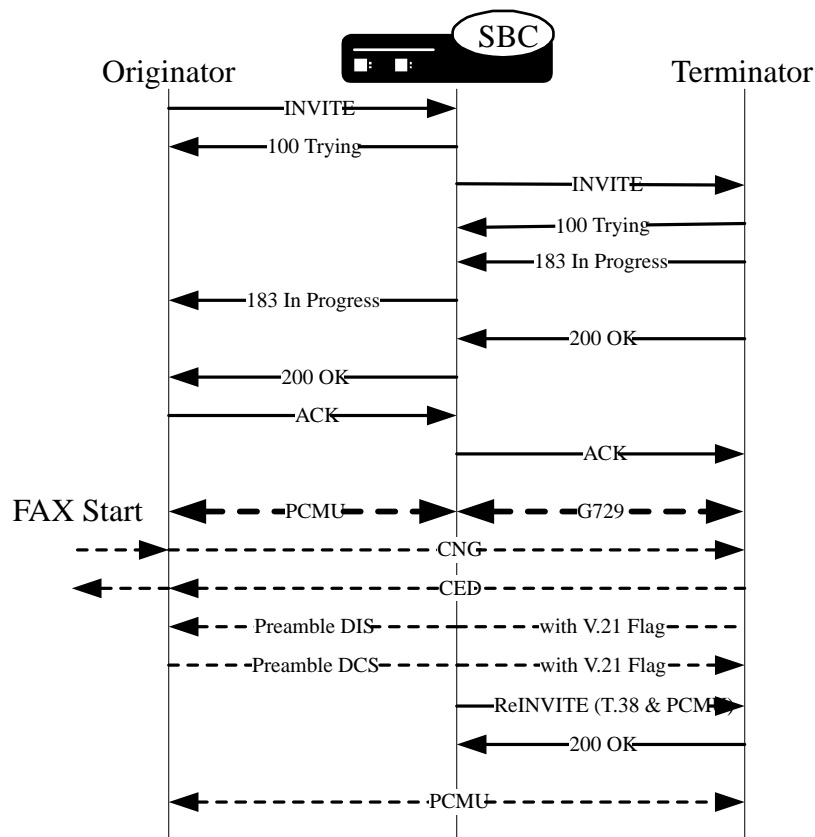
### Renegotiate Timer

Upon detection of the DIS Preamble V.21 flag or CNG tone, the E-SBC starts a configurable tone Detect Renegotiate Timer (**tone-detect-renegotiate-timer**). The tone detect renegotiate timer parameter is configurable per codec policy and defaults to 500ms. If the E-SBC receives a ReINVITE from the originating or terminating endpoint, the tone Detect Renegotiate Timer will be reset and no ReINVITE will be sent from the E-SBC toward the terminating endpoint.

If the E-SBC does not receive a ReINVITE from the called endpoint before this timer expires, it creates and sends an INVITE to the terminating endpoint.

### ReINVITE Codecs

There are two codecs that can be inserted into the reINVITE message: T.38 & G711 (defaulting to PCMU). You configure **T.38OFD** and/or **G711OFD** in the add codecs on egress parameter in the codec policy configuration element. These codec names are only used for reINVITEs in this feature. Each one is inserted into the reINVITE's message body on its own m= line. The E-SBC sends 2 m-lines so the endpoint can pick its preferred codec from the two.

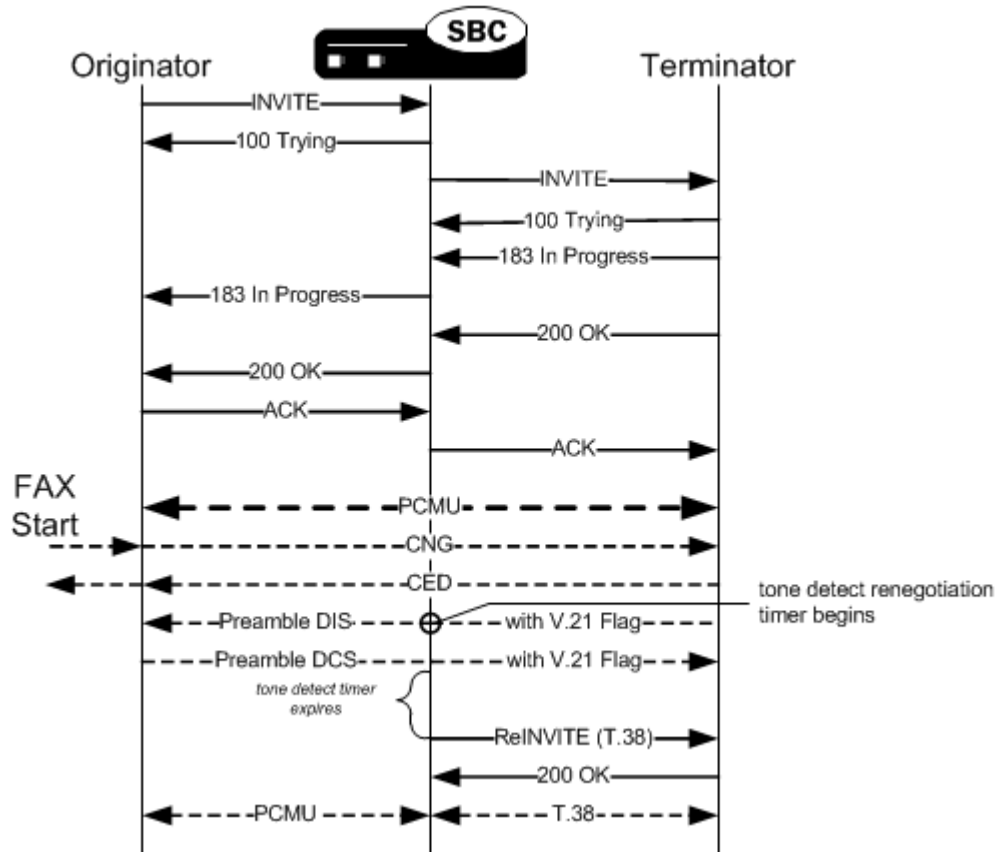


### Call Completion

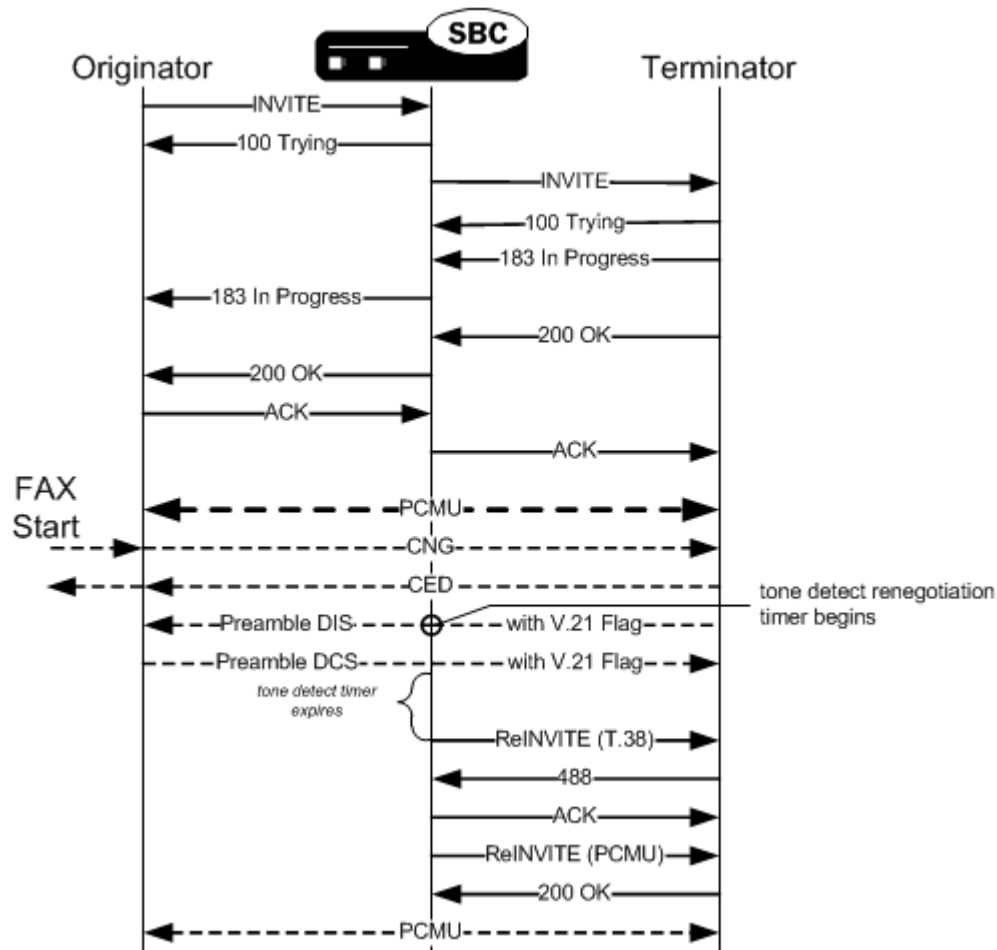
In the typical case, the E-SBC sends a reINVITE toward the terminating endpoint with the specified codecs. The terminating endpoint replies with a 200OK indicating it can use the specified codec. When this call leg is set up, FAX media will flow through the E-SBC and be transcoded between the originator’s codec and the terminator’s codec.

The following call flow shows the typical example:





When the terminating endpoint rejects the T.38 reINVITE, and the OFDFB is configured as an add-on-egress codec, the E-SBC sends a G711 offer toward the call terminator.



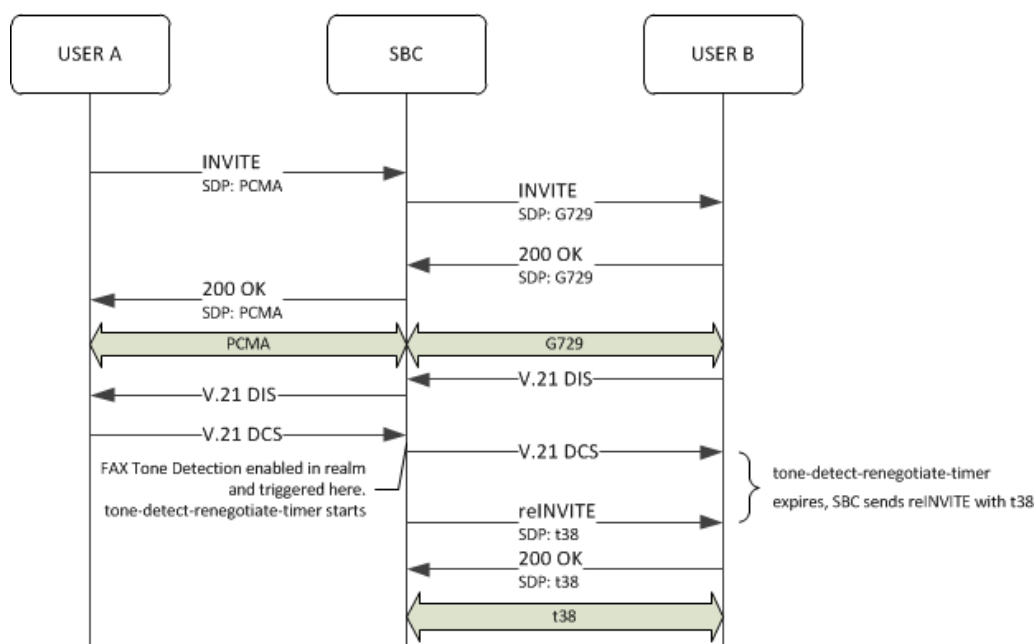
### Glare Condition

After not receiving a ReINVITE from either of the endpoints after the configured amount of time, the E-SBC sends a reINVITE toward the terminating endpoint. If the E-SBC receives a ReINVITE from either endpoints while waiting for the response to its own reINVITE, it will reject the endpoint-sourced reINVITE with a 491 Request Pending error message.

### reINVITE Toward Caller Using Compressed Codec

In some scenarios, the network operator configures tone detection in one realm where uncompressed codecs are used by UAs. The other realm, where compressed codecs are used does not have tone detection enabled. After the call is set up, the compressed side initiates a FAX call. The E-SBC receives user A's reply which includes V.21 DCS in the realm where tone detection is enabled. The E-SBC forwards this tone to user B. Upon no response from user B, the E-SBC creates and sends it a reINVITE that includes T.38 in the SDP. This action prompts User B to accept and use T.38 so that the E-SBC can transcode from User A's FAX via PCMA to User B's T.38 codec.

The pertinent aspect of this scenario is that the reINVITE is created and sent into the realm where tone-detection parameter is not configured. This behavior is enabled by enabling the **reverse-fax-tone-detection-reinvite** parameter. For example:



## Supporting FAX to UAs that Do Not Support Multiple SDP M-Lines

The Oracle® Enterprise Session Border Controller (E-SBC) sometimes supports FAX transcoding scenarios using a Re-INVITE that includes two m-lines in the SDP. Some end stations, however, do not support multiple m-lines, causing the FAX setup to fail. You can configure the E-SBC to resolve this problem on a per realm basis via transcoding policy.

There are two scenarios within which the E-SBC supports FAX setup by issuing a ReINVITE to a caller (or callee):

- The caller (or callee) issues a ReINVITE indicating it wants to change the call to FAX.
- The caller (or callee) embeds FAX tones in the RTP stream.

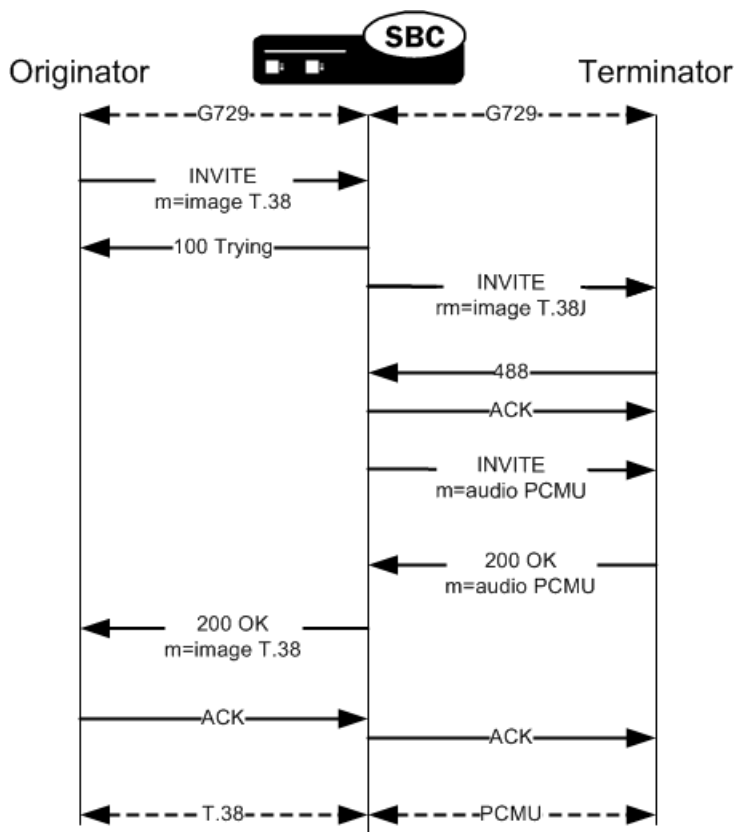
For both scenarios, the two options for providing the FAX media type include audio or image. In both scenarios, the E-SBC may send a Re-INVITE that offers both media options in the SDP. This allows the caller (or callee) to negotiate media type with the E-SBC. In the former scenario, the caller's ReINVITE either offers a single media option in the SDP m-line, in which case the E-SBC adds the other, or the caller offers both options. Note that the E-SBC must forward a final response to the caller (or callee) in this scenario. In the latter scenario, the E-SBC simply recognizes the attempt to start in-line FAX and issues a ReINVITE to support that setup.

You can configure the E-SBC to remedy the lack of support for multiple m-lines in some stations by offering one media type at a time using the **codec-policy** element's **fax-single-m-line** parameter. When you configure this parameter, the E-SBC offers either audio or image media type in the ReINVITE. Should the callee reject the offer, with a **488 - Not Acceptable Here** message for example, the E-SBC sends another ReINVITE with the other media type choice. This negotiation may or may not result in a transcoded media stream. That is, if both end stations negotiate to the same codec, no transcoding is needed.

### Example 1 - Offer Image First

This example depicts a transcoding scenario that changes a call to FAX. The initial Re-INVITE arrives offering image as the media type. The E-SBC issues its Re-INVITE with **fax-single-m-line** set to **image-first**. The terminating station declines image media type, so the E-SBC retries, offering audio media type. The terminating station accepts this media type. Note that the E-SBC sends its response to the originating station, accepting image media type. Subsequently, the first leg operates with image media type and the second with audio, requiring transcoding.

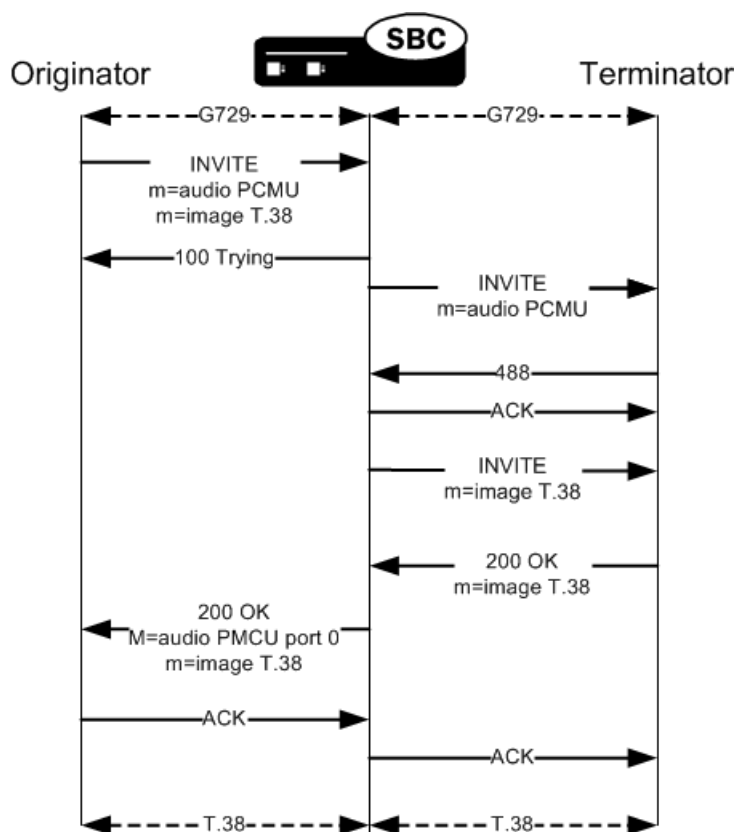
Figure 14-3 Offer Image First



### Example 2 - Offer Audio First

This example depicts a transcoding scenario and configuration that changes a call to FAX. The initial Re-INVITE arrives with 2 m-lines. The E-SBC issues its Re-INVITE with **fax-single-m-line** set to **audio-first**. The terminating station declines audio media type, so the E-SBC retries, offering image media type. The terminating station accepts this media type. Note that the E-SBC sets its response to the originating station with audio media type set to port 0. Subsequently, both legs operate with image media type, requiring no transcoding.

Figure 14-4 Offer Audio First



## Configure reINVITE and Single M Line Behavior for FAX Calls

This procedure highlights the relevant parameters for enabling FAX Calls on reINVITE, and not necessarily all required parameters.

1. Access the **codec-policy** configuration element.

```

ORACLE# configure terminal
ORACLE(configure)# media-manager
ORACLE(media-manager)# codec-policy
ORACLE(codec-policy)# select
  
```

2. Select the **codec-policy** object to edit.

```

ORACLE(codec-policy)# select
<name>:
1: name=cpl
2: name=cp2

selection: 2
ORACLE(codec-policy)#
  
```

3. **add-codecs-on-egress**—Set this parameter to either T.38OFD and/or G711OFD depending on the value the m= line should have on reINVITE. You can additionally add the OFDFB value to this parameter to enable the second fallback case.

4. **tone-detect-renegotiate-timer**—Set this parameter to a value between 50 and 3200 ms.
5. **tone-detection**—Set this parameter determine which message in FAX setup is used to start FAX transcoding.
  - fax-cng—start FAX transcoding on CNG message
  - fax-v21—start FAX transcoding on V.21 message
6. **reverse-fax-tone-detection-reinvite**—Set this parameter to enabled for the system to create a T38-laden reINVITE and send it into the realm opposite of where tone detection is enabled.
7. **fax-single-m-line**—Set this parameter to the preferred FAX media type for Re-INVITES to endstations that do not support multiple m-lines. The E-SBC issues Re-INVITES using the configured media type only. Should the negotiation fail, the E-SBC issues another Re-INVITE that offers the other media type.
  - disabled—Do not change the SDP (default)
  - image\_first—Sends Re-INVITE with m=image as the only m-line in the SDP.
  - audio\_first—Sends Re-INVITE with m=audio as the only m-line in the SDP.
8. Type **done** to save your configuration.

## Maintenance and Troubleshooting

### show mbcd errors

The **show mbcd errors** command displays statistics related to MBCD task errors. The following fields are explained:

- XCode Internal Errors—Number of uncategorized errors due to Transcoding session error.
- XCode Alloc Errors—Number of times that buffer allocation failed for transcoding tasks.
- XCode Update Errors—Number of errors encountered when attempting to update an entry in the Transcoding table upon receipt of the first packet for a media flow.
- XCode Delete Errors—Number of errors encountered when attempting to delete an entry in the Transcoding table.
- XCode Over Cap Errors—Number of Transcoding sessions denied once session capacity is reached.
- XCode Over License Cap—Number of Transcoding sessions denied once capacity is reached.

```
ORACLE# show mbcd errors
13:22:50-126
MBC Errors/Events          ---- Lifetime ----
                          Recent   Total  PerMax
Client Errors              0       0      0
Client IPC Errors          0       0      0
Open Streams Failed        0       0      0
Drop Streams Failed        0       0      0
Exp Flow Events            0       0      0
```

Exp Flow Not Found	0	0	0
Transaction Timeouts	0	0	0
Server Errors	0	0	0
Server IPC Errors	0	0	0
Flow Add Failed	180	180	180
Flow Delete Failed	0	0	0
Flow Update Failed	0	0	0
Flow Latch Failed	0	0	0
Pending Flow Expired	0	0	0
ARP Wait Errors	0	0	0
Exp CAM Not Found	0	0	0
Drop Unknown Exp Flow	0	0	0
Drop/Exp Flow Missing	0	0	0
Exp Notify Failed	0	0	0
Unacknowledged Notify	0	0	0
Invalid Realm	0	0	0
No Ports Available	0	0	0
Insufficient Bandwidth	0	0	0
Stale Ports Reclaimed	0	0	0
Stale Flows Replaced	0	0	0
Telephone Events Gen	0	0	0
Pipe Alloc Errors	0	0	0
Pipe Write Errors	0	0	0
Not Found In Flows	0	0	0
XCode Internal Errors	0	0	0
XCode Alloc Errors	0	0	0
XCode Update Errors	0	0	0
XCode Delete Errors	0	0	0
XCode Over Cap Errors	180	180	180
XCode Over License Cap	0	0	0
SRTP Capacity Exceeded	0	0	0

## show xcode api-stats

The **show xcode api-stats** command shows the client and server side message counts for the XClient and XServer software components. The main messages are allocate, update, and free of the transcoding resource. The command uses a 100 second window to show recent counts within the sliding window as well as the total and per max (maximum in a sliding window interval). This command is useful for comparing the client and server side counts and seeing where errors may have occurred with the transcoding resources.

```
ORACLE#show xcode api-stats
----- Client ----- Server
-----
Message/Event      Recent      Total  PerMax  Recent      Total
PerMax
-----
-----
Allocs             0           5197   4897     0           6355
6055
Updates           0           1776   1676     0            888
788
Frees             0           6355   6015     0           6355
```

6015					
Error-Allocs	0	0	0	0	
45 45					
Error-Updates	0	0	0	0	888
888					
Error-Frees	0	0	0	0	
0 0					
Total	0	13328	12588	0	14531
13791					

## show xcode dbginfo

The debug information command shows the packet API statistics for the host to DSP path. There is one session/connection opened with each DSP. The command displays the total packet counts as well as the round trip time statistics for the packets. The recent field shows the count since the last time the command was executed

```
ORACLE#show xcode dbginfo
Startup Time      : 2006-09-08 01:11:50.522
Last Clear Time  : 2006-09-08 01:11:50.522
Last Read Time   : 2006-09-08 17:14:52.351
Current Time     : 2006-09-08 17:14:52.351
Up Time          : 0 Days, 16 Hours 3 Minutes 2 Seconds
                  -- Life Time --      -- Recent --

PktApiStats:
  OpenConnectionCnt =      2
  OpenSessionCnt    =      2
  TotalPktSentCnt   = 21051           21051
  TotalPktRecvCnt   = 21041           21041
  TotalPktRecvEventCnt =      0
  TotalPktRecvDataCnt =      0
  TotalPktRejectCnt =      5           5
  TotalPktTimeoutCnt =      0
  TotalPktInvalidCnt =      0
  TotalPktDropCnt   =      0
  TotalPktDropEventCnt =      0
  TotalPktDropDataCnt =      0
  TotalPktLateRspCnt =      0           0
  LowestRoundTripMs =      1
  HighestRoundTripMs =     2010
  LowestExtractTimeMs =      1
  HighestExtractTimeMs =    13320
  HighestTransportRxTimeMs =      0
  ulHighestTransportNoRxTimeMs =      0
```

## Active and Period Statistics for EVRC and other Codecs

Codec use per-realm statistics include more detail by breaking out the EVRC codecs into their specific variants. That is, the system keeps track of EVRC0, EVRC1, EVRCB, EVRCB0, and EVRCB1 codec use per-realm on an explicit basis. These 5 counts are also available for SNMP query and are added to the `ap-codec.mib` file. Additionally, The Oracle® Enterprise Session Border Controller now maintains counts



for all codecs that appear in the **show sipd codecs <realm>** command for Active, Recent High, and Lifetime High periods.

## show sipd codecs

The **show sipd codecs <realm ID>** command displays media-processing statistics per SIP traffic. This command displays statistics per realm and requires a realm argument.

## Session Based Statistics

The first 3 statistics listed by the **show sipd codecs** are session based. These statistics are titled Transcoded, Transrated, and Transparent.

- transcoded—counts of sessions that use the Transcoding NIU's TCUs to transcode between two or more codes.
- transrated—counts of sessions that use the Transcoding NIU's TCUs to change the packetization interval among dialogs in the session.
- transparent—counts of sessions that require no TCU hardware intervention (all end-to-end media uses the same codec)

A value of "none" which is not counted in the statistics is set when there is no media at all or media is not yet negotiated. Sessions within the same realm are counted only once.

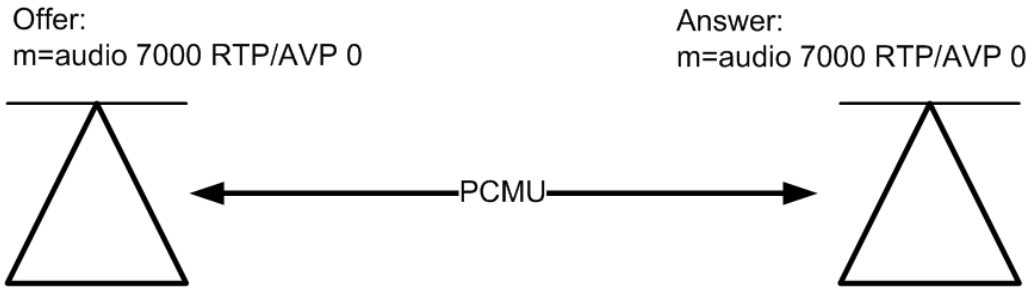
These are meter type counters, and thus have an "active" count as well as total lifetime values. The media-processing state of the session only can increase in precedence (highest=transcoded, transrated, transparent, lowest=none). Thus, if a session begins as transcoded, and then is re-negotiated to transparent later by a re-INVITE, it is still considered transcoded. However, if a session begins as transparent, it can go to transcoded by a re-INVITE. In such a case, the total counts for both transparent and transcoded would be incremented. If there are several media lines, the highest precedence is used for the session.

## Flow Based Statistics

The remaining lines of the **show sipd codecs** command track the number of codecs in established sessions. The 'Other' type refers to unknown codecs. For all codecs listed by the **show sipd codecs** command, the Active, High- and Total- Recent Counts, and Total- PerMax- High- Lifetime counts are displayed. These counts represent each SDP m= line emanating in the queried realm. Refer to the following examples:

## Single audio stream example

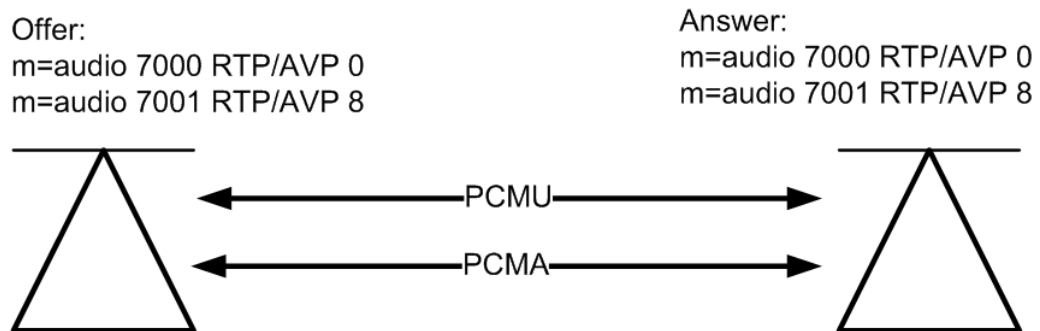
The following diagram shows an intra-realm session with one audio stream using the PCMU codec. Once the session is established, the PCMU count in the **show sipd codecs** output is 2.



If the session originator and terminator in the previous diagram exist in two different realms, you must execute the **show sidp codecs** command twice, once for each realm. A single PCMU count will be reflected in each respective query because only one m= line emanates from each realm.

## Multiple audio stream example

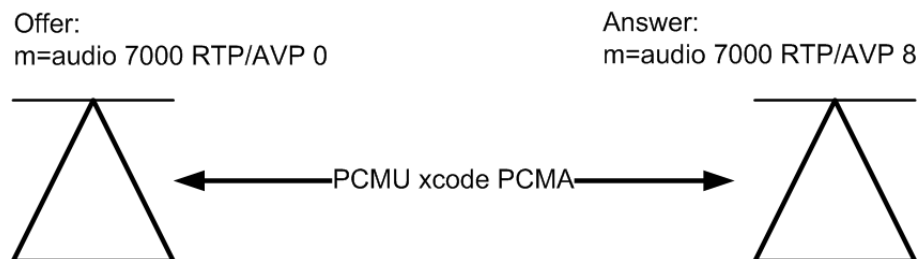
The following diagram shows an intra-realm session with two audio streams. Each stream uses a different codec. Once the session is established, the PCMU count in the **show sidp codecs** output is 2, and the PCMA count is 2.



If the session originator and terminator in the previous diagram exist in two different realms, you must execute the **show sidp codecs** command twice, once for each realm. A single PCMU count and a single PCMA count will be reflected in each respective query because two m= lines emanate from each realm.

## Transcoded audio stream example

The following diagram shows an intra-realm transcoding scenario where the originator and terminator are using different audio codecs. The Oracle® Enterprise Session Border Controller transcodes the media, which is invisible to the endpoints. Once the session is established, the PCMU count in the **show sidp codecs** output is 1, and the PCMA count is 1.



If the session originator and terminator in the previous diagram exist in two different realms, you must execute the **show sipd codecs** command twice, once for each realm. A single PCMU count appears in one query and a single PCMA count appears in the other query because only one m= line emanate from each realm.

An example **show sipd codecs <realm ID>** command follows:

```
ORACLE# show sipd codecs net172
09:20:04-30 Realm net172
Codec Statistics
```

	---- Recent ----			----- Lifetime -----		
	Active	High	Total	Total	PerMax	High
Transcoded	0	0	0	0	0	0
Transrated	0	0	0	0	0	0
Transparent	0	0	0	0	0	0
PCMU Count	0	0	0	0	0	0
PCMA Count	0	0	0	0	0	0
G722 Count	0	0	0	0	0	0
G723 Count	0	0	0	0	0	0
G726-16 Count	0	0	0	0	0	0
G726-24 Count	0	0	0	0	0	0
G726-32 Count	0	0	0	0	0	0
G726-40 Count	0	0	0	0	0	0
G728 Count	0	0	0	0	0	0
G729 Count	0	0	0	0	0	0
GSM Count	0	0	0	0	0	0
iLBC Count	0	0	0	0	0	0
H261 Count	0	0	0	0	0	0
H263 Count	0	0	0	0	0	0
T38 Count	0	0	0	0	0	0
AMR Count	0	0	0	0	0	0
AMR-WB Count	0	0	0	0	0	0
EVRC Count	0	0	0	0	0	0
EVRC0 Count	0	0	0	0	0	0
EVRC1 Count	0	0	0	0	0	0
EVRCB Count	0	0	0	0	0	0
EVRCB0 Count	0	0	0	0	0	0
EVRCB1 Count	0	0	0	0	0	0
Other Count	0	0	0	0	0	0

## show xcode load

The **show xcode load** command shows the current transcoding module (TCM) load both in number of sessions and percent loading. The load percentage depends on the precise mix of codecs, ptimes, and features enabled on the active sessions. The maximum lifetime load is also displayed. Uninstalled TCMs are marked with dashes.

```
ORACLE#show xcode load -detail
02:00:16
Total Sessions:          0
Licensed AMR Sessions:  0
Licensed AMR-WB Sessions: 0
Licensed EVRC Sessions: 0
```

```

Licensed EVRCB Sessions:    0
Licensed OPUS Sessions:    0
Licensed SILK Sessions:    0
Licensed EVS Sessions:     0
      ----- Load -----
      TCU  TCM  DSP  #Sess  Current  Maximum
      ---  ---  ---  -----  -
      0    00  0    0      0.00%   11.11%
      0    00  1    0      0.00%   11.11%
      0    01  0    0      0.00%   11.11%
[...]
```

The TCU column is populated with a 0 for a TCM in the middle slot and a 1 for a TCM in the top slot.

## show xcode session-all

The **show xcode session-all** command displays all of the currently active sessions by their unique session id.

```

ORACLE#show xcode session-all
15:22:51
Requesting xclient sessions table
      Total Active Sessions: 200
      Displaying sessions 1 to 100:
      Session Id: 0x10007
      Session Id: 0x10008
      Session Id: 0x10009
      Session Id: 0x1000a
      Session Id: 0x1000b
```



### Note:

When there are more than 100 active sessions , the command now displays only active sessions 1 to 100 as opposed to all the active session:

## show xcode session-byid

The session-byid command gives more detailed information about the session. The session-byid command displays the configuration of each channel as well as a number of packet statistics for each channel. This same information can be looked up by IP address and port by using the session-byip command. If only the configuration portion is required, use the session-config command with the session id as the argument. This command is entered as:

```
show xcode session-byid <session_id>
```

For example:

```

ORACLE#show xcode session-byid 0xf006e
##### SESSION 0xf006e #####
```

```
Channel 0:
  DSP device           = 14
  Source MAC          = 00:08:25:a0:9a:f3
  Destination MAC     = 00:0e:0c:b7:32:e2
  VLAN ID             = 0
  Egress Interface    = 0
  Src IP:Port         = 172.16.0.235:24448
  Dst IP:Port         = 172.16.0.87:16000
  Src RTCP IP:Port    = 172.16.0.235:24449
  Dst RTCP IP:Port    = 172.16.0.87:16001
  Codec               = G711_ULAW_PCM
  Payload Type        = 0
  Pkt Interval        = 20 msec
  2833 Payload Type   = DISABLED
  Xtone Mode          = XTONE_XTHRU
  Status              = DISABLED
DSP Counters:
  RxInPktCnt          = 474
  RxInByteCnt         = 75840
  RxOutPktCnt         = 749
  RxInSidPktCnt       = 0
  RxNoPktCnt          = 275
  RxBadPktTypeCnt     = 0
  RxBadRtpPayloadTypeCnt = 0
  RxBadPktHdrFormatCnt = 0
  RxBadPktLengthCnt   = 0
  RxMisorderedPktCnt  = 0
  RxBadPktChecksumCnt = 0
  RxUnderrunSlipCnt   = 0
  RxOverrunSlipCnt    = 0
  RxLastVocoderType   = 0
  RxVocoderChangeCnt  = 0
  RxMaxDetectedPdv    = 168
  RxDecdrRate         = 15
  RxJitter:
    CurrentDelay       = 160
    EstimatedDelay     = 0
    ClkDriftingDelta   = 0
    ClkDriftingCorrectionCnt = 0
    InitializationCnt  = 1
  RxCircularBufferWriteErrCnt = 0
  RxApiEventCnt       = 0
  TxCurrentVocoderType = 0
  TxInPktCnt          = 749
  TxOutPktCnt         = 750
  TxOutByteCnt        = 120000
  TxInBadPktPayloadCnt = 0
  TxTimestampGapCnt   = 0
  TxTdmWriteErrCnt    = 0
  RxToneDetectedCnt   = 0
  RxToneRelayEventPktCnt = 0
  RxToneRelayUnsupportedCnt = 0
  TxToneRelayEventPktCnt = 0
  TxApiEventCnt       = 0
  TxNoRtpEntryPktDropCnt = 0
```

```

ConnectionWaitAckFlag      1
RxMipsProtectionDropCnt    0
TxMipsProtectionDropCnt    0
Channel 1:
  DSP device                = 14
  Source MAC                = 00:08:25:a0:9a:f4
  Destination MAC          = 00:1b:21:7a:29:b1
  VLAN ID                  = 0
  Egress Interface         = 2
  Src IP:Port              = 192.168.0.235:24448
  Dst IP:Port              = 192.168.0.87:32000
  Src RTCP IP:Port         = 192.168.0.235:24449
  Dst RTCP IP:Port         = 192.168.0.87:32001
  Codec                    = G729_A
  Payload Type             = 18
  Pkt Interval             = 20 msec
  2833 Payload Type        = DISABLED
  Xtone Mode               = XTONE_XTHRU
  Status                   = DISABLED
DSP Counters:
  RxInPktCnt               748
  RxInByteCnt              14960
  RxOutPktCnt              751
  RxInSidPktCnt            0
  RxNoPktCnt               3
  RxBadPktTypeCnt         0
  RxBadRtpPayloadTypeCnt  0
  RxBadPktHdrFormatCnt    0
  RxBadPktLengthCnt       0
  RxMisorderedPktCnt      0
  RxBadPktChecksumCnt     0
  RxUnderrunSlipCnt       0
  RxOverrunSlipCnt        0
  RxLastVocoderType       6
  RxVocoderChangeCnt      0
  RxMaxDetectedPdv        171
  RxDecdrRate              15
  RxJitter:
    CurrentDelay           160
    EstimatedDelay         0
    ClkDriftingDelta       0
    ClkDriftingCorrectionCnt 0
    InitializationCnt      1
  RxCircularBufferWriteErrCnt 0
  RxApiEventCnt           0
  TxCurrentVocoderType    6
  TxInPktCnt              748
  TxOutPktCnt             748
  TxOutByteCnt            14960
  TxInBadPktPayloadCnt    0
  TxTimestampGapCnt       0
  TxTdmWriteErrCnt        0
  RxToneDetectedCnt       0
  RxToneRelayEventPktCnt  0
  RxToneRelayUnsupportedCnt 0

```

```
TxToneRelayEventPktCnt    0
TxApiEventCnt             0
TxNoRtpEntryPktDropCnt   0
ConnectionWaitAckFlag     0
RxMipsProtectionDropCnt  0
TxMipsProtectionDropCnt  0
```

## show xcode session-byattr

The `show xcode session-byattr` command lists all sessions matching the specified attribute name. The only supported attribute is "fax", which will display session information only for FAX-transcoded sessions; all other attributes will return an error. For example:

```
ORACLE#show xcode session-byattr fax
17:52:17
 1.  [Chan A_SRC] Ip Address: 192.168.16.1 Port: 5220
     [Chan B_SRC] Ip Address: 172.16.0.40 Port: 10230
     Session Id:0x002021d0"
 2.  [Chan A_SRC] Ip Address: 192.168.16.1 Port: 3010
     [Chan B_SRC] Ip Address: 172.16.0.40 Port: 10226
     Session Id:0x00301042"
Oct 26 20:53:22.968 Total Matches:2 Total Active Sessions:2
-----
```

## show xcode session-byipp

The `show xcode session-byipp` command requires an IP address and port. It lists detailed information about the sessions identified by the specified IP address and port number. Information will be provided for all transcoded call legs matching the IP address, including in both the ingress and egress directions. The `show xcode session-byipp` command is entered as:

```
show xcode session-byipp <ip_addr> <port_num>
```

This command displays the same information as the `session-byid` command. If a wildcard `*` is provided for the port number, the command will display sessions with the matching IP address only, regardless of port number.

## show xcode xlist

The `show xcode xlist` command displays the TCU (0 = middle, 1 = top), TCM number, number of DSPs on each module, the number of active sessions, and the load percentage. It also displays the state such as Active or Boot Failure. Uninstalled TCMs are indicated by a dash.

```
ORACLE#show xcode xlist
18:22:32
TCU  TCM  DSPs  #Sess  Load  State
===  ===  =====  =====  =====  =====
 0    00    2      -     -     -
 0    01    2      -     -     -
```

```

0    02    2    -    -    -
0    03    2    1    0%  2 Active
0    04    2    1    0%  2 Active
0    05    2    -    -    -
0    06    2    -    -    -
0    07    2    -    -    -
[...]
1    00    2    1    0%  2 Active
1    01    2    0    0%  2 Active
1    02    2    0    0%  2 Active
1    03    2    0    0%  2 Active
1    04    2    0    0%  2 Active
1    05    2    0    0%  2 Active
1    06    2    0    0%  2 Active
1    07    2    0    0%  2 Active
1    08    2    0    0%  2 Active

```

## Logs

A log file named `log.xserv` can be used for debugging the transcoding feature. This log records the API between the host software and the DSPs and any errors that are encountered.

## Alarms

The transcoding feature employs several hardware and software alarms to alert the user when the system is not functioning properly or overload conditions are reached.

Name/ID	Severity/ Health Degredatio n	Cause(s)	Traps Generated
No DSPs Present with Transcoding Feature Card (DSP_NONE_PRESENT)	Minor/0	A transcoding feature card is installed but no DSP modules are discovered.	apSysMgmtHardwareErrorTrap
DSP Boot Failure (DSP_BOOT_FAILURE)	Critical/0	A DSP device fails to boot properly at system initialization. This alarm is not health affecting for a single DSP boot failure. DSPs that fail to boot will remain uninitialized and will be avoided for transcoding.	apSysMgmtHardwareErrorTrap
DSP Communications Timeout (DSP_COMMS_TIMEOUT)	Critical/100	A DSP fails to respond after 2 seconds with 3 retry messages. This alarm is critical and is health affecting.	apSysMgmtHardwareErrorTrap



Name/ID	Severity/ Health Degredatio n	Cause(s)	Traps Generated
DSP Alerts (DSP_CORE_HALT )	Critical/100	A problem with the health of the DSP such as a halted DSP core. The software will attempt to reset the DSP and gather diagnostic information about the crash. This information will be saved in the /code directory to be retrieved by the user.	apSysMgmtHardwareErrorTrap
DSP Temperature(DSP_ TEMPERATURE_H IGH)	Clear 85°C Warning 86°C / 5 Minor 90°C / 25 Major 95°C/ 50 Critical 100°C/ 100	A DSP device exceeds the temperature threshold. If the temperature exceeds 90°C, a minor alarm will be set. If it exceeds 95°C, a major alarm will be set. If it exceeds 100°C, a critical alarm will be set. The alarm is cleared if the temperature falls below 85°C. The alarm is health affecting.	apSysMgmtHardwareErrorTrap
Transcoding Capacity Threshold Alarm (XCODE_UTIL_OV ER_THRESHOLD) / 131329	Clear 80% Warning 95%	A warning alarm will be raised when the transcoding capacity exceeds a high threshold of 95%. The alarm will be cleared after the capacity falls below a low threshold of 80%. This alarm warns the user that transcoding resources are nearly depleted. This alarm is not health affecting.	apSysMgmtGroupTrap
Licensed AMR Transcoding Capacity Threshold Alarm/131330	Clear 80% Warning 95%	A warning alarm is triggered if the AMR transcoding capacity exceeds a high threshold of 95% of provisioned session in use. The alarm clears after the capacity falls below a low threshold of 80%. This alarm is not health affecting.	apSysMgmtGroupTrap

Name/ID	Severity/ Health Degredatio n	Cause(s)	Traps Generated
Licensed AMR-WB Transcoding Capacity Threshold Alarm/131331	Clear 80% Warning 95%	A warning alarm is triggered if the AMR-WB transcoding capacity exceeds a high threshold of 95% of provisioned session in use. The alarm clears after the capacity falls below a low threshold of 80%. This alarm is not health affecting.	apSysMgmtGroupTrap
Licensed EVRC Transcoding Capacity Threshold Alarm/131332	Clear 80% Warning 95%	A warning alarm is triggered if the EVRC transcoding capacity exceeds a high threshold of 95% of provisioned session in use. The alarm clears after the capacity falls below a low threshold of 80%. This alarm is not health affecting.	apSysMgmtGroupTrap
Licensed EVRCB Transcoding Capacity Threshold Alarm/131333	Clear 80% Warning 95%	A warning alarm is triggered if the EVRCB transcoding capacity exceeds a high threshold of 95% of provisioned session in use. The alarm clears after the capacity falls below a low threshold of 80%. This alarm is not health affecting.	apSysMgmtGroupTrap

## Transcoding Capacity Traps

The Oracle® Enterprise Session Border Controller sends the apSysMgmtGroupTrap as transcoding capacity nears its limit. This trap is sent and cleared for three conditions:

- Total DSP usage exceeds 95%
- Total AMR sessions exceed 95% of provisioned capacity
- Total AMR-WB sessions exceed 95% of provisioned capacity
- Total EVRC sessions exceed 95% of provisioned capacity
- Total EVRCB sessions exceed 95% of provisioned capacity

The apSysMgmtGroupTrap contains the condition observed (apSysMgmtTrapType) and the corresponding value reached (apSysMgmtTrapValue).

```
apSysMgmtGroupTrap          NOTIFICATION-TYPE
  OBJECTS                    { apSysMgmtTrapType, apSysMgmtTrapValue }
  STATUS                      current
  DESCRIPTION
    " The trap will generated if value of the monitoring object
    exceeds a certain threshold. "
  ::= { apSystemManagementNotifications 1 }
```

When the resource usage retreats below a defined threshold, the Oracle® Enterprise Session Border Controller sends an apSysMgmtGroupClearTrap.

```
apSysMgmtGroupClearTrap     NOTIFICATION-TYPE
  OBJECTS                    { apSysMgmtTrapType }
  STATUS                      current
  DESCRIPTION
    " The trap will generated if value of the monitoring object
    returns to within a certain threshold. This signifies that
    an alarm caused by that monitoring object has been cleared. "
  ::= { apSystemManagementNotifications 2 }
```

The following table summarizes trigger and clear conditions for transcoding capacity alerts as sent in the the apSysMgmtGroupTrap:

Monitored Transcoding Resource	SNMP Object & OID in apSysMgmtTrapType	Trap Sent	Clear Trap Sent
Total DSP Usage	apSysXCodeCapacity 1.3.6.1.4.1.9148.3.2.1.1.34	95%	80%
AMR License Capacity Usage	apSysXCodeAMRCapacity 1.3.6.1.4.1.9148.3.2.1.1.35	95%	80%
AMR-WB License Capacity Usage	apSysXCodeAMRWBCapacity 1.3.6.1.4.1.9148.3.2.1.1.36	95%	80%
EVRC License Capacity Usage	apSysXCodeEVRCCapacity 1.3.6.1.4.1.9148.3.2.1.1.39	95%	80%
EVRCB License Capacity Usage	apSysXCodeEVRCBCapacity 1.3.6.1.4.1.9148.3.2.1.1.40	95%	80%

The following SNMP Objects are inserted into the apSysMgmtTrapType when sending and clearing a transcoding capacity trap. You may query them individually with an SNMP GET.

- apSysXCodeCapacity (1.3.6.1.4.1.9148.3.2.1.1.34)

- apSysXCodeAMRCapacity (1.3.6.1.4.1.9148.3.2.1.1.35)
- apSysXCodeAMRWBCapacity (1.3.6.1.4.1.9148.3.2.1.1.36)
- apSysXCodeEVRCCapacity (1.3.6.1.4.1.9148.3.2.1.1.39)
- apSysXCodeEVRBCapacity(1.3.6.1.4.1.9148.3.2.1.1.40)

## SRTP and Transcoding

Secure Real Time Transport Protocol (SRTP) allows secure media transmission. Transcoding is the ability to convert between media streams that are based upon different codecs. The Oracle® Enterprise Session Border Controller supports IP-to-IP transcoding for SIP sessions and can connect two voice streams that use different coding algorithms with one another. Both SRTP and transcoding are available in the same call.

As of this release of the software, SRTP and transcoding may be combined for the same call. This behavior is available by default and no extra configuration is required.

## Generating RTCP

The Oracle® Enterprise Session Border Controller is capable of creating and sending RTCP reports using Transcoding resources. This produces RFC 3550 compliant RTCP report information on media traffic for active sessions. The system calculates these statistics using measurements on traffic between a target end station and itself. With respect to a given media session, the system does not produce end-to-end reports. In addition, the system can drop RTCP reports generated upstream so target stations don't receive RTCP reports that are redundant to its own.

RTCP reporting generated at the Oracle® Enterprise Session Border Controller provides the following benefits:

- Provide RTCP reporting to core applications that may otherwise not be receiving this data.
- Provide RTCP reporting to access elements, including mobile client applications, that may otherwise not be receiving this data.
- Generate valid RTCP data for transcoded calls.
- Generate RTCP data from the Oracle® Enterprise Session Border Controller's perspective.
- Applicable RTCP reports continue to be sent when a call is muted or placed on-hold.

The user enables and specifies the type of calls on which the system generates RTCP reports via configuration. Applicable configuration includes creating **rtcp-policy** objects and applying them to realms. These objects specify whether to issue reports for transcoded or all calls traversing the realm. There is also a configuration to disable the policy.

### How it Works

The Oracle® Enterprise Session Border Controller generates RTCP by sending RTCP sender report information to the media termination point within 5 seconds after an RTP session starts, per RFC 3550. All RTCP messaging includes Sender Reports and, if the end station is receiving media, statistics corresponding to the received

media. This messaging persists, within 5-second windows for the duration of the session. The system sends a goodbye message no more than 20 ms after the call is complete. The network administrator should note this timing and ensure that network NAT configuration does not block these final messages. Depending on call type and configuration, the system listens for and drops RTCP reports generated upstream. RTCP reports generated prior to transcoding provide unreliable information.

All reports include the source description with a CNAME string. The CNAME string is the IP address and port number used for the corresponding media stream's RTCP in the format:

```
<UDP Local Port Num for RTCP>@<IP address of the applicable steering pool>
```

The system sources this data from the applicable steering pool configuration.

### Functional Matrix - Configuration vs. Call Type

RTCP generation and any corresponding RTCP blocking is a function of the type of call (transcoded or non-transcoded), and configuration. Applicable **rtcp-policy** configuration includes specifying whether the system should generate RTCP for all calls, or for transcoded calls only.

The behavior is as follows:

- For Non-Transcoded Calls—Based on the RTCP-generation configuration:
  - **xcoded-calls-only**—No RTCP generated; existing RTCP passes
  - **all-calls**—RTCP generated; existing RTCP blocked
- For Transcoded Calls—RTCP generated; existing RTCP blocked for both configurations
- The RTCP generation setting includes a disabled setting (**none**) that is set by default. This specifies that the policy never generate RTCP. Realms configured with these disabled policy settings cause the system to pass existing RTCP for non-transcoded calls and block existing RTCP for transcoded calls.

When RTCP generation is enabled for non-transcoded calls using the **all-calls** setting, these calls must negotiate a codec that the Oracle® Enterprise Session Border Controller can transcode. This ensures that the call utilizes the system's transcoding resources, which can then generate the RTCP.

#### Note:

A realm's **rtcp-policy** takes precedence over its **block-rtcp** setting. Specifically, if **block-rtcp** is disabled and the **rtcp-policy** is set to block, the system blocks existing RTCP.

## RTCP Generation Platform Support

RTCP Generation requires transcoding resources. The following platforms require DSP hardware:

- Acme Packet 1100

- Acme Packet 3900
- Acme Packet 4600
- Acme Packet 6300
- Acme Packet 6350

Virtual SBCs (vSBCs) require one or more transcoding cores in their startup configuration.

When generating RTCP for a non-transcoded call using DSPs, the system processes the call as a transcoded, but uses a "null" transcoding methodology that sets the input codec equal to the output codec.

The system provides alarms to help you verify the status of the hardware. Refer to "Transcoding Troubleshooting and Maintenance" for more information about transcoding hardware status. Refer to the *Maintenance and Troubleshooting Guide* for information about interface hardware status.

Use the **show xcode xlist** command to verify the presence of transcoding hardware with DSP modules.

## Configuring RTCP Generation

The procedure below provides the steps needed to configure RTCP generation on the Oracle® Enterprise Session Border Controller.

Before proceeding, make sure you know whether your platform supports transcoding. As described in the section on RTCP generation, this can affect your configuration and operational results.

To have your Oracle® Enterprise Session Border Controller generate RTCP traffic statistics reporting:

1. In Superuser mode, use the following command sequence to access the **rtcp-policy** element.

```
ORACLE# configure terminal
ORACLE(configure)# media-manager
ORACLE(media-manager)# rtcp-policy
```

From this point, you can configure a new RTCP policy or select an existing policy for editing.

2. **name**—Name your policy for use when applying it to a **realm-config**.

```
ORACLE(rtcp-policy)# name report-allcalls
```

3. **rtcp-generate**—Enter the desired setting to generate RTCP. The effect of these settings is dependent on the platform and the presence of specific hardware on that platform. See the section on Generating RTCP in the ACLI Configuration Guide for these details.
  - **none**—Disables this policy.
  - **all-xcoded-calls**—The system generates RTCP report information only for the transcoded calls that pass through the realm.

- **all-calls**—The system generates RTCP report information for all calls that pass through the realm.

```
ORACLE(rtcp-policy)# rtcp-generate all-calls
```

4. Type **done** and **exit** to retain your configuration.
5. Access the realm to which you want to apply this rtcp-policy.

```
ORACLE(media-manager)# realm-config  
ORACLE(realm-config)# select
```

6. Apply the rtcp-policy to your realm.

```
ORACLE(realm-config)# rtcp-policy report-allcalls
```

7. Type **done** and exit configuration mode. Save and activate your configuration.

## Obtaining System Information about RTCP Generation

The Oracle® Enterprise Session Border Controller provides information about RTCP report generation within log files.

The **log.mbcd** file, when configured to capture at the DEBUG level, includes system messages related to invoking and firing **rtcp-policy** rules.

An example of applicable log information is provided below.

```
[XC] NatFlow::check_transcoding()  
[XC] SessionSetRtcpPorts for A: src=10001 dest=20001  
[XC] NatFlow::check_transcoding() SessionSetRtcpOptions(A):  
[XC] RtcpPolicy "my_rtcp_policy"; rtcp-generate set to:  
RTCP_GEN_MODE_ALL_CALLS  
[XC] Will generate RTCP with CNAME=192.160.1.100:10001  
[XC] NatFlow::check_transcoding()  
[XC] SessionSetRtcpPorts for B: src=10001 dest=20001  
[XC] NatFlow::check_transcoding() SessionSetRtcpOptions(B):  
[XC] RtcpPolicy "my_rtcp_policy"; rtcp-generate set to:  
RTCP_GEN_MODE_ALL_CALLS  
[XC] Will generate RTCP with CNAME=172.16.1.100:10101
```

Error and non-error system messages related to RTCP generation can be found in **log.sipd**, **log.mbcd**, and **log.xserv**.

## Forced RTCP Receiver Report Generation

When the Oracle® Enterprise Session Border Controller (E-SBC) generates a Real-Time Control Protocol (RTCP) Sender Report using Digital Signalling Processors (DSP)s, the report includes blocks for both sender and receiver statistics in the same report per RFC 3550. When you want to generate a separate RTCP Receiver Report, for example to encapsulate the receiver statistics differently, add the **xcode-gratuitous-rtcp-report-generation** option in the media-manager configuration. After you add the RTCP Receiver Report generation option and reboot

the E-SBC, the system runs RTCP Receiver Reports for all media sessions that generate RTCP from DSPs.

Only systems with transcoding resources can support RTCP Receiver Reports.

The E-SBC can send RTCP sender reports and receiver reports:

- for media streams.
- for media streams with IPv6 Media Bypass OFF.
- when the end point places a call on hold.
- when the system plays music on hold.
- for every secure call for every media stream the E-SBC receives and sends using TLS and SRTP.
- for every secure call for every media stream the E-SBC receives and sends using TLS and SRTP with IPv6 Media Bypass OFF.

You can configure `xcode-gratuitous-rtcp-report-generation` from the CLI and the Web GUI.

## Generate an RTCP Receiver Report

When you want to generate a Real-Time Transport Control Protocol (RTCP) Receiver Report separately from the default Sender-Receiver Report (RFC 3550), for example to encapsulate the receiver statistics differently, add the `xcode-gratuitous-rtcp-report-generation` option in the media-manager configuration. After you add the option and reboot the system, the E-SBC runs RTCP Receiver Reports for all media sessions that generate RTCP from DSPs.

When you add the `xcode-gratuitous-rtcp-report-generation` option, be sure to type the `+` character before the option. The `+` character appends the new option to the realm configuration's options list. Without the `+` character, the system overwrites any previously configured options.

1. Access the **media-manager-config** configuration element.

```
ORACLE# configure terminal
ORACLE(configure)# media-manager
ORACLE(media-manager)# media-manager
ORACLE(media-manager-config)#
```

2. Type **select**, and press Enter.

The system displays the `(media-manager-config)#` prompt.

3. Type **options**, insert a space, type the `+` character, and type **xcode-gratuitous-rtcp-report-generation**.

```
ORACLE (media-manager-config)# options +xcode-gratuitous-rtcp-
report-generation
```

4. Press Enter.
5. Type **done** to save your configuration.
6. Activate the configuration.



7. Reboot the system.

## SNMP

The following sections have been removed from this document. Their content has been reformatted and appears in the MIB Reference guide in the *Codec and Transcoding MIB (ap-codec.mib)* section:

- SNMP Retrieval of Transcoding Statistics
- Acme Packet Codec and Transcoding MIB (ap-codec.mib)
- Acme Packet System Management MIB (ap-smgmt.mib)

## Acme Packet Codec and Transcoding MIB (ap-codec.mib)

The following table describes the SNMP GET query names for the Oracle Codec and Transcoding MIB (ap-codec.mib).

- Object Identifier Name: apCodecMIBObjects (1.3.6.1.4.1.9148.3.7.1)
- Object Identifier Name: apCodecRealmStatsTable (1.3.6.1.4.1.9148.3.7.1.1)
- Object Identifier Name: apCodecRealmStatsEntry (1.3.6.1.4.1.9148.3.7.1.1.1)

SNMP GET Query Name	Object Identifier Name: Number	Description
apCodecRealmCountOther	apCopdecRealmStatsEntry 1.3.6.1.4.1.9148.3.7.1.1.1.1	Count of the SDP media streams received in the realm which negotiated to a codec not defined in this table.
apCodecRealmCountPCMU	apCopdecRealmStatsEntry 1.3.6.1.4.1.9148.3.7.1.1.1.2	Count of SDP media streams received in the realm which negotiated to the PCMU codec.
apCodecRealmCountPCMA	apCopdecRealmStatsEntry 1.3.6.1.4.1.9148.3.7.1.1.1.3	Count of SDP media streams received in the realm which negotiated to the PCMA codec.
apCodecRealmCountG722	apCopdecRealmStatsEntry 1.3.6.1.4.1.9148.3.7.1.1.1.4	Count of SDP media streams received in the realm which negotiated to the G722 codec.
apCodecRealmCountG723	apCopdecRealmStatsEntry 1.3.6.1.4.1.9148.3.7.1.1.1.5	Count of SDP media streams received in the realm which negotiated to the G723 codec.
apCodecRealmCountG726-16	apCopdecRealmStatsEntry 1.3.6.1.4.1.9148.3.7.1.1.1.6	Count of SDP media streams received in the realm which negotiated to the G726-16 codec.
apCodecRealmCountG726-24	apCopdecRealmStatsEntry 1.3.6.1.4.1.9148.3.7.1.1.1.7	Count of SDP media streams received in the realm which negotiated to the G726-24 codec.

SNMP GET Query Name	Object Identifier Name: Number	Description
apCodecRealmCountG726-32	apCopdecRealmStatsEntry 1.3.6.1.4.1.9148.3.7.1.1.1.8	Count of SDP media streams received in the realm which negotiated to the G726-32 codec.
apCodecRealmCountG726-40	apCopdecRealmStatsEntry 1.3.6.1.4.1.9148.3.7.1.1.1.9	Count of SDP media streams received in the realm which negotiated to the G726-40 codec.
apCodecRealmCountG728	apCopdecRealmStatsEntry 1.3.6.1.4.1.9148.3.7.1.1.1.10	Count of SDP media streams received in the realm which negotiated to the G728 codec.
apCodecRealmCountG729	apCopdecRealmStatsEntry 1.3.6.1.4.1.9148.3.7.1.1.1.11	Count of SDP media streams received in the realm which negotiated to the G729 codec.
apCodecRealmCountGSM	apCopdecRealmStatsEntry 1.3.6.1.4.1.9148.3.7.1.1.1.12	Count of SDP media streams received in the realm which negotiated to the GSM codec.
apCodecRealmCountILBC	apCopdecRealmStatsEntry 1.3.6.1.4.1.9148.3.7.1.1.1.13	Count of SDP media streams received in the realm which negotiated to the iLBC codec.
apCodecRealmCountAMR	apCopdecRealmStatsEntry 1.3.6.1.4.1.9148.3.7.1.1.1.14	Count of SDP media streams received in the realm which negotiated to the AMR codec.
apCodecRealmCountEVRC	apCopdecRealmStatsEntry 1.3.6.1.4.1.9148.3.7.1.1.1.15	Count of SDP media streams received in the realm which negotiated to the EVRC codec.
apCodecRealmCountH261	apCopdecRealmStatsEntry 1.3.6.1.4.1.9148.3.7.1.1.1.16	Count of SDP media streams received in the realm which negotiated to the H261 codec.
apCodecRealmCountH263	apCopdecRealmStatsEntry 1.3.6.1.4.1.9148.3.7.1.1.1.17	Count of SDP media streams received in the realm which negotiated to the H.263 codec.
apCodecRealmCountT38	apCopdecRealmStatsEntry 1.3.6.1.4.1.9148.3.7.1.1.1.18	Count of SDP media streams received in the realm which negotiated to the T.38 codec.
apCodecRealmCountAMRWB	apCopdecRealmStatsEntry 1.3.6.1.4.1.9148.3.7.1.1.1.19	Count of SDP media streams received in the realm which negotiated to the AMR-WB codec.

SNMP GET Query Name	Object Identifier Name: Number	Description
apCodecRealmCountEVR0	apCodecRealmStatsEntry 1.3.6.1.4.1.9148.3.7.1.1.1.20	Count of SDP media streams received in the realm which negotiated to the EVR0 codec.
apCodecRealmCountEVR1	apCodecRealmStatsEntry 1.3.6.1.4.1.9148.3.7.1.1.1.21	Count of SDP media streams received in the realm which negotiated to the EVR1 codec.
apCodecRealmCountEVRB	apCodecRealmStatsEntry 1.3.6.1.4.1.9148.3.7.1.1.1.22	Count of SDP media streams received in the realm which negotiated to the EVRB codec.
apCodecRealmCountEVRB0	apCodecRealmStatsEntry 1.3.6.1.4.1.9148.3.7.1.1.1.23	Count of SDP media streams received in the realm which negotiated to the EVRB0 codec.
apCodecRealmCountEVRB1	apCodecRealmStatsEntry 1.3.6.1.4.1.9148.3.7.1.1.1.24	Count of SDP media streams received in the realm which negotiated to the EVRB1 codec.

- Object Identifier Name: apTranscodingMIBObjects (1.3.6.1.4.1.9148.3.7.2)
- Object Identifier Name: apCodecTranscodingRealmStatsTable (1.3.6.1.4.1.9148.3.7.2.1)
- Object Identifier Name: apTranscodingRealmStatsEntry (1.3.6.1.4.1.9148.3.7.2.1.1)

SNMP GET Query Name	Object Identifier Name: Number	Description
apCodecRealmSessionsTransparent	apCodecTranscodingRealmStatsEntry: 1.3.6.1.4.1.9148.3.7.2.1.1.1	Number of sessions in the realm that did not use any DSP resources for transcoding or transrating.
apCodecRealmSessionsTransrated	apCodecTranscodingRealmStatsEntry: 1.3.6.1.4.1.9148.3.7.2.1.1.2	Number of sessions in the realm that had a common codec but used DSP resources to modify packetization rate.
apCodecRealmSessionsTranscoded	apCodecTranscodingRealmStatsEntry: 1.3.6.1.4.1.9148.3.7.2.1.1.3	Number of sessions in the realm that had used DSP resources to transcode between codecs.

- Object Identifier Name: apSysMgmtMIBSessionObjects (1.3.6.1.4.1.9148.3.2.1.2)
- Object Identifier Name: apSigRealmStatsTable (1.3.6.1.4.1.9148.3.2.1.2.4)
- Object Identifier Name: apSigRealmStatsEntry (1.3.6.1.4.1.9148.3.2.1.2.4.1)

SNMP GET Query Name	Object Identifier Name: Number	Description
apSigRealmStatsRealmName	apSigRealmStatsEntry: 1.3.6.1.4.1.9148.3.2.1.2. 4.1.2	Name of the realm the following for which the following statistics are being calculated.
apSigRealmStatsCurrentActiveSessionsInbound	apSigRealmStatsEntry: 1.3.6.1.4.1.9148.3.2.1.2. 4.1.3	Number of current active inbound sessions.
apSigRealmStatsCurrentSessionRateInbound	apSigRealmStatsEntry: 1.3.6.1.4.1.9148.3.2.1.2. 4.1.4	Current inbound session rate in CPS.
apSigRealmStatsCurrentActiveSessionsOutbound	apSigRealmStatsEntry: 1.3.6.1.4.1.9148.3.2.1.2. 4.1.5	Number of current active outbound sessions.
apSigRealmStatsCurrentSessionRateOutbound	apSigRealmStatsEntry: 1.3.6.1.4.1.9148.3.2.1.2. 4.1.6	Current outbound session rate in CPS.
apSigRealmStatsTotalSessionsInbound	apSigRealmStatsEntry: 1.3.6.1.4.1.9148.3.2.1.2. 4.1.7	Total number of inbound sessions.
apSigRealmStatsTotalSessionsNotAdmittedInbound	apSigRealmStatsEntry: 1.3.6.1.4.1.9148.3.2.1.2. 4.1.8	Total number of inbound sessions rejected due to insufficient bandwidth.
apSigRealmStatsPeriodHighInbound	apSigRealmStatsEntry: 1.3.6.1.4.1.9148.3.2.1.2. 4.1.9	Highest number of concurrent inbound sessions during the period.
apSigRealmStatsAverageRateInbound	apSigRealmStatsEntry: 1.3.6.1.4.1.9148.3.2.1.2. 4.1.10	Average rate of inbound sessions during the period in CPS.
apSigRealmStatsTotalSessionsOutbound	apSigRealmStatsEntry: 1.3.6.1.4.1.9148.3.2.1.2. 4.1.11	Total number of outbound sessions.
apSigRealmStatsTotalSessionsNotAdmittedOutbound	apSigRealmStatsEntry: 1.3.6.1.4.1.9148.3.2.1.2. 4.1.12	Total number of outbound sessions rejected due to insufficient bandwidth.
apSigRealmStatsPeriodHighOutbound	apSigRealmStatsEntry: 1.3.6.1.4.1.9148.3.2.1.2. 4.1.13	Highest number of concurrent outbound sessions during the period.
apSigRealmStatsAverageRateOutbound	apSigRealmStatsEntry: 1.3.6.1.4.1.9148.3.2.1.2. 4.1.14	Average rate of outbound sessions during the period in CPS.
apSigRealmStatsMaxBurstRate	apSigRealmStatsEntry: 1.3.6.1.4.1.9148.3.2.1.2. 4.1.15	Maximum burst rate of traffic measured during the period (combined inbound and outbound).
apSigRealmStatsPeriodSeizures	apSigRealmStatsEntry: 1.3.6.1.4.1.9148.3.2.1.2. 4.1.16	Total number of seizures during the period.
apSigRealmStatsPeriodAnswers	apSigRealmStatsEntry: 1.3.6.1.4.1.9148.3.2.1.2. 4.1.17	Total number of answered sessions during the period.

SNMP GET Query Name	Object Identifier Name: Number	Description
apSigRealmStatsPeriodASR	apSigRealmStatsEntry: 1.3.6.1.4.1.9148.3.2.1.2.4.1.18	Answer-to-seizure ratio, expressed as a percentage. For example, a value of 90 represents 90% or .90.
apSigRealmStatsAverageLatency	apSigRealmStatsEntry: 1.3.6.1.4.1.9148.3.2.1.2.4.1.19	Average observed one-way signaling latency during the period in milliseconds.
apSigRealmStatsMaximumLatency	apSigRealmStatsEntry: 1.3.6.1.4.1.9148.3.2.1.2.4.1.20	Maximum observed one-way signaling latency during the period in milliseconds.
apSigRealmStatsMinutesLeft	apSigRealmStatsEntry: 1.3.6.1.4.1.9148.3.2.1.2.4.1.21	Number of monthly-minutes left in the pool per calendar month for a given realm.
apSigRealmStatsMinutesRejected	apSigRealmStatsEntry: 1.3.6.1.4.1.9148.3.2.1.2.4.1.22	Peg counts of number of rejected calls due to monthly-minutes constraints exceeded.
apSigRealmStatsShortSessions	apSigRealmStatsEntry: 1.3.6.1.4.1.9148.3.2.1.2.4.1.23	Lifetime number of sessions whose duration was less than the configured short session duration.

## Acme Packet System Management MIB (ap-smgmt.mib)

The following VARBINDs are used in Transcoding related traps. They may not be polled and retrieved using an SNMP GET.

- Object Identifier Name: apSysMgmtMIBObjects (1.3.6.1.4.1.9148.3.2.1)
- Object Identifier Name: apSysMgmtGeneralObjects (1.3.6.1.4.1.9148.3.2.1.1)

SNMP Object Name	Object Identifier Name: Number	Description
apSysXCodeCapacity	apSysMgmtGeneralObjects 1.3.6.1.4.1.9148.3.2.1.1.34	Percentage of transcoding utilization.
apSysXCodeAMRCapacity	apSysMgmtGeneralObjects 1.3.6.1.4.1.9148.3.2.1.1.35	Percentage of licensed AMR transcoding sessions.
apSysXCodeAMRWBCapacity	apSysMgmtGeneralObjects 1.3.6.1.4.1.9148.3.2.1.1.36	Percentage of licensed AMR-WB transcoding sessions.
apSysXCodeEVRCCapacity	apSysMgmtGeneralObjects 1.3.6.1.4.1.9148.3.2.1.1.39	Percentage of licensed EVRC transcoding sessions.
apSysXCodeEVRBCapacity	apSysMgmtGeneralObjects 1.3.6.1.4.1.9148.3.2.1.1.39	Percentage of licensed EVRCB transcoding sessions.

## Acme Packet 6300 NIU Hotswap Guidelines

The Oracle® Enterprise Session Border Controller 6300 provides a 3-slot chassis. Each chassis is monitored by a dedicated Hot-Swap sensor that maintains state information for the resident Network Interface Units.

The Oracle® Enterprise Session Border Controller 6300 is the first multi-slot SBC that runs C series software. A hotswap sensor, located on each of the 6300's three slots, provides the ability to track the state of individual network interface units (NIUs) in the 6300 chassis.

There are 8 possible associated states as shown below.

PRESENT/NOT PRESENT inserted in a 6300 slot	Checks the physical presence of a NIU
LATCH OPEN/LATCH CLOSED	Checks the physical latch in the back of a NIU
POWER GOOD/ POWER BAD	Checks the power conditions of an NIU
READY/NOT READY	Checks all of the three previous state

A fully functional NIU is always in the following state: present, latch closed, power good, and ready.

The status of each NIU can be checked by issuing the command **show platform hotswap** from the ACLI.

## Network Interface Unit Removal/Replacement -- Standalone Node

A user or field engineer can remove a Network Interface Unit (NIU) from the 6300 chassis. When an NIU is removed, all services associated with the NIU (for example, media transmission, signaling, transcoding, and so on) will be interrupted and the system will be out-of-service (OOS).

Use the following procedure to remove an NIU.

1. Working from the back of the chassis, carefully open the NIU's latch. The hotswap LED placed directly above the NIU will transition from green (present/latch close/ready) to blinking blue. After 10 seconds it will stop blinking and remain blue (present/latch open/not ready).
2. You can now safely remove your NIU.

Removing the NIU generates a critical alarm notifying the user that the NIU has been removed. Additionally, the Vacuum Fluorescent Display (VFD) displays a hardware alarm and starts blinking. From the ACLI, issue a "reboot force" command.

To see the alarm use: "display-alarms" from the ACLI.

To replace an NIU, insert an NIU of a different or the same type as the one used before.

The alarm manager clears the critical alarm, and issues new minor alarm to alert the user that an NIU was inserted after the boot sequence. At this point the system is still OOS.

After rebooting the system, service will be restored, and the new NIU will be functional

## NIU Removal/Replacement -- High Availability Deployment

You cannot remove an NIU from the chassis of a 6300 SBC functioning in the active mode. If an NIU is accidentally removed, (1) all services will be interrupted; (2) a critical alarm will be triggered to notify the user that the NIU has been removed; (3) the system will relinquish its active state; and (4) proceed to reboot itself.

Under this scenario, service will not be interrupted because the standby node will assume the active role

In a 6300 functioning in standby mode, the user or field engineer can remove an NIU from the chassis. All services associated with the NIU (for example, media transmission, signaling, transcoding, and so on) will be interrupted and the standby node will be OOS. Removal of an NIU from the standby, however, will not affect the active node which remains in service.

Use the following procedure to remove an NIU from the standby node.

1. Working from the back of the chassis, carefully open the NIU's latch. The hotswap LED placed directly above the NIU will transition from green (present/latch close/ready) to blinking blue. After 10 seconds it will stop blinking and remain blue (present/latch open/not ready)
2. You can now safely remove the NIU. To replace an NIU, insert an NIU of the same type as the one used before.

Removing the NIU generates a critical alarm notifying the user that the NIU has been removed. Additionally, the VFD displays a hardware alarm and starts blinking

To see the alarm use: "display-alarms" from the ACLI.

The alarm manager clears the critical alarm, and issues a new minor alarm to alert the user that an NIU was inserted after the boot sequence. At this point the system is still OOS.

From the ACLI, issue a "reboot force" command.

After rebooting the standby, it will revert to standby mode.

# DTMF Transfer and Support

## DTMF Interworking

Multimedia devices and applications can exchange user-input DTMF information end-to-end over IP networks. The Oracle® Enterprise Session Border Controller provides the capabilities required to interconnect networks and devices that use different DTMF indication signaling protocols.

## DTMF Indication

There are three ways to convey DTMF information for packet-based communications:

- DTMF audio tones: DTMF digit waveforms are encoded inline with voice packets. This method only works with uncompressed audio codecs like G.711. Compressed audio codecs like G.729 and G.723 are incompatible with DTMF audio. DTMF audio is also referred to as in-band tones.
- Out-of-band signaling events: SIP INFO messages with Content-Type: application/dtmf-relay define out-of-band signaling events for transmitting DTMF information. SIP INFO messages separate DTMF digits from the voice stream and send them in their own signaling message.
- RTP named telephony events (NTE): RFC 2833 telephone-events are a standard that describes how to transport DTMF tones in RTP packets according to section 3 of RFC 2833. Of the three RTP payload formats available, the Oracle® Enterprise Session Border Controller supports RTP NTE.

## RFC 2833 telephone-event

RFC 2833 specifies a way of encoding DTMF-indications in RTP media streams. It does not encode the audio of the tone itself, instead data represents the sent tone. RFC 2833 can be used with SIP.

RFC 2833 defines the format of NTE RTP packets used to transport DTMF digits and other telephony events between two peer endpoints. With the NTE method, the endpoints perform per-call negotiation of the DTMF transfer method. They also negotiate to determine the payload type value for the NTE RTP packets.

The NTE payload takes the place of codec data in a standard RTP packet. The payload type number field of the RTP packet header identifies the contents as 2833 NTE. The payload type number is negotiated per call. The local device sends the payload type number to use for RFC 2833 packets using SDP, which tells the other side what payload type number to use when sending the named event packets to the local device. Most devices use payload type number 101 for RFC 2833 packets, although no default is specified in the standard.



The RFC 2833 packet's RTP header also makes use of the timestamp field. Because events often last longer than the RFC 2833 packets sending interval, the timestamp of the first 2833 packet for an event represents the beginning reference time for subsequent RFC 2833 packets for that same event. For events that span multiple RTP packets, the RTP timestamp identifies the beginning of the event. As a result, several RTP packets might carry the same timestamp.

## SIP INFO Messages

SIP INFO messages can send indications of DTMF audio tones between peers as part of the signaling path of the call. Upon receipt of a SIP INFO message with DTMF content, the gateway generates the specified DTMF tone on the receiving end of the call.

## DTMF Transfer Processing Overview

Enabling 2 UAs to communicate different DTMF indications with each other is facilitated in two steps. First, the Oracle® Enterprise Session Border Controller takes an active role in the SDP negotiation between two UAs, this is the capability negotiation step. You can configure your system to suggest the DTMF indication methods that each endpoint can and can not use.

The second step is translation evaluation. After the SDP negotiation is complete, based on system configuration and the media support on each call leg, the Oracle® Enterprise Session Border Controller performs DTMF indication conversion or passive forwarding of DTMF indication messages between UAs.

## Capability Negotiation

SDP capability negotiation is the first phase of enabling DTMF transfer. The completion of the SDP offer/answer exchange yields a set of supported codecs between each UA and the Oracle® Enterprise Session Border Controller .

For DTMF transfer consideration, SDP manipulation is directed by parameters set in one of three configuration elements:

- codec policy
- signaling interface's RFC 2833 mode
- session agent's RFC 2833 mode

The Oracle® Enterprise Session Border Controller performs SDP manipulation (addition, removal, or modification of supported codecs) toward the called party first by any applicable codec policies. If one or more of the actions which define telephone-event Modification by Codec Policy occurs, then SDP manipulation is only performed by the codec policy configuration, not by RFC 2833 mode parameters in the signaling interface or session agent.

If a codec policy attached to either the ingress or egress realm triggers SDP manipulation, then the other realm uses codec policy for any telephone-event SDP manipulation; none of the RFC 2833 Mode configurations are used for SDP manipulation.

 **Note:**

If the call does not trigger the evaluation of any codec policies, all DTMF transfer processing is only subject to RFC 2833 Mode rules.

If none of the telephone-event Modification by Codec occur, then the Oracle® Enterprise Session Border Controller performs SDP manipulation according to the RFC 2833 Mode parameters in the signaling interface or session agent.

## SDP Manipulated by Codec Policy

When a call is received, any applicable codec policies are applied and evaluated. If telephone-event SDP is modified by codec policies, then SDP manipulation by RFC 2833 Mode is not performed for either side of the call.

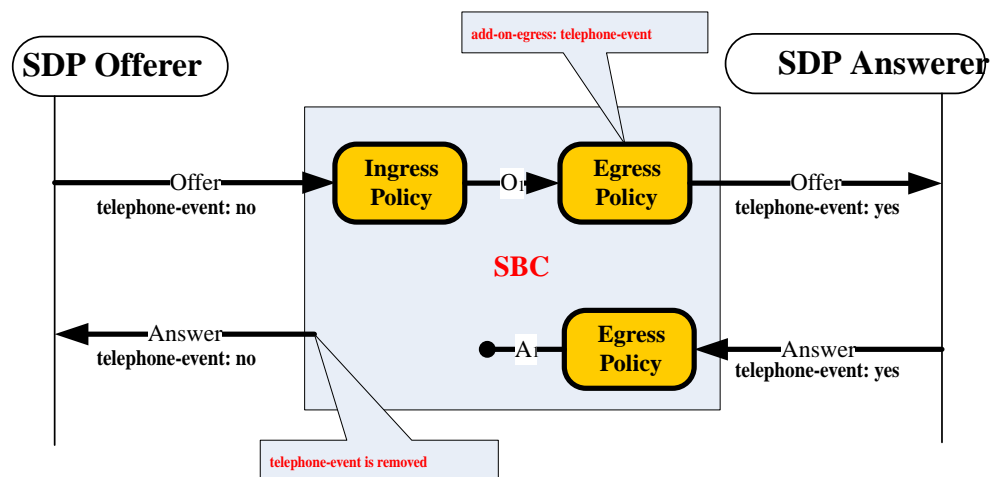
### telephone-event Modification by Codec Policy

For qualifying if telephone-event modification in SDP was performed by codec policy, one of the following events had to have happened:

- Codec policy explicitly deleted telephone-event by configuring **allow telephone-event:no**
- Codec policy explicitly added telephone-event by configuring **add-on-egress telephone-event**
- Codec policy implicitly denied telephone-event by allowing one or more codecs but not adding telephone-event to the allow list
- Codec policy has **audio:no** configured in the allow list

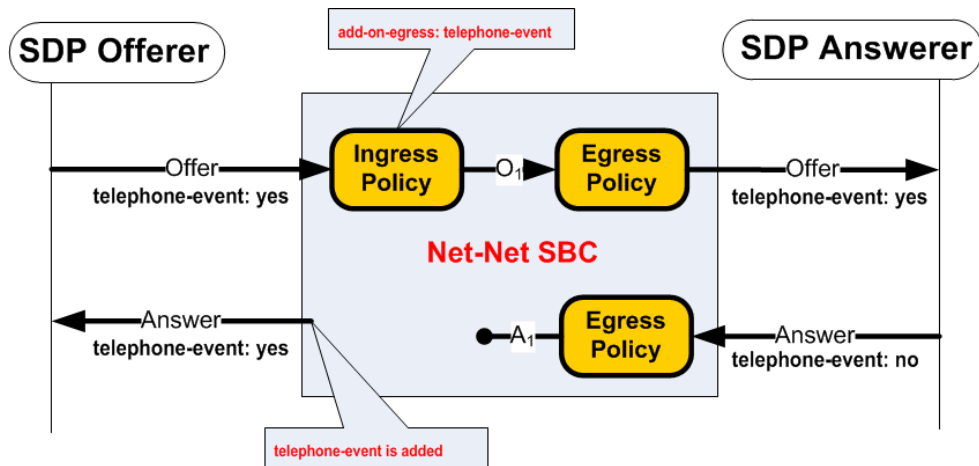
The following three cases highlight how codec policies can manipulate telephone-event SDP. Once any of these cases occurs, SDP manipulation by RFC 2833 Mode parameter will not be performed.

1. telephone-event added to SDP: The codec policy adds telephone-event to the SDP sent to the egress realm. The UA supports telephone-event.

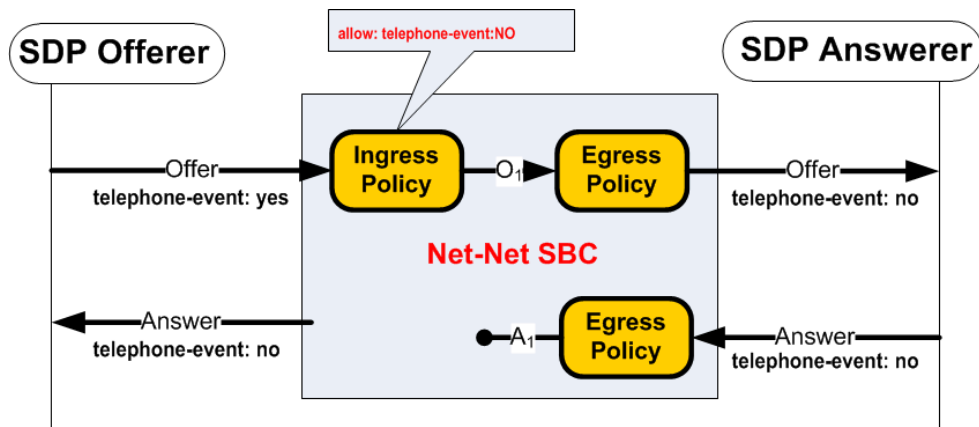


2. telephone-event maintained in SDP: The codec policy maintains the offered telephone-event in the SDP sent into the egress realm. Although telephone-event

was not answered in the egress realm, telephone-event is added back to the offerer-side SDP because of the add-on-egress setting in the ingress realm.



3. telephone-event removed from SDP: codec policy removes telephone-event from the initial SDP offer. telephone-event is not forwarded to the Answerer, and subsequently not returned from the answerer, or forwarded again to the offerer.



## SDP Manipulated by RFC 2833 Mode

If none of the telephone-event Modification by Codec Policy events occur, as previously explained, SDP may still be modified by RFC 2833 Mode parameter if preferred or dual mode is configured.

The RFC 2833 mode parameter functions similarly to the add-on-egress parameter; it suggests telephone-event support, by adding it in SDP if not already there. This parameter must be set to preferred or dual to add telephone-event to SDP.

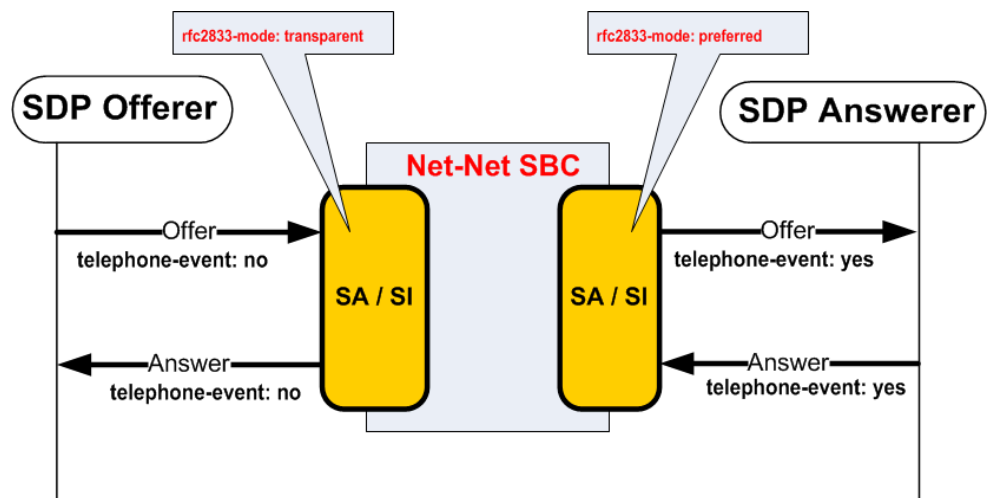
## Transparent RFC 2833 Support

Setting a signaling interface or session agent's RFC 2833 mode to transparent disables the addition of RFC 2833 telephone-event to SDP upon egress. The Oracle® Enterprise Session Border Controller passes the offered SDP capabilities to the next-hop signaling element.

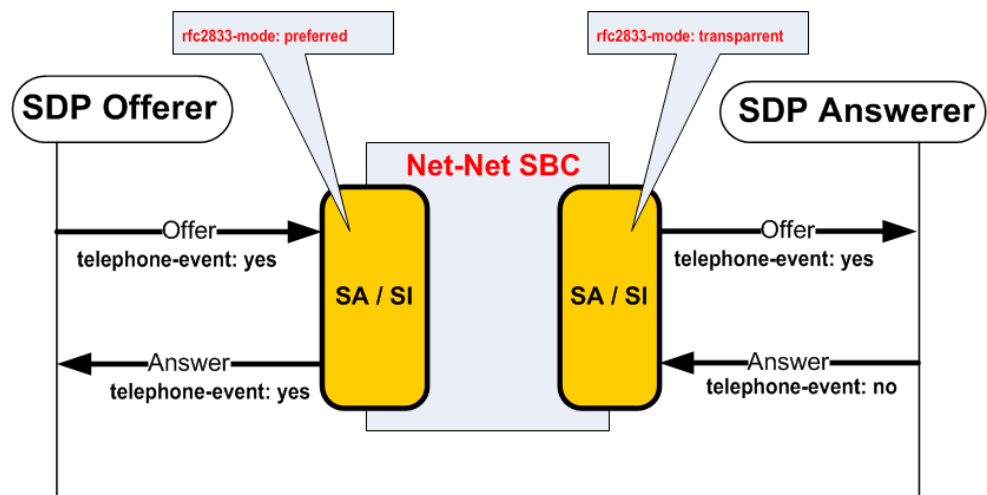
## Preferred RFC 2883 Support

Setting a signaling interface or session agent's RFC 2883 mode to preferred indicates that the RFC 2883 telephone-event DTMF transfer method is the preferred method for sending a DTMF indication. In the capability negotiation phase a telephone-event media type will be inserted in the outgoing SDP offer, if it was not present in the original offer.

1. In the following example RFC 2883 mode is set to preferred on the egress side of the call. Because there is no telephone-event in the SDP, and RFC 2883 mode is set to preferred, the Oracle® Enterprise Session Border Controller adds telephone-event to the SDP offer.



2. In the following example, RFC 2883 is set to preferred mode on the SDP offer side of the call. The Oracle® Enterprise Session Border Controller maintains the telephone-event support even though telephone-event is not supported on the SDP answerer's side of the call.



## RFC 2833 Payload Type Mapping

The Oracle® Enterprise Session Border Controller does not require that call legs use the same media type for telephone-event. If each call leg uses a different media type value, the Oracle® Enterprise Session Border Controller facilitates payload type mapping to ensure the telephone-event media stream be reliably transported across the call.

- On the SDP offer side, when the Oracle® Enterprise Session Border Controller returns its SDP answer, it uses the same media type that the SDP offerer offered.
- The Oracle® Enterprise Session Border Controller forwards the originally offered telephone-event media type to the SDP answerer. If telephone-event was added by RFC 2833 mode, the Oracle® Enterprise Session Border Controller adds telephone-event with the media type value configured in the RFC 2833 payload parameter. If telephone-event was added by a codec policy, the Oracle® Enterprise Session Border Controller adds telephone-event with the media type value configured in the media profile.
- If the SDP answerer returns a new value for telephone-event, the Oracle® Enterprise Session Border Controller still supports RFC 2833 on that side of the call and uses the media type that the answerer sent.

## Translation Evaluation

After SDP has been negotiated, the Oracle® Enterprise Session Border Controller determines what types of DTMF translation takes place for the call. The Oracle® Enterprise Session Border Controller sequentially evaluates the following rules for each call leg to determine what DTMF indication type it will forward to an endpoint.

1. RFC 2833—When the SDP offer/answer exchange resolves to both the Oracle® Enterprise Session Border Controller and the endpoint supporting RFC 2833 on one side of the call, the Oracle® Enterprise Session Border Controller will send DTMF indications in RFC 2833 format.
2. DTMF audio tones—Three conditions must be met for the Oracle® Enterprise Session Border Controller to support DTMF audio tones, as transcoded from another DTMF indication form:
  - The applicable codec policy's dtmf in audio parameter is set to preferred
  - The endpoint and Oracle® Enterprise Session Border Controller have negotiated to a DTMFable codec (G711)
  - Transcoding resources are available

 **Note:**

Because of rule number one, rule number two can not happen if RFC 2833 is supported in SDP—Only one media-based DTMF transfer method, RFC 2833 or DTMF audio tones may be used on a call leg.

3. If neither RFC 2833 nor DTMF Audio tones are supported on a call leg, as a result of SDP negotiation, then the Oracle® Enterprise Session Border Controller

forwards DTMF indication messages to that side in signaling message format (SIP INFO).

In the following images that illustrate DTMF transfer scenarios, a gears icon appears when relevant. This icon indicates that the Oracle® Enterprise Session Border Controller performs DTMF indication processing, creating DTMF audio tones or RFC 2833 telephone-event messages from another form of DTMF indication.

## RFC 2833 Sent by Offerer

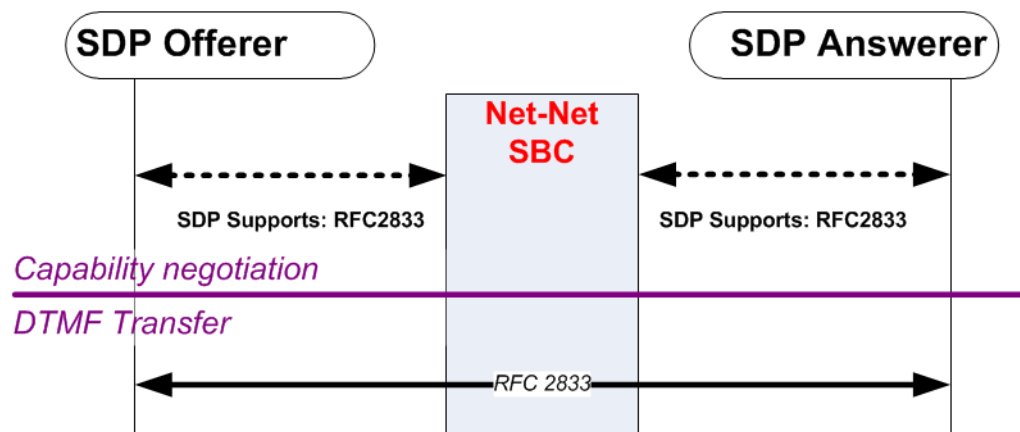
In the following three examples, the SDP offerer sends DTMF indication messages in RFC 2833 format. The SDP answerer can receive DTMF indications in the format identified in each example.

### RFC 2833 to RFC 2833

When the SDP offer and answer sides of a call both support RFC 2833, the Oracle® Enterprise Session Border Controller forwards RFC 2833 messages between both sides of the call. No processing is used to transform these DTMF-indication messages to another format.

#### Note:

When the audio stream is transcoded, DTMF audio is completely removed from the audio stream.



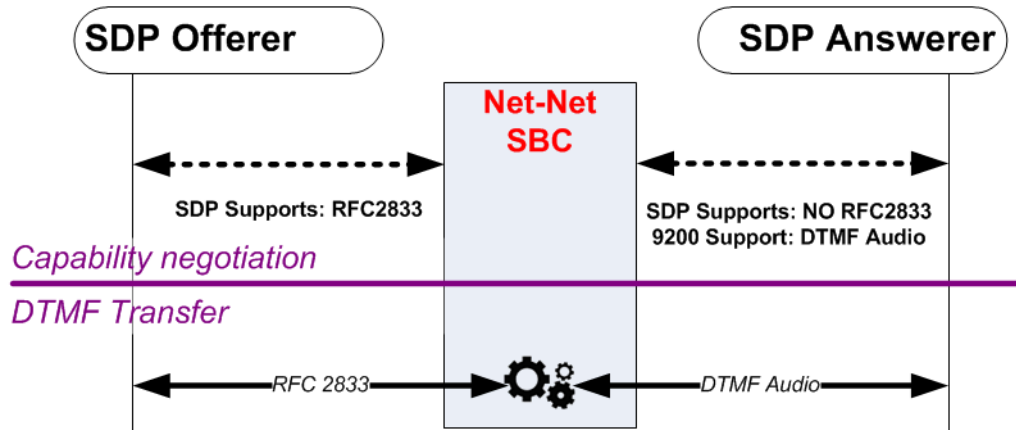
A SIP INFO message received from either the offerer or answerer is forwarded unconverted to the other side of the call.

If there is no audio transcoding enabled for this call, and the egress side is set to dual, a received SIP INFO message will not be converted to both RFC 2833 and SIP INFO messages for sending to the other side of the call.

If DTMF audio tones are received from either the offerer or answer, they are forwarded unconverted to the other side (when the audio portion of the call is not transcoded).

## RFC 2833 to DTMF Audio Tones

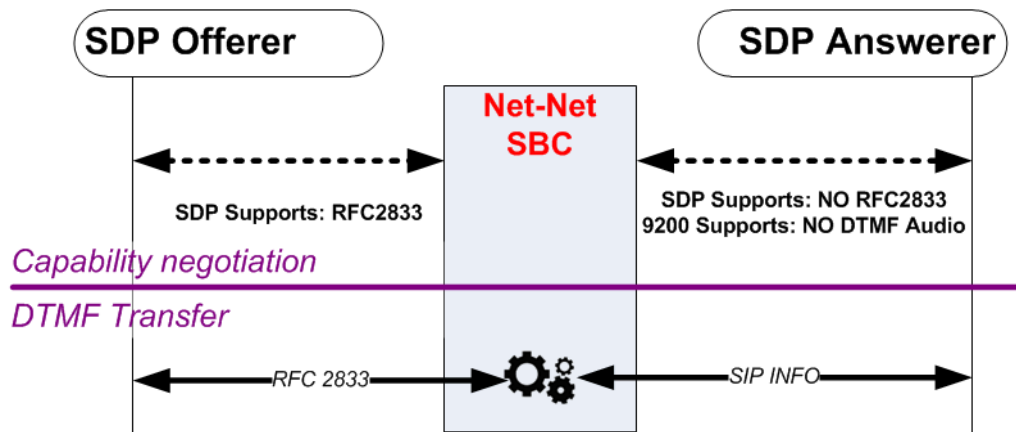
When the SDP offer side supports RFC 2833, and the SDP answer side supports the three DTMF Audio Tone conditions and does not support RFC 2833, the Oracle® Enterprise Session Border Controller converts from RFC 2833 to DTMF audio tones for the call.



A SIP INFO message received by the Oracle® Enterprise Session Border Controller from either the offerer or answerer is converted into the DTMF transfer method that the previous diagram shows for the egress side of the message. In this case, transcoding resources are used.

## RFC 2833 to SIP INFO

When the SDP offer side supports RFC 2833 and the SDP answer side does not support the DTMF conditions nor RFC 2833, the Oracle® Enterprise Session Border Controller converts from RFC 2833 to SIP INFO.



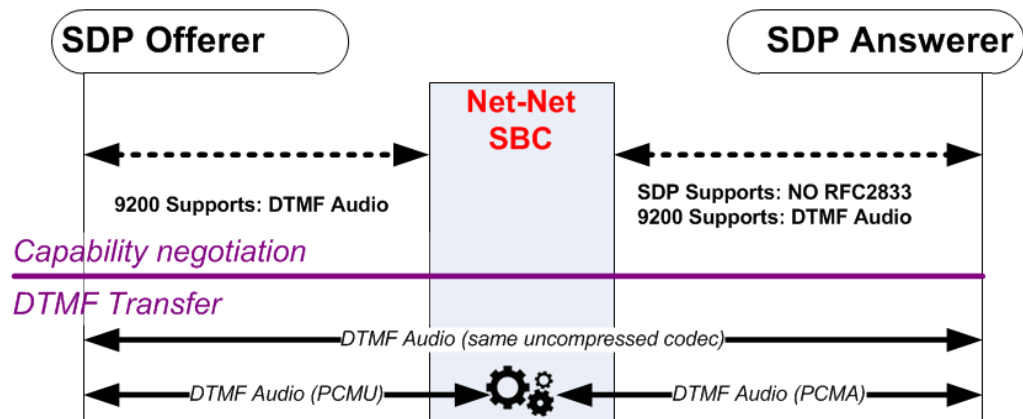
If a SIP message is received from the offerer, it is forwarded unconverted to the answerer.

## DTMF Audio Tones Sent by Offerer

In the following three examples, the SDP offerer sends DTMF indication messages in DTMF audio tones format. The SDP answerer can receive DTMF indications in the format identified in each example.

### DTMF Audio to DTMF Audio

If the SDP offer and answer sides both support the same type of G711 codec, the audio stream is forwarded between the two sides without processing.

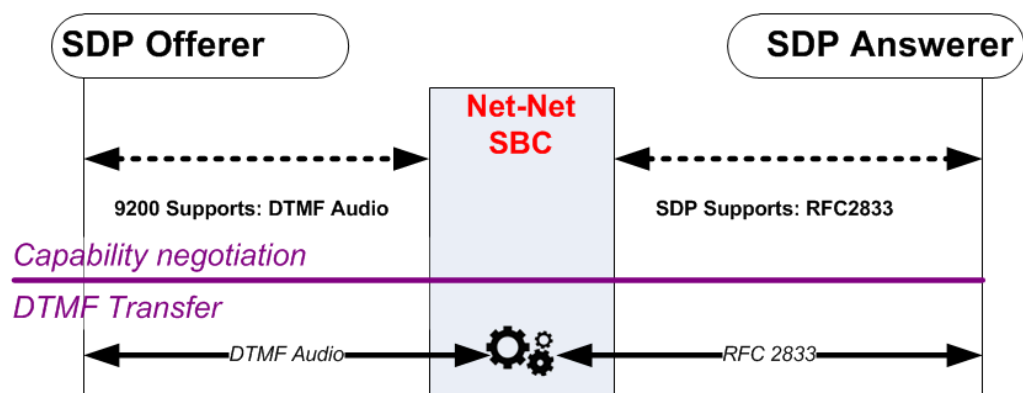


If the two sides of the call support DTMF tones, but use different audio codecs, and the SDP answer side supports the three DTMF Audio Tone conditions and does not support RFC 2833 then the Oracle® Enterprise Session Border Controller will preserve DTMF audio tone indication across the call.

Transcoding resources are used only if different audio codecs are used or the Override Preferred DTMF Audio feature is enabled.

### DTMF Audio to RFC 2833

When the SDP offer side supports DTMF audio tones, and the SDP answer side supports RFC 2833, and transcoding resources are available, and does NOT support either or both of the first two DTMF Audio tone conditions, then the Oracle® Enterprise Session Border Controller will convert incoming DTMF audio tones to outgoing RFC 2833 packets.

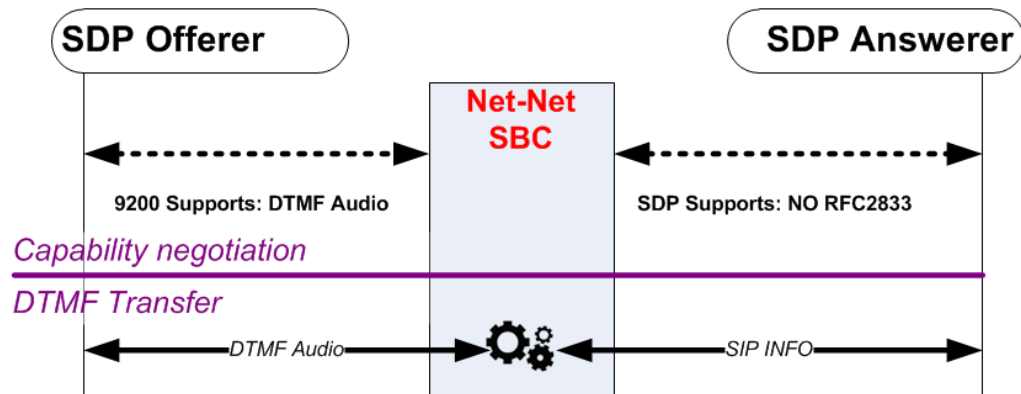




Transcoding resources are always required in this scenario.

## DTMF Audio to SIP

When the SDP offer side supports DTMF audio tones, and the SDP answer side does not support RFC 2833, and does not support the three DTMF Audio Tone conditions, then the Oracle® Enterprise Session Border Controller converts incoming DTMF audio tones to SIP INFO messages.



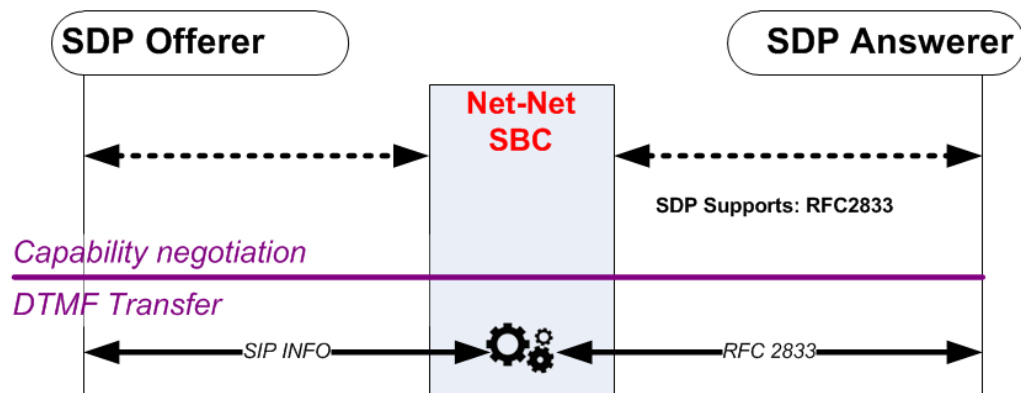
Transcoding resources are always required in this scenario.

## SIP INFO Sent By Offerer

In the following three examples, the SDP offerer sends DTMF indication messages in SIP INFO message format. The SDP answerer can receive DTMF indications in the format identified in each example.

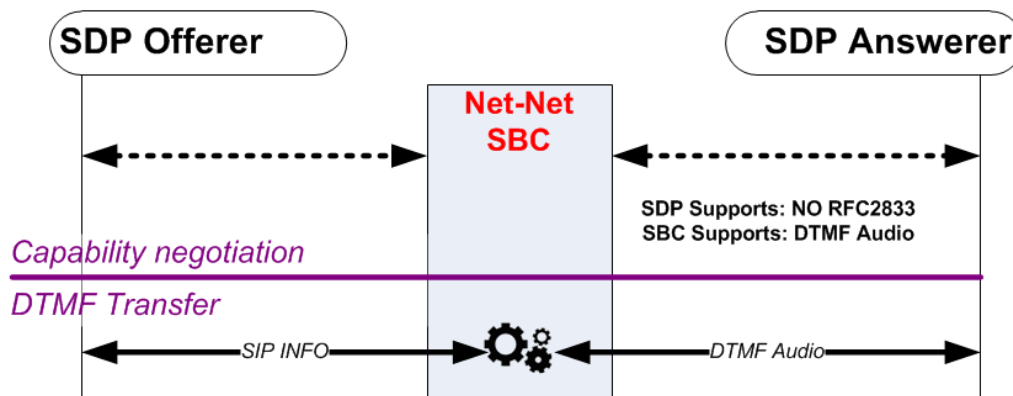
### SIP INFO to RFC 2833

When the SDP offer side sends a SIP INFO message, and the SDP answer side supports RFC 2833, then the Oracle® Enterprise Session Border Controller will convert incoming SIP INFO messages to outgoing RFC 2833 packets.



## SIP INFO to DTMF Audio

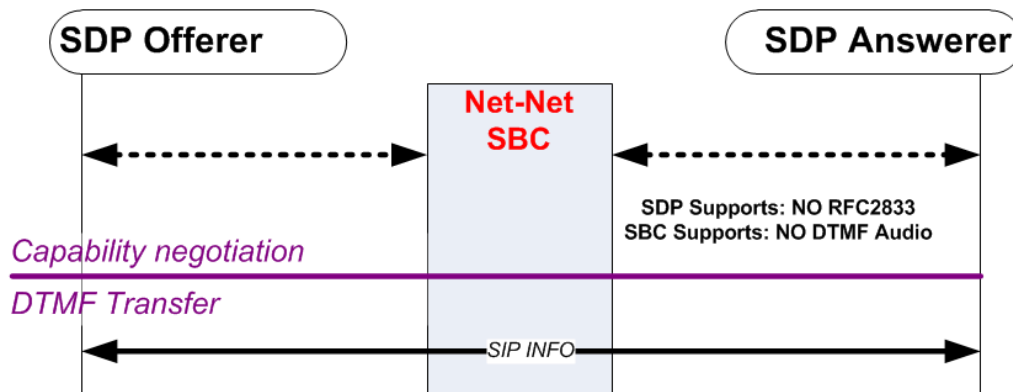
SIP INFO will only be converted to DTMF audio tones only if RFC 2833 is not supported, dtmf-in-audio is enabled, the answer side supports a G711 codec, and transcoding resources are available.



Transcoding resources are always required in this scenario.

## SIP INFO to SIP INFO

When the SDP offer side sends a SIP INFO message and the SDP answer side does not support RFC 2833 and does not support the three DTMF audio tone conditions, the SIP INFO message will always be forwarded as the like SIP INFO message.



## Dual Mode

Dual mode is used to send both RFC 2833 and the protocol-specific DTMF indication to a UA when possible: SIP INFO from a SIP interface.

To consider dual mode scenarios, the Oracle® Enterprise Session Border Controller sets up the call SDP. At the conclusion of the capability negotiation, the Oracle® Enterprise Session Border Controller is configured to support DTMF Audio tones or RFC 2833 independently for each side of the call.

When the call leg supports RFC 2833 as the means of DTMF transfer, the Oracle® Enterprise Session Border Controller checks if the SIP interface's (or session agent's) RFC 2833-mode parameter is configured to dual. If it is, the Oracle® Enterprise Session Border Controller sends both RFC 2833 and SIP INFO messages to the UA on this side of the call.

**Note:**

Whether RFC 2833 support was initiated between the Oracle® Enterprise Session Border Controller and the UA by a codec policy or by the rfc2833-mode parameter, the Oracle® Enterprise Session Border Controller looks to the rfc-2833 parameter to consider if dual mode is supported.

When the call leg supports DTMF audio tones as the means of DTMF transfer, the Oracle® Enterprise Session Border Controller checks if the codec policy's dtmf-in-audio parameter is configured to dual. If it is, the Oracle® Enterprise Session Border Controller sends both DTMF audio tones and SIP INFO messages to the UA on this side of the call.

## P-Dual-Info Header

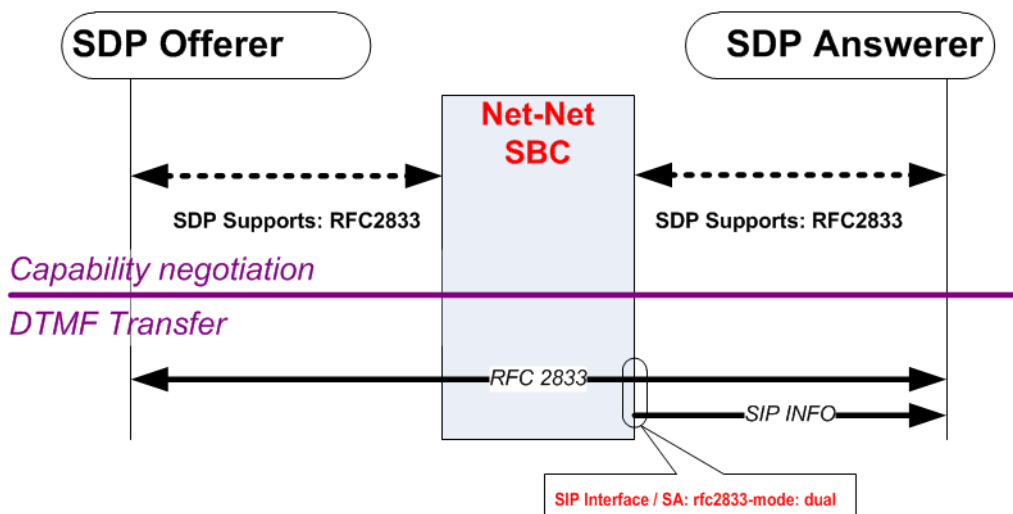
When the Oracle® Enterprise Session Border Controller forward both media DTMF indication and signaling based DTMF indication for the same received DTMF indication, a P-Dual-Info header is added to the forwarded signaling message. You can configure the appearance of the header with the **dual-info** option. The default header appearance is:

```
P-dual-info: true
```

P-Dual-Info headers are only inserted into SIP INFO messages.

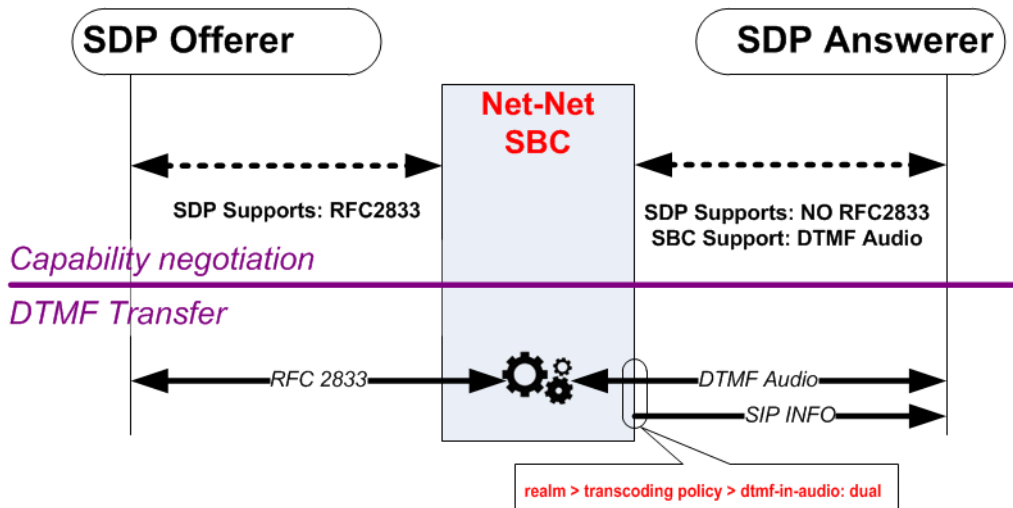
## Example 1

In this example, RFC 2833 is supported on the egress side of the call. The egress SIP interface or session agent's rfc2833-mode is set to dual mode. When the Oracle® Enterprise Session Border Controller forwards RFC 2833 to the SDP answerer, it also creates and forwards a corresponding SIP INFO message toward the target.



### Example 2

In this example RFC 2833 telephone-event is not supported on the egress side of the call, but DTMF audio tones are. If the Oracle® Enterprise Session Border Controller receives an RFC 2833 message, it is converted to DTMF audio tones. When the Oracle® Enterprise Session Border Controller forwards DTMF audio tones to the SDP answerer, it also creates and forwards a corresponding SIP INFO message toward the target.



## Identical Inband with Signaling DTMF Transfer Exception

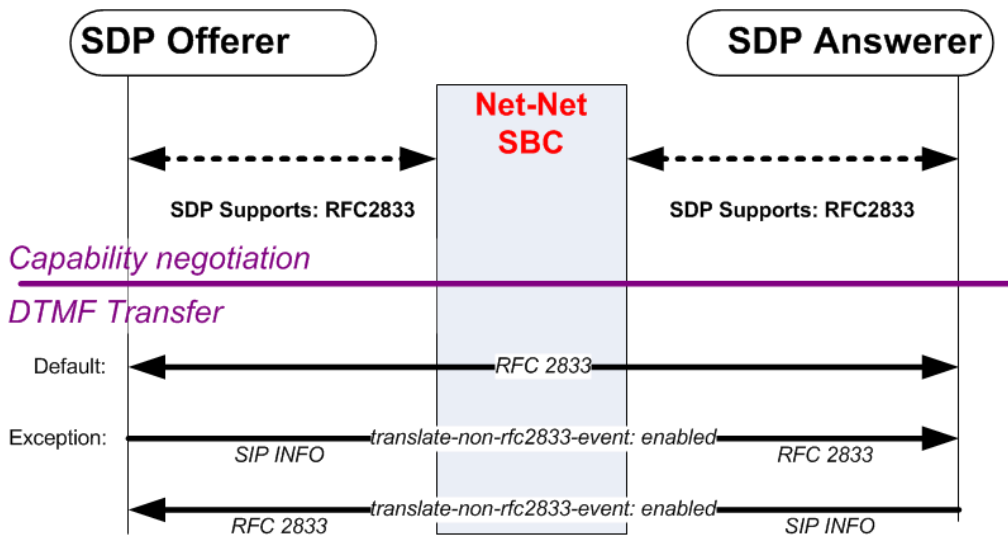
Endpoints may send signaling-based DTMF indication (SIP INFO) to the Oracle® Enterprise Session Border Controller at any time. Most of the time they are passed through the Oracle® Enterprise Session Border Controller unchanged. You can enable an exception to this behavior forcing signaling messages to either RFC 2833 or DTMF audio tones depending on the call's DTMF transfer mode. The two parameters to enable their respective exceptions are located in the media manager configuration.

**Note:**

These behavior exceptions are only applicable when both sides of the call support and prefer the same DTMF transfer mode.

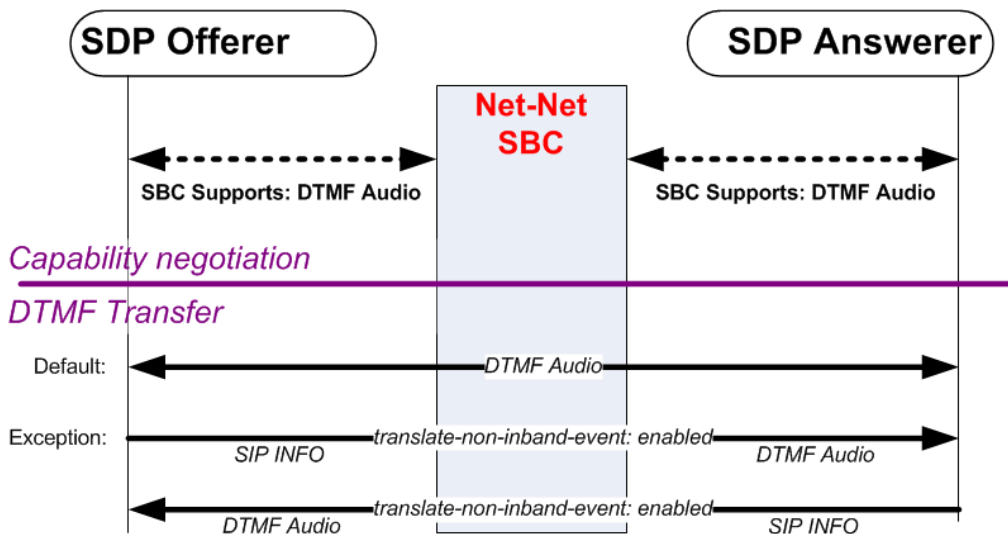
## Override Preferred RFC 2833

When RFC 2833 is supported on both sides of the call, it is the preferred method of DTMF indication transport. To override this behavior, enable the translate non rfc 2833 parameter.



## Override Preferred DTMF Audio

When DTMF audio tones are supported on both sides of the call, it is the preferred method of DTMF indication transport. To override this behavior, enable the translate non inband event parameter.



 **Note:**

Enabling one or both of these exceptions can cost DTMF translation resources whether they occur in the network processors or on transcoding modules. The translate-non-inband-event exception is especially costing because it reserves transcoding for all calls that resolve to support for DTMFable to DTMFable codecs.

## DTMF Transfer for Spiral Calls

A spiral call occurs when a call's signaling messages loop back through the Oracle® Enterprise Session Border Controller. Most commonly the signaling path is from one UA, through the Oracle® Enterprise Session Border Controller, to a call server, back through the Oracle® Enterprise Session Border Controller, to another UA. The media path is from one UA, through the Oracle® Enterprise Session Border Controller, to the other UA. For DTMF indication processing, only the call legs between the endpoints and Oracle® Enterprise Session Border Controller are considered.

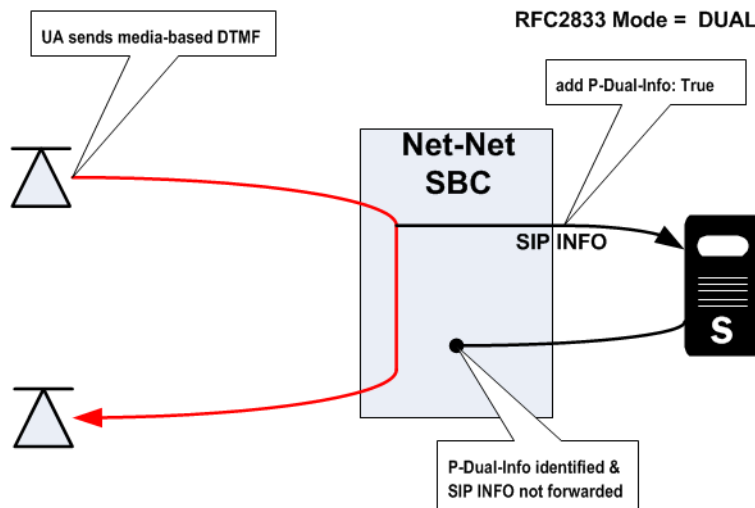
The Oracle® Enterprise Session Border Controller evaluates that the signaling path to and from the call server terminates on the same IP address and port on the Oracle® Enterprise Session Border Controller. This means that it's a spiral call. In addition, the media IP addresses and ports in the SDP indicate that the Oracle® Enterprise Session Border Controller does not need to send the media into the call server's realm.

An issue occurs when DTMF indication is relayed either by RFC 2833 or DTMF audio tones for a spiral call. Since the DTMF indication is in the media path, the call server remains unaware of the signaling; no media-based DTMF indication digits will ever reach the call server. In order to include the call server in the DTMF-indication signaling, you should set the dtmf-in-audio and/or rfc-2833 mode used for the realm or signaling interface where the call server is to dual.

## P-Dual-Info Header

The P-Dual-Info header is used in a spiral call scenario, when the call leg to (and from) the call server is set to dual. While the media portion of a spiral call goes from endpoint to endpoint through the Oracle® Enterprise Session Border Controller, the signaling portion of the call loops through a call server.

The Oracle® Enterprise Session Border Controller inserts a P-Dual-Info header into a SIP info message sent to the call server, which in turn forwards the SIP INFO message back to the Oracle® Enterprise Session Border Controller. Seeing the P-Dual-Info header, the Oracle® Enterprise Session Border Controller knows not to forward this SIP INFO message to the target endpoint because it would be a duplication of DTMF indication already sent to the endpoint in media format.



## DTMF Transfer Hardware Processing

DTMF transfer processing, the conversion between two DTMF transfer types, occurs in either the transcoding NIU's Digital Signal Processors (DSPs) or the Network Processors (NPs). Understanding where the processing takes place is important to determine which subsystem uses extra processing load per conversion.

There are a few rules you can use to determine which subsystem performs the DTMF transfer processing:

- If audio transcoding is enabled for the call, DTMF transfer processing occurs in the transcoding modules.
- If DTMF audio tones are generated from RFC 2833 or from signaling messages (SIP INFO), DTMF transfer processing occurs in the transcoding modules.
- If the global translate non inband event parameter is enabled, DTMF transfer processing occurs in the transcoding modules.
- If signaling to RFC 2833 processing occurs in either direction of the call, and the previous 3 conditions are not valid, DTMF transfer processing occurs in the NPs.

## DTMF Transfer Configuration

### RFC 2833 Session Agent Configuration

Session agents, used as a way to classify and act on a subset of a signaling interface's traffic, also have **rfc2833-mode** and **rfc2833-payload** parameters. The configurations of these parameters overrides the configuration of the same-named parameters on the signaling interface where the session agent resides. You can set the **rfc2833-mode** parameter to **none** for a session agent to revert to the parent signaling interface's two RFC 2833 settings.

## ACLI Configuration and Instructions

This section explains how to configure the RFC 2833 mode on a signaling interface and on a session agent configured for that signaling interface. The session agent's configuration takes precedence over the signaling interface, unless the session agent's `rfc2833-mode` is set to `none`. In that case, the signaling interface's configuration is used for applicable traffic.

### SIP Interface

To configure the RFC 2833 mode on a SIP interface:

1. In Superuser mode, type **configure terminal** and press Enter.

```
ORACLE# configure terminal
```

2. Type **session-router** and press Enter.

```
ORACLE(configure)# session-router
```

3. Type **sip-interface** and press Enter.

```
ORACLE(session-router)# sip-interface
```

4. If you are adding support for this feature to a pre-existing SIP interface, then you must select the specific configuration instance, using the ACLI **select** command.
5. **rfc2833-mode**—Set this parameter to either **transparent**, **preferred**, or **dual** based upon the behavior you want for this SIP interface.
  - **transparent**—does not add RFC 2833 telephone-event into SDP if not present, and does not prefer.
  - **preferred**—adds RFC 2833 telephone-event media type into SDP and prefers to use this method for DTMF indication.
  - **dual**—adds RFC 2833 telephone-event media type into SDP and sends both SDP and signaling-based DTMF indications if possible.
6. **rfc2833-payload**—Set this parameter to the media-type value you wish to use when inserting RFC 2833 telephone-events into an SDP offer. 101 is the generally accepted media type for RFC 2833 telephone-events.
7. Save and activate your configuration.

### Session Agent

Session agent RFC 2833 mode configurations override those on the signaling interface where they exist. The **none** parameter is used to defer to the signaling interface.

To configure the RFC 2833 mode on a session agent:

1. In Superuser mode, type **configure terminal** and press Enter.

```
ORACLE# configure terminal
```



2. Type **session-router** and press Enter to access the system-level configuration elements.

```
ORACLE(configure)# session-router
```

3. Type **session-agent** and press Enter. The system prompt changes to let you know that you can begin configuring individual parameters.

```
ORACLE(session-router)# session-agent  
ORACLE(session-agent)#
```

4. Select the session agent where you want this feature.

```
ORACLE(session-agent)# select 1
```

5. **rfc2833-mode**—Set this parameter to either **none**, **transparent**, **preferred**, or **dual** based upon the behavior you want for this SIP interface.
  - **none**—defaults to the behavior of the SIP interface for traffic that matches this session agent.
  - **transparent**—does not add RFC 2833 telephone-event into SDP if not present, and does not prefer.
  - **preferred**—adds RFC 2833 telephone-event media type into SDP and prefers to use this method for DTMF indication.
  - **dual**—adds RFC 2833 telephone-event media type into SDP and sends both SDP and signaling-based DTMF indications if possible.
6. **rfc2833-payload**—Set this parameter to the media-type value you wish to use when inserting RFC 2833 telephone-events into an SDP offer. 101 is the generally accepted media type for RFC 2833 telephone-events.
7. Save and activate your configuration.

## Codec Policy

To configure a codec policy to support DTMF audio tones, as transcoded:

1. In Superuser mode, type **configure terminal** and press Enter.

```
ORACLE# configure terminal
```

2. Type **media-manager** and press Enter.

```
configure# media-manager
```

3. Type **codec-policy** and press Enter.

```
ORACLE(media-manager)# codec-policy  
ORACLE(codec-policy)#
```

4. If you are adding support for this feature to a pre-existing configuration, then you must select the specific configuration instance, using the ACLI **select** command.

```
ORACLE(codec-policy)# select
<name>:
1: private
2: public
selection:1
ORACLE(codec-policy)#
```

5. **dtmf-in-audio**—Set this parameter to **disabled**, **preferred**, or **dual** based upon how the Oracle® Enterprise Session Border Controller should support the conversion of signaling messages or RFC 2833 to DTMF Audio tones in the realm where this codec policy is active.
  - **disabled**—does not support DTMF audio tones as transcoded in this realm.
  - **preferred**—supports DTMF audio tones as transcoded in this realm.
  - **dual**—supports both transcoded DTMF audio tones and signaling-based DTMF indications if possible.
6. Save and activate your configuration.

## Translate Non2833 Event Behavior

To configure the exceptional behavior:

1. In Superuser mode, type **configure terminal** and press Enter.

```
ORACLE# configure terminal
```

2. Type **media-manager** and press Enter to access the media-level configuration elements.

```
ORACLE(configure)# media-manager
ORACLE(media-manager)#
```

3. Type **media-manager** and press Enter to begin configuring this feature.

```
ORACLE(media-manager)# media-manager
ORACLE(media-manager-config)#
```

4. **translate-non-rfc2833-event**—Set this parameter to enabled to use non-default behavior described in Override Preferred RFC 2833.
5. **translate-non-inband-event**—Set this parameter to enabled to use non-default behavior described in Override Preferred DTMF Audio.
6. Save and activate your configuration.

## P-dual-info Header Appearance

Customizing the P-Dual-Info header is performed globally from the sip config.

To configure how the P-dual-info header appears:

1. In Superuser mode, type **configure terminal** and press Enter.

```
ORACLE# configure terminal
```

2. Type **session-router** and press Enter to access the system-level configuration elements.

```
ORACLE(configure)# session-router
```

3. Type **sip-config** and press Enter. The system prompt changes to let you know that you can begin configuring individual parameters.

```
ORACLE(session-router)# sip-config  
ORACLE(sip-config)#
```

4. Type options followed by a Space.
5. After the Space, type the P-Dual-Info header information in the following format:

```
+dual-info=" <header-name>"
```

For example:

```
ORACLE(sip-config)# options dual-info=P-Dual-Info
```

6. Save your work using the ACLI **done** command.

## RFC 2833 Customization

### RTP Timestamp

As a media flow with injected RFC 2833 telephone-event packets exits the Oracle® Enterprise Session Border Controller, the newly generated RTP packets are timestamped in one of two ways. If RFC 2833 generation is preformed in the NPs, the default method of creating the timestamp for a generated RFC 2833 packet is to use the previous RTP packet's timestamp and add 1.

Alternatively, the Oracle® Enterprise Session Border Controller can estimate the actual time that the injected RFC 2833 telephone-event packet will leave the system and use that. This method tags the injected DTMF indication packet more accurately than the than previous packet + 1 method. As an additional bonus, the packet's checksum is regenerated. This alternate timestamp creation behavior is configured by setting the **rfc2833-timestamp** parameter to enabled.

When RFC 2833 telephone-event generation is preformed by the transcoding modules, the packets' timestamps are the set to the time that the packets leave the Oracle® Enterprise Session Border Controller,.

### RFC 2833 telephone-event duration intervals

If an incoming SIP INFO message's DTMF indication duration is unspecified, the Oracle® Enterprise Session Border Controller, uses a default 250 ms duration for the generated RFC 2833 telephone-event. Otherwise, the SIP INFO's specified event

duration is used. RFC 2833 telephone-event packets are still generated at 50 ms intervals upon egress. At the conclusion of the DTMF indication, the three end-event packets are sent. The packet arrangement when the user presses the digit 5 for 160ms, with the default 50ms interval follows:

1. RFC2833 packet 1, digit: 5, duration 50 ms
2. RFC2833 packet 2, digit: 5, duration 100 ms
3. RFC2833 packet 3, digit: 5, duration 150 ms
4. RFC2833 packet 4 (end packet), digit: 5, duration 160 ms
5. RFC2833 packet 5 (end packet), digit: 5, duration 160 ms
6. RFC2833 packet 6 (end packet), digit: 5, duration 160 ms

When either no DTMF event duration is specified, or the event duration is less than the 50ms default minimum, you can set the default RFC 2833 telephone-event duration using **default-2833-duration** parameter in the media manager configuration. This is the value that the Oracle® Enterprise Session Border Controller, uses for the duration of a telephone event when none is specified in the incoming message. The **default-2833-duration**'s valid range is 50-5000ms. The Oracle® Enterprise Session Border Controller, also uses this configured value when it receives a SIP INFO message with a duration less than the minimum signal duration.

You can configure the minimum duration at which RFC 2833 telephone-events are generated by the Oracle® Enterprise Session Border Controller, using the **min-signal-duration** option in the media manager configuration, thus changing the lower threshold of the **default-2833-duration** parameter from 50 ms to your own value. If the duration the Oracle® Enterprise Session Border Controller, receives is less than the threshold, it uses the value configured in the **default-2833-duration** parameter.

 **Note:**

Timestamp changes and duration changes only take effect when the 2833 timestamp (`rfc-2833-timestamp`) is enabled in the media manager configuration. If you enable the `rfc-2833-timestamp` parameter, but do not configure the `default-2833-duration` parameter, the `default-2833-duration` parameter defaults to 100 ms.

## RFC 2833 End Packets

When the Oracle® Enterprise Session Border Controller, generates RFC 2833 telephone-event packets, they are forwarded from the egress interface every 50 ms by default. Each packet includes the digit and the running total of time the digit is held. Thus DTMF digits and events are sent incrementally to avoid having the receiver wait for the completion of the event.

At the conclusion of the signaled event, three end packets stating the total event time are sent. This redundancy compensates for RTP being an unreliable transport protocol.

You can configure your Oracle® Enterprise Session Border Controller, to generate either the entire start-interim-end RFC 2833 packet sequence or only the last three end 2833 packets for non-signaled digit events using the **rfc2833-end-pkts-only-for-**

**non-sig** parameter. If the parameter were enabled, the RFC 2833 telephone-event packets for the same event would appear as follows:

1. RFC2833 packet 1 (end packet), digit: 5, duration: 160 ms
2. RFC2833 packet 2 (end packet), digit: 5, duration: 160 ms
3. RFC2833 packet 3 (end packet), digit: 5, duration: 160 ms

## ACLI Instructions and Examples

To configure RFC 2833 customization:

1. In Superuser mode, type **configure terminal** and press Enter.

```
ORACLE# configure terminal
```

2. Type **media-manager** and press Enter to access the media-level configuration elements.

```
ORACLE(configure)# media-manager
```

```
ORACLE(media-manager)#
```

3. Type **media-manager** and press Enter to begin configuring this feature.

```
ORACLE(media-manager)# media-manager
```

```
ORACLE(media-manager-config)#
```

4. **rfc2833-timestamp**—Set this parameter to enabled to use the estimated real departure timestamp on an injected RFC 2833 telephone-event packet.
5. **default-2833-duration**—Set this parameter to the default value you wish to use when the Oracle® Enterprise Session Border Controller, creates or generates DTMF-indication messages.
6. **rfc2833-end-pkts-only-for-non-sig**—Set this parameter to enabled for the Oracle® Enterprise Session Border Controller, to only send the three RFC 2833 telephone-event end-packets to indicate a total event duration, rather than the running total from time=0.
7. **options**—Set the options parameter by typing **options**, a Space, the option name **min-signal-duration=x** (where **x** is the value in milliseconds you want to use for the threshold) with a plus sign in front of it. Then press Enter.
8. Save and activate your configuration.

# Personal Profile Manager

## Introduction

The Oracle® Enterprise Session Border Controller (E-SBC) includes a Personal Profile Manager (PPM) proxy feature. PPM is a web service that runs as part of Avaya Aura Session Manager and Aura System Manager. Local and remote SIP clients may download configuration data from the PPM proxy using SOAP messages over HTTP or HTTPS, enabling soft keys to be customized and contact lists to be loaded. Unfortunately, in enterprise networks certain messages may refer to private IP addresses, which are not routable from remote clients. Acme Packet incorporates an application proxy in the E-SBC for such messages, replacing the internal IP addresses with the E-SBC external SIP interface IP address.

The PPM proxy supports incoming messages over HTTP and HTTPS on a configurable IP address / port. If using HTTPS, the PPM proxy uses a selectable server certificate for Transport Layer Security (TLS).

Remote clients accessing the PPM proxy are authenticated by HTTP digest authentication, using their SIP credentials. The PPM proxy forwards such challenges and responses transparently to the PPM web service for which it is configured.

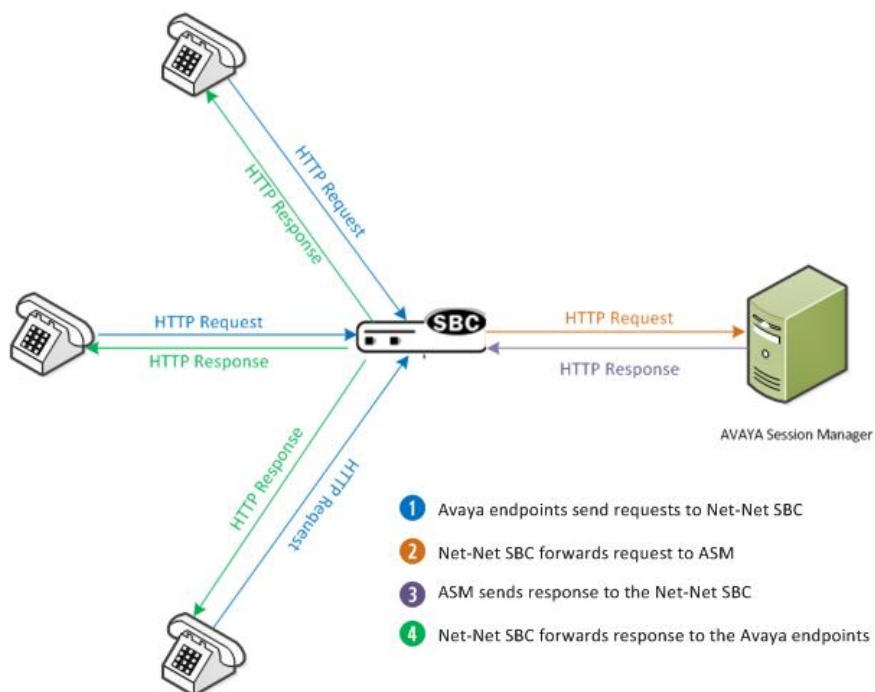
Since the PPM proxy could potentially be a target of a denial-of-service (DoS) attack, the E-SBC allows you to set DoS rules to protect the proxy port as part of standard configurations. For configuring DoS on the E-SBC, see the chapter on security.

## The ESBC as an ALG for HTTP and HTTPS

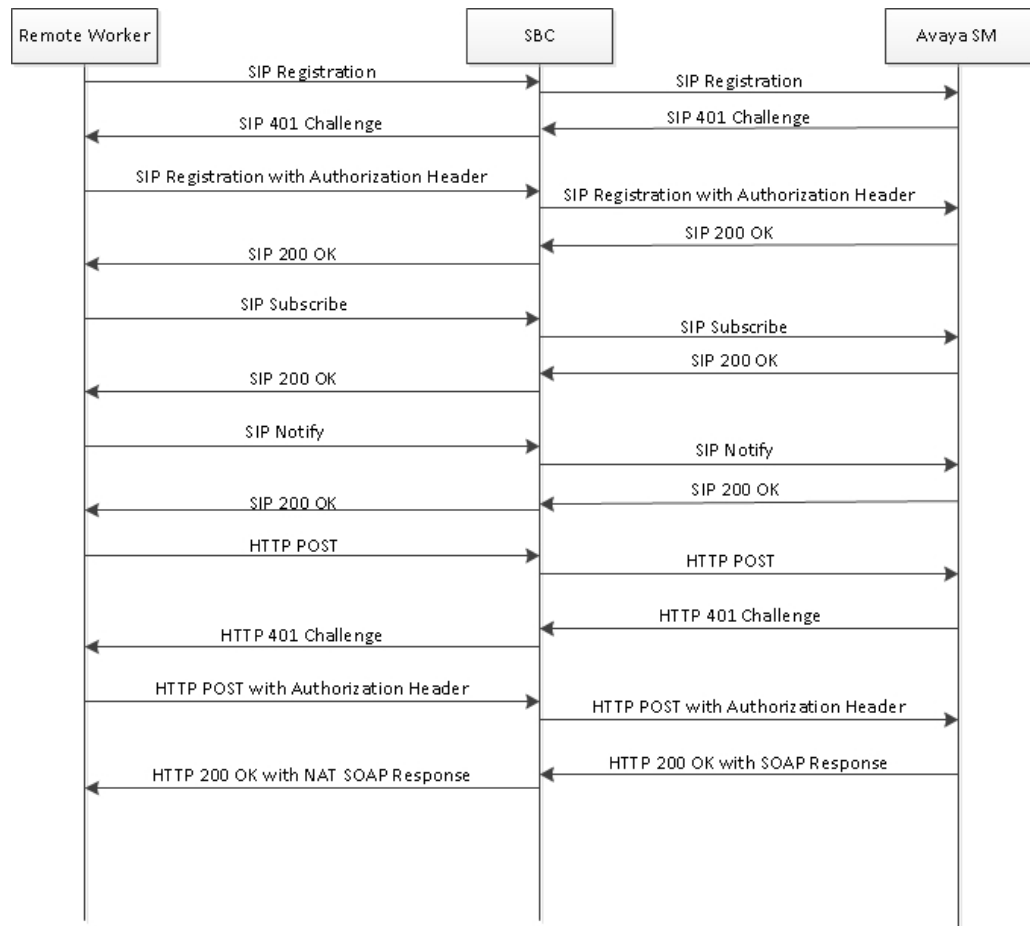
The Oracle® Enterprise Session Border Controller (E-SBC) functions as an HTTP Application Layer Gateway (ALG) for HTTP/HTTPS traffic that originates on Avaya endpoints and terminates on the Avaya Session Manager (ASM) as follows:

1. The E-SBC receives HTTP requests from Avaya endpoints on a user-configurable IP address and port.
2. The E-SBC forwards the requests to a user-configurable destination, which is the IP address and port of the ASM.
3. The ASM sends the response to the HTTP request to the E-SBC. The E-SBC parses the HTTP response and searches for `getHomeServerResponse` and `getHomeCapabilitiesResponse` messages. If the `getHomeServerResponse` message is found, the E-SBC replaces any text between the `<PpmServer>` or `<SipServer>` tags with the IP address of the public interface on which the HTTP-ALG is configured. If the `getHomeCapabilitiesResponse` is found, the E-SBC replaces any text contained between the `<ServiceURI>` tags with the IP address of the public interface on which the HTTP-ALG is configured.

4. After the E-SBC processes the response, it forwards the response to the originating Avaya endpoint. The following illustration shows how the E-SBC sends and receives HTTP requests and responses to the Avaya Session Manager.



The following is the call flow that occurs as the HTTP/HTTPS requests and responses are passed between the Avaya endpoints, the E-SBC, and the ASM.



## Configuring the PPM Proxy on the E-SBC

To configure the PPM proxy on the Oracle® Enterprise Session Border Controller (E-SBC), you use the **http-alg** object under session-router, and the **http-alg-private** or **http-alg-public** settings. Use the following procedure to configure the PPM proxy on the E-SBC.

1. In Superuser mode, type **configure terminal** and press Enter.

```
ACMEPACKET# configure terminal
ACMEPACKET(configure)#
```

2. Type **session-router** and press Enter.

```
ACMEPACKET(configure)# session-router
ACMEPACKET(session-router)#
```

3. Type **http-alg** and press Enter.

```
ACMEPACKET(session-router)# http-alg
ACMEPACKET(http-alg)#
```



4. **name**—Enter the name (unique identifier) of the HTTP proxy. Valid values are alpha-numeric characters. Default is blank.
5. **state**—Enter the operational status of the HTTP proxy. Valid values are:
  - **enabled** - (default) Enables the HTTP proxy.
  - **disabled** - Disables the HTTP proxy.
6. **description**—Enter a description of the HTTP proxy. Valid values are alpha-numeric characters. Default is blank.
7. **private**—Allows you to configure a private/core-side interface (inside the network) for forwarding the incoming HTTP SOAP Requests received from the public side.
8. **public**—Allows you to configure a public-side interface (outside the network) to receive incoming HTTP SOAP Requests from the remote worker.

## Configure Private Settings

To set a private setting on the NOracle® Enterprise Session Border Controller (E-SBC):

1. Type **http-*alg-private*** and press Enter.

```
ACMEPACKET(http-alg)# http-alg-private  
ACMEPACKET(http-alg-private)#
```

The private /core side is used to communicate with the Avaya Session Manager (ASM) and forward the incoming HTTP SOAP Requests received from the public side (from outside the network). You define the IP address, port, and TLS certificate used in establishing communication with the ASM by setting this **http-*alg-private*** attribute.

2. **realm-id**—Name of the realm that the E-SBC uses to proxy the HTTP request. Valid values are alpha-numeric characters. Default is blank.
3. **address**—IPv4 or IPv6 IP address from which the E-SBC forwards the incoming HTTP request. Valid values must be in the format of 0.0.0.0. Default is blank.
4. **destination-address**—IPv4 or IPv6 IP address of the destination server to which the HTTP request is forwarded. Valid values must be in the format of 0.0.0.0. Default is blank.
5. **destination-port**—Port on which the destination server is listening for HTTP traffic. Valid values are 1 to 65535. Default is 80.
6. **tls-profile**—The TLS profile used to establish a secure connection with the destination server. Setting this attribute enables HTTP proxy to listen for HTTPS traffic. Valid values are alpha-numeric characters. Default is blank.
7. Type **done**, and press Enter.

```
ACMEPACKET(http-alg-private)# done  
ACMEPACKET(http-alg-private)#
```

8. Type **exit** and press Enter.

```
ACMEPACKET(http-alg-private)# exit  
ACMEPACKET(http-alg)#
```

9. Type **exit** and press Enter.

```
ACMEPACKET(http-alg)# exit  
ACMEPACKET(session-router)#
```

10. Save the configuration.

## Configure Public Settings

To set a public setting on the Oracle® Enterprise Session Border Controller (E-SBC):

1. Type **http-alg-public** and press Enter.

```
ACMEPACKET(http-alg)# http-alg-public  
ACMEPACKET(http-alg-public)#
```

The public side (outside the network) is used to receive incoming HTTP SOAP Requests from the remote worker. You define the IP address, port, and TLS certificate used to establish a connection with the remote worker by setting this **http-alg-public** attribute.

2. **realm-id**—Name of the realm that the E-SBC uses to listen for the HTTP request. Valid values are alpha-numeric characters. Default is blank.
3. **address**—IPv4 or IPv6 IP address on which the E-SBC is listening for HTTP traffic. Valid values must be in the format of 0.0.0.0. Default is blank.
4. **port**—Port on which the E-SBC is listening for HTTP traffic. Valid values are 1 to 65535. Default is 80.
5. **tls-profile**—The TLS profile used to establish a secure connection with the remote worker. Setting this attribute enables HTTP proxy to listen for HTTPS traffic. Valid values are alpha-numeric characters. Default is blank.
6. Type **done** and press Enter.

```
ACMEPACKET(http-alg-public)# done  
ACMEPACKET(http-alg-public)#
```

7. Type **exit** and press Enter.

```
ACMEPACKET(http-alg-public)# exit  
ACMEPACKET(http-alg)#
```

8. Type **exit** and press Enter.

```
ACMEPACKET(http-alg)# exit  
ACMEPACKET(session-router)#
```

9. Save the configuration.

## PPM XML Mapping to ACLI Parameters

Each of the PPM parameters in the ACLI map to specific XML tags. The following table provides the XML/ACLI parameter mapping.

Parameter Name	XML Tag
http-alg	httpAlg
name	name
state	state
description	description
http-alg-private	httpAlgPrivate
realm-id	RealmID
address	address
destination-address	destination-address
destination-port	destination-port
tls-profile	tlsProfile
http-alg-public	httpAlgPublic
realm-id	RealmID
address	address
port	port
tls-profile	tlsProfile

## Example PPM Proxy Configuration

The following is an example of a the PPM proxy configuration with private enabled.

```
session-router# show
  http-alg
    name                Avaya
    state               enabled
    description         Avaya Proxy
  http-alg-private
    realm-id            realmA
    address             172.45.6.7
    destination-address 123.456.78.1
    destination-port    80
    tls-profile         tls1
  http-alg-public
    realm-id
    address
    port
    tls-profile
```

# Remote Site Survivability

## Remote Site Survivability

Release E-C[xz]6.4.0 M2 includes a new feature called Remote Site Survivability. This feature is the Oracle® Enterprise Session Border Controller's ability of a Remote Office/Branch Office (ROBO) to detect the loss of communication over SIP-based telephony, to the Enterprise's core call processing Data Center. When loss of communication is detected over the SIP service, the ROBO Oracle® Enterprise Session Border Controller dynamically switches into Survivable Mode, locally handling call processing and providing limited additional server functionality.

 **Note:**

Remote Site Survivability supports SIP only. It does not support the H.323.

The following are features of Remote Site Survivability:

- Works with or without High Availability (HA) operation.
- Configurable in real-time - no reboot required to enable this feature.
- Allows configuration of the feature via the Oracle® Enterprise Session Border Controller Web GUI
- Maintains Historical Recording (HDR) statistics about being in survivability mode, such as:  
Whether or not the Oracle® Enterprise Session Border Controller is in survivable mode using the ACLI command, show health.

Length of time the Oracle® Enterprise Session Border Controller was in survivable mode (records number of times and amount of time in survivability mode)

Number of SIP messages handled in survivable mode

Number of SIP users registered locally in survivable mode (both existing based on cache, and separately - new registrations).

## How it Works

When configured for Survivability, the Oracle® Enterprise Session Border Controller (E-SBC) operates in either normal or survival mode. In normal mode, the IP wide area network (WAN) connection between the remote E-SBC and the data center headquarters site is operational, and endpoints at the remote site register through the SBCs to an IP-PBX or Application Server (AS) at headquarters. Similarly, the E-SBC forwards calls between endpoints to the IP-PBX or AS at headquarters. When an endpoint registers, the E-SBC inserts a registration entry for the endpoint in its local registration cache.

When the IP connection to headquarters goes down, the Oracle® Enterprise Session Border Controller operates in survival mode. In this mode, the system is able to detect any loss of connection (and subsequent re-connection) to the core data center based on a health score. When it detects a loss of connection, it enters survival mode and locally processes registrations and session traffic without routing them to the registrar. The E-SBC also handles call routing in this mode. When a subsequent re-connection is detected, the system exits survival mode and proxies all registrations and session traffic once again to the data center (normal mode).

In "Survival Mode", the ROBO E-SBC provides the following capabilities:

- Maintains SIP registrations for local SIP phones (based on existing registration cache).
- Provides local extension-to-extension calling and incoming public switched telephone network (PSTN), if available, to local extension dialing.
- Provides extension-to-PSTN calling through a media gateway (assuming a gateway is available) or alternatively, via a configured SIP trunk/route.
- Allows all new registration requests (without authentication) to be successful.
- Allows extensions to be dialed based on its multiple user identities (either identified by using P-Asserted-Identity or BroadSoft's proprietary mechanism).

### Survivability Health Score

When Survivability Mode is enabled on the E-SBC, the system is able to detect any loss of connection (and subsequent re-connection) to the Enterprise's core data center based on a health score.

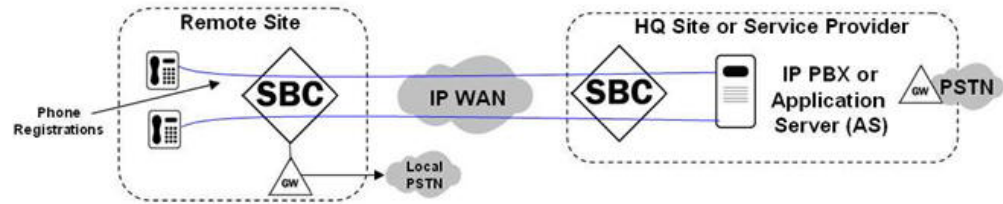
For the purpose of health monitoring, a sip-interface and one or more attached session agents can be logically grouped together by configuring a "**service-tag**" parameter to indicate the name of the session agent group. The service health score of the group is based upon the health status of the session agents within the group and can be configured using the session-agent-health parameter. The session-agent-health score can be a value between 0 and 100.

The determination of when to enter survival mode is determined by the session agent health score. The session-agent-health value is the amount that is deducted from the service health score when the session agent goes out of service. The sum of the service health values of all session agents assigned to a specific service tag must equal 100 to stay in normal mode. In cases where there is one session agent, the service health value is 100. For cases where there are two session agents, each session agent could have a service health of 50.

When the service health score goes down to zero the E-SBC enters survival mode. While in survival mode, the Oracle® Enterprise Session Border Controller continuously attempts to re-establish communications with the session agents. If communication is re-established, the E-SBC adds the service agent health value of the session agent to the current service health score, and survival mode is exited if the service health score is above zero.

## Normal Behavior Call Process

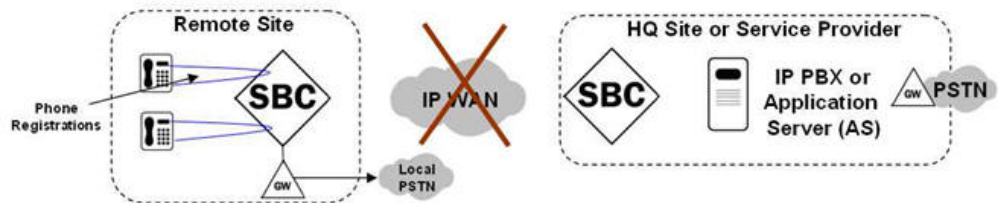
The following illustration shows the normal call process behavior of the ROBO Oracle® Enterprise Session Border Controller connectivity to the Service Provider site (or headquarters site).



1. Phones register through the Oracle® Enterprise Session Border Controller to the IP PBX or Application Server (AS) at the Headquarters or Service Provider site.
2. Phone-to-phone calls are proxied through the Oracle® Enterprise Session Border Controllers to the IP PBX or AS at the Headquarters or Service Provider site.
3. Phone-to-Public Switched Telephone Network (PSTN) calls are routed to the Headquarters or Service Provider site, or sent out a local PSTN gateway.

## Remote Survivable Call Process Behavior

The following illustration shows the remote survivable call process behavior of the ROBO Oracle® Enterprise Session Border Controller (E-SBC) when connectivity fails to the Service Provider site (or headquarters site).



1. Phones register directly on remote site E-SBC.
2. Phone-to-phone calls are proxied directly on remote site E-SBC.
3. Phone-to-PSTN calls are routed by remote site E-SBC to local PSTN gateway.

## Entering Survivable Mode

### Registration Behavior

When the Oracle® Enterprise Session Border Controller enters Survivable Mode, it performs as follows for **registrations**:

**For endpoints already Registered...**

the Oracle® Enterprise Session Border Controller acts as the registrar of the local SIP phones by providing 200 OK responses to subsequent REGISTER refresh messages from endpoints in the Oracle® Enterprise Session Border Controller's reg-cache for the duration of Survivable mode. This presumes that "registration-caching" has been enabled in the Oracle® Enterprise Session Border Controller onfiguration.

the Oracle® Enterprise Session Border Controller lowers the "reg-expires" value to 30 seconds by default for all Registration Requests between the endpoints and the Oracle® Enterprise Session Border Controller.

**For new Registration requests... (either new endpoints or endpoints whose registration expires when in Survivable Mode)**

the Oracle® Enterprise Session Border Controller allows the new Registrations to be successful (without providing Authentication), incorporating them into the Oracle® Enterprise Session Border Controller registration cache.

the Oracle® Enterprise Session Border Controller lowers the "reg-expires" value to 30 seconds by default for all Registration Requests between the endpoints and the Oracle® Enterprise Session Border Controller.

In Survivable Mode, the Oracle® Enterprise Session Border Controller routes incoming INVITEs based on the lookup from the registration cache. If the entry is part of the registration cache, the INVITEs are routed depending on the contact information from the cache. If the entry is not part of the registration cache, local policy is used if there is any local policy configured on the Oracle® Enterprise Session Border Controller. The prefix length in the Survivability configuration is taken into consideration when creating the extension for the phone number in the registration cache.

**Call Processing Behavior**

After the Oracle® Enterprise Session Border Controller enters Survivable Mode, it performs as follows for call processing:

- Allows incoming sessions (either from an endpoint or an external PSTN gateway or alternate trunk) to be processed locally, based on its Registration cache.
- Locally handles multiple identities based on the registered P-Preferred-Identity (or via BroadSoft's proprietary mechanism).
- For session requests coming from local endpoint destined to non-local destinations, it routes to alternate PSTN gateways or SIP trunks, if configured.
- It performs registration cache (reg-cache) matching based on substrings of the received dialed digits (for example, a phone registers as sip:7813284545@acmepacket.com and a local user dials sip:4545@acmepacket.com).

 **Note:**

The Oracle® Enterprise Session Border Controller allows extensions to be dialed based on it's multiple user identities (identified either by using P-Asserted-Identity or BroadSoft's proprietary mechanism.) For more information about Survivability when using the BroadSoft server, see [Remote Site Survivability with a BroadSoft Server](#)

## Exiting Survivable Mode

### Registration Behavior

When the Remote Oracle® Enterprise Session Border Controller (E-SBC) exits Survivable Mode, it performs as follows for registrations:

- It forwards all registration requests (new or refreshes) to the core data center (or headquarters) site. **Note:** All endpoints in the registration cache associated with that Registrar are invalidated.
- "The "expires" value is no longer set to 30 seconds by default. It takes the corresponding registration-refresh value based on the E-SBC configuration.

 **Note:**

When the E-SBC is in Normal Mode, it routes the incoming INVITEs to the registrar if the endpoint is part of the registration cache. If the endpoint is not part of the registration cache, the INVITEs are routed using the local policy if the local policy is configured on the E-SBC. Otherwise, a 404 Not Found is returned.

### Call Processing Behavior

When the Remote E-SBC exits Survivable Mode, it performs as follows for Call Processing:

- It allows incoming sessions to be sent to the core data center (or headquarters) site for processing.
- Existing sessions remain connected until a user ends the session.

## Remote Site Survivability with a BroadSoft Server

The Remote Site Survivability feature can be enabled on a Oracle® Enterprise Session Border Controller to work in a network with a BroadSoft server by installing the Survivability Session Plug-in Language (SPL) on the Oracle® Enterprise Session Border Controller called BroadsoftSurvivability.spl.

In this network configuration, the Oracle® Enterprise Session Border Controller advertises Directory Numbers (DNs), extensions, and other aliases (in XML format) in the 200 OK response to the Registrar. When the Oracle® Enterprise Session Border Controller enters Survivability mode, an indication is sent to the BroadSoft server (as an XML object) in the 200 OK response in the REGISTER or SUBSCRIBE message. The Oracle® Enterprise Session Border Controller then sends originations to all Shared Call Appearance (SCA) destinations via the BroadSoft server.

The following illustration shows the IP Phone sending a Register message through the Oracle® Enterprise Session Border Controller to the BroadSoft server, and a 200 OK response returned from the BroadSoft server (containing the applicable XML info) through the Oracle® Enterprise Session Border Controller to the IP Phone.





In the event that the BroadSoft server is unavailable, the Oracle® Enterprise Session Border Controller creates a location mapping entry, linking the parsed information (DNs, extensions, and aliases) to the location cache entry's Address of Record (AOR). This allows users to dial by extension even if the BroadSoft server is unavailable.

## Remote Site Survivability Configuration

You must enable remote site survivability on the Oracle® Enterprise Session Border Controller (E-SBC) and set the ping method for the session agent before the E-SBC can perform remote site survivability operations.

The process for configuring remote site survivability includes the following procedures.

1. Enable remote site survivability mode on the E-SBC.
2. Configure a ping method for the session agent to use to determine when the E-SBC is not responding.



### Note:

The system does not require a reboot after activating or modifying remote site survivability.

## Configure Remote Site Survivability

You must enable remote site survivability on the Oracle® Enterprise Session Border Controller (E-SBC) and set the parameters before the system can enter and exit survival mode.

### Prerequisites

- Confirm that at least one session agent is configured.

To enable remote site survivability from the ACLI command line, do the following :

1. From the ACLI command line, access the **survivability** object, and press Enter.

```
ORACLE(session-router)# survivability
ORACLE(survivability)#
```

2. **state.** Type **enabled**, and press ENTER.
3. **reg-expires.** Type a value for the number of seconds that the Oracle® Enterprise Session Border Controller waits before entering the remote site survivability mode, and press ENTER.
4. **prefix-length.** Type the maximum number of digits allowed for a phone extension, and press ENTER. Valid values are 0-10.

5. **session-agent hostname.** Type the session agent hostname or the session agent group name, and press ENTER.
6. Type **done**, and press Enter.
7. Type **exit**, and press Enter.
8. Save the configuration.

Post-requisites

- Configure a ping method for the session agent to use to determine when the E-SBC is not responding.

## Configure the Ping Method for a Session Agent

Configure a ping method to confirm that the session agent is in service.

Use the session-agent object to configure the ping-method for a session-agent.

1. Access the **session-agent** object.

```
ORACLE(session-router)# session-agent
ORACLE(session-agent)#
```

2. **ping-method**—Type the SIP message/method to use to ping a session agent. Oracle recommends setting this value to OPTIONS.
3. **ping-interval**—Type the number of seconds between pings. The range is from 0-4294967295.
4. Type **exit**, and press Enter.
5. Save the configuration.

## Show Survivability Command

The show survivability command displays active and total statistics about the performance of Survivability mode over a period of time and for overall lifetime. This display also provides statistics related to SIP media events that occur while the Oracle® Enterprise Session Border Controller is in Survivability mode.

### Note:

The statistics that display in the output for this command are also used in the Historical Data Recording (HDR) statistics for Survivability. For more information about HDR for Survivability, see [Historical Data Recording \(HDR\) for Survivability](#).

The following example shows the output for the show survivability command.

### Example

```
ORACLE# show survivability
12:44:48-109
SIP Status          -- Period -- ----- Lifetime -----
                   Active  High  Total    Total  PerMax  High
```

Sessions	0	0	0	0	0	0
Subscriptions	0	0	0	0	0	0
Dialogs	0	0	0	0	0	0
CallID Map	0	0	0	0	0	0
Rejections	-	-	0	0	0	
ReINVITEs	-	-	0	0	0	
ReINV Suppress	-	-	0	0	0	
Media Sessions	0	0	0	0	0	0
Media Pending	0	0	0	0	0	0
Client Trans	1	1	1	718	2	1
Server Trans	0	0	0	0	0	0
Resp Contexts	0	0	0	0	0	0
Saved Contexts	0	0	0	0	0	0
Sockets	2	2	0	2	2	2
Req Dropped	-	-	0	0	0	
DNS Trans	0	0	0	0	0	0
DNS Sockets	0	0	0	0	0	0
DNS Results	0	0	0	0	0	0
Rejected Msgs	0	0	0	0	0	0

If Survivability mode was never initiated, the output shows values of zero (0) in all columns.

### Output

The following table provides a description of this output.

Event	Description
Sessions	Number of sessions established by INVITE and SUBSCRIBE messages during Survivability.
Subscriptions	Number of sessions established by SUBSCRIPTION during Survivability.
Dialogs	Number of end-to-end SIP signaling connections during Survivability.
CallID Map	Number of successful session header Call ID mappings during Survivability.
Rejections	Number of rejected INVITEs during Survivability.
ReINVITEs	Number of ReINVITEs during Survivability.
ReINV Suppress	Number of ReINVITEs that were suppressed during Survivability.
Media Sessions	Number of successful media sessions during Survivability.
Media Pending	Number of media sessions waiting to be established during Survivability.
Client Trans	Number of client transactions during Survivability.
Server Trans	Number of server transactions that have taken place on the Oracle® Enterprise Session Border Controller during Survivability.
Resp Contexts	Number of response contexts during Survivability.
Saved Contexts	Number of saved contexts during Survivability.
Sockets	Number of SIP sockets during Survivability.
Req Dropped	Number of dropped requests during Survivability.
DNS Trans	Number of Domain Name System (DNS) transactions during Survivability.

Event	Description
DNS Sockets	Number of Domain Name System (DNS) sockets during Survivability.
DNS Results	Number of Domain Name System (DNS) results during Survivability.
Rejected Msgs	Number of rejected messages during Survivability.

## Show Command for Survivability Status

The show survivability status command allows you to display the current status of Survivability mode on the Oracle® Enterprise Session Border Controller (E-SBC). This command displays whether or not Survivability mode is enabled on an interface, and the date and time that Survivability mode was enabled.

The following is an example output of the show survivability status command.

### Example

```
ORACLE# show survivability status
Survivability
sip-interface  service-tag  state          start time    end time
-----
net192        test         enabled        Aug 15 12:53:01 -
net172        none        n/a           n/a          n/a
```

The following table describes the output for the above command.

Column	Description
sip-interface	Interface currently configured on the E-SBC.
service-tag	Service tag that indicates the Session Agent Group (SAG) assigned to the interface on the E-SBC.
state	Current Survivability state on the interface. Valid values are: enabled - Survivability is enabled on the interface disabled - Survivability is disabled on the interface n/a - Survivability does not configured on this interface.
start time	The date (MM:DD) and time (HH:MM:SS) that Survivability Mode became in-service on the interface.
end time	The date (MM:DD) and time (HH:MM:SS) that Survivability Mode became out-of-service on the interface. A - indicates that Survivability Mode is currently in-service and has not yet ended.

You can also display the current status of Survivability mode on a specific interface using the command, show survivability status <interface> where <interface> is the SIP interface name.

The following is an example output of the show survivability status <interface> command.

```
ORACLE# show survivability status net192
Survivability
sip-interface  service-tag  state          start time    end time
```

---

```
net192          test          enabled          Aug 15 12:53:01  -
```

## Show Commands for Survivability

The Oracle® Enterprise Session Border Controller allows you to use specific show commands to display statistical data about Survivability mode. Survivability mode data consists of Session Initiation Protocol (SIP) Request method statistics. You can initiate the show commands whether or not the Oracle® Enterprise Session Border Controller is in Survivability mode. However, if you initiate the commands when the Oracle® Enterprise Session Border Controller is in Normal mode, and Survivability mode was never initiated, the statistics display as zero (0).

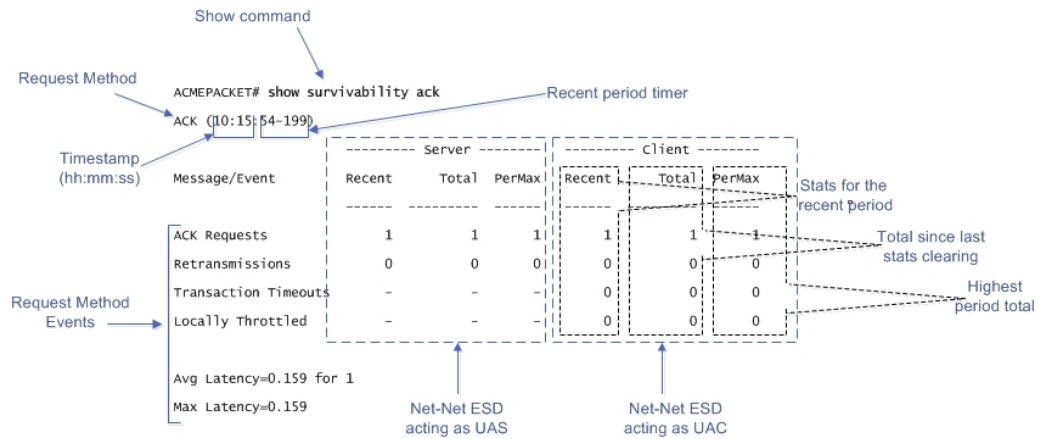
This section describes the various show CLI commands you can use to display statistics about the performance of Survivability on the Oracle® Enterprise Session Border Controller.

## Show Commands for Request Methods

The show survivability<method\_name> command for SIP Request methods allow you to display specific statistical information about Request events that pass between the User Agent Server (UAS) and User Agent Client (UAC). Specific Request methods include:

SIP Request Method	Description
INVITE	Method used to request a session.
REGISTER	Method used to register the client with the server according to the address in the To header field.
BYE	Method used to terminate an established media session.
ACK	Method is used to acknowledge final responses to INVITE requests.
CANCEL	Method is used to terminate pending requests.
OPTIONS	Method used to query a user agent or server about its capabilities and discover its current availability.
REFER	Method used by a user agent to request another user agent to access a URI or URL resource.
SUBSCRIBE	Method used by a user agent to subscribe the device for the purpose of receiving notifications (via the NOTIFY method) about a particular event.
NOTIFY	Method used by a user agent to convey information about the occurrence of a particular event. A NOTIFY is always sent within a dialog, when a subscription exists between the subscriber and the notifier.
UPDATE	Method used to modify the state of a session without changing the state of the dialog,
PRACK	Method used to acknowledge receipt of reliably transported provisional responses. This is generated by a UAC.
MESSAGE	Method used to transport instant messages (IM) using SIP.
INFO	Method used to send information in the middle of a session that doesn't modify the session's state.
PUBLISH	Method used to publish an event state to the server.
OTHER	Method used

The following is an example of the show command output for an ACK Request.



The example above provides a description for each area of the output. The Request method displays on the line directly under the command prompt (ACK in the above example), followed by the time stamp (hour:minute:second format), and then the recent period timer. The User Agent Server (UAS) data (when the Oracle® Enterprise Session Border Controller is acting as a server) is listed in the middle of the display, and the User Agent Client (UAC) data (when the Oracle® Enterprise Session Border Controller is acting as a client) is listed on the right side.

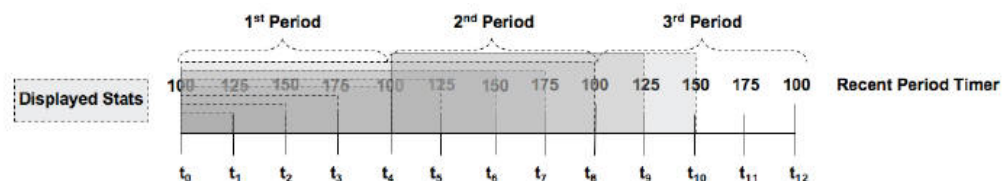
For both the UAS and UAC, the **Recent** column represents statistics for the recent period (the current period plus the last period). The **Total** column represents the total for a particular metric since the last stats clearing. Statistics are cleared either through the re-issue of the `show survivability <method_name>` command or on a reboot. The **PerMax** column represents the maximum for a given metric seen in any given individual (current) period.

**Note:**

The “Recent” column represents the recent period, which includes statistics from the current and the last period, which is why that number may be higher than what displays in the PerMax column.

**Recent Period Timer Operation**

The Current period timer counts from 100 to 200 in one second increments as shown in the following illustration.



The statistics that display in the Recent column for any show survivability command reflects the appropriate behaviors for the associated value within the current period PLUS the last period (which constitutes a 100-200 second Recent period). This

prevents the statistics from zeroing out between period transitions. So at time t4, in the display above, the statistics that display represent the last 100 seconds worth of behaviors (from the first period). The Recent Period statistics at time t6 represent the last 150 seconds of statistics (including 100 period 1). The Recent Period statistics at time t8 represent the last 100 seconds of statistics (including 100 from period 2).

The Recent period is the sum of the Active (current) period and the previous period.

### SIP Request Method Examples

The following are examples of the show survivability <method\_name> command. This command displays the recent and total Request events passed between the server and client when Survivability mode was enabled on the Oracle® Enterprise Session Border Controller. This output also displays the maximum number of Request events that occurred during a current time period window of 100 seconds, when Survivability mode was enabled.

You can specify any SIP Request method for the <method\_name>. The following example uses the INVITE SIP Request name.

#### Example 1

```
ORACLE# show survivability invite
INVITE (10:15:44-189)
----- Server ----- Client
-----
Message/Event      Recent      Total  PerMax  Recent      Total
PerMax
-----
-----
INVITE Requests          1          1      1         1
1      1
Retransmissions         0          0      0         0
0      0
100 Trying               1          1      1         0
0      0
180 Ringing              1          1      1         1
1      1
200 OK                   1          1      1         1
1      1
Response Retrans        0          0      0         0
0      0
Transaction Timeouts    -          -      -         0
0      0
Locally Throttled       -          -      -         0
0      0
Avg Latency=0.130 for 1
Max Latency=0.130
```

#### Example 2

The following example uses the REGISTER SIP Request name.

```
ORACLE# show survivability register
REGISTER (09:55:26-150)
----- Server ----- Client
```

```

-----
Message/Event      Recent      Total  PerMax  Recent      Total
PerMax
-----
REGISTER Requests      4          4       4       4
4          4
Retransmissions       0          0       0       0
0          0
200 OK                2          2       2       2
2          2
401 Unauthorized      2          2       2       2
2          2
Transaction Timeouts  -          -       -       0
0          0
Locally Throttled     -          -       -       0
0          0
Avg Latency=0.139 for 4
Max Latency=0.158

```

If Survivability mode was never initiated, the outputs show values of zero (0) in all columns.

#### show survivability commands

The following table describes the output for the “show survivability <method\_name>” command.

Message/Event	Description
INVITE Requests	Number of INVITE Request events that occurred between the server and client during Survivability mode.
Retransmissions	Number of retransmission of INVITE Request events that occurred during Survivability.
<Response Code>	Type and number of responses that occurred between the Client and Server during Survivability.
Transaction Timeouts	Number of INVITE Request event timeouts that occurred during Survivability.
Locally Throttled	Number of INVITE Request events that were locally throttled during Survivability. This is the number of INVITE Request events that were transmitted during the regulation (slowing down) of network traffic by the Oracle® Enterprise Session Border Controller to minimize bandwidth congestion.
Avg Latency	Average amount of time for INVITE Request events to travel in the time period window with the amount of events specified.
Max Latency	Maximum amount of time it took for INVITE Request events to travel in the time period window.

## Show Commands for Session Agents Interfaces and Realms

The following show commands for Session Agents, interfaces and realms allow you to display recent and total statistics about the SIP methods used during Survivability mode:

- **show survivability agents <hostname><method\_name>**



- **show survivability interface <realm-id><method\_name>**
- **show survivability realms <realm-id><method\_name>**

For each of these commands you can specify the SIP method name for which you want to display statistics. SIP method names include:

- BYE
- UPDATE
- CANCEL
- ACK
- INVITE
- PRACK
- REFER
- OTHER
- OPTIONS
- SUBSCRIBE
- NOTIFY
- INFO
- MESSAGE
- PUBLISH
- REGISTER

The output for these commands display recent and total number of SIP Requests that occurred for a session agent, interface, or realm during a current time period window of 100 seconds, when Survivability mode was enabled.

 **Note:**

To view the method names available, press the tab key after entering the command as shown in the following example.

```
ORACLE# show survivability agents net192<tab>
ack      bye      cancel   info     invite   message
notify   options other    prack    publish  refer
register  subscribe update
```

The following examples show the output of the show survivability commands for agents, interface, and realms.

If Survivability mode was never initiated, the outputs show values of zero (0) in all columns.

### Session Agents

```
ORACLE# show survivability agents net192 refer
REFER (13:15:35-117)
```

```

----- Server -----
----- Client
-----
Message/Event      Recent      Total  PerMax  Recent      Total
PerMax
-----
REFER Requests      0           2      2        0
2      2
Retransmissions     0           0      0        0
0      0
202 Accepted        0           2      2        0
2      2
Transaction Timeouts -            -      -        0
0      0
Locally Throttled   -            -      -        0
0      0
Avg Latency=0.000 for 0
Max Latency=0.000

```

### Interface

```

ORACLE# show survivability interface net192 refer
REFER (13:15:35-117)

```

```

----- Server -----
----- Client
-----
Message/Event      Recent      Total  PerMax  Recent      Total
PerMax
-----
REFER Requests      0           2      2        0
2      2
Retransmissions     0           0      0        0
0      0
202 Accepted        0           2      2        0
2      2
Transaction Timeouts -            -      -        0
0      0
Locally Throttled   -            -      -        0
0      0
Avg Latency=0.000 for 0
Max Latency=0.000

```

### Realms

```

ORACLE# show survivability realms net192 refer
REFER (13:15:35-117)

```

```

----- Server -----
----- Client
-----
Message/Event      Recent      Total  PerMax  Recent      Total
PerMax
-----
REFER Requests      0           2      2        0
2      2

```

```

Retransmissions          0          0          0          0
0          0
202 Accepted            0          2          2          0
2          2
Transaction Timeouts    -          -          -          0
0          0
Locally Throttled       -          -          -          0
0          0
Avg Latency=0.000 for 0
Max Latency=0.000

```

## Output

The following table describes the output for the above commands.

Message/Event	Description
<method_name> Requests	Number of the specified Request events that occurred between the server and client during Survivability mode.
Retransmissions	Number of retransmissions of specified Request message that occurred during Survivability.
<Response Code>	Type and number of responses that occurred between the Client and Server during Survivability.
Transaction Timeouts	Number of the specified Request event timeouts that occurred during Survivability.
Locally Throttled	Number of the specified Request events that were locally throttled during Survivability. This is the number of ACK Request events that were transmitted during the regulation (slowing down) of network traffic by the Oracle® Enterprise Session Border Controller to minimize bandwidth congestion.
Avg Latency	Average amount of time for the specified Request events to travel in the time period window of 100 seconds, for the amount of events specified, during Survivability.
Max Latency	Maximum amount of time it took for the specified Request events to travel in the time period window of 100 seconds during Survivability.

## Historical Data Recording (HDR) for Survivability

If the Oracle® Enterprise Session Border Controller is configured to collect Historical Data Recording (HDR) statistics, statistics are collected on Survivability whether or not it is in-service.

HDR data consists of a “Group” with associated Group Statistics that apply to each group. HDR data comes from two sources:

- Simple Network Management Protocol (SNMP) Management Information Bases (MIBs)
- Oracle’s Command Line Interface (ACLI)

The Survivability data in the HDR outputs are taken from the ACLI. The following are the HDR Groups for survivability:

- **survivability-sip-status**
- **survivability-sip-invites**

- **survivability-sip-register**
- **survivability-sip-errors**

When the collector on the Oracle® Enterprise Session Border Controller is enabled, these Groups and associated Group Statistics are included in the collection of data.

The following paragraphs provide a description of each Survivability Group and Group Statistic. Each Group table identifies the ACLI Show command for which it is associated.

## Group survivability-sip-status

<b>Description</b>	Consists of statistics pertaining to the status of Survivability on the Oracle® Enterprise Session Border Controller.
<b>Group Statistics</b>	<a href="#">Sessions</a> <a href="#">Subscriptions</a> <a href="#">Dialogs</a> <a href="#">CallID Maps</a> <a href="#">Rejections</a> <a href="#">ReINVITEs</a> <a href="#">Media Sessions</a> <a href="#">Media Pending</a> <a href="#">Client Trans</a> <a href="#">Server Trans</a> <a href="#">Resp Contexts</a> <a href="#">Saved Contexts</a> <a href="#">Sockets</a> <a href="#">Req Drops</a> <a href="#">DNS Trans</a> <a href="#">DNS Sockets</a> <a href="#">DNS Results</a> <a href="#">Session Rate</a> <a href="#">Load Rate</a> <a href="#">Active Subscriptions</a> <a href="#">SubscriptionsPerMax</a> <a href="#">Subscriptions High</a>
ACLI Show Command	show survivability
ACLI Parameter Mapping	For ACLI parameter mappings, see the table at <a href="#">Show Survivability Command</a> .

## Group Statistics

### Active Subscriptions

<b>Description</b>	Specifies the current global count of active SIP subscriptions during Survivability.
Type	counter
Timer Value (seconds)	N/A
Range	0 to 4294967295

<b>Description</b>	<b>Specifies the current global count of active SIP subscriptions during Survivability.</b>
ACLI Show Command	show survivability register
ACLI Parameter Mapping	For ACLI parameter mappings, see the command show sipd realms <realm_name> in the E-SBC Historical Data Recording Resource Guide.

## CallID Maps

<b>Description</b>	<b>Total number of successful session header Call ID mappings during Survivability.</b>
Type	counter
Timer Value (seconds)	N/A
Range	0 to 4294967295
ACLI Show Command	show survivability
ACLI Parameter Mapping	For ACLI parameter mappings, see the table at <a href="#">Show Survivability Command</a> .

## Client Trans

<b>Description</b>	<b>Total number of client transactions during Survivability.</b>
Type	counter
Timer Value (seconds)	N/A
Range	0 to 4294967295
ACLI Show Command	show survivability
ACLI Parameter Mapping	For ACLI parameter mappings, see the table at <a href="#">Show Survivability Command</a> .

## DNS Results

<b>Description</b>	<b>Total number of Domain Name System (DNS) results during Survivability.</b>
Type	counter
Timer Value (seconds)	N/A
Range	0 to 4294967295
ACLI Show Command	show survivability
ACLI Parameter Mapping	For ACLI parameter mappings, see the table at <a href="#">Show Survivability Command</a> .

## DNS Sockets

---

Description	Total number of Domain Name System (DNS) sockets during Survivability.
Type	counter
Timer Value (seconds)	N/A
Range	0 to 4294967295
ACLI Show Command	show survivability
ACLI Parameter Mapping	For ACLI parameter mappings, see the table at <a href="#">Show Survivability Command</a> .

---

## DNS Trans

---

Description	Total number of Domain Name System (DNS) transactions during Survivability.
Type	counter
Timer Value (seconds)	N/A
Range	0 to 4294967295
ACLI Show Command	show survivability
ACLI Parameter Mapping	For ACLI parameter mappings, see the table at <a href="#">Show Survivability Command</a> .

---

## Dialogs

---

Description	Total number of end-to-end SIP signaling connections during Survivability.
Type	counter
Timer Value (seconds)	N/A
Range	0 to 4294967295
ACLI Show Command	show survivability
ACLI Parameter Mapping	For ACLI parameter mappings, see the table at <a href="#">Show Survivability Command</a> .

---

## Load Rate

<b>Description</b>	<b>Average Central Processing Unit (CPU) utilization of the Oracle® Enterprise Session Border Controller during the current window period, and during Survivability. The average is computed every 10 seconds unless the load-limit is configured in the SIPConfig record, in which case it is 5 seconds.</b>
Type	period
Timer Value (seconds)	30
Range	0% to 100%
ACLI Show Command	show survivability
ACLI Parameter Mapping	For ACLI parameter mappings, see the table at <a href="#">Show Survivability Command</a> .

## Media Pending

<b>Description</b>	<b>Total number of media sessions waiting to be established during Survivability.</b>
Type	counter
Timer Value (seconds)	N/A
Range	0 to 4294967295
ACLI Show Command	show survivability
ACLI Parameter Mapping	For ACLI parameter mappings, see the table at <a href="#">Show Survivability Command</a> .

## Media Sessions

<b>Description</b>	<b>Total number of successful media sessions during Survivability.</b>
Type	counter
Timer Value (seconds)	N/A
Range	0 to 4294967295
ACLI Show Command	show survivability
ACLI Parameter Mapping	For ACLI parameter mappings, see the table at <a href="#">Show Survivability Command</a> .

## ReINVITES

Description	Total number of ReINVITES during Survivability.
Type	counter
Timer Value (seconds)	N/A
Range	0 to 4294967295
ACLI Show Command	show survivability
ACLI Parameter Mapping	For ACLI parameter mappings, see the table at <a href="#">Show Survivability Command</a> .

## Rejections

Description	Total number of rejected INVITES during Survivability.
Type	counter
Timer Value (seconds)	N/A
Range	0 to 4294967295
ACLI Show Command	show survivability
ACLI Parameter Mapping	For ACLI parameter mappings, see the table at <a href="#">Show Survivability Command</a> .

## Req Drops

Description	Total number of dropped requests during Survivability.
Type	counter
Timer Value (seconds)	N/A
Range	0 to 4294967295
ACLI Show Command	show survivability
ACLI Parameter Mapping	For ACLI parameter mappings, see the table at <a href="#">Show Survivability Command</a> .

## Resp Contexts

Description	Total number of response contexts during Survivability.
Type	counter
Timer Value (seconds)	N/A
Range	0 to 4294967295



Description	Total number of response contexts during Survivability.
ACLI Show Command	show survivability
ACLI Parameter Mapping	For ACLI parameter mappings, see the table at <a href="#">Show Survivability Command</a> .

## Saved Contexts

Description	Total number of saved contexts during Survivability.
Type	counter
Timer Value (seconds)	N/A
Range	0 to 4294967295
ACLI Show Command	show survivability
ACLI Parameter Mapping	For ACLI parameter mappings, see the table at <a href="#">Show Survivability Command</a> .

## Server Trans

Description	Total number of server transactions that have taken place on the Oracle® Enterprise Session Border Controller during Survivability.
Type	counter
Timer Value (seconds)	N/A
Range	0 to 4294967295
ACLI Show Command	show survivability
ACLI Parameter Mapping	For ACLI parameter mappings, see the table at <a href="#">Show Survivability Command</a> .

## Sessions

Description	Total number of sessions established by INVITE and SUBSCRIBE messages during Survivability.
Type	counter
Timer Value (seconds)	N/A
Range	0 to 4294967295
ACLI Show Command	show survivability
ACLI Parameter Mapping	For ACLI parameter mappings, see the table at <a href="#">Show Survivability Command</a> .

## Session Rate

<b>Description</b>	<b>The rate, per second, of SIP invites allowed to or from the Oracle® Enterprise Session Border Controller during the sliding window period, and during Survivability. The rate is computed every 10 seconds .</b>
Type	period
Timer Value (seconds)	30
Range	0 to 4294967295
ACLI Show Command	show survivability
ACLI Parameter Mapping	For ACLI parameter mappings, see the table at <a href="#">Show Survivability Command</a> .

## Sockets

<b>Description</b>	<b>Total number of SIP sockets during Survivability.</b>
Type	counter
Timer Value (seconds)	N/A
Range	0 to 4294967295
ACLI Show Command	show survivability
ACLI Parameter Mapping	For ACLI parameter mappings, see the table at <a href="#">Show Survivability Command</a> .

## Subscriptions

<b>Description</b>	<b>Total number of sessions established by SUBSCRIPTION during Survivability.</b>
Type	counter
Timer Value (seconds)	N/A
Range	0 to 4294967295
ACLI Show Command	show survivability
ACLI Parameter Mapping	For ACLI parameter mappings, see the table at <a href="#">Show Survivability Command</a> .

## Subscriptions High

<b>Description</b>	<b>Specifies the maximum global count of active SIP subscriptions since the last SBC re-boot, and during Survivability.</b>
Type	counter

<b>Description</b>	<b>Specifies the maximum global count of active SIP subscriptions since the last SBC re-boot, and during Survivability.</b>
Timer Value (seconds)	N/A
Range	0 to 4294967295
ACLI Show Command	show survivability register
ACLI Parameter Mapping	For ACLI parameter mappings, see the command show sipd realms <realm_name> in the E-SBC Historical Data Recording Resource Guide.

## SubscriptionsPerMax

<b>Description</b>	<b>Specifies the maximum global count of SIP subscriptions initiated during any 100 second period since the last E-SBC re-boot, and during Survivability.</b>
Type	counter
Timer Value (seconds)	N/A
Range	0 to 4294967295
ACLI Show Command	show survivability register
ACLI Parameter Mapping	For ACLI parameter mappings, see the command show sipd realms <realm_name> in the E-SBC Historical Data Recording Resource Guide.

## Group survivability-sip-invites

<b>Description</b>	<b>Consists of response statistics pertaining to INVITES during Survivability on the Oracle® Enterprise Session Border Controller.</b>
<b>Group Statistics</b>	<p><a href="#">INVITE Requests</a>  <a href="#">Retransmissions</a>  <a href="#">Response Codes</a></p> <p>Each response code is next printed to the HDR file on a separate line. The format is &lt;timestamp&gt; &lt;3-digit-code Description&gt; &lt;Total count&gt; &lt;Client total count&gt;. See the above link to the Response Codes description table.</p> <p><a href="#">Response Retrans</a>  <a href="#">Transaction Timeouts</a>  <a href="#">Locally Throttled</a></p>
ACLI Show Command	show survivability invite
ACLI Parameter Mapping	For ACLI parameter mappings, see the command “show survivability invite” at <a href="#">SIP Request Method Examples</a> .

## Group Statistics

### INVITE Requests

---

Description	Total number of INVITE requests during Survivability.
Type	counter
Timer Value (seconds)	N/A
Range	0 to 4294967295
ACLI Show Command	show survivability invite
ACLI Parameter Mapping	For ACLI parameter mappings, see the command “show survivability invite” at <a href="#">SIP Request Method Examples</a> .

---

### Locally Throttled

---

Description	Total number of INVITE requests locally throttled during Survivability.
Type	counter
Timer Value (seconds)	N/A
Range	0 to 4294967295
ACLI Show Command	show survivability invite
ACLI Parameter Mapping	For ACLI parameter mappings, see the command “show survivability invite” at <a href="#">SIP Request Method Examples</a> .

---

## Response Codes

Description	Total number of a specific INVITE response codes that occurred during Survivability.
Description	<p>Each of the response codes are as follows:</p> <p>1xx --Informational:</p> <p>100 Trying: This response is used to indicate the next node receives the request and stop the retransmission. This response is sent if there is delay in sending the final response more the 200ms.</p> <p>180 Ringing: The response is generated if UA receives the INVITE and started the ringing. It may used to initiate local ring back.</p> <p>181 Call is being Forwarded: This response is indication of call is being forwarded to different destination.</p> <p>182 Call Queued: The called server is overloaded or temporary unavailable. the server sends this status code to queue the call. When server ready to take the call, it initiates appropriate final response.</p> <p>183 Call Progress: This response may be used to send extra information for a call which is still being set up.</p> <p>2xx—Successful Responses</p> <p>200 OK: Indicates the request was successful.</p> <p>202 Accepted: Indicates that the request has been accepted for processing, but the processing has not been completed.</p> <p>3xx—Redirection Response</p> <p>301 Moved Permanently: The original Request-URI is no longer valid, the new address is given in the Contact header field, and the client should update any records of the original Request-URI with the new value.</p> <p>302 Moved Temporarily: The client should try at the address in the Contact field. If an Expires field is present, the client may cache the result for that period of time.</p> <p>305 Use Proxy: The Contact field details a proxy that must be used to access the requested destination.</p> <p>380 Alternative Service: The call failed, but alternatives are detailed in the message body.</p> <p>4xx—Client Failure Responses</p> <p>400 Bad Request: The request could not be understood due to malformed syntax.</p> <p>401 Unauthorized: The request requires user authentication. This response is issued by UASs and registrars.</p> <p>403 Forbidden: The server understood the request, but is refusing to fulfill it</p> <p>404 Not Found: The server has definitive information that the user does not exist at the domain specified in the Request-URI. This status is also returned if the domain in the Request-URI does not match any of the domains handled by the recipient of the request.</p> <p>405 Method Not Allowed: The method specified in the Request-Line is understood, but not allowed for the address identified by the Request-URI.</p> <p>406 Not Acceptable: The resource identified by the request is only capable of generating response entities that have content characteristics but not acceptable according to the Accept header field sent in the request.</p> <p>407 Proxy Authentication Required: The request requires user authentication. This response is issued by proxys</p> <p>4xx—Client Failure Responses (continued)</p> <p>408 Request Timed Out: Couldn't find the user in time.</p>

---

Description	Total number of a specific INVITE response codes that occurred during Survivability.
	415 Unsupported Media Type: Request body in a format not supported.
	420 Bad Extension: Bad SIP Protocol Extension used, not understood by the server.
	421 Extension Required: The server needs a specific extension not listed in the Supported header.
	422 Session Interval Too Small: The received request contains a Session-Expires header field with a duration below the minimum timer.
	423 Interval Too Brief: Expiration time of the resource is too short.
	480 Temporarily Unavailable: Callee currently unavailable.
	481 Call/Transaction Does Not Exist: Server received a request that does not match any dialog or transaction.
	482 Loop Detected: Server has detected a loop.
	483 Too Many Hops: Max-Forwards header has reached the value '0'.
	484 Address Incomplete: Request-URI incomplete.
	485 Ambiguous: Request-URI is ambiguous.
	486 Busy Here: Callee is busy.
	487 Request Terminated: Request has terminated by bye or cancel.
	488 Not Acceptable Here: Some aspects of the session description of the Request-URI is not acceptable.
	489 Bad Event: The server did not understand an event package specified in an Event header field.
	491 Request Pending: Server has some pending request from the same dialog.
	5xx—Server Failure Responses
	500 Server Internal Error: The server could not fulfill the request due to some unexpected condition.
	501 Not Implemented: The server does not have the ability to fulfill the request, such as because it does not recognize the request method. (Compare with 405 Method Not Allowed, where the server recognizes the method but does not allow or support it.)
	502 Bad Gateway: The server is acting as a gateway or proxy, and received an invalid response from a downstream server while attempting to fulfill the request.
	503 Service Unavailable: The server is undergoing maintenance or is temporarily overloaded and so cannot process the request. A "Retry-After" header field may specify when the client may re attempt its request.
	504 Server Time-out: The server attempted to access another server in attempting to process the request, and did not receive a prompt response.
	513 Message Too Large: The request message length is longer than the server can process.
	580 Precondition Failure: The server is unable or unwilling to meet some constraints specified in the offer.
	6xx—Global Failure Responses
	600 Busy Everywhere: All possible destinations are busy. Unlike the 486 response, this response indicates the destination knows there are no alternative destinations (such as a voicemail server) able to accept the call.
	603 Decline: The destination does not wish to participate in the call, or cannot do so, and additionally the client knows there are no alternative destinations (such as a voicemail server) willing to accept the call.
	604 Does Not Exist Anywhere: The server has authoritative information that the requested user does not exist anywhere.

---

Description	Total number of a specific INVITE response codes that occurred during Survivability.
	606 Not Acceptable: The user's agent was contacted successfully but some aspects of the session description such as the requested media, bandwidth, or addressing style were not acceptable.
Type	counter
Timer Value (seconds)	N/A
Range	0 to 4294967295
ACLI Show Command	show survivability invite
ACLI Parameter Mapping	For ACLI parameter mappings, see the command "show survivability invite" at <a href="#">SIP Request Method Examples</a> .

## Response Retrans

Description	Total number of INVITE response retransmissions during Survivability.
Type	counter
Timer Value (seconds)	N/A
Range	0 to 4294967295
ACLI Show Command	show survivability invite
ACLI Parameter Mapping	For ACLI parameter mappings, see the command "show survivability invite" at <a href="#">SIP Request Method Examples</a> .

## Retransmissions

Description	Total number of retransmissions of INVITEs during Survivability.
Type	counter
Timer Value (seconds)	N/A
Range	0 to 4294967295
ACLI Show Command	show survivability invite
ACLI Parameter Mapping	For ACLI parameter mappings, see the command "show survivability invite" at <a href="#">SIP Request Method Examples</a> .

## Transaction Timeouts

Description	Total number of INVITE request transaction timeouts during Survivability.
Type	counter
Timer Value (seconds)	N/A

<b>Description</b>	<b>Total number of INVITE request transaction timeouts during Survivability.</b>
Range	0 to 4294967295
ACLI Show Command	show survivability invite
ACLI Parameter Mapping	For ACLI parameter mappings, see the command “show survivability invite” at <a href="#">SIP Request Method Examples</a> .

## Group survivability-sip-register

<b>Description</b>	<b>Consists of response statistics pertaining to REGISTRATIONS during Survivability on the Oracle® Enterprise Session Border Controller.</b>
<b>Group Statistics</b>	<a href="#">REGISTRATION Requests</a> <a href="#">Retransmissions</a> <a href="#">Response Retrans</a> <a href="#">Transaction Timeouts</a> <a href="#">Locally Throttled</a>
ACLI Show Command	show survivability register
ACLI Parameter Mapping	For ACLI parameter mappings, see the command “show survivability register” at <a href="#">SIP Request Method Examples</a> .

## Group Statistics

### Locally Throttled

<b>Description</b>	<b>Total number of Register requests locally throttled during Survivability.</b>
Type	counter
Timer Value (seconds)	N/A
Range	0 to 4294967295
ACLI Show Command	show survivability invite
ACLI Parameter Mapping	For ACLI parameter mappings, see the command “show survivability invite” at <a href="#">SIP Request Method Examples</a> .

## REGISTRATION Requests

<b>Description</b>	<b>Total number of Register requests sent between the client and server during Survivability.</b>
Type	counter
Timer Value (seconds)	N/A
Range	0 to 4294967295



Description	Total number of Register requests sent between the client and server during Survivability.
ACLI Show Command	show survivability register
ACLI Parameter Mapping	For ACLI parameter mappings, see the command “show survivability register” at <a href="#">SIP Request Method Examples</a> .

## Response Retrans

Description	Total number of Register response retransmissions during Survivability.
Type	counter
Timer Value (seconds)	N/A
Range	0 to 4294967295
ACLI Show Command	show survivability invite
ACLI Parameter Mapping	For ACLI parameter mappings, see the command “show survivability invite” at <a href="#">SIP Request Method Examples</a> .

## Retransmissions

Description	Total number of Register retransmissions that occurred during Survivability.
Type	counter
Timer Value (seconds)	N/A
Range	0 to 4294967295
ACLI Show Command	show survivability register
ACLI Parameter Mapping	For ACLI parameter mappings, see the command “show survivability register” at <a href="#">SIP Request Method Examples</a> .

## Transaction Timeouts

Description	Total number of Register request transaction timeouts during Survivability.
Type	counter
Timer Value (seconds)	N/A
Range	0 to 4294967295
ACLI Show Command	show survivability invite
ACLI Parameter Mapping	For ACLI parameter mappings, see the command “show survivability invite” at <a href="#">SIP Request Method Examples</a> .

## Group survivability-sip-errors

<b>Description</b>	Consists of response statistics pertaining to <b>REGISTRATIONS</b> during Survivability on the Oracle® Enterprise Session Border Controller.
<b>Group Statistics</b>	<a href="#">SDP Offer Errors</a> <a href="#">SDP Answer Errors</a> <a href="#">Drop Media Errors</a> <a href="#">Transaction Errors</a> <a href="#">Application Errors</a> <a href="#">Media Exp Events</a> <a href="#">Early Media Exps</a> <a href="#">Exp Media Drops</a> <a href="#">Expired Sessions</a> <a href="#">Multiple OK Drops</a> <a href="#">Multiple OK Terms</a> <a href="#">Media Failure Drops</a> <a href="#">Non-ACK 2xx Drops</a> <a href="#">Invalid Requests</a> <a href="#">Invalid Responses</a> <a href="#">Invalid Messages</a> <a href="#">CAC Session Drop</a> <a href="#">CAC BW Drop</a>
ACL Show Command	show survivability errors
ACL Parameter Mapping	For ACL parameter mappings, see the command “show survivability errors” at <a href="#">SIP Request Method Examples</a> .

## Group Statistics

### Application Errors

<b>Description</b>	Total number of miscellaneous errors in the SIP application that are otherwise uncategorized during Survivability.
Type	counter
Timer Value (seconds)	N/A
Range	0 to 4294967295
ACL Show Command	show survivability errors
ACL Parameter Mapping	For ACL parameter mappings, see the command “show survivability errors” at <a href="#">SIP Request Method Examples</a> .

### CAC BW Drop

<b>Description</b>	Total number of call admission control (CAC) session setup failures due to insufficient bandwidth (BW) during Survivability.
Type	counter

<b>Description</b>	<b>Total number of call admission control (CAC) session setup failures due to insufficient bandwidth (BW) during Survivability.</b>
Timer Value (seconds)	N/A
Range	0 to 4294967295
ACLI Show Command	show survivability errors
ACLI Parameter Mapping	For ACLI parameter mappings, see the command “show survivability errors” at <a href="#">SIP Request Method Examples</a> .

## CAC Session Drop

<b>Description</b>	<b>Total number of call admission control (CAC) session setup failures during Survivability.</b>
Type	counter
Timer Value (seconds)	N/A
Range	0 to 4294967295
ACLI Show Command	show survivability errors
ACLI Parameter Mapping	For ACLI parameter mappings, see the command “show survivability errors” at <a href="#">SIP Request Method Examples</a> .

## Drop Media Errors

<b>Description</b>	<b>Total number of errors encountered during Survivability</b>
Description	Total number of errors encountered during Survivability, in tearing down the media for a dialog or session that is being terminated due to: a) non-successful response to an INVITE transaction, or b) a BYE transaction received from one of the participants in a dialog/session, or c) a BYE initiated by the E-SBC due to a timeout notification from the Middlebox Control Daemon (MBCD).
Type	counter
Timer Value (seconds)	N/A
Range	0 to 4294967295
ACLI Show Command	show survivability errors
ACLI Parameter Mapping	For ACLI parameter mappings, see the command “show survivability errors” at <a href="#">SIP Request Method Examples</a> .

## Early Media Exps

<b>Description</b>	<b>Total number of flow timer expiration notifications received for media sessions that were not completely set up due to an incomplete or pending INVITE transaction during Survivability.</b>
Type	counter
Timer Value (seconds)	N/A
Range	0 to 4294967295
ACLI Show Command	show survivability errors
ACLI Parameter Mapping	For ACLI parameter mappings, see the command “show survivability errors” at <a href="#">SIP Request Method Examples</a> .

## Expired Sessions

<b>Description</b>	<b>Total number of sessions terminated due to the session timer expiring during Survivability.</b>
Type	counter
Timer Value (seconds)	N/A
Range	0 to 4294967295
ACLI Show Command	show survivability errors
ACLI Parameter Mapping	For ACLI parameter mappings, see the command “show survivability errors” at <a href="#">SIP Request Method Examples</a> .

## Exp Media Drops

<b>Description</b>	<b>Total number of flow timer expiration notifications from the Middlebox Control Daemon (MBCD) that resulted in the termination of the dialog/session by the SIP application during Survivability.</b>
Type	counter
Timer Value (seconds)	N/A
Range	0 to 4294967295
ACLI Show Command	show survivability errors
ACLI Parameter Mapping	For ACLI parameter mappings, see the command “show survivability errors” at <a href="#">SIP Request Method Examples</a> .

## Invalid Messages

Description	Total number of messages dropped due to parse failure during Survivability.
Type	counter
Timer Value (seconds)	N/A
Range	0 to 4294967295
ACLI Show Command	show survivability errors
ACLI Parameter Mapping	For ACLI parameter mappings, see the command “show survivability errors” at <a href="#">SIP Request Method Examples</a> .

## Invalid Requests

Description	Total number of invalid requests (for example, an unsupported header was received) during Survivability.
Type	counter
Timer Value (seconds)	N/A
Range	0 to 4294967295
ACLI Show Command	show survivability errors
ACLI Parameter Mapping	For ACLI parameter mappings, see the command “show survivability errors” at <a href="#">SIP Request Method Examples</a> .

## Invalid Responses

Description	Total number of invalid responses (for example, no Via header in response) during Survivability.
Type	counter
Timer Value (seconds)	N/A
Range	0 to 4294967295
ACLI Show Command	show survivability errors
ACLI Parameter Mapping	For ACLI parameter mappings, see the command “show survivability errors” at <a href="#">SIP Request Method Examples</a> .

## Media Exp Events

Description	Total number of flow timer expiration notifications received from the Middlebox Control Daemon (MBCD) during Survivability.
Type	counter

<b>Description</b>	<b>Total number of flow timer expiration notifications received from the Middlebox Control Daemon (MBCD) during Survivability.</b>
Timer Value (seconds)	N/A
Range	0 to 4294967295
ACLI Show Command	show survivability errors
ACLI Parameter Mapping	For ACLI parameter mappings, see the command “show survivability errors” at <a href="#">SIP Request Method Examples</a> .

## Media Failure Drops

<b>Description</b>	<b>Total number of dialogs terminated due to a failure in establishing the media session during Survivability.</b>
Type	counter
Timer Value (seconds)	N/A
Range	0 to 4294967295
ACLI Show Command	show survivability errors
ACLI Parameter Mapping	For ACLI parameter mappings, see the command “show survivability errors” at <a href="#">SIP Request Method Examples</a> .

## Multiple OK Drops

<b>Description</b>	<b>Total number of dialogs terminated upon reception of a 200 OK response from multiple User Agent Servers (UASs) for a given INVITE transaction that was forked by a downstream proxy during Survivability.</b>
Type	counter
Timer Value (seconds)	N/A
Range	0 to 4294967295
ACLI Show Command	show survivability errors
ACLI Parameter Mapping	For ACLI parameter mappings, see the command “show survivability errors” at <a href="#">SIP Request Method Examples</a> .

## Multiple OK Terms

<b>Description</b>	<b>Total number of dialogs terminated upon reception of a 200 OK response that conflicts with an existing established dialog on the Oracle® Enterprise Session Border Controller during Survivability.</b>
Type	counter
Timer Value (seconds)	N/A

<b>Description</b>	<b>Total number of dialogs terminated upon reception of a 200 OK response that conflicts with an existing established dialog on the Oracle® Enterprise Session Border Controller during Survivability.</b>
Range	0 to 4294967295
ACLI Show Command	show survivability errors
ACLI Parameter Mapping	For ACLI parameter mappings, see the command “show survivability errors” at <a href="#">SIP Request Method Examples</a> .

## Non-ACK 2xx Drops

<b>Description</b>	<b>Total number of sessions terminated because an ACK was not received for a 2xx response during Survivability.</b>
Type	counter
Timer Value (seconds)	N/A
Range	0 to 4294967295
ACLI Show Command	show survivability errors
ACLI Parameter Mapping	For ACLI parameter mappings, see the command “show survivability errors” at <a href="#">SIP Request Method Examples</a> .

## SDP Answer Errors

<b>Description</b>	<b>Total number of errors encountered during Survivability, in setting up the media session for a session description in a SIP request or response which is a Session Description Protocol (SDP) Answer in the Offer/Answer model (RFC 3264)</b>
Type	counter
Timer Value (seconds)	N/A
Range	0 to 4294967295
ACLI Show Command	show survivability errors
ACLI Parameter Mapping	For ACLI parameter mappings, see the command “show survivability errors” at <a href="#">SIP Request Method Examples</a> .

## SDP Offer Errors

<b>Description</b>	<b>Total number of errors encountered during Survivability, in setting up the media session for a session description in a SIP request or response which is a Session Description Protocol (SDP) Offer in the Offer/Answer model (RFC 3264)</b>
Type	counter
Timer Value (seconds)	N/A

<b>Description</b>	<b>Total number of errors encountered during Survivability, in setting up the media session for a session description in a SIP request or response which is a Session Description Protocol (SDP) Offer in the Offer/Answer model (RFC 3264)</b>
Range	0 to 4294967295
ACLI Show Command	show survivability errors
ACLI Parameter Mapping	For ACLI parameter mappings, see the command “show survivability errors” at <a href="#">SIP Request Method Examples</a> .

## SNMP Trap for Survivability

An Oracle® Enterprise Session Border Controller (E-SBC) MIB contains objects of management data, and also information about Simple Network Management Protocol (SNMP) traps, which enable an agent to notify the management station of significant events by way of an unsolicited SNMP message. When an element sends a TRAP packet, it can include an Object Identifier (OID) and value information (bindings) to clarify the event. For more information about SNMP on the E-SBC, see the MIB Reference Guide.

The E-SBC triggers an Enterprise SNMP trap when a SIP interface goes in or out of Survivability mode. This trap is called:

- **snmp\_survivability\_mode\_trap\_send**

This trap has been added to the SIP application MIB called ap-sip.mib. The trap information is as follows in this MIB:

```

apSipSurvivabilityNotif          OBJECT IDENTIFIER ::=
{ apSipNotificationObjects 2 }
apSipSurvivabilityNotifObjects   OBJECT IDENTIFIER ::=
{ apSipSurvivabilityNotif 1 }
apSipSurvivabilityNotifPrefix   OBJECT IDENTIFIER ::=
{ apSipSurvivabilityNotif 2 }
apSipSurvivabilityNotifications OBJECT IDENTIFIER ::=
{ apSipSurvivabilityNotifPrefix 0 }
apSipSurvivabilityModeEnter     NOTIFICATION-TYPE
    OBJECTS      { apSysMgmtSipInterfaceRealmName,
apSysMgmtSipInterfaceIP }
    STATUS       current
    DESCRIPTION
        " The trap will be generated when SIP interface enters
Survivability Mode."
    ::= { apSipSurvivabilityNotifications 1 }
apSipSurvivabilityModeExit       NOTIFICATION-TYPE
    OBJECTS      { apSysMgmtSipInterfaceRealmName,
apSysMgmtSipInterfaceIP }
    STATUS       current
    DESCRIPTION
        " The trap will be generated when SIP interface exits
Survivability Mode and resumes normal operation."
    ::= { apSipSurvivabilityNotifications 2 }
apSipSurvivabilityNotificationsGroup NOTIFICATION-GROUP

```



```

NOTIFICATIONS {apSipSurvivabilityModeEnter,
               apSipSurvivabilityModeExit }
STATUS        current
DESCRIPTION
"Traps to monitor SIP interface Survivability feature."
 ::= { apSipNotificationGroups 2 }

```

**Note:**

The `apSysMgmtSipInterfaceRealmName` and `apSysMgmtSipInterfaceIP` objects are imported strings defined in `ap-smgmt.mib`.

When this trap is generated, it contains the following information:

- `realmname`—Realm name of the SIP interface
- `ipaddr`—IP address of the SIP interface
- `mode`—Specifies whether or not the SIP interface is in survivability mode. Values included with the trap are:
  - 0 - SIP interface is OK. It is not in Survivability mode.
  - 1 - SIP interface is in Survivability mode.

The following table identifies the Survivability OBJECT IDENTIFIERS in the Oracle MIB that the E-SBC supports.

Trap Name: OID Number	Description
<code>apSipSurvivabilityNotificationsGroupCap</code> : 1.3.6.1.4.1.9148.2.1.21.3	Specifies the capability of the E-SBC to notify the Agent regarding Survivability on the SIP interface.
<code>apSipSurvivabilityNotif</code> 1.3.6.1.4.1.9148.3.15.2.2	N/A
<code>apSipSurvivabilityNotifObjects</code> 1.3.6.1.4.1.9148.3.15.2.2.1	N/A
<code>apSipSurvivabilityNotifPrefix</code> 1.3.6.1.4.1.9148.3.15.2.2.2	N/A
<code>apSipSurvivabilityNotifications</code> 1.3.6.1.4.1.9148.3.15.2.2.2.0	N/A
<code>apSipSurvivabilityModeEnter</code> 1.3.6.1.4.1.9148.3.15.2.2.2.0.1	Specifies that the SIP interface has entered Survivability mode.
<code>apSipSurvivabilityModeExit</code> 1.3.6.1.4.1.9148.3.15.2.2.2.0.2	Specifies that the SIP interface has exited Survivability mode and resumed normal operation.
<code>apSipSurvivabilityNotificationsGroup</code> 1.3.6.1.4.1.9148.3.15.3.2.2	Specifies the notification from the E-SBC to the Agent regarding Survivability on the SIP interface.

## Survivability Alarms and Logging

All survivability debug information and messages are logged to the `serviceHealth.log`. When a SIP interface enters Survivability Mode, a MAJOR alarm is raised. The alarm message contains the SIP interface's IP address and realm ID on which it resides. The following is an example of the alarm.

### Survivability Alarm Example

ID	Task	Severity	First Occurred	Last Occurred
3145745	776175088	4	2013-08-20 10:19:35	2013-08-20 10:19:35
Count	Description			
1	SIP interface ip=172.16.38.17 realm-id=core running in Survivability Mode			

## Transaction Errors

---

**Description** Total number of errors encountered during Survivability when processing SIP client transactions associated with setting up or tearing down of the media session.

---

Type	counter
Timer Value (seconds)	N/A
Range	0 to 4294967295
ACLI Show Command	show survivability errors
ACLI Parameter Mapping	For ACLI parameter mappings, see the command “show survivability errors” at <a href="#">SIP Request Method Examples</a> .

---

# 18

## Web Server TLS Configuration

### Introduction

You can configure Transport Layer Security (TLS) on the Web Server for enhanced security when accessing the server. You can also manage the server using specific management commands.

This chapter provides information about configuring TLS and using management commands on the Web Server.

### Configuring TLS on the Web Server

The Web GUI supports the use of HTTP over Transport Layer Security (TLS) using the TLS Protocol. TLS is a cryptographic protocol that provides communication security over the Internet. It encrypts the segments of network connections at the Transport Layer, using asymmetric cryptography for key exchange, symmetric encryption for privacy, and message authentication codes for message integrity.

 **Note:**

For more information about setting up security on the Oracle® Enterprise Session Border Controller (E-SBC), see the chapter on security in this guide.

To use TLS with SIP Monitor and Trace, you must configure a TLS certificate and a TLS profile using the ACLI at the path **Configure Terminal**, and then **Security**. This configuration stores the information required to run SIP over TLS.

If you enable TLS on the active E-SBC, the Web-based GUI interface on the standby system is disabled.

### Process Overview

In summary, you need to take the following steps to enable the Oracle® Enterprise Session Border Controller (E-SBC) for TLS.

1. Make sure that the E-SBC has the appropriate hardware installed and that you have obtained an enabled the licenses related to TLS support.
2. Configure certificates.
3. Configure the specific parameters related to TLS.

## Certificate Configuration Process

The process for configuring a certificate on the Oracle® Enterprise Session Border Controller (E-SBC) requires the following steps.

1. Configure a certificate record on the E-SBC. See "Configure a Certificate Record."
2. Generate a certificate request by the E-SBC. See "Generate a Certificate Request."
3. Import the certificate into the E-SBC. See "Import a Certificate."
4. Reboot the system.

### Configure a Certificate Record

Use the certificate-record object to add a certificate record to the Oracle® Enterprise Session Border Controller (E-SBC). The certificate record configuration represents either the end-entity or the Certificate Authority (CA) certificate on the E-SBC.

When you configure a certificate for the E-SBC, the name that you enter must be the same as the name that you use when you generate a certificate request. If configuring for an end stations CA certificate for mutual authentication, the certificate name must be the same name used during the import procedure.

- If this certificate record is used to present an end-entity certificate, associate a private key with this certificate record by using a certificate request.
- If this certificate record is created to hold a CA certificate or certificate in PKCS12 format, a private key is not required.

1. Access the **certificate-record** configuration element.

```
ORACLE# configure terminal
ORACLE(configure)# security
ORACLE(security)# certificate record
ORACLE(certificate-record)#
```

2. Do the following:

**name**—Enter the name of the certificate record. Required.

**country**—Enter the name of the country. Default: U.S.

**state**—Enter the name of the state of for the country. Default: MA.

**locality**—Enter the name of the locality for the state. Default: Burlington.

**organization**—Enter the name of the organization holding the certificate. Default: Engineering.

**unit**—Enter the name of the unit for the holding the certificate within the organization.

**common-name**—Enter the common name for the certificate record.

**key-size**—Enter the size of the key for the certificate. Default:1024 Valid values: 512 | 2048 | 4096.

**alternate-name**—Enter the alternate name of the certificate holder.

**key-usage-list**—Enter the usage extensions you want to use with this certificate record. This parameter can be configured with multiple values, and it defaults to the combination of `digitalSignature` and `keyEncipherment`. For a list of possible values and their descriptions, see "Key Usage Control."

**extended-key-usage-list**—Enter the extended key usage extensions you want to use with this certificate record. Default: `serverAuth`. For a list of possible values and their descriptions, see "Key Usage Control."

3. Type **done** to save your configuration.

To verify a certificate record, see "Security" in the *ACLI Configuration Guide*.

## Generate a Certificate Request

Using the ACLI **generate-certificate-request <record-name>** command allows you to generate a private key and a certificate request in PKCS10 PEM format.

### Note:

You can only perform this task after you configure a certificate record.

The Oracle® Enterprise Session Border Controller (E-SBC) stores the private key that is generated in the certificate record configuration in 3DES encrypted form with an internally generated password. The E-SBC displays the PKCS10 request in PEM (Base64) form.

You use this command for certificate record configurations that hold end-entity certificates. If you have configured the certificate record to hold a CA certificate, then you do not need to generate a certificate request because the CA publishes its certificate in the public domain. You import a CA certificate by using the ACLI **import-certificate <certificate-record-name>** command.

The **generate-certificate-request** command sends information to the CA to generate the certificate, but you cannot have Internet connectivity from the E-SBC to the Internet. You can access the Internet through a browser such as Internet Explorer if it is available, or you can save the certificate request to a disk and then submit it to the CA.

To run the applicable command, you must use the value you entered in the name parameter of the certificate record configuration. You run the command from the main Superuser mode command line, and then save and activate the configuration.

```
ACMEPACKET# security certificate request acmepacket
Generating Certificate Signing Request. This can take several
minutes....
```

```
-----BEGIN CERTIFICATE REQUEST-----
```

```
MIIB2jCCAUMCAQAwYTELMakGA1UEBhMCdXMxCzAJBgNVBAGTAK1BMRMwEQYDVQQQH
EwpCdXJsaW5ndG9uMRQwEgYDVQQKEwtFbmdpbmVlcm1uZzEMMAoGA1UECxMDYWJj
MQwwCgYDVQQDEwNhYmMwgZ8wDQYJKoZIhvcNAQEBBQADgY0AMIGJAoGBALOMLHo8
/qIOddIDVuqot0Y72l/BfH81olRkmhZQ4e7sS+zZHzbG8phzmzhfOSECnZiA2bEo
f+Nti7e7Uof4lLwiYl9fvhURfzhENOKThAPKPiJCzBBg1TITHTYa100Cq2fj5A8B
ZcuAHj7Vp5wP2zpz6EUTFpqTDMLVdwJGJrElAgMBAAGgOTAMBgNVHRExBRMDZGVm
```

```

MCKGA1UdDzEiEyBkaWdpdGFsU2lbnmF0dXJlLGtleUVuY2lwaGVybWVudDANBgkq
hkiG9w0BAQUFAAOBgQAtel4ZSLI8gqgMzodbYwgUHUGqTGeDzQDhJV5fKUXWeMFz
JsTmWn5Gy/kR4+Nq274G14fnk00fTafMtgQ5aL3gM43TqaPOTZjJ6qgwuRkHoBPI
7hkovkgAxHge7wClghiAp/ELdl7tQ515k04Bmd5f/fxG7nNiu8iEg7P000IBgg==
-----END CERTIFICATE REQUEST-----
WARNING: Configuration changed, run "save-config" command.
ACMEPACKET# save config
copying file /code/config/dataDoc.gz -> /code/config/dataDoc_3.gz
copying file /code/config/tmp/editing/dataDoc.gz ->
/code/config/dataDoc.gz
Save complete
ACMEPACKET# activate config
activate complete

```

## Import a Certificate Using the ACLI

For an end-entity certificate, after a certificate is generated using the ACLI security certificate request command, submit the request to a CA for generation of a certificate in PKCS7 or X509v3 format. When the certificate has been generated, you can import it into the Oracle® Enterprise Session Border Controller (E-SBC) using the security certificate import command.

The syntax is:

```

ACMEPACKET # security certificate import [try-all | pkcs7 | pkcs12 |
x509] [certificate-record file-name]

```

To import a certificate:

1. When you use the **import-certificate <certificate-record-name>** command, you can specify whether you want to use PKCS7, PKCS12, X509v3 format, or try all. In the command line, you enter the command, the format specification, and the name of the certificate record. The E-SBC prompts you to enter the certificate in PEM format. Paste the certificate in the ACLI. For example:

```

ACMEPACKET# security certificate import try-all acmepacket
The following displays:
Please enter the certificate in the PEM format.
Terminate the certificate with ";" to exit.....
-----BEGIN CERTIFICATE-----
VMIIDHzCCAoigAwIBAgIIAhMCUACEAHEwDQYJKoZIhvcNAQEFBQAwDELMAkGA1UE
BhMCMVVMxEzARBgNVBAGTCkNhbg1mb3JuaWEwETAPBgNVBACTCFhbiBkb3N1MQ4w
DAYDVQQKEwVzaXBpdDEpMCCcGA1UECXMgU2lwaXQgVGVzdCBDZXJ0aWZpY2F0ZSBB
dXRob3JpdHkwHhcNMDUwNDEzMjEzNzQzWhcNMDgwNDEyMjEzNzQzWjBUMQswCQYD
VQQGEwJVUzELMAkGA1UECBMCTUEwEzARBgNVBACTCk1lcXpmd0b24xZDASBgNV
BAoTC0Vuz2luZWVyaW5nMQ0wCwYDVQQDEwRhY211MIGfMA0GCSqGSIb3DQEBAQUA
A4GNADCBiQKgBQCXjIeOyFKAUB3rKkKK/+59LT+rlGuW7Lgc1V6+hftSr0co+ZsQ
bHFUWAA15qXUUBTLJG13QN5Vfg96f7gGAbWayfOS9Uymold3JPCUDoGgb2E7m8iu
vtq7gwjSeKNXAw/y7yWy/c04FmUD2U0pZX0CNIR3Mns5OAxQmq0bNYDhawIDAQAB
o4HdMIHaMBEGALUdeQQKMAiCBnBrdW1hcjAJBgNVHRMEAjaAMB0GALUdDgQWBBTG
tpodxa6Kmmn04L3Kg62t8BZJHTCBmgYDVR0jBjBGMIGPgBRrRhcU6pR2JYBUbhNU
2qhjVBShtqF0pHIwcDELMAkGA1UEBhMCMVVMxEzARBgNVBAGTCkNhbg1mb3JuaWEw
ETAPBgNVBACTCFhbiBkb3N1MQ4wDAYDVQQKEwVzaXBpdDEpMCCcGA1UECXMgU2lwa
aXQgVGVzdCBDZXJ0aWZpY2F0ZSBBdXRob3JpdHmCAQAwDQYJKoZIhvcNAQEFBQAD

```

```
gYEAbs8nUCi+cA2hC/lM49Sitvh8QmpL81KONApsoC4Em24L+DZwz3uInoWbjjJ
QhefcUfteNYkbuMH7LAK0hnDPvW+St4rQGvK6LJhZj7/yeLXmYWIPUY3Ux4OGVrd
2UgV/B2SOqH9Nf+FQ+mNZOL7EuF4IxSz9/69LuYlXqKsG4=
-----END CERTIFICATE-----;
Certificate imported successfully...
WARNING: Configuration changed, run "save-config" command.
```

2. Enter **save-config** to save the configuration.

```
ACMEPACKET# save-config
copying file /code/config/dataDoc.gz -> /code/config/dataDoc_3.gz
copying file /code/config/tmp/editing/dataDoc.gz ->
/code/config/dataDoc.gz
Save complete
```

3. Enter **activate-config** to activate as the current configuration.

```
ACMEPACKET# activate-config
activate complete
```

#### Note:

For importing a certificate using SFTP, see the Security section of the *ACLI Configuration Guide* for your E-SBC model.

## Import a Certificate Using SFTP

You can put the certificate file in the directory `/ramdrv` and execute the **import-certificate** command, or you can paste the certificate in PEM/Base64 format into the ACLI. If you paste the certificate, you may have to copy and paste it a portion at a time, rather than pasting the whole certificate at once.

1. SFTP the certificate file to the Oracle® Enterprise Session Border Controller (E-SBC) (directory `/ramdrv`). For the following example, suppose the name of the certificate file is `cert.pem`.
2. When the certificate is successfully transferred to the E-SBC, run the **import-certificate** command.

The syntax is:

```
ACMEPACKET# import-certificate [try-all|pkcs7|x509] [certificate-
record file-name]
```

Example results:

```
ACMEPACKET# import-certificate try-all acme cert.pem
Certificate imported successfully...
WARNING: Configuration changed, run "save-config" command.
```

3. Save the configuration.

```
ACMEPACKET# save-config
Save-Config received, processing.
waiting 1200 for request to finish
Request to 'SAVE-CONFIG' has Finished,
Save complete
Currently active and saved configurations do not match!
To sync & activate, run 'activate-config' or 'reboot activate'.
```

4. Synchronize and activate the configurations.

```
ACMEPACKET# activate-config
Activate-Config received, processing.
waiting 120000 for request to finish
Add LI Flows
LiSysClientMgr::handleNotifyReq
H323 Active Stack Cnt: 0
Request to 'ACTIVATE-CONFIG' has Finished,
Activate Complete
ACMEPACKET#
```

## PKCS #12 Container Import and Export Capability

The Oracle® Enterprise Session Border Controller (E-SBC) supports Public Key Cryptography Standard (PKCS) #12 for bundling a private key with the associated X.509 public key certificate in a file for archiving, importing, and exporting. The E-SBC does not support bundling all members of the chain of trust.

 **Note:**

The SBC only supports PKCS12 files that are bundled with either RSA or ECDSA private keys and their X.509 certificates.

E-SBC customers often need to use keys and certificates stored in the E-SBC for Transport Layer Security (TLS) packet analysis and network troubleshooting, or to share with another E-SBC or other device. The keys and certificates are packaged together and exchanged in the PKCS #12 archive file format.

 **Note:**

The E-SBC supports this functionality only by way of the ACLI.



## Export to a PKCS #12 File

You can export a local entity certificate from the Session Border Controller (SBC) to a PKCS #12 file by way of the ACLI. For the enterprise SBC, you cannot do so from the Web GUI.

### Note:

When prompted for password and passphrase, use the ones that you entered in system-config.

- Run the export-certificate command.

```
export-certificate <pkcs#12> <certificate-record-name> [pkcs-12-  
file-name]
```

where

- `certificate-record-name`—the name of the local entity certificate record that you want to export.
- `pkcs12-file-name`—the name of the target PKCS #12 file. The system creates the export file in the `/opt` directory. Use either `.pfx` or `.p12` for the file extensions.

```
ORACLE# export-pkcs12 masterca certificate.pfx  
Creating pkcs12 for certificate-record: (masterca)  
PKCS12 Certificate(s) exported successfully...  
ORACLE#
```

This command is supported only when using the RSA key exchange, not when using the Diffie-Hellman key exchange.

## Import a PKCS #12 File

You can import a PKCS #12 key and certificate file that was generated elsewhere into the Oracle® Enterprise Session Border Controller (E-SBC) by way of the ACLI.

Make sure that your PKCS#12 file was generated either with the `-descert` flag or the `-keypbe` and `-certpbe` options. If `rsa.key` is a private key and `cert.crt` is an X.509 certificate, either of the following commands generates a PKCS#12 file.

```
# generate using -descert  
openssl pkcs12 -export -in cert.crt -inkey rsa.key -out my_pkcs12.pfx  
-name "Test Cert" -descert  
# generate using -keypbe and -certpbe options  
openssl pkcs12 -export -in cert.crt -inkey rsa.key -out my_pkcs12.pfx  
-name "Test Cert" -keypbe PBE-SHA1-3DES -certpbe PBE-SHA1-3DES
```

1. Copy the PKCS#12 file to the `/opt` directory using SFTP.

## 2. Run the import-certificate command.

```
import-certificate <pkcs#12> <certificate-record-name> [pkcs-12-  
file-name]
```

where

- `certificate-record-name`—must be a new name that does not exist as PKCS #12. This is different from other certificate imports, where the certificate record must already exist in the target destination.
- `pkcs12-file-name`—the name of the PKCS #12 file that you want to import.

```
ORACLE# import-certificate pkcs12 newKey2 my2_pkcs12.pfx  
The specified certificate-record: (newKey2) does not exist.  
Creating one...  
Enter Import Password:  
Importing ee: newKey2  
Certificate(s) imported successfully...
```

```
-----  
WARNING:  
Configuration changed, run 'save-config' and  
'activate-config' commands to commit the changes.  
-----
```

```
ORACLE#
```

 **Note:**

512-bit keys are not supported.

## Securing Communications Between the E-SBC and SDM with TLS

You can use the Transport Layer Security (TLS) protocol to secure the communications link between the Oracle® Enterprise Session Border Controller (E-SBC) and the Oracle Communications Session Delivery Manager (SDM). Note that the systems use Acme Control Protocol (ACP) for this messaging.

To configure the E-SBC to use TLS for this ACP messaging:

1. Configure a TLS profile. The `tls-profile` object is located under `security`, where you add certificates, select cipher lists, and specify the TLS version for each profile.
2. Configure system-config element's `acp-tls-profile` parameter to specify this TLS profile.

The `acp-tls-profile` parameter is empty by default, which means that ACP over TLS is disabled. When ACP over TLS is disabled, the SDM establishes a TCP connection with the E-SBC. When the `acp-tls-profile` parameter specifies a valid TLS profile, the E-SBC negotiates a TLS connection with SDM.

 **Note:**

This feature requires SDM version 8.1 and above.

## Configuring a TLS Profile

To configure a TLS profile:

1. In Superuser mode, type **configure terminal** and press Enter.

```
ACMEPACKET# configure terminal
```

2. Type **security** and press Enter to access the security-related objects.

```
ACMEPACKET(configure)# security
```

3. Type **tls-profile** and press Enter to access the TLS profile-related parameters.

```
ACMEPACKET(security)# tls-profile
```

```
ACMEPACKET(tls-profile)#
```

**name**—Enter the name of the TLS profile. This parameter is required; you cannot leave it empty.

```
ACMEPACKET(tls-profile)# name tls-prof1
```

**end-entity-certificate**—Enter the name of the entity certification record.

```
ACMEPACKET(tls-profile)# end-entity-certificate cert1
```

**trusted-ca-certificates**—Enter the names of the trusted CA certificate records.

```
ACMEPACKET(tls-profile)# trusted-ca-certificates cert1
```

 **Note:**

To create and import certificate records to be used on the Web Server, see [Configuring Certificates](#).

**cipher-list**—Not supported for SIP Monitor and Trace. The Session Director ignores any value you enter for this parameter.

- AES256-SHA (**TLS\_RSA\_WITH\_AES\_256\_CBC\_SHA**) - Firefox (version 12) and Chrome (version 19.0.1084.46m) only
- AES128-SHA (**TLS\_RSA\_WITH\_AES\_128\_CBC\_SHA**) - Firefox (version 12) and Chrome (version 19.0.1084.46m) only
- DES-CBC-SHA (**SSL\_RSA\_WITH\_DES\_CBC\_SHA** or **TLS\_RSA\_WITH\_DES\_CBC\_SHA**) - Internet Explorer (Version 9) only

**verify-depth**—Not supported for SIP Monitor and Trace

**mutual-authenticate**—Not supported for SIP Monitor and Trace

**tls-version**—Enter the TLS version you want to use with this TLS profile. Default is compatibility. Valid values are:

- TLSv1
- SSLv3
- compatibility (default)

```
ACMEPACKET(tls-profile)# tls-version TLSv1
```

**cert-status-check**—Not supported for SIP Monitor and Trace

**cert-status-profile-list**—Not supported for SIP Monitor and Trace

**ignore-dead-responder**—Not supported for SIP Monitor and Trace

**allow-self-signed-cert**—Not supported for SIP Monitor and Trace

4. Enter **done** to save the tls-profile configuration.

```
ACMEPACKET(tls-profile)# done
```

5. Enter **exit** to exit the TLS profile configuration.

```
ACMEPACKET(tls-profile)# exit
```

6. Enter **exit** to exit the security configuration.

```
ACMEPACKET(security)# exit  
ACMEPACKET(configure)#
```

7. Enter **exit** to exit the configure mode.

```
ACMEPACKET(configure)# exit
```

8. Enter **save-config** to save the configuration.

```
ACMEPACKET# save-config
```

9. Enter **activate-config** to activate as the current configuration.

```
ACMEPACKET# activate-config
```

## Management Commands for the Web Server

The following commands allow you to display information for managing the Web server used for accessing the GUI.

---

Command	Description
show ip connections	Displays information about the server connections.

---

Command	Description
show users	Displays information about users logged into a session on the server.
kill <index>	Terminates a session on the server.

## Show ip connections Command

The **show ip connections** command allows you to display information about active server Transport Control Protocol (TCP) and/or User Datagram Protocol (UDP) connections. For example, this command can show the sockets tied to an HTTPS connection. The following is an example of the show ip connections command output.

```
ACMEPACKET# show ip connections
Active Internet connections (including servers)
PCB      Proto Recv-Q Send-Q Local Address          Foreign
Address  (state)
-----  -----
75059a0  TCP      0      0 172.30.80.231.1538
172.30.0.39.58497      TIME_WAIT
7506420  TCP      0      0 172.30.80.231.443
10.1.20.14.51006      TIME_WAIT
75044a0  TCP      0      0 172.30.80.231.443
10.1.20.14.51000      TIME_WAIT
7504f20  TCP      0      0 172.30.80.231.443
10.1.20.14.50997      TIME_WAIT
7503f60  TCP      0      0 127.0.0.1.3000
127.0.0.1.1064        ESTABLISHED
7503a20  TCP      0      0 127.0.0.1.3000
127.0.0.1.1063        ESTABLISHED
75034e0  TCP      0      0 127.0.0.1.3000
127.0.0.1.1062        ESTABLISHED
7502fa0  TCP      0      0 127.0.0.1.3000
127.0.0.1.1061        ESTABLISHED
7502a60  TCP      0      0 127.0.0.1.3000
127.0.0.1.1060        ESTABLISHED
7502520  TCP      0      0 127.0.0.1.1063
127.0.0.1.3000        ESTABLISHED
7501fe0  TCP      0      0 127.0.0.1.1062
127.0.0.1.3000        ESTABLISHED
7501aa0  TCP      0      0 127.0.0.1.1061
127.0.0.1.3000        ESTABLISHED
```

The following table describes each column in the above output.

Column Heading	Description
PCB	Printed circuit board in the server that is active on the connection.
Proto	Protocol used on this connection. Valid values are: TCP - Transport Control Protocol UDP - User Datagram Protocol

Column Heading	Description
Recv-Q	Receiving queue - pertains to the queue on the server that receives packets from the Internet. This column should always display a zero (0). Packets should not be piling up in this queue.
Send-Q	Sending queue - pertains to the queue on the server that sends out packets to the Internet. This column should always display a zero (0). Packets should not be piling up in this queue.
Local Address	Local server's IP address and port number, or IP address and the name of a service.
Foreign Address	Hostname and service, or IP address and port number to which you are connected. The asterisk is a placeholder for IP addresses, which of course cannot be known until a remote host connects.
(state)	Current state of the TCP or UDP connection. TCP states can be: LISTEN waiting to receive a connection ESTABLISHED a connection is active TIME_WAIT a recently terminated connection; this should last only a minute or two, then change back to LISTEN. The socket pair cannot be re-used as long the TIME_WAIT state persists. UDP is stateless, so the "State" column is always blank.

## Show users Command

The **show users** command displays information about users currently logged into a session on the server. Each user is indicated by an index number. The following is an example of the show users command output.



### Note:

The index number for Web sessions always begins at 31.

```
ACMEPACKET# show users
Index task-id  remote-address      IdNum duration type  state
User
-----
0 0x33a4c394          0 00:01:20 console user *
console
31 NA                10.1.20.14:51218    31 00:00:55 http  user
user
32 NA                10.1.20.14:443     32 00:00:29 https user
user
```

The following table describes each column in the above output.

Column Heading	Description
Index	Number that the server assigns to the user as an identification of that user. Note: The index for Web sessions always begins at index 31.

Column Heading	Description
Task-id	Alpha-numeric number that the server assigns to the task currently being performed. This is the session ID assigned to the task at log-in time. This field is not applicable to the Web server.
Remote-address	IP address and port number for which the server is connected.
IdNum	Identification number of the user currently logged into the server. This number is the same as the Index number.
Duration	Amount of time, in hours, minutes, and seconds, that the user has currently been logged into a session on the server. Format is HH:MM:SS.
Type	Type of service that the user is currently using for connection to the server. Valid values can be: Console User is connected to the server via a local console. HTTP User is connected to the server using a Web HTTP service. HTTPS User is connected to the server using a secure Web HTTPS service.
State	Current state of the connection on the server. Valid values are: admin user Note: An "*" indicates a current connection.
User	Current user type logged into the server. Valid values are: console user admin

## Kill <index> Command

The kill <index> command terminates a session on the server. The following example uses the "show users" command to display the index number to use with the kill <index> command.

```
ACMEPACKET# show users
Index task-id  remote-address      IdNum duration type    state
User
-----
-----
      0 0x33a4c394                0 00:01:20 console user *
console
      31   NA          10.1.20.14:51218    31 00:00:55   http  user
user
      32   NA          10.1.20.14:443     32 00:00:29   https user
user

ACMEPACKET# kill 31
```

The kill 31 command terminates the Web server session number 31.

After setting the Web server configuration, you can view the stored monitored data from the Oracle® Enterprise Session Border Controller (E-SBC) using the GUI through an Internet browser. For more information about the GUI, see Configuring TLS on the Web Server.

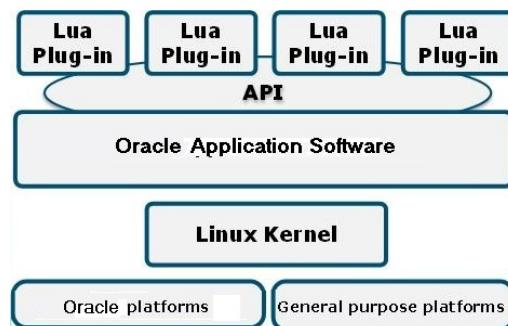
# 19

## Session Plug-In Language

### Oracle SPL Plug-ins

An SPL is an Oracle signed plug-in that integrates with the Oracle® Enterprise Session Border Controller (E-SBC) application software to quickly add feature extensions without requiring a software upgrade or causing operational impacts. Each SPL plug-in is an executable, customized script that is based on the Lua open scripting language. Oracle SPL plug-ins allow you to add enhancements when you need them, rather than waiting for the next software release.

The following illustration shows how an SPL plug-in integrates with the E-SBC platform.



The system includes the SPL engine that runs the SPL plug-in scripts and each release supports a number of versions of the SPL engine. For a list of supported versions, see "System Programming Language (SPL) Engine Support".

The SPL can run on any platform with an ANSI C compiler. You can use the SPL with Header Manipulation Rules by way of the E-SBC ACLI configuration.

### SNMPv1v2 Community Configuration

SNMPv1v2 community configuration consists of setting a community name, an access mode and IP addresses of the servers. Configurations accept multiple addresses. You can provide both READ and WRITE mode to a single manager by creating two objects with different names and access modes, but the same IP address.

Determine your planned name, address type (IPv4 vs IPv6) and modes before starting.



## Supported SPL Engines

Each release supports a number of versions of the SBC Programming Language (SPL) engine, which is required to run SPL plug-ins on the Oracle® Enterprise Session Border Controller (E-SBC).

This release supports the following versions of the SPL engine.

- C2.0.0
- C2.0.1
- C2.0.2
- C2.0.9
- C2.1.0
- C2.1.1
- C2.2.0
- C2.2.1
- C2.3.1
- C3.0.0
- C3.0.1
- C3.0.2
- C3.0.3
- C3.0.4
- C3.0.6
- C3.0.7
- C3.1.0
- C3.1.1
- C3.1.2
- C3.1.3
- C3.1.4
- C3.1.5
- C3.1.6
- C3.1.7
- C3.1.8
- C3.1.9

Use the `show spl` command to see the version of the SPL engine running on the E-SBC.

## Load and Enable an SPL Plug-in

Some System Programming Language (SPL) plug-ins require manual loading onto the Oracle® Enterprise Session Border Controller (E-SBC).

The process to load and enable an SPL includes the following steps.

1. Upload the SPL to the E-SBC. See "Upload an SPL Plug-in."
2. Add the SPL to the E-SBC configuration. See "Add an SPL Plug-in to your Configuration."
3. In a High Availability (HA) deployment, synchronize the SPL files across the HA pair. See "Synchronize an SPL Plug-in File Across an HA Pair."

### Upload an SPL Plug-in

Manually send the SPL plug-in to the /code/spl directory.

### Add an SPL Plug-in to the Configuration

You must add an SBC Programming Language (SPL) plug-in file to the `spl-config` element before the system can execute the plug-in. The system ignores any SPL plug-in that exists in the /code/spl directory that is not included in the `spl-config` element.

#### Before You Begin

- Confirm that you have Superuser permissions

In the following procedure, you add the name of one or more SPL plug-ins to the **spl-config** configuration element. Note that the system executes SPL plug-ins in the order in which they were configured.

#### Procedure

1. Access the **spl-config** configuration element.

```
ORACLE# configure terminal
ORACLE(configure)# system
ORACLE(system)# spl-config
ORACLE(spl-config)#
```

2. Type **plugins** , and press Enter. The system prompt changes to let you know that you can begin configuring individual parameters.

```
ACMESYSTEM(spl-config)# plugins
ACMESYSTEM(spl-plugins)#
```

3. Type **name**, a space, and the name of the SPL file.

```
ACMESYSTEM(spl-plugins)#name MediaPlayback.1.0.spl
ACMESYSTEM(spl-plugins)#name LyncEmergencyCall.1.0.spl
ACMESYSTEM(spl-plugins)#name SipHeaderExtensionMetadata.1.2.spl
ACMESYSTEM(spl-plugins)#name UniversalCallId.1.spl
ACMESYSTEM(spl-plugins)#name ComfortNoiseGeneration.1.1.spl
```

4. Type **done** to save your work.
5. Save and activate the configuration.

#### Next Steps

- If your deployment supports a High Availability (HA) pair configuration, see "Synchronize SPL Files Across HA Pairs."

## Synchronize SPL Plug-in Files Across an HA Pair

In a High Availability (HA) configuration, both the active and the standby systems require the same version of the SBC Programming Language (SPL) plug-in script.

There is no means to synchronize SPL files automatically during a save and activate after you add SPL files to the configuration. To configure the standby system, execute the **synchronize spl** CLI command. Note that the system only executes the **synchronize spl** command from the active system in a HA pair.

To copy all files in the `/code/spl` directory from the active system to the same directory on the standby do not include any arguments. Note that this procedure overwrites any existing files on the standby system with the same name.

To copy individual files, add the specific filename as an argument to the **synchronize spl** command, for example,

```
ACMEPACKET#synchronize spl MediaPlayerback.1.0.spl
ACMEPACKET#synchronize spl LyncEmergencyCall.1.0.spl
ACMEPACKET#synchronize spl SipHeaderExtensionMetadata.1.2.spl
ACMEPACKET#synchronize spl UniversalCallId.1.spl
ACMEPACKET#synchronize spl ComfortNoiseGeneration.1.1.spl
```

#### Procedure

- In Superuser mode, type **synchronize spl**, and press Enter.

```
ACMEPACKET# synchronize spl
```

## SBC Deployment Behind a NAT Device

Use the **Support for SBC Behind NAT** SPL plug-in for deploying the Oracle® Enterprise Session Border Controller (E-SBC) on the private network side of a Network Address Translation (NAT) device. The **Support for SBC Behind NAT** SPL plug-in changes information in SIP messages to hide the end point located inside the private network. The specific information that the **Support for SBC Behind NAT** SPL plug-in changes depends on the direction of the call, for example, from the NAT device to the E-SBC or from the E-SBC to the NAT device.

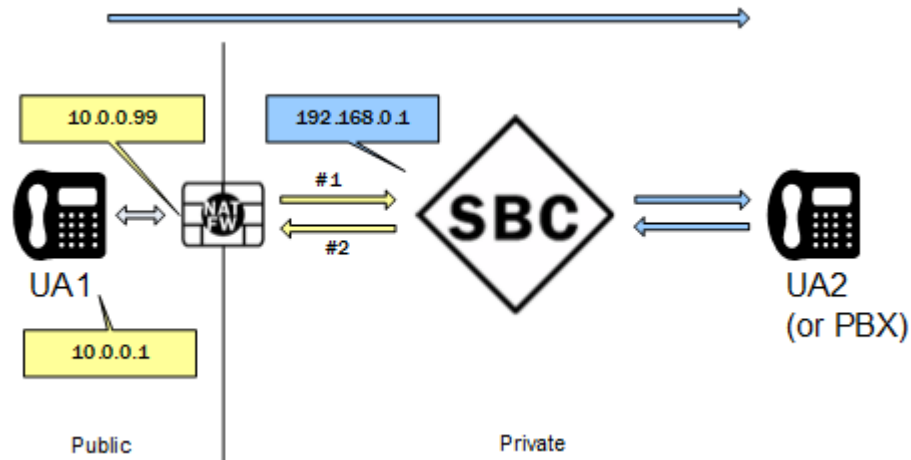
Configure the **Support for SBC Behind NAT** SPL plug-in for each SIP interface that is connected to a NAT device. One public-private address pair is required for each SIP interface that uses the SPL plug-in, as follows.

- The private IP address must be the same as the SIP Interface IP address.
- The public IP address must be the public IP address of the NAT device.

The following illustrations show the SBC deployed in the private network behind a NAT device, using the **Support for SBC Behind NAT** SPL plug-in. Examples follow each illustration to show where the **Support for SBC Behind NAT** SPL plug-in changes the SIP message information.

### Call Initiated on the Access Side

In the following illustration, UA1 invites UA2 to a session and UA2 responds.



#1. UA1 sends an INVITE through the NAT device to the Oracle® Enterprise Session Border Controller with the following message.

```
INVITE sip:service@10.0.0.99:5060 SIP/2.0
Via: SIP/2.0/UDP 10.0.0.1:5060;branch=z9hG4bK-3539-1-0
Contact: sip:sipp@10.0.0.1:5060
...
Content-Type: application/sdp

o=user1 53655765 2353687637 IN IP4 10.0.0.1
c=IN IP4 10.0.0.1
...
```

The **Support for SBC Behind NAT** SPL plug-in looks for the public SIP Interface IP address 10.0.0.99 in R-URI, Via, Contact, and SDP. The SPL plug-in finds 10.0.0.99 in R-URI and changes it to the private SIP Interface IP address 192.168.0.1.

```
INVITE sip:service@192.168.0.1:5060 SIP/2.0
Via: SIP/2.0/UDP 10.0.0.1:5060;branch=z9hG4bK-3539-1-0
Contact: sip:sipp@10.0.0.1:5060
...
Content-Type: application/sdp

o=user1 53655765 2353687637 IN IP4 10.0.0.1
c=IN IP4 10.0.0.1
...
```

#2. The Oracle® Enterprise Session Border Controller sends a Reply to UA1.

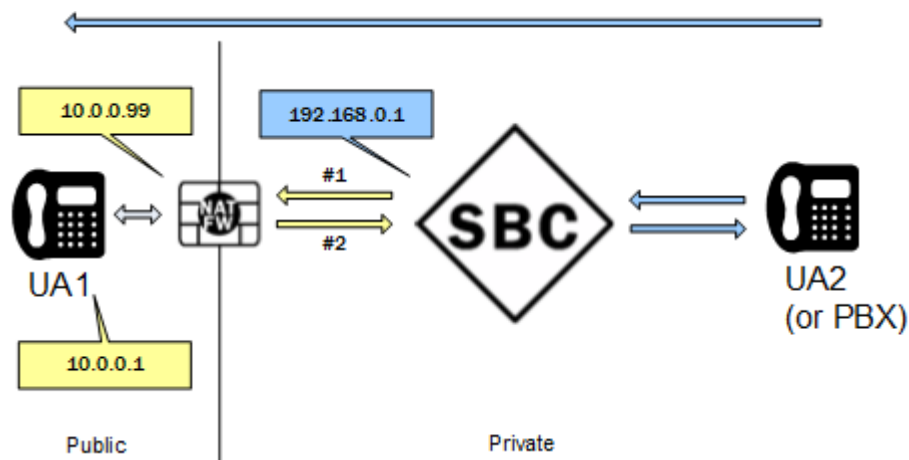
```
SIP/2.0 200 OK
Via: SIP/2.0/UDP
10.0.0.1:5060;received=192.168.0.70;branch=z9hG4bK-3539-1-0
Contact: <sip:192.168.0.1:5060;transport=udp>
Content-Type: application/sdp
...
o=user1 53655765 2353687637 IN IP4 192.168.0.1
c=IN IP4 192.168.0.1
...
```

The **Support for SBC Behind NAT** SPL plug-in looks for the private SIP interface IP address 192.168.0.1 in R-URI, Via, Contact, and SDP. The SPL plug-in finds 192.168.0.1 in Contact and SDP and changes it to the public IP 10.0.0.99.

```
SIP/2.0 200 OK
Via: SIP/2.0/UDP
10.0.0.1:5060;received=192.168.0.70;branch=z9hG4bK-3539-1-0
Contact: <sip:10.0.0.99:5060;transport=udp>
Content-Type: application/sdp
...
o=user1 53655765 2353687637 IN IP4 10.0.0.99
c=IN IP4 10.0.0.99
...
```

### Call Initiated on the Core Side

In the following illustration, UA2 invites UA1 to a session and UA1 responds.



#1. The Oracle® Enterprise Session Border Controller sends an Invite to UA1.

```
INVITE sip:service@10.0.0.1:5060 SIP/2.0
Via: SIP/2.0/UDP 192.168.0.1:5060;branch=z9hG4bKbgs21h30a8kh8okcv790.1
Contact: <sip:sipp@192.168.0.1:5060;transport=udp>
Content-Type: application/sdp
...
o=user1 53655765 2353687637 IN IP4 192.168.0.1
```

```
c=IN IP4 192.168.0.1
...
```

The **Support for SBC Behind NAT** SPL plug-in looks for the private IP address 192.168.0.1 in R-URI, Via, Contact, and SDP. The SPL plug-in finds 192.168.0.1 in Via, Contact, and SDP and changes it to the public IP address 10.0.0.99.

```
INVITE sip:service@10.0.0.1:5060 SIP/2.0
Via: SIP/2.0/UDP 10.0.0.99:5060;branch=z9hG4bKbgs21h30a8kh8okcv790.1
Contact: <sip:sipp@10.0.0.99:5060;transport=udp>
Content-Type: application/sdp
...
o=user1 53655765 2353687637 IN IP4 10.0.0.99
c=IN IP4 10.0.0.99
...
```

#2. UA1 sends a Reply to the Oracle® Enterprise Session Border Controller.

```
SIP/2.0 200 OK
Via: SIP/2.0/UDP 10.0.0.99:5060;branch=z9hG4bKbgs21h30a8kh8okcv790.1
Contact: <sip: 10.0.0.1:5060;transport=UDP>
Content-Type: application/sdp
...
o=user1 53655765 2353687637 IN IP4 10.0.0.1
c=IN IP4 10.0.0.1
...
```

The **Support for SBC Behind NAT** SPL plug-in looks for the private SIP interface IP address 192.168.0.1 in R-URI, Via, Contact, and SDP. The SPL plug-in finds 192.168.0.1 in Via, changes it to the public IP 10.0.0.99.

```
SIP/2.0 200 OK
Via: SIP/2.0/UDP 192.168.0.1:5060;branch=z9hG4bKbgs21h30a8kh8okcv790.1
Contact: <sip: 10.0.0.1:5060;transport=UDP>
Content-Type: application/sdp
...
o=user1 53655765 2353687637 IN IP4 10.0.0.1
c=IN IP4 10.0.0.1
...
```

## Configure the Session Border Controller (SBC) Behind a Network Address Translation (NAT) Device Option

Configure one public-private address pair for each SIP interface that uses the **Support for SBC Behind NAT** SPL plug-in, as follows.

- The private IP address must be the same as the SIP interface IP address.
- The public IP address must be the public IP address of the NAT device.

Before You Begin

- Confirm that the SIP interface is configured.

- Confirm that you are in the Superuser mode.

To configure the SIP interface IP addresses:

1. Type **configure terminal**, and press <Enter>.

```
ORACLE# configure terminal
```

2. Type **system**, and press <Enter>.

```
ORACLE(configure)# system
ORACLE(system)#
```

3. Type **session-router**, and press <Enter>.

```
ORACLE(configure)# session-router
ORACLE(session-router)#
```

4. Type **sip-interface**, and press <Enter>.

```
ORACLE(session-router)# sip-interface
ORACLE(sip-interface)#
```

5. Select the SIP interface, and press <Enter>.

```
ORACLE(sip-interface)# select
<RealmID>:
1: DefaultENT 172.16.1.100:5060
2: DefaultSP 192.168.0.1:5060

selection:2
System_Primary(sip-interface)#
```

6. Type **spl-options +HeaderNatPrivateSipIfIp "<value>"**, where <value> is the private SIP interface IP address, and press <Enter>.

```
ORACLE(sip-interface)#spl-options
+HeaderNatPrivateSipIfIp=192.168.0.1
```

7. Type **spl-options +HeaderNatPublicSipIfIp "<value>"**, where <value> is the public IP address of the NAT device, and press <Enter>.

```
ORACLE(sip-interface)#spl-options +HeaderNatPublicSipIfIp=10.0.0.99
```

8. Type **done**, and press <Enter>.
9. Save and activate the configuration.

## Import and Export the E-SBC Configuration

You can import and export the Oracle® Enterprise Session Border Controller (E-SBC) configuration to and from a Comma Separated Value (CSV) file with the Import Export SPL plug-in. The Import Export SPL plug-in is enabled by default. No configuration is required.

## Import and Export Restrictions

The list describes the restrictions that the system enforces when importing and exporting the Oracle® Enterprise Session Border Controller (E-SBC) configuration.

- Files are read/written to the volatile directory of the file system on the E-SBC.
- Import and export occurs to and from the editing configuration.
- The system displays all error messages on the screen where the command was issued and provides line numbers with the error, when possible.
- The system does not allow you to set objects and attributes to inappropriate values. For example, you cannot set an IP address to "enabled". Parsing continues as normal after this error.
- If the system cannot write an object, for example, when the key field is missing, the system discards the object and parsing continues as normal.
- The import is additive. Each object that is imported is expected to be new to the configuration. If there is already an object with the same key present, the system generates the 409 error and discards the object. Parsing continues as normal after the error.

## Configuration CSV Files

The Oracle® Enterprise Session Border Controller (E-SBC) import feature uses the import and export SPL plug-in. You must use a spreadsheet application, such as MS-Excel, that supports .csv files.

The following rules apply when entering configuration data into the .csv file.

- Empty lines are ignored
- The first non-empty line must be the keyword "object:", followed by the configuration object name that is being configured (shown below as sip-interface).

Example: `object:sip-interface`

- The second non-empty line must be the parameter names of the objects to be configured, each parameter name in its own column. This row defines the labels for each column for the subsequent rows. Only the attributes that you want defined need to be present. You can specify the parameter names in any order, but the data in subsequent rows must be consistent with the labels that you define in this row.

Example: `state,realm-id,description`

- The third non-empty rows define values for the configuration object, each instance in its own column. In the following example, the third line defines a new sip-interface with state "enabled", realm-id "public", and description "public SIP interface". These values are based on the labels defined in the second row.

Example: `enabled,public,public SIP interface`



 **Note:**

The Description field displays all text as one continuous line, unless you insert line breaks. When you want to insert line breaks in the Description field, for example between sentences that you want displayed on separate lines, do the following:

- From the GUI, in the Description field of a Configuration object, add Line1 to the end of the line where you want the first break to occur. Add Line2 to the end of the next line where you want a break to occur, and so on.
- In a .csv configuration file, add \010 to the end of the line where you want the first break to occur. Add \010 to the end of the next line where you want a break to occur.

- On all subsequent rows, you can define any number of instances.
- The next row with an “object” keyword selects a new configuration object that is based on the previous object. You continue to input the data for this object according to the rules stated above. The following example shows a “sip-port” object added that is related to the sip-interface object.

```
Example: object:sip-port
        address,port,transport-protocol
        192.168.1.1,5060,UDP
        192.168.1.1,5061,TCP
```

In this example, “sip-port” is a sub-object of “sip-interface” and would create new sip-ports off of the last sip-interface instance (of realm-id public).

## Create a CSV File

To create a Oracle® Enterprise Session Border Controller (E-SBC) configuration using a CSV file:

1. Open an application that supports a CSV file, for example, MS-Excel.
2. In the first row, first column, enter object: followed by a configuration object that you want to import.

```
object:sip-interface
```

3. In the second row, and each in its own column, enter the parameter names of the objects to configure.

```
state,realm-id,description
```

4. In the third row, and each in its own column, enter the values for the configuration objects.

```
enabled,public,public SIP interface
```

5. In subsequent rows, define additional values, if any.

- In the next empty row, first column, enter another object if required, related to the first object (sip-interface).

object:sip-port

- Repeat steps 3 through 5 for this object. The following is an example of a CSV file containing the “sip-interface” and sip-port objects.

	A	B	C	D	E	F
1	object:sip-interface					
2	state	realm-id	description			
3	enabled	public	public SIP interface			
4	object:sip-port					
5	address	port	transport-protocol			
6	192.168.1.1	5060	UDP			
7	192.168.1.1	5061	TCP			
8						

- Save the file as a comma-separated value file (.csv). For example,

mnesd\_config.csv

- Close the file.

## Enter Configuration Data Using a Text File

You can create a configuration by entering the required data into a text file and then use an application, such as Excel, to open and save the file as a CSV file. You must enter the information in the text file in the exact format as shown in the following example so that the labels go to the correct columns in the Excel application.

	A	B	C	D
1	object:sip-interface			
2	state	realm-id	description	
3	enabled	public	public SIP interface	
4	object:sip-port			
5	address	port	transport-protocol	
6	192.168.1.1	5060	UDP	
7	192.168.1.1	5061	TCP	

**Procedure**

1. Enter the required configuration data in a text file according to the format in the previous illustration.
2. Save and close the file.
3. Open an application that supports a CSV file, for example, MS-Excel.
4. Browse for the SPL text file and open it. The configuration data opens in the correct columns within the application.

	A	B	C	D
1	object:sip-interface			
2	state	realm-id	description	
3	enabled	public	public SIP interface	
4	object:sip-port			
5	address	port	transport-protocol	
6	192.168.1.1	5060	UDP	
7	192.168.1.1	5061	TCP	

5. Save the file as a comma-separated value file (.csv). For example,

```
nnesd_config.csv
```

6. Close the file.

## Import a CSV Configuration File

After you create a CSV file that contains the Oracle® Enterprise Session Border Controller (E-SBC) configuration, you can import the file into the E-SBC using the **spl load acli config-csv** command.

The **spl load acli config-csv** command loads the CSV file from the volatile file system (/var), into the editing configuration of the E-SBC.

```
spl load acli config-csv <filename>
```

1. Access the E-SBC locally through the console connection or remotely through an SSH connection.
2. Transfer the CSV file to the volatile file system (/var) on the E-SBC.
3. At the prompt, type the password for entering the ACLI, and press Enter.
4. Enter `enable` to access the Superuser mode, followed by the password, and press Enter.
5. At the prompt, type **delete-config cached** to clear the current editing configuration on the E-SBC to prevent conflicts.

```
Oracle# delete-config cached
```

6. Type **spl load acli config-csv <filename>**, and press Enter. For example:

```
Oracle# spl load acli config-csv esd-config.csv
```

The E-SBC imports the CSV file containing the configuration you specified into the editing configuration.

7. Type **save**, and press Enter.
8. Type **activate**, and press Enter. The imported configuration data becomes part of the editing configuration on the E-SBC.

The following code block shows an example of the imported configuration.

```
sip-interface
state enabled
realm-id public
description public SIP interface
sip-port
address 192.168.1.1
port 5060
transport-protocol UDP
sip-port
address 192.168.1.1
port 5061
transport-protocol TCP
```

 **Note:**

If you need to undo the import, run the **restore-backup-config running** command to restore the editing configuration that existed before you performed the import.

## Export an E-SBC Configuration to a CSV File

You can export an existing configuration from the Oracle® Enterprise Session Border Controller (E-SBC) to a CSV file that you name, using the following command:

```
spl save acli config-csv <filename>
```

The E-SBC saves the configuration in the /var directory.

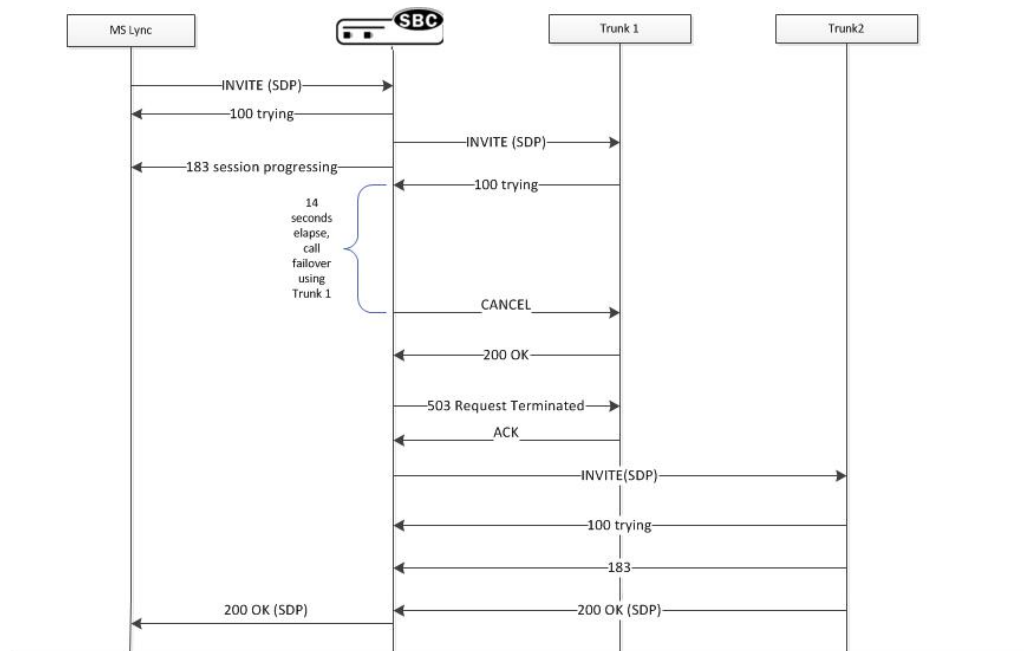
## Lync Emergency Call SPL Plug-in

When using the Oracle® Enterprise Session Border Controller (E-SBC) as a gateway for E911, service providers may require a Post-dial-delay of 6 seconds or greater to receive an 18x message and progress the session. Microsoft Lync emergency calls have an internal timer of 10 seconds to route advance to the alternate gateway in the event no 18x message is received. The Lync Emergency Call SPL plug-in responds to the initial INVITE with the 183 message, allowing the E-SBC to ensure normal call delivery when there is Post-dial-delay on egress routes that exceed the Lync emergency call timer.

When enabled, the **return\_183\_on\_initial\_invite** SPL plug-in sends a provisional 183 session progressing message to Lync when the E-SBC receives the initial INVITE request. This satisfies the 10 second emergency call timer.

The E-SBC monitors the primary and secondary trunks with a SIP OPTIONS ping. If the primary trunk is unavailable, the system automatically fails over to the second destination in session-group and completes the call.

In the following example, the E-SBC replies to an emergency call INVITE from Lync with a SIP 183 message. Lync moves the call and dialog to RFC 3261 Timer C (180 seconds), allowing sufficient time to complete the call and to find the nearest PSAP (Public Safety Answering Point) with the primary trunk. If the primary trunk is unavailable (The system monitors the two trunks with a SIP OPTIONS ping), the system routes the emergency call by failing over to a secondary trunk to complete the call.



## Set Lync Emergency Call Options on Realms, Session Agents, and SIP Interfaces

You can configure the **return\_183\_initial\_invite** option on each **session-agent**, **realm-config**, or **sip-interface** that interacts with Microsoft Lync. This option is not recognized in the global `spl-config` and is required for SPL functionality.

1. In Superuser mode, type **configure terminal**, and press Enter.

```
ACMEPACKET# configure terminal
```

2. Type **session-router**, and press Enter.

```
ACMEPACKET(configure)# session-router
ACMEPACKET(session-router)#
```

3. Type **session-agent**, and press Enter.

```
ACMEPACKET(session-router)# session-agent
ACMEPACKET(session-agent)#
```

4. Type **spl-config**, and press Enter.

```
ACMEPACKET(session-agent)# spl-config
ACMEPACKET(spl-config)#
```

5. Type **spl-options +return\_183\_initial\_invite**.

```
ACMESYSTEM(spl-config)# spl-options +return_183_initial_invite
```

6. Type **done** to save the configuration.

## Example Playback-on-Refer Configuration

The following code block shows an example of a playback-on-refer configuration:

```
session-router
  session-agent
    spl-config
      spl-options          +return_183_on_initial_invite
```

## Inserting SIP Headers into SIPREC Metadata

The SIPREC Extension Data Enhancements SPL provides additional header information in the originating SIP messages metadata sent to the Interactive Session Recorder. With this SPL, you can introduce more options for recording policy decisions when using the SIPREC feature of the Oracle® Enterprise Session Border Controller (E-SBC). The enhanced metadata also allows for the realm-id to be used as an indicator of the recording account. The SPL also provides configurable values that collect additional header information to store in the metadata.

When the SPL is configured, the SIPREC Extension Data Enhancements SPL is only triggered upon INVITE/UPDATE requests, and stores the additional header information in the metadata that is sent to the Interactive Session Recorder (NN-ISR). Metadata is a XML MIME attachment that describes recording details to the ISR.

By default, the **Extension-Headers** SPL option collects only the Request-URI in a received INVITE. You can store additional header information by configuring the SPL with additional attributes in the **spl-options** under the global **spl-config**. The values must be in a comma separated list enclosed in double quotation marks. For example:

```
Extension-Headers="P-Asserted-Identity,Diversion"
```

This configuration of the **Extension-Headers** option adds the originating Request-URI along with all P-Asserted-Identity and Diversion-Headers into the participant section of the metadata.

You can configure the **LRE-Identifier** SPL option to add an identifier of the logical remote entity (LRE) that triggered the recording to the <apkt:realm> element of the

extension metadata. When configured with a value added, the value appears in place of the identifier. When configured without a value, the identifier of the logical remote entity is used. For example, session-agent will be the hostname, realm-config will be the realm, and sip-interface will be the realm name.



#### Note:

Both options are required for the SPL to function properly.

## Sample Metadata

The sample below shows metadata with new extension data added by the SIPREC Extension Data Enhancements SPL (New metadata appears in bold):

```
<?xml version='1.0' encoding='UTF-8'?>
  <recording xmlns='urn:ietf:params:xml:ns:recording'>
    <datamode>complete</datamode>
    <session id="BYiC7uSZQGN3VQdzWl1HWw==">
      <associate-time>2012-06-26T13:44:13</associate-time>
    </session>
    <participant id="hq18GJs3TtJdhjPsfPNV8A=="
session="BYiC7uSZQGN3VQdzWl1HWw==">
      <nameID aor="sip:sipp@192.168.10.1">
        <name>sipp</name>
      </nameID>
      <send>aD50KX+LTvxNzASg+/GQTg==</send>
      <associate-time>2012-06-26T13:44:13</associate-time>
      <extensiondata xmlns:apkt="http://acmepacket.com/
siprec/extensiondata">
        <apkt:callingParty>>true</apkt:callingParty>
        <apkt:request-
uri>sip:service@192.168.101.13:5060 </apkt:request-uri>
        <apkt:in-realm>net192</apkt:in-realm>
        <apkt:header label=P-Asserted-Identity>
          <value>sip:mike@acme.com</value>
          <value>sip:bob@cisco.com</value></apkt:header>
        <apkt:header label=Diversion>
          <value>&lt;sip:jojo@divert.com&gt;;happy=days;green=envy</value>
          <value>&lt;sip:bebe@MediaTen.net&gt;;green=monster;go=carts</value>
          <value>&lt;tel:
+8675309;night=mare&gt;;gear=head;green=monitor</value></apkt:header>
        </extensiondata>
      </participant>
    <participant id="Ki6WEUi4TPRUPLtEaEhA7Q=="
session="BYiC7uSZQGN3VQdzWl1HWw==">
      <nameID aor="sip:service@192.168.101.13">
        <name>sut</name>
      </nameID>
      <send>f9NDVhyMTul+ePlM2SceQA==</send>
      <associate-time>2012-06-26T13:44:13</associate-time>
```

```

        <extensiondata xmlns:apkt="http://acmepacket.com/siprec/
extensiondata">
            <apkt:callingParty>>false</apkt:callingParty>
        </extensiondata>
    </participant>
    <stream id="aD50KX+LTvxNzASg+/
GQTg=="session="BYiC7uSZQGN3VQdzWI1HWw==">
        <label>65804</label>
        <mode>separate</mode>
        <associate-time>2012-06-26T13:44:13</associate-time>
    </stream>
    <stream
id="f9NDVhyMTul+ePlM2SceQA=="session="BYiC7uSZQGN3VQdzWI1HWw==">
        <label>65805</label>
        <mode>separate</mode>
        <associate-time>2012-06-26T13:44:13</associate-time>
    </stream>
</recording>

```

## Configure SIP Headers for SIPREC Metadata

To get more detailed information about a recorded session, you can add more SIP headers within the SIPREC metadata by way of the **Extension-Headers** option. The default behavior stores only the Request-URI and realm-id.

You must configure the **Extension-Headers** option at the global level under **spl-config** because the session-agent, realm-config, and sip-interface configurations do not recognize the option. The first time you configure one or more extension headers, you need only to save and activate the configuration for the system to recognize the extension headers. When you modify the existing SPL extension header list you need to save and activate the configuration, and reboot the system for the changes to take effect. Real Time Configuration (RTC) does not apply to extension header options.

1. Access the **spl-config** configuration element.

```

ORACLE# configure terminal
ORACLE(configure)# system
ORACLE(system)# spl-config
ORACLE(spl-config)#

```

2. Type **spl-options +Extension-Headers="<value>"**, where <value> is the additional header information to store, and press Enter.

```

ACMESYSTEM(spl-config)# spl-options +Extension-Headers="P-Asserted-
Identity,Diversion"

```

3. Type **done** to save the configuration.



## Example Configuration

The following is an example of a SIPREC Extension Data Enhancement SPL configuration:

```
system
  spl-config
    spl-options          +Extension-Headers="P-
Asserted                -Identity,Diversion"
```

The **LRE-Identifier** option may be configured on each **session-agent**, **realm-config**, or **sip-interface** that interacts with the session recording server. This option is not recognized in the global `spl-config`. This option is required for SPL functionality.

To configure the LRE-Identifier option:

1. In Superuser mode, type **configure terminal** and press Enter.

```
ACMEPACKET# configure terminal
```

2. Type **session-router** and press Enter.

```
ACMEPACKET(configure)# session-router
ACMEPACKET(session-router)#
```

3. Type **sip-interface** and press Enter.

```
ACMEPACKET(session-router)# sip-interface
ACMEPACKET(sip-interface)#
```

4. Type **spl-config** and press Enter.

```
ACMEPACKET(sip-interface)# spl-config
ACMEPACKET(spl-config)#
```

5. Type **spl-options +LRE-Identifier="<value>"** where <value> is the additional header information to store and press Enter. The default behavior stores the identifier of the logical remote identity.

```
ACMESYSTEM(spl-config)# spl-options +LRE-Identifier
```

6. Type **done** to save your work.

## Example Configuration

The following is an example of an LRE-Identifier option configuration:

```
session-router
  sip-interface
    spl-config
      spl-options          +LRE-Identifier
```

## Universal Call Identifier SPL

The Universal Call Identifier SPL generates or preserves a UCID based on configuration. Once a UCID is generated or preserved, the system adds the value to all subsequent egress SIP requests within the session. You can also set the SPL to remove unwanted UCID headers to avoid duplicity in egress SIP requests.

Using the Universal Call Identifier SPL, you can identify requests within a particular session by manipulating the following vendor specific UCID headers:

- User-to-User
- Cisco-GUID
- Cisco-GUCID

The UCID is added as extension data to the session element of the recording's metadata when using SIPREC.

You must configure one of the following SPL options for it to be enabled:

- UCID-App-ID
- GUID-Node-ID
- GUCID-Node-ID

Each SPL option allows you to set an identifying value, as defined by the vendors. The SPL does not validate any input for the SPL options. It is the responsibility of the Administrator to set the correct value.

You may further modify the action of the SPL by adding **replace-ucid** or **convert-to** to your SPL options.

 **Note:**

The **replace-ucid** and **convert-to** options have no effect unless you also configure UCID-App-ID, GUID-Node-ID, or GUCID-Node-ID.

### UCID-App-ID

The UCID-App-ID SPL option allows the Oracle® Enterprise Session Border Controller (E-SBC) to examine ingress SIP requests for the “User-to-User” header. When present, the header is transparently passed through the egress SIP message. If set to **replace-ucid** or the header is not present, the system generates a new value for “User-to-User”.

You must set the value to a 2-byte hex-ascii value that represents the app ID. All input is truncated to 4 characters. Any characters outside the range of 0-9 and A-F will result in an invalid User-to-User header.

### GUCID-Node-ID

The **GUCID-Node-ID** SPL option allows the Oracle® Enterprise Session Border Controller (E-SBC) to examine ingress SIP requests for the Cisco-GUCID header.

When present, the header is transparently passed through the egress SIP message. If set to **replace-ucid** or the header is not present, the system generates a new value for Cisco-GUCID.

You must set the value to a 48-bit node ID in the version 1 UUID defined by RFC 4122. You can enter the value in decimal or hexadecimal notation. The value must be prefixed with 0x when hexadecimal.

## GUID-Node-ID

The **GUID-Node-ID** SPL option allows the Oracle® Enterprise Session Border Controller (E-SBC) to examine ingress SIP requests for the Cisco-GUID header. If present, the header is transparently passed through the egress SIP message. The system generates a new value for Cisco-GUID if not present or the SPL option is set to **replace-ucid**.

You must set the value to a 48-bit node ID in the version 1 GUID defined by RFC 4122. You can enter the value in decimal or hexadecimal notation. The value must be prefixed with 0x when hexadecimal.

## convert-to

The **convert-to** SPL option allows the Oracle® Enterprise Session Border Controller (E-SBC) to examine ingress SIP requests for multiple UCID headers. This option has no effect unless appended to another SPL option.

You must set the convert-to SPL option to one of the following values:

- **Avaya**—Removes all Cisco-GUCID and Cisco-GUID headers from egress SIP requests.
- **GUID**—Removes all User-to-User and Cisco-GUCID headers from egress SIP requests.
- **GUCID**—Removes all User-to-User and Cisco-GUID headers from egress SIP requests.

## Example SPL Options

The following are examples of the Universal Call Identifier SPL.

### Example 1

```
UCID-App-ID=0023,replace-ucid,convert-to=Avaya
```

This creates a User-to-User header based on a node ID of 23. Any value on the ingress side is replaced with the newly generated value. Removes all Cisco-GUID and Cisco-GUCID headers from egress messages.

### Example 2

```
GUID-Node-ID=0x124578,convert-to=Guid
```

This creates a Cisco-GUID header if one does not exist in the ingress request. Removes all User-to-User and Cisco-GUCID headers from egress messages.

## Sample Metadata

The following sample shows metadata with new extension data added by the Universal Call Identifier SPL:

```
<extensiondata xmlns:apkt=http://acmepacket.com/siprec/extensiondata>
  <apkt:ucid>00FA08001900014E3E7D5C;encoding=hex</apkt:ucid>
</extensiondata>
<extensiondata xmlns:apkt=http://acmepacket.com/siprec/extensiondata>
  <apkt:ucid>C0934BE72BF711D6800285D16359919A</apkt:ucid>
</extensiondata>
```

## Configuring Universal Call Identifier Options

The SPL options must be configured on the ingress session-agent, realm-config, or sip-interface. If you update the values of the SPL options for the Universal Call Identifier SPL, you must perform a **save** and **activate** in order for the new option to take effect.

To configure the SPL options:

1. In Superuser mode, type **configure terminal** and press Enter.

```
ACMEPACKET# configure terminal
```

2. Type **session-router** and press Enter.

```
ACMEPACKET(configure)# session-router
ACMEPACKET(session-router)#
```

3. Type **session-agent** and press Enter.

```
ACMEPACKET(session-router)# session-agent
ACMEPACKET(session-agent)#
```

4. Type **spl-config** and press Enter.

```
ACMEPACKET(session-agent)# spl-config
ACMEPACKET(spl-config)#
```

5. Type **spl-options +UCID-App-ID=<value>** where <value> is the additional header information to store and press Enter. The default behavior stores only the Request-URI and realm-id.

```
ACMESYSTEM(spl-config)# spl-options +UCID-App-ID=0023
```

6. Type **done** to save your work.

## Example Configuration

The following is an example of an Universal Call Identifier option configuration:

```
session-router
  session-agent
    spl-config
      spl-options          +UCID-App-ID=0023
```

## Comfort Noise Generation SPL

Comfort noise (CN) is the noise in a Real Time Transport Protocol (RTP) message (defined in RFC 3389) that is played to prevent a user from hearing completely dead silence on the connection. The Session Description Protocol (SDP) negotiates this RTP message containing the comfort noise using payload type 13 and an rtptime of "CN".

However, when CN is received, normal RTP ceases. Thus, with no RTP traffic, guard timers may trigger and cause the call to be terminated. To correct this, you can load a Comfort Noise Generation SPL that allows the Oracle® Enterprise Session Border Controller (E-SBC) to generate "noise" RTP using the normal audio codec when it receives a CN indication.

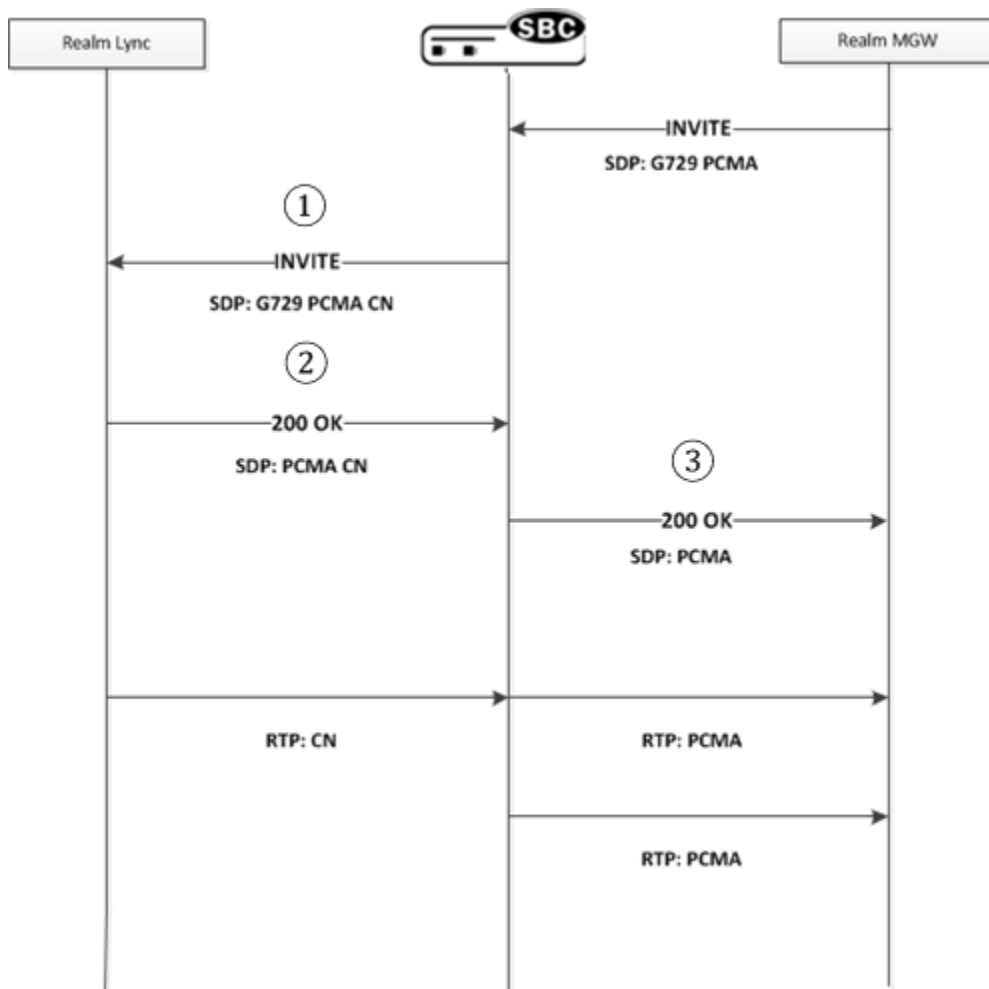
The CN Generation SPL must be loaded manually according to the procedures described in [Loading and Enabling the SPL](#). After loading the SPL on the E-SBC, comfort noise is added and removed from the SDP to allow for proper negotiation. If properly negotiated in SDP, CN interworking facility (IWF) is enabled in the media flows allowing the E-SBC to generate noise RTP when CN is received.

 **Note:**

CN generation configuration is supported on realms only.

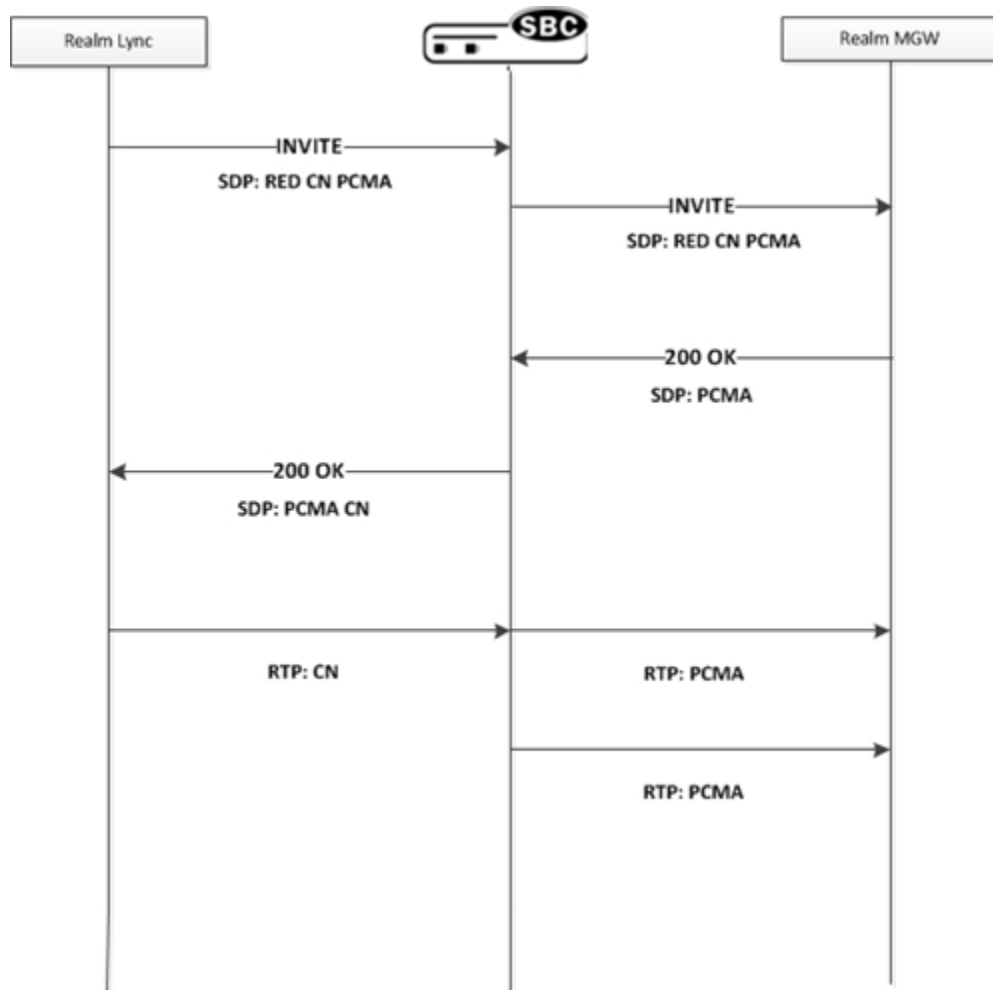
The following describes two different cases of how the E-SBC performs the SDP manipulation using the CN Generation SPL.

### Case 1



1. SDP offer received from the realm that has comfort-noise-generate enabled. If the SDP offer contains CN, no IWF is required. If it does not contain CN, and at least one of the offered audio codecs is PCMU or PCMA, CN is added in outgoing SDP offer.
2. If SDP Answer contains the CN codec and topmost audio codec is PCMU or PCMA, E-SBC enables CN IWF.
3. E-SBC strips CN from outgoing SDP Answer.

Case 2



1. SDP offer is sent to a realm that has comfort-noise-generate enabled. If CN was not offered, IWF cannot be performed. If CN is in the offer, the E-SBC forwards the offer to the outbound side.
2. SDP Answer is received from a realm that has comfort-noise-generate enabled. If it contains CN, no IWF is required because both sides support CN. If there is no CN in the Answer, and the topmost audio codec is PCMU or PCMA, the E-SBC enables CN IWF.
3. If CN IWF is enabled, the E-SBC adds CN to the outgoing SDP Answer.

## Configure the Comfort Noise Generation SPL

Use the following procedure to configure the CN Generation SPL on the Oracle® Enterprise Session Border Controller (E-SBC).

- The CN Generation SPL can be installed on the Server Edition and VMWare (preferred hypervisor) platforms, only.
- You must have the SPL loaded and enabled using the procedure in [Loading and Enabling the SPL](#).

1. In Superuser mode, type **configure terminal** and press Enter.

```
ACMEPACKET# configure terminal
```

2. Type **media-manager** and press Enter.

```
ACMEPACKET(configure)# media-manager  
ACMEPACKET(media-manager)#
```

3. Type **realm-config** and press Enter.

```
ACMEPACKET(media-manager)# realm-config  
ACMEPACKET(realm-config)#
```

4. Type **spl-options +comfort-noise-generate** and press Enter.

```
ACMESYSTEM(realm-config)# spl-options +comfort-noise-generate
```

5. Type **done** to save your work.

## Example Configuration

The following is an example of a CN Generation SPL configuration.

```
media-manager  
  realm-config  
    identifier          SP  
    addr-prefix         172.16.0.0/16  
    network-interfaces  Core1:0  
    mm-in-realm         enabled  
    spl-options         comfort-noise-generate
```

## High Availability (HA) Support

High Availability (HA) supports the use of Comfort noise. The codec encoding (PCMU/PCMA), codec ptime, and CN generation enabled/disabled state is exchanged with the standby in Middlebox Control Daemon (MBCD). If CN generation occurs in a call flow, and a switchover occurs, the CN generation stops until the next CN message is received.

## Licensing Information

The following licensing applies to the CN Generation SPL.

Process	Description
Package name	G711
License category	Open Source
Package version	N/A
Vendor	Sun Microsystems



Process	Description
Applicable license	<p>This source code is a product of Sun Microsystems, Inc. and is provided for unrestricted use. Users may copy or modify this source code without charge.</p> <p>SUN SOURCE CODE IS PROVIDED AS IS WITH NO WARRANTIES OF ANY KIND INCLUDING THE WARRANTIES OF DESIGN, MERCHANTABILITY AND FITNESS FOR A PARTICULAR PURPOSE, OR ARISING FROM A COURSE OF DEALING, USAGE OR TRADE PRACTICE.</p> <p>Sun source code is provided with no support and without any obligation on the part of Sun Microsystems, Inc. to assist in its use, correction, modification or enhancement.</p> <p>SUN MICROSYSTEMS, INC. SHALL HAVE NO LIABILITY WITH RESPECT TO THE INFRINGEMENT OF COPYRIGHTS, TRADE SECRETS OR ANY PATENTS BY THIS SOFTWARE OR ANY PART THEREOF.</p> <p>In no event will Sun Microsystems, Inc. be liable for any lost revenue or profits or other special, indirect and consequential damages, even if Sun has been advised of the possibility of such damages.</p> <p>Sun Microsystems, Inc. 2550 Garcia Avenue Mountain View, California 94043</p>
Software builds	SC[z] BC[z]640
Purpose	Conversion from linear samples to alaw/ulaw
Used in modified or unmodified form	Unmodified
Used internally or distributed	Distributed with Product Binaries
Location in source code tree	linux/kernel/modules/acme
Used by itself or in combination with other software	Used exclusively and tightly integrated into acme.ko. The code is compiled as part of acme.ko.
Link to website hosting Software	N/A
License requires notice provided in product documentation?	No

## Maintenance and Troubleshooting Commands for SPLs

This section provides information about how to troubleshoot and collect information about your SPL.

### show SPL

The ACLI **show spl** command displays:

- The version of the SPL engine.

- The filenames and version of the SPLs currently loaded on the Oracle® Enterprise Session Border Controller (E-SBC).
- The signature state of each SPL
- The system tasks for which each loaded SPL interacts, enclosed in brackets.

```
ACMEPACKET# show spl
SPL Version: C2.0.0
[sipd] File: LyncEmergencyCall.1.0.spl version: 1.0 signature: signed
and valid
ACMEPACKET# show spl sipd
SPL Version: C2.0.0
[sipd] File: LyncEmergencyCall.1.0.spl version: 1.0 signature: signed
and valid
```

## SPL Signature State

All SPLs must be signed by Acme Packet for authenticity.

## show running-config spl-config

The ACLI **show running-config spl-config** displays SPL specific configuration information on the system.

```
ACMEPACKET# show running-config spl-config
spl-config
    spl-options
    plugins
        name                               LyncEmergencyCall.1.0.spl
        last-modified-by                   admin@216.41.24.2
        last-modified-date                  2012-10-12 15:31:05
```

## show directory code spl

The ACLI **show /code/spl** command displays the SPLs stored in the /code/spl directory.

```
ACMEPACKET# show directory /code/spl
Listing Directory /code/spl:
drwxrwxrwx  1 0      0                4096 Aug 13 10:07 ./
drwxrwxrwx  1 0      0                4096 Aug 19 22:25 ../
-rwxrwxrwx  1 0      0                3163 Aug 13 10:07
LyncEmergencyCall.1.0.spl
```

## show spl-options

The ACLI **show spl-options** command displays SPL-specific options registered by an SPL.

```
ACMEPACKET# show spl-options
    1. return_183_initial_invite: Returns a 183 provisional response
```

when a  
emergency call is placed through Lync [LyncEmergencyCall.1.1.0.spl,config]

## SPL File Deletion

You must delete SPL files from /code/spl by way of SFTP. There is no means to delete SPL files by way of the ACLI.

## SPL Log Types

SPL log messages can often be found in the log file for the system task to which the SPL applies when that task is set to DEBUG level. You can find the output specific to SPL by the identifying prefix **[SPL]**.

```
Aug 30 15:06:07.454 [SPC] Executing SPL callback from file:
SipHeaderExtensionMetadata.1.2.spl
Aug 30 15:06:07.454 [SPL] Checking for LRE-Identifier to match
triggered session-recording-server
Aug 30 15:06:07.454 [SPC] Creating table of name
'AcmeSipServerTransDataTable' with key [0x34522878]
Aug 30 15:06:07.454 [SPC] Creating new temporary session table of key
[_SESSION_0x34522878]
Aug 30 15:06:07.454 [SPL] SIP Interface ingressSIP has option
Aug 30 15:06:07.454 [SPL] Storing data from message to insert into
metadata
```

# Emergency Location Identification Number (ELIN) Gateway Support

An ELIN-capable gateway supports connection to a qualified E911 service provider. The connection supports PSTN-based E911 functions, including user callback when there is a disconnect. Enterprises often deploy ELIN numbers based on physical location to locate the physical source of a 911 call. By using multiple ELINs, an enterprise can support multiple, simultaneous E911 calls.

Typically, an enterprise purchases multiple ELIN numbers. An ELIN gateway replaces VoIP extension URIs with ELIN numbers and maintains the mapping. For example, if an emergency service replied to a VoIP URI without using an ELIN gateway, the reply would be delayed or fail. An ELIN gateway can use its mapping to translate the ELIN number back to the VoIP extension from within the enterprise session network. The gateway can immediately forward the call back to the original client.

The Oracle® Enterprise Session Border Controller supports E911 ELIN for Lync-enabled Enterprises using the ELIN\_Gateway SPL option. Enable this option in the global SPL configuration. The Oracle® Enterprise Session Border Controller supports up to 300 ELIN numbers simultaneously and it can reuse numbers allowing a greater number of emergency calls.

## How the Emergency Location Identification Number (ELIN) SPL Works

When a Lync client places a 911 emergency call through a mediation server to a Oracle® Enterprise Session Border Controller (E-SBC), the server indicates the emergency status in the priority field and provides a list of ELIN numbers. When the ELIN gateway module is enabled, the E-SBC intelligently selects a particular ELIN number and uses it as the ANI in the “From” field SIP URI in the outgoing INVITE.

The E-SBC preserves the mapping of used ELIN numbers in an internal table. This table includes the ELIN number, the caller (VoIP extension), the “in-use” count, and a timer field. The E-SBC retains these mappings for a configurable time period ranging from 30 to 60 minutes after the call is terminated. The default is 30 minutes. When the timer expires, the entry is purged from the table. The timer field shows the time of day that the timer started.

You can view the current ELIN table at any time using the ACLI command `spl show sip elins`.

After the Lync client call is disconnected, the 911 service may call back using the number provided in the “From” field of the original INVITE. This presence of this number in its ELIN number table allows the E-SBC to route the call back to the original caller.

### Number Reuse

The E-SBC can use an ELIN number for multiple calls. When a call that requires an ELIN mapping arrives at the E-SBC, it checks to see if the numbers presented by the mediation server are in use. If a number is not in use, it simply uses that number. A number is not in use if it is not in the table or its “used count” is 0. An entry’s used count is zero when its not in use and its purge timer has not yet expired.

If all numbers are in use, the E-SBC employs a means of reusing a number, incrementing its used count for each additional call. The selection process proceeds in the following order:

1. If the “caller” is in the ELIN table, the E-SBC selects that mapping.
2. The E-SBC selects the number with the lowest “ELIN count”.

If an ELIN number is used by multiple calls, it maps callback attempts to that ELIN number to the client that was last associated with the number.

### Error Handling

Lync mediation servers always expect 503 “Service Unavailable” as an error message to a failed ELIN call. There is a variety of error messages that the network may send back when a call fails. For the purposes of Lync support, the E-SBC sends 503 “Service Unavailable” to indicate call failure to a mediation server, regardless of the error it receives.

## Configure the ELIN Gateway Option

To enable an Emergency Location Identification Number (ELIN) gateway to support connections to an emergency service provider, you must configure the ELIN gateway option on the Oracle® Enterprise Session Border Controller (E-SBC). Oracle delivers the E-SBC pre-configured with the 911 and 112 Public Safety Answering Point (PSAP)

callback numbers. You can add more PSAP numbers, as needed. You can also specify the length of time that you want the E-SBC to retain ELIN mappings.

- Determine the preferred length of time, in minutes, that you want the E-SBC to retain ELIN mappings.
- Determine whether or not you want to add more PSAP callback numbers.

The E-SBC requires ELIN configuration at the global level, rather than at the session-agent, realm-config, or sip-interface level. Select the `spl-config` option under `system` for this ELIN configuration. In the following configuration you can set the time limit for retaining ELIN mappings and you can add more PSAP callback numbers.

To configure the ELIN Gateway option:

1. Access the **spl-config** configuration element.

```
ORACLE# configure terminal
ORACLE(configure)# system
ORACLE(system)# spl-config
ORACLE(spl-config)#
```

2. Type **select**, and press Enter.
3. Type `spl-options +Elin-Gateway=<value>`, and press Enter. Valid values: 30 or 60.

```
ORACLE(spl-config)#spl-options +Elin-Gateway=60
```

4. (Optional) Type `spl-options +Elin-Add-PSAP="<value>"`, where `<value>` is one or more PSAP numbers, and press Enter. For multiple numbers, place the numbers within quotes, separate the numbers with a comma, and use no spaces. A single number does not require enclosure in quotes. Examples: `+Elin-Add-PSAP=999` and `+Elin-Add-PSAP="999,000,114"`.
5. Save and activate the configuration.

## Avaya Session Manager (SM) Redundancy

To support redundancy in Avaya SM deployments, the Oracle® Enterprise Session Border Controller can use the mechanisms for maintaining multiple connections defined in RFC 5626. In an Avaya SM deployment, this scenario is referred to as Dual Registration.

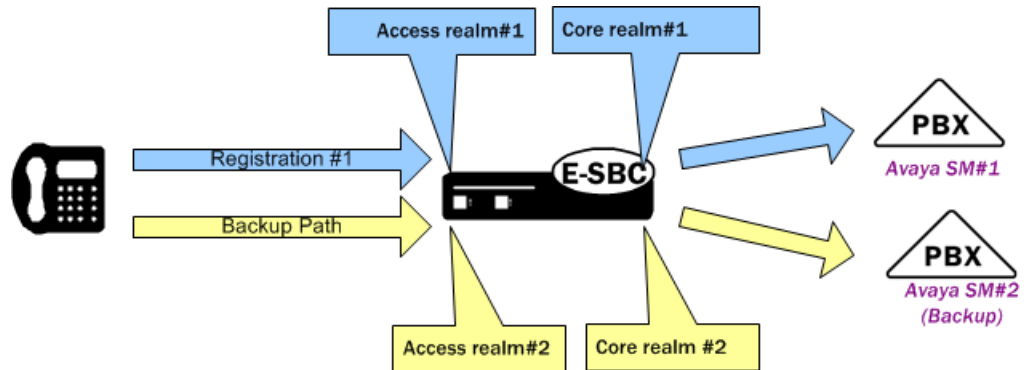
RFC 5626 specifies a method of maintaining connections between UAs and proxies, and outlines a general means for UAs to establish connection redundancy. The Oracle® Enterprise Session Border Controller can use RFC 5626 specifically for redundancy in Avaya SM Dual Registration deployments. Such a deployment allows the network to continue to provide service by way of a redundant Avaya SM, when the primary Avaya SM stops responding.

Oracle® Enterprise Session Border Controller configuration requires adding the `rfc 5626 SPL` option. In addition to adding the `SPL` option, the Oracle® Enterprise Session Border Controller configuration design separates Avaya SMs and UA traffic by way of using realms.

## How Avaya Session Manager (SM) Redundancy Works

To support Avaya SM redundancy, you configure multiple realms on the access side and the core side of the Oracle® Enterprise Session Border Controller. These realms create the primary path and backup path for accessing a redundant Avaya SM.

Consider two Avaya SMs deployed for redundancy. You configure a core side realm for each Avaya SM and you configure two access side realms. Each access side realm is associated with the applicable core side realm, to which a UA sends registration messaging. The following illustration shows this configuration.



The operational scenario consists of the Avaya SM infrastructure providing configuration information to the UAs. The information includes the 2 proxy addresses, targeting the Oracle® Enterprise Session Border Controller access-side interfaces. The UA knows which proxy is for the primary path, and sends initial REGISTER messages by way of that path. While the primary Avaya SM is up, the UA manages all registration exchanges, including refresh and re-register procedures, on the primary path. If the primary Avaya SM stops responding, the infrastructure informs the UA that it needs to register with the backup Avaya SM. The UA registers with the backup Avaya SM using the backup path.

The UA, by way of configuration, populates the backup registration and subsequent registration messages so that the Avaya SM infrastructure knows that the registrations are for the same UA. Key elements of the messaging and their use by the Avaya dual registration infrastructure include:

- `reg-id` - A contact header field parameter value that specifies individual registrations. UAs use unique `reg-id` values to specify registrations for individual flows.
- `instance-id (+sip.instance)` - A URN within the contact header that specifies a UA instance. UAs use the same Instance ID information in REGISTER exchanges to indicate that the registrations belong to the same UA.
- `Route` - The target proxy for the message. The UA uses route headers to define the separate paths to the Oracle® Enterprise Session Border Controller.

The Avaya SM uses `reg-id` in conjunction with instance-ID to manage dual registrations. By keeping instance-ID the same and sending a new `reg-id`, the infrastructure recognizes that a redundant registration was generated because a session manager switchover occurred.

Normally, multiple `reg-ids` based on a single contact would trigger a "move" procedure. The presence of a single instance-ID tells the infrastructure that the `reg-id` change does not indicate a move.

The following example REGISTERS depict the population of these elements for the purposes of an Avaya dual registration scenario.

```
REGISTER sip:example.com SIP/2.0
Via: SIP/2.0/TCP 192.0.2.2;branch=z9hG4bK-bad0ce-11-1036
Max-Forwards: 70
From: Bob <sip:bob@example.com>;tag=d879h76
To: Bob <sip:bob@example.com>
Call-ID: 8921348ju72je840.204
Supported: path, outbound
Route: <sip:ep1.example.com;lr>
CSeq: 1 REGISTER Supported: path, outbound
Contact: <sip:line1@192.0.2.2;transport=tcp>; reg-id=1;
;+sip.instance="urn:uuid:00000000-0000-1000-8000-000A95A0E128">
Content-Length: 0
```

Note the following redundant registration. The registration includes a different route header for the second Oracle® Enterprise Session Border Controller realm. It also includes a new `reg-id` and the same instance-ID.

```
REGISTER sip:example.com SIP/2.0
Via: SIP/2.0/TCP 192.0.2.2;branch=z9hG4bK-bad0ce-11-1036
Max-Forwards: 70
From: Bob <sip:bob@example.com>;tag=d879h76
To: Bob <sip:bob@example.com>
Call-ID: 8921348ju72je840.204
Supported: path, outbound
Route: <sip:ep2.example.com;lr>
CSeq: 1 REGISTER Supported: path, outbound
Contact: <sip:line1@192.0.2.2;transport=tcp>; reg-id=2;
;+sip.instance="urn:uuid:00000000-0000-1000-8000-000A95A0E128">
Content-Length: 0
```

### Registration Caching

Enabling the RFC 5626 SPL option causes the Oracle® Enterprise Session Border Controller to store a single, entire contact header in its registration cache for the AOR. When an Avaya SM switchover occurs, the Oracle® Enterprise Session Border Controller updates the AOR by replacing the contact header with the new one. The Oracle® Enterprise Session Border Controller does not store more than one contact per AOR. The Oracle® Enterprise Session Border Controller establishes a flow with only the active Avaya SM.

## Session Manager Mapping

The Oracle® Enterprise Session Border Controller (E-SBC) supports mapping between multiple session managers and multiple SBCs. Such mapping allows the SBC to work in a redundant network configuration where you can map:

- The primary session manager to the primary SBC IP address
- One or more redundant session managers to one or more redundant SBCs

To map a redundant session manager to a redundant SBC, map the private IP address of the redundant session manager to the public SIP IP address configured in HTTP-

ALG, Public on the SBC. For instructions, see "Map a Session Manager to a Session Border Controller."

## Map a Session Manager to a Session Border Controller

You can map one or more session managers to an Oracle® Enterprise Session Border Controller (E-SBC) to provide redundancy and load balancing.

- Note the private IP address of the session manager and the public SIP interface IP address of the session border controller that you want to map.

Map the private IP address of the session manager to the public SIP interface IP address of the E-SBC.

1. From the Web GUI, go to **Configuration, session-router, http-alg**.
2. On the http-alg page, click **Show advanced, Add**.
3. In the Add http-alg dialog, enter the information in the fields and make the selections for the deployment.
4. Click **OK**.

The system lists the new map on the http-alg page.

5. Save the configuration.

## Configure Avaya Session Manager (SM) Redundancy

The rfc5636 SPL option allows the Oracle® Enterprise Session Border Controller to support Avaya Dual Registration for establishing redundant UA registration.

The rfc5626 option must be configured at the global level under spl-config or using the Web GUI. The rfc5626 option is not recognized in the session-agent, realm-config, or sip-interface.

To configure the rfc5626 option:

1. In Superuser mode, type configure terminal and press <Enter>.

```
ORACLE# configure terminal
```

2. Type system and press <Enter>.

```
ORACLE(configure)# system
ORACLE(system)#
```

3. Type system and press <Enter>.

```
ORACLE(system)# spl-config
ORACLE(spl-config)#
```

4. Type rfc5626 and press <Enter>.

```
ORACLE(spl-config)# rfc5626
ORACLE(spl-config)#
```

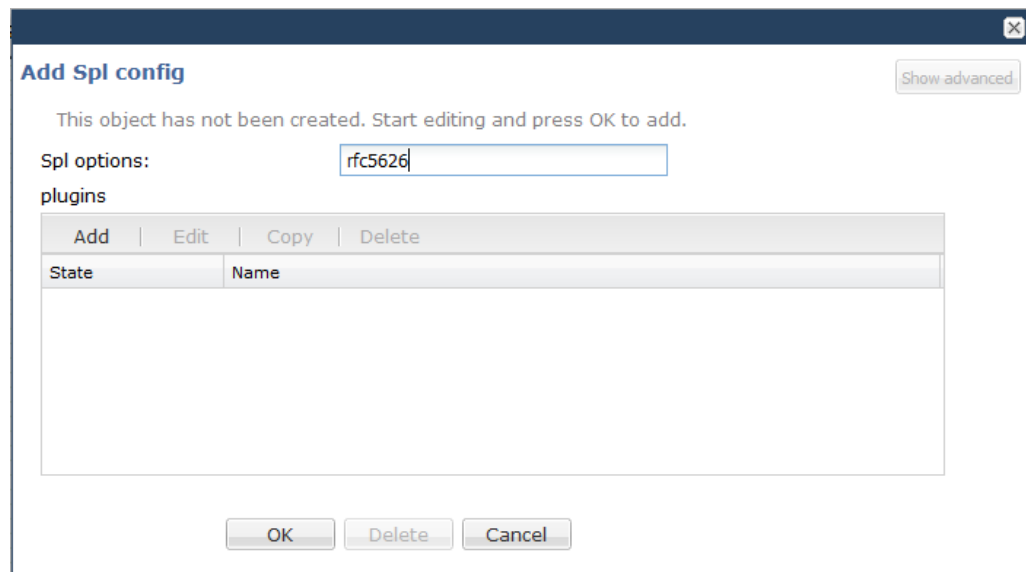
5. Type done to save your work.
6. Save and Activate your configuration.



The following example shows an rfc5626 SPL configuration:

```
system
  spl-config
    spl-options          rfc5626
```

You can also configure the rfc5626 option using the Web GUI. The procedure consists of simply opening the spl-config dialog, adding the SPL option, then saving and activating.

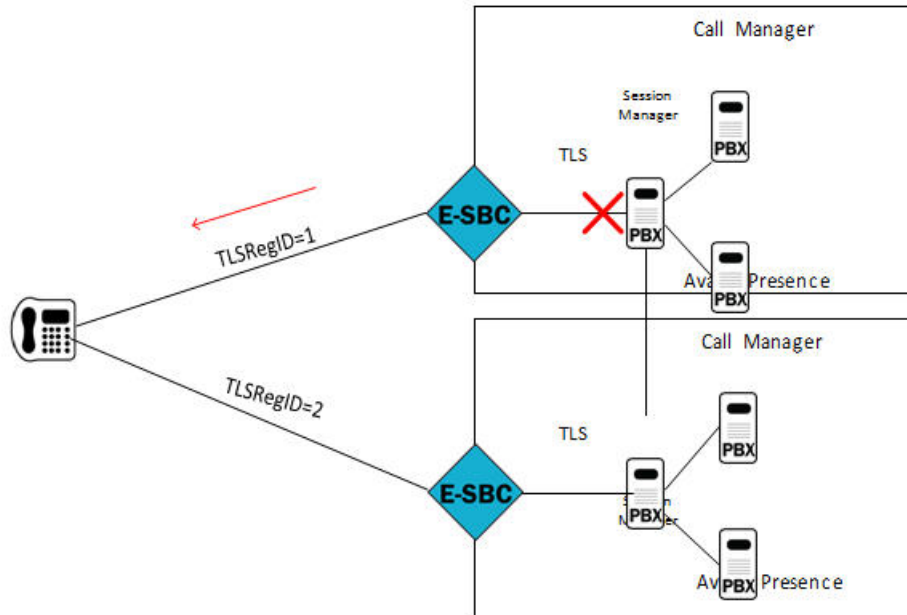


## Avaya Client Failover

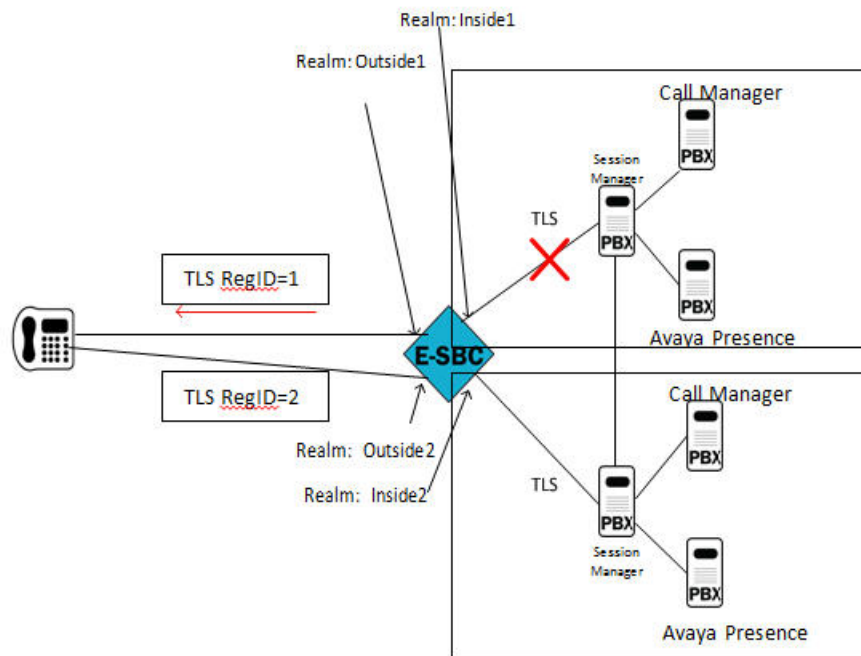
Avaya telephones (clients) require notification when the connection between the access Oracle® Enterprise Session Border Controller (E-SBC) and the Avaya Session Manager, which provides client subscription and registration services, stops responding. In the absence of such notification, the Avaya client can become unreachable for up to 24 hours. Oracle addresses this problem by enabling the E-SBC that loses connectivity with an Avaya Session manager to transmit a TCP/FIN(ish) to all Avaya clients previously supported by the unreachable Session Manager. The TCP/FIN alerts clients of the need to re-register when connectivity to the Session Manager is restored.

In addition to issuing alerts to impacted clients, the E-SBC also deletes all registrations associated with the out-of-service Session manager from the E-SBC registration cache.

The following diagram shows atypical Avaya topology consisting of a single Avaya client (a telephone), a single E-SBC, and a single Avaya Session Manager that provides subscription and registration services for the telephone. If connectivity between the E-SBC and the Session Manager is lost, the Avaya client requires a TCP/FIN(ish) message that alerts the client to invalidate its subscription status and to re-subscribe when the TCP connection becomes available. Without receipt of the TCP/FIN, the phone remains unaware of its state change and will not receive notifies from the Session Manager until it re-subscribes (which by default is 24 hours later).



The E-SBC supports redundant access topologies, based on RFC 5626—*Managing Client-Initiated Connections in the Session Initiation Protocol (SIP)*. This topology accomplishes redundancy by registering an Avaya telephone to multiple Session Managers, as shown below.



In the preceding diagram, the E-SBC maintains connections with two Avaya Session Managers, which both share state information and act as a registrar and proxy for the Avaya telephone. The client establishes redundancy with two TCP connections to the domain. Redundant connections are differentiated by a unique *reg-id* contact header field parameter. In the preceding illustration, two reg-ids TLSRegID 1 and TLSRegID 2 are created for different Session Managers on the same E-SBC. If a Session Manager goes out-of-service, the E-SBC sends a TCP/FIN message to the Avaya client for

the reg-id associated with the unavailable Session Agent, and deletes all associated registration cache entries.

## TCP/FIN Generation Configuration

Use the following procedure to enable a TCP/FIN exchange between the Oracle® Enterprise Session Border Controller and an Avaya user agent in the event of failure of an Avaya Session Manager.

1. Access the **session-agent** configuration element.

```
ORACLE# configure terminal
ORACLE(configure)# session-router
ORACLE(session-router)# session-agent
ORACLE(session-agent)
```

2. Select the **session-agent** object to edit.

```
ORACLE(session-agent)# select
<hostname>:
1: 192.168.100.101:1813

selection: 1
ORACLE(session-agent)#
```

3. **send-tcp-fin**—Set this parameter to enabled to generate a TCP/FIN exchange in response to the failure of this Avaya Session Manager. By default, this parameter is disabled.

```
ACMEPACKET(session-agent)# send-tcp-fin enabled
ACMEPACKET(session-agent)#
```

4. Type **done** to save your configuration.
5. If necessary, repeat Steps 1 through 4 to enable TCP/FIN for other Avaya Session Managers.

## Avaya Attended-Transfer-Enable SPL

Legacy Oracle® Enterprise Session Border Controller software versions do not fully support the standard attended transfer scenario as it is described in RFC 5589, which describes best practices for call control and transfer of SIP-based call sessions. In a deployment in which the IP addresses on the public, or access, side of the Oracle® Enterprise Session Border Controller are not routable from the private or core sides, the flow will fail. The Attended-Transfer-Enable SPL addresses this issue.

Within an Avaya environment, each Avaya endpoint is known by a different URI on the access side of the Oracle® Enterprise Session Border Controller than it is on the core side. Currently, when the REFER message sent from the Transferor to the Transferee crosses from the access side to the core side, the URIs in the Refer-to and Referred-by headers are not changed from the URIs known on the access side to those known on the core side. Often this is easily overcome because the REFER that eventually reaches the Transferee still contains access-side URIs, which are known to the Transferee. Thus, the transferee can construct the INVITE correctly. In an environment in which some element of the core, such as an Avaya Session

Manager (SM) or Call Manager (CM) has more control over the calls, this element may use the Refer-to and Referred-by URIs in its logic. For this reason, the Refer-to and Referred-by headers must contain the core-side URIs for those endpoints because the core element will have no knowledge of the access-side URIs

In order to control the flow properly, certain key URIs must be mapped from access-side to core-side and vice versa in the following messages:

- The REFER send from the Transferor to the Transfer Target
- The INVITE with Replaces header sent from the Transferee to the Transfer Target
- All subsequent requests sent from the Transferee to the Transfer Target in the dialog established by the INVITE with Replaces header

The Avaya Attended Transfer SPL provides RFC 5589 conformity by mapping access-side and core address as follows:

1. When transferor-->transfer target INVITE passes through the E-SBC from access to core, change the Refer-to URI from the access URI to the corresponding core URI.
2. When transferor-->transfer target INVITE passes through the E-SBC from access to core, change the Referred-by URI from the access URI to the corresponding core URI.
3. When transferor-->transfer target INVITE passes through the E-SBC from core to access, change the Refer-to URI from the core URI to the corresponding access URI
4. When transferor-->transfer target INVITE passes through the E-SBC from core to access, change the Referred-by URI from the core URI to the corresponding access URI.
5. When transferee-->transfer target INVITE with Replaces header passes through the SBC from access to core, change the Request-URI from the access URI to the corresponding core URI.
6. When transferee-->transfer target INVITE with Replaces header passes through the SBC from access to core, change the Referred-by URI from the access URI to the corresponding core URI.
7. When transferee-->transfer target INVITE with Replaces header passes through the SBC from core to access, change the Request-URI from the core URI to the corresponding access URI.
8. When transferee-->transfer target INVITE with Replaces header passes through the SBC from core to access, change the Referred-by URI from the core URI to the corresponding access URI
9. When any subsequent request in the dialog initiated by the INVITE with Replaces header passes through the SBC from access to core, change the Request-URI from the access URI to the corresponding core URI.
10. When any subsequent request in the dialog initiated by the INVITE with Replaces header passes through the SBC from core to access, change the Request-URI from the core URI to the corresponding access URI.

## Configure the Attended-Transfer-Enable SPL

Use the following procedure to enable the Attended-Transfer-Enable SPL.

1. Access the spl-config object.

```
ORACLE# configure terminal
ORACLE(configure)# system
ORACLE(system)# spl-config
ORACLE(spl-config)#
```

2. **spl-options**—Use the spl-options command to enable the Attended-Transfer-Enable SPL.

```
ORACLE(system)# spl-options +attended-transfer-enable
ORACLE(system)#
```

3. Use **done**, **exit**, and **verify-config** to complete the configuration.
4. Activate the new configuration.

# Local Media Playback

Commonly, ringback is the media playback of a certain tone informing callers that their calls are in progress. In typical deployments, remote endpoints or media servers handle ringback generation, leaving the Oracle® Enterprise Session Border Controller (E-SBC) to proxy RTP. When endpoints or media servers do not support ringback generation, or if different ringback is required, the E-SBC becomes the producer.

You can configure the E-SBC to generate ringback locally, meaning it can produce RTP media on a media flow. The most common use for enabling the system to produce RTP on a media flow is to support locally generated ringback tone (RBT). Because you can also use this capability for music-on-hold, announcements, and interrupting media for notifications, this E-SBC capability is referred to as local media playback.

You configure Local Media Playback using one of two methods:

- Through the CLI only.
- Through the CLI using the Local Media Playback SPL plug-in.

You can only use one method on an E-SBC at a time.

## Supported Local Media Playback Capabilities

The Oracle® Enterprise Session Border Controller (E-SBC) can generate media locally based on end station signaling, local media playback configuration, and other E-SBC configuration.

Local media playback capabilities are dependent upon your choice of configuration method. Be aware of the few operational differences between these methods. Most new deployments use the CLI-only method.

### Deployments Configured with CLI Only

The Oracle® Enterprise Session Border Controller (E-SBC) supports the following playback scenarios when configured with the CLI only:

- Playback on 180 Ringing
- Playback on 180 Ringing when 180 does not include SDP
- Playback on 183 Session Progress
- Playback on REFER
- Playback upon both 183 and REFER

You can also configure the E-SBC with HMR response code mapping on the SIP call egress side to map a 183 into a 180 response, thereby triggering playback on 180 Ringing. This requires that you map a 183 response into a 180 response, which then triggers playback.

### Deployments Configured with SPL

The E-SBC supports the following playback scenarios when configured with SPL:

- Playback on 183 Session Progress
- Playback on REFER
- Playback on header, where the header is P-Acme-Playback

The E-SBC does not support the following operations for local media playback when configured with SPL:

- SRTP
- Call recording
- SIPREC

## Pre-Requisites

The Local Playback SPL plug-in is installed in the software, and you must fulfill the following requirements for Local Playback to work properly.

1. Configure one or more playback configuration elements. See, [Setting up the Playback Configuration](#).
2. Configure the realm, session agent, or SIP interface objects with the necessary SPL playback option(s) for your deployment. See [Setting Playback Options on Realms Session Agents and SIP Interfaces](#).

## Media Setup and Playback

For each session requiring media playback, the Oracle® Enterprise Session Border Controller (E-SBC) sets up media that supports standard RTP parameters. From the original media (if present), the E-SBC preserves the synchronization source (SSRC), timestamp, and sequence number.

Media playback differs between configuration methods:

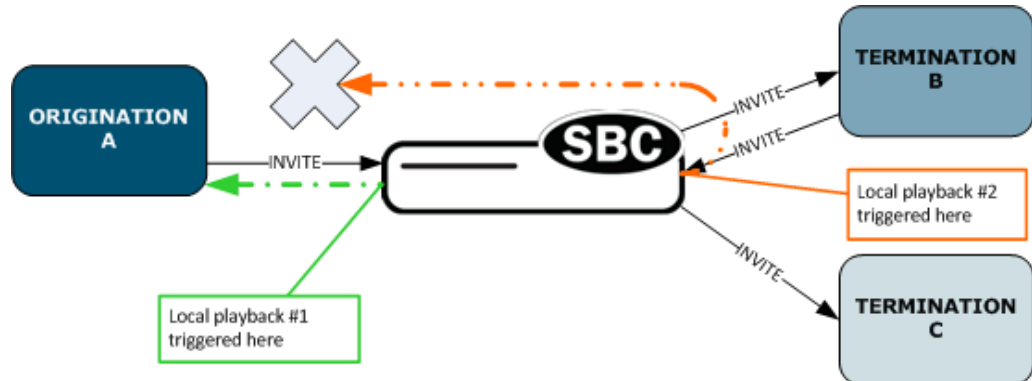
- When configured with ACLI only, the playback duration is always continuous, meaning that the media file loops if it fails to cover the entire playback period. (ACLI configuration does not provide for playback-on-header.)
- When configured with SPL, the playback duration is continuous except when using the playback-on-header option. The playback duration for the playback on header scenario changes according to the settings in the P-Acme-Playback header. This header contains a `duration=<ms-value|once|continuous>` value, so you can customize the playback duration.

Playback timing options via playback on header include:

- Continuous—Media playback continues until the point at which the playback scenario defines its stop; media file loops if it fails to cover the entire playback duration.
- Once—The file plays until either the playback scenario defines its stop or until the media file runs out.
- Ms-value—Playback continues for a specific duration (in milliseconds) and will loop if necessary.

## Media Spirals

Certain call flows cause media to traverse the Oracle® Enterprise Session Border Controller multiple times, resulting in media spirals. For local playback, this means that multiple playback files can be triggered to play. In situations like this, the Oracle® Enterprise Session Border Controller uses the playback closest to the endpoint receiving the media playback. Origination A in the diagram below is played Local playback #1, even though the scenario also triggers Local playback #2.



## Media Files

Media files of ringback tones are uploaded to /code/media to the E-SBC. This file differs based on your media generation method and must be raw media binary. For Transcoding based RBT, ensure that the files RAW PCM 16-bit MONO samples, sampled at 8-khz encapsulated with little-endian formatting and cannot exceed 4.8 MB.

When using the SPL method:

- A separate file is required for each different codec type, even if the media itself is the same.
- Your configuration must specify a playback rate in bytes per second, as this setting defines how many bytes of data per unit of time are needed.
- To preserve system memory resources, media files are limited to 2MB.

No media file can not exceed 5 minutes of playback data.

## Supported Playback Scenarios when using SPL

This section discusses playback scenarios the Oracle® Enterprise Session Border Controller supports and identifies triggers for playback. When more than one trigger appears, the Oracle® Enterprise Session Border Controller acts on the one closest to the playback endpoint.

These scenarios are defined by the SPL options parameters you configure for realms, session agents, and SIP interfaces. For more information about configuring these options, see Chapter 23, Session Plug-in Language (SPL).



- playback-on-183-to-originator—Playback enabled upon the receipt of a 183 Session Progress destined for the originator and stops when a either a (200-299 or 400-699) final response is sent.
- playback-on-183-from-terminator—Playback enabled upon the receipt of a 183 Session Progress response is received from the terminator and stops when a (200-299 or 400-699) final response is received.
- playback-on-refer—Playback enabled for the caller being transferred when the Oracle® Enterprise Session Border Controller receives a REFER message that is locally terminated (i.e., processed on the Oracle® Enterprise Session Border Controller on REFER completion).
- playback-on-header—Starts or stops playback based on the presence of the P-Acme-Playback header and its definitions.

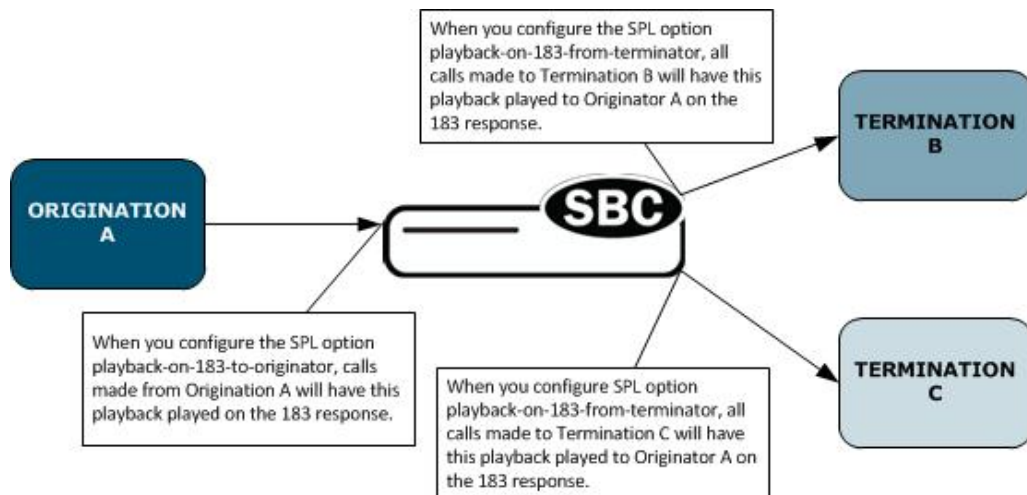
 **Note:**

The Oracle® Enterprise Session Border Controller supports a maximum of 100 simultaneous playbacks when configured using the SPL method.

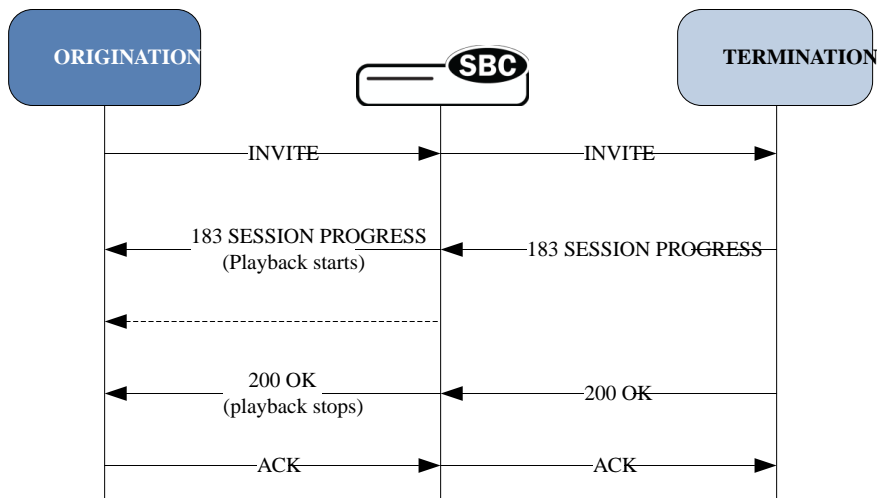
## Playback on 183 Session Progress

This scenario is triggered by setting the SPL options parameter to either playback-on-183-to-originator or playback-on-183-from-terminator in realms, session agents, or SIP interfaces. When both options trigger, playback-on-183-to-originator takes precedence. This scenario triggers only for 183 Session Progress responses to initial INVITES, not for re-INVITES.

- playback-on-183-to-originator—Starts playback upon the receipt of a 183 Session Progress destined for the originator and stops when a either a (200-299 or 400-699) final response is sent. When you configure this option, every call sent from the originator triggers this playback.
- playback-on-183-from-terminator—Starts playback upon the receipt of a 183 Session Progress response is received from the terminator and stops when a (200-299 or 400-699) final response is received. When you configure this option, every call sent to the terminator triggers this playback.



A call flow for the playback-on-183-from-terminator scenario looks like this:

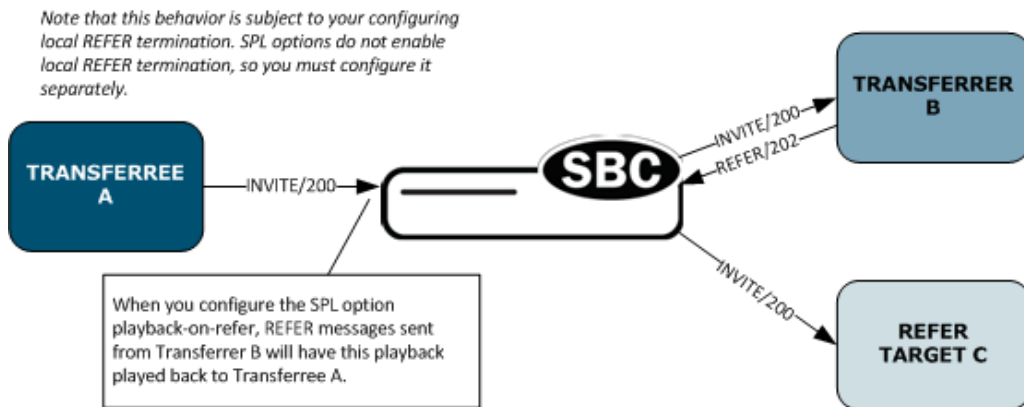


## REFER

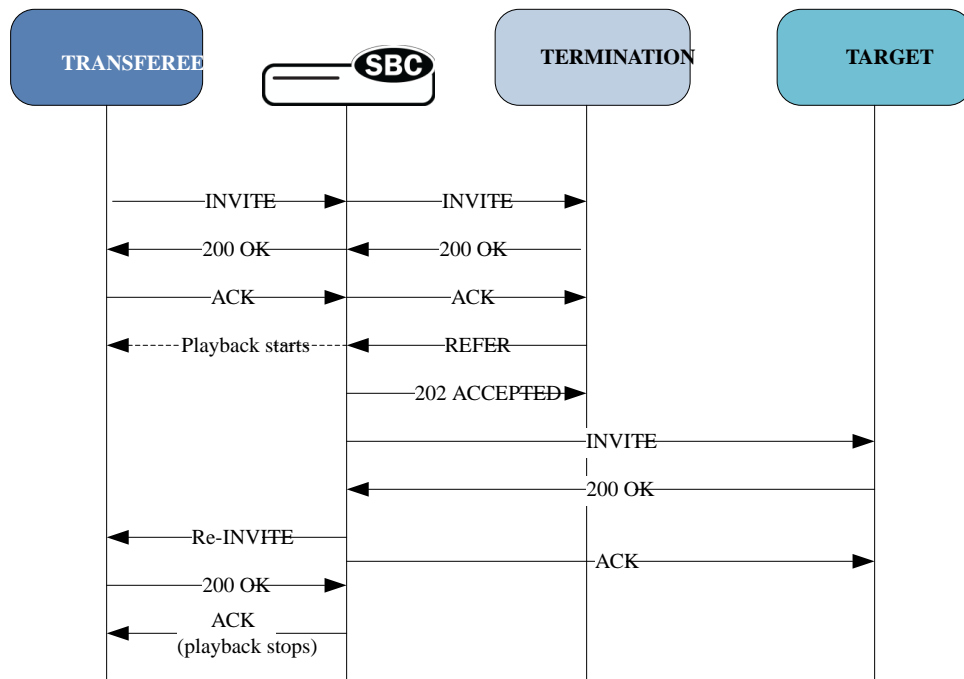
Setting the SPL options parameter to playback-on-refer enables a REFER message to trigger playback. You configure this option for the realm, session agent, or SIP interface for the transferrer, not for the transferee or the REFER target.

The REFER scenario requires that the Oracle® Enterprise Session Border Controller performs local REFER termination, i.e., that it terminates the REFER locally. The SPL options you configure do not implement this behavior: You must configure local REFER termination separately. Proxying a REFER message is not a trigger.

Playback begins when the Oracle® Enterprise Session Border Controller receives the REFER message, and stops when the REFER operation is deemed complete with a final response (200-299 or 400-699).



A call flow for the playback-on-refer scenario looks like this:

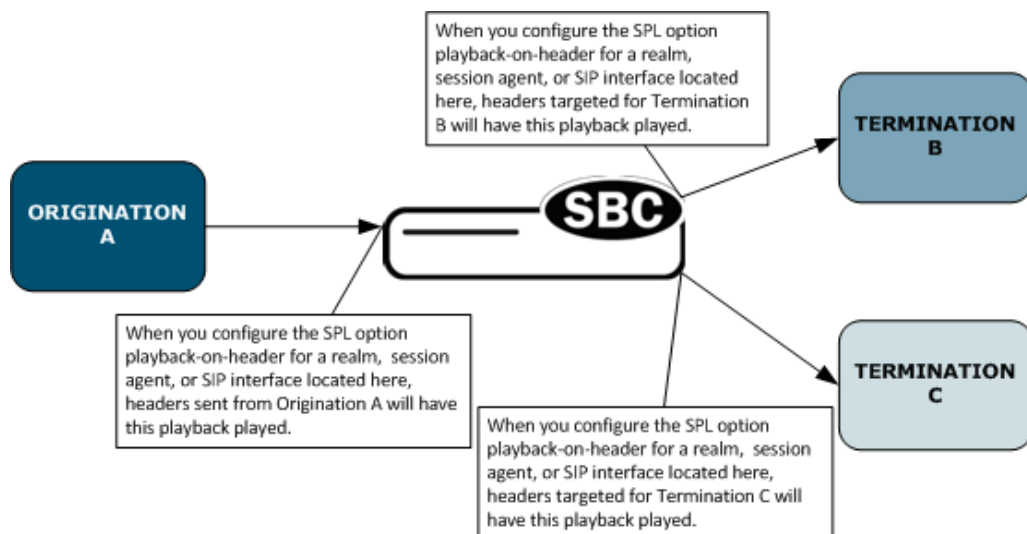


## Playback Header

Setting the SPL options parameter to playback-on-header triggers in the presence of the P-Acme-Playback header. You can configure the option on either the side receiving the header message or the side from which the message will be sent. If both trigger, then the configuration closest to the playback direction takes precedence.

This header can be part of any request or response, but playback can only start once media has been established. Playback stops automatically with a final response (200-299 or 400-699), unless explicitly turned off or another playback header requesting it to stop is received.

The Oracle® Enterprise Session Border Controller deletes the P-Acme-Playback after processing if the SPL option is configured for the call (either incoming or outgoing).



The header looks like this:

```
P-Acme-Playback: start
    ;media=media1
    ;duration=continuous
    ;direction=both
    ;stop-on-final-resp=true
```

Header Element	Description
<start stop>	Required Defines starting and stopping playback. <ul style="list-style-type: none"> <li>start: starts playback</li> <li>stop: stops playback</li> </ul>
[;media=<media-name>]	Optional Defines the name of the playback configuration to play. If unspecified, the playback configuration that was triggered by the header will play.
[;duration=<ms-value once continuous>]	Optional Defines the duration of playback. If unspecified, the value will be taken from the playback-config that was triggered. <ul style="list-style-type: none"> <li>ms-value: time value in milliseconds</li> <li>once: plays playback media one time</li> <li>continuous: loops the playback media</li> </ul>
[;direction=<originator terminator both>]	Optional Defines the direction from which to play media. If unspecified, playback will begin in the realm, session agent, or SIP interface from which the header was received. <ul style="list-style-type: none"> <li>originator: plays in the west flow (original caller)</li> <li>terminator: plays in the east flow (original callee)</li> <li>both: plays in both directions</li> </ul>
[;stop-on-final-resp=<true false>]	Optional Defines whether or not to stop playing media upon the final response. If unspecified, this parameter is true. <ul style="list-style-type: none"> <li>true: stops playback automatically on a final response</li> <li>false: stop only after a stop header is received or media terminated</li> </ul>

## ACLI Configuration and Examples - SPL Method

Use the following procedure to configure the Local Media Playback options on the Oracle® Enterprise Session Border Controller using the SPL configuration method.

1. Set up the playback configuration and associated entries sub-elements.
2. Set up the realm, session-agents, or sip-interfaces for which you want to enable local playback.

### Set up the Playback Configuration

The playback configuration defines the media files that you want to play, listed by codec. Each codec encoding that you want to support requires its own file, defined by the playback entry sub-element.

**Procedure**

1. In Superuser mode, type **configure terminal**, and press Enter.

```
ACMEPACKET# configure terminal
```

2. Type **media-manager**, and press Enter.

```
ACMEPACKET(configure)# media  
ACMEPACKET(media-manager)#
```

3. Type **playback-config**, and press Enter.

```
ACMEPACKET(media-manager)# playback-config  
ACMEPACKET(playback-config)#
```

4. **name**—Enter the name of this playback configuration. This parameter has no default, and is required. You use this name when you configure the `spl-options` parameter; it specifies the media the Oracle® Enterprise Session Border Controller (E-SBC) plays.
5. **entries**—Configure the entries for this playback configuration. These entries refer to files in the `/code/media` directory, and are designed so that you can reference the same media with different codecs. For example, you might want to be able to play the same playback tone in different codecs; here, you would specify the file name and the encoding for each one you have stored.

```
ACMEPACKET (playback-config)# entries  
ACMEPACKET(entries)#
```

- **encoding**—Enter the codec name for this media file entry, such as PCMU. This value must match the encoding name negotiated in the SDP. This parameter has no default and is required.
  - **filename**—Enter the name of the raw binary media file you stored in the `/code/media` directory on the E-SBC.
  - **bytes-per-second**—Enter the playback rate for this media file in bytes per second. Default: to 8000. Range:100-99999.
6. Type **done**, and save the configuration.

## Set Playback Options on Realms, Session Agents, and SIP Interfaces

To set playback options for realms, session agents, and SIP interfaces on the Oracle® Enterprise Session Border Controller (E-SBC), you can set the `spl-options` parameter under each of those objects in the ACLI. The **spl-options** parameter allows you to set the following options:

- **playback-on-183-to-originator**—Playback enabled upon the receipt of a 183 Session Progress destined for the originator and stops when a either a 200-299 or 400-699 final response is sent.
- **playback-on-183-from-terminator**—Playback enabled upon the receipt of a 183 Session Progress response is received from the terminator and stops when a 200-299 or 400-699 final response is received.

- **playback-on-refer**—Playback enabled for the caller being transferred when the E-SBC receives a REFER message that is locally terminated (i.e., processed on the E-SBC on REFER completion).
- **playback-on-header**—Starts or stops playback based on the presence of the P-Acme-Playback header and its definitions.

 **Note:**

The E-SBC supports a maximum of 100 simultaneous playbacks.

With each of these options, you set the name of the playback configuration you want to use for the associated scenario. Except with `playback-on-header`, if there is one file to play, the E-SBC loops it continuously until a stop event occurs. If multiple media files can be used for the same events, the E-SBC queues them in the order you specify in your configuration and plays them consecutively until a stop event occurs. For `playback-on-header`, you can define how you want playback to work by setting the duration mode in the P-Acme-Playback header to `once`, `continuous`, or the amount of time in milliseconds you want the media to play.

The following example shows you how to configure the `playback-on-refer` SPL option for a session agent. The steps are the same for the `spl-options` parameter in realms, session agents, and SIP interfaces. Simply set the option you want in the configuration where it needs to be applied.

### Procedure

1. Access the **session-agent** configuration element.

```
ORACLE# configure terminal
ORACLE(configure)# session-router
ORACLE(session-router)# session-agent
ORACLE(session-agent)
```

2. Type **spl-options**, followed by the option name pre-pending with the plus sign (+). If you do not use the plus sign, the system overwrites any other options that you configured previously.

```
ACMESYSTEM(session-agent)# spl-options +playback-on-
refer=media1,media2
```

In the previous example, the E-SBC will play `media1` and then `media2`.

3. Type **done** and save the configuration.

## Playback Configuration Example

The following is an example of a playback configuration:

```
playback-config
  name          Ringback
  entries
    encoding    PCMU
```

```

        filename          tonePCMU.rbf
        bytes-per-second  8000
    entries
        encoding          PCMA
        filename          tonePCMA.rbf
        bytes-per-second  8000
    entries
        encoding          G729
        filename          toneG729.rbf
        bytes-per-second  8000

```

## RTC Support

The playback configuration is supported by real-time configuration (RTC). Media files located in the `/code/media` directory and referenced by playback configuration entries are loaded at boot time and when you activate a configuration. The system does not reload any media being played to an endpoint. Playbacks that start after the boot or configuration activation use updated media files.

## Considerations for HA Nodes

On switchover, media set-up for playback is preserved, which requires negotiated codec and ptime for playback be transferred to the stand-by system in an HA node.

Regarding playback after switchover:

- When configured using SPL, any playback in progress will not be continued on switchover.
- When configured using ACLI, the system restarts active playback media on switchover.

While standard configuration replication handles transferring configuration information between the active and standby systems, media playback files (in `/code/media`) must be loaded onto the standby.

## Alarms

These are the alarms for local playback. They are MAJOR in severity, and do not impact the system health score.

Alarm	Description
Playback media file not found or couldn't be loaded	<p>Raised when a configuration is activated if the system cannot find a media file referenced configuration or if the system is unable to load the media file. This alarm clears automatically when a file is correctly referenced or when it is loaded properly.</p> <p>You might encounter this alarm if you have established playback configuration, but have not loaded the appropriate playback files to <code>/code/media</code>.</p>

Alarm	Description
Playback could not be started due to capacity limit (Valid only when using the SPL configuration method.)	Raised at call time when system has reached its maximum number of playbacks (100). This alarm must be cleared manually.
Playback could not be started due to unsupported codec	Raised at call time when there is a mismatch of codecs between those in available files and one that must be played. This alarm must be cleared manually.

## Monitoring

You can use the **show mbcd statistics** command to displays the number of media playbacks that are currently alive:

```
ORACLE# show mbcd statistics
MBCD Status                -- Period -- ----- Lifetime -----
                          Active  High  Total    Total  PerMax  High
Media Playback              0      5     5         6     0      6
```

You can use the **show mbcd errors** command to track the number of playback failures:

```
ORACLE# show mbcd errors
MBC Errors/Events          ---- Lifetime ----
                          Recent    Total  PerMax
Media Playback Fails       0         0      0
Playback Exh Resources     0         0      0
Playback Flow Inactive     0         0      0
Playback Mismatch          0         0      0
```



# 21

## How to use the ACLI

### The ACLI

The ACLI is an administrative interface that communicates with other components of the Oracle® Enterprise Session Border Controller. The ACLI is a single DOS-like, line-by-line entry interface.

The ACLI is modeled after industry standard CLIs. Users familiar with this type of interface should quickly become accustomed to the ACLI.

### Using the ACLI

You can access the ACLI either through a direct console connection or an SSH connection.

### Privilege Levels

There are two privilege levels in the ACLI, User and Superuser. Both are password-protected.

- User—At User level, you can access a limited set of Oracle® Enterprise Session Border Controller monitoring capabilities. You can:
  - View configuration versions and a large amount of statistical data for the system's performance.
  - Handle certificate information for IPsec and TLS functions.
  - Test pattern rules, local policies, and session translations.
  - Display system alarms.
  - Set the system's watchdog timer.
  - Set the display dimensions for your terminal.  
You know you are in User mode when your system prompt ends in the angle bracket (>).
- Superuser—At Superuser level, you are allowed access to all system commands and configuration privileges. You can use all of the commands set out in this guide, and you can perform all configuration tasks.  
You know you are in Superuser mode when your system prompt ends in the pound sign (#).

### Enabling Superuser Mode

To enable Superuser mode:

1. At the ACLI User prompt, type the enable command. You will be asked for your Superuser password.

```
ORACLE> enable
Password:
```

2. Enter your password and press <Enter>.

```
Password: [Your password does not echo on the display.]
ORACLE#
```

If your entry is incorrect, the system issues an error message and you can try again. You are allowed three failed attempts before the system issues an error message telling you that there are excess failures. If this occurs, you will be returned to User mode where you can start again.

## Debug Mode

Debug mode refers to a set of commands used to access low level functionality on the Oracle® Enterprise Session Border Controller. Users should not access debug mode commands unless specifically instructed to do so by Oracle Engineering or Support.

After booting your Oracle® Enterprise Session Border Controller for the first time with this image, if you have not executed the **debug-enable** command, you may not run debug level commands. The following appears on the screen:

```
ORACLE# shell

Shell access is disabled on this Session Director
ORACLE#
```

To enable debug mode access, use the **debug-enable** command. See the debug-enable command description in the ACLI Reference Guide.

Once you have executed the **debug-enable** command to set a debug level password, if you downgrade the software image, the password you set with **debug-enable** becomes the new shell password for earlier versions.

## System Access

You can access the ACLI using the different means described in this section.

### Local Console Access

Console access takes place via a serial connection to the console port directly on the Oracle® Enterprise Session Border Controller chassis. When you are working with the Oracle® Enterprise Session Border Controller at the console, the ACLI comes up automatically.

Accessing the ACLI through a console connection is the most secure method of connection, given that the physical location is itself secure.

## Remote SSH Access

SSH provides strong authentication and secure communications over unsecured channels. Accessing the ACLI via an SSH connection gives you the flexibility to connect to your Oracle® Enterprise Session Border Controller from a remote location over an insecure connection.

## ACLI Help and Display

The Oracle® Enterprise Session Border Controller's ACLI offers several features that aid with navigation and allow you to customize the ACLI so that you can work more efficiently.

- Alphabetized help output—When you enter either a command followed by a question mark, the output is now sorted alphabetically and aligned in columns. The exception is the exit command, which always appears at the end of a column.
- Partial command entry help—When you enter a partial command followed by a question mark, the new Help output displays only commands that match the letter you type rather than the entire list.
- The more prompt—You can set a more option in the ACLI that controls whether or not you can use more with any of the following commands: show, display, acl-show, and view-log-file. Turning this option on gives you the ability to view output from the command one page at a time. By default, this option is enabled. Your setting is persistent across ACLI sessions. With the more feature enabled, the ACLI displays information one page at a time and does so universally across the ACLI. A line at the bottom of the screen prompts you for the action you want to take: view the displays's next line or next page, show the entire display at once, or quit the display. You cannot change setting persistently, and need to change them every time you log in.
- Configurable page size—The page size defaults to 24 X 80. You can change the terminal screen size by using the new cli terminal height and cli terminal width commands. The settings for terminal size are not preserved across ACLI sessions.

## Exiting the ACLI

Typing exit at any ACLI prompt moves you to the next "higher" level in the ACLI. After exiting out of the User mode, you are logged out of the system.

## Navigation Tips

This section provides information about hotkeys used to navigate the ACLI. This information applies to both User mode and Superuser mode, although the specific commands available to those modes differ.

## Hotkeys

Hotkeys can assist you in navigating and editing the ACLI, and they also allow you to scroll through a list of commands that you have recently executed. These hotkeys are similar to those found in many other CLIs. The following table lists ACLI hotkeys and a description of each.

The following list describes general system hotkeys:

- <Ctrl-D>—Equivalent of the done command when used at the end of a command line. When used within a command line, this hotkey deletes the character at the cursor.
- <UParrow>—Scrolls forward through former commands.
- <DOWNarrow>—Scrolls backward through former commands.
- <tab>—Completes a partial command or lists all options available if the characters entered match multiple commands. Executed at the beginning of the command line, this hotkey lists the available commands or configurable elements/parameters.

The following list describes context-sensitive help hotkeys:

- <?>—Provides context-sensitive help. It functions both for ACLI commands and configuration elements and is displayed in alphabetical order.

The following list describes hotkeys to move the cursor:

- <Ctrl-B>—Moves the cursor back one character.
- <Esc-B>—Moves the cursor back one word.
- <Ctrl-F>—Moves the cursor forward one character.
- <Esc-F>—Moves the cursor forward one word.
- <Ctrl-A>—Moves the cursor to the beginning of the command line.
- <Ctrl-E>—Moves the cursor to the end of the command line.
- <Ctrl-L>—Redraws the screen.

The following list describes hotkeys to delete characters:

- <Delete>—Deletes the character at the cursor.
- <Backspace>—Deletes the characters behind the cursor.
- <Ctrl-D>—Deletes the character at the cursor when used from within the command line.
- <Ctrl-K>—Deletes all characters from the cursor to the end of the command line.
- <Ctrl-W>—Deletes the word before the cursor.
- <Esc-D>—Deletes the word after the cursor.

The following list describes hotkeys to display previous command lines:

- <Ctrl-P>—Scrolls backward through the list of recently executed commands.

## Command Abbreviation and Completion

This section describes how you can use abridged commands in the ACLI. Command completion can save you extra keystrokes and increase efficiency.

### Command Abbreviation

Commands can be abbreviated to the minimum number of characters that identify a unique selection. For example, you may abbreviate the configure terminal command to “config t.” You cannot abbreviate the command to “c t” because more than one command fits this criteria.

## Tab Completion

When you do not supply enough characters to identify a single selection, you can press <Tab> to view a list of commands that begin with the character(s) you entered. After you press <Tab>, the ACLI returns you to the system prompt and reprints the character(s) you originally typed. This enables you to complete the command with the characters that uniquely identify the command that you need. You can continue this process until enough characters to identify a single command are entered.

```
ORACLE# gen generate-certificate-request generate-key
```

```
ORACLE# generate-key
```

## Configuration Element and System Command Menus

Command menus and configuration element menus display similarly in the ACLI. The menus for each are divided into two columns. The first column lists all of the command and configuration elements available to a user working in this mode; the second column offers short explanations of each command or configuration element's purpose.

```
ORACLE(local-policy)# ?
from-address      from address list
to-address        to address list
source-realm      source realm list
description        local policy description
activate-time     policy activation date & time
deactivate-time   policy deactivation date & time
state             enable/disable local policy
policy-priority   priority for this local policy
policy-attributes list of policy attributes
select           select a local policy to edit
no               delete selected local policy
show            show selected local policy
done            write local policy information
exit           return to previous menu
```

## Context-Sensitive Help

In addition to the information that ACLI menus offer, context-sensitive help can assist you with navigation and configuration. Within this one-line entry, you have access to context-sensitive help that tells you what values are valid for a given field and when you have completed an entry. When the <ENTER> no further known parameters line appears, the ACLI is informing you that there is no subsequent information to enter.

To use the context-sensitive help, enter the name of the command or field with which you require assistance, followed by a <Space> and then a question mark (?). The context-sensitive help information appears.

In general, context-sensitive help provides more detailed information than within ACLI menus. For system commands, it prompts you about the information you need to enter

to execute a system command successfully. For configuration elements, it prompts you with a brief description of the field, as well as available values, ranges of values, and data types.

## Context-Sensitive Help for System Commands

The ACLI's context-sensitive help feature displays information you need to complete system commands and the body of subcommands available for each system command. In the following example, the show command menu appears. Typing a ? after a system command asks if the system requires further information to complete a specific command. The system responds with a list of available subcommands.

```
ORACLE# show ?
about                credit information for acli
accounting           accounting statistics
acl                 show host access table
algd                ALG status
arp                 ARP table
backup-config       show a backup configuration
balancer            show session load balancer information
bgfd                BGFd status
buffers            show memory buffer statistics
built-in-sip-manipulations Displays all built-in sip-manipulations
call-recording-server Call Recording Server Statistics
clock              system clock
configuration       show current configuration
directory          show files in a directory
dns                DNS information
enum               ENUM information
ext-band-mgr       External Bandwidth Manager status
ext-clf-svr        External CLF Server status
features           currently enabled features
h248d              H248D status
h323d              H323D status
health            system health information
hosts             show host table
imports           show all files available for import
interfaces        show network interfaces
ip                IP system information
logfile           Display a log file, 'enter' to display list
loglevel          loglevels of current processes
lrt               LRT (local-routing) information
mbcd              MBCD status
media             show media interface information
memory           memory statistics
monthly-minutes   monthly minutes information for a specified
realm
nat               show NAT table
neighbor-table    ICMPv6 neighbor table
net-management-control Network Management Controls Statistics
nsep-stats        NS/EP RPH call statistics
ntp              NTP status
packet-trace     displays the current packet trace addresses
policy-server     external policy server name
```

power	current state of each power supply
privilege	show current privilege level
processes	active process statistics
prom-info	show prom information
qos	show qos FPGA information
radius	radius accounting and authentication
statistics	
ramdrv	ramdrv space usage
realm	realm statistics
redundancy	redundancy status
registration	SIP Registration Cache status
route-stats	show routing statistics
routes	show routing table entries
running-config	current operating configuration
sa	security-associations information
security	security information
sessions	Session Statistics
show	
sipd	SIPD status
snmp-community-table	show snmp community table
snmp-info	show snmp
space	check the remaining space on the device
specified	
spl	SPL information
spl-options	display information on all SPL options
support-info	show all required support information
system-state	current system-state
tacacs	tacacs authorization, accounting and
authentication statistics	
temperature	current SD temperature readings
timezone	show timezone for the system (start and end
time in mmddHH format)	
trap-receiver	show snmp trap receivers
uptime	system uptime
users	currently logged in users
version	system version information
virtual-interfaces	show virtual interfaces
voltage	current SD voltages (SD-II only)
wancom	show wancom interfaces

The system responds with a no further known parameters if there are no subcommands.

```
ORACLE# show about ?
<ENTER!> no further known parameters
ORACLE# show about
```

## Viewing Output With the More Prompt

When the output of a command is too large to fit your screen, the system displays the output in smaller sections. At the end of a section a message is displayed with your options:

- <Space> —Display the next section of output

- <q>—Quits and returns to the system prompt
- <c>—Displays the rest of the output in its entirety

```

ORACLE# show ?
about                credit information for acli
accounting           accounting statistics
acl                 show host access table
algd                ALG status
arp                 ARP table
backup-config       show a backup configuration
balancer            show session load balancer information
bgfd                BGFDF status
buffers             show memory buffer statistics
built-in-sip-manipulations Displays all built-in sip-manipulations
call-recording-server Call Recording Server Statistics
clock               system clock
configuration       show current configuration
directory           show files in a directory
dns                 DNS information
enum                ENUM information
ext-band-mgr        External Bandwidth Manager status
ext-clf-svr         External CLF Server status
features            currently enabled features
h248d               H248D status
h323d               H323D status
health              system health information
hosts               show host table
imports             show all files available for import
interfaces          show network interfaces
ip                  IP system information
logfile             Display a log file, 'enter' to display
list
('space' for next page; 'q' to quit; 'enter' for next line; 'c' to
continue)

```

## Disabling the More Prompt

If you don't want the Oracle® Enterprise Session Border Controller to display the More prompt, you can disable it using the cli command.

```

ORACLE# cli more disabled
The ACLI 'more' option has been disabled
ORACLE#

```

## Configuring Using the ACLI

This section describes the two ACLI methods available for configuring the Oracle® Enterprise Session Border Controller using line-by-line ACLI commands.



## Line-by-Line Commands

Using line-by-line commands, you can target a specific field for editing. Line-by-line commands appear in the ACLI as their name suggests: each argument consists of a parameter followed by a valid value, both on one line.

At any time, you can access either the element menu or the context-sensitive help to guide you. In the following example, you enter values for three parameters, and then issue the show command to check your work. Finally, type done to save your configuration.

```
ORACLE(trap-receiver)# ip-address 10.0.0.1
ORACLE(trap-receiver)# filter-level major
ORACLE(trap-receiver)# community-name acme
ORACLE(trap-receiver)# show
trap-receiver
    ip-address
10.0.0.1
    filter-level
Major
    community-name
acme
ORACLE(trap-receiver)# done
```

## Working with Configuration Elements

Configuring elements involves entering the ACLI path to the configuration element you want to configure, and then entering the parameter name followed by a space and proper data in accordance with the required format.

A common set of commands appear in all configuration elements, and are not applicable for user and superuser commands. These commands are:

- **select**—Used to select a configuration element to edit or view.
- **no**—Used to delete the current configuration element object.
- **show**—Used to view the current values of parameters in the selected configuration element.
- **done**—Used to save configuration changes.
- **exit**—Used to exit the current configuration element or path to the next higher level.

## Creating configurations

Creating configuration elements involves first traversing to the ACLI path to enter configurations. Once you are in the element you want to configure, enter a parameter name followed by a value.

```
ORACLE(trap-receiver)# ip-address 10.0.0.1
ORACLE(trap-receiver)# filter-level major
```

```
ORACLE(trap-receiver)# community-name acme
ORACLE(trap-receiver)# done
```

## Saving configurations with the done command

At all levels of the ACLI hierarchy, there are several methods of saving your settings and data.

- The **done** command, which is entered within a configuration element.
- The hotkey **<Ctrl-D>**, which is entered within a configuration element. This enters the done command in the command line and saves your information.

The Save Changes y/n ? # prompt appears when you **exit** a configuration element without saving your changes . This prompt only appears if you have changed old information and/or entered new information.

Every configuration element contains the **done** command.

We strongly recommend that you save your configuration information as you work. This ensures that your configurations have been written to the system database.

```
ORACLE(snmp-community)# done
community-name          acme_community
access-mode             READ-ONLY
ip-addresses            10.0.0.2
last-modified-by
last-modified-date
ORACLE(snmp-community)#
```

## Viewing configurations with the show command

We recommend that you view all of the information you have entered before carrying out the done command or another method of saving. Use the show command to review your configurations. Reviewing your settings will give you the opportunity to make any necessary changes before writing the information to the system database.

To view configuration information, type show when you are finished with a line-by-line entry. The following example illustrates the use of the **show** command before executing the done command.

```
ORACLE(host-route)# show
host-route
dest-network           10.1.0.0
netmask                255.255.0.0
gateway                172.30.0.1
description            Test host route
last-modified-by      admin@console
last-modified-date    2014-01-15 17:12:07
```

## Navigating the configuration tree with the exit command

The **exit** command moves you to the next-higher location in the configuration tree. In addition, when you use the **exit** command and have not already saved your changes, the ACLI produces the following message:

```
Save Changes y/n #
```

When this line appears, the ACLI is prompting you to save your configurations. This prompt only appears if you have changed old information or entered new information.

If you type anything other than a y in response to the `Save Changes y/n ? #` prompt, the system will interpret that character as a no response and will not save your work. You must type a y to save your work.

## Choosing configurations with the select command

Editing individual configurations in the ACLI involves finding the element or field you need to update, entering the new information, and then saving the element.

To select an existing configuration element:

1. Enter the configuration path of the element for which you want to edit.
2. Use the **select** command to choose an element to update. A list of options appears when you press <Enter> at the key field prompt (e.g., <name:>).
3. Enter the number corresponding to the element you would like to update and press <Enter>. If there are no elements configured, you will still be presented with the prompt, but no list will appear. When you press <Enter> at the key field prompt, you will be returned to the system prompt.

```
ORACLE(phy-interface)# select
<name>: <Enter>
1: phyTEST
2: phyTEST-RIGHT
3: mn1
selection:3
ORACLE(phy-interface)#
```

4. Use the **show** command to display all configured values of the selected configuration element.

```
ORACLE(phy-interface)#show
phy-interface
      name                mn1
  operation-type          Control
      port                 0
      slot                 0
  virtual-mac
  wancom-health-score     55
  overload-protection     disabled
  last-modified-by        admin@console
  last-modified-date      2012-11-12 11:02:09
```

5. Optionally make any changes you to parameters in the selected configuration element. You can also overwrite parameters by entering a new value after a previous value has been created.
6. Use the **done** command to save your updates.

## Deleting configurations with the no command

There are two methods of deleting configurations.

- You can delete the information for elements while you are still working with them.
- You can delete all configuration information for a previously configured element.

For either method, use the **no** command to clear configurations. Only Multiple Instance Elements can be deleted from the system. Single Instance Elements can not be deleted; they can only be edited.

## Deleting an existing configuration element example

You can only delete configurations from within their ACLI path. Use the **select** command to choose the configuration element you want to delete.

To delete an existing element:

1. Enter the ACLI path to the element you wish to delete.
2. Enter the **no** command. After you do so the key field prompt (e.g., <name:>) appears with a list of the existing configured elements beneath it.

```
ORACLE(media-profile)# no
<name>: <Enter>
1: PCMU
2: G723
3: G729
```

3. Enter the number corresponding to the element you wish to delete.

```
selection:3
```

4. To confirm the deletion, use the **select** command to view the list of remaining elements.

```
ORACLE(media-profile)# select
<name>: <Enter>
1: PCMU
2: G723
```

## ACLI Configuration Summaries

The ACLI offers several ways for you to view configuration summaries. While the most straightforward and commonly-used method is the **show** command, the ACLI also provides summary information every time you execute the **done** command.

## Viewing Summaries

The show command that appears for each ACLI configuration element allows you to view the configured information for a given element. The following example shows how to view media-profile configuration summaries.

To view the settings for the media-profile element:

1. Enter the media-profile configuration element through the ACLI path.

```
ORACLE# configure terminal
ORACLE(configure)# session-router
ORACLE(session-router)# media-profile
ORACLE(media-profile)#
```

2. From media-profile, use the select command. The **<name>**: prompt and a list of configured media-profile elements appear.

```
ORACLE(media-profile)# select
<name>:
1: PCMU
2: G723
3: G729
```

3. Select the configured media profile you want to view by entering the corresponding number and press the <Enter> key.

```
selection: 1
```

4. Type **show** and press the <Enter> key.

```
ORACLE(media-profile)# show
media-profile
      name                PCMU
      subname
      media-type          audio
      payload-type
      transport           RTP/AVP
      req-bandwidth       0
      frames-per-packet   0
      parameters
      average-rate-limit  0
      peak-rate-limit     0
      max-burst-size      0
      sdp-rate-limit-headroom 0
      sdp-bandwidth       disabled
      police-rate         0
      standard-pkt-rate   0
      last-modified-by
      last-modified-date
```

## Data Entry

To enter data using the ACLI, your entries must conform to required field formats. This section describes these formats, gives information about preset values, default values, and error messages.

The final part of this section covers information about using quotation marks (""") and parentheses (()) to enhance your data entry options and capabilities.

Note that, unless specified by the criteria of a specific field, the maximum number of characters that you can enter to a single ACLI command is 1023.

## ACLI Field Formats

This section describes required data entry formats. You can learn the data type for a field by using the menu or the help function.

## Boolean Format

Boolean entries take the form of either enabled or disabled. To choose one of these two values, type either enabled or disabled.

## Carrier Format

Carrier entries can be from 1 to 24 characters in length and can consist of any alphabetical character (Aa-Zz), numerical character (0-9), punctuation mark (! "\$ % ^ & \* () + - = ' | { } [ ] @ / \ ' ~ , . \_ : ; ), or any combination of alphabetical characters, numerical characters, or punctuation marks. For example, both 1-0288 and acme\_carrier are valid carrier field formats.

## Date Format

Date entries must adhere to the ccYY-mM-dD format, where cc is the century, YY is the year, mM is the month, and dD is the day (e.g., 2005-06-10). The minimum entry requirement for date fields is YY-M-D.

The Oracle® Enterprise Session Border Controller can assign the current century (cc) information, as well as leading zeroes for the month (m) and the day (d). Date fields must be entered in the valid format described above.

## Date and Time Format

The date and time format displays both the date and time and adheres to the yyyy-mm-dd hh:mm:ss.zzz or yyyy-mm-dd-hh:mm:ss.zzz where y=year, m=month, d=day, h=hours, m=minutes, s=seconds, and z=milliseconds.

## Day of Week Format

Day of week entries set any combination of day(s) of the week plus holidays that the local-policy-attributes can use for preference determination. The day of week field options are:

- U—Sunday
- M—Monday
- T—Tuesday
- W—Wednesday
- R—Thursday
- F—Friday
- S—Saturday
- H—Holiday

This field format cannot accept spaces. For example, U-S and M,W,F are valid day of week field entries.

## Enumerated Format

Enumerated parameters allow you to choose from a preset list of values. To access the list of choices from within the ACLI, use the help function for the appropriate parameter.

## Hostname (or FQDN) Format

Hostname (FQDN) entries consist of any number of Domain Labels, separated by periods, and one Top Label. The minimum field value is a single alphabetical character to indicate the top label value (e.g., c to indicate '.com').

All hostname fields support IPv4 addresses as well as hostnames.

For Example: In the hostname acme-packet.domainlabel.example100.com, acme-packet is a domain label, domainlabel is a domain label, example100 is a domain label, and com is the top label.

- domain label—acme-packet, domainlabel, example100
  - top label—com
- Note that each label is separated by a period.

The following describes hostname (FQDN) format label types:

- Domain Label—A domain label consists of any number or combination of alphabetical or numerical characters, or any number or combination of alphabetical or numerical characters separated by a dash (-). A dash must be surrounded on both sides by alphabetical or numerical characters, any number or combination. A dash cannot immediately follow or precede a period (.). A domain label is not required in a hostname field value.
- Top Label—A top label is the last segment of the hostname. A top label must start with an alphabetical character; it cannot start with a numerical character or with a dash (-). After the first character, a top label can consist of any number, or combination of alphabetical or numerical characters or any number or combination of alphabetical or numerical characters separated by a dash. Similar to dashes in domain labels, a top label dash must be surrounded on both sides by alphabetical or numerical characters, any number or combination. A single alphabetical character is the minimum requirement for a hostname field value.

## IP Address Format

IP address entries must follow the dotted decimal notation format and can only include numerical characters (0-9). Entries for an IP address field should be between 0.0.0.0 and 255.255.255.255.

## Name Format

Name entries must start with an upper- or lower- case alpha numeric character(A-Z, a-z, 0-9) or an underscore symbol (`_`). The length of a name entry can continue for another 127 characters for a total of 128 characters. Additional valid characters in the 2nd -128th position include period (`.`), dash (`-`), and additional underscores (`_`) (e.g., `acmepacket_configuration`).

## Number Format

Number entries (e.g., phone number digits without dashes, any address that is not a hostname, etc.) can be any numerical character (0-9) or alphabetical character from A through F (A-Fa-f) or any combination of numerical and alphabetical characters from A through F (0-9A-Fa-f) (e.g., 18005551212 or 18005552CAB). The minimum number of characters for a number entry is 1, and the maximum number is 32.

## Text Format

Text entries (e.g., description fields) do not need to follow a particular format. Text fields can accommodate any combination of printable numerical and alphabetical characters, spaces, and most symbols. Noted exceptions are the ampersand (`&`), the apostrophe (`'`), and the less than symbol (`<`). Entries with spaces must be entered fully within quotation marks. For example, "This is the official Oracle® Enterprise Session Border Controller configuration" is a valid text entry.

## Time of Day Format

Time of day entries must include only numerical characters (0-9) and must follow the 4-digit military time format (e.g., 1400). Time of day entries set the time of day that attributes can be considered for preference determination. The minimum field value is 0000, and the maximum field value is 2400.

## Preset Values

All configurations share one field: last-modified-date. This field value is set by the system database and can not be altered. It displays the date and time of the last modified action. The system sets this value automatically.

## Default Values

By default, the system populates some ACLI values with preset system values if you do not configure them.



## Error Messages

The ACLI produces error messages when information cannot be saved or commands cannot be executed. These events may occur when there is a problem either with the command itself, the information entered, the format of the information entered, or with the system in general.

For example, if you enter several words for a description and you do not put the entry inside quotation marks, the ACLI will tell you that you have entered an invalid number of arguments. In the example below, a user entered a media-type field value of “audio visual,” but did not enclose the value in quotation marks (“”).

```
ORACLE(media-profile)# media-type audio visual
invalid number of arguments
ORACLE(media-profile)#
```

When the value does not conform to format requirements, the ACLI returns a message that you have made an invalid entry for a given field. In the example below, a user entered an invalid IP address.

```
ORACLE(snmp-community)# ip-addresses (1877.5647.457.2 45.124 254.65.23)
invalid IP address
ORACLE(snmp-community)#
```

Message	Description
error invalid data...	You have entered a value not permitted by the system. This error includes numeric values that exceed defined parameters and misspellings of specifically spelled values (such as “enabled” or “disabled”).
% command not found	You entered a command that is not valid. The command may be misspelled, or it may not exist where you are working.
invalid selection...	You have selected an item that does not exist in the system.
invalid number of arguments	You either have entered too many arguments (or commands) on one line or you may not have quotation marks (“”) around your multi-word entry.
error 500 saving ...	The system could not save the data you entered to the system database.

## Special Entry Types Quotation Marks and Parentheses

The ACLI uses certain syntax in order to increase ease of use.

- Quotation marks (“”)—The values inside quotation marks are read as being one argument; commonly used in text fields.
- Parentheses (())—The values inside parentheses are read as being multiple arguments for an element.

## Multiple Values for the Same Field

To enter multiple values for the same field, you can either use quotation marks (“”) or parentheses (()) in order to express these values to the system. In a field that might

contain multiple values, you must use either of these when you enter more than one value.

Your use of either of these methods signals to the system that it should read the data within the punctuation marks as multiple values. The following example shows how parentheses () are used in an instance of the local-policy element.

In the example that follows, there are three entries for the to-address in the parentheses ().

 **Note:**

If you enter multiple values within either quotation marks (") or parentheses (), be sure that the closing marks are made directly after the final value entered. Otherwise, the system will not read your data properly.

```
ORACLE(local-policy)# to-address (196.154.2.3 196.154.2.4
196.154.2.5)
ORACLE(local-policy)# show
local-policy
    from-address
                                *
    to-address
                                196.154.2.3
                                196.154.2.4
                                196.154.2.5
    source-realm
                                public
    description
    activate-time
                                N/A
    deactivate-time
                                N/A
    state
                                enabled
    policy-priority
                                none
    last-modified-by
    last-modified-date
```

## Multi-Word Text Values

For many fields, you may want to enter a multi-word text value. This value may either be a series of descriptive words, a combination of words and numbers that identify a location, or a combination of words and numbers that identify a contact person.

To enter a multi-word text value, surround that value either with quotation marks (") or parentheses (). Generally, quotation marks are most commonly used to configure text fields. The example below shows how quotation marks (") surround a multi-word value.

```
ORACLE(session-router-config)# holidays
ORACLE(session-router-holidays)# date 2008-01-01
ORACLE(session-router-holidays)# description "new year's day"
ORACLE(session-router-holidays)# done
    holiday
```

---

date	2010-10-10
description	sample day

## An Additional Note on Using Parentheses

Parentheses can be used in the ACLI to enter multiple arguments on the same line. A command line can contain any number of entries inside parentheses. Single parentheses (()) connote one list, nested parentheses ((( ))) connote a list within a list, and so forth.

## Option Configuration

The options parameter shows up in many configuration elements. This parameter is used for configuring the Oracle® Enterprise Session Border Controller to behave with either non-standard or customer-specific behavior.

Several options might be configured for a single configuration element. Every time you configure the option parameter, you overwrite the previously configured option list for the selected instance of the configuration element.

There is a shortcut to either add or delete a single option to the full option list. By typing a "+" to add or a "-" to subtract immediately before an option, you can edit the currently configured option list.

## Append Example

With the forceH245 option preconfigured, you can append a new option without deleting the previously configured option :

```
ORACLE(h323)# options +noAliasInRCF
ORACLE(h323)# show
h323-config
      state                enabled
      log-level            NOTICE
      response-tmo         4
      connect-tmo          32
      rfc2833-payload      101
      alternate-routing    proxy
      codec-fallback       disabled
      enum-sag-match       disabled
      remove-t38           disabled
      options              noAliasInRCF
      last-modified-by     admin@console
      last-modified-date   2014-01-14 20:17:42
```

## Delete Example

You can also delete a single existing option from the options list. Continuing from the previous example:

```
ORACLE(h323)# options -forceH245
ORACLE(h323)# show
h323-config
```

state	enabled
log-level	NOTICE
response-tmo	4
connect-tmo	32
rfc2833-payload	101
alternate-routing	proxy
codec-fallback	disabled
enum-sag-match	disabled
remove-t38	disabled
options	noAliasInRCF
last-modified-by	admin@console
last-modified-date	2014-01-14 20:19:43

# 22

## Appendix RTC Support

### RTC Support

This appendix summarizes real-time configuration (RTC) support status for the Oracle® Enterprise Session Border Controller . The table below lists which configuration elements are supported by RTC and which are not.

<b>ACLI Configuration Elements</b>	<b>Parameter Details</b>
Access Control	N/A
Accounting Config	N/A
Authentication	N/A
Certificate Record	N/A
Class Profile	N/A
Codec Policy	N/A
DNS ALG Service	N/A
DNS Config	N/A
Enum	N/A
External Policy Server	N/A

ACLI Configuration Elements	Parameter Details
H.323	<p>The following H.323 stack subelement parameters are not RTC supported in that, if you save and activate a configuration, calls already in progress are dropped and a reboot is required:</p> <ul style="list-style-type: none"> <li>• state</li> <li>• isgateway</li> <li>• realm-id</li> <li>• assoc-stack</li> <li>• options</li> <li>• proxy-mode</li> <li>• local-ip</li> <li>• max-calls</li> <li>• max-channels</li> <li>• registration-ttl</li> <li>• terminal-alias</li> <li>• prefixes</li> <li>• ras-port</li> <li>• q931-port</li> <li>• auto-gk-discovery</li> <li>• multicast</li> <li>• gatekeeper</li> <li>• h245-tunneling</li> <li>• gk-identifier</li> <li>• alternate-transport</li> <li>• q931-max-calls</li> <li>• filename</li> </ul>
Host Route	N/A
IPSEC	N/A
IWF	N/A
Licensing	N/A
Local Policy	N/A
Local Response Map	N/A
Local Routing Config	N/A
Media Manager	<p>The Media Manager element is supported with the exception of the following parameters:</p> <ul style="list-style-type: none"> <li>• red-flow-port</li> <li>• red-max-trans</li> <li>• red-sync-start-time</li> <li>• red-sync-comp-time</li> </ul>
Media Policy	N/A
Media Profile	N/A
Network Interface	N/A
Net Management Control	N/A
Network Parameters	<p>The Network Parameters element is supported with the exception of the following parameters:</p> <ul style="list-style-type: none"> <li>• SCTP parameters</li> </ul>
NTP Sync	N/A
Packet Trace Config	N/A
Q850 SIP Map	N/A

ACLI Configuration Elements	Parameter Details
Realm Config	N/A
Redundancy Config	The Redundancy Config element is supported with the exception of the following parameters: <ul style="list-style-type: none"> <li>state</li> <li>port</li> <li>cfg-port</li> <li>cfg-max-trans</li> <li>cfg-sync-start-time</li> <li>cfg-sync-comp-time</li> </ul>
Session Agent	N/A
Session Group	N/A
Session Router	N/A
Session Constraints	N/A
Session Translation	N/A
SIP Config	The SIP Config element is supported with the exception of the following parameters: <ul style="list-style-type: none"> <li>red-sip-port</li> <li>red-max-trans</li> <li>red-sync-start-time</li> <li>red-sync-stop-time</li> </ul>
SIP Feature	N/A
SIP Interface	The SIP Interface element is supported with the exception of the following parameters: <ul style="list-style-type: none"> <li>collect, boot-state</li> </ul>
SIP Manipulation	N/A
SIP NAT	The SIP NAT element is supported with the exception of the following parameters: <ul style="list-style-type: none"> <li>ext-address</li> </ul>
SIP Response Map	N/A
SNMP	N/A
Static Flow	N/A
Steering Pool	N/A
Surrogate Agent	N/A
System	The System Config element is supported with the exception of the following parameters: <ul style="list-style-type: none"> <li>options</li> </ul>
Test Pattern Rule	N/A
Test Policy	N/A
Test Translation	N/A
TLS Global	When configured to support MSRP over TLS, this configuration element is not RTC enabled. If a single TLS profile is used by both SIP and MSRP, RTC changes are applied for the SIP TLS configuration only.
TLS Profile	N/A
Translation Rules	N/A
Trap Receiver	N/A

# 23

## Maintenance and Troubleshooting

### Software Watchdog and Monitoring Timer

The Oracle® Enterprise Session Border Controller (E-SBC) software provides a watchdog to monitor software threads at regular intervals to help you understand the health of the system and to aid root cause analysis of unsuccessful calls. The software watchdog detects unresponsive threads and responds with a configurable action, such as generating a log file or a core file or rebooting. The software watchdog timer controls the frequency of software watchdog monitoring through an internal algorithm and a configurable interval setting.

The system launches the software watchdog by way of the **tHealthCheckd** task upon boot up and begins monitoring threads registered to the **threadHealthCheckList**. Each registered thread periodically updates its health on an interval that you can set with the **task\_health\_check\_time** option in **system-config**. Note that the **tHealthCheckd** task monitors only registered applications, and does not monitor any platform tasks.

When a thread returns a health reference count of 0, the system defines the thread as unresponsive. The software watchdog responds with the **sw-health-check-action** that you set in **system-config**.

You can exclude threads from monitoring with the **sw-health-check-exclude** option in **system-config**.

### Software Watchdog Timing

The software watchdog (**tHealthCheckd**) checks each registered thread for its health status on an interval triggered by the software watchdog timer. The software watchdog timer triggers the software watchdog after each thread runs its own health check (**task\_health\_check\_time**) on the interval you set. You can set the health check interval from the default of 5 seconds up to 120 seconds with the **task\_sw\_health\_check\_time** option in **system-config**. The setting applies to all threads on the **threadHealthCheckList**. You cannot set an interval per thread.

The software watchdog timer uses the following algorithm to determine how often it alerts the software watchdog to check the threads:

$3 \times \text{task\_health\_check\_time} + 1 \text{ second}$ .

For example, suppose you set the health check interval to the default value of 5 seconds. The software watchdog timer multiplies 5 seconds x 3 to allow the threads to make up to 3 attempts to get a reference count in 5 second intervals for a total of 15 seconds. The algorithm adds 1 second to the configured interval and directs the software watchdog to check the threads every 16 seconds. Because some threads might respond on the first attempt and others might not respond until the second or third attempt, the system allows the full interval to pass before triggering the software



watchdog. The extra second ensures that the each thread can use the full interval to report its health before the software watchdog begins.



#### Note:

The software watchdog monitors threads on both the Active and the Standby in an HA pair.

## Software Watchdog Response Actions

When a monitored thread returns a health reference count of 0, the system defines the thread as unresponsive and responds with the **sw-health-check-action** that you set in **system-config**.

- Log—Back trace the unresponsive thread and display the log message "No health update reported by task." Generates the **apUsbcSysThreadNotRespondingTrap** trap.  
See the **apUsbc** MIB in the *MIB Reference Guide* for the **apUsbcSysThreadNotRespondingTrap** trap definition.
- Log Reboot—Adds rebooting to logging.
- Log Core Reboot (default)—Adds generating a core file to logging and rebooting.



#### Note:

Any change to the response settings requires a reboot.

## Show the Thread Health Status

To see the health status of monitored threads, use the **show platform health-check** command from the CLI.

Example of the **show platform health-check** display.

Name	State	Count	Duration
tLrtd	RUNNING	2	-
lRtdWorkerThread	RUNNING	1	-
tLid	RUNNING	3	-
sipd01	EXCLUDED	-	-
sipd02	EXCLUDED	-	-
tSecured	RUNNING	3	-
ldapWorker01	PAUSED	-	6

#### Name

The name of the monitored thread.

### State

The state tells you whether or not the thread is being monitored.

**Running**—The thread is included in monitoring. Displays a value in the Reference Count column. Displays no value in the Duration column.

**Excluded**—The thread is excluded from monitoring. Displays no values in the Reference Count and Duration columns.

**Paused**—The watchdog paused monitoring the thread. For example, a thread might pause when the system is about to activate a configuration, or perform some other work. Displays no value in the Reference Count column. Displays a value in the Duration column, which indicates the number of seconds remaining before the watchdog defines the thread as unresponsive.

### Reference Count

Each thread runs an internal counter to report its health and displays the following values in the log for referencing the health of the thread.

3 = Responding, and healthy.

2 = Responding slowly.

1 = Responding slowly.

0 = Not responding. The watchdog considers the thread unresponsive and initiates the action that you configured.

### Duration

When the software watchdog pauses monitoring, the Duration column in the log shows how many seconds remain until the system resumes monitoring the paused thread.

## Configure the Software Watchdog

The Oracle® Enterprise Session Border Controller (E-SBC) monitors a default set of software worker threads at a default interval, and applies a default action to an unresponsive thread. You can change the defaults by way of Options in **system-config**. You must reboot the system after configuring any of the options.

1. Access the **system-config** configuration element.

```
ORACLE# configure terminal
ORACLE(configure)# system
ORACLE(system)# system-config
ORACLE(system-config)#
```

2. Type **select** to begin editing the **system-config** object.

```
ORACLE(system-config)# select
ORACLE(system-config)#
```

3. Set one or more of the following Options:

- Set the **task\_health\_check\_time** option to the preferred interval in seconds. Range: 5-120 seconds. Default: 5 seconds.

```
ORACLE(system-config)# option +task-health-check-time=10
```

- Set the **sw-health-check-action** option for the system response that you want when a thread stops responding. Valid values: logonly | logandrestart | logcoreandrestart. Default: logonly.

```
ORACLE(system-config)# option +sw-health-check-action=logonly
```

- Set **sw-health-check-exclude** option to exclude one or more threads from monitoring. Valid values: worker threads and specific threads. Default: None. Separate multiple threads with a comma.

```
ORACLE(system-config)# option +sw-health-check-exclude="atcpdWorker,sipdWorker"
```

4. Type **done** to save your configuration.
5. Reboot the system.

## Advanced Logging

Advanced Logging allows targeted logging by overriding log levels, so that only a specific SIP request and its related messages get logged. The system matches criteria that you configure to determine which requests to log. The system also logs all messages related to the request, such as any responses, in-dialog messages, media, timers, and so on. Advanced Logging supports multiple matching criteria for incoming requests and rate limiting. Advanced log files are smaller than debug files because the system logs only the specified number of matches in the specified period of time. Since the files are smaller, Advanced Logging uses fewer system resources than debug logging. To make searching easier, the system labels each log.

You can deploy advanced logging by way of configuration. You configure the **sip-advanced-logging** element and **adv-log-conditions** subelement on the session router according to the logging targets.

You can control when logging occurs by enabling or disabling individual advanced logging objects using the **state** parameter. This allows you to retain advanced logging configurations on the system and simply start and stop logging against those objects when needed.

By executing the **notify sipd conditional-log disable** command, you can disable the ability to trigger all of the configured sip-advanced-logging objects.

```
ORACLE#notify sipd conditional-log-disable
```

Any active sip-advance-logging instances continue to log because the command only disables the ability to trigger new instances. You can restore the ability to trigger new instances for all sip-advance-logging objects with the **notify sipd conditional-log-enable** command .

The system provides the following options for configuring the scope of advanced logging.

- Request-only. Logs only the matched message.
- Transaction. Logs only the request and the response.
- Session. Logs the matched message and anything else related to the session.
- Session and Media. Logs the matched message, anything related to the session, and media.

The system provides the following options for configuring the advanced logging criteria.

- Received Session-Agent, by IP address or hostname.
- Request Types, such as INVITE vs. SUBSCRIBE.
- Received Realm Name.
- Request URI. User and host. Limited to 2 condition entries, when using both types.
- To header. User and host. Limited to 2 condition entries, when using both types.
- From header. User and host. Limited to 2 condition entries, when using both types.
- Call-id. Matches the Call-id header.
- Rate Limiting. By specified number of matched requests over a specified period of time.
- Scope of Logging. Options include Request Only, Transaction, All Relating to Session, All Relating to Session and Media.

When you enable a **sip-adv-logging** object, applicable events trigger this logging by the Sipd (SIP signaling) process, resulting in log messages from it. The Sipd process also propagates advanced logging to the Atcpd (TCP connections), Ebmd (bandwidth management), Lrtd (local routing table), Radd (accounting), and Middle Box Control Daemon (MBCD) processes, resulting in additional log messages from them. In addition, Mbcd events, including asynchronous 2833, flowguard timer and latching events, can propagate conditional logging to Sipd, resulting in log messages from Sipd.

### Behavior During High Availability Synchronization

When the system is synchronizing a thread at the same time that thread is performing advanced logging, this logging continues on the standby while the replication takes place. This logging on the standby, however, stops after replication is complete, with the exception of sip-sessions and media flows.

Threads associated with sip-sessions and flows continue to store their logging state after replication. The logging state is stored in either the session or flow. When a switchover happens while a thread is processing one of these sessions or flows, the system finds the stored logging state and continues logging even though the event was triggered on the other node of the HA pair.

## Configure Advanced Logging - Command Line

You can enable advanced logging and set the log matching criteria from the command line by way of the AdvancedLogging.lua SPL-plugin. When adding log matching criteria, note that within in each set of criteria:

- an AND relationship means that all conditions must match before the system generates the log.

- an OR relationship means that only one set of conditions must match before the system generates the log.

**Note:**

The system does not require you to **save** and **activate** after performing this procedure.

**Procedure**

1. Use the `spl start sip advanced-logging` command to enable advanced logging.
2. Use the following commands to configure advanced logging.
  - `spl set sip advanced-logging add-criteria`—Adds another set of matching criteria.
  - `spl set sip advanced-logging log-label <label string>`—Any logs of requests that are matched will have the specified `<label string>` appended before each log message for easier searching.
  - `spl set sip advanced-logging rate-count <match count>`—Sets the rate-limiting to log only `<match count>` number of matching requests per time window.
  - `spl set sip advanced-logging rate-time <time window>`—Sets the rate-limiting time window in seconds.
  - `spl set sip advanced-logging in-agent <session-agent>`—Adds to the current set of matching criteria that the request must come from the specified incoming session-agent hostname.
  - `spl set sip advanced-logging in-realm <realm-id>`—Adds to the current set of matching criteria that the request must come from the specified incoming realm identifier.
  - `spl set sip advanced-logging request-type <method name>`—Adds to the current set of matching criteria that the request must be of the specified request method type, for example, INVITE and REGISTER.
  - `spl set sip advanced-logging from-uri-host <FROM URI host portion>`—Adds to the current set of matching criteria that the request FROM headerURI host portion must match the specified value exactly.
  - `spl set sip advanced-logging from-uri-user <FROM URI username portion>`—Adds to the current set of matching criteria that the request FROM headerURI username portion must match the string and the specified value exactly.
  - `spl set sip advanced-logging to-uri-host <TO URI host portion>`—Adds to the current set of matching criteria that the request TO headerURI host portion must match the string and the specified value exactly.
  - `spl set sip advanced-logging to-uri-user <TO URI username portion>`—Adds to the current set of matching criteria that the request TO headerURI username portion must match the string and the specified value exactly.
  - `spl set sip advanced-logging request-uri-host <RURI host portion>`—Adds to the current set of matching criteria that the request RURI headerURI host portion must match the string and the specified value exactly.

- `spl set sip advanced-logging request-uri-user <RURI username portion>`— Adds to the current set of matching criteria that the request RURI headerURI username portion must match the string and the specified value exactly.
- `spl set sip advanced-logging header <header-type> <header-value>`— Adds to the current set of matching criteria that the request must have a header of type <header-type> with a value of <header-value> with exact string matches.

## Configuring Advanced Logging

From Configure mode, define `sip-advanced-logging` and `advanced-log-condition`. The criteria that you configure remaps the message logging and modifies the system configuration. You must save and activate the changes to the configuration. When configuring multiple `sip-advanced-logging` configurations, note the following:

- The system evaluates each configuration individually in an **OR** relationship.
- The system evaluates all conditions and they must all match in an **AND** relationship.

### 1. Access the **ifc-profile** configuration element.

```
ORACLE# configure terminal
ORACLE(configure)# session-router
ORACLE(session-router)# sip-advanced-logging
ORACLE(sip-advanced-logging)#
```

### 2. Configure the following parameters.

- **Name.** Name to display on the log message for this set of criteria.
- **State.** Activates or deactivates this advanced logging object.
- **Level.** Type one: zero, none, emergency, critical, major, minor, warning, notice, info, trace, debug, or detail.
- **Scope.** Type one: request-only, transaction, session, or session-and-media.
- **Matches-per-window.** Type a number between 1 and 999999999 for how many matches to log per window of time.
- **Window-size.** Type a number between 1 and 999999999 seconds for the length of time the logging window is open.
- **Type conditions.**  
The system displays the `adv-log-condition` subelement.

### 3. Select the **sip-advanced-logging > conditions** object to edit, or create a new one.

```
ORACLE(sip-advanced-logging)# adv-log-condition
ORACLE(adv-log-condition)# select
<name>:
1: name=condition1

ORACLE(adv-log-condition)#
```

### 4. From the `adv-log-condition` prompt, configure the following:

- Match-type. Type one or more of the following sip objects with either the "and" or the "or" operator between objects: request-type, recv-agent, recv-realm, request-uri-user, request-uri-host, to-header-user, to-header-host, from-header-user, from-header-host, or call-id.
- Match-value. Type the incoming message text string that you want to match.  
For example, to match "To-header-user" to the value 1234@<companyname>.com, type "to-header-user" for Match type and type "1234" for Match value.

 **Note:**

The match-value parameter does not support regex expressions.

5. Type **done** (twice) to retain your sub-element and element configuration.
6. Exit, save, and activate.

## Disable Advanced Logging - Command Line

Confirm that advanced logging is enabled by way of the AdvancedLogging.lua SPL-plugin.

You can disable advanced logging by way of the command line without affecting any `sip-advanced-logging` that is enabled by way of the Configure Mode.

- From the AdvancedLogging.lua SPL-plugin, run the `spl stop advanced-logging` command.

## Disable Advanced Logging - Configure Mode

Confirm that Advanced Logging is enabled in Configure Mode.

To disable Advanced Logging in Configure Mode, clear all of the settings for `sip-advanced-logging` and `advanced-log-condition`. Disabling Advanced Logging in Configure Mode does not affect Advanced Logging that is enabled from the command line.

1. From Configure Mode, go to `session-router > sip-advanced-logging` and clear the following information.
  - Name
  - Level
  - Scope
  - Matches-per-window
  - Window-size
  - Conditions
2. From Configure Mode, go to `session-router > sip-advanced-logging > advanced-log-condition` and clear the following information.
  - Match-type
  - Match-value

3. Exit, save, and activate.

## Clear Advanced Logging Criteria - Command Line

Use this procedure to clear the advanced logging conditions that were configured from the command line. This procedure clears all conditions and returns the system to the default state, in which all requests are matched.

- From the AdvancedLogging.lua SPL-plugin, run the `spl set sip advanced-logging clear-matching` command.

## View Advanced Logging Status - Command Line

View the status of advanced logging to see its state, configuration criteria, and count data.

Procedure

- From the AdvancedLogging.lua SPL-plugin, run the `spl show sip advanced-logging` command.

The system displays the following information.

- State
- Log Label
- Rate Limit
- Matching Criteria
- Match Count
- Logged Count

## TCP Connection Tools

Transmission Control Protocol (TCP) connection tools can assist you in gauging performance, identifying potential memory leaks, and debugging connections for performance tracking and improvement.

The **show ip tcp** command shows the following socket connections by state:

- inbound
- outbound
- listen
- IMS-AKA

The **show sipd tcp** and **show sipd tcp connections** commands display counters to track usage. Use the **reset sipd** command to reset the counters.



# Show Commands Related to VNF Deployments

## show datapath-config

This command displays the current DPDK-based settings for the datapath. The command has no arguments.

### Syntax

```
show datapath-config
```

### Output Example

As shown below, this command displays key core and memory configuration of the deployment. Exact output is dependent on your environment.

For example, you may or may not be using hyperthreading, which establishes physical vs. logical CPU considerations. Some hypervisors do not present physical and logical cores such that the SBC can differentiate between CPU types using uppercase and lowercase letters. In these conditions, the SBC displays all CPUs with uppercase letters. When supported by the platform, however, the SBC displays a second logical core of each physical core using lowercase lettering.

Bear in mind that the second, logical core of a physical core cannot be assigned to any DPDK function. The system automatically sets them to signaling.

A VM with 8 vCPUs and hyper-threading enabled assigns the pairing of the cores as follows:

- Cores (0,4)
- Cores (1,5)
- Cores (2,6)
- Cores (3,7)

```
NFV-1# show datapath-config
Number of cores assigned to VM: 8
  Current core assignment: S-F-D-X-s-s-s-s
    Requested Page size: 1 GB
    Current Page size: 2 MB
    Number of 1 GB pages: 0
    Number of 2 MB pages: 10
    Total system memory: 3841 MB
  Memory reserved for datapath: 1020 MB
  Memory requested for datapath: 2048 MB
```

---

Field	Description
Number of cores assigned to VM	The number of cores that this VM can use.

---

Field	Description
Current core assignment	The core assignment, based on function type: <ul style="list-style-type: none"> <li>• S - signaling</li> <li>• D - DoS</li> <li>• F - Forwarding</li> <li>• X - Transcoding</li> </ul> The position of the function indicates the core number.
Requested Page size	Configured page size.
Current Page size	Actual page size.
Number of 1 GB pages	Number of 1GB Hugepages allocated.
Number of 2 MB pages	Number of 1GB Hugepages allocated.
Total system memory	Total DPDK System Memory.
Memory reserved for datapath	Actual memory reserved for datapath.
Memory requested for datapath	Configured memory reserved for datapath.

## show platform limits

This command displays the current limits for a variety of operating capacities. The output of **show platform limits** is based on the platform this command is executed from and the software version running. The command has no arguments.

### Syntax

Sample output is displayed below.

```
ORACLE# show platform limits
Maximum number of sessions:3000
Maximum number of ACLS: 60000
Maximum number of common PAC buffers: 8000
Maximum number of kernel-rules: 216256
Maximum CPS rate: 300
Maximum number of TCP Connections: 60000
Maximum number of TLS Connections: 10
Maximum number of packet buffers: 30000
Maximum Signaling rate: 4000
Maximum number of session agents: 125
Maximum number of System ACLs: 256
Maximum number of VLANs: 4096
Maximum number of ARPs: 4104
Maximum number of INTFC Flows: 4096
Maximum number of Static Trusted Entries: 8192
Maximum number of Untrusted Entries: 4096
Maximum number of Media Entries: 6000
Maximum number of Deny Entries: 8192
Maximum number of Internal Flows: 32
Maximum number of Sip Rec Sessions: 512
Maximum number of RFC 2833 Flows: 6000
Maximum number of SRTP Sessions: 500
Maximum number of QoS Sessions: 3000
Maximum number of Xcoded Sessions: 100
Maximum number of HMU Flows: 6000
```

Maximum number of Transport Sessions: 0  
 Maximum number of MSRP Sessions: 0  
 Maximum number of SLB Tunnels: 0  
 Maximum number of SLB Endpoints: 0  
 Maximum number of IPSec SAs: 0  
 Maximum Licensed Capacity: 256000

## SNMP MIBs and Traps Related to VNF Deployments

The following MIBs and traps are supported for the Oracle® Enterprise Session Border Controller. Please consult the *MIB Reference Guide* for more SNMP information.

### apUsbcSysDPDKObjects

This group of objects, found in the `ap-usbcsys.mib`, provide a listing of DPDK statistics.

MIB Object	Object ID: 1.3.6.1.4.1.9148.3.17.1.1.13 +	Description
apUsbcSysDPDKFwdPurpose	.1	A bitset representing Forwarding cores. 1s represent forwarding cores, while 0s represent non-forwarding cores.
apUsbcSysDPDKDOSPurpose	.2	A bitset representing DoS cores. Bits set to 1 represent DoS cores, while 0s represent non-DoS cores.
apUsbcSysDPDKSigPurpose	.3	A bitset representing signaling cores. Bits set to 1 represent signaling cores, while 0s represent non-signaling cores.
apUsbcSysDPDKTransPurpose	.4	A bitset representing transcoding Cores. Bits set to 1 represent transcoding cores, while 0s represent non-transcoding cores.
apUsbcSysDPDKCmdLine	.5	System CmdLine string - as defined in <code>/proc/cmdline</code> . (including relevant bootparams.)
apUsbcSysDPDKFileMem	.6	Total DPDK File Memory.
apUsbcSysDPDKSysMem	.7	Total DPDK System Memory
apUsbcSysDPDKNum1G	.8	Number of 1GB Hugepages allocated.
apUsbcSysDPDKNum2MB	.9	Number of 2MB hugepages allocated.
apUsbcSysDPDKHypervisorType	.10	The description regarding the system type and what hypervisor the system is running on (OVM, KVM, VMWare,...).

MIB Object	Object ID: 1.3.6.1.4.1.9148.3.17.1.1.13 +	Description
apUsbcSysDPDKAddFwdCores	.11	Number of additional cores that may be used for forwarding.
apUsbcSysDPDKAddSigCores	.12	Number of additional cores that may be used for signaling.
apUsbcSysDPDKAddTransCores	.13	Number of additional cores that may be used for transcoding.

## apUsbcSysScalingObjects

This group of objects, found in the `ap-usbcSys.mib`, provide a listing of objects relating to scaling VMs.

MIB Object	Object ID: 1.3.6.1.4.1.9148.3.17.1.1.12+	Description
apUsbcSysEstSessions	.1	Estimated number of unencrypted media sessions.
apUsbcSysEstG711G729Trans	.2	Estimated number of G711<->G729 transcoded media sessions.
apUsbcSysEstSigTPS	.3	Estimated number of signaling TPS.
apUsbcSysEstACLs	.4	Estimated number of ACLs.
apUsbcSysEstTCP	.5	Estimated number of TCP connections.
apUsbcSysEstTLS	.6	Estimated number of TLS connections.
apUsbcSysEstVLANs	.7	Estimated number of VLANs.

## Log Files for the VNF

The following log files capture log messaging related to VNF:

- `log.usdp` - Contains DPDK processing log messages.
- `log.usdpClient` - Contains log messages related to overall system.

Refer to Oracle Support personnel for details on working with these files and their content.

# A

## SIP Compatibility Options

The Oracle® Enterprise Session Border Controller (E-SBC) addresses a wide array of functions that address the need to adapt SIP signaling disparities between UACs, UASs, proxies, softswitches and standards. Many of these functions are primary features of the E-SBC. But many support limited or customer-specific use cases. For the latter, Oracle often develops element options. These options are not visible in the ACLI help or documented in the *ACLI Reference Guide*, due to their limited scope.

This appendix documents many of those options, limiting the presentation to the users with deployments that need them. Be sure you fully understand the ramifications of these configurations as they are intended to target a specific segment of E-SBC deployments and may not be appropriate for your environment.

### Ensuring Telephone Event Negotiation within Delayed Media and Conflicting Configurations

In some call flows, the Oracle® Enterprise Session Border Controller (E-SBC) may stop including telephone events (101) in SIP responses sent to the calling UAC, including 180 and 200 OK messages. These cases typically include early or late media and additional configuration on the interface. You can configure the **sip-interface** with the **add-sdp-baseBehavior** option to ensure telephone event support for these cases without having to change other configuration.

A common, applicable call flow involves a delayed-offer INVITE, where the SDP is not present in the initial INVITE request from the calling UAC. In these cases, the configuration of the **sip-interface** facing the caller typically includes:

- **add-sdp-invite** within a related profile,
- **rfc2833-mode** set to **transparent**, and possibly
- transcoding configuration.

The E-SBC adds SDP based on the **add-sdp-invite** configuration. It begins call setup and subsequently receives 180 and 200 OK messages from the UAS that include a media offering, such as 0, 101. The conflicting configuration causes the E-SBC to not forward the 101 to the caller.

To mitigate against this behavior, configure the caller's **sip-interface** with the **add-sdp-baseBehavior** option.

```
ORACLE(sip-config)# options + add-sdp-baseBehavior
```

### Accommodating m=line Omissions During Call Setup

The Oracle® Enterprise Session Border Controller (E-SBC) can accommodate for signaling from non-compliant endpoints that omit mlines during SDP negotiation. You

can configure the **fix-missing-mlines** option in **sip-interface** to make the E-SBC allow the call to proceed despite the missing lines.

In SDP, an M line specifies the media endpoints are negotiating for a call. To complete the negotiation, the answer should contain exactly the same number of m= lines as the offer, as specified by RFC 3264. This allows for streams to be matched up based on their order. For example, if an SDP offer contains two m= lines, the answer should also contain two m= lines.

When processing an answer the E-SBC normally checks the offer/answer pair to ensure the same number of media descriptors are present in the offer and answer SDPs. To work around the non-compliant endpoint, you can enable the **fix-missing-mlines** option under the **media-manager** configuration. The **fix-missing-mlines** option removes this check.

The syntax for enabling the **fix-missing-mlines** option in **sip-interface** follows.

```
ORACLE(sip-interface)# options + fix-missing-mlines=yes
```

## Ensuring Compliant SDP Management for P-Early Media Call Flows

In some call flows, the Oracle® Enterprise Session Border Controller (E-SBC) erroneously inserts SDP into messaging that was already set up for P-Early Media (PEM), causing unexpected media behavior. You can configure the **sip-config** with the **strip-restored-sdp** option to prevent this insertion under certain conditions and avoid subsequent signaling conflicts.

The E-SBC complies with RFC 5009 to support PEM management of media for all modes and directions. The E-SBC also includes a function wherein it stores SDP from early dialog messages so it can insert that SDP into subsequent signaling. It does this to maintain continuity for those sessions' media. Within some PEM sequences, however, the E-SBC updates the media flow with directions from the p-early-media header even without SDP in the message.

Problem behaviors avoided by configuring the **sip-config** with the **strip-restored-sdp** option include:

- If an incoming response includes a 18x and has a PEM header with the valid attribute **P-Early-Media:inactive**, even if there is no SDP body, the E-SBC default behavior restores the previously received SDP and updates the media flow based on the value of the restored PEM header causing conflicts with the new PEM header.
- If a final response to an INVITE arrives without SDP, and if the state of early media is not **sendrecv** due to a of previously received PEM header, the E-SBC default behavior creates a 1-way MBCD flow by restoring the previously received SDP, resulting in 1-way audio.

For these examples, the E-SBC needs to remove the restored SDP before it forwards the message. To remove this SDP in the cases described above, configure the **sip-config** with the **strip-restored-sdp** option using the following syntax.

```
ORACLE(sip-config)# options + strip-restored-sdp
```

Be careful to consider all the consequences of this configuration prior to deployment as it generates a global change.