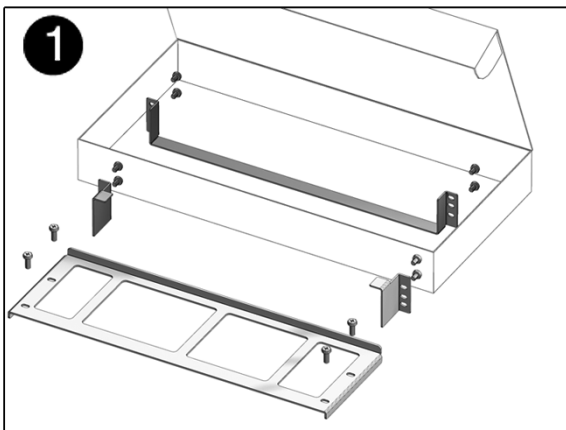


Installing Shipping Brackets on a Sun Rack 1000 or Sun Rack II for a Sun Blade 6000 Modular System

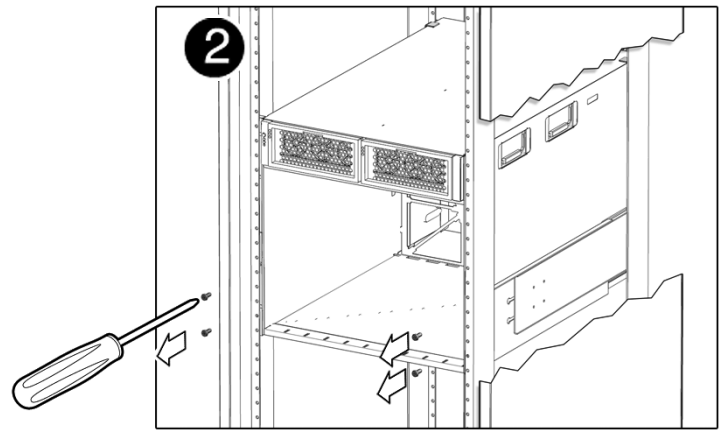
This document describes how to install shipping brackets for the Sun Blade 6000 chassis when shipping the system with server modules installed in a Sun Rack 1000 or Sun Rack II. One shipping bracket kit is included with each Sun Blade 6000 modular system. The size of screws included in the kit might vary, depending on the version of the kit. See Step 1 for details.

NOTE: If you have received systems with the shipping brackets installed on the rack, you need to remove the front shipping bracket before operating the system, and replace the M6 25 mm (or 18 mm) screws back into the front of the system.

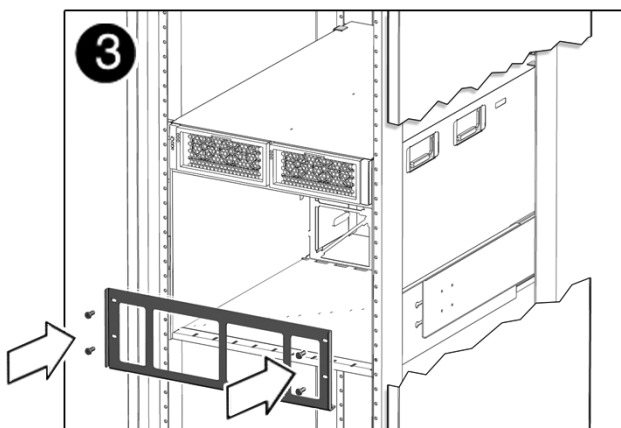


Unpack the following from the Sun Blade 6000 system kit:

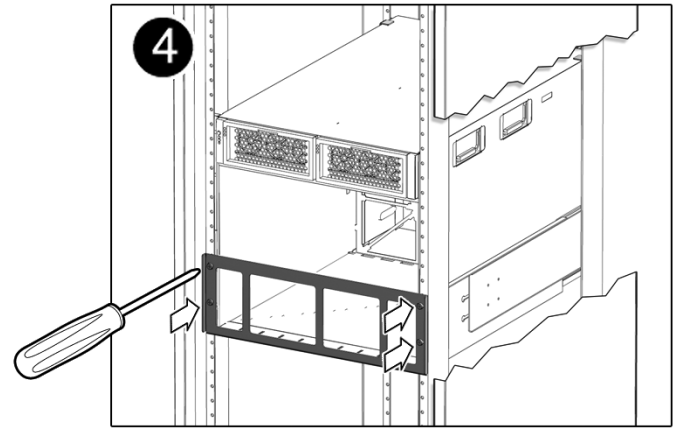
- 4x shipping brackets
- For kit 371-3610-02: 4x 18 mm M6 screws
- For kit 371-3610-03: 4x 25 mm M6 screws
- 8x 14 mm M6 screws



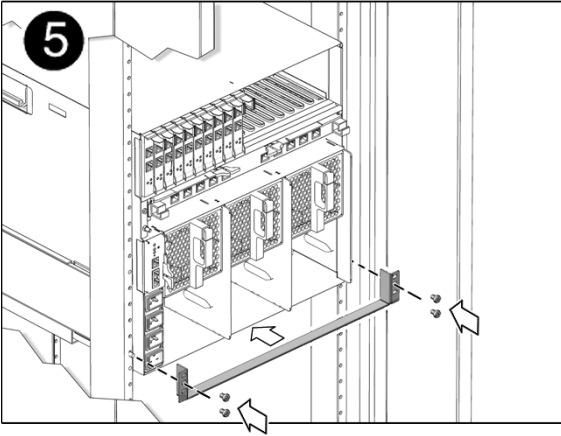
At the front of the system, remove the bottom four screws that fasten the chassis to the rack.



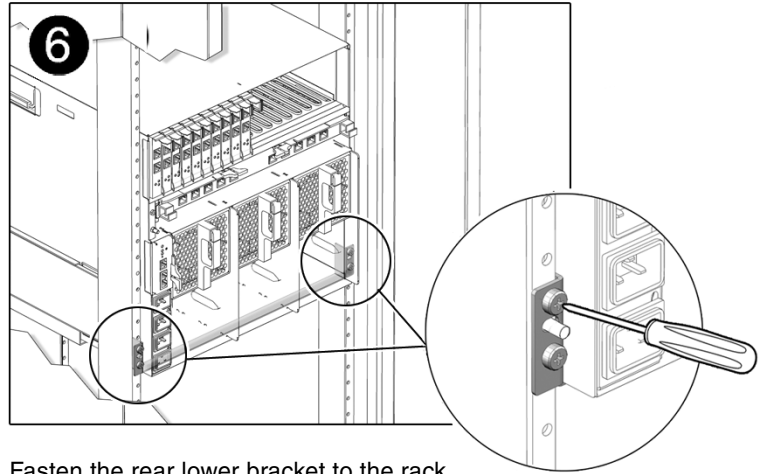
Place the front support bracket into the lower front of the chassis so that the bottom edge of the bracket fits under the chassis and the front of the bracket is flush with the chassis.



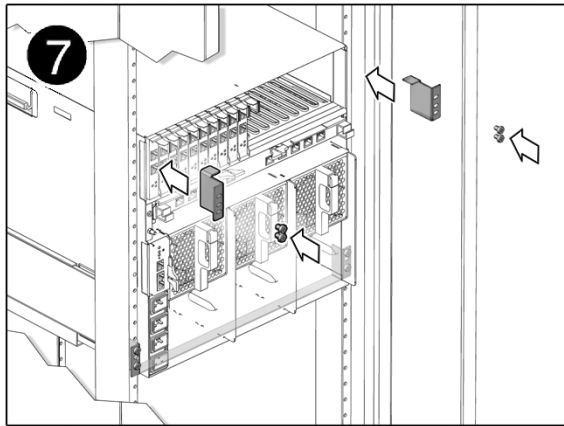
Fasten the front shipping bracket with four 25 mm (or 18 mm) screws. These can be reused to fasten the chassis to the rack when this bracket is later removed.



Attach the lower rear bracket so that the lower edge slides under the bottom of the chassis and the middle holes on each side of the bracket fit over the screws protruding from the rack.

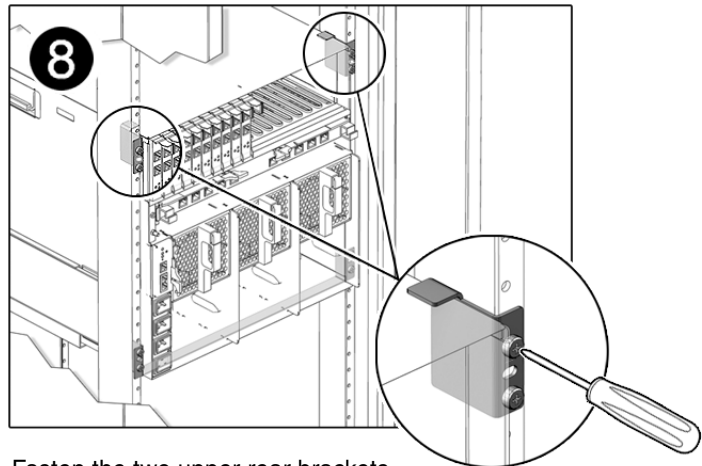


Fasten the rear lower bracket to the rack using four 14 mm M6 screws.



Place the two upper brackets at the top corners of the rear of the chassis.

Note: If a device is mounted above the chassis, that device might need to be adjusted to create space for these brackets.



Fasten the two upper rear brackets to the rack using four 14 mm M6 screws. Place the screws in the two outside holes of the bracket, and leave the middle hole empty.

Repeat Steps 1 to 8 for each chassis.

Copyright ©2007, 2011, Oracle and/or its affiliates. All rights reserved.
Copyright ©2007, 2011, Oracle et/ou ses affiliés. Tous droits réservés.

